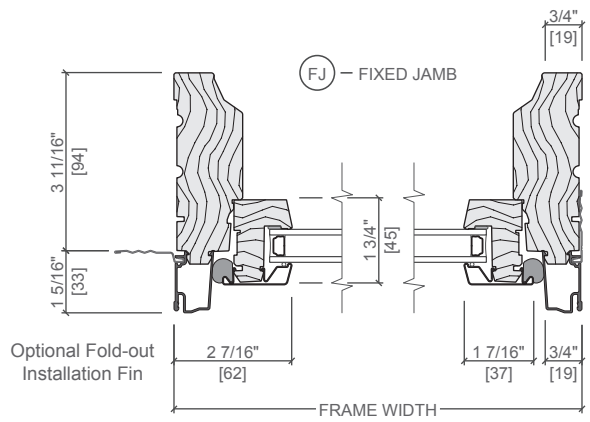
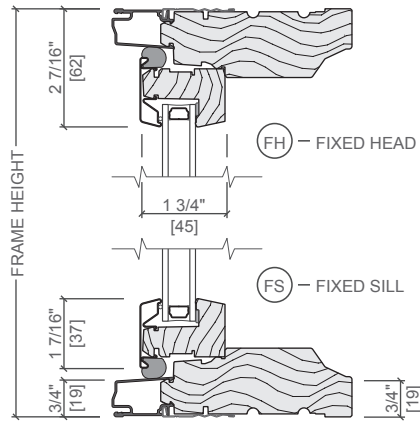
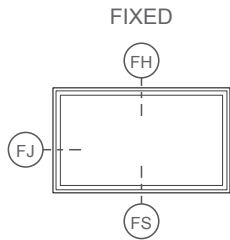
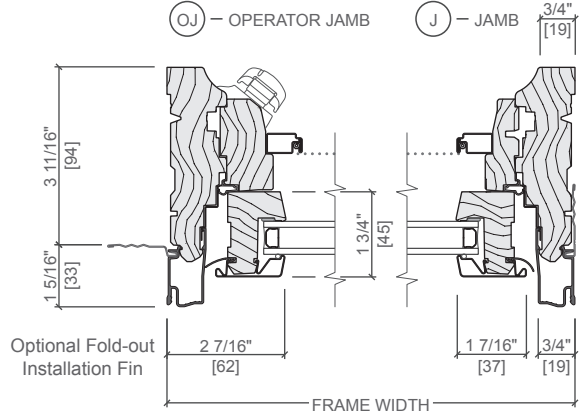
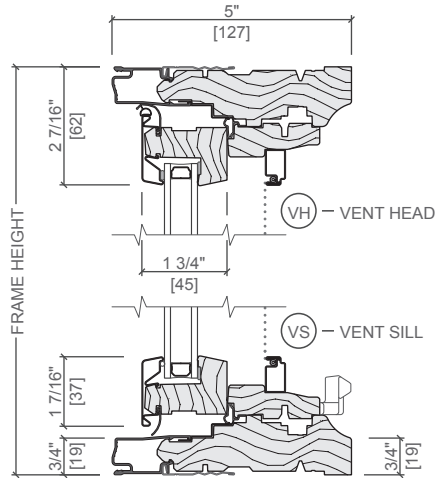
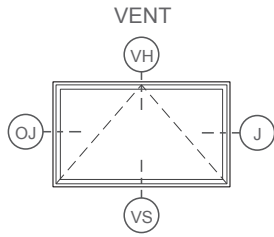
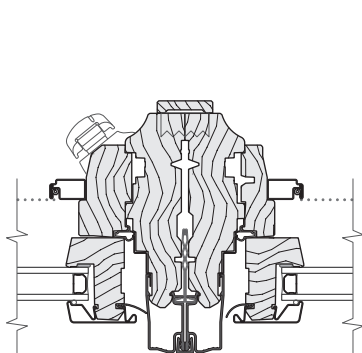


AWNING

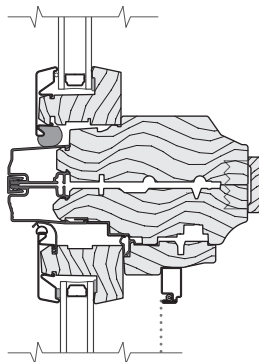
UNIT SECTIONS Aluminum-Clad Exterior



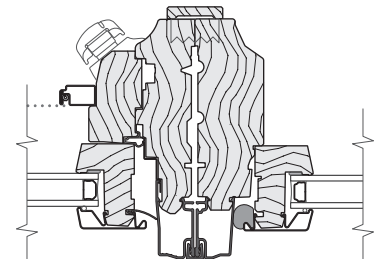
TYPICAL JOINING MULLIONS



VERTICAL JOINING MULLION
VENT / VENT



HORIZONTAL JOINING MULLION
FIXED / VENT



VERTICAL JOINING MULLION
VENT / FIXED

Scale 3" = 1' 0"
All dimensions are approximate.
See www.PellaADM.com for mullion limitations and reinforcing requirements.