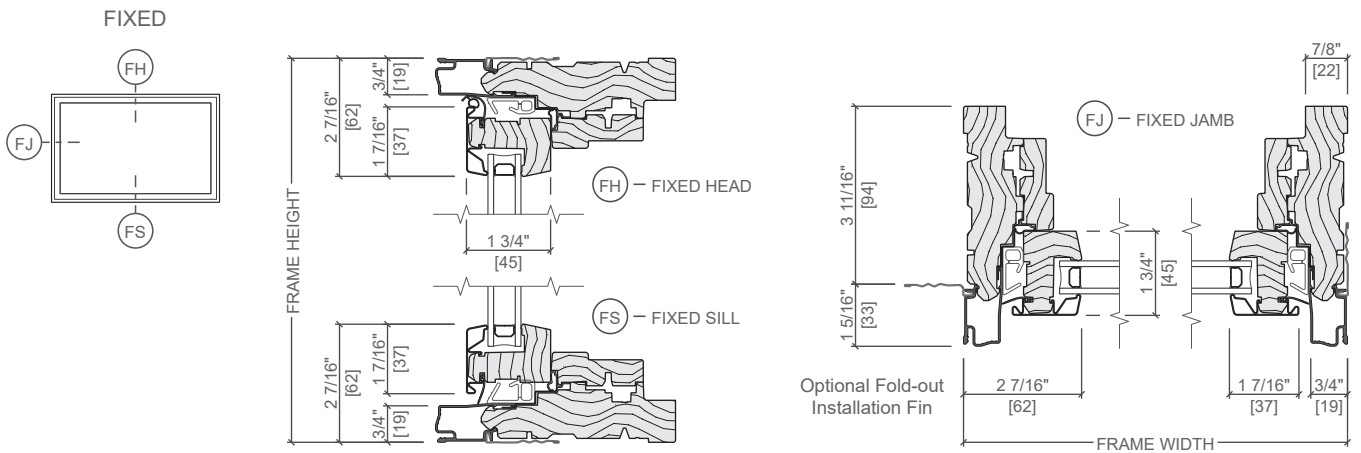
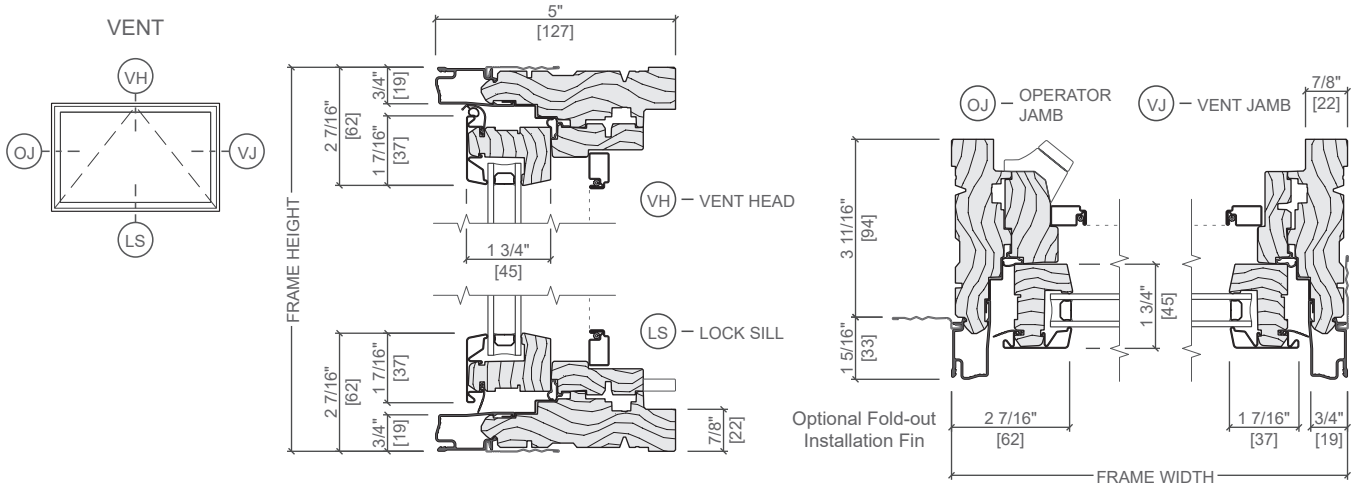
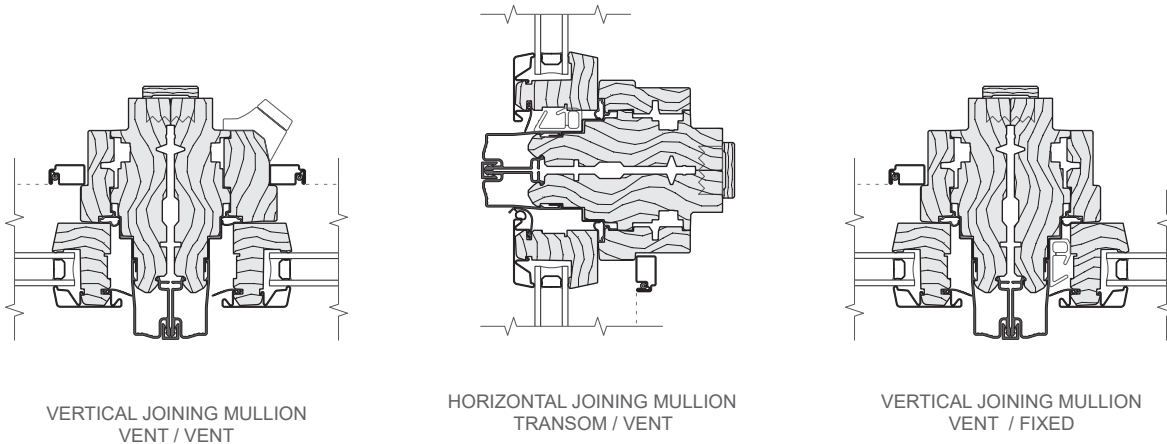


Awning

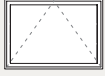
UNIT SECTIONS  
Aluminum-Clad Exterior



TYPICAL JOINING MULLIONS

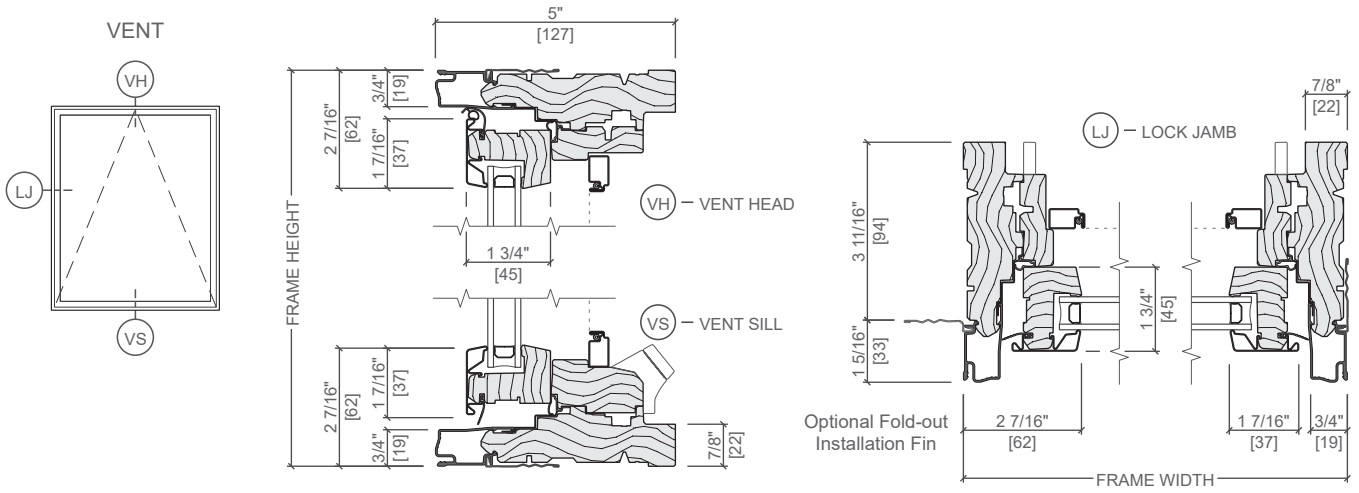


Scale 3" = 1' 0"  
All dimensions are approximate.  
See [www.PellaADM.com](http://www.PellaADM.com) for mullion limitations and reinforcing requirements.



Awning

**UNIT SECTIONS**  
 Aluminum-Clad Exterior  
 Large Awning



Scale 3" = 1' 0"  
 All dimensions are approximate.  
 See [www.PellaADM.com](http://www.PellaADM.com) for mullion limitations and reinforcing requirements.