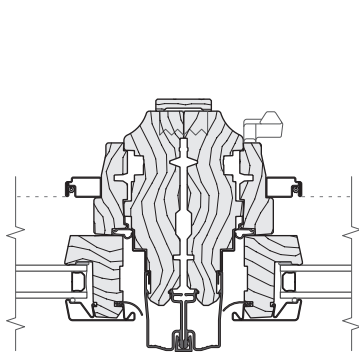
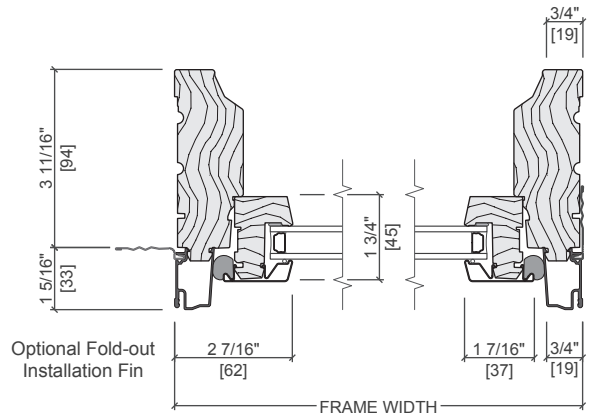
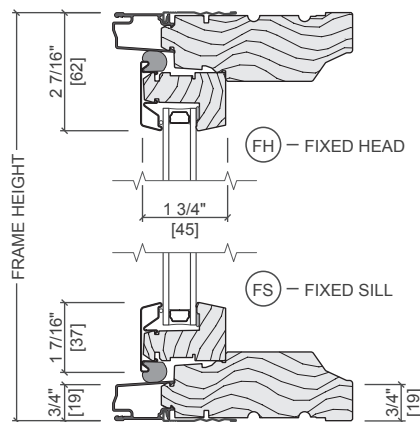
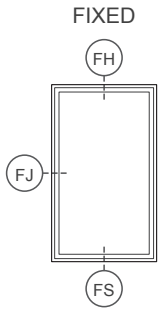
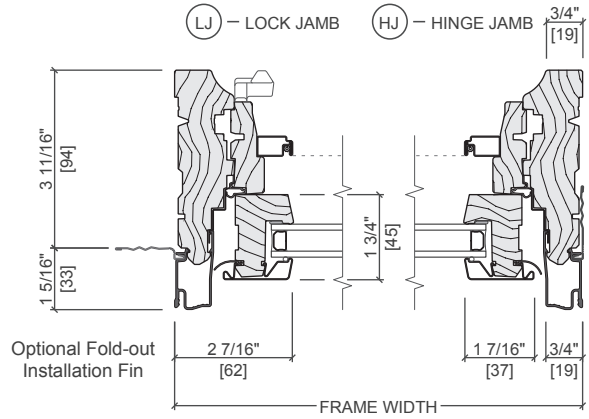
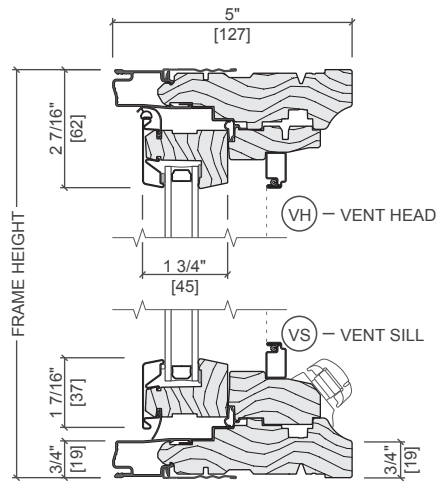
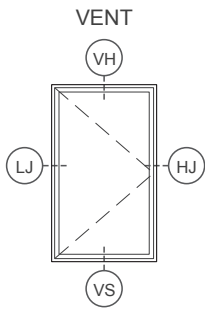


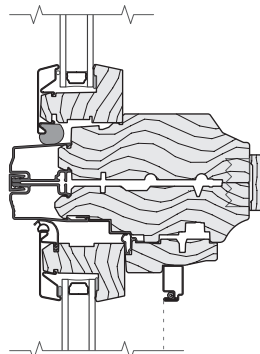


# Lifestyle Series Casement

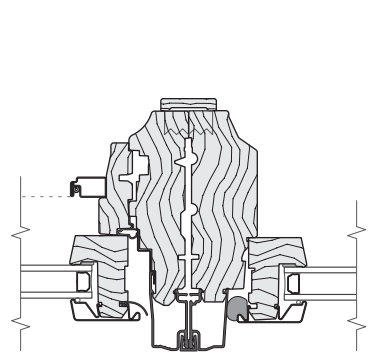
## Unit Sections - Dual Pane



VERTICAL JOINING MULLION  
VENT / VENT



HORIZONTAL JOINING MULLION  
FIXED / VENT



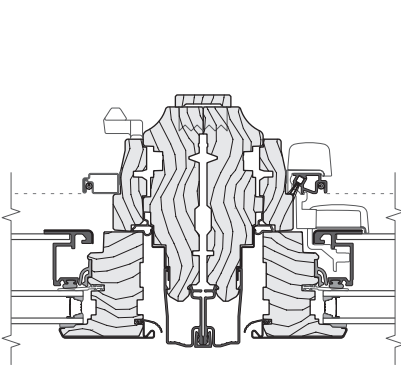
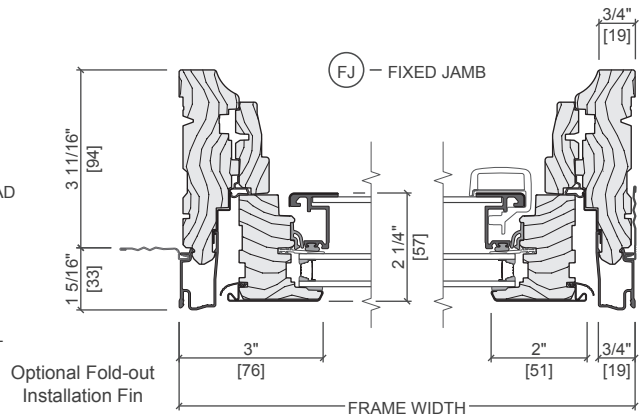
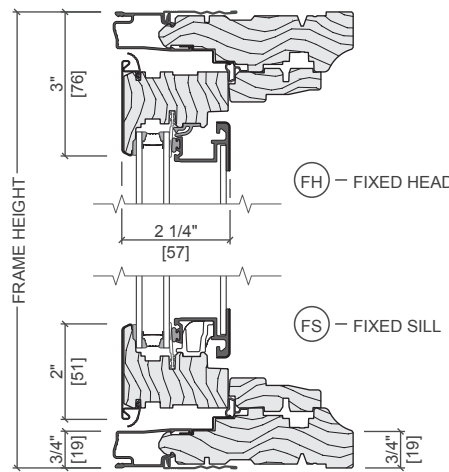
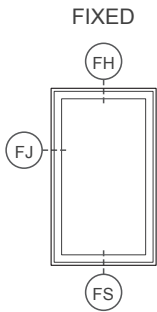
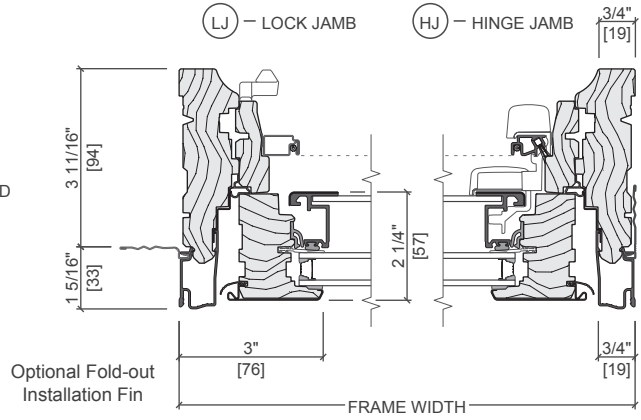
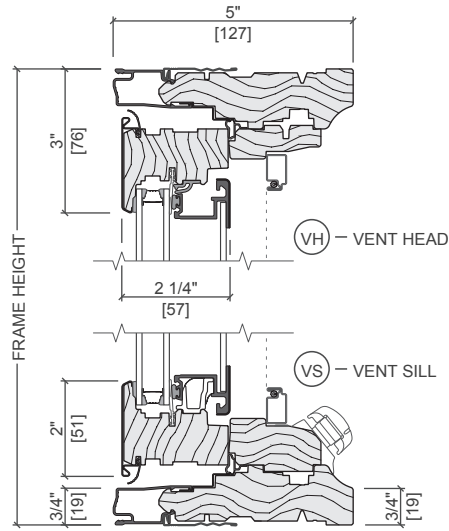
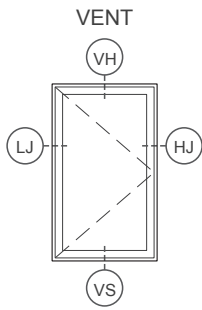
VERTICAL JOINING MULLION  
VENT / FIXED

Scale 3" = 1' 0"  
All dimensions are approximate.  
See [www.PellaADM.com](http://www.PellaADM.com) for mullion limitations and reinforcing requirements.

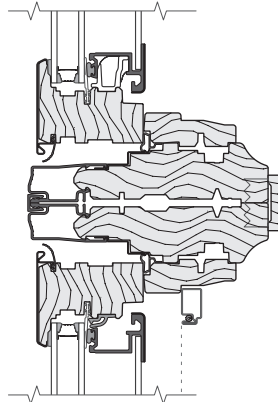


# Lifestyle Series Casement

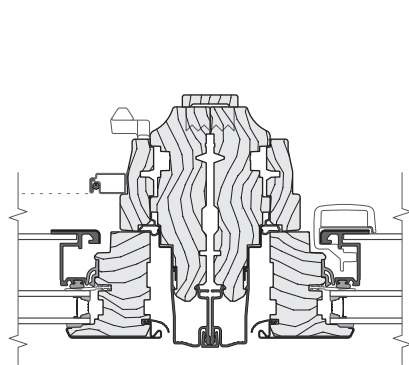
## Unit Sections - Triple Pane



VERTICAL JOINING MULLION  
VENT / VENT



HORIZONTAL JOINING MULLION  
TRANSOM / VENT



VERTICAL JOINING MULLION  
VENT / FIXED

Scale 3" = 1' 0"

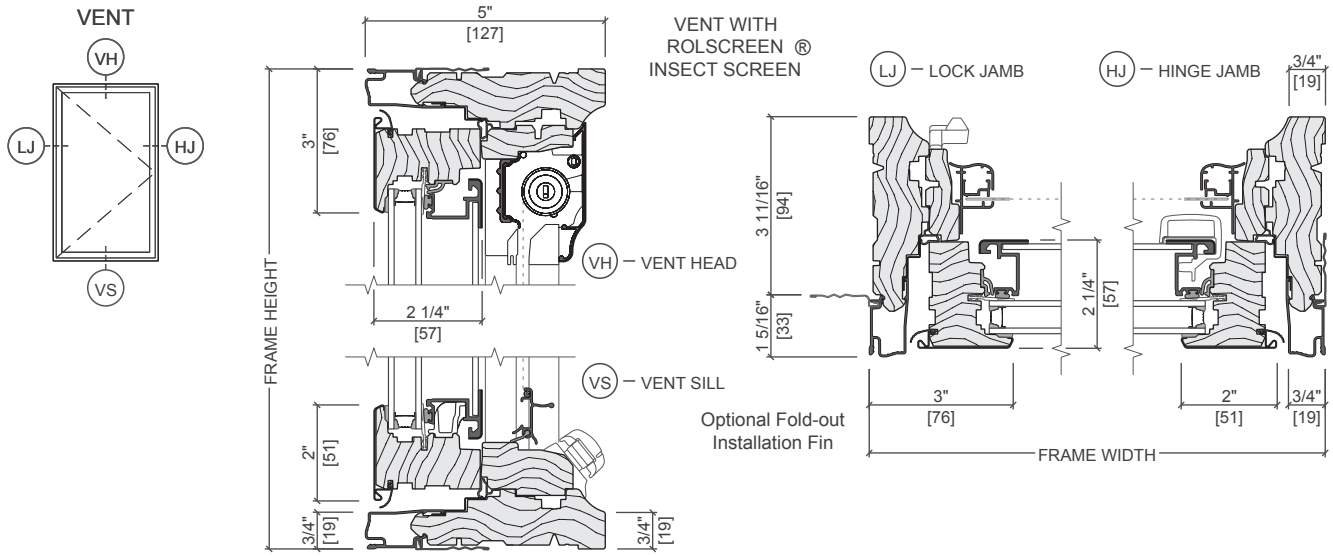
All dimensions are approximate.

See [www.PellaADM.com](http://www.PellaADM.com) for mullion limitations and reinforcing requirements.



# Lifestyle Series Casement

## Unit Sections - Triple Pane



Scale 3" = 1' 0"  
 All dimensions are approximate.  
 See [www.PellaADM.com](http://www.PellaADM.com) for mullion limitations and reinforcing requirements.