



IN-SWING DOOR

SIZE TABLES

Aluminum-Clad Exterior

6'7-1/2"



6' 7" Single Doors and Sidelight

	(476) (457)	(664) (645)	(781) (762)	(870) (851)	(933) (914)	(981) (962)
Opening	1' 6 3/4"	2' 2 1/8"	2' 6 3/4"	2' 10 1/4"	3' 0 3/4"	3' 2 5/8"
Frame	1' 6"	2' 1 3/8"	2' 6"	2' 9 1/2"	3' 0"	3' 1 7/8"

(2 032) (2 019)	6' 8"	6' 7 1/2"						
			SIDELIGHT 1880	LEFT 2680	LEFT 3080	LEFT 3480	LEFT 3680	LEFT 3880

6' 7" Double Doors Fixed-Active

	(1 289) (1 270)	(1 524) (1 505)	(1 702) (1 682)	(1 829) (1 810)	(1 924) (1 905)
Opening	4' 2 3/4"	5' 0"	5' 7"	6' 0"	6' 3 3/4"
Frame	4' 2"	4' 11 1/4"	5' 6 1/4"	5' 11 1/4"	6' 3"

(2 032) (2 019)	6' 8"	6' 7 1/2"					
			FIXED-ACTIVE 5080	FIXED-ACTIVE 6080	FIXED-ACTIVE 6780	FIXED-ACTIVE 7280	FIXED-ACTIVE 7580

6' 7" Double Doors Active-Passive

	(1 289) (1 270)	(1 524) (1 505)	(1 702) (1 682)	(1 829) (1 810)	(1 924) (1 905)
Opening	4' 2 3/4"	5' 0"	5' 7"	6' 0"	6' 3 3/4"
Frame	4' 2"	4' 11 1/4"	5' 6 1/4"	5' 11 1/4"	6' 3"

(2 032) (2 019)	6' 8"	6' 7 1/2"					
			ACTIVE-PASSIVE 5080	ACTIVE-PASSIVE 6080	ACTIVE-PASSIVE 6780	ACTIVE-PASSIVE 7280	ACTIVE-PASSIVE 7580

Not to scale.

Traditional grille patterns shown. Refer to Clad/Wood Overview section for additional patterns and profiles.

All doors and sidelights are glazed with tempered glass.

Left-hand single doors shown, right-hand and fixed also available.

For Wood Units Only:

To determine masonry dimensions when using Pella 1-7/8" brickmould, add 1-5/8" to frame height and 3-1/8" to frame width. When using Pella 3-1/2" brickmould, add 6-3/8" to frame width and 3-1/4" to frame height.









IN-SWING DOOR

SIZE TABLES
Aluminum-Clad Exterior
6'10"



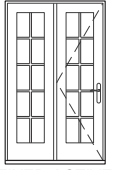
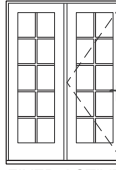
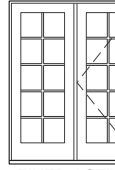
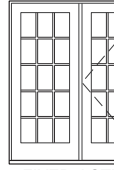
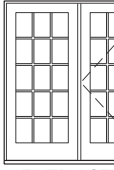
6' 10" Single Doors and Sidelight

	(476) (457)	(664) (645)	(781) (762)	(870) (851)	(933) (914)	(981) (962)
Opening	1' 6 3/4"	2' 2 1/8"	2' 6 3/4"	2' 10 1/4"	3' 0 3/4"	3' 2 5/8"
Frame	1' 6"	2' 1 3/8"	2' 6"	2' 9 1/2"	3' 0"	3' 1 7/8"

(2 083) (2 070)	6' 10"	6' 9 1/2"						
			SIDELIGHT 1882	LEFT 2682	LEFT 3082	LEFT 3482	LEFT 3682	LEFT 3882

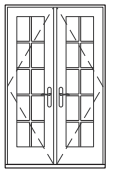
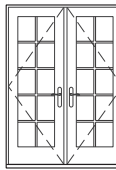
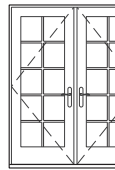
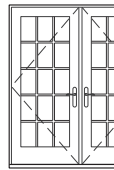
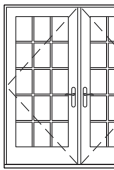
6' 10" Double-Swing Doors Fixed-Active

	(1 289) (1 270)	(1 524) (1 505)	(1 702) (1 682)	(1 829) (1 810)	(1 924) (1 905)
Opening	4' 2 3/4"	5' 0"	5' 7"	6' 0"	6' 3 3/4"
Frame	4' 2"	4' 11 1/4"	5' 6 1/4"	5' 11 1/4"	6' 3"

(2 083) (2 070)	6' 10"	6' 9 1/2"					
			FIXED-ACTIVE 5082	FIXED-ACTIVE 6082	FIXED-ACTIVE 6782	FIXED-ACTIVE 7282	FIXED-ACTIVE 7582

6' 10" Double Doors Active-Passive

	(1 289) (1 270)	(1 524) (1 505)	(1 702) (1 682)	(1 829) (1 810)	(1 924) (1 905)
Opening	4' 2 3/4"	5' 0"	5' 7"	6' 0"	6' 3 3/4"
Frame	4' 2"	4' 11 1/4"	5' 6 1/4"	5' 11 1/4"	6' 3"

(2 083) (2 070)	6' 10"	6' 9 1/2"					
			ACTIVE-PASSIVE 5082	ACTIVE-PASSIVE 6082	ACTIVE-PASSIVE 6782	ACTIVE-PASSIVE 7282	ACTIVE-PASSIVE 7582

Not to scale.
Traditional grille patterns shown. Refer to Clad/Wood Overview section for additional patterns and profiles.
All doors and sidelights are glazed with tempered glass.
Left-hand single doors shown, right-hand and fixed also available.

For Wood Units Only:
To determine masonry dimensions when using Pella 1-7/8" brickmould, add 1-5/8" to frame height and 3-1/8" to frame width. When using Pella 3-1/2" brickmould, add 6-3/8" to frame width and 3-1/4" to frame height.



IN-SWING DOOR

SIZE TABLES

Aluminum-Clad Exterior

7'2"



7' 2" Single Doors and Sidelight

	(476) (457)	(664) (645)	(781) (762)	(870) (851)	(933) (914)	(981) (962)
Opening	1' 6 3/4"	2' 2 1/8"	2' 6 3/4"	2' 10 1/4"	3' 0 3/4"	3' 2 5/8"
Frame	1' 6"	2' 1 3/8"	2' 6"	2' 9 1/2"	3' 0"	3' 1 7/8"
(2 197) (2 184)	7' 2 1/2"					
	7' 2"					
	SIDELIGHT 1886	LEFT 2686	LEFT 3086	LEFT 3486	LEFT 3686	LEFT 3886

7' 2" Double-Swing Doors Fixed-Active

	(1 289) (1 270)	(1 524) (1 505)	(1 702) (1 682)	(1 829) (1 810)	(1 924) (1 905)
Opening	4' 2 3/4"	5' 0"	5' 7"	6' 0"	6' 3 3/4"
Frame	4' 2"	4' 11 1/4"	5' 6 1/4"	5' 11 1/4"	6' 3"
(2 197) (2 184)	7' 2 1/2"				
	7' 2"				
	FIXED-ACTIVE 5086	FIXED-ACTIVE 6086	FIXED-ACTIVE 6786	FIXED-ACTIVE 7286	FIXED-ACTIVE 7586

7' 2" Double Doors Active-Passive

	(1 289) (1 270)	(1 524) (1 505)	(1 702) (1 682)	(1 829) (1 810)	(1 924) (1 905)
Opening	4' 2 3/4"	5' 0"	5' 7"	6' 0"	6' 3 3/4"
Frame	4' 2"	4' 11 1/4"	5' 6 1/4"	5' 11 1/4"	6' 3"
(2 197) (2 184)	7' 2 1/2"				
	7' 2"				
	ACTIVE-PASSIVE 5086	ACTIVE-PASSIVE 6086	ACTIVE-PASSIVE 6786	ACTIVE-PASSIVE 7286	ACTIVE-PASSIVE 7586

Not to scale.

Traditional grille patterns shown. Refer to Clad/Wood Overview section for additional patterns and profiles.

All doors and sidelights are glazed with tempered glass.

Left-hand single doors shown, right-hand and fixed also available.

For Wood Units Only:

To determine masonry dimensions when using Pella 1-7/8" brickmould, add 1-5/8" to frame height and 3-1/8" to frame width. When using Pella 3-1/2" brickmould, add 6-3/8" to frame width and 3-1/4" to frame height.



IN-SWING DOOR

SIZE TABLES

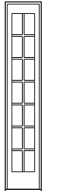
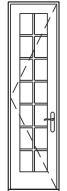
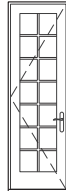
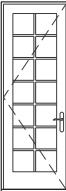
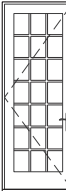
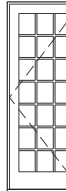
Aluminum-Clad Exterior

8' 0"



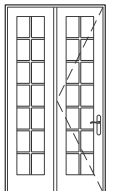
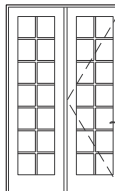
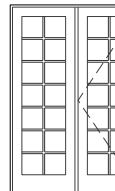
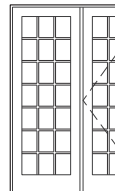
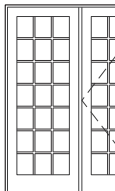
8' 0" Single Doors and Sidelight

	(476) (457)	(664) (645)	(781) (762)	(870) (851)	(933) (914)	(981) (962)
Opening	1' 6 3/4"	2' 2 1/8"	2' 6 3/4"	2' 10 1/4"	3' 0 3/4"	3' 2 5/8"
Frame	1' 6"	2' 1 3/8"	2' 6"	2' 9 1/2"	3' 0"	3' 1 7/8"

(2 438) (2 426)	8' 0"	7' 11 1/2"						
			SIDELIGHT 1896	LEFT 2696	LEFT 3096	LEFT 3496	LEFT 3696	LEFT 3896

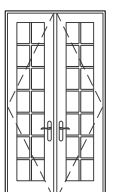
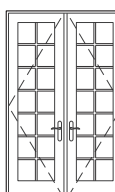
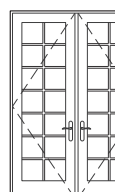
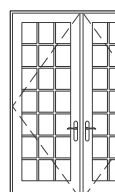
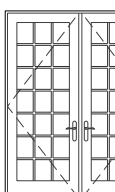
8' 0" Double-Swing Doors Fixed-Active

	(1 289) (1 270)	(1 524) (1 505)	(1 702) (1 682)	(1 829) (1 810)	(1 924) (1 905)
Opening	4' 2 3/4"	5' 0"	5' 7"	6' 0"	6' 3 3/4"
Frame	4' 2"	4' 11 1/4"	5' 6 1/4"	5' 11 1/4"	6' 3"

(2 438) (2 426)	8' 0"	7' 11 1/2"					
			FIXED-ACTIVE 5096	FIXED-ACTIVE 6096	FIXED-ACTIVE 6796	FIXED-ACTIVE 7296	FIXED-ACTIVE 7596

8' 0" Double Doors Active-Passive

	(1 289) (1 270)	(1 524) (1 505)	(1 702) (1 682)	(1 829) (1 810)	(1 924) (1 905)
Opening	4' 2 3/4"	5' 0"	5' 7"	6' 0"	6' 3 3/4"
Frame	4' 2"	4' 11 1/4"	5' 6 1/4"	5' 11 1/4"	6' 3"

(2 438) (2 426)	8' 0"	7' 11 1/2"					
			ACTIVE-PASSIVE 5096	ACTIVE-PASSIVE 6096	ACTIVE-PASSIVE 6796	ACTIVE-PASSIVE 7296	ACTIVE-PASSIVE 7596

Not to scale.

Traditional grille patterns shown. Refer to Clad/Wood Overview section for additional patterns and profiles.

All doors and sidelights are glazed with tempered glass.

Left-hand single doors shown, right-hand and fixed also available.

For Wood Units Only:

To determine masonry dimensions when using Pella 1-7/8" brickmould, add 1-5/8" to frame height and 3-1/8" to frame width. When using Pella 3-1/2" brickmould, add 6-3/8" to frame width and 3-1/4" to frame height.



IN-SWING DOOR

SIZE TABLES

Aluminum-Clad Exterior

10' 0"



10' 0" Single Doors and Sidelight

	(664) (645)	(781) (762)	(870) (851)	(933) (914)	(981) (962)
Opening	2' 2 1/8"	2' 6 3/4"	2' 10 1/4"	3' 0 3/4"	3' 2 5/8"
Frame	2' 1 3/8"	2' 6"	2' 9 1/2"	3' 0"	3' 1 7/8"

(3 048) (3 035)	10' 0"	9' 11 1/2"					
			LEFT 26120	LEFT 30120	LEFT 34120	LEFT 36120	LEFT 38120

10' 0" Double Doors Active-Passive

	(1 289) (1 270)	(1 524) (1 505)	(1 702) (1 682)	(1 829) (1 810)	(1 924) (1 905)
Opening	4' 2 3/4"	5' 0"	5' 7"	6' 0"	6' 3 3/4"
Frame	4' 2"	4' 11 1/4"	5' 6 1/4"	5' 11 1/4"	6' 3"

(3 048) (3 035)	10' 0"	9' 11 1/2"					
			ACTIVE-PASSIVE 50120	ACTIVE-PASSIVE 60120	ACTIVE-PASSIVE 67120	ACTIVE-PASSIVE 72120	ACTIVE-PASSIVE 75120

Not to scale.

Traditional grille patterns shown. Refer to Clad/Wood Overview section for additional patterns and profiles.

All doors and sidelights are glazed with tempered glass.

Left-hand single doors shown, right-hand and fixed also available.

For Wood Units Only:

To determine masonry dimensions when using Pella 1-7/8" brickmould, add 1-5/8" to frame height and 3-1/8" to frame width. When using Pella 3-1/2" brickmould, add 6-3/8" to frame width and 3-1/4" to frame height.



IN-SWING DOOR

SIZE TABLES

Aluminum-Clad Exterior Transoms



Wide Stile Transoms for Single Doors

Opening	(664)	(781)	(870)	(933)	(981)
	(645)	(762)	(851)	(914)	(962)
2' 2 1/8"	2614	3014	3414	3614	3814
2' 6 3/4"	2617	3017	3417	3617	3817
2' 10 1/4"	2625	3025	3425	3625	3825
3' 0 3/4"					
3' 2 5/8"					

Wide Stile Transoms for Double-Swing Doors

(1 289)	(1 524)	(1 702)	(1 829)
(1 270)	(1 505)	(1 682)	(1 810)
4' 2 3/4"	5014	6014	7214
5' 0"	5017	6017	7217
5' 7"	5025	6025	7225
6' 0"			

Standard Stile Transoms for Single Doors

2614	3014	3414	3614	3814
2617	3017	3417	3617	3817
2625	3025	3425	3625	3825

Standard Stile Transoms for Double Doors

5014	6014	7214
5017	6017	7217
5025	6025	7225

Fixed Frame Direct Sets for Single Doors GBG Only

2614	3014	3414	3614	3814
2617	3017	3417	3617	3817
2625	3025	3425	3625	3825

Fixed Frame Direct Sets for Double Doors GBG Only

5014	6014	7214
5017	6017	7217
5025	6025	7225

Not to scale.

Tempered glass is standard.

Traditional grille patterns shown. Refer to Clad/Wood Overview section for additional patterns and profiles.

For Wood Units Only:

To determine masonry dimensions when using Pella 1-7/8" brickmould, add 1-5/8" to frame height and 3-1/8" to frame width. When using Pella 3-1/2" brickmould, add 6-3/8" to frame width and 3-1/4" to frame height.



IN-SWING DOOR

DESIGN DATA
Special Sizes
Miscellaneous Formulas



Special Size Frame Dimensions₁

DOOR TYPE	STANDARD DOORS				HURRICANESHIELD® PRODUCTS WITH IMPACT-RESISTANT GLASS ₂			
	FRAME WIDTH		FRAME HEIGHT		FRAME WIDTH		FRAME HEIGHT	
	Minimum	Maximum	Minimum	Maximum	Minimum	Maximum	Minimum	Maximum
TRANSOMS	25-3/8" (645)	75" (1 905)	14" (356)	25" (635)	25-3/8" (645)	75" (1 905)	14" (356)	25" (635)
SIDELIGHT (FIXED)	18" (457)	65" (457)	36" (914)	119-1/2" (3 035)	12" (305)	42" (1 067)	48" (1 219)	96" (2 438)
SINGLE DOORS	18" (457)	48" (1 219)	36" (914)	119-1/2" (3 035)	24" (610)	37-7/8" (962)	76-3/8" (1 940)	119-1/2" (3 035)
DOUBLE DOORS (AP-PA)	36" (914)	96" (2 438)	36" (914)	119-1/2" (3 035)	48" (1 219)	75" (1 905)	73-3/8" (1 864)	119-1/2" (3 035)
DOUBLE DOORS (AF-FA)	50" (1 270)	75" (1 905)	79-1/2" (2 019)	119-1/2" (3 035)	48" (1 219)	75" (1 905)	73-3/8" (1 864)	119-1/2" (3 035)

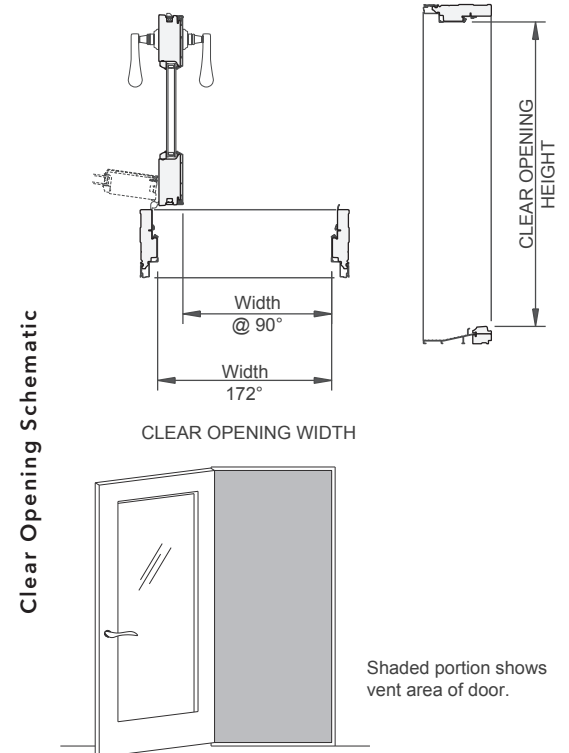
Hinged Door Screen Availability₂

DOOR TYPE	FRAME WIDTH		FRAME HEIGHT	
	Minimum	Maximum	Minimum	Maximum
SINGLE DOOR	24" (610)	42" (1 067)	71-1/4" (1 810)	98-1/8" (2 492)
DOUBLE DOOR	48" (1 219)	84" (2 134)	71-1/4" (1 810)	98-1/8" (2 492)

Miscellaneous Formulas

	VISIBLE GLASS		ACTUAL GLASS	
	WIDTH	HEIGHT	WIDTH	HEIGHT
TRANSOMS – FIXED FRAME DIRECT SET	FW - 3-1/4"	FH - 3-1/4"	FW - 2"	FH - 2"
TRANSOMS – FIXED CASEMENT	FW - 5-3/4"	FH - 5-3/4"	FW - 4-3/8"	FH - 4-3/8"
TRANSOMS – WIDE STILE CASEMENT	FW - 11-5/8"		FW - 10-1/4"	
SIDELIGHTS	FW - 6-5/8"	FH - 15-3/4"	FW - 5-5/8"	FH - 4-3/8"
SINGLE DOORS	FW - 11-5/8"		FW - 10-5/8"	
DOUBLE DOORS	FW - 11-5/8"		(FW/2) - 10-1/4"	

	CLAD AND WOOD	
	WIDTH	HEIGHT
CLEAR OPENING (@ 90°)	SINGLE DOOR	FW - 5-5/16"
	DOUBLE DOORS (ACTIVE/SINGLE PANEL)	(FW / 2) - 5"
	DOUBLE DOORS (BOTH PANELS)	FW - 7-1/2"
CLEAR OPENING (@ 172°)	SINGLE DOOR	FW - 3-3/16"
	DOUBLE DOORS (ACTIVE/SINGLE PANEL)	(FW / 2) - 2-13/16"
	DOUBLE DOORS (BOTH PANELS)	FW - 3"



FW = Frame Width, FH = Frame Height
(1) Available within size range shown.
(2) Rectangular Units Only

Keep frame dimensions to the nearest 1/8" increment.
To convert areas to square meters (m²), multiply square feet by 0.0929.