



Product Selection Guide

- Size and Performance Data CM-IR-2
 - Sound Transmission Class and Outdoor-Indoor Transmission Class..... CM-IR-2
- Glazing Performance CM-IR-3
- Combination Assemblies CM-IR-5
- Grille Types
 - Grille Profiles CM-IR-6
 - Typical Grille Patterns CM-IR-7
- Size Tables CM-IR-8
- Design Data—Vent and Fixed..... CM-IR-11
- Detailed Product Descriptions
 - Pella® Reserve™ Traditional..... CM-IR-17
 - Pella® Reserve™ Contemporary..... CM-IR-18
- Unit Sections
 - Pella® Reserve™ Traditional..... CM-IR-19
 - Pella® Reserve™ Contemporary..... CM-IR-20

Abbreviations:

P = Pending. Data not available at time of publication. Go to www.Pella.com for most current technical data.

PVB = Polyvinyl butyral. This is a laminate material used in Pella Impact-Resistant glazing and is the same material traditionally used in car windshield applications.

SGP = SentryGlas® Plus from DuPont®. This is a stiffer laminate material which is optional in select impact-resistant glazing products.

HA = High Altitude Glass.

SentryGlas Plus and DuPont are registered trademarks of E.I. du Pont de Nemours & Company.

Supporting documents for this product:

- CSI Specs (readable using Microsoft Word or other text editing application):
https://media.pella.com/professional/adm/Wood-CSI_Specs/08551-HIG.rtf
- AIA Masterspec (readable using Microsoft Word or other text editing application):
https://media.pella.com/professional/adm/Wood-CSI_Specs/Masterspec/085200_fl.doc
- Detailed Product Description (readable using Microsoft Word or other text editing application):
Pella Reserve Traditional: <https://media.pella.com/professional/adm/Clad-Wood/PR-ImpactResistant-Casement-C.rtf>
Pella Reserve Contemporary: <https://media.pella.com/professional/adm/Clad-Wood/PRC-Casement-C.rtf>
- Size Tables (requires appropriate CAD software to read and use):
https://media.pella.com/professional/adm/Clad-Wood/ASCCMEV_D.dwg
- CAD cross sections (requires appropriate CAD software to read and use):
Traditional: https://media.pella.com/professional/adm/Clad-Wood/PR-CM-Detail_D.dwg
Contemporary: https://media.pella.com/professional/adm/Clad-Wood/PRC-CM-Detail_D.dwg
- 3D & BIM (requires appropriate software to read and use):
<https://media.pella.com/professional/adm/RevitFiles/PR-Revit/Window-Casement-Pella-Reserve-Traditional.zip>
- Sketchup (requires appropriate software to read and use):
https://media.pella.com/professional/adm/Clad-Wood/PellaSKP_PellaReserve_Traditional_Casement.zip
- Installation Details:
https://media.pella.com/professional/adm/Clad-Wood/F_InstallationDetails.pdf

The information published in this document is believed to be accurate at the time of publication. However, because we are constantly working to improve our products, specifications are subject to change without notice. Consult your local Pella representative for up-to-date product information.

Microsoft and Microsoft Word are registered trademarks of Microsoft Corp.

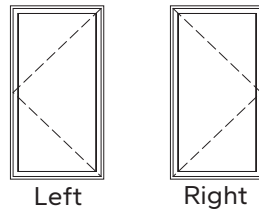


Pella® Reserve™ Impact-Resistant Casement Window

Size and Performance Data

	Clad
Sizes	
Standard Vent / Fixed Sizes	●
Standard Fixed Companion Sizes	●
Transom Sizes	●
Egress Sizes	●
Special Sizes Available	●
Impact-Resistant Performance¹	
Meets or Exceeds AAMA / WDMA Ratings	LC +/-60 — LC +75/-85 Hallmark Certified
Air Infiltration (cfm/ft ² of frame @ 1.57 psf wind pressure)	0.05
Water Resistance	11.25 psf
Design Pressure	+/-60 — +75/-85 psf
Other Performance Criteria	
Forced Entry Resistance Level (Minimum Security Grade) ²	10
Operating Force (lb) Initiate Motion / Maintain Motion (of Hallmark tested size and glazing) ³	15/6

All vent sizes are available with left- or right-hand hinging, as viewed from the exterior.



Sound Transmission Class / Outdoor-Indoor Transmission Class

Product	Frame Size Tested ⁴	Glazing System			STC Rating	OITC Rating
		Overall Glazing Thickness	Exterior Glass Thickness	Interior Glass Thickness		
Reserve Clad Impact-Resistant	Vent With No Grilles					
	23" x 59"	11/16"	3mm	7.6mm PVB	33	29
	23" x 59"	1"	5mm	10.1mm SGP	34	29
	Fixed With No Grilles					
	47" x 59"	1"	5mm	10.1mm SGP	33	29
	47" x 59"	11/16"	3mm	7.6mm PVB	33	29

(1) Maximum performance for single unit when glazed with the appropriate glass thickness. See Design Data pages in this section for specific product performance class and grade values.

(2) The higher the level, the greater the product's ability to resist forced entry.

(3) Glazing configurations may result in higher operational forces.

(4) ASTM E 1425 defines standard sizes for acoustical testing. Ratings achieved at that size are representative of all sizes of the same configuration.

Consult your local building code to ensure product meets all requirements.



Pella® Reserve™ Impact-Resistant Casement Window

Glazing Performance - Total Unit

Glazing Thickness	Type of Glazing	NFRC Certified Product #	Glass (mm)		Gap Fill	Performance Values ¹				Shaded Areas Meet ENERGY STAR® Performance Criteria in Zones Shown					
			Ext.	Int.		U-Factor	SHGC	VLT %	CR	U. S.				Canada ²	
										Zone				ER	
Vent - Laminated Impact-Resistant - Aluminum-Clad Exterior										N	NC	SC	S	CA	
11/16"	Clear IG	PEL-N-11-24237-00001	3	8	air	0.48	0.53	0.58	40						
	with grilles-between-the-glass	PEL-N-11-24238-00001				0.49	0.49	0.53	40						
	with integral grilles	PEL-N-11-24239-00001				0.48	0.49	0.53	40						
11/16"	Advanced Low-E IG	PEL-N-11-24365-00001	3	8	argon	0.34	0.27	0.49	52						
	with grilles-between-the-glass	PEL-N-11-24366-00001				0.36	0.25	0.45	52						
	with integral grilles	PEL-N-11-24367-00001				0.35	0.25	0.45	52						
11/16"	SunDefense™ Low-E IG	PEL-N-11-24361-00001	3	8	argon	0.33	0.20	0.46	52						
	with grilles-between-the-glass	PEL-N-11-24362-00001				0.35	0.19	0.41	52						
	with integral grilles	PEL-N-11-24363-00001				0.35	0.19	0.41	52						
1"	Clear IG	PEL-N-11-24285-00001	5	10	air	0.44	0.52	0.57	42						
	with grilles-between-the-glass	PEL-N-11-24286-00001				0.45	0.47	0.52	42						
	with integral grilles	PEL-N-11-24287-00001				0.44	0.47	0.52	42						
1"	Advanced Low-E IG	PEL-N-11-24445-00001	5	10	argon	0.29	0.26	0.49	55						
	with grilles-between-the-glass	PEL-N-11-24446-00001				0.30	0.24	0.44	55						
	with integral grilles	PEL-N-11-24447-00001				0.30	0.24	0.44	55						
1"	SunDefense™ Low-E IG	PEL-N-11-24441-00001	5	10	argon	0.29	0.20	0.45	55				S		
	with grilles-between-the-glass	PEL-N-11-24442-00001				0.29	0.19	0.41	55				S		
	with integral grilles	PEL-N-11-24443-00001				0.29	0.19	0.41	55				S		
Laminated Impact-Resistant Tinted Glazing															
11/16"	Bronze Advanced Low-E IG	PEL-N-11-24365-00002	3	8	argon	0.34	0.25	0.29	52						
	with grilles-between-the-glass	PEL-N-11-24366-00002				0.36	0.23	0.27	52						
	with integral grilles	PEL-N-11-24367-00002				0.35	0.23	0.27	52						
1"	Bronze IG	PEL-N-11-24285-00002	5	10	air	0.44	0.39	0.37	42						
	with grilles-between-the-glass	PEL-N-11-24286-00002				0.45	0.36	0.34	42						
	with integral grilles	PEL-N-11-24287-00002				0.44	0.36	0.34	42						
11/16"	Gray Advanced Low-E IG	PEL-N-11-24365-00003	3	8	argon	0.34	0.25	0.23	52						
	with grilles-between-the-glass	PEL-N-11-24366-00003				0.36	0.23	0.21	52						
	with integral grilles	PEL-N-11-24367-00003				0.35	0.23	0.21	52						
1"	Gray IG	PEL-N-11-24285-00003	5	10	air	0.44	0.36	0.32	42						
	with grilles-between-the-glass	PEL-N-11-24286-00003				0.45	0.33	0.29	42						
	with integral grilles	PEL-N-11-24287-00003				0.44	0.33	0.29	42						
11/16"	11/16" Green Advanced Low-E IG	PEL-N-11-24365-00004	3	8	argon	0.34	0.26	0.40	52						
	with grilles-between-the-glass	PEL-N-11-24366-00004				0.36	0.24	0.36	52						
	with integral grilles	PEL-N-11-24367-00004				0.35	0.24	0.36	52						
1"	Green IG	PEL-N-11-24285-00004	5	10	air	0.44	0.38	0.51	42						
	with grilles-between-the-glass	PEL-N-11-24286-00004				0.45	0.35	0.46	42						
	with integral grilles	PEL-N-11-24287-00004				0.44	0.35	0.46	42						

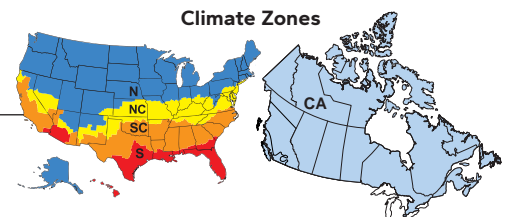
R-Value = 1/U-Factor
 SHGC = Solar Heat Gain Coefficient
 VLT % = Visible Light Transmission
 CR = Condensation Resistance
 ER = Canadian Energy Rating

(1) Glazing performance values are calculated for Pine using NFRC 100, NFRC 200 and NFRC 500. Thermal performance of other wood species may vary. ENERGY STAR® values are updated to 2023 (Version 7) criteria.

(2) The values shown are based on Canada's updated ENERGY STAR® 2020 initiative.

Based on unit size, some products will use 2.5 mm glass that will have equivalent or improved performance from what is shown.

Visit www.energystar.gov for Energy Star guidelines.





Pella® Reserve™ Impact-Resistant Casement Window

Glazing Performance - Total Unit

Glazing Thickness	Type of Glazing	NFRC Certified Product #	Glass (mm)		Gap Fill	Performance Values ₁				Shaded Areas Meet ENERGY STAR® Performance Criteria in Zones Shown				
			Ext.	Int.		U-Factor	SHGC	VLT %	CR	U. S.		Canada ₂		
										Zone		ER		
Fixed - Laminated Impact-Resistant - Aluminum-Clad Exterior										N	NC	SC	S	CA
11/16"	Clear IG	PEL-N-1-59235-00001	3	8	air	0.49	0.60	0.66	40					
	with grilles-between-the-glass	PEL-N-1-59236-00001				0.51	0.54	0.59	40					
	with integral grilles	PEL-N-1-59237-00001				0.50	0.54	0.59	40					
11/16"	Advanced Low-E IG	PEL-N-1-59363-00001	3	8	argon	0.33	0.30	0.56	52					
	with grilles-between-the-glass	PEL-N-1-59364-00001				0.36	0.27	0.50	52					
	with integral grilles	PEL-N-1-59365-00001				0.35	0.27	0.50	52					
11/16"	SunDefense™ Low-E IG	PEL-N-1-59359-00001	3	8	argon	0.32	0.23	0.52	52				S	
	with grilles-between-the-glass	PEL-N-1-59360-00001				0.35	0.21	0.46	52					
	with integral grilles	PEL-N-1-59361-00001				0.34	0.21	0.46	52					
1"	Clear IG	PEL-N-1-59283-00001	5	10	air	0.45	0.58	0.65	42					
	with grilles-between-the-glass	PEL-N-1-59284-00001				0.46	0.53	0.58	42					
	with integral grilles	PEL-N-1-59285-00001				0.45	0.53	0.58	42					
1"	Advanced Low-E IG	PEL-N-1-59443-00001	5	10	argon	0.27	0.30	0.55	55					
	with grilles-between-the-glass	PEL-N-1-59444-00001				0.29	0.27	0.49	55					
	with integral grilles	PEL-N-1-59445-00001				0.28	0.27	0.49	55					
1"	SunDefense Low-E IG	PEL-N-1-59439-00001	5	10	argon	0.27	0.23	0.51	55			SC	S	
	with grilles-between-the-glass	PEL-N-1-59440-00001				0.28	0.21	0.46	55			SC	S	
	with integral grilles	PEL-N-1-59441-00001				0.28	0.21	0.46	55			SC	S	
Laminated Impact-Resistant Tinted Glazing														
11/16"	Bronze Advanced Low-E IG	PEL-N-1-59363-00002	3	8	argon	0.33	0.29	0.33	52					
	with grilles-between-the-glass	PEL-N-1-59364-00002				0.36	0.26	0.30	52					
	with integral grilles	PEL-N-1-59365-00002				0.35	0.26	0.30	52					
1"	Bronze IG	PEL-N-1-59283-00002	5	10	air	0.45	0.44	0.42	42					
	with grilles-between-the-glass	PEL-N-1-59284-00002				0.46	0.40	0.38	42					
	with integral grilles	PEL-N-1-59285-00002				0.45	0.40	0.38	42					
11/16"	Gray Advanced Low-E IG	PEL-N-1-59363-00003	3	8	argon	0.33	0.28	0.26	52					
	with grilles-between-the-glass	PEL-N-1-59364-00003				0.36	0.26	0.24	52					
	with integral grilles	PEL-N-1-59365-00003				0.35	0.26	0.24	52					
1"	Gray IG	PEL-N-1-59283-00003	5	10	air	0.45	0.40	0.37	42					
	with grilles-between-the-glass	PEL-N-1-59284-00003				0.46	0.36	0.33	42					
	with integral grilles	PEL-N-1-59285-00003				0.45	0.36	0.33	42					
11/16"	Green Advanced Low-E IG	PEL-N-1-59363-00004	3	8	argon	0.33	0.30	0.45	52					
	with grilles-between-the-glass	PEL-N-1-59364-00004				0.36	0.27	0.41	52					
	with integral grilles	PEL-N-1-59365-00004				0.35	0.27	0.41	52					
1"	Green IG	PEL-N-1-59283-00004	5	10	air	0.45	0.43	0.58	42					
	with grilles-between-the-glass	PEL-N-1-59284-00004				0.46	0.39	0.52	42					
	with integral grilles	PEL-N-1-59285-00004				0.45	0.39	0.52	42					

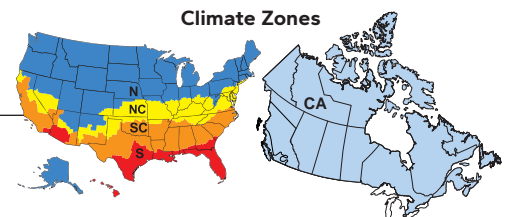
R-Value = 1/U-Factor
 SHGC = Solar Heat Gain Coefficient
 VLT % = Visible Light Transmission
 CR = Condensation Resistance
 ER = Canadian Energy Rating

(1) Glazing performance values are calculated for Pine using NFRC 100, NFRC 200 and NFRC 500. Thermal performance of other wood species may vary. ENERGY STAR® values are updated to 2023 (Version 7) criteria.

(2) The values shown are based on Canada's updated ENERGY STAR® 2020 initiative.

Based on unit size, some products will use 2.5 mm glass that will have equivalent or improved performance from what is shown.

Visit www.energystar.gov for Energy Star guidelines.



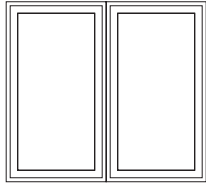


Combination Assemblies

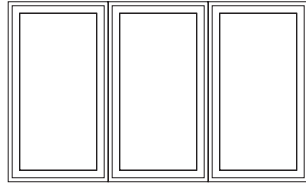
Combinations are a great way to create visual interest in any project. A combination is an assembly formed by two or more separate windows or doors whose frames are mullioned together by a combination or reinforcing mullion. Refer to local restrictions and installation instructions when mulling units.

Pella window combinations are available in an endless variety of arrangements. Below are available factory-assembled combinations. Some units can be fixed or vent depending on availability. See the Combinations Section for requirements and limitations.

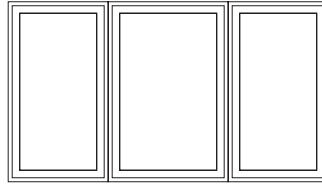
Contact your local Pella sales representative for more information.



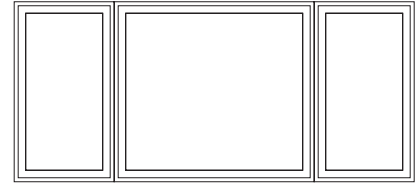
Two-Wide



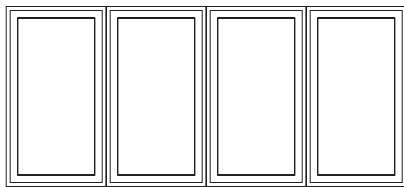
Three-Wide Equal



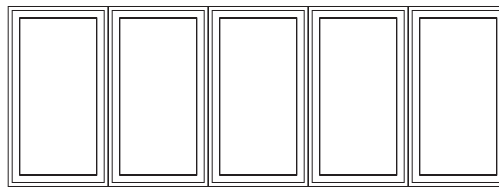
Three-Wide Unequal



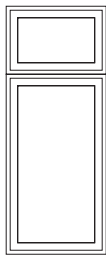
Center Fixed with Flankers



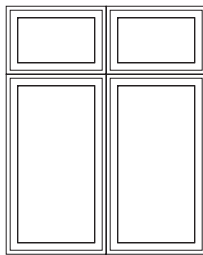
Four-Wide



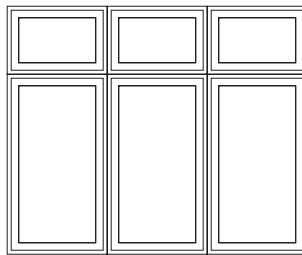
Five-Wide



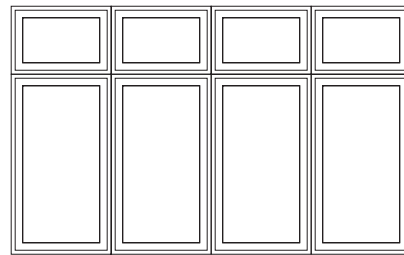
Transom over Single



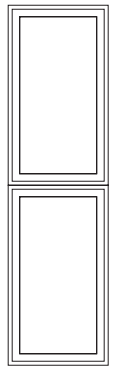
Two-Wide Transom over Two-Wide



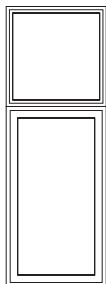
Three-Wide Transom over Three-Wide



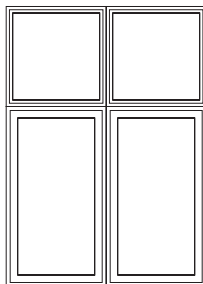
Four-Wide Transom over Four-Wide



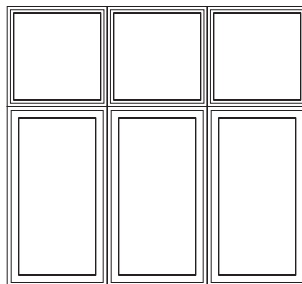
Two-High



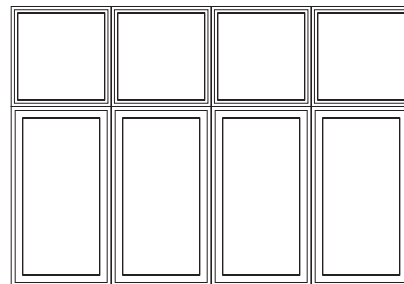
Clad Frame over Single



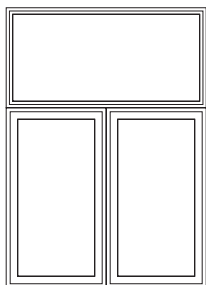
Two-Wide Clad Frame over Two-Wide



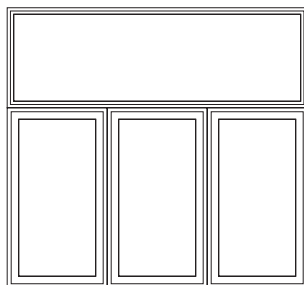
Three-Wide Clad Frame over Three-Wide



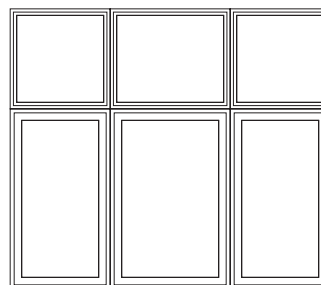
Four-Wide Clad Frame over Four-Wide



Single Clad Frame over Two-Wide



Single Clad Frame over Three-Wide



Three-Wide Clad Frame over Three-Wide Unequal



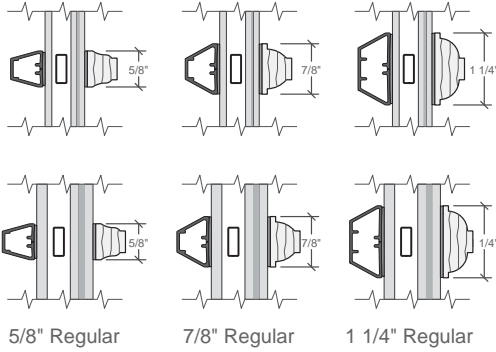
Pella® Reserve™ Impact-Resistant Casement Window

Grille Profiles

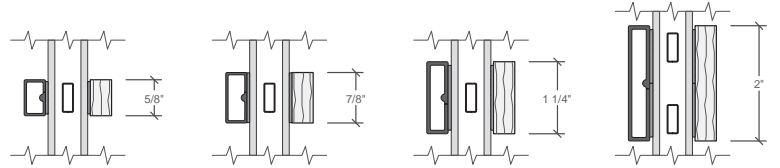
Traditional Style Collection - Integral Light Technology

Contemporary Style Collection - Integral Light Technology®

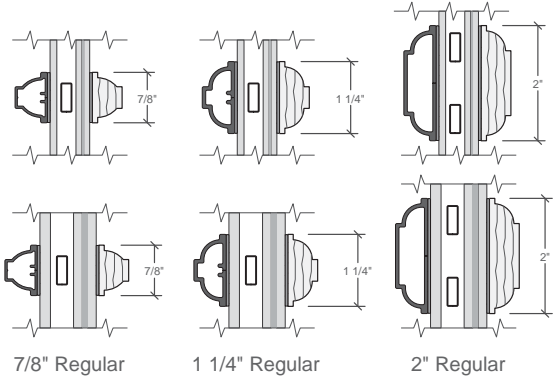
Putty Glaze and Ogee Grilles Clad Exterior - Wood Interior



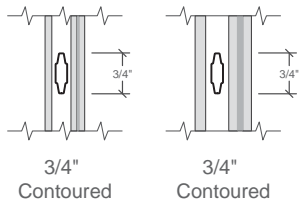
Square Grilles Clad Exterior - Wood Interior



Ogee Grilles Clad Exterior - Wood Interior



Grilles-Between-the-Glass



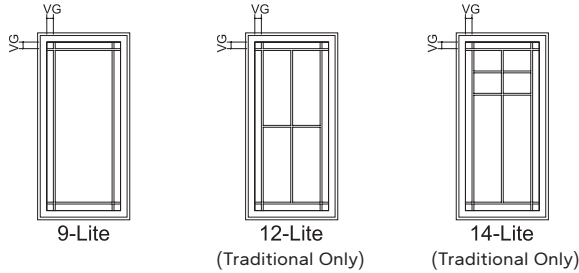
Interior wood ILT grilles available in Pine, Mahogany or Douglas Fir to match complete unit.



Grille Patterns

Integral Light Technology® and Removable Grille Patterns

Prairie Lite Patterns



Size range availability is for 3/4", 7/8" and 1-1/4" grille width. Standard corner lite dimension for Prairie patterns = 2-1/2" VG.

9-Lite

- Available in all standard and special sizes.

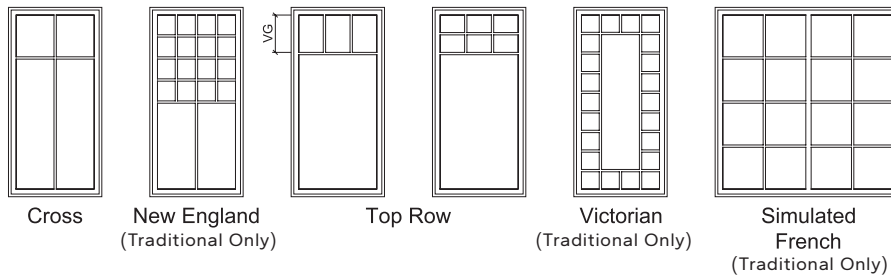
12-Lite

- Available in units ≥ 1'9" and ≤ 2'11" in width, and ≥ 1'9" in height.

14-Lite

- Available in units ≥ 1'9" in width and ≥ 2'11" in height.

Other Available Patterns



Cross

- Standard visible glass to separator bar = one-quarter of total visible glass height.

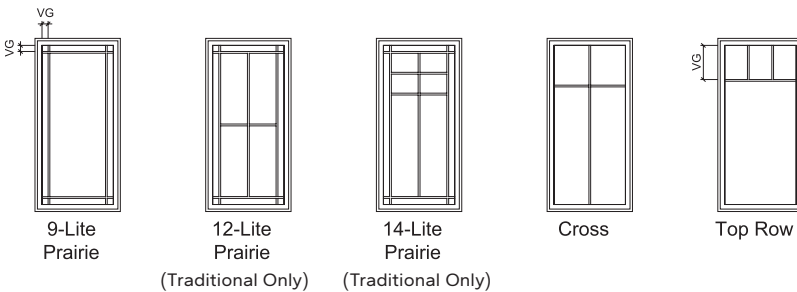
New England

- Standard visible glass to separator bar = half of total visible glass height.

Top Row

- Standard visible glass to separator bar = 14" or half of total visible glass height, whichever is smaller.

Grilles-Between-the-Glass Patterns



Cross

- Available for units with frame heights ≥ 35". Standard visible glass to separator bar = 1/4 of total visible glass height.

Top Row

- Standard visible glass to separator bar = 14" for frame heights > 35". Standard visible glass to separator bar = 21" for 35" frame heights and optional for 41" frame height. Separator bar at 12" or 16" optional for frame heights > 41".

For traditional patterns, see size tables.

VG = Visible Glass

Lite dimensions noted can vary.

Custom configurations are also available, for details contact your local Pella sales representative.



Size Tables

Transoms

	(451) (432)	(552) (533)	(603) (584)	(654) (635)	(756) (737)	(908) (889)
Opening	1' 5 ³ / ₄ "	1' 9 ³ / ₄ "	1' 11 ³ / ₄ "	2' 1 ³ / ₄ "	2' 5 ³ / ₄ "	2' 11 ³ / ₄ "
Frame	1' 5"	1' 9"	1' 11"	2' 1"	2' 5"	2' 11"
(375) (356)	1' 2 ³ / ₄ "	1' 2"				
	1714	2114	2314	2514	2914	3514
(451) (432)	1' 5"	1' 5 ³ / ₄ "				
	1717	2117	2317	2517	2917	3517
(552) (533)		1' 9"				
		2121				
(603) (584)			1' 11"			
			2323			
(654) (635)	2' 1 ³ / ₄ "	2' 1"				
	1725	2125	2325	2525	2925	3525
(756) (737)	2' 5 ³ / ₄ "					
				2' 5"		
				2929		

Not to scale.

Traditional grille patterns shown. See Grille Types page for additional patterns and profiles.

For windows and patio doors with impact-resistant glass, see product instructions or refer to local building code requirements for opening requirements.

All transoms are fixed only.



Size Tables

Vent and Fixed Units

	(451) (432)	(552) (533)	(603) (584)	(654) (635)	(756) (737)	(908) (889)
Opening	1' 5 ³ / ₄ "	1' 9 ³ / ₄ "	1' 11 ³ / ₄ "	2' 1 ³ / ₄ "	2' 5 ³ / ₄ "	2' 11 ³ / ₄ "
Frame	1' 5"	1' 9"	1' 11"	2' 1"	2' 5"	2' 11"
(908) (889)						
(1060) (1041)						
(1213) (1194)						
(1365) (1346)						
(1518) (1499)						
(1670) (1651)						
(1822) (1803)						
(1873) (1854)						

Opening Dimensions

Clad exterior units:
Dimensions shown in tables are rough opening dimensions.

Not to scale.
Traditional grille patterns shown. See Grille Types page for additional patterns and profiles.
For windows and patio doors with impact-resistant glass, see product instructions or refer to local building code requirements for opening requirements.
See Design Data pages in this section for clear opening dimensions and egress information.



Size Tables

Fixed Units

	(1 060) (1 041)	(1 213) (1 194)	(1 365) (1 346)	(1 518) (1 499)
Opening	3' 5 ³ / ₄ "	3' 11 ³ / ₄ "	4' 5 ³ / ₄ "	4' 11 ³ / ₄ "
Frame	3' 5"	3' 11"	4' 5"	4' 11"
(908) (889)	2' 11 ³ / ₄ "	2' 11"	2' 11"	2' 11"
(1 060) (1 041)	3' 5"	3' 5"	3' 5"	3' 5"
(1 213) (1 194)	3' 11 ³ / ₄ "	3' 11"	3' 11 ³ / ₄ "	3' 11"
(1 365) (1 346)	4' 5 ³ / ₄ "	4' 5"	4' 5 ³ / ₄ "	4' 5"
(1 518) (1 499)	4' 11 ³ / ₄ "	4' 11"	4' 11 ³ / ₄ "	4' 11"
(1 670) (1 651)	5' 5 ³ / ₄ "	5' 5"	5' 5 ³ / ₄ "	5' 5"
(1 822) (1 803)	5' 11 ³ / ₄ "	5' 11"	5' 11 ³ / ₄ "	5' 11"
(1 873) (1 854)	6' 1 ³ / ₄ "	6' 1"	6' 1 ³ / ₄ "	6' 1"
	4135	4735	5335	5935
	4141	4741	5341	5941
	4147	4747	5347	5947
	4153	4753	5353	5953
	4159	4759	5359	5959
	4165	4765	5365	5965
	4171	4771	5371	5971
	4173	4773	5373	5973

Opening Dimensions

Clad exterior units:
Dimensions shown in tables are rough opening dimensions.

Not to scale.
Traditional grille patterns shown. See Grille Types page for additional patterns and profiles.
For windows and patio doors with impact-resistant glass, see product instructions or refer to local building code requirements for opening requirements.



Special Sizes and Dimensions

Special Size Frame Dimensions*

	Minimum	Maximum
Vent	1'5" W x 2'11" H (432 x 889)	2'11" W x 6'1" H (889 x 1854)
Fixed	1'5" W x 1'2" H (432 x 356)	4'11" W x 6'1" H (1499 x 1854)

* Available within size range shown.

Keep frame dimensions to the nearest 1/4" increment. Frame height cannot exceed frame width on special size vent units.

Egress Formulas

Clear Opening Height		
Frame Height - 4-1/8"		
Clear Opening Width		
Hinge	Frame Width	Formula
Standard	FW < 29"	FW - 9-3/4"
Standard (IRC)	FW ≥ 29" and ≤ 30-1/2"	FW - 9"
Standard (IRC)	FW > 30-1/2"	FW - 9-3/4"
Standard (UDC)	All Frame widths ≤ 35"	FW - 9-3/4"
Side Pivot (IRC)	FW < 25" ₂	0.877 FW - 4.290"
Side Pivot (IRC)	FW 25" to ≤ 29"	FW - 4.950"
Side Pivot (IRC)	FW > 29" to 35" ₂	0.906 FW - 4.190"

Restricted Opening	
Frame Width	Approximate Sash Opening Angle
>35	28 degrees
36	26 degrees
37	25 degrees
38	24 degrees
39	23 degrees
40	22 degrees
41	21 degrees

Sash opening will be limited to the angle shown.
Units over 35 inches wide do NOT meet Egress.

For units with FW > 35" reference Restricted Opening chart.

Side Pivot Clear Opening formulas (IRC)				
Hinge	Frame Width	Frame Height	Clear Opening Width Formula	
			Clad Exterior	Wood Exterior
STD	17" to ≤ 29"	17" to ≤ 73"	Unit Width - 4.375	Unit Width - 4.375
	> 29" to ≤ 35"	29" to < 47"	Unit Width - 4.375	Unit Width - 4.375
Heavy Duty*	13.75" to < 17"	13.75" to ≤ 96"	(Unit Width x 0.8) - 2.95	(Unit Width x 0.892) - 4.219
	17" to < 19"	13.75" to ≤ 96"	(Unit Width x 0.9) - 4.65	(Unit Width x 0.9) - 4.35
	19" to < 25"	13.75" to ≤ 96"	(Unit Width x 0.883) - 4.433	(Unit Width x 0.883) - 4.133
	25" to 29"	13.75" to ≤ 96"	Unit Width - 5.55	Unit Width - 5.55
	> 29" to ≤ 35"	13.75" to ≤ 96"	(Unit Width x 0.9) - 4.15	(Unit Width x 0.917) - 4.533

Clear opening height = unit height - 4.125"

* All units with Impact glass or standard IG glass weighing 56 lbs. or more require heavy duty hinges.

Glass Formulas

Visible Glass	Width = Frame - 5-3/4" Height = Frame - 5-3/4"
Actual Glass	Width = Frame - 4-3/8" Height = Frame - 4-3/8"

International Residential Code (IRC)

Sash position for clear opening on 29" units.

Uniform Dwelling Code (UDC)

Sash position for clear opening on 29" units.

w/ standard hardware

w/ side pivot hardware

VENT AREA

Shaded portion shows vent area with window open 90° using standard hardware.

Check all applicable local codes for emergency egress requirements.

NOTE: Performance Class and Grade for a Casement with additional options and Specialty windows may not be the same as Standard and Special size units. Please contact your local Pella representative for complete information.

Keep frame dimensions to the nearest 1/4" increment. Frame width cannot exceed frame height on special size vent units. Contact your Pella representative for the availability of custom sizes smaller or larger than the parameters.

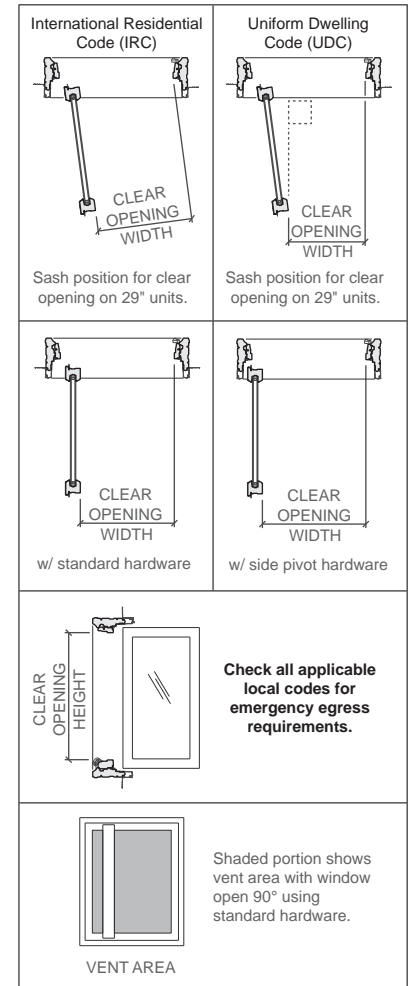
For windows and patio doors with impact-resistant glass, see product instructions or refer to local building code requirements for opening requirements.



Pella® Reserve™ Impact-Resistant Casement Window

Design Data

Vent Units					
Unit	Egress (IRC)	Vent-11/16" Insulated Glass PVB			
		Design Pressure	Florida Product Approval System	Hallmark Certified	Texas Dept of Insurance
1735		75	10015.1	411-H-1339	WIN-474
1741		75	10015.1	411-H-1339	WIN-474
1747		75	10015.1	411-H-1339	WIN-474
1753		75	10015.1	411-H-1339	WIN-474
1759		75	10015.1	411-H-1339	WIN-474
1765		75	10015.1	411-H-1339	WIN-474
1771		75	10015.1	411-H-1339	WIN-474
1773		75	—	411-H-1339	WIN-474
2135		75	10015.1	411-H-1339	WIN-474
2141		75	10015.1	411-H-1339	WIN-474
2147		75	10015.1	411-H-1339	WIN-474
2153		75	10015.1	411-H-1339	WIN-474
2159		75	10015.1	411-H-1339	WIN-474
2165		75	10015.1	411-H-1339	WIN-474
2171		75	10015.1	411-H-1339	WIN-474
2173		75	—	411-H-1339	WIN-474
2335		75	10015.1	411-H-1339	WIN-474
2341		75	10015.1	411-H-1339	WIN-474
2347		75	10015.1	411-H-1339	WIN-474
2353		75	10015.1	411-H-1339	WIN-474
2359		75	10015.1	411-H-1339	WIN-474
2365		75	10015.1	411-H-1339	WIN-474
2371		75	10015.1	411-H-1339	WIN-474
2373		75	—	411-H-1339	WIN-474
2535		75	10015.1	411-H-1339	WIN-474
2541	E3	75	10015.1	411-H-1339	WIN-474
2547	E2	75	10015.1	411-H-1339	WIN-474
2553	E2	75	10015.1	411-H-1339	WIN-474
2559	E2	75	10015.1	411-H-1339	WIN-474
2565	E2	75	10015.1	411-H-1339	WIN-474
2571	E2	75	10015.1	411-H-1339	WIN-474
2573	E2	75	—	411-H-1339	WIN-474
2935	E3	75	10015.1	411-H-1339	WIN-474
2941	E1, E2	75	10015.1	411-H-1339	WIN-474
2947	E	75	10015.1	411-H-1339	WIN-474
2953	E	75	10015.1	411-H-1339	WIN-474
2959	E	75	10015.1	411-H-1339	WIN-474
2965	E	75	10015.1	411-H-1339	WIN-474
2971	E	75	10015.1	411-H-1339	WIN-474
2973	E	75	—	411-H-1339	WIN-474
3535	E1, E2	75	10015.1	411-H-1339	WIN-474
3541	E	75	10015.1	411-H-1339	WIN-474
3547	E	75	10015.1	411-H-1339	WIN-474
3553	E	75	10015.1	411-H-1339	WIN-474
3559	E	75	10015.1	411-H-1339	WIN-474
3565	E	75	10015.1	411-H-1339	WIN-474
3571	E	—	—	—	—
3573	E	—	—	—	—



Egress Notes:
 Check all applicable local codes for emergency egress requirements.

- E = Window meets minimum clear opening of 24" height, 20" width, and 5.7 ft².
- E1 = Window meets minimum clear opening of 24" height, 20" width, and 5.0 ft².
- E2 = With optional side pivot hardware, window meets minimum clear opening of 24" height, 20" width, and 5.7 ft².
- E3 = With optional side pivot hardware, window meets minimum clear opening of 24" height, 20" width, and 5.0 ft².

Clear opening (egress) information does not take into consideration the addition of a Rolscreen (or any other accessory) to the product. Consult your local building code to ensure products with Rolcreens meet egress requirements.

Egress information shown is for International Residential Code (IRC) standards only.

(-) = Not Applicable
 P = Approval Pending

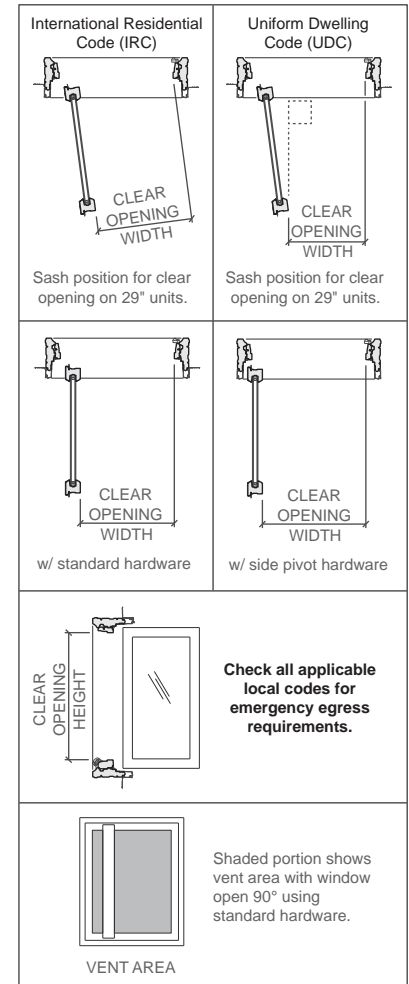
All vent sizes and glass types are tested for air/water/structural and impact-resistance, and are certified for wind zone 4, large missile rating D. Florida Product Approval System number not needed if Miami-Dade County Approved.



Pella® Reserve™ Impact-Resistant Casement Window

Design Data

Vent Units					
Unit	Egress (IRC)	Vent-1" Insulated Glass SGP			
		Design Pressure	Florida Product Approval System	Hallmark Certified	Texas Dept of Insurance
1735		+75/-85	10015.1	411-H-1339	WIN-474
1741		+75/-85	10015.1	411-H-1339	WIN-474
1747		+75/-85	10015.1	411-H-1339	WIN-474
1753		+75/-85	10015.1	411-H-1339	WIN-474
1759		+75/-85	10015.1	411-H-1339	WIN-474
1765		+75/-85	10015.1	411-H-1339	WIN-474
1771		+75/-85	10015.1	411-H-1339	WIN-474
1773		75	10015.1	411-H-1339	WIN-474
2135		+75/-85	10015.1	411-H-1339	WIN-474
2141		+75/-85	10015.1	411-H-1339	WIN-474
2147		+75/-85	10015.1	411-H-1339	WIN-474
2153		+75/-85	10015.1	411-H-1339	WIN-474
2159		+75/-85	10015.1	411-H-1339	WIN-474
2165		+75/-85	10015.1	411-H-1339	WIN-474
2171		+75/-85	10015.1	411-H-1339	WIN-474
2173		75	10015.1	411-H-1339	WIN-474
2335		+75/-85	10015.1	411-H-1339	WIN-474
2341		+75/-85	10015.1	411-H-1339	WIN-474
2347		+75/-85	10015.1	411-H-1339	WIN-474
2353		+75/-85	10015.1	411-H-1339	WIN-474
2359		+75/-85	10015.1	411-H-1339	WIN-474
2365		+75/-85	10015.1	411-H-1339	WIN-474
2371		+75/-85	10015.1	411-H-1339	WIN-474
2373		75	10015.1	411-H-1339	WIN-474
2535		+75/-85	10015.1	411-H-1339	WIN-474
2541	E3	+75/-85	10015.1	411-H-1339	WIN-474
2547	E2	+75/-85	10015.1	411-H-1339	WIN-474
2553	E2	+75/-85	10015.1	411-H-1339	WIN-474
2559	E2	+75/-85	10015.1	411-H-1339	WIN-474
2565	E2	+75/-85	10015.1	411-H-1339	WIN-474
2571	E2	+75/-85	10015.1	411-H-1339	WIN-474
2573	E2	75	10015.1	411-H-1339	WIN-474
2935	E3	+75/-85	10015.1	411-H-1339	WIN-474
2941	E1, E2	+75/-85	10015.1	411-H-1339	WIN-474
2947	E	+75/-85	10015.1	411-H-1339	WIN-474
2953	E	+75/-85	10015.1	411-H-1339	WIN-474
2959	E	+75/-85	10015.1	411-H-1339	WIN-474
2965	E	+75/-85	10015.1	411-H-1339	WIN-474
2971	E	+75/-85	10015.1	411-H-1339	WIN-474
2973	E	75	10015.1	411-H-1339	WIN-474
3535	E1, E2	+75/-85	10015.1	411-H-1339	WIN-474
3541	E	+75/-85	10015.1	411-H-1339	WIN-474
3547	E	+75/-85	10015.1	411-H-1339	WIN-474
3553	E	+75/-85	10015.1	411-H-1339	WIN-474
3559	E	+75/-85	10015.1	411-H-1339	WIN-474
3565	E	+75/-85	10015.1	411-H-1339	WIN-474
3571	E	75	10015.1	411-H-1339	WIN-474
3573	E	75	10015.1	411-H-1339	WIN-474



Egress Notes:
 Check all applicable local codes for emergency egress requirements.

- E = Window meets minimum clear opening of 24" height, 20" width, and 5.7 ft².
- E1 = Window meets minimum clear opening of 24" height, 20" width, and 5.0 ft².
- E2 = With optional side pivot hardware, window meets minimum clear opening of 24" height, 20" width, and 5.7 ft².
- E3 = With optional side pivot hardware, window meets minimum clear opening of 24" height, 20" width, and 5.0 ft².

Clear opening (egress) information does not take into consideration the addition of a Rolscreen (or any other accessory) to the product. Consult your local building code to ensure products with Rolcreens meet egress requirements.

Egress information shown is for International Residential Code (IRC) standards only.

(-) = Not Applicable
 P = Approval Pending

All vent sizes and glass types are tested for air/water/structural and impact-resistance, and are certified for wind zone 4, large missile rating D. Florida Product Approval System number not needed if Miami-Dade County Approved.



Design Data

Fixed Units				
Fixed-11/16" Insulated Glass PVB				
Unit	Design Pressure	Florida Product Approval System	Hallmark Certified	Texas Dept of Insurance
1735	75	10022.1	411-H-1339	WIN-474
1741	75	10022.1	411-H-1339	WIN-474
1747	75	10022.1	411-H-1339	WIN-474
1753	75	10022.1	411-H-1339	WIN-474
1759	75	10022.1	411-H-1339	WIN-474
1765	75	10022.1	411-H-1339	WIN-474
1771	75	10022.1	411-H-1339	WIN-474
1773	75	10022.1	411-H-1339	WIN-474
2135	75	10022.1	411-H-1339	WIN-474
2141	75	10022.1	411-H-1339	WIN-474
2147	75	10022.1	411-H-1339	WIN-474
2153	75	10022.1	411-H-1339	WIN-474
2159	75	10022.1	411-H-1339	WIN-474
2165	75	10022.1	411-H-1339	WIN-474
2171	75	10022.1	411-H-1339	WIN-474
2173	75	10022.1	411-H-1339	WIN-474
2335	75	10022.1	411-H-1339	WIN-474
2341	75	10022.1	411-H-1339	WIN-474
2347	75	10022.1	411-H-1339	WIN-474
2353	75	10022.1	411-H-1339	WIN-474
2359	75	10022.1	411-H-1339	WIN-474
2365	75	10022.1	411-H-1339	WIN-474
2371	75	10022.1	411-H-1339	WIN-474
2373	75	10022.1	411-H-1339	WIN-474
2535	75	10022.1	411-H-1339	WIN-474
2541	75	10022.1	411-H-1339	WIN-474
2547	75	10022.1	411-H-1339	WIN-474
2553	75	10022.1	411-H-1339	WIN-474
2559	75	10022.1	411-H-1339	WIN-474
2565	75	10022.1	411-H-1339	WIN-474
2571	75	10022.1	411-H-1339	WIN-474
2573	75	10022.1	411-H-1339	WIN-474
2935	75	10022.1	411-H-1339	WIN-474
2941	75	10022.1	411-H-1339	WIN-474
2947	75	10022.1	411-H-1339	WIN-474
2953	75	10022.1	411-H-1339	WIN-474
2959	75	10022.1	411-H-1339	WIN-474
2965	75	10022.1	411-H-1339	WIN-474
2971	70	10022.1	411-H-1339	WIN-474
2973	65	10022.1	411-H-1339	WIN-474
3535	75	10022.1	411-H-1339	WIN-474
3541	75	10022.1	411-H-1339	WIN-474
3547	75	10022.1	411-H-1339	WIN-474
3553	75	10022.1	411-H-1339	WIN-474
3559	75	10022.1	411-H-1339	WIN-474
3565	65	10022.1	411-H-1339	WIN-474
3571	—	—	—	—
3573	—	—	—	—

(-) = Not Applicable
 P = Approval Pending

All fixed sizes and glass types are tested for air / water / structural and impact-resistance, and are certified for wind zone 4, large missile rating D. Florida Product Approval System number not needed if Miami-Dade County Approved.



Design Data

Fixed Units				
Unit	Fixed-1" Insulated Glass SGP			
	Design Pressure	Florida Product Approval System	Hallmark Certified	Texas Dept of Insurance
1735	+75/-85	10022.1	411-H-1339	WIN-474
1741	+75/-85	10022.1	411-H-1339	WIN-474
1747	+75/-85	10022.1	411-H-1339	WIN-474
1753	+75/-85	10022.1	411-H-1339	WIN-474
1759	+75/-85	10022.1	411-H-1339	WIN-474
1765	+75/-85	10022.1	411-H-1339	WIN-474
1771	+75/-85	10022.1	411-H-1339	WIN-474
1773	+75/-85	10022.1	411-H-1339	WIN-474
2135	+75/-85	10022.1	411-H-1339	WIN-474
2141	+75/-85	10022.1	411-H-1339	WIN-474
2147	+75/-85	10022.1	411-H-1339	WIN-474
2153	+75/-85	10022.1	411-H-1339	WIN-474
2159	+75/-85	10022.1	411-H-1339	WIN-474
2165	+75/-85	10022.1	411-H-1339	WIN-474
2171	+75/-85	10022.1	411-H-1339	WIN-474
2173	+75/-85	10022.1	411-H-1339	WIN-474
2335	+75/-85	10022.1	411-H-1339	WIN-474
2341	+75/-85	10022.1	411-H-1339	WIN-474
2347	+75/-85	10022.1	411-H-1339	WIN-474
2353	+75/-85	10022.1	411-H-1339	WIN-474
2359	+75/-85	10022.1	411-H-1339	WIN-474
2365	+75/-85	10022.1	411-H-1339	WIN-474
2371	+75/-85	10022.1	411-H-1339	WIN-474
2373	+75/-85	10022.1	411-H-1339	WIN-474
2535	+75/-85	10022.1	411-H-1339	WIN-474
2541	+75/-85	10022.1	411-H-1339	WIN-474
2547	+75/-85	10022.1	411-H-1339	WIN-474
2553	+75/-85	10022.1	411-H-1339	WIN-474
2559	+75/-85	10022.1	411-H-1339	WIN-474
2565	+75/-85	10022.1	411-H-1339	WIN-474
2571	+75/-85	10022.1	411-H-1339	WIN-474
2573	+75/-85	10022.1	411-H-1339	WIN-474
2935	+75/-85	10022.1	411-H-1339	WIN-474
2941	+75/-85	10022.1	411-H-1339	WIN-474
2947	+75/-85	10022.1	411-H-1339	WIN-474
2953	+75/-85	10022.1	411-H-1339	WIN-474
2959	+75/-85	10022.1	411-H-1339	WIN-474
2965	+75/-85	10022.1	411-H-1339	WIN-474
2971	+75/-85	10022.1	411-H-1339	WIN-474
2973	+75/-85	10022.1	411-H-1339	WIN-474
3535	+75/-85	10022.1	411-H-1339	WIN-474
3541	+75/-85	10022.1	411-H-1339	WIN-474
3547	+75/-85	10022.1	411-H-1339	WIN-474
3553	+75/-85	10022.1	411-H-1339	WIN-474
3559	+75/-85	10022.1	411-H-1339	WIN-474
3565	+75/-85	10022.1	411-H-1339	WIN-474
3571	+75/-85	10022.1	411-H-1339	WIN-474
3573	+75/-85	10022.1	411-H-1339	WIN-474

(-) = Not Applicable

P = Approval Pending

All fixed sizes and glass types are tested for air / water / structural and impact-resistance, and are certified for wind zone 4, large missile rating D.

Florida Product Approval System number not needed if Miami-Dade County Approved.



Pella® Reserve™ Impact-Resistant Casement Window

Design Data

Large Fixed Units								
Unit	Fixed-11/16" Insulated Glass PVB				Fixed-1" Insulated Glass SGP			
	Design Pressure	Florida Product Approval System	Hallmark Certified	Texas Dept of Insurance	Design Pressure	Florida Product Approval System	Hallmark Certified	Texas Dept of Insurance
4135	75	10022.1	411-H-1339	WIN-477	+75/-85	10022.1	411-H-1339	WIN-477
4141	75	10022.1	411-H-1339	WIN-477	+75/-85	10022.1	411-H-1339	WIN-477
4147	75	10022.1	411-H-1339	WIN-477	+75/-85	10022.1	411-H-1339	WIN-477
4153	75	10022.1	411-H-1339	WIN-477	+75/-85	10022.1	411-H-1339	WIN-477
4159	—	—	—	—	+75/-85	10022.1	411-H-1339	WIN-477
4165	—	—	—	—	+75/-85	10022.1	411-H-1339	WIN-477
4171	—	—	—	—	+75/-85	10022.1	411-H-1339	WIN-477
4173	—	—	—	—	+75/-85	10022.1	411-H-1339	WIN-477
4735	75	10022.1	411-H-1339	WIN-477	+75/-80	10022.1	411-H-1339	WIN-477
4741	75	10022.1	411-H-1339	WIN-477	+75/-80	10022.1	411-H-1339	WIN-477
4747	75	10022.1	411-H-1339	WIN-477	+75/-80	10022.1	411-H-1339	WIN-477
4753	75	10022.1	411-H-1339	WIN-477	+75/-80	10022.1	411-H-1339	WIN-477
4759	—	—	—	—	+75/-80	10022.1	411-H-1339	WIN-477
4765	—	—	—	—	+75/-80	10022.1	411-H-1339	WIN-477
4771	—	—	—	—	+75/-80	10022.1	411-H-1339	WIN-477
4773	—	—	—	—	+75/-80	10022.1	411-H-1339	WIN-477
5335	75	10022.1	411-H-1339	WIN-477	+75/-75	10022.1	411-H-1339	WIN-477
5341	75	10022.1	411-H-1339	WIN-477	+75/-75	10022.1	411-H-1339	WIN-477
5347	75	10022.1	411-H-1339	WIN-477	+75/-75	10022.1	411-H-1339	WIN-477
5353	75	10022.1	411-H-1339	WIN-477	+75/-75	10022.1	411-H-1339	WIN-477
5359	—	—	—	—	+75/-75	10022.1	411-H-1339	WIN-477
5365	—	—	—	—	+75/-75	10022.1	411-H-1339	WIN-477
5371	—	—	—	—	+75/-75	10022.1	411-H-1339	WIN-477
5373	—	—	—	—	+75/-75	10022.1	411-H-1339	WIN-477
5935	75	10022.1	411-H-1339	WIN-477	+75/-75	10022.1	411-H-1339	WIN-477
5941	—	—	—	—	+75/-75	10022.1	411-H-1339	WIN-477
5947	—	—	—	—	+75/-75	10022.1	411-H-1339	WIN-477
5953	—	—	—	—	+75/-75	10022.1	411-H-1339	WIN-477
5959	—	—	—	—	+75/-75	10022.1	411-H-1339	WIN-477
5965	—	—	—	—	+75/-75	10022.1	411-H-1339	WIN-477
5971	—	—	—	—	+75/-75	10022.1	411-H-1339	WIN-477
5973	—	—	—	—	+75/-75	10022.1	411-H-1339	WIN-477

(—) = Not Applicable
 P = Approval Pending

All fixed sizes and glass types are tested for air / water / structural and impact-resistance, and are certified for wind zone 4, large missile rating D.
 Florida Product Approval System number not needed if Miami-Dade County Approved.



Detailed Product Description - Pella® Reserve™ Traditional

Frame

- Select softwood, immersion treated with Pella's EnduraGuard® wood protection formula in accordance with WDMA I.S.-4. The EnduraGuard formula includes three active ingredients for protection against the effects of moisture, decay, stains from mold and mildew. Plus, an additional ingredient adds protection against termite damage.
- Interior exposed surfaces are [clear pine] [mahogany].
- Exterior surfaces are clad with aluminum.
- Components are assembled with screws, staples and concealed corner locks
- Overall frame depth is 5" (127mm) for a wall depth of 3-11/16" (94mm).
- Optional factory-applied jamb extensions available between 3-13/16" (97mm) and 9-3/16" (233mm).
- Optional factory-installed fold-out installation fins with flexible fin corners.
- Optional factory-applied EnduraClad® exterior trim.

Sash

- Select softwood, immersion treated with Pella's EnduraGuard® wood protection formula in accordance with WDMA I.S.-4. The EnduraGuard formula includes three active ingredients for protection against the effects of moisture, decay, stains from mold and mildew. Plus, an additional ingredient adds protection against termite damage.
- Interior exposed surfaces are [clear pine] [mahogany].
- Exterior surfaces are clad with extruded aluminum butt-jointed at all corners of the sash with through-stile construction and sealed.
- Corners mortised and tenoned, glued and secured with metal fasteners.
- Sash thickness is [1-13/16" (46mm) for 11/16" [2-1/8" (54mm) for 1" glazing.
- Sash exterior profile is [ogee] [putty glaze], interior profile is ogee.

Weatherstripping

- Dual weatherstripping.
 - Flexible santoprene material compressed between frame and sash for positive seal on all four sides.
 - Secondary thermoplastic vulcanizate (TPV) leaf-type weatherstrip between edge of sash and frame.

Glazing System¹

- Quality float glass complying with ASTM C 1036.
- Impact-Resistant
 - Silicone-glazed 1" dual-seal impact-resistant insulating glass₁ [SGP]. [[tempered] [annealed]] exterior light is [[Advanced Low-E] [SunDefense] with argon] [clear] [bronze] [gray] [green]. Laminated clear interior light.
 - or –
 - Silicone-glazed 11/16" dual-seal impact-resistant insulating glass₁ [PVB]. [[tempered] [annealed]] exterior light is [[Advanced Low-E with argon] [clear]]. Laminated [clear] interior light, or [[tempered] [annealed]] exterior light is [[Advanced Low-E] [SunDefense] with argon] [clear]]. Laminated [[bronze] [gray] [green]] interior light.

Exterior

- Aluminum clad exteriors shall be finished with EnduraClad® protective finish, in a multi-step, baked-on finish.
 - Color is [Standard] [custom]₂.
 - or –
- Aluminum clad exteriors shall be finished with EnduraClad Plus protective finish with 70% fluoropolymer resin in a multi-step, baked-on finish.
 - Color is [Standard] [custom]₂.

Interior

- [Unfinished, ready for site finishing] [factory primed with one coat acrylic latex] [factory prefinished [paint] [stain]₂].

Hardware

- Roto operator assembly
 - Steel worm gear sash operator with hardened gears.
 - Operator base is zinc die cast with painted finish.
 - Operator linkage, hinge slide, and hinge arms are stainless steel.
 - Exposed fasteners are stainless steel.
 - Hardware shall exceed 1,000 hours salt spray exposure per ASTM B 117.
- All vent units are available with left- or right-hand hinging.
- SureLock® System—A single handle locking system operates positive-acting arms that reach out and pull the sash into a locked position: one operating lock installed on units with frame height 29" and less, two unison operating locks installed on units with frame height over 29".
- Style of hardware is [Standard integrated fold-away crank and standard lock handle with [baked enamel [Champagne] [White] [Brown] [Matte Black]] [Bright Brass] [Satin Nickel] [Oil-Rubbed Bronze] hardware finish].
 - or –
- [Antiek fold-away crank and Antiek lock handle with [baked enamel [Champagne] [White] [Brown] [Matte Black]] [Bright Brass] [Satin Nickel] [Oil-Rubbed Bronze] [antique brass] [distressed bronze] [distressed nickel] hardware finish].

Optional Products

Grilles

- Integral Light Technology® Grilles
 - Interior grilles are [5/8" [7/8" [1-1/4" [2" ogee profile that are solid [pine] [mahogany]. Interior surfaces are [unfinished, ready for site finishing] [factory primed] [pine: [Factory prefinished [paint] [stain]₂].
 - Exterior grilles are [5/8" putty glaze profile] [7/8" [putty glaze] [ogee] profile] [1-1/4" [putty glaze] [ogee] profile] [2" ogee profile] that are extruded aluminum.
 - Patterns are [Traditional] [Prairie] [Top Row] [Cross] [New England] [Victorian] [Simulated French].
 - Insulating glass contains non-glare spacer between the panes of glass.
 - Grilles are adhered to both sides of the insulating glass with VHB acrylic adhesive tape and aligned with the non-glare spacer.
 - or –

• Grilles-Between-the-Glass₃

- Insulating glass contains 3/4" contoured aluminum grilles permanently installed between two panes of glass (exterior air-space on triple-pane insulating glass).
- Patterns are [Traditional] [Prairie] [Cross] [Top Row].
- Interior color is [White] [Tan₄] [Brown₄] [Putty₄] [Black] [Morning Sky Gray] [Ivory] [Sand Dune] [Harvest] [Cordovan] [Brickstone].
- Exterior color₅ is [standard]₂.

Screens

- InView® Screens
 - Vinyl-coated 18/18 mesh fiberglass screen cloth complying with the performance requirements of SMA 1201, set in aluminum frame fitted to inside of window, supplied complete with all necessary hardware.
 - Screen frame finish is [baked enamel [Champagne] [Artisan Greige] [Skyline Gray] [White] [Brown] [Black]] [Wrapped in wood veneer, finished to match interior finish].
 - or –

• Rolscreen® Soft-close Retractable Screen (for rectangular units only)

- InView® Screen cloth, self-storing, rolling, black vinyl-coated 18/18 mesh fiberglass screen cloth complying with ASTM D 3656 and the performance requirements of SMA 1201 mounted behind overhead cover.
- Cover finish is [factory prefinished paint] [[pine] [mahogany] veneer wrapped over extruded aluminum with factory prefinished [stain₂] [paint₂]].
- Guides are aluminum extrusion with [[pine] [mahogany] veneer wrapped over extruded aluminum with factory prefinished [stain₂] [paint₂]].

Hardware

- Optional factory applied limited opening hardware available for vent units in stainless steel; nominal 3" opening.
- Optional factory applied window opening control device. Device allows window to open less than 4" with normal operation, with a release mechanism that allows the sash to open completely.

(1) Low-E coated insulating glass is argon-filled (except high altitude). All other insulating glass (including high altitude Low-E) is air-filled.

(2) Contact your local Pella sales representative for current designs and color options.

(3) Available in clear or Low-E insulating glass with argon, and obscure insulated glass.

(4) Tan, Brown and Putty Interior GBG colors are available in single-tone (Brown/Brown, Tan/Tan or Putty/Putty). Other interior colors are also available with tan or brown exterior.

(5) Appearance of exterior grille color will vary depending on Low-E coating on glass.



Frame

- Select softwood, immersion treated with Pella's EnduraGuard® wood protection formula in accordance with WDMA I.S.-4. The EnduraGuard formula includes three active ingredients for protection against the effects of moisture, decay, stains from mold and mildew. Plus, an additional ingredient adds protection against termite damage.
Interior exposed surfaces are [clear pine] [mahogany] [douglas fir]. Any curved member may have visible finger-jointed surfaces.
Exterior surfaces are clad with aluminum.
Components are assembled with screws, staples and concealed corner locks
Overall frame depth is 5" (127mm) for a wall depth of 3-11/16" (94mm).
Optional factory-applied jamb extensions available between 3-13/16" (97mm) and 9-3/16" (233mm).
Optional factory-installed fold-out installation fins with flexible fin corners.
Optional factory-applied EnduraClad® exterior trim.

Sash

- Select softwood, immersion treated with Pella's EnduraGuard® wood protection formula in accordance with WDMA I.S.-4. The EnduraGuard formula includes three active ingredients for protection against the effects of moisture, decay, stains from mold and mildew. Plus, an additional ingredient adds protection against termite damage.
Interior exposed surfaces are [clear pine] [mahogany] [douglas fir].
Exterior surfaces are clad with extruded aluminum butt-jointed at all corners of the sash with through-stile construction and sealed.
Corners mortised and tenoned, glued and secured with metal fasteners.
Sash thickness is 2-1/8" (54mm) for 1" glazing.
Sash exterior profile is square, interior profile is square.

Weatherstripping

- Dual weatherstripping.
Flexible santoprene material compressed between frame and sash for positive seal on all four sides.
Secondary thermoplastic vulcanizate (TPV) leaf-type weatherstrip between edge of sash and frame.

Glazing System 1

- Quality float glass complying with ASTM C 1036.
Impact-Resistant
Silicone-glazed 1" dual-seal impact-resistant insulating glass; SGP. [[tempered] [annealed]] exterior light is [[Advanced Low-E] [SunDefense] with argon] [clear] [bronze] [gray] [green]]. Laminated clear interior light.
Silicone-glazed 11/16" dual-seal impact-resistant insulating glass; [PVB]. [[tempered] [annealed]] exterior light is [[Advanced Low-E with argon] [clear]]. Laminated [clear] interior light, or [[tempered] [annealed]] exterior light is [[Advanced Low-E] [SunDefense] with argon] [clear]]. Laminated [[bronze] [gray] [green]] interior light.

Exterior

- Aluminum clad exteriors shall be finished with EnduraClad® protective finish, in a multi-step, baked-on finish.
Color is [Standard] [custom]2.
Aluminum clad exteriors shall be finished with EnduraClad Plus protective finish with 70% fluoropolymer resin in a multi-step, baked-on finish.
Color is [Standard] [custom]2.

Interior

- [Unfinished, ready for site finishing] [factory primed with one coat acrylic latex] [factory prefinished [paint] [stain]2].

Hardware

- Roto operator assembly
Steel worm gear sash operator with hardened gears.
Operator base is zinc die cast with painted finish.
Operator linkage, hinge slide, and hinge arms are stainless steel.
Exposed fasteners are stainless steel.
Hardware shall exceed 1,000 hours salt spray exposure per ASTM B 117.
All vent units are available with left- or right-hand hinging.
SureLock® System—A single handle locking system operates positive-acting arms that reach out and pull the sash into a locked position: one operating lock installed on units with frame height 29" and less, two union operating locks installed on units with frame height over 29".
Style of hardware is [Saldo integrated fold-away crank and standard lock handle with [baked enamel [Champagne] [White] [Brown] [Matte Black]] [Satin Nickel] [Oil-Rubbed Bronze] [Polished Chrome] [Polished Nickel] hardware finish].

Optional Products

Grilles

- Integral Light Technology® Grilles
Interior grilles are [5/8"] [7/8"] [1-1/4"] [2"] square profile that are solid [pine] [mahogany] [douglas fir]. Interior surfaces are [unfinished, ready for site finishing] [factory primed] [pine: factory prefinished [paint] [stain]2].
Exterior grilles are [5/8"] [7/8"] [1-1/4"] [2"] square profile that are extruded aluminum.
Patterns are [Traditional] [Prairie] [Top Row] [Cross].
Insulating glass contains non-glare spacer between the panes of glass.
Grilles are adhered to both sides of the insulating glass with VHB acrylic adhesive tape and aligned with the non-glare spacer.
Grilles-Between-the-Glass3
Insulating glass contains 3/4" contoured aluminum grilles permanently installed between two panes of glass (exterior air-space on triple-pane insulating glass).
Patterns are [Traditional] [Prairie] [Cross] [Top Row].
Interior color is [White] [Tan4] [Brown4] [Putty4] [Black] [Morning Sky Gray] [Ivory] [Sand Dune] [Harvest] [Cordovan] [Brickstone].
Exterior color5 is [standard]2.

Screens

- InView™ Screens
Vinyl-coated 18/18 mesh fiberglass screen cloth complying with the performance requirements of SMA 1201, set in aluminum frame fitted to inside of window, supplied complete with all necessary hardware.
Screen frame finish is [baked enamel [Champagne] [Artisan Greige] [Skyline Gray] [White] [Brown] [Black]] [Wrapped in wood veneer, factory prefinished stain to match interior finish].

Hardware

- Optional factory applied limited opening hardware available for vent units in stainless steel; nominal 3" opening.
Optional factory applied window opening control device. Device allows window to open less than 4" with normal operation, with a release mechanism that allows the sash to open completely. Complies with ASTM F2090-17.

Sensors

- Optional factory installed integrated security sensors available in vent units.

(1) Low-E coated insulating glass is argon-filled (except high altitude). All other insulating glass (including high altitude Low-E) is air-filled.

(2) Contact your local Pella sales representative for current designs and color options.

(3) Available in clear or Low-E insulating glass with argon, and obscure insulated glass.

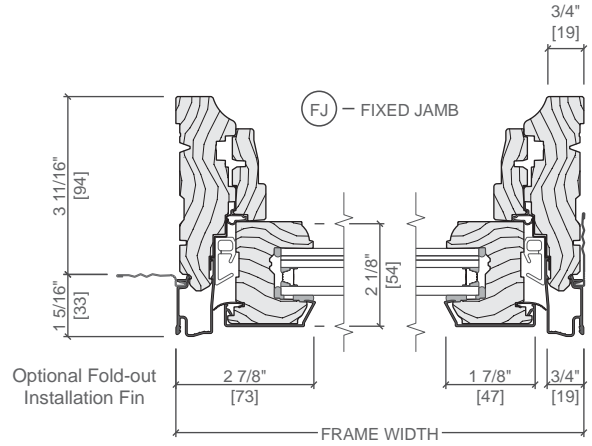
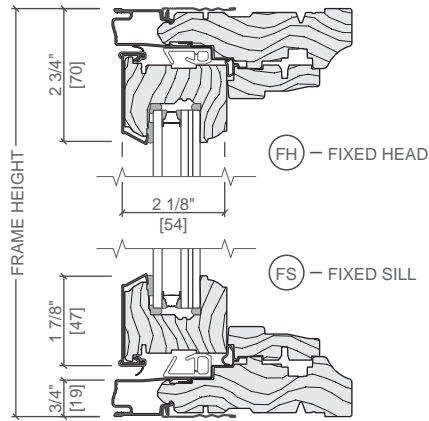
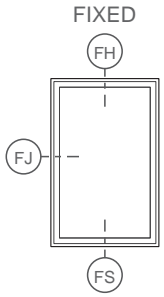
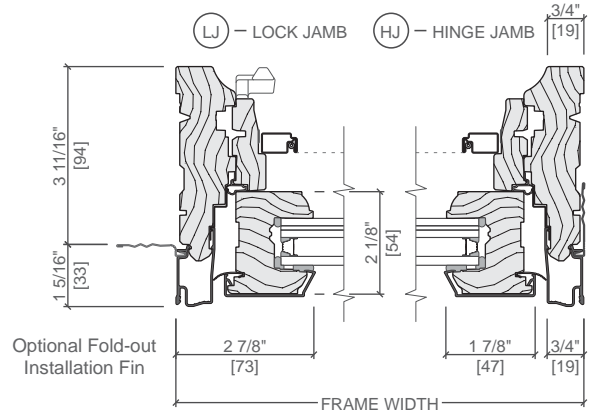
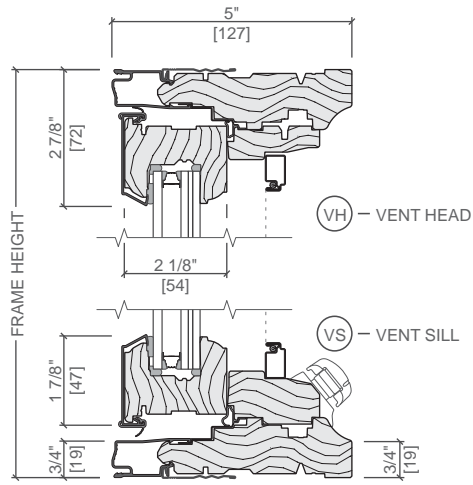
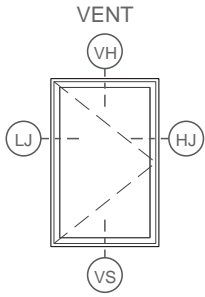
(4) Tan, Brown and Putty Interior GBG colors are available in single-tone (Brown/Brown, Tan/Tan or Putty/Putty). Other interior colors are also available with tan or brown exterior.

(5) Appearance of exterior grille color will vary depending on Low-E coating on glass.



Pella® Reserve™ Impact-Resistant Casement Window

Unit Sections - 1" Laminated Glass Pella® Reserve™ Traditional



Scale 3" = 1' 0"

All dimensions are approximate.



Pella® Reserve™ Impact-Resistant Casement Window

Unit Sections - 1" Laminated Glass Pella® Reserve™ Contemporary

