



Supporting Documents.....OSD-2

Product Selection Guide

 Size and Performance Data.....OSD-3

 Sound Transmission Class and Outdoor-Indoor Transmission ClassOSD-3

 Features and Options..... OSD-5

Combination Assemblies..... OSD-6

Reserve

Glazing Performance..... OSD-7

Impact-Resistant Glazing OSD-12

Grille Types

 Grille Profiles..... OSD-13

 Grille Pattern OSD-14

Custom Shapes OSD-15

Size Tables..... OSD-16

Special Sizes and Dimensions OSD-20

Design Data OSD-21

Detailed Product Descriptions

 Clad..... OSD-24

 Wood OSD-25

Unit Sections

 Clad..... OSD-26

 Wood OSD-31

 Handle Hardware Dimensions OSD-35

Reserve Commercial

Glazing Performance..... OSD-36

Size Tables..... OSD-38

Design Data OSD-39

Hardware Parameters and Recommendations..... OSD-40

Detailed Product Descriptions

 Clad..... OSD-41

 Wood OSD-42

Unit Sections

 Clad..... OSD-43

 Wood OSD-45

The information published in this document is believed to be accurate at the time of publication. However, because we are constantly working to improve our products, specifications are subject to change without notice. Consult your local Pella representative for up-to-date product information.



Supporting documents for this product:

Test Reports:

https://media.pella.com/professional/adm/CertificationReports/Test_Reports_AS-Clad.pdf

CSI Specs (readable using Microsoft Word or other text editing application):

https://media.pella.com/professional/adm/Wood-CSI_Specs/08551-R.rtf

AIA Masterspec

(readable using Microsoft Word or other text editing application):

[AIA Masterspec: https://media.pella.com/professional/adm/Wood-CSI_Specs/Masterspec/085200_fl.doc](https://media.pella.com/professional/adm/Wood-CSI_Specs/Masterspec/085200_fl.doc)

Detailed Product Description

(readable using Microsoft Word or other text editing application):

Clad: <https://media.pella.com/professional/adm/Clad-Wood/PR-OutSwingDoor-C.rtf>

Wood: <https://media.pella.com/professional/adm/Clad-Wood/PR-OutSwingDoor-W.rtf>

Size Tables (requires appropriate CAD software to read and use):

https://media.pella.com/professional/adm/Clad-Wood/ASR-OF-Elev_D.dwg

CAD cross sections (requires appropriate CAD software to read and use):

https://media.pella.com/professional/adm/Clad-Wood/ASR-OF-Details_D.dwg

3D & BIM (requires appropriate software to read and use):

<https://media.pella.com/professional/adm/RevitFiles/PR-Revit/Door-Out-Swing-Pella-Reserve-Traditional.zip>

Sketchup (requires appropriate software to read and use):

https://media.pella.com/professional/adm/Clad-Wood/PellaSKP_PellaReserve_Traditional_Hinged_Door_Out-Swing.zip

Combination Recommendations:

https://media.pella.com/professional/adm/Clad-Wood/D_Combinations.pdf

Installation Details:

https://media.pella.com/professional/adm/Clad-Wood/F_InstallationDetails.pdf

Impact-Resistant Out-Swing Door, Complete Product Information:

https://media.pella.com/professional/adm/Clad-Wood/Pella-ImpactResistant_OutSwingDoor.pdf

The information published in this document is believed to be accurate at the time of publication. However, because we are constantly working to improve our products, specifications are subject to change without notice. Consult your local Pella representative for up-to-date product information.

Microsoft and Microsoft Word are registered trademarks of Microsoft Corp.



Pella® Reserve™ Traditional Out-Swing Patio Door

Size and Performance Data

Residential	Clad	Wood
Sizes		
Standard door sizes	●	●
Standard sidelight sizes	●	●
Standard transom sizes – fixed frame direct set	●	●
Fixed casement	●	●
Wide stile casement	●	●
Special sizes	●	●
Custom sizes and shapes	●	●
Single-Swing Door Width		
2' 2", 2' 6", 2' 10", 3' 0", 3' 2"	●	●
Double-Swing Door Width (Active-Passive or Passive-Active)		
4' 2", 5' 0", 5' 7", 6' 0", 6' 3"	●	●
Door Heights		
6' 7-1/2", 6' 10", 7' 2", 8' 0", 9' 0", 10' 0"	●	●

Commercial	Clad	Wood
Sizes		
Standard sidelight sizes	●	●
3' 2" Single door widths	●	●
6' 0" Double door widths	●	●
7' 2" and 8' 0" door heights	●	●
Configurations		
Double-swing doors	●	●
Single-swing door (left- or right-hinged)	●	●
Performance₁		
Air Infiltration (cfm/ft ² of frame @ 1.57 psf wind pressure)	0.15	0.15
Water Resistance	0	0
Design Pressure	–	–

Sound Transmission Class / Outdoor-Indoor Transmission Class							
Product	Frame Size Tested ₂	Glazing System				STC Rating	OITC Rating
		Overall Glazing Thickness	Exterior Glass Thickness	Interior Glass Thickness	Third Pane Thickness		
Clad Out-Swing	WITHOUT GRILLES						
	71-1/4" x 81-1/2"	13/16"	3 mm	3 mm	–	30	25
	71-1/4" x 81-1/2"	13/16"	3 mm	7.6 mm PVB	–	35	29
Clad Out-Swing with Impact-Resistant Laminated Glass	WITHOUT GRILLES						
	71-1/4" x 81-1/2"	7/8"	8.6 mm PVB	4.7 mm	–	34	30

(–) = Not Applicable

(1) Maximum performance for single unit when glazed with the appropriate glass thickness. Doors supplied without latching hardware are not AAMA/WDMA performance certified. See Design Data pages in this section for specific product performance class and grade values.

(2) ASTM E 1425 defines standard sizes for acoustical testing. Ratings achieved at that size are representative of all sizes of the same configuration.



Pella® Reserve™ Traditional Out-Swing Patio Door

Size and Performance Data

		Clad	Wood
Performance data			
Doors 8' 0" Tall and Under	Standard Sill		
	Meets or Exceeds AAMA /WDMA Ratings ₁	LC70 Hallmark Certified	LC70 Hallmark Certified
	Air Infiltration (cfm / ft ² of frame @ 1.57 psf wind pressure)	0.15	0.15
	Water Resistance	10.66 psf	10.66 psf
	Design Pressure	70 psf	70 psf
	Low Profile Sill		
	Water Resistance	0 psf	0 psf
Doors over 8' Tall up to 10' 0"	Standard Sill		
	Meets or Exceeds AAMA /WDMA Ratings ₁	LC50 Hallmark Certified	LC50 Hallmark Certified
	Air Infiltration (cfm / ft ² of frame @ 1.57 psf wind pressure)	0.15	0.15
	Water Resistance	7.52 psf	7.52 psf
	Design Pressure	50 psf	50 psf
	Low Profile Sill		
	Water Resistance	0 psf	0 psf
Other Performance Criteria			
Forced Entry Resistance Level (Minimum Security Grade) ₂		40	40
Additional Performance data			
Doors 8' 0" Tall and Under	Products with Impact-Resistant Glass		
	Meets or Exceeds AAMA /WDMA Ratings ₁	LC70	LC70
	Air Infiltration (cfm / ft ² of frame @ 1.57 psf wind pressure)	0.15	0.15
	Water Resistance	10.66 psf	10.66 psf
	Design Pressure	70 psf	70 psf
Doors over 8' Tall up to 10' 0"	Products with Impact-Resistant Glass		
	Meets or Exceeds AAMA /WDMA Ratings ₁	LC50	LC50
	Air Infiltration (cfm / ft ² of frame @ 1.57 psf wind pressure)	0.15	0.15
	Water Resistance	7.52 psf	7.52 psf
	Design Pressure	50 psf	50 psf

(1) Maximum performance for single unit when glazed with the appropriate glass thickness. Doors supplied without latching hardware are not AAMA/WDMA performance certified. See Design Data pages in this section for specific product performance class and grade values.

(2) The higher the level, the greater the product's ability to resist forced entry. Valid only if Pella supplied locking system is used.



Pella® Reserve™ Traditional Out-Swing Patio Door

Features and Options

Standard	Options / Upgrades
Glazing	
Glazing Type	
Dual-Pane Insulating Glass	Triple-Pane Insulating Glass
Insulated Glass Options/Low-E Types	
Advanced Low-E	SunDefense™ Low-E
	SunDefense+ Low-E
	AdvancedComfort Low-E
	NaturalSun Low-E
	NaturalSun+ Low-E
Clear (no Low-E coating)	
Additional Glass Options	
Tempered Glass	Obscure Glass ¹
	Tinted Glass (Bronze, Gray and Green)
	Impact-Resistant Laminated Dual-Pane Insulating Glass (Residential only)
Gas Fill/High Altitude	
Argon	High altitude
Wood Types	
Pine	Mahogany, Douglas Fir
Exterior	
EnduraClad® protective finish	EnduraClad Plus protective finish
	Factory Primed Pine wood exterior
	Unfinished Mahogany wood exterior
Cladding Colors¹	
Standard colors	Feature Colors, Custom Colors
Interior	
Unfinished Wood	Factory primed ³ , Factory prefinished paint ³ , Factory prefinished stain
Hardware⁴	
White, Champagne, Brown, Matte Black	Satin Brass, Satin Nickel, Oil-Rubbed Bronze
Locking System	
Multi-Point	—
Key lock	—
Grilles	
Integral Light Technology® Grilles	
—	Traditional, Prairie, Top Row, Cross, New England, Victorian, Custom
Grilles-Between-the-Glass	
—	Traditional, Prairie, Top Row, Cross

(1) Contact your local Pella sales representative for current designs and color options.

(2) ADA sill finishes available in mill or bronze anodized only.

(3) Not available on Mahogany and Douglas Fir interiors.

(4) Operating hardware for commercial products is not included.

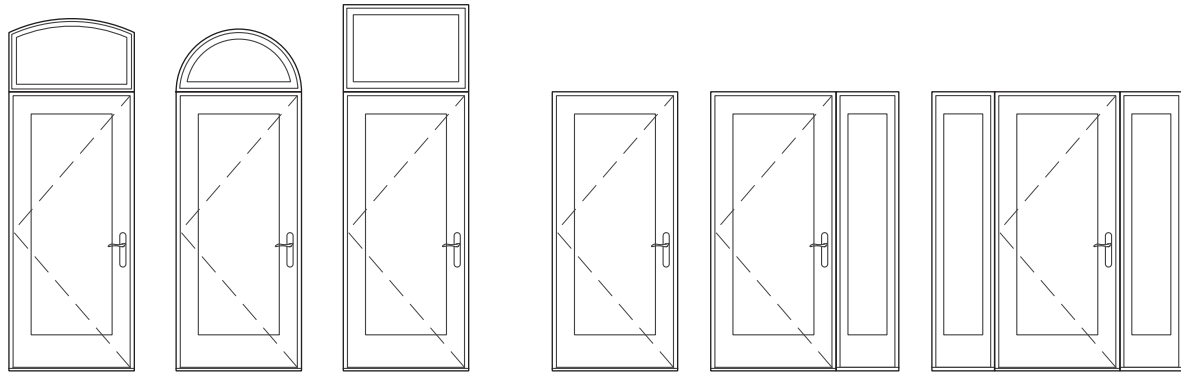


Combinations

Combinations are a great way to create visual interest in any project. A combination is an assembly formed by two or more separate windows or doors whose frames are mullioned together by a combination or reinforcing mullion.

Pella window combinations are available in an endless variety of arrangements. Below are examples of common configurations, see the Combinations Recommendations document for typical mullions, requirements and limitations.

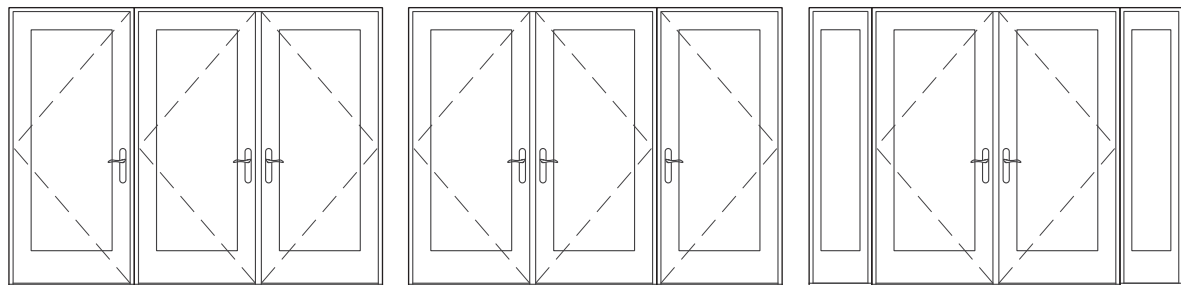
Contact your local Pella sales representative for more information.



Arch Head over Single Half Circle over Single Transom over Single¹ Single with Left Sidelight Single with Right Sidelight Single with Double Sidelight



Arch Head over Double Half Circle over Double Elliptical over Double Transom over Double



Double with Single Left Double with Single Right Double with Double Sidelights

(1) Other rectangular profiles are also available as combination options.



Pella® Reserve™ Traditional Out-Swing Patio Door

Glazing Performance - Total Unit

Glazing Thickness	Type of Glazing	NFRC Certified Product #	Glass (mm)		Gap Fill	Performance Values ¹				Shaded Areas Meet ENERGY STAR® Performance Criteria in Zones Shown					
			Ext.	Int.		U-Factor	SHGC	VLT	CR	U. S.				Canada ₂	
										Zone				ER	Zone
Vent Dual-Pane Glazing - Aluminum-Clad Exterior										N	NC	SC	S	CA	
13/16"	Clear IG	PEL-N-212-06617-00001	3	3	Air	0.40	0.44	0.46	45						
	with grilles-between-the-glass	PEL-N-212-06618-00001				0.40	0.38	0.39	45						
	with integral grilles	PEL-N-212-06619-00001				0.40	0.38	0.39	45						
13/16"	Advanced Low-E IG	PEL-N-212-06649-00001	3	3	Argon	0.28	0.21	0.39	61			SC	S		
	with grilles-between-the-glass	PEL-N-212-06650-00001				0.28	0.19	0.33	61			SC	S		
	with integral grilles	PEL-N-212-06651-00001				0.28	0.19	0.33	61			SC	S		
13/16"	SunDefense™ Low-E IG	PEL-N-212-06625-00001	3	3	Argon	0.27	0.16	0.36	61			SC	S		
	with grilles-between-the-glass	PEL-N-212-06626-00001				0.27	0.14	0.31	61			SC	S		
	with integral grilles	PEL-N-212-06627-00001				0.28	0.14	0.31	61			SC	S		
13/16"	SunDefense+ Low-E IG	PEL-N-212-10237-00001	3	3	Argon	0.24	0.16	0.35	48	N	NC	SC	S		
	with grilles-between-the-glass	PEL-N-212-10238-00001				0.24	0.14	0.30	48	N	NC	SC	S		
	with integral grilles	PEL-N-212-10239-00001				0.25	0.14	0.30	48	N	NC	SC	S		
13/16"	AdvancedComfort Low-E IG	PEL-N-212-06633-00001	3	3	Argon	0.24	0.21	0.38	48	N	NC	SC	S		
	with grilles-between-the-glass	PEL-N-212-06634-00001				0.24	0.18	0.33	48	N	NC	SC	S		
	with integral grilles	PEL-N-212-06635-00001				0.25	0.18	0.33	48	N	NC	SC	S		
13/16"	NaturalSun Low-E IG	PEL-N-212-06641-00001	3	3	Argon	0.28	0.39	0.44	60						
	with grilles-between-the-glass	PEL-N-212-06642-00001				0.28	0.34	0.38	60						
	with integral grilles	PEL-N-212-06643-00001				0.29	0.34	0.38	60						
13/16"	NaturalSun+ Low-E IG	PEL-N-212-10205-00001	3	3	Argon	0.25	0.36	0.43	47	N	NC				
	with grilles-between-the-glass	PEL-N-212-10206-00001				0.25	0.31	0.37	47	N	NC				
	with integral grilles	PEL-N-212-10207-00001				0.26	0.31	0.37	47	N	NC				
Tinted Glazing															
13/16"	Bronze Advanced Low-E IG	PEL-N-212-06693-00001	5	3	Argon	0.27	0.19	0.25	62			SC	S		
	with integral grilles with grilles	PEL-N-212-06694-00001				0.27	0.17	0.22	62			SC	S		
	with integral grilles	PEL-N-212-06695-00001				0.28	0.17	0.22	62			SC	S		
13/16"	Gray Advanced Low-E IG	PEL-N-212-06701-00001	5	3	Argon	0.27	0.17	0.22	62			SC	S		
	with grilles-between-the-glass	PEL-N-212-06702-00001				0.27	0.15	0.19	62			SC	S		
	with integral grilles	PEL-N-212-06703-00001				0.28	0.15	0.19	62			SC	S		
13/16"	Green Advanced Low-E IG	PEL-N-212-06709-00001	5	3	Argon	0.27	0.21	0.34	62			SC	S		
	with grilles-between-the-glass	PEL-N-212-06710-00001				0.27	0.19	0.29	62			SC	S		
	with integral grilles	PEL-N-212-06711-00001				0.28	0.19	0.29	62			SC	S		
High Altitude Glazing															
13/16"	Advanced Low-E IG	PEL-N-212-06645-00001	3	3	Air	0.30	0.22	0.39	57						
	with grilles-between-the-glass	PEL-N-212-06646-00001				0.30	0.19	0.33	57						
	with integral grilles	PEL-N-212-06647-00001				0.31	0.19	0.33	58						
13/16"	SunDefense™ Low-E IG	PEL-N-212-06621-00001	3	3	Air	0.30	0.16	0.36	58						
	with grilles-between-the-glass	PEL-N-212-06622-00001				0.30	0.14	0.31	58						
	with integral grilles	PEL-N-212-06623-00001				0.30	0.14	0.31	58						
13/16"	SunDefense+ Low-E IG	PEL-N-212-10233-00001	3	3	Air	0.26	0.16	0.35	45	N	NC	SC	S		
	with grilles-between-the-glass	PEL-N-212-10234-00001				0.26	0.14	0.30	45	N	NC	SC	S		
	with integral grilles	PEL-N-212-10235-00001				0.27	0.14	0.30	45			SC	S		
13/16"	AdvancedComfort Low-E IG	PEL-N-212-06629-00001	3	3	Air	0.26	0.21	0.38	45	N	NC	SC	S		
	with grilles-between-the-glass	PEL-N-212-06630-00001				0.26	0.18	0.33	45	N	NC	SC	S		
	with integral grilles	PEL-N-212-06631-00001				0.27	0.18	0.33	45			SC	S		
13/16"	NaturalSun Low-E IG	PEL-N-212-06637-00001	3	3	Air	0.31	0.39	0.44	57						
	with grilles-between-the-glass	PEL-N-212-06638-00001				0.31	0.34	0.38	57						
	with integral grilles	PEL-N-212-06639-00001				0.31	0.34	0.38	57						
13/16"	NaturalSun+ Low-E IG	PEL-N-212-10201-00001	3	3	Air	0.27	0.36	0.43	44						
	with grilles-between-the-glass	PEL-N-212-10202-00001				0.27	0.31	0.37	44						
	with integral grilles	PEL-N-212-10203-00001				0.28	0.31	0.37	44						

R-Value = 1/U-Factor, SHGC = Solar Heat Gain Coefficient
 VLT % = Visible Light Transmission, CR = Condensation Resistance
 ER = Canadian Energy Rating

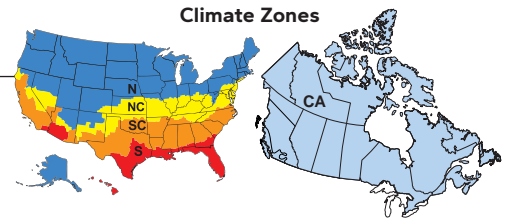
(1) Glazing performance values are calculated based on NFRC 100, NFRC 200 and NFRC 500. ENERGY STAR® values are updated to 2023 (Version 7) criteria.

(2) The values shown are based on Canada's updated ENERGY STAR® 2020 initiative.

U-Factor values shown are based on a standard sill and pine interior.

Visit www.energystar.gov for Energy Star guidelines.

Climate Zones





Pella® Reserve™ Traditional Out-Swing Patio Door

Glazing Performance - Total Unit

Glazing Thickness	Type of Glazing	NFRC Certified Product #	Glass (mm)			Gap Fill	Performance Values ¹				Shaded Areas Meet ENERGY STAR® Performance Criteria in Zones Shown						
			Ext.	Mid	Int.		U-Factor	SHGC	VLT	CR	U. S.				Canada ²		
											Zone				ER	Zone	
Vent Triple-Pane Glazing - Aluminum-Clad Exterior											N	NC	SC	S			CA
1"	Advanced Low-E IG	PEL-N-212-07005-00001	3	3	3	Argon	0.23	0.20	0.35	70	N	NC	SC	S			
	with grilles-between-the-glass	PEL-N-212-07006-00001					0.23	0.17	0.29	70	N	NC	SC	S			
	with integral grilles	PEL-N-212-07007-00001					0.23	0.17	0.29	70	N	NC	SC	S			
1"	SunDefense™ Low-E IG	PEL-N-212-07017-00001	3	3	3	Argon	0.22	0.15	0.32	70	N	NC	SC	S			
	with grilles-between-the-glass	PEL-N-212-07018-00001					0.23	0.13	0.27	70	N	NC	SC	S			
	with integral grilles	PEL-N-212-07019-00001					0.23	0.13	0.27	70	N	NC	SC	S			
1"	NaturalSun Low-E IG	PEL-N-212-06993-00001	3	3	3	Argon	0.23	0.32	0.39	70	N	NC					
	with grilles-between-the-glass	PEL-N-212-06994-00001					0.23	0.28	0.33	70	N	NC					
	with integral grilles	PEL-N-212-06995-00001					0.23	0.28	0.33	70	N	NC					
High Altitude Glazing																	
1"	Advanced Low-E IG	PEL-N-212-07009-00001	3	3	3	Air	0.25	0.20	0.35	66	N	NC	SC	S			
	with grilles-between-the-glass	PEL-N-212-07010-00001					0.26	0.17	0.29	66	N	NC	SC	S			
	with integral grilles	PEL-N-212-07011-00001					0.26	0.17	0.29	66	N	NC	SC	S			
1"	SunDefense Low-E IG	PEL-N-212-07021-00001	3	3	3	Air	0.25	0.15	0.32	66	N	NC	SC	S			
	with grilles-between-the-glass	PEL-N-212-07022-00001					0.26	0.13	0.27	66	N	NC	SC	S			
	with integral grilles	PEL-N-212-07023-00001					0.26	0.13	0.27	66	N	NC	SC	S			
1"	NaturalSun Low-E IG	PEL-N-212-06997-00001	3	3	3	Air	0.25	0.32	0.39	66	N	NC					
	with grilles-between-the-glass	PEL-N-212-06998-00001					0.26	0.28	0.33	66	N	NC					
	with integral grilles	PEL-N-212-06999-00001					0.26	0.28	0.33	66	N	NC					

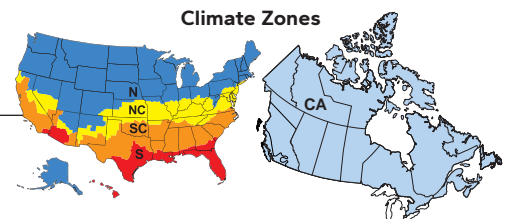
R-Value = 1/U-Factor
 SHGC = Solar Heat Gain Coefficient
 VLT % = Visible Light Transmission
 CR = Condensation Resistance
 ER = Canadian Energy Rating

(1) Glazing performance values are calculated based on NFRC 100, NFRC 200 and NFRC 500. ENERGY STAR® values are updated to 2023 (Version 7) criteria.

(2) The values shown are based on Canada's updated ENERGY STAR® 2020 initiative.

U-Factor values shown are based on a standard sill and pine interior.

Visit www.energystar.gov for Energy Star guidelines.





Pella® Reserve™ Traditional Out-Swing Patio Door

Glazing Performance - Total Unit

Glazing Thickness	Type of Glazing	NFRC Certified Product #	Glass (mm)		Gap Fill	Performance Values ¹				Shaded Areas Meet ENERGY STAR® Performance Criteria in Zones Shown													
			Ext.	Int.		U-Factor	SHGC	VLT	CR	U. S.				Canada ₂									
										Zone				ER	Zone								
			N	NC		SC	S	CA															
Vent Dual-Pane Glazing - Wood Exterior																							
13/16"	Clear IG	PEL-N-219-06521-00001	3	3	Air	0.39	0.45	0.46	46														
	with grilles-between-the-glass	PEL-N-219-06522-00001				0.39	0.38	0.39	46														
	with integral grilles	PEL-N-219-06523-00001				0.40	0.38	0.39	46														
13/16"	Advanced Low-E IG	PEL-N-219-06537-00001	3	3	Argon	0.27	0.22	0.39	62			SC	S										
	with grilles-between-the-glass	PEL-N-219-06538-00001				0.27	0.19	0.33	62			SC	S										
	with integral grilles	PEL-N-219-06539-00001				0.28	0.19	0.33	62			SC	S										
13/16"	SunDefense™ Low-E IG	PEL-N-219-06529-00001	3	3	Argon	0.27	0.16	0.36	62			SC	S										
	with grilles-between-the-glass	PEL-N-219-06530-00001				0.27	0.14	0.31	63			SC	S										
	with integral grilles	PEL-N-219-06531-00001				0.28	0.14	0.31	63			SC	S										
13/16"	SunDefense+ Low-E IG	PEL-N-219-08533-00001	3	3	Argon	0.24	0.16	0.35	39	N	NC	SC	S										
	with grilles-between-the-glass	PEL-N-219-08534-00001				0.24	0.14	0.30	39	N	NC	SC	S										
	with integral grilles	PEL-N-219-08535-00001				0.25	0.14	0.30	39	N	NC	SC	S										
13/16"	AdvancedComfort Low-E IG	PEL-N-219-06553-00001	3	3	Argon	0.24	0.21	0.38	49	N	NC	SC	S										
	with grilles-between-the-glass	PEL-N-219-06554-00001				0.24	0.18	0.33	49	N	NC	SC	S										
	with integral grilles	PEL-N-219-06555-00001				0.25	0.18	0.33	49	N	NC	SC	S										
13/16"	NaturalSun Low-E IG	PEL-N-219-06545-00001	3	3	Argon	0.28	0.39	0.44	61														
	with grilles-between-the-glass	PEL-N-219-06546-00001				0.28	0.34	0.38	61														
	with integral grilles	PEL-N-219-06547-00001				0.29	0.34	0.38	61														
13/16"	NaturalSun+ Low-E IG	PEL-N-219-08509-00001	3	3	Argon	0.25	0.36	0.43	49	N	NC												
	with grilles-between-the-glass	PEL-N-219-08510-00001				0.25	0.31	0.37	49	N	NC												
	with integral grilles	PEL-N-219-08511-00001				0.26	0.31	0.37	49	N	NC												
Tinted Glazing																							
13/16"	Bronze Advanced Low-E IG	PEL-N-219-06573-00002	5	3	Argon	0.27	0.19	0.25	62			SC	S										
	with grilles-between-the-glass	PEL-N-219-06574-00002				0.27	0.17	0.22	62			SC	S										
	with integral grilles	PEL-N-219-06575-00002				0.28	0.17	0.22	62			SC	S										
13/16"	Gray Advanced Low-E IG	PEL-N-219-06573-00003	5	3	Argon	0.27	0.18	0.22	62			SC	S										
	with grilles-between-the-glass	PEL-N-219-06574-00003				0.27	0.15	0.19	62			SC	S										
	with integral grilles	PEL-N-219-06575-00003				0.28	0.15	0.19	62			SC	S										
13/16"	Green Advanced Low-E IG	PEL-N-219-06573-00004	5	3	Argon	0.27	0.22	0.34	62			SC	S										
	with grilles-between-the-glass	PEL-N-219-06574-00004				0.27	0.19	0.29	62			SC	S										
	with integral grilles	PEL-N-219-06575-00004				0.28	0.19	0.29	62			SC	S										
High Altitude Glazing																							
13/16"	Advanced Low-E IG	PEL-N-219-06533-00001	3	3	Air	0.30	0.22	0.39	59														
	with grilles-between-the-glass	PEL-N-219-06534-00001				0.30	0.19	0.33	59														
	with integral grilles	PEL-N-219-06535-00001				0.30	0.19	0.33	59														
13/16"	SunDefense Low-E IG	PEL-N-219-06525-00001	3	3	Air	0.30	0.16	0.36	59														
	with grilles-between-the-glass	PEL-N-219-06526-00001				0.30	0.14	0.31	59														
	with integral grilles	PEL-N-219-06527-00001				0.30	0.14	0.31	59														
13/16"	SunDefense+ Low-E IG	PEL-N-219-08529-00001	3	3	Air	0.26	0.16	0.35	49	N	NC	SC	S										
	with grilles-between-the-glass	PEL-N-219-08530-00001				0.26	0.14	0.30	49	N	NC	SC	S										
	with integral grilles	PEL-N-219-08531-00001				0.27	0.14	0.30	52			SC	S										
13/16"	AdvancedComfort Low-E IG	PEL-N-219-06549-00001	3	3	Air	0.26	0.21	0.38	45	N	NC	SC	S										
	with grilles-between-the-glass	PEL-N-219-06550-00001				0.26	0.19	0.33	45	N	NC	SC	S										
	with integral grilles	PEL-N-219-06551-00001				0.27	0.19	0.33	45			SC	S										
13/16"	NaturalSun Low-E IG	PEL-N-219-06541-00001	3	3	Air	0.30	0.39	0.44	58														
	with grilles-between-the-glass	PEL-N-219-06542-00001				0.30	0.34	0.38	58														
	with integral grilles	PEL-N-219-06543-00001				0.31	0.34	0.38	58														
13/16"	NaturalSun+ Low-E IG	PEL-N-219-08505-00001	3	3	Air	0.26	0.36	0.43	41	N	NC												
	with grilles-between-the-glass	PEL-N-219-08506-00001				0.26	0.31	0.37	41	N	NC												
	with integral grilles	PEL-N-219-08507-00001				0.27	0.31	0.37	41														

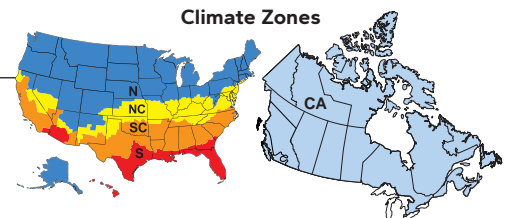
R-Value = 1/U-Factor, SHGC = Solar Heat Gain Coefficient
 VLT % = Visible Light Transmission, CR = Condensation Resistance
 ER = Canadian Energy Rating

(1) Glazing performance values are calculated based on NFRC 100, NFRC 200 and NFRC 500. ENERGY STAR® values are updated to 2023 (Version 7) criteria.

(2) The values shown are based on Canada's updated ENERGY STAR® 2020 initiative.

U-Factor values shown are based on a standard sill and pine interior.

Visit www.energystar.gov for Energy Star guidelines.





Pella® Reserve™ Traditional Out-Swing Patio Door

Glazing Performance - Total Unit

Glazing Thickness	Type of Glazing	NFRC Certified Product #	Glass (mm)			Gap Fill	Performance Values ¹				Shaded Areas Meet ENERGY STAR® Performance Criteria in Zones Shown					
			Ext.	Mid	Int.		U-Factor	SHGC	VLT	CR	U. S.				Canada ²	
											Zone				ER	Zone
Vent Triple-Pane Glazing - Wood Exterior											N	NC	SC	S		CA
1"	Advanced Low-E IG	PEL-N-219-06713-00001	3	3	3	Argon	0.22	0.20	0.35	70	N	NC	SC	S		
	with grilles-between-the-glass	PEL-N-219-06714-00001					0.23	0.17	0.29	70	N	NC	SC	S		
	with integral grilles	PEL-N-219-06715-00001					0.23	0.17	0.29	70	N	NC	SC	S		
1"	SunDefense™ Low-E IG	PEL-N-219-06725-00001	3	3	3	Argon	0.22	0.15	0.32	70	N	NC	SC	S		
	with grilles-between-the-glass	PEL-N-219-06726-00001					0.23	0.13	0.27	70	N	NC	SC	S		
	with integral grilles	PEL-N-219-06727-00001					0.23	0.13	0.27	70	N	NC	SC	S		
1"	NaturalSun Low-E IG	PEL-N-219-06701-00001	3	3	3	Argon	0.23	0.32	0.39	70	N	NC				
	with grilles-between-the-glass	PEL-N-219-06702-00001					0.23	0.28	0.33	70	N	NC				
	with integral grilles	PEL-N-219-06703-00001					0.23	0.28	0.33	70	N	NC				
High Altitude Glazing																
1"	Advanced Low-E IG	PEL-N-219-06709-00001	3	3	3	Air	0.25	0.20	0.35	67	N	NC	SC	S		
	with grilles-between-the-glass	PEL-N-219-06710-00001					0.26	0.17	0.29	67	N	NC	SC	S		
	with integral grilles	PEL-N-219-06711-00001					0.25	0.17	0.29	67	N	NC	SC	S		
1"	SunDefense Low-E IG	PEL-N-219-06721-00001	3	3	3	Air	0.25	0.15	0.32	67	N	NC	SC	S		
	with grilles-between-the-glass	PEL-N-219-06722-00001					0.25	0.13	0.27	67	N	NC	SC	S		
	with integral grilles	PEL-N-219-06723-00001					0.25	0.13	0.27	67	N	NC	SC	S		
1"	NaturalSun Low-E IG	PEL-N-219-06697-00001	3	3	3	Air	0.25	0.32	0.39	67	N	NC				
	with grilles-between-the-glass	PEL-N-219-06698-00001					0.26	0.28	0.33	67	N	NC				
	with integral grilles	PEL-N-219-06699-00001					0.26	0.28	0.33	67	N	NC				

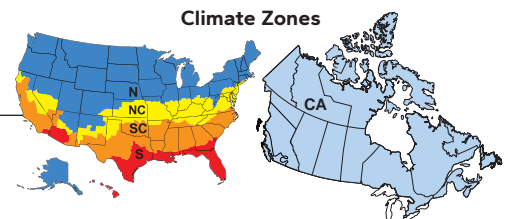
R-Value = 1/U-Factor
 SHGC = Solar Heat Gain Coefficient
 VLT % = Visible Light Transmission
 CR = Condensation Resistance
 ER = Canadian Energy Rating

(1) Glazing performance values are calculated based on NFRC 100, NFRC 200 and NFRC 500. ENERGY STAR® values are updated to 2023 (Version 7) criteria.

(2) The values shown are based on Canada's updated ENERGY STAR® 2020 initiative.

U-Factor values shown are based on a standard sill and pine interior.

Visit www.energystar.gov for Energy Star guidelines.





Pella® Reserve™ Traditional Out-Swing Patio Door

Glazing Performance - Total Unit Impact-Resistant Glass

Glazing Thickness	Type of Glazing	NFRC Certified Product #	Glass (mm)		Gap Fill	Performance Values ¹				Shaded Areas Meet ENERGY STAR® Performance Criteria in Zones Shown					
			Ext.	Int.		U-Factor	SHGC	VLT	CR	U. S.				Canada ²	
										Zone				ER	Zone
Dual-Pane Laminated Impact-Resistant Glazing - Aluminum-Clad Exterior										N	NC	SC	S	CA	
7/8"	Clear IG PVB	PEL-N-212-06945-00001	8	5	air	0.41	0.39	0.44	44						
	with grilles-between-the-glass	PEL-N-212-06946-00001				0.41	0.33	0.38	44						
	with integral grilles	PEL-N-212-06947-00001				0.42	0.33	0.38	44						
7/8"	Advanced Low-E IG PVB	PEL-N-212-06949-00001	8	5	argon	0.29	0.21	0.38	59						
	with grilles-between-the-glass	PEL-N-212-06950-00001				0.30	0.19	0.33	59						
	with integral grilles	PEL-N-212-06951-00001				0.30	0.19	0.33	59						
7/8"	SunDefense™ Low-E IG	PEL-N-212-06953-00001	8	5	argon	0.28	0.17	0.35	59			SC	S		
	with grilles-between-the-glass	PEL-N-212-06954-00001				0.30	0.15	0.30	59						
	with integral grilles	PEL-N-212-06955-00001				0.30	0.15	0.30	59						
Dual-Pane Tinted Laminated Impact-Resistant Glazing - Aluminum-Clad Exterior										N	NC	SC	S	CA	
7/8"	Bronze IG PVB	PEL-N-212-06957-00001	8	5	air	0.41	0.26	0.18	44						
	with grilles-between-the-glass	PEL-N-212-06958-00001				0.41	0.23	0.15	44						
	with integral grilles	PEL-N-212-06959-00001				0.40	0.23	0.15	44						
7/8"	Gray IG PVB	PEL-N-212-06961-00001	8	5	air	0.41	0.29	0.21	44						
	with grilles-between-the-glass	PEL-N-212-06962-00001				0.41	0.25	0.18	44						
	with integral grilles	PEL-N-212-06963-00001				0.40	0.25	0.18	44						
7/8"	Green IG PVB	PEL-N-212-06965-00001	8	5	air	0.41	0.35	0.36	44						
	with grilles-between-the-glass	PEL-N-212-06966-00001				0.41	0.30	0.31	44						
	with integral grilles	PEL-N-212-06967-00001				0.40	0.30	0.31	44						

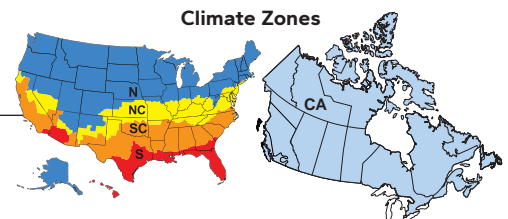
R-Value = 1/U-Factor
 SHGC = Solar Heat Gain Coefficient
 VLT % = Visible Light Transmission
 CR = Condensation Resistance
 ER = Canadian Energy Rating

(1) Glazing performance values are calculated based on NFRC 100, NFRC 200 and NFRC 500. ENERGY STAR® values are updated to 2023 (Version 7) criteria.

(2) The values shown are based on Canada's updated ENERGY STAR® 2020 initiative.

U-Factor values shown are based on a standard sill and pine interior.

Visit www.energystar.gov for Energy Star guidelines.



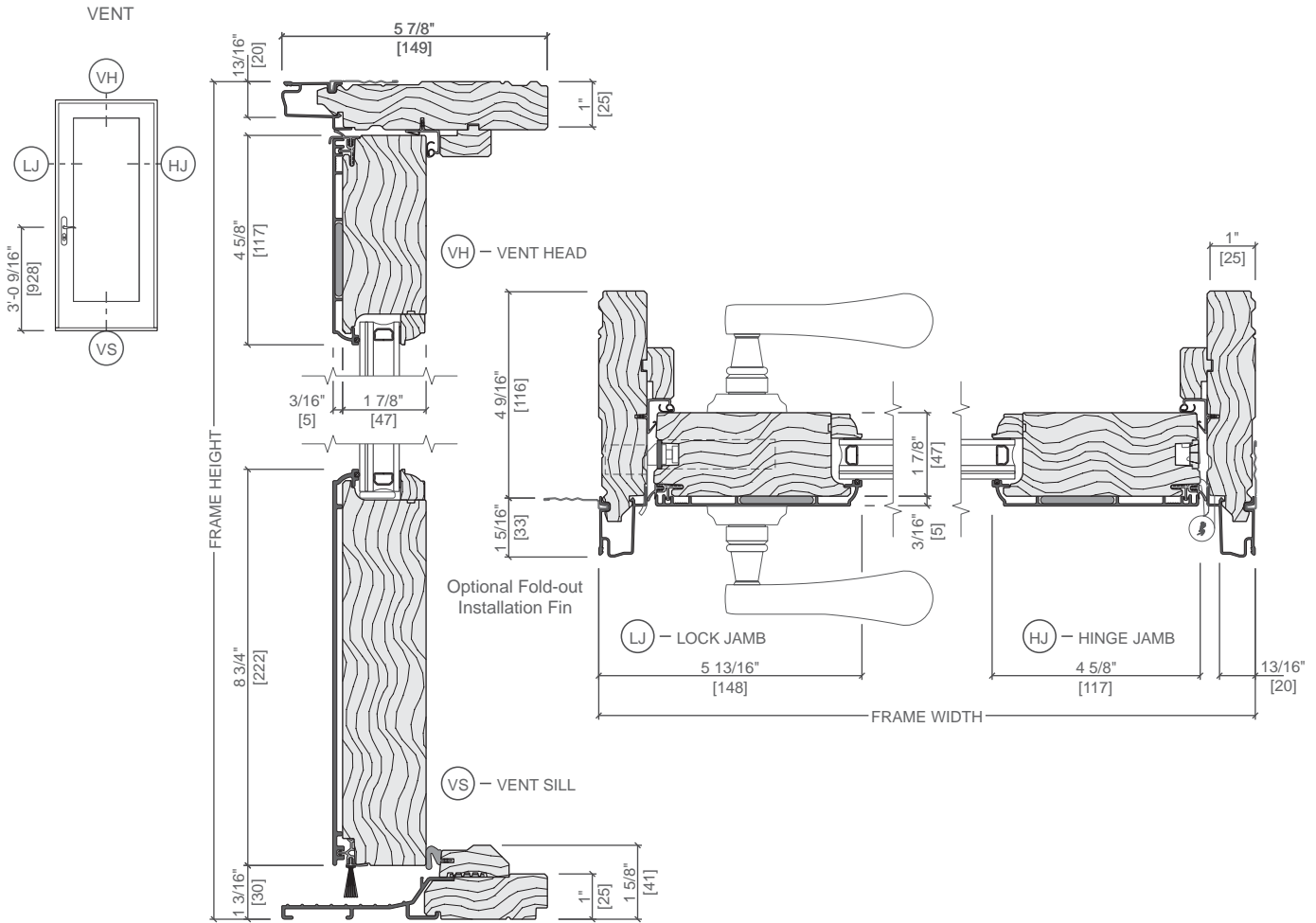


Pella® Reserve™ Traditional Out-Swing Patio Door

Impact-Resistant Glass

For a complete list of ratings, refer to the Impact-Resistant product section.

	Clad
	7/8" Insulated Glass PVB
Maximum Performance Grade¹	
Vent units 6' 10" tall and under	+70 / -70
Vent units 8' tall and under	+70 / -70
Vent units over 8' tall up to 10' tall	+50 / -50
Fixed units 6' 10" tall and under	+70 / -70
Fixed units 8' tall and under	+70 / -70
Fixed units over 8' tall up to 10' tall	+50 / -50
Certification	
Hallmark	411-H-1188
FPAS	FL 14302



(-) = Not applicable

(1) Units are tested for air/water/structural and impact-resistance, and certified for wind zone 4, large missile rating D.

Transoms are not available with impact-resistant Glazing.

For clear opening, vent area, visible glass, and frame area, see clad Design Data pages.

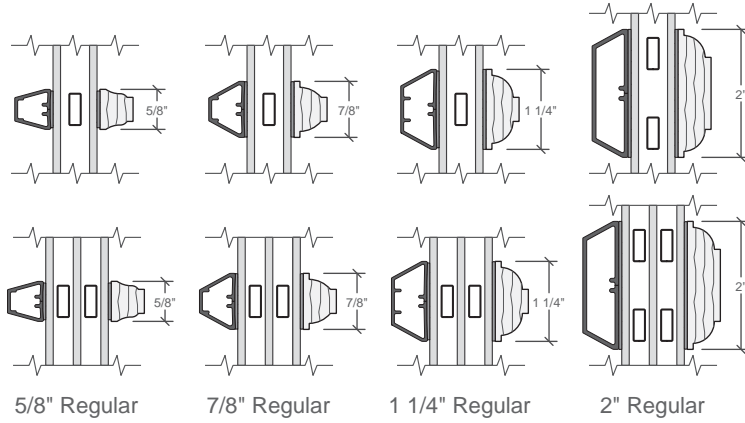
Doors with low profile sills, curved glass in rectangular panel, custom stiles and rails, and no-lock no-bore hardware options are not certified to above standards.



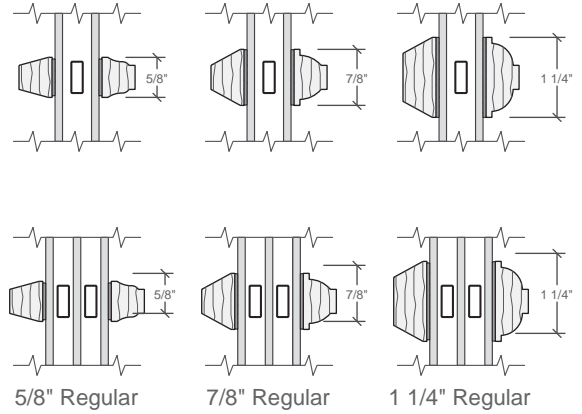
Grille Profiles

Traditional Style Collection - Integral Light Technology®

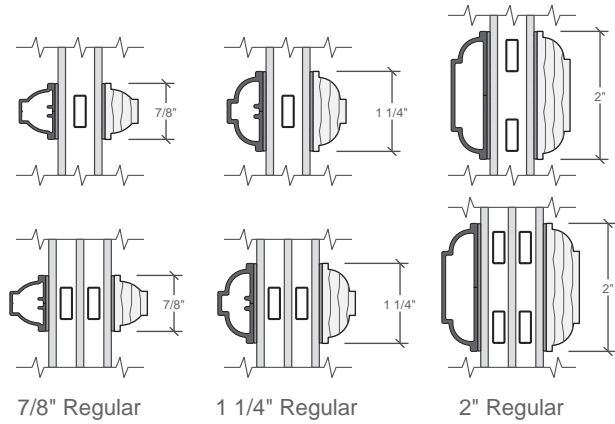
Putty Glaze and Ogee Grilles
Clad Exterior - Wood Interior



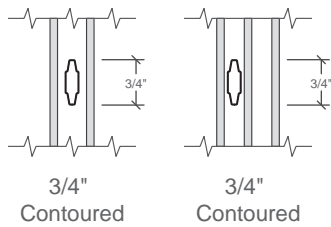
Putty Glaze and Ogee Grilles
Wood Exterior - Wood Interior



Ogee Grilles
Clad Exterior - Wood Interior



Grilles-Between-the-Glass



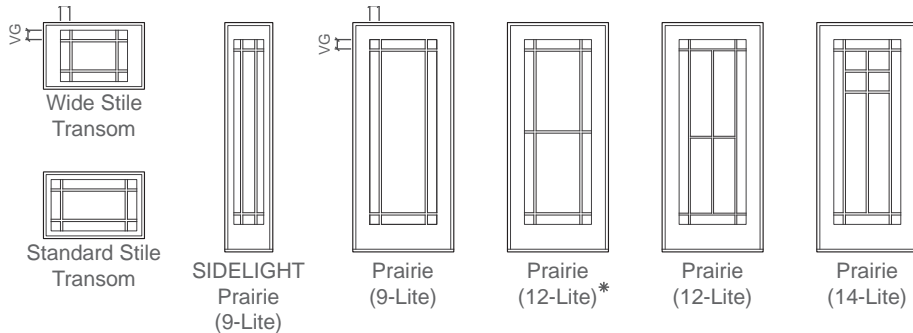
Interior wood ILT grilles available in Pine, Mahogany or Douglas Fir to match complete unit.
Exterior wood ILT grilles available in Pine or Mahogany to match complete unit.



Grille Patterns

Integral Light Technology® Grilles

Prairie Lite Patterns

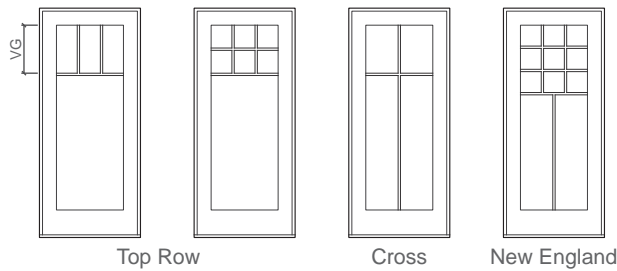


All sidelights and transoms will have 9 lights.
Standard corner lite dimension for Prairie patterns = 3-1/2" VG.

Integral Light Technology Grilles

- 9-Lite available in all standard and special sizes.
- 12-Lite available at 8' height; other heights available per custom drawing.
- 14-Lite available in units > 2' 1-1/2" width.

Other Available Patterns



Top Row

- Standard visible glass to separator bar = 14" or half of total visible glass height, whichever is smaller.

Cross

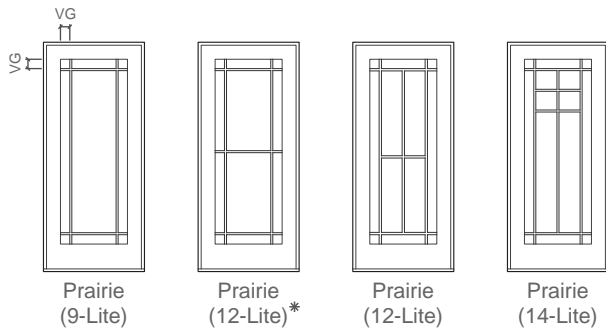
- Standard visible glass to separator bar = one-quarter of total visible glass height.

New England

- Standard visible glass to separator bar = half of total visible glass height.

Grilles-Between-the-Glass

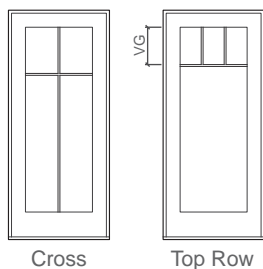
Prairie Lite Patterns



Prairie

- Standard corner lite dimension = 3-1/2" VG.
- 9-Lite available in units < 7' 0-3/4" height.
- * Prairie in heights > 7' 0-1/2" will have 12 lites.
- 12-Lite available in units ≤ 7' 2" height.

Other Available Patterns



Cross

- Horizontal bar is 1/4 of visible glass from the top in door panels.
- Not available in transoms.

Top Row

- Horizontal bar may be ordered 12", 14" or 16" from the top VG.
- Transoms with frame heights ≥ 21", the horizontal bar will be positioned at 1/2 the visible glass height.
- Top Row not available in transoms with frame height < 21".

For traditional patterns, see size tables.

VG = Visible Glass

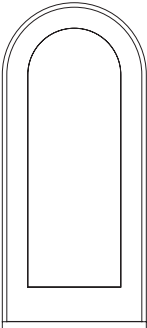
Lite dimensions noted can vary.

Custom configurations are available; for details contact your local Pella sales representative.

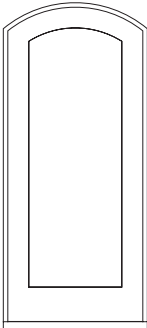


Custom Shapes

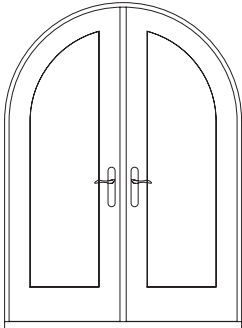
Pella Reserve Out-Swing French doors are available in custom shapes shown below, and additional shapes per drawing. For specifications, size limitations, and details on these units, contact your local Pella sales representative.



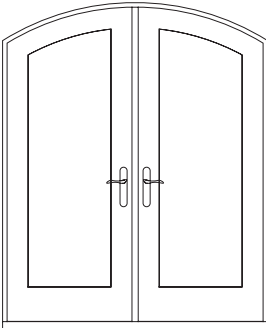
Full Springline



Full Arch Head



Full Springline



Full Arch Head



Pella® Reserve™ Traditional Out-Swing Patio Door

Size Tables

6' 7 1/2" Single Doors and Sidelight

Opening	1' 6 3/4" (476)	2' 2 1/8" (664)	2' 6 3/4" (781)	2' 10 1/4" (870)	3' 0 3/4" (933)	3' 2 5/8" (981)
Frame	1' 6" (457)	2' 1 3/8" (645)	2' 6" (762)	2' 9 1/2" (851)	3' 0" (914)	3' 1 7/8" (962)

6' 7 1/2" Double-Swing Doors

Opening	4' 2 3/4" (1 289)	5' 0" (1 524)	5' 7" (1 702)	6' 0" (1 829)	6' 3 3/4" (1 924)
Frame	4' 2" (1 270)	4' 11 1/4" (1 505)	5' 6 1/4" (1 682)	5' 11 1/4" (1 810)	6' 3" (1 905)

Not to scale.

Traditional grille patterns shown. Refer to Clad/Wood Overview section for additional patterns and profiles.

All doors and sidelights are glazed with tempered glass.

For windows and patio doors with impact-resistant glass, see product instructions or refer to local building code requirements.

Single doors - Left-hand shown. Right-hand and fixed are available.

Double-swing doors - Active-Passive shown. Passive-Active also available.

For Wood Units Only:

To determine masonry dimensions when using Pella 1-7/8" brickmould, add 1-5/8" to frame height and 3-1/8" to frame width. When using Pella 3-1/2" brickmould, add 6-3/8" to frame width and 3-1/4" to frame height.



Pella® Reserve™ Traditional Out-Swing Patio Door

Size Tables

6' 10" Single Doors and Sidelight

Opening	1' 6 3/4" (476)	2' 2 1/8" (664)	2' 6 3/4" (781)	2' 10 1/4" (870)	3' 0 3/4" (933)	3' 2 5/8" (981)
Frame	1' 6" (457)	2' 1 3/8" (645)	2' 6" (762)	2' 9 1/2" (851)	3' 0" (914)	3' 1 7/8" (962)

6' 10" Double-Swing Doors

Opening	4' 2 3/4" (1 289)	5' 0" (1 524)	5' 7" (1 702)	6' 0" (1 829)	6' 3 3/4" (1 924)
Frame	4' 2" (1 270)	4' 11 1/4" (1 505)	5' 6 1/4" (1 682)	5' 11 1/4" (1 810)	6' 3" (1 905)

7' 2" Single Doors and Sidelight

Opening	1' 6 3/4" (476)	2' 2 1/8" (664)	2' 6 3/4" (781)	2' 10 1/4" (870)	3' 0 3/4" (933)	3' 2 5/8" (981)
Frame	1' 6" (457)	2' 1 3/8" (645)	2' 6" (762)	2' 9 1/2" (851)	3' 0" (914)	3' 1 7/8" (962)

7' 2" Double-Swing Doors

Opening	4' 2 3/4" (1 289)	5' 0" (1 524)	5' 7" (1 702)	6' 0" (1 829)	6' 3 3/4" (1 924)
Frame	4' 2" (1 270)	4' 11 1/4" (1 505)	5' 6 1/4" (1 682)	5' 11 1/4" (1 810)	6' 3" (1 905)

Not to scale.

Traditional grille patterns shown. Refer to Clad/Wood Overview section for additional patterns and profiles.

All doors and sidelights are glazed with tempered glass.

For windows and patio doors with impact-resistant glass, see product instructions or refer to local building code requirements.

Single doors - Left-hand shown. Right-hand and fixed are available.

Double-swing doors - Active-Passive shown. Passive-Active also available.

For Wood Units Only:


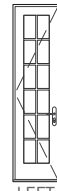
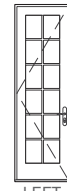
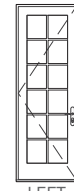

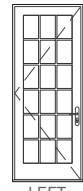
To determine masonry dimensions when using Pella 1-7/8" brickmould, add 1-5/8" to frame height and 3-1/8" to frame width. When using Pella 3-1/2" brickmould, add 6-3/8" to frame width and 3-1/4" to frame height.



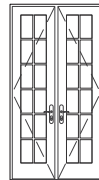
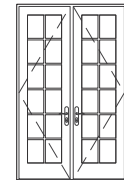
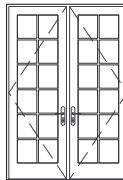
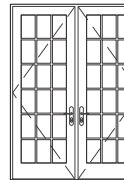
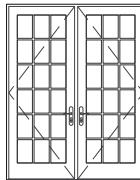
Pella® Reserve™ Traditional Out-Swing Patio Door

Size Tables

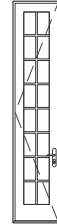
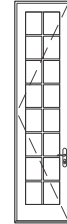
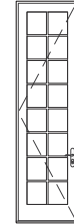
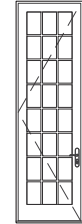
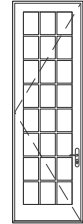
8' 0" Single Doors and Sidelight

Opening	1' 6 3/4" (476)	2' 2 1/8" (664)	2' 6 3/4" (781)	2' 10 1/4" (870)	3' 0 3/4" (933)	3' 2 5/8" (981)
Frame	1' 6" (457)	2' 1 3/8" (645)	2' 6" (762)	2' 9 1/2" (851)	3' 0" (914)	3' 1 7/8" (962)
(2 438) (2 426) 8' 0" 7' 11 1/2"						
	SIDELIGHT	LEFT	LEFT	LEFT	LEFT	LEFT
	1896	2696	3096	3496	3696	3896

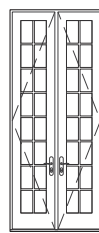
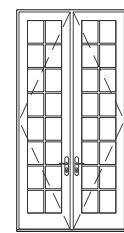
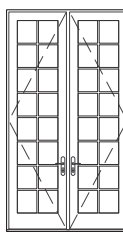
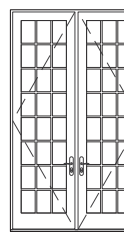
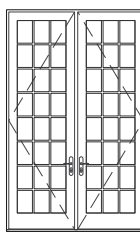
8' 0" Double-Swing Doors

Opening	4' 2 3/4" (1 289)	5' 0" (1 524)	5' 7" (1 702)	6' 0" (1 829)	6' 3 3/4" (1 924)
Frame	4' 2" (1 270)	4' 11 1/4" (1 505)	5' 6 1/4" (1 682)	5' 11 1/4" (1 810)	6' 3" (1 905)
(2 438) (2 426) 8' 0" 7' 11 1/2"					
	ACTIVE-PASSIVE	ACTIVE-PASSIVE	ACTIVE-PASSIVE	ACTIVE-PASSIVE	ACTIVE-PASSIVE
	5096	6096	6796	7296	7596

10' 0" Single Doors

Opening	2' 2 1/8" (664)	2' 6 3/4" (781)	2' 10 1/4" (870)	3' 0 3/4" (933)	3' 2 5/8" (981)
Frame	2' 1 3/8" (645)	2' 6" (762)	2' 9 1/2" (851)	3' 0" (914)	3' 1 7/8" (962)
(3 048) (3 035) 10' 0" 9' 11 1/2"					
	LEFT	LEFT	LEFT	LEFT	LEFT
	26120	30120	34120	36120	38120

10' 0" Double-Swing Doors

Opening	4' 2 3/4" (1 289)	5' 0" (1 524)	5' 7" (1 702)	6' 0" (1 829)	6' 3 3/4" (1 924)
Frame	4' 2" (1 270)	4' 11 1/4" (1 505)	5' 6 1/4" (1 682)	5' 11 1/4" (1 810)	6' 3" (1 905)
(3 048) (3 035) 10' 0" 9' 11 1/2"					
	ACTIVE-PASSIVE	ACTIVE-PASSIVE	ACTIVE-PASSIVE	ACTIVE-PASSIVE	ACTIVE-PASSIVE
	50120	60120	67120	72120	75120

Not to scale.

Traditional grille patterns shown. Refer to Clad/Wood Overview section for additional patterns and profiles.

All doors and sidelights are glazed with tempered glass.

For windows and patio doors with impact-resistant glass, see product instructions or refer to local building code requirements.

Single doors - Left-hand shown. Right-hand and fixed are available.

Double-swing doors - Active-Passive shown. Passive-Active also available.

For Wood Units Only:

To determine masonry dimensions when using Pella 1-7/8" brickmould, add 1-5/8" to frame height and 3-1/8" to frame width. When using Pella 3-1/2" brickmould, add 6-3/8" to frame width and 3-1/4" to frame height.



Size Tables

Wide Stile Transoms for Single Doors

		Opening	2' 2 1/8" (664)	2' 6 3/4" (781)	2' 10 1/4" (870)	3' 0 3/4" (933)	3' 2 5/8" (981)
		Frame	2' 1 3/8" (645)	2' 6" (762)	2' 9 1/2" (851)	3' 0" (914)	3' 1 7/8" (962)
(451) (432)	1' 5"						
	2' 1 3/4"						
(654) (635)	2' 1"						

Standard Stile Transoms for Single Doors

(451) (432)	1' 5"					
	2' 1 3/4"					
(654) (635)	2' 1"					

Fixed Frame Direct Sets for Single Doors

(451) (432)	1' 5"					
	2' 1 3/4"					
(654) (635)	2' 1"					

Wide Stile Transoms for Double-Swing Doors

		Opening	4' 2 3/4" (1 289)	5' 0" (1 524)	5' 7" (1 702)	6' 0" (1 829)	6' 3 3/4" (1 924)
		Frame	4' 2" (1 270)	4' 11 1/4" (1 505)	5' 6 1/4" (1 682)	5' 11 1/4" (1 810)	6' 3" (1 905)
(451) (432)	1' 5"						
	2' 1 3/4"						
(654) (635)	2' 1"						

Standard Stile Transoms for Double-Swing Doors

(451) (432)	1' 5"					
	2' 1 3/4"					
(654) (635)	2' 1"					

Fixed Frame Direct Sets for Double-Swing Doors

(451) (432)	1' 5"					
	2' 1 3/4"					
(654) (635)	2' 1"					

Not to scale.

Tempered glass is standard.

Traditional grille patterns shown. Refer to Clad/Wood Overview section for additional patterns and profiles.



Special Sizes and Dimensions

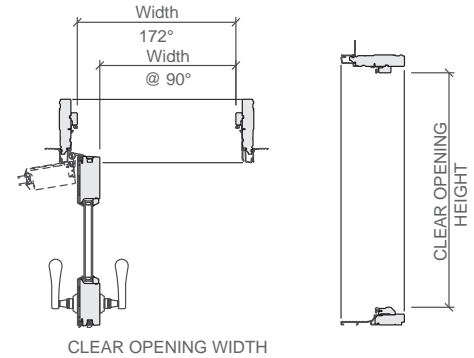
Special Size Frame Dimensions

Door Type	Non-Impact Glazing				Products with Impact-Resistant Glass ²			
	Frame Width		Frame Height		Frame Width		Frame Height	
	Minimum	Maximum	Minimum	Maximum	Minimum	Maximum	Minimum	Maximum
Transoms	25-3/8" (645)	75" (1 905)	14" (356)	25" (635)	25-3/8" (645)	75" (1 905)	14" (356)	25" (635)
Sidelights (Fixed)	18" (457)	65" (457)	36" (914)	119-1/2" (3 035)	12" (305)	42" (1 067)	48" (1 219)	96" (2 438)
Single Doors	18" (457)	48" (1 219)	36" (914)	119-1/2" (3 035)	24" (610)	37-7/8" (962)	76-3/8" (1 940)	119-1/2" (3 035)
Double Doors	36" (914)	96" (2 438)	36" (914)	119-1/2" (3 035)	48" (1 219)	75" (1 905)	73-3/8" (1 864)	119-1/2" (3 035)

Miscellaneous Formulas

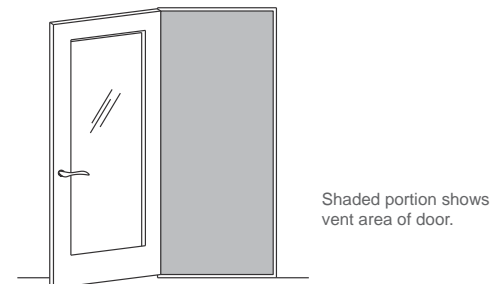
	Visible Glass		Actual Glass	
	Width	Height	Width	Height
Transoms — Fixed Frame Direct Set	FW - 3-1/4"	FH - 3-1/4"	FW - 2"	FH - 2"
Transoms — Fixed Casement	FW - 5-3/4"	FH - 5-3/4"	FW - 4-3/8"	FH - 4-3/8"
Transoms — Wide Stile Casement	FW - 11-5/8"		FW - 10-1/4"	
Sidelights (Fixed)	FW - 6-5/8"	FH - 15-3/4"	FW - 5-5/8"	FH - 4-3/8"
Single Doors	FW - 11-5/8"		FW - 10-5/8"	
Double Doors	(FW ÷ 2) - 11-1/4"		(FW ÷ 2) - 10-1/4"	

Clear Opening Schematic



Clad and Wood Clear Opening Dimensions

	Clad and Wood		Height
		Width	
Clear Opening (@ 90°)	Single Door	FW - 5-3/8"	FH - 3-1/16"
	Double Doors (Active/Single Panel)	(FW ÷ 2) - 5"	
	Double Doors (Both Panels)	(FW ÷ 2) - 7-7/16"	
Clear Opening (@ 172°)	Single Door	FW - 3-5/16"	FH - 3-1/16"
	Double Doors (Active/Single Panel)	(FW ÷ 2) - 2-15/16"	
	Double Doors (Both Panels)	(FW ÷ 2) - 3-15/16"	



FW = Frame Width, FH = Frame Height

(1) Available within size range shown.

(2) Rectangular Units Only.

Keep frame dimensions to the nearest 1/8" increment.



Pella® Reserve™ Traditional Out-Swing Patio Door

Design Data

Out-Swing Design Data											
Unit	Clear Opening (Inches)					Vent Area Ft ²	Vent Area (ADA) Ft ²	Visible Glass Ft ²	Standard Glass Thickness (mm) Tempered	Performance Class & Grade ³	
	Width ¹		Standard Sill Unit Height	ADA Sill Unit Height ²							
	170°	90°									
2680	F	—	—	—	—	—	—	6.1	3	LC70	
3080	F	—	—	—	—	—	—	8.1	3	LC70	
3480	F	—	—	—	—	—	—	9.7	3	LC70	
3680	F	—	—	—	—	—	—	10.8	3	LC70	
3880	F	—	—	—	—	—	—	11.6	3	LC70	
6' 7-1/2" Doors	2680	L/R	22-1/16	20	76-1/4	77-7/16	11.3	11.5	6.1	3	LC70
	3080	L/R	26-11/16	24-5/8	76-1/4	77-7/16	13.8	14.0	8.1	3	LC70
	3480	L/R	30-3/16	28-1/8	76-1/4	77-7/16	15.6	15.9	9.7	3	LC70
	3680	L/R	32-11/16	30-5/8	76-1/4	77-7/16	17.0	17.2	10.8	3	LC70
	3880	L/R	34-9/16	32-1/2	76-1/4	77-7/16	17.9	18.2	11.6	3	LC70
	5080	PA/AP	46-11/16 / 22-1/16	42-9/16 / 20	76-1/4	77-7/16	24.5	24.9	12.2	3	LC70
	6080	PA/AP	55-15/16 / 26-11/16	51-13/16 / 24-5/8	76-1/4	77-7/16	29.4	29.9	16.3	3	LC70
	6780	PA/AP	62-15/16 / 30-5/16	58-13/16 / 28-1/8	76-1/4	77-7/16	33.1	33.7	19.4	3	LC70
	7280	PA/AP	67-15/16 / 32-11/16	63-13/16 / 30-5/8	76-1/4	77-7/16	35.8	36.3	21.6	3	LC70
	7580	PA/AP	71-9/16 / 34-5/8	67-9/16 / 32-1/2	76-1/4	77-7/16	37.7	38.4	23.2	3	LC70
6' 10" Doors	3082	F	—	—	—	—	—	8.4	3	LC70	
	3682	F	—	—	—	—	—	11.1	3	LC70	
	2682	L/R	22-1/16	20	78-1/4	79-7/16	11.6	11.8	6.3	3	LC70
	3082	L/R	26-11/16	24-5/8	78-1/4	79-7/16	14.2	14.4	8.4	3	LC70
	3482	L/R	30-3/16	28-1/8	78-1/4	79-7/16	16.0	16.3	10.0	3	LC70
	3682	L/R	32-11/16	30-5/8	78-1/4	79-7/16	17.4	17.7	11.1	3	LC70
	3882	L/R	34-9/16	32-1/2	78-1/4	79-7/16	18.4	18.7	12.0	3	LC70
	5082	PA/AP	46-11/16 / 22-1/16	42-9/16 / 20	78-1/4	79-7/16	25.2	25.6	12.6	3	LC70
	6082	PA/AP	55-15/16 / 26-11/16	51-13/16 / 24-5/8	78-1/4	79-7/16	30.2	30.7	16.8	3	LC70
	6782	PA/AP	62-15/16 / 30-5/16	58-13/16 / 28-1/8	78-1/4	79-7/16	34.0	34.5	20.0	3	LC70
7282	PA/AP	67-15/16 / 32-11/16	63-13/16 / 30-5/8	78-1/4	79-7/16	36.7	37.3	22.3	3	LC70	
7582	PA/AP	71-9/16 / 34-5/8	67-9/16 / 32-1/2	78-1/4	79-7/16	38.7	39.3	24.0	3	LC70	

(—) = Not applicable

(1) All dimensions are approximate to the nearest 1/16". The second value, where shown, provides the clear opening for the active panel only.

(2) Water resistance is 0 psf for units with a low profile sill.

(3) Maximum performance when glazed with the appropriate glass thickness.

All doors and sidelights are glazed with tempered glass.



Pella® Reserve™ Traditional Out-Swing Patio Door

Design Data

Out-Swing Design Data										
	Unit	Clear Opening (Inches)				Vent Area Ft ²	Vent Area (ADA) Ft ²	Visible Glass Ft ²	Standard Glass Thickness (mm) Tempered	Performance Class & Grade ³
		Width ¹		Standard Sill Unit Height	ADA Sill Unit Height ²					
		170°	90°							
7' 2" Doors	3086 F	—	—	—	—	—	—	9.0	3	LC70
	3686 F	—	—	—	—	—	—	11.9	3	LC70
	2686 L/R	22-1/16	20	82-3/4	83-15/16	12.3	12.5	6.7	3	LC70
	3086 L/R	26-11/16	24-5/8	82-3/4	83-15/16	15.0	15.2	9.0	3	LC70
	3486 L/R	30-3/16	28-1/8	82-3/4	83-15/16	17.0	17.2	10.7	3	LC70
	3686 L/R	32-11/16	30-5/8	82-3/4	83-15/16	18.4	18.7	11.9	3	LC70
	3886 L/R	34-9/16	32-1/2	82-3/4	83-15/16	19.5	19.8	12.8	3	LC70
	5086 PA/AP	46-11/16 / 22-1/16	42-9/16 / 20	82-3/4	83-15/16	26.6	27.0	13.4	3	LC70
	6086 PA/AP	55-15/16 / 26-11/16	51-13/16 / 24-5/8	82-3/4	83-15/16	31.9	32.4	17.9	3	LC70
	6786 PA/AP	62-15/16 / 30-5/16	58-13/16 / 28-1/8	82-3/4	83-15/16	36.0	36.5	21.3	3	LC70
	7286 PA/AP	67-15/16 / 32-11/16	63-13/16 / 30-5/8	82-3/4	83-15/16	38.8	39.4	23.8	3	LC70
7586 PA/AP	71-9/16 / 34-5/8	67-9/16 / 32-1/2	82-3/4	83-15/16	41.0	41.6	25.6	3	LC70	
8' 0" Doors	3096 F	—	—	—	—	—	—	10.2	3	LC70
	3696 F	—	—	—	—	—	—	13.5	3	LC70
	2696 L/R	22-1/16	20	92-1/4	93-7/16	13.7	13.9	7.6	3	LC70
	3096 L/R	26-11/16	24-5/8	92-1/4	93-7/16	16.7	16.9	10.2	3	LC70
	3496 L/R	30-3/16	28-1/8	92-1/4	93-7/16	18.9	19.2	12.1	3	LC70
	3696 L/R	32-11/16	30-5/8	92-1/4	93-7/16	20.5	20.8	13.5	3	LC70
	3896 L/R	34-9/16	32-1/2	92-1/4	93-7/16	21.7	22.0	14.5	3	LC70
	5096 PA/AP	46-11/16 / 22-1/16	42-9/16 / 20	92-1/4	93-7/16	29.7	30.1	15.2	3	LC70
	6096 PA/AP	55-15/16 / 26-11/16	51-13/16 / 24-5/8	92-1/4	93-7/16	35.6	36.1	20.4	3	LC70
	6796 PA/AP	62-15/16 / 30-5/16	58-13/16 / 28-1/8	92-1/4	93-7/16	40.1	40.6	24.2	3	LC70
	7296 PA/AP	67-15/16 / 32-11/16	63-13/16 / 30-5/8	92-1/4	93-7/16	43.3	43.9	27.0	3	LC70
7596 PA/AP	71-9/16 / 34-5/8	67-9/16 / 32-1/2	92-1/4	93-7/16	45.7	46.3	29.1	3	LC70	
10' 0" Doors	30120 F	—	—	—	—	—	—	13.2	5	LC50
	36120 F	—	—	—	—	—	—	17.6	5	LC50
	26120 L/R	22-1/16	20	116-1/4	117-7/16	17.3	17.5	9.9	5	LC50
	30120 L/R	26-11/16	24-5/8	116-1/4	117-7/16	21.0	21.3	13.2	5	LC50
	34120 L/R	30-3/16	28-1/8	116-1/4	117-7/16	23.9	24.1	15.8	5	LC50
	36120 L/R	32-11/16	30-5/8	116-1/4	117-7/16	25.9	26.2	17.6	5	LC50
	38120 L/R	34-9/16	32-1/2	116-1/4	117-7/16	27.4	27.7	18.9	5	LC50
	50120 PA/AP	46-11/16 / 22-1/16	42-9/16 / 20	116-1/4	117-7/16	37.5	37.9	19.8	5	LC50
	60120 PA/AP	55-15/16 / 26-11/16	51-13/16 / 24-5/8	116-1/4	117-7/16	44.9	45.4	26.5	5	LC50
	67120 PA/AP	62-15/16 / 30-5/16	58-13/16 / 28-1/8	116-1/4	117-7/16	50.5	51.1	31.5	5	LC50
	72120 PA/AP	67-15/16 / 32-11/16	63-13/16 / 30-5/8	116-1/4	117-7/16	54.6	55.2	35.1	5	LC50
75120 PA/AP	71-9/16 / 34-5/8	67-9/16 / 32-1/2	116-1/4	117-7/16	57.6	58.2	37.8	5	LC50	

(-) = Not applicable

All doors and sidelights are glazed with tempered glass.

(1) All dimensions are approximate to the nearest 1/16". The second value, where shown, provides the clear opening for the active panel only.

To convert areas to square meters (m²), multiply square feet by 0.0929.

(2) Water resistance is 0 psf for units with a low profile sill.

(3) Maximum performance when glazed with the appropriate glass thickness.



Pella® Reserve™ Traditional Out-Swing Patio Door

Design Data

Transoms — Fixed Frame Direct Set					
Unit	Visible Glass Ft ²	Standard Glass Thickness (mm)			Performance Class & Grade ²
		Dual-Pane Glazing		Triple-Pane Glazing	
		Annealed	Tempered	Annealed or Tempered	
2617	2.1	3	3	3	CW90
2625	3.3	3	3	3	CW90
3017	2.6	3	3	3	CW90
3025	4.0	3	3	3	CW90
3417	2.9	3	3	3	CW90
3425	4.6	3	3	3	CW90
3617	3.1	3	3	3	CW90
3625	4.9	3	3	3	CW90
3817	3.3	3	3	3	CW90
3825	5.2	3	3	3	CW90
5017	4.5	3	3	3	CW90
5025	7.1	3	3	3	CW75
6017	5.3	3	3	3	CW90
6025	8.5	3	3	3	CW55
6717	6.0	3	3	3	CW60
6725	9.5	3	3	3	CW50
7217	6.5	3	3	3	CW60
7225	10.3	3	3	3	CW45
7517	6.8	3	3	3	CW60
7525	10.8	3	3	3	CW45

Transoms — Fixed Casement					
2617	1.5	2.5	3	3	CW50
2625	2.6	2.5	3	3	CW50
3017	1.9	2.5	3	3	CW50
3025	3.2	2.5	3	3	CW50
3417	2.2	2.5	3	3	CW50
3425	3.7	2.5	3	3	CW50
3617	2.4	2.5	3	3	CW50
3625	4.0	2.5	3	3	CW50
3817	2.5	2.5	3	3	CW50
3825	4.3	2.5	3	3	CW50
5017	3.5	2.5	3	3	CW50
5025	5.9	2.5	3	3	CW50
6017	4.2	2.5	3	3	CW50
6025	7.2	2.5	3	3	CW45/CW50
6717	4.7	2.5	3	3	R15i
6725	8.1	2.5	3	3	R15i
7217	5.1	—	3	3	R15i
7225	8.8	2.5	3	3	R15i
7517	5.4	—	3	3	R15i
7525	9.3	2.5	3	3	R15i

Transoms — Wide Stile Casement					
Unit	Visible Glass Ft ²	Standard Glass Thickness (mm)			Performance Class & Grade ²
		Dual-Pane Glazing		Triple-Pane Glazing	
		Annealed	Tempered	Annealed or Tempered	
2617	1.1	2.5	3	3	CW50
2625	1.8	2.5	3	3	CW50
3017	1.4	2.5	3	3	CW50
3025	2.5	2.5	3	3	CW50
3417	1.7	2.5	3	3	CW50
3425	2.9	2.5	3	3	CW50
3617	1.9	2.5	3	3	CW50
3625	3.3	2.5	3	3	CW50
3817	2.1	2.5	3	3	CW50
3825	3.5	2.5	3	3	CW50
5017	3.0	2.5	3	3	CW50
5025	5.1	2.5	3	3	CW50
6017	3.7	2.5	3	3	CW50
6025	6.4	2.5	3	3	CW50
6717	4.3	2.5	3	3	R15i
6725	7.3	2.5	3	3	R15i
7217	4.7	2.5	3	3	R15i
7225	8.0	2.5	3	3	R15i
7517	5.0	—	3	3	R15i
7525	8.5	2.5	3	3	R15i

Sidelights					
1880	5.0	—	3	3	LC70
1882	5.2	—	3	3	LC70
1886	5.5	—	3	3	LC70
1896	6.3	—	3	3	LC70

(—) = Not applicable

(1) Units are not AAMA/WDMA performance certified. Units are engineered to meet the performance class and grade shown.

(2) Maximum performance when glazed with the appropriate glass thickness. Second number indicates Performance Upgrade Class and Grade, Performance upgrade requires specific installation methods to meet the stated performance.

All doors and sidelights are glazed with tempered glass.

To convert areas to square meters (m²), multiply square feet by 0.0929.



Detailed Product Descriptions - Aluminum-Clad Exterior

Frame

- Select softwood, immersion treated with Pella's EnduraGuard® wood protection formula in accordance with WDMA I.S.-4. The EnduraGuard formula includes three active ingredients for protection against the effects of moisture, decay, stains from mold and mildew. Plus, an additional ingredient adds protection against termite damage.
- Interior exposed surfaces are [clear pine] [mahogany] [douglas fir], edge-banded and veneered on straight members. Curved members may have finger-jointed surfaces.
- Exterior surfaces are clad with aluminum at the head and jambs.
- Components are assembled with screws, staples and concealed corner locks.
- Frame depth is 5-7/8" (149mm) for a wall depth of 4-9/16" (116mm).
- Jamb extensions available to adapt door to wall thickness between 4-9/16" (116mm) to 7" (178mm).
- Optional factory-applied EnduraClad® exterior trim.
- Solid extruded aluminum sill with [Mill] [Nickel] [Bronze] [Black] [anodized to match anodized cladding] finish. [Mahogany threshold for mahogany door] [[oak] [composite black] threshold for [pine] [douglas fir] door].
- or -
- Sill is 1/2" low profile. Material and finish is extruded aluminum with [mill] [bronze] [anodized to match anodized cladding] finish.

Door panels

- Select softwood, immersion treated with Pella's EnduraGuard® wood protection formula in accordance with WDMA I.S.-4. The EnduraGuard formula includes three active ingredients for protection against the effects of moisture, decay, stains from mold and mildew. Plus, an additional ingredient adds protection against termite damage.
- Interior exposed surfaces are veneered with [clear pine] [mahogany] [douglas fir] on straight members. Curved members may have finger-jointed surfaces.
- Exterior surfaces are clad with extruded aluminum.
- Panel stiles and rails are three-ply construction, randomly finger-jointed blocks laminated with water-resistant glue and veneered on both sides.
- Units over 8' height have panel stiles constructed with LVL core with finger-jointed edge bands on both sides and veneered on both faces.
- Corners are urethane-silicone hybrid sealed and secured with metal fasteners.
- Panel thickness is 2-1/16" (52mm).
- Panel exterior profile is [ogee] [putty glaze], interior profile is ogee.

Weatherstripping

- Dual-durometer extruded polymer along jambs, head and sill.
- Dual-durometer extruded polymer rainscreen along top and sides of panel.
- Bristle rainscreen along bottom of panel.

Glazing System

- Quality fully-tempered float glass complying with ASTM C 1048.
- Custom and high altitude glazing available.
- Silicone-glazed, 13/16" double-pane, dual-seal, insulating glass
 - [Clear] [Obscure] [Reflective Bronze] with air.
 - [Obscure Low-E with [argon][air]] [Advanced] [AdvancedComfort] [SunDefense™] [SunDefense+] [NaturalSun] [NaturalSun+] Low-E [with argon]].
 - [Bronze] [Gray] [Green] Advanced Low-E [with argon].
- or -
- Silicone-glazed, 13/16" double-pane, dual-seal, laminated, insulating glass
 - Clear with air.
 - [Advanced Low-E] [SunDefense™ Low-E] with argon.
 - [Bronze] [Gray] [Green] Advanced Low-E with argon.
- or -
- Silicone-glazed, 1" triple-pane, dual-seal, insulating glass
 - [Obscure Low-E [with argon]] [Advanced] [SunDefense™] [NaturalSun] Low-E [with argon].
- or -
- Silicone-glazed, 7/8" double-pane, dual-seal, impact-resistant, laminated, insulating glass
 - Clear with air.
 - [Bronze] [Gray] [Green] with air.
 - [Advanced] [SunDefense™] Low-E with argon.

Exterior

- Aluminum clad exteriors shall be finished with EnduraClad® protective finish, in a multi-step, baked-on finish.
 - Color is [Standard] [feature] [custom]¹.
- or -
- Aluminum clad exteriors shall be finished with EnduraClad Plus protective finish with 70% fluoropolymer resin in a multi-step, baked-on finish.
 - Color is [Standard] [feature] [custom]¹.

Interior

- [Unfinished, ready for site finishing] [factory primed with one coat acrylic latex] [factory prefinished [paint] [stain]¹].

Hardware

Hinges

- Adjustable hinges standard to assist in installation.
- Doors 6' 10" to 7' 0" frame height will have three (3) hinges.
- Doors over 7' 0" frame height up to and including 8' 0" frame height will have four (4) hinges.
- Doors over 8' 3" frame height up to and including 9' 0" frame height will have five (5) hinges.
- Doors over 9' 0" frame height will have six (6) hinges.
- Hinge color to match exterior cladding.

Locks

- Mortised and keyed multi-point locking system, center deadbolt and shoot-bolts at head and sill will engage simultaneously.
- Doors 8' 0" frame height and below will have one (1) strike at the head, one (1) strike at the sill and one (1) center deadbolt.
- Doors over 8' 0" frame height up to and including 10' 0" frame height will have one (1) strike at the head, one (1) strike at the sill and three (3) locking points at the stile.
- Solid brass handles and keylock with K-keyway cylinder.
- Key cylinder finish is [Brass] [Stainless Steel] [Matte Black].

Finish

- Hardware finish is (Handle, Hinges and Strike) [baked enamel [White] [Champagne] [Brown] [Matte Black]] [Satin Brass] [Satin Nickel]] [Oil-Rubbed Bronze] [Distressed Bronze] [Distressed Nickel] [Polished Nickel] [Polished Chrome].

Optional Products

Grilles

- Integral Light Technology® Grilles
 - Interior grilles are [5/8"] [7/8"] [1-1/4"] [2"] ogee profile that are solid [pine] [mahogany] [douglas fir]. Interior surfaces are [unfinished, ready for site finishing] [factory primed] [pine: factory prefinished [paint] [stain]¹].
 - Exterior grilles are [5/8" putty glaze profile] [7/8" [putty glaze] [ogee] profile]] [1-1/4" putty glaze] [ogee] profile] [2" ogee profile] that are extruded aluminum.
 - Patterns are [Traditional] [Prairie] [Top Row] [Cross] [New England] [Victorian].
 - Insulating glass contains non-glare spacer between the panes of glass.
 - Grilles are adhered to both sides of the insulating glass with VHB acrylic adhesive tape and aligned with spacer.
- or -
- Grilles-Between-the-Glass²
 - Insulating glass contains 3/4" contoured aluminum grilles permanently installed between two panes of glass (exterior air-space on triple-pane insulating glass).
 - Patterns are [Traditional] [Prairie] [Cross] [Top Row]
 - Interior color is [White] [Tan₃] [Brown₃] [Putty₃] [Black] [Ivory] [Harvest] [Cordova] [Brickstone].
 - Exterior color⁴ is [Standard]¹.

Sensors

- Optional factory installed integrated security sensors available in vent units.

(1) Contact your local Pella sales representative for current color options.

(2) Available in clear or Low-E insulating glass only.

(3) Tan, Brown or Putty Interior GBG colors are available in single-tone (Brown/Brown, Tan/Tan or Putty/Putty). Other interior colors are also available with Tan or Brown exterior.

(4) Appearance of exterior grille color will vary depending on Low-E coating on glass.



Detailed Product Descriptions - Wood Exterior

Frame

- Select softwood, immersion treated with Pella's EnduraGuard® wood protection formula in accordance with WDMA I.S.-4. The EnduraGuard formula includes three active ingredients for protection against the effects of moisture, decay, stains from mold and mildew. Plus, an additional ingredient adds protection against termite damage.
- Interior and exterior surfaces are [pine] [mahogany]. Any curved members may have visible finger-jointed surfaces.
- Exterior surfaces are [pine: primed] [mahogany: [primed] [ready to stain]]. Curved members may have finger jointed surfaces.
- Overall frame depth is 4-9/16" (116mm).
- Jamb extensions available to adapt door to wall thickness between 4-9/16" (116mm) to 7" (178mm).
- Solid extruded aluminum sill with [Mill] [Nickel] [Bronze] [Black] [anodized [Clear] [Light Bronze] [Dark Bronze] [Black] [Custom₃]] finish. [Mahogany threshold for mahogany door] [[oak] [composite black] threshold for [pine] [douglas fir] door].
- or -
- Sill is 1/2" low profile. Material and finish are extruded aluminum with [mill] [Bronze] [anodized [Clear] [Light Bronze] [Dark Bronze] [Black] [Custom₃]] finish.

Door panels

- Select softwood, immersion treated with Pella's EnduraGuard® wood protection formula in accordance with WDMA I.S.-4. The EnduraGuard formula includes three active ingredients for protection against the effects of moisture, decay, stains from mold and mildew. Plus, an additional ingredient adds protection against termite damage.
- Interior exposed surfaces are veneered with [pine] [mahogany]. Any curved members may have visible finger-jointed surfaces.
- Exterior surfaces are [wood composite: factory primed] [mahogany [factory primed] [unfinished, ready for site finishing]].
- Panel stiles and rails are five-ply construction, randomly finger-jointed blocks laminated with water-resistant glue and veneered on both sides.
- Corners are urethane-silicone hybrid sealed and secured with metal fasteners.
- Panel thickness is 2-1/16" (52mm).

Weatherstripping

- Dual-durometer extruded polymer along jambs, head and sill.
- Dual durometer extruded polymer rainscreen along top and sides of panel.
- Bristle rainscreen along bottom of panel.

Glazing System

- Quality fully-tempered float glass complying with ASTM C 1048.
- Custom and high altitude glazing available.
- Silicone-glazed, 13/16" double-pane, dual-seal, insulating glass
 - [Clear] [Obscure] [Reflective Bronze] with air.
 - [Obscure Low-E [with argon]] [Advanced] [AdvancedComfort] [SunDefense™] [SunDefense+] [NaturalSun] [NaturalSun+] Low-E [with argon]].
 - [Bronze] [Gray] [Green] Advanced Low-E [with argon].
 - or -
- Silicone-glazed, 13/16" double-pane, dual-seal, laminated, insulating glass
 - Clear with air.
 - [Advanced] [SunDefense™] Low-E with argon.
 - [Bronze] [Gray] [Green] Advanced Low-E with argon.
 - or -
- Silicone-glazed, 1" triple-pane, dual-seal, insulating glass
 - [Obscure Low-E [with argon]] [Advanced] [SunDefense™] [NaturalSun] Low-E [with argon]].

Exterior

- [Wood composite: primed with one coat acrylic latex] [mahogany: [primed with one coat acrylic latex] [Unfinished, ready for site finishing]].

Interior

- [Unfinished, ready for site finishing] [factory primed with one coat acrylic latex] [factory prefinished [paint] [stain]₃].

Hardware

Hinges

- Adjustable hinges standard to assist in installation.
- Doors 6' 10" to 7' 0" frame height will have three (3) hinges.
- Doors over 7' 0" frame height up to and including 8' 0" frame height will have four (4) hinges.
- Doors over 8' 3" frame height up to and including 9' 0" frame height will have five (5) hinges.
- Doors over 9' 0" frame height will have six (6) hinges.
- Hinge color is White on primed units, Brown on unfinished.

Locks

- Mortised and keyed multi-point locking system, center deadbolt and shoot-bolts at head and sill will engage simultaneously.
- Doors 8' 0" frame height and below will have one (1) strike at the head, one (1) strike at the sill and one (1) center deadbolt.
- Doors over 8' 0" frame height up to and including 10' 0" frame height will have one (1) strike at the head, one (1) strike at the sill and three (3) locking points at the stile.
- Solid brass handles and keylock with K-keyway cylinder.
- Key cylinder finish is [Brass] [Stainless Steel] [Matte Black].

Finish

- Hardware finish is (Handle, Hinges and Strike) [baked enamel [White] [Champagne] [Brown] [Matte Black]] [Satin Brass] [Satin Nickel]] [Oil-Rubbed Bronze] [Distressed Bronze] [Distressed Nickel] [Polished Nickel] [Polished Chrome].

Optional Products

Grilles

- Integral Light Technology® Grilles
 - Interior grilles are [5/8"] [7/8"] [1-1/4"] ogee profile that are solid [pine] [mahogany]. Interior surfaces are [unfinished, ready for site finishing] [factory primed] [pine: factory prefinished [paint] [stain] ₃].
 - Exterior grilles are [5/8"] [7/8"] [1-1/4"] putty glaze profile that are solid [pine] [mahogany]. Exterior surfaces are water repellent, preservative-treated in accordance with WDMA I.S.-4, and are [unfinished, ready for site finishing] [factory primed].
 - Patterns are [Traditional] [Prairie] [Top Row] [Cross] [New England] [Victorian].
 - Insulating glass contains non-glare spacer between the panes of glass.
 - Grilles are adhered to both sides of the insulating glass with VHB acrylic adhesive tape and aligned with spacer.
 - or -
- Grilles-Between-the-Glass₂
 - Insulating glass contains 3/4" contoured aluminum grilles permanently installed between two panes of glass (exterior air-space on triple-pane insulating glass).
 - Patterns are [Traditional] [Prairie] [Cross] [Top Row]
 - Interior color is [White] [Tan₂] [Brown₂] [Putty₂] [Black] [Ivory] [Harvest] [Cordovan] [Brickstone].
 - Exterior color₄ is [standard₃].

(1) Available in clear or Low-E insulating glass with argon, and obscure insulated glass.

(2) Tan, Brown or Putty Interior GBG colors are available in single-tone (Brown/Brown, Tan/Tan or Putty/Putty). Other interior colors are also available with Tan or Brown exterior.

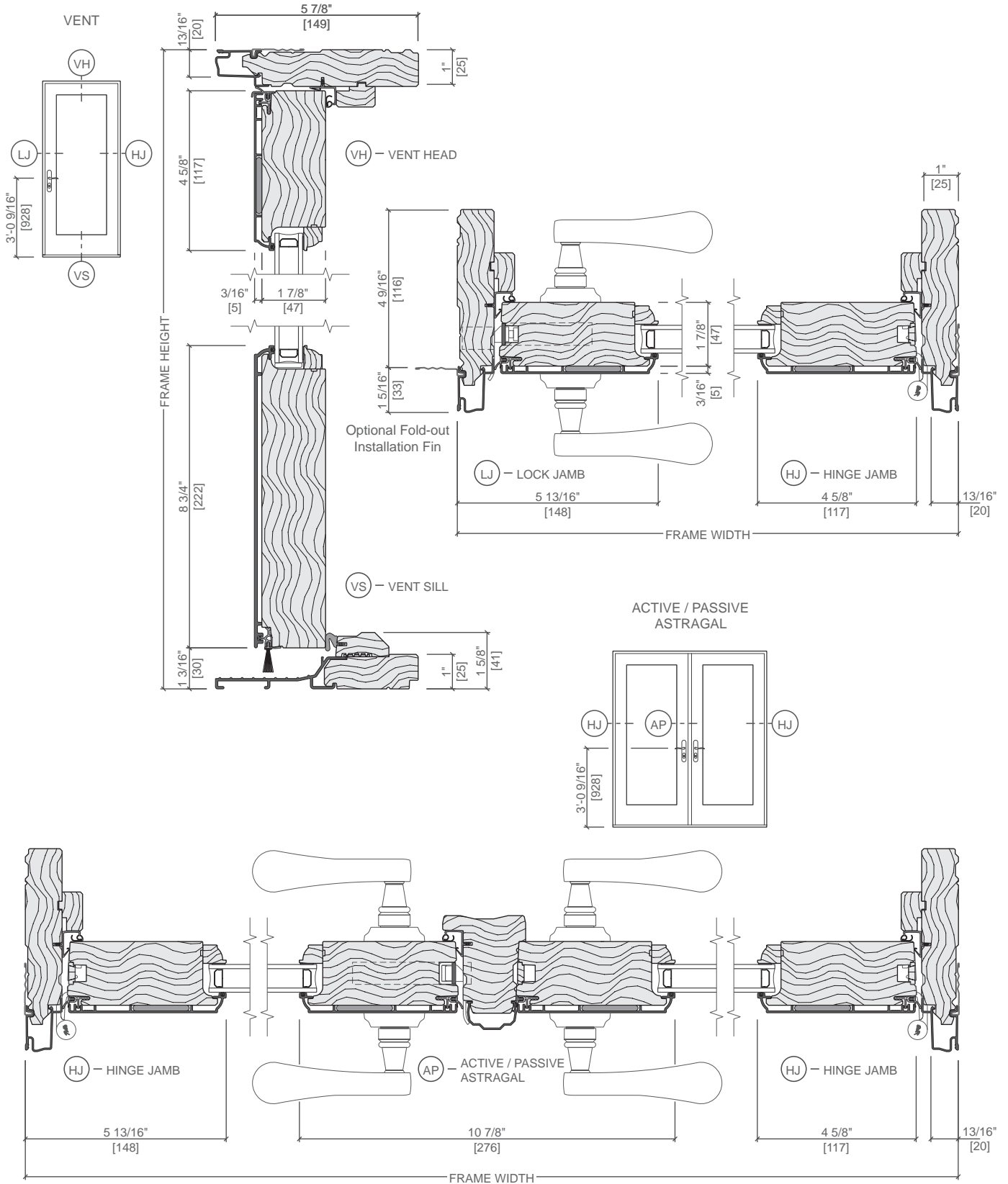
(3) Contact your local Pella sales representative for current color options.

(4) Appearance of exterior grille color will vary depending on Low-E coating on glass.



Pella® Reserve™ Traditional Out-Swing Patio Door

Unit Sections – Aluminum-Clad Exterior, Ogee Exterior Profile



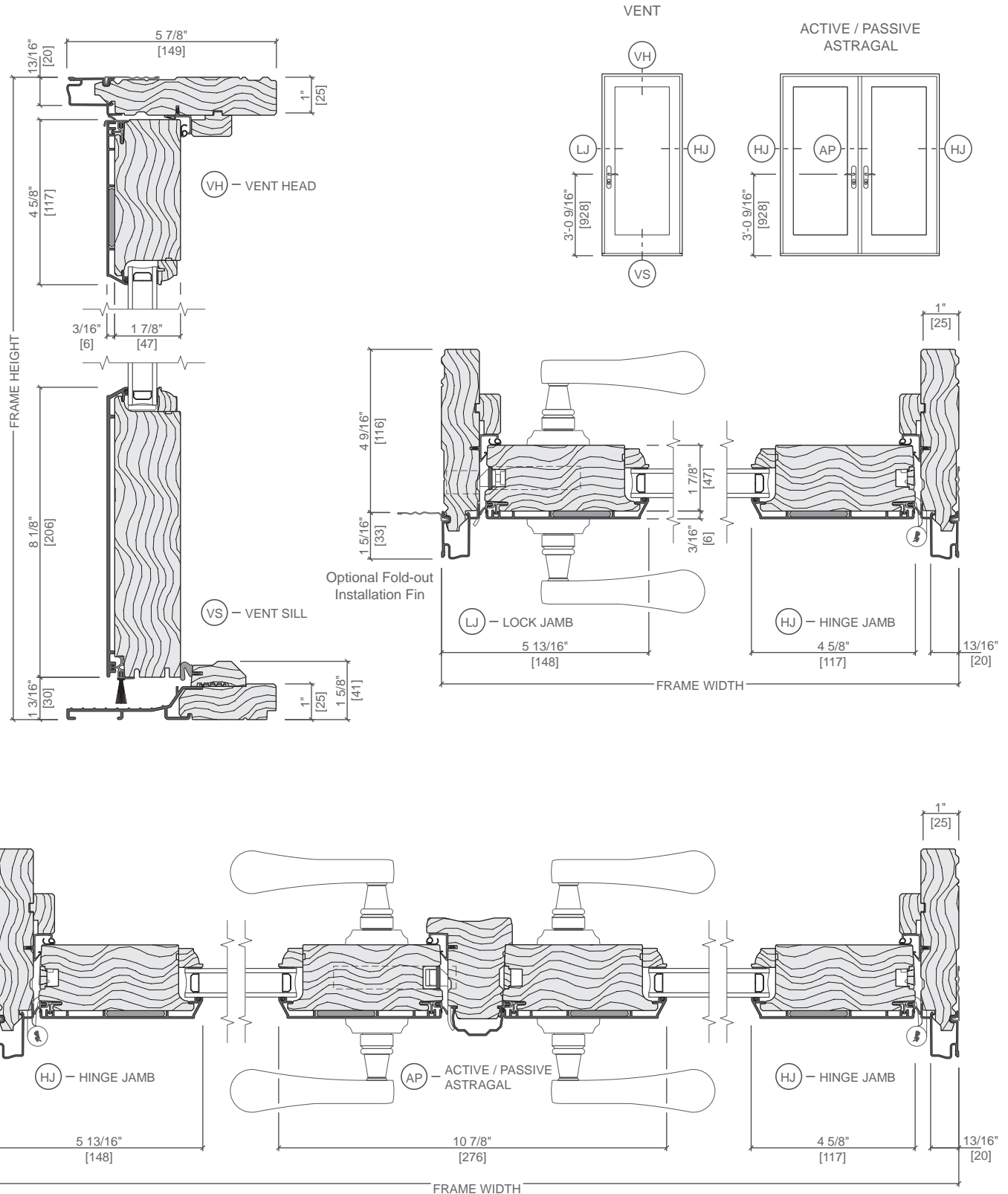
Scale 3" = 1' 0"

All dimensions are approximate.



Pella® Reserve™ Traditional Out-Swing Patio Door

Unit Sections – Aluminum-Clad Exterior, Putty Glaze Exterior Profile



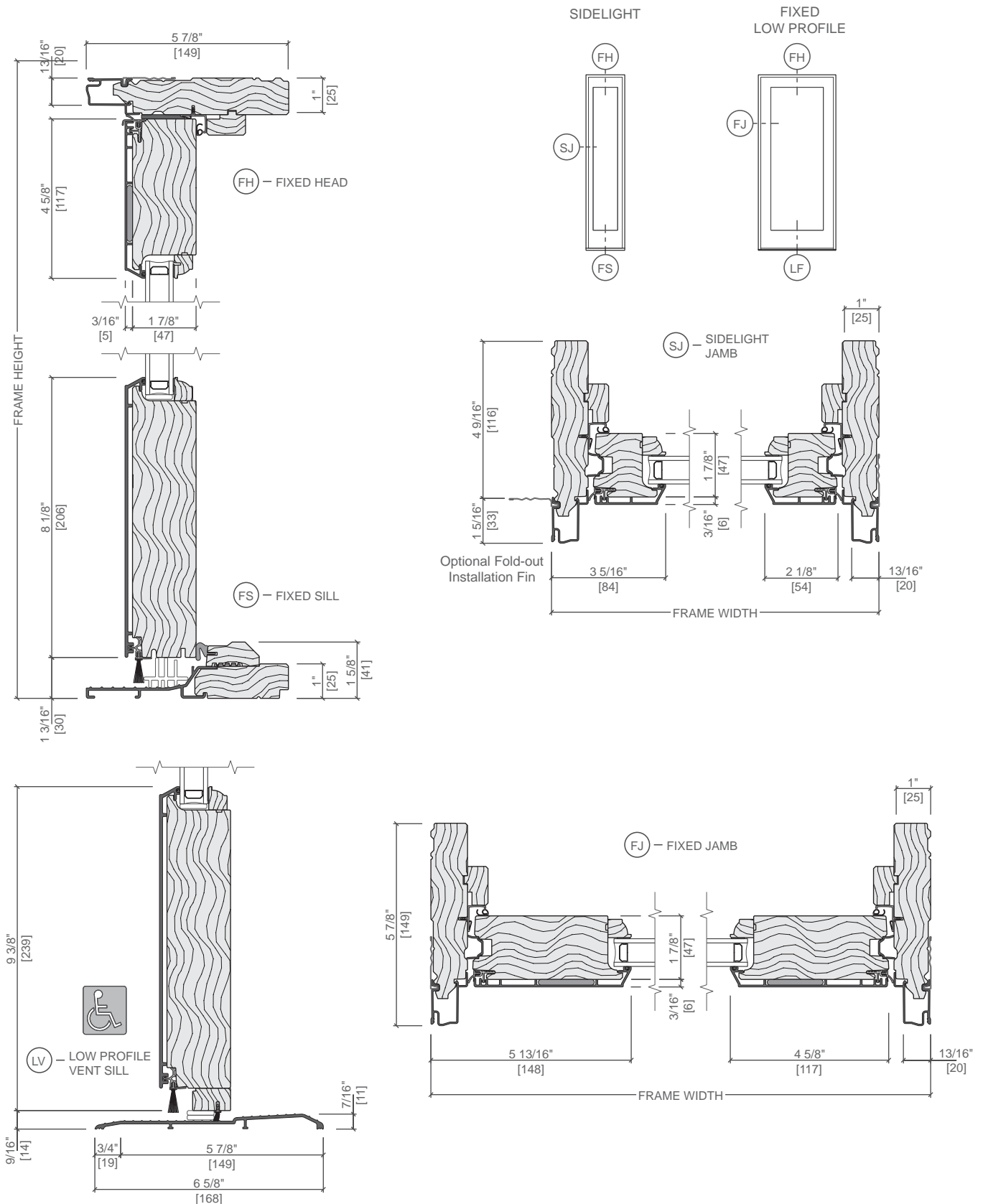
Scale 3" = 1' 0"

All dimensions are approximate.



Pella® Reserve™ Traditional Out-Swing Patio Door

Unit Sections – Aluminum-Clad Exterior, Putty Glaze Exterior Profile



Scale 3" = 1' 0"

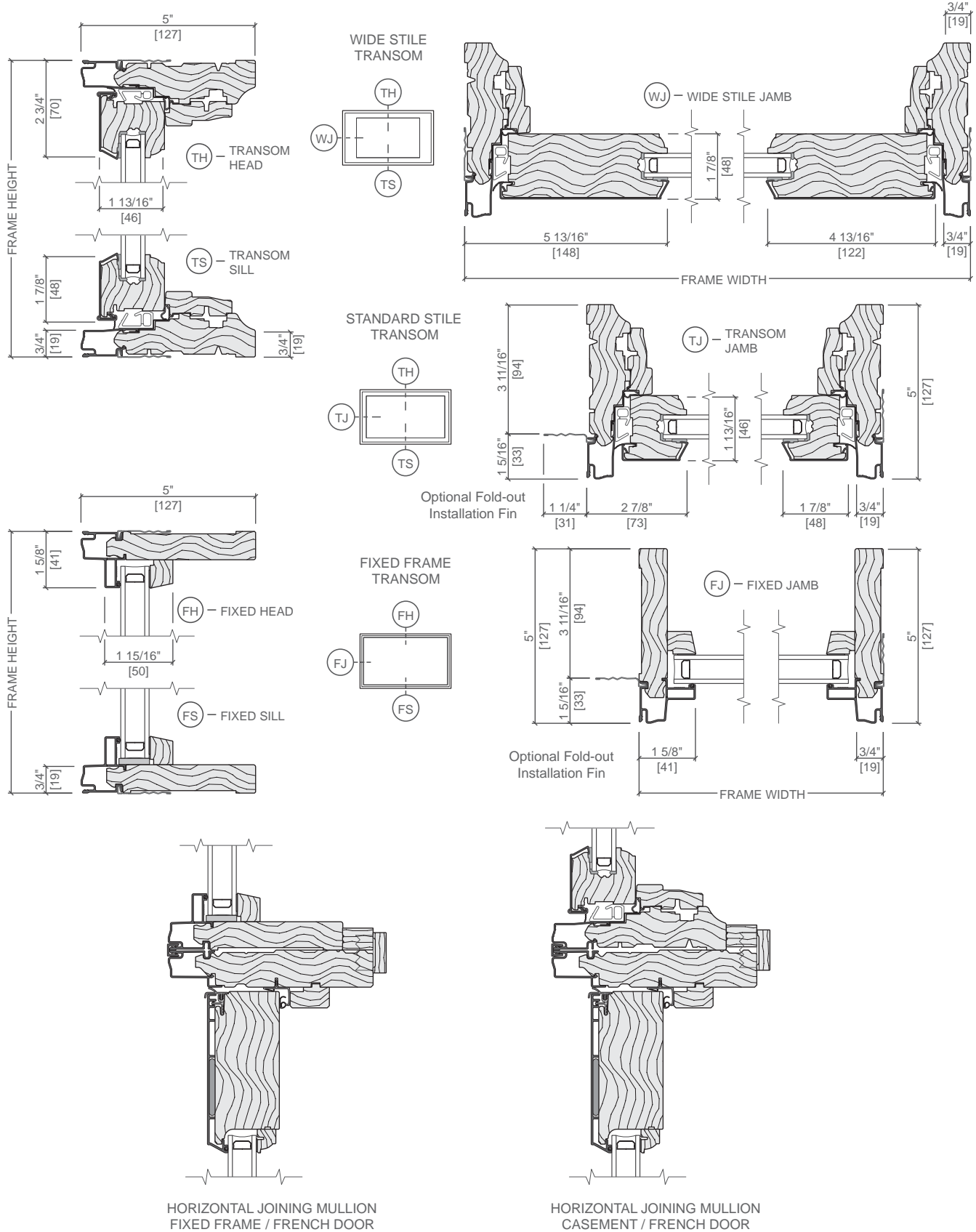
All dimensions are approximate.

Water resistance is 0 psf for units with a low profile sill.



Pella® Reserve™ Traditional Out-Swing Patio Door

Unit Sections – Aluminum-Clad Exterior, Putty Glaze Exterior Profile



Scale 3" = 1' 0"

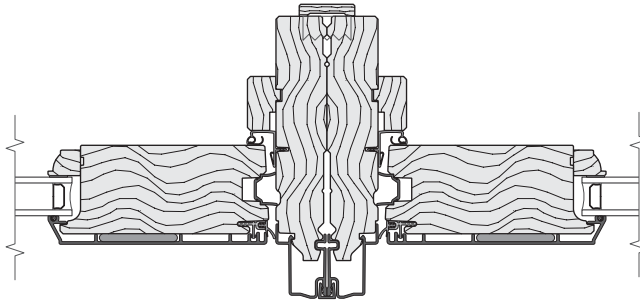
All dimensions are approximate.

See www.Pella.com for mullion limitations and reinforcing requirements.



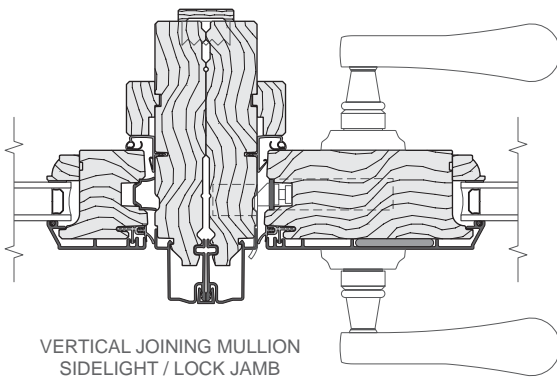
Pella® Reserve™ Traditional Out-Swing Patio Door

Unit Sections – Aluminum-Clad Exterior, Putty Glaze Exterior Profile

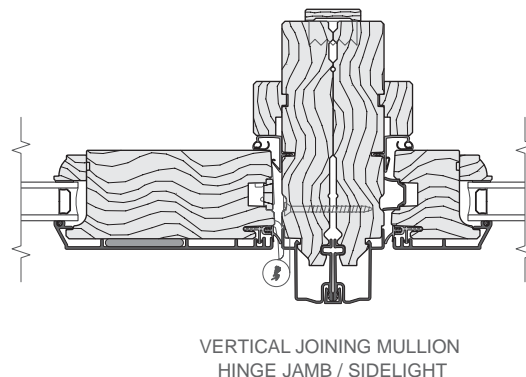


VERTICAL JOINING MULLION
FIXED PANELS

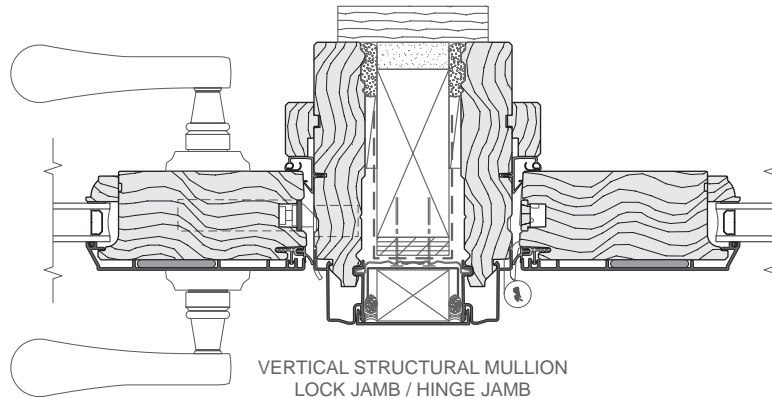
- Use standard joining mullions when joining fixed door panels.
- Sidelights or fixed panels may be joined directly to operable door panels. Composite must be installed with head drip fin and installation fins per standard installation instructions.
- Structural mullion must be used for all other combinations.



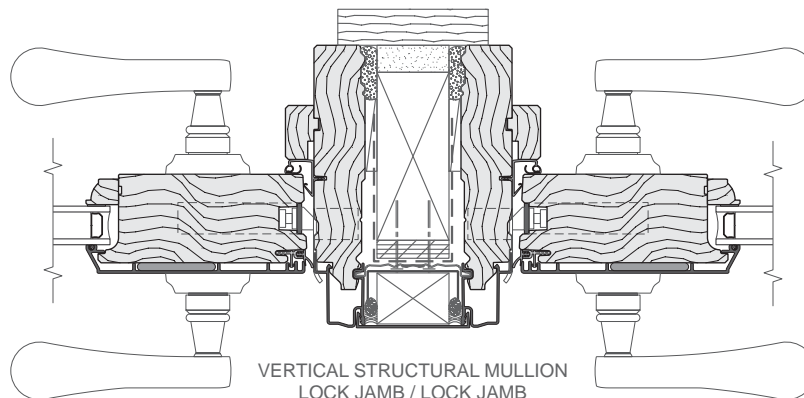
VERTICAL JOINING MULLION
SIDELIGHT / LOCK JAMB



VERTICAL JOINING MULLION
HINGE JAMB / SIDELIGHT



VERTICAL STRUCTURAL MULLION
LOCK JAMB / HINGE JAMB



VERTICAL STRUCTURAL MULLION
LOCK JAMB / LOCK JAMB

Scale 3" = 1' 0"

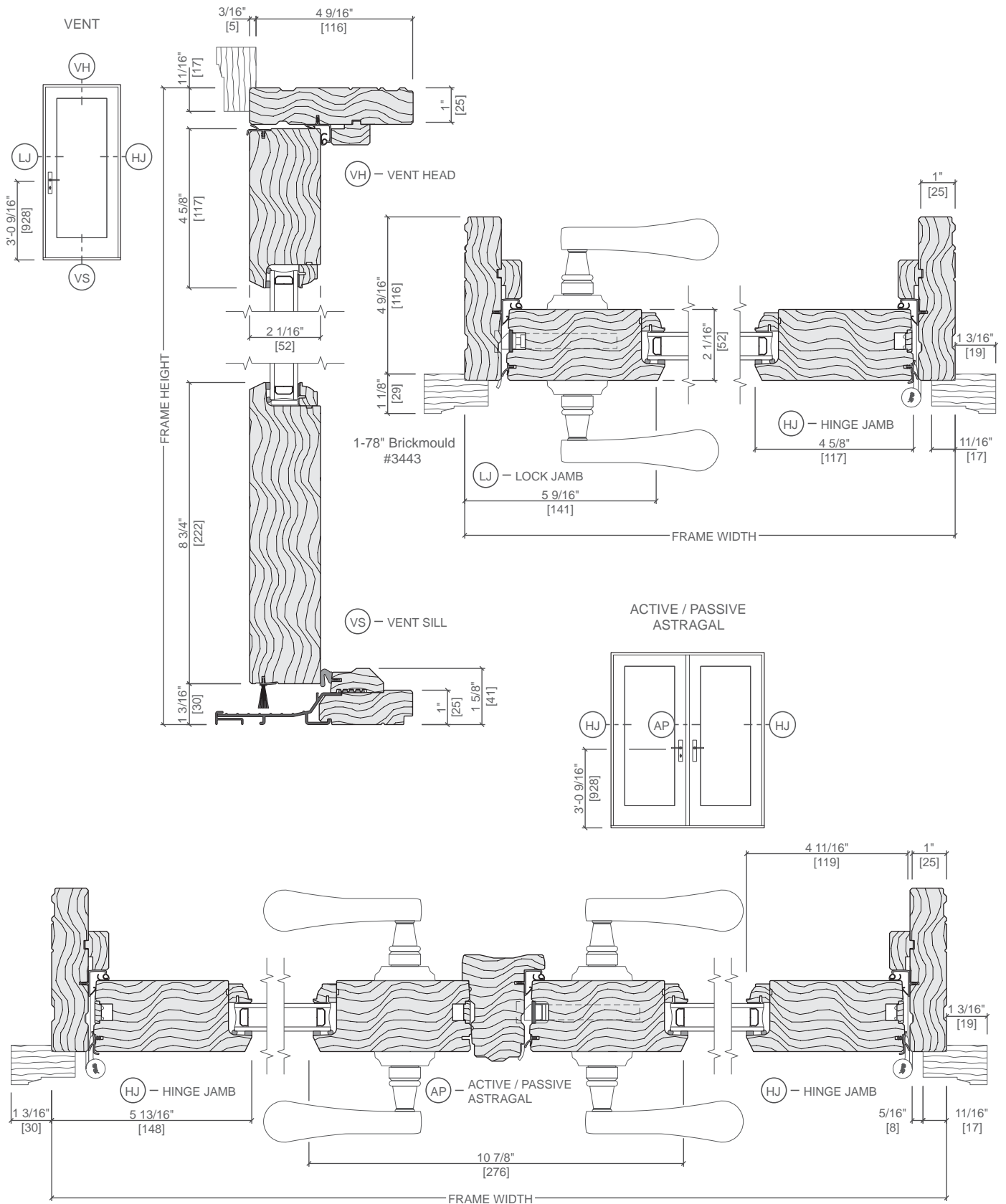
All dimensions are approximate.

See www.Pella.com for mullion limitations and reinforcing requirements.



Pella® Reserve™ Traditional Out-Swing Patio Door

Unit Sections – Wood Exterior, Putty Glaze Exterior Profile



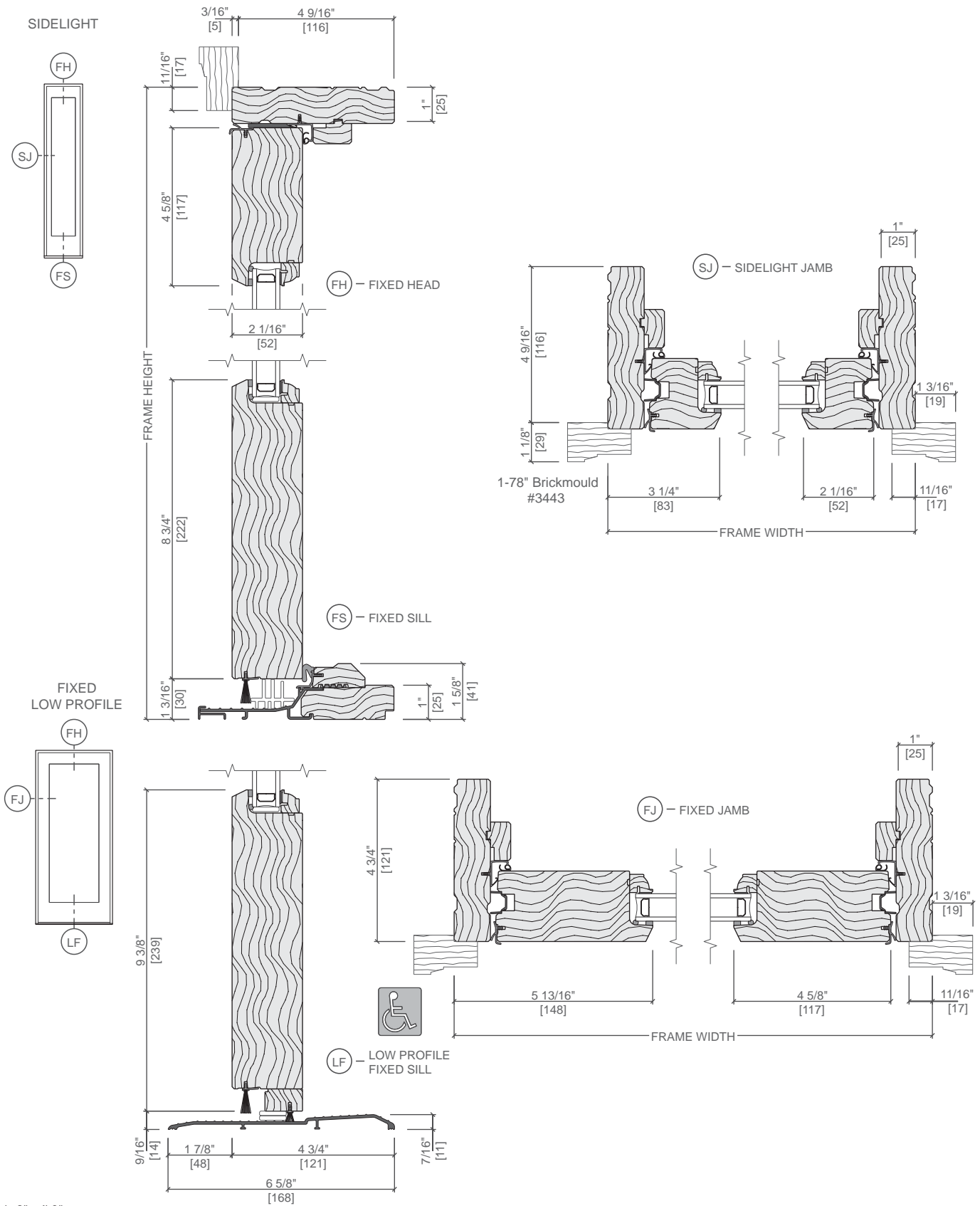
Scale 3" = 1' 0"

All dimensions are approximate.



Pella® Reserve™ Traditional Out-Swing Patio Door

Unit Sections – Wood Exterior, Putty Glaze Exterior Profile



Scale 3" = 1' 0"

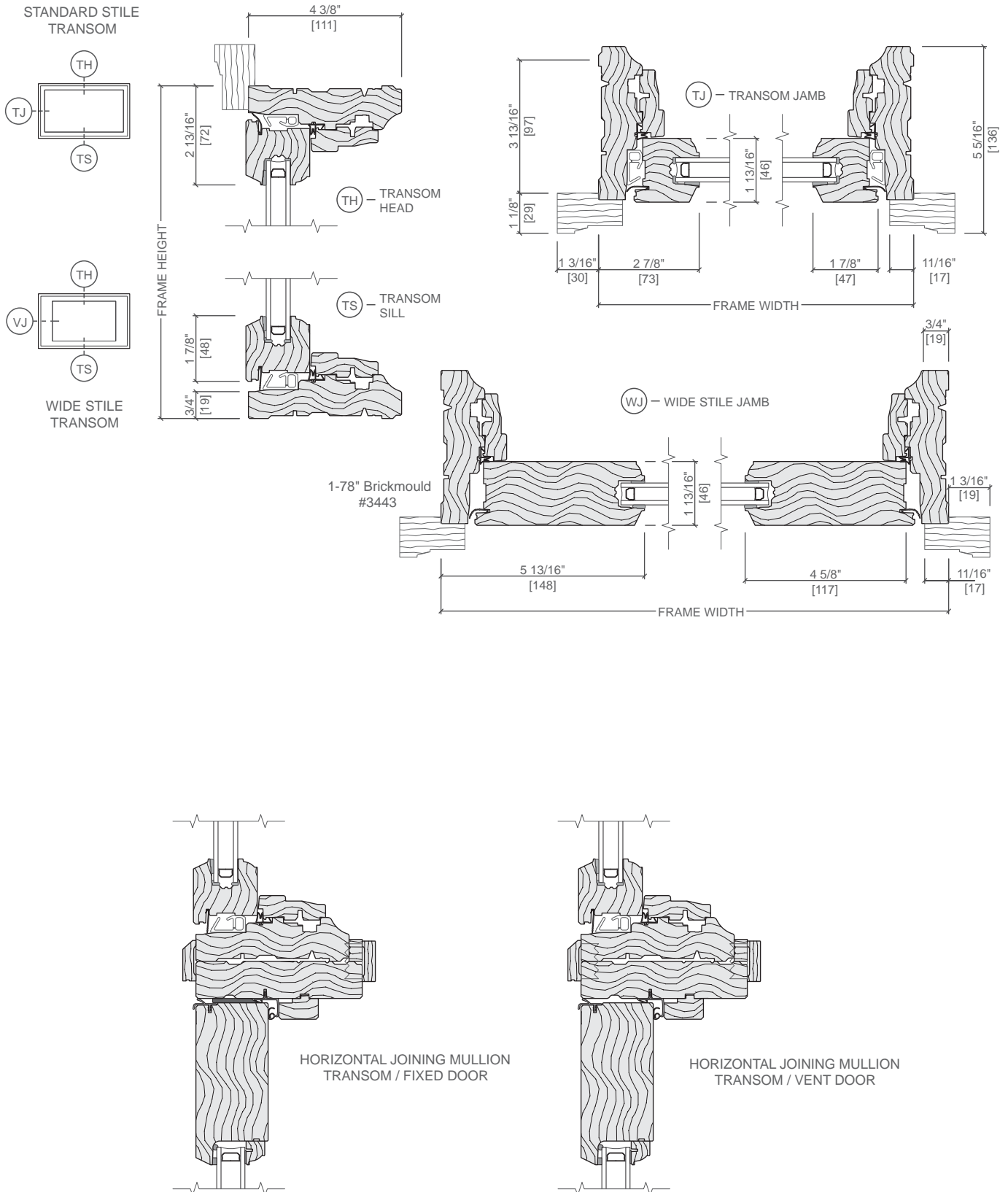
All dimensions are approximate.

Water resistance is 0 psf for units with a low profile sill.



Pella® Reserve™ Traditional Out-Swing Patio Door

Unit Sections – Wood Exterior, Putty Glaze Exterior Profile



Scale 3" = 1' 0"

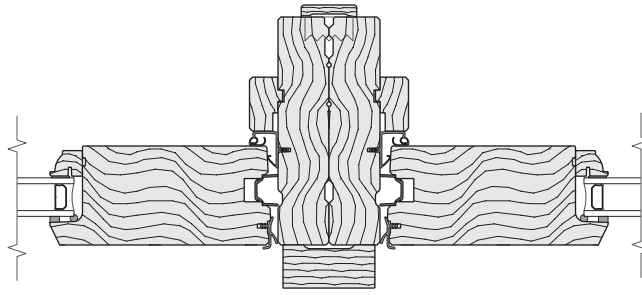
All dimensions are approximate.

See www.Pella.com for mullion limitations and reinforcing requirements.

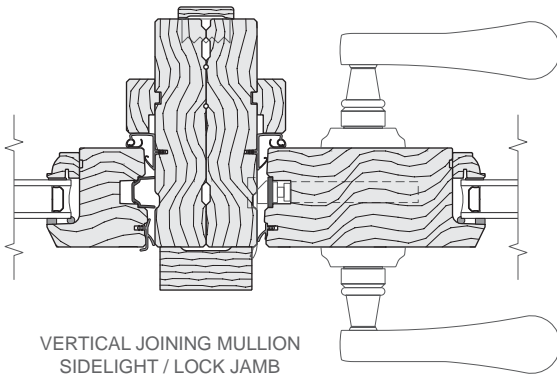


Pella® Reserve™ Traditional Out-Swing Patio Door

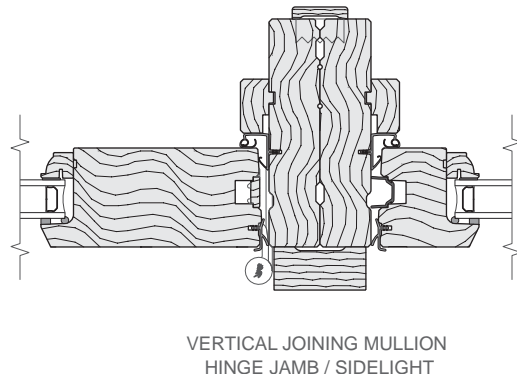
Unit Sections – Wood Exterior, Putty Glaze Exterior Profile



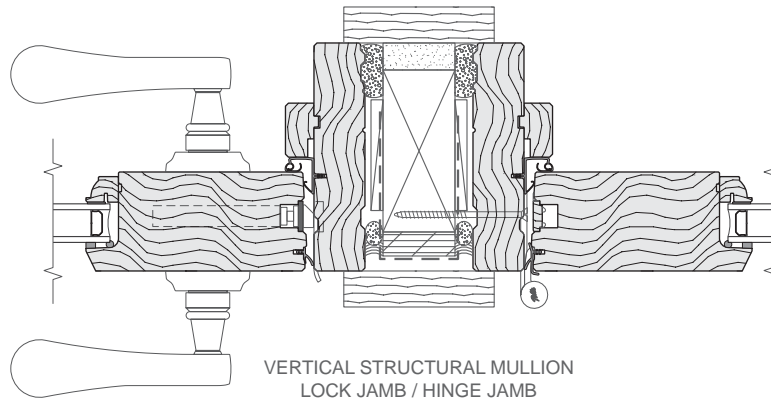
VERTICAL JOINING MULLION
FIXED PANELS



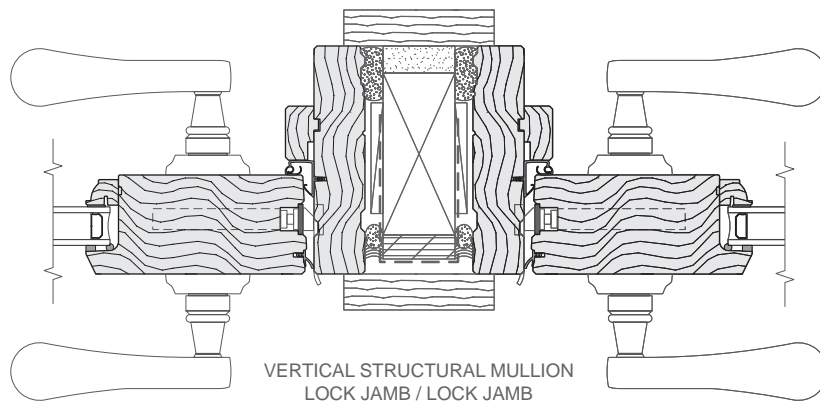
VERTICAL JOINING MULLION
SIDELIGHT / LOCK JAMB



VERTICAL JOINING MULLION
HINGE JAMB / SIDELIGHT



VERTICAL STRUCTURAL MULLION
LOCK JAMB / HINGE JAMB



VERTICAL STRUCTURAL MULLION
LOCK JAMB / LOCK JAMB

Scale 3" = 1' 0"

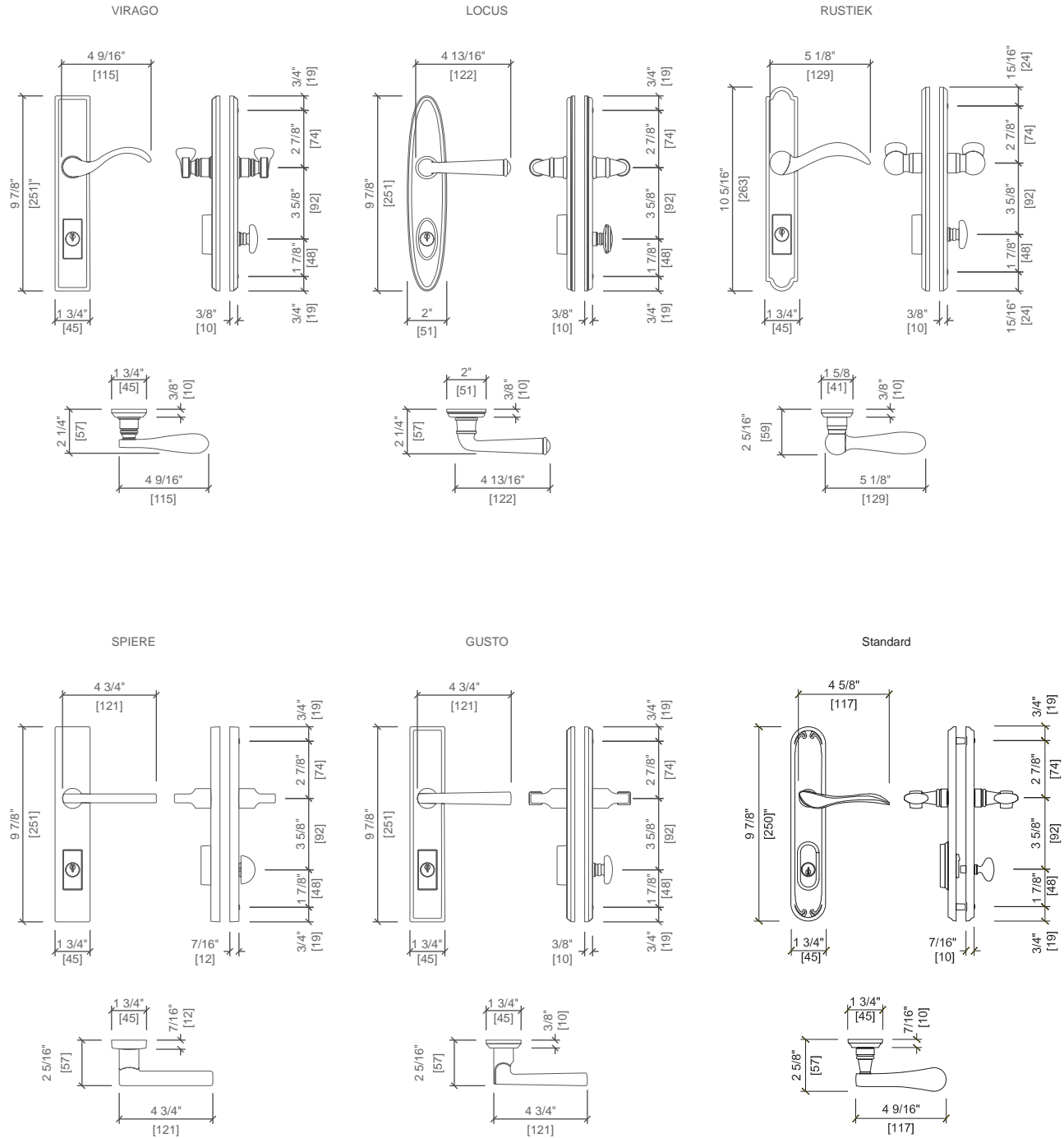
All dimensions are approximate.

See www.Pella.com for mullion limitations and reinforcing requirements.



Pella® Reserve™ Traditional Out-Swing Patio Door

Unit Sections – Handle Hardware Dimensions





Glazing Performance - Total Unit

Glazing Thickness	Type of Glazing	Glass (mm)		Gap Fill	Performance Values ¹			
		Ext.	Int.		U-Factor	SHGC	VLT	CR
Vent Dual-Pane Glazing - Aluminum-Clad Exterior								
13/16"	Clear IG	3	3	air	0.39	0.36	0.37	47
	with grilles-between-the-glass				0.39	0.31	0.31	47
	with integral grilles				0.40	0.31	0.31	47
13/16"	Advanced Low-E IG	3	3	argon	0.29	0.18	0.31	61
	with grilles-between-the-glass				0.29	0.15	0.26	61
	with integral grilles				0.30	0.15	0.26	61
13/16"	SunDefense™ Low-E IG	3	3	argon	0.29	0.13	0.29	62
	with grilles-between-the-glass				0.29	0.12	0.24	62
	with integral grilles				0.30	0.12	0.24	62
13/16"	AdvancedComfort Low-E IG	3	3	argon	0.27	0.17	0.31	48
	with grilles-between-the-glass				0.27	0.15	0.26	48
	with integral grilles				0.28	0.15	0.26	48
13/16"	NaturalSun Low-E IG	3	3	argon	0.30	0.32	0.36	60
	with grilles-between-the-glass				0.30	0.27	0.30	60
	with integral grilles				0.31	0.27	0.30	60
Tinted Glazing								
13/16"	Bronze Advanced Low-E IG	5	3	argon	0.29	0.16	0.20	62
	with integral grilles with grilles				0.29	0.14	0.17	62
	with integral grilles				0.30	0.14	0.17	62
13/16"	Gray Advanced Low-E IG	5	3	argon	0.29	0.15	0.17	62
	with grilles-between-the-glass				0.29	0.13	0.15	62
	with integral grilles				0.30	0.13	0.15	62
13/16"	Green Advanced Low-E IG	5	3	argon	0.29	0.18	0.28	62
	with grilles-between-the-glass				0.29	0.15	0.28	62
	with integral grilles				0.30	0.15	0.23	62
High Altitude Glazing								
13/16"	Advanced Low-E IG	3	3	air	0.31	0.18	0.31	58
	with grilles-between-the-glass				0.31	0.15	0.26	58
	with integral grilles				0.32	0.15	0.26	58
13/16"	SunDefense™ Low-E IG	3	3	air	0.31	0.14	0.29	58
	with grilles-between-the-glass				0.31	0.14	0.24	58
	with integral grilles				0.32	0.12	0.24	58
13/16"	AdvancedComfort Low-E IG	3	3	air	0.28	0.17	0.31	45
	with grilles-between-the-glass				0.28	0.15	0.26	45
	with integral grilles				0.29	0.15	0.26	45
13/16"	NaturalSun Low-E IG	3	3	air	0.32	0.32	0.36	57
	with grilles-between-the-glass				0.32	0.27	0.30	57
	with integral grilles				0.33	0.27	0.30	57

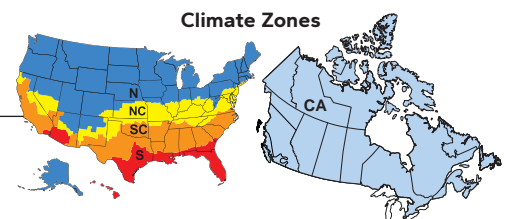
R-Value = 1/U-Factor
 SHGC = Solar Heat Gain Coefficient
 VLT % = Visible Light Transmission
 CR = Condensation Resistance
 ER = Canadian Energy Rating

(1) Glazing performance values are calculated based on NFRC 100, NFRC 200 and NFRC 500. ENERGY STAR® values are updated to 2023 (Version 7) criteria.

(2) The values shown are based on Canada's updated ENERGY STAR® 2020 initiative.

U-Factor values shown are based on a standard sill and pine interior.

Visit www.energystar.gov for Energy Star guidelines.





Glazing Performance - Total Unit

Glazing Thickness	Type of Glazing	Glass (mm)			Gap Fill	Performance Values ₁			
		Ext.	Mid	Int.		U-Factor	SHGC	VLT	CR
Vent Triple-Pane Glazing - Aluminum-Clad Exterior									
1"	Advanced Low-E IG	3	3	3	argon	0.25	0.16	0.28	62
	with grilles-between-the-glass					0.26	0.14	0.23	62
	with integral grilles					0.26	0.14	0.23	62
1"	SunDefense™ Low-E IG	3	3	3	argon	0.25	0.12	0.26	62
	with grilles-between-the-glass					0.26	0.11	0.21	62
	with integral grilles					0.26	0.11	0.21	62
1"	NaturalSun Low-E IG	3	3	3	argon	0.26	0.26	0.31	62
	with grilles-between-the-glass					0.26	0.22	0.26	62
	with integral grilles					0.26	0.22	0.26	62
High Altitude Glazing									
1"	Advanced Low-E IG	3	3	3	air	0.28	0.16	0.28	62
	with grilles-between-the-glass					0.28	0.14	0.23	62
	with integral grilles					0.28	0.14	0.23	62
1"	SunDefense Low-E IG	3	3	3	air	0.27	0.13	0.26	62
	with grilles-between-the-glass					0.27	0.11	0.21	62
	with integral grilles					0.28	0.11	0.21	62
1"	NaturalSun Low-E IG	3	3	3	air	0.28	0.26	0.31	62
	with grilles-between-the-glass					0.28	0.22	0.26	62
	with integral grilles					0.28	0.22	0.26	62

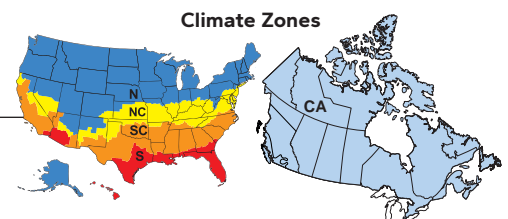
R-Value = 1/U-Factor
 SHGC = Solar Heat Gain Coefficient
 VLT % = Visible Light Transmission
 CR = Condensation Resistance
 ER = Canadian Energy Rating

(1) Glazing performance values are calculated based on NFRC 100, NFRC 200 and NFRC 500. ENERGY STAR® values are updated to 2023 (Version 7) criteria.

(2) The values shown are based on Canada's updated ENERGY STAR® 2020 initiative.

U-Factor values shown are based on a standard sill and pine interior.

Visit www.energystar.gov for Energy Star guidelines.

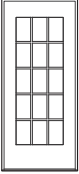
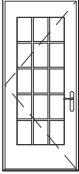
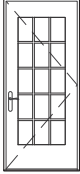



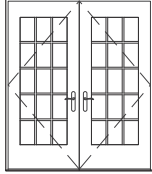
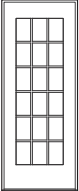
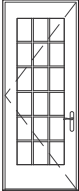
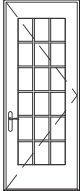



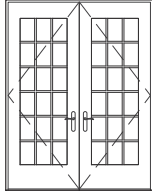





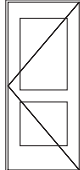
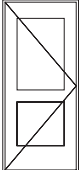



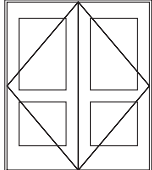
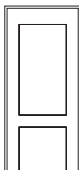
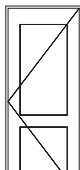
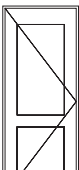



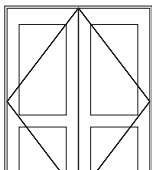
Pella® Reserve™ Commercial Out-Swing Door

Size Tables

7' 2" and 8' 0" Vent and Fixed Units - Clad

	(981) (962)	(981) (962)	(981) (962)	(540) (521)	(692) (673)	(845) (826)	(1 886) (1 867)
Opening	3' 2 5/8"	3' 2 5/8"	3' 2 5/8"	1' 9 1/4"	2' 3 1/4"	2' 9 1/4"	6' 2 1/4"
Frame	3' 1 7/8"	3' 1 7/8"	3' 1 7/8"	1' 8 1/2"	2' 2 1/2"	2' 8 1/2"	6' 1 1/2"
7' 2" (2 197) (2 184)							
	FIXED 3886	LEFT 3886	RIGHT 3886	SIDELIGHT 2186	SIDELIGHT 2786	SIDELIGHT 3386	ACTIVE-ACTIVE 7486
8' 0" (2 438) (2 426)							
	FIXED 3896	LEFT 3896	RIGHT 3896	SIDELIGHT 2196	SIDELIGHT 2796	SIDELIGHT 3396	ACTIVE-ACTIVE 7496

7' 2" and 8' 0" Vent and Fixed Units - Clad

	3' 2 5/8" (981)	3' 2 5/8" (981)	3' 2 5/8" (981)	1' 9 1/4" (540)	2' 3 1/4" (692)	2' 9 1/4" (845)	6' 2 1/4" (1 886)
Opening	3' 2 5/8" (981)	3' 2 5/8" (981)	3' 2 5/8" (981)	1' 9 1/4" (540)	2' 3 1/4" (692)	2' 9 1/4" (845)	6' 2 1/4" (1 886)
Frame	3' 1 7/8" (962)	3' 1 7/8" (962)	3' 1 7/8" (962)	1' 8 1/2" (521)	2' 2 1/2" (673)	2' 8 1/2" (826)	6' 1 1/2" (1 867)
7' 2" (2 197) (2 184)							
	FIXED 3886	LEFT 3886	RIGHT 3886	SIDELIGHT 2186	SIDELIGHT 2786	SIDELIGHT 3386	ACTIVE-ACTIVE 7486
8' 0" (2 438) (2 426)							
	FIXED 3896	LEFT 3896	RIGHT 3896	SIDELIGHT 2196	SIDELIGHT 2796	SIDELIGHT 3396	ACTIVE-ACTIVE 7496

Not to scale.

CL = Distance from bottom of door to center line of intermediate rail is 38".

Masonry dimensions are with Pella's 1-7/8" brickmould.

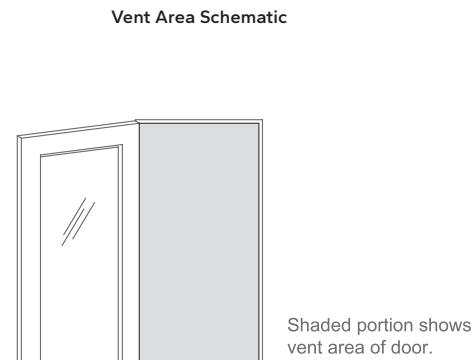
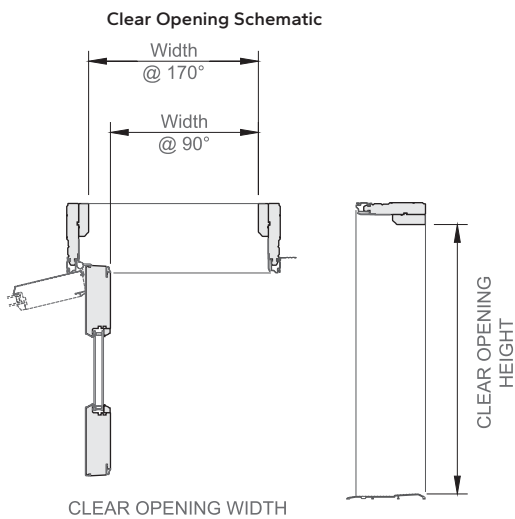
To determine masonry openings when using Pella's 3-1/2" brickmould, add an additional 3-1/4" to width and 1-5/8" to height.



Pella® Reserve™ Commercial Out-Swing Door

Design Data

Commercial Aluminum EnduraClad® Exterior Aluminum Cladding							
	Clad Units	Clear Opening (Inches)			Visible Glass Ft ²		Standard Glass Thickness (mm) Tempered
		Width ¹		Height	Without Rail	With Rail	
		Open 170°	Open 90°				
7' 2" DOORS	3886 F	—	—	—	10.3	9.3	3
	3886 L/R	34	32-5/16	83-3/4	10.3	9.3	3
	7486 AA	70 / 34-15/16	65-7/8 / 32-7/8	83-3/4	20.6	18.7	3
8' 0" DOORS	3896 F	—	—	—	11.8	10.9	3
	3896 L/R	34	32-5/16	93-3/4	11.8	10.9	3
	7496 AA	70 / 34-15/16	65-7/8 / 32-7/8	93-3/4	23.7	21.8	3
SIDELIGHTS	2186 S/L	—	—	—	6.1	5.5	3
	2196 S/L	—	—	—	7.0	6.5	3
	2786 S/L	—	—	—	8.8	7.9	3
	2796 S/L	—	—	—	10.1	9.2	3
	3386 S/L	—	—	—	11.4	10.3	3
	3396 S/L	—	—	—	13.1	12.0	3



(—) = Not applicable

(1) All dimensions are approximate to the nearest 1/16". The second value, where shown, provides the clear opening for the active panel only.

All doors are glazed with 3mm tempered glass.

To convert areas to square meters (m²), multiply square feet by 0.0929.



Hardware Parameters and Recommendations

Pella Reserve Commercial Out-Swing Doors are not supplied with locking hardware, closers, panic hardware, push plates or kick plates. Use the following guidelines when selecting these hardware items from your hardware supplier.

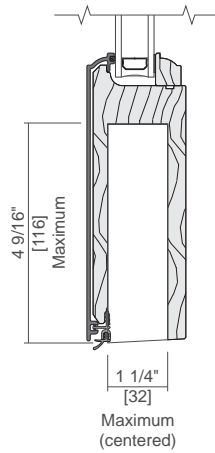
Mortise Locks: Maximum mortise rout dimensions are shown below for commercial doors with standard stile dimensions. Maximum height of the mortise rout is 10 inches. Routs should be sealed before the locks are installed for added moisture protection.

Cylinder Locks: Maximum diameter of cylinder lock bore is 2-1/8". Minimum backset is 2-3/8"; maximum backset is 2-3/4".

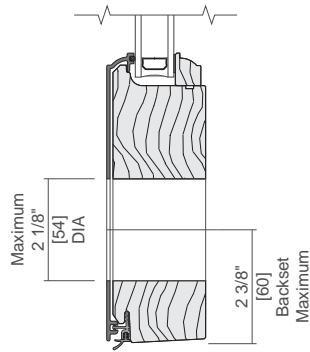
Door Closers: When door closers are being used, Pella recommends the use of surface applied door closers with mounting devices that anchor into the structural header of the rough opening. Devices that anchor to the door frame only are not approved for use on Pella doors. Concealed closers that are routed into the top of the door panel are not recommended.

Exit Devices: When exit devices are used, Pella recommends the use of surface mounted vertical rod hardware. Concealed vertical rod hardware is not recommended.

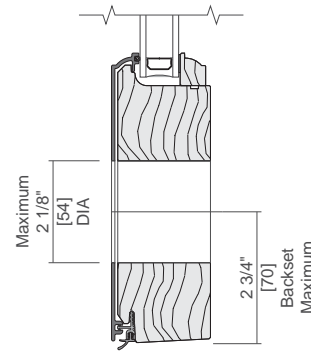
Kick plates and push plates: In commercial applications, Pella recommends the use of kick plates and push plates to protect the wood veneer.



6-1/16" STILE



4-5/8" STILE



6-1/16" STILE



Frame

- Select softwood, immersion treated with Pella's EnduraGuard® wood protection formula in accordance with WDMA I.S.-4. The EnduraGuard formula includes three active ingredients for protection against the effects of moisture, decay, stains from mold and mildew. Plus, an additional ingredient adds protection against termite damage.
- Interior exposed surfaces are [clear pine] [mahogany] [douglas fir], edge-banded and veneered.
- Exterior surfaces are clad with aluminum at the head and jambs.
- Components are assembled with screws, staples and concealed corner locks.
- Sill is 1/2" low profile. Extruded aluminum with [mill] [bronze] [anodized to match anodized cladding] finish.
- Frame depth is 5-7/8" (149mm) for a wall depth of 4-9/16" (116mm).
- Jamb extensions available to adapt door to wall thickness between 4-9/16" (116mm) to 7" (178mm).

Door panels

- Select softwood, immersion treated with Pella's EnduraGuard® wood protection formula in accordance with WDMA I.S.-4. The EnduraGuard formula includes three active ingredients for protection against the effects of moisture, decay, stains from mold and mildew. Plus, an additional ingredient adds protection against termite damage.
- Interior exposed surfaces are veneered with [clear pine] [mahogany] [douglas fir].
- Exterior surfaces are clad with extruded aluminum.
- Panel stiles and rails are five-ply construction, randomly finger-jointed blocks laminated with water-resistant glue and veneered on both sides.
- Panel lock stiles on all units and all stiles on units over 8' height are constructed with LVL core with finger-jointed edge bands on both sides and veneered on both faces.
- Corners are urethane-silicone hybrid sealed and secured with metal fasteners.
- Panel thickness is 2-1/16" (52mm).
- Panel exterior profile is [ogee] [putty glaze], interior profile is ogee.

Weatherstripping

- Dual-durometer extruded polymer along jambs, head and sill.
- Dual-durometer extruded polymer rainscreen along top and sides of panel.
- Bristle rainscreen along bottom of panel.

Glazing System

- Quality fully-tempered float glass complying with ASTM C 1048.
- Custom and high altitude glazing available.
- Silicone-glazed, 13/16" double-pane, dual-seal, insulating glass
 - [Clear] [Obscure] [Reflective Bronze] with air.
 - [Obscure Low-E [with argon]] [[Advanced] [[AdvancedComfort] [SunDefense™] [NaturalSun] Low-E [with argon]].
 - [Bronze] [Gray] [Green] Advanced Low-E [with argon].

- or -
- Silicone-glazed, 13/16" double-pane, dual-seal, laminated, insulating glass
 - Clear with air.
 - [Advanced] [SunDefense™] Low-E with argon.
 - [Bronze] [Gray] [Green] Advanced Low-E with argon.

- or -
- Silicone-glazed, 1" triple-pane, dual-seal, insulating glass
 - [Obscure Low-E [with argon]] [[Advanced] [SunDefense™] [NaturalSun] Low-E [with argon]].

Exterior

- Exterior aluminum surfaces are finished with EnduraClad® multi-step, baked-on finish.
 - Color is [Standard] [feature] [custom]₁.

- or -
- Exterior aluminum surfaces are finished with EnduraClad® Plus protective finish with 70% fluoropolymer resin, multi-step baked-on finish.
 - Color is [Standard] [feature] [custom]₁.

Interior

- [Unfinished, ready for site finishing] [factory primed with one coat acrylic latex] [factory prefinished [paint] [stain]₁].

Hardware

Hinges

- Ball-bearing hinges
 - Doors 6' 10" and under frame height will have three (3) ball-bearing hinges.
 - Doors over 6' 10" frame height up to and including 8' 0" frame height will have four (4) ball bearing hinges.
 - Hinge finish [Colonial Bronze (Light Bronze, Dark Bronze, Black anodized sill finishes)] [Satin Nickel (Mill or Clear anodized sill finishes)] to complement the finish of the sill.

- or -
- Adjustable hinges to assist in installation (not available with anodized cladding).
 - Doors 6' 10" to 7' 0" frame height will have three (3) hinges.
 - Doors over 7' 0" frame height up to and including 8' 0" frame height will have four (4) hinges.
 - Doors over 8' 3" frame height up to and including 9' 0" frame height will have five (5) hinges.
 - Doors over 9' 0" frame height will have six (6) hinges.
 - Hinge color to match exterior cladding.

Optional Products

Grilles

- Integral Light Technology® grilles
 - Interior grilles are [5/8"] [7/8"] [1-1/4"] [2"] ogee profile that are solid [pine] [mahogany] [douglas fir]. Interior surfaces are [unfinished, ready for site finishing] [factory primed] [pine: factory prefinished [paint] [stain]₁].
 - Exterior grilles are [5/8" putty glaze profile] [7/8" [putty glaze] [ogee] profile] [1-1/4" [putty glaze] [ogee] profile] [2" ogee profile] that are extruded aluminum.
 - Patterns are [Traditional] [Prairie] [Top Row] [Cross] [New England] [Victorian].
 - Insulating glass contains non-glare spacer between the panes of glass.
 - Grilles are adhered to both sides of the insulating glass with VHB acrylic adhesive tape and aligned with spacer.

- or -

• Grilles-Between-the-Glass₂

- Insulating glass contains 3/4" contoured aluminum grilles permanently installed between two panes of glass (exterior air-space on triple-pane insulating glass).
- Patterns are [Traditional] [Prairie] [Cross] [Top Row]
- Interior color is [White] [Tan₃] [Brown₃] [Putty₃] [Black] [Ivory] [Harvest] [Cordovan] [Brickstone].
- Exterior color₄ is [Standard₁].

Intermediate Rail and Flat Panel Options

- 6" Intermediate rail is three-ply construction, randomly finger-jointed blocks laminated with water-resistant glue and veneered on both sides.
- Clad Flat panel exterior is .080" Aluminum. Color is [Standard] [feature] [custom]₁.
- Flat panel is an LVL construction with Interior exposed surfaces are veneered with [pine] [mahogany] [douglas fir].
- Standard placement: 6" Intermediate Rail 38" OC from the bottom of the door sill.

(1) Contact your local Pella sales representative for current color options.

(2) Available in clear or Low-E insulating glass only.

(3) Tan, Brown and Putty Interior GBG colors are available in single-tone (Brown/Brown, Tan/Tan or Putty/Putty). Other interior colors are also available with Tan or Brown exterior.

(4) Appearance of exterior grille color will vary depending on Low-E coating on glass.



Detailed Product Descriptions - Wood Exterior

Frame

- Select softwood, immersion treated with Pella's EnduraGuard® wood protection formula in accordance with WDMA I.S.-4. The EnduraGuard formula includes three active ingredients for protection against the effects of moisture, decay, stains from mold and mildew. Plus, an additional ingredient adds protection against termite damage.
- Interior and exterior surfaces are [pine] [mahogany].
- Sill is 1/2" low profile. Material and finish are extruded aluminum with [mill] [Bronze] [anodized [Clear] [Light Bronze] [Dark Bronze] [Black] [Custom₁]] finish.
- Overall frame depth is 4-9/16" (116mm).
- Jamb extensions available to adapt door to wall thickness between 4-9/16" (116mm) to 7" (178mm).

Door panels

- Select softwood, immersion treated with Pella's EnduraGuard® wood protection formula in accordance with WDMA I.S.-4. The EnduraGuard formula includes three active ingredients for protection against the effects of moisture, decay, stains from mold and mildew. Plus, an additional ingredient adds protection against termite damage.
- Interior exposed surfaces are veneered with [pine] [mahogany].
- Panel stiles and rails are five-ply construction, randomly finger-jointed blocks laminated with water-resistant glue and veneered on both sides.
- Corners are urethane-silicone hybrid sealed and secured with metal fasteners.
- Panel thickness is 2-1/16" (52mm).

Weatherstripping

- Dual-durometer extruded polymer along jambs, head and sill.
- Dual-durometer extruded polymer rainscreen along top and sides of panel.
- Bristle rainscreen along bottom of panel.

Glazing System

- Quality fully-tempered float glass complying with ASTM C 1048.
- Custom and high altitude glazing available.
- Silicone-glazed, 13/16" double-pane, dual-seal, insulating glass
 - [Clear] [Obscure] [Reflective Bronze] with air.
 - [Obscure Low-E [with argon]] [[Advanced] [[AdvancedComfort] [SunDefense™] [NaturalSun] Low-E [with argon]].
 - [Bronze] [Gray] [Green] Advanced Low-E [with argon].
 - or -
- Silicone-glazed, 13/16" double-pane, dual-seal, laminated, insulating glass
 - Clear with air.
 - [Advanced] [SunDefense™] Low-E with argon.
 - [Bronze] [Gray] [Green] Advanced Low-E with argon.
 - or -
- Silicone-glazed, 1" triple-pane, dual-seal, insulating glass
 - [Obscure Low-E [with argon]] [[Advanced] [SunDefense™] [NaturalSun] Low-E [with argon]].

Exterior

- [Wood composite: primed with one coat acrylic latex] [mahogany: [unfinished, ready for site finishing] [primed with one coat acrylic latex]].

Interior

- [Pine [primed with one coat acrylic latex] [Unfinished, ready for site finishing] [prefinished stained₁]] [mahogany: Unfinished, ready for site finishing].

Hardware

Hinges

- Ball-bearing hinges
 - Doors 6' 10" and under frame height will have three (3) ball-bearing hinges.
 - Doors over 6' 10" frame height up to and including 8' 0" frame height will have four (4) ball bearing hinges.
 - Hinge finish [Colonial Bronze (Light Bronze, Dark Bronze, Black anodized sill finishes)] [Satin Nickel (Mill or Clear anodized sill finishes)] to complement the finish of the sill.
 - or -
- Adjustable hinges to assist in installation,
 - Doors 6' 10" to 7' 0" frame height will have three (3) hinges.
 - Doors over 7' 0" frame height up to and including 8' 0" frame height will have four (4) hinges.
 - Doors over 8' 3" frame height up to and including 9' 0" frame height will have five (5) hinges.
 - Doors over 9' 0" frame height will have six (6) hinges.

Optional Products

Grilles

- Integral Light Technology® grilles
 - Interior grilles are [5/8"] [7/8"] [1-1/4"] ogee profile that are solid [pine] [mahogany]. Interior surfaces are [unfinished, ready for site finishing] [factory primed] [pine: factory prefinished [paint] [stain]₁].
 - Exterior grilles are [5/8"] [7/8"] [1-1/4"] putty glaze profile that are solid [pine] [mahogany]. Exterior surfaces are water repellent, preservative-treated in accordance with WDMA I.S.-4, and are [unfinished, ready for site finishing] [factory primed].
 - Patterns are [Traditional] [Prairie] [Top Row] [Cross] [New England] [Victorian].
 - Insulating glass contains non-glare spacer between the panes of glass.
 - Grilles are adhered to both sides of the insulating glass with VHB acrylic adhesive tape and aligned with spacer.
 - or -
- Grilles-Between-the-Glass₂
 - Insulating glass contains 3/4" contoured aluminum grilles permanently installed between two panes of glass (exterior air-space on triple-pane insulating glass).
 - Patterns are [Traditional] [Prairie] [Cross] [Top Row]
 - Interior color is [White] [Tan₃] [Brown₃] [Putty₃] [Black] [Ivory] [Harvest] [Cordovan] [Brickstone].
 - Exterior color₄ is [standard₁].

Intermediate Rail and Flat Panel Options

- 6" Intermediate rail is three-ply construction, randomly finger-jointed blocks laminated with water-resistant glue and veneered on both sides.
- Wood Flat panel exterior is an LVL construction with exposed surfaces that are veneered with [pine] [mahogany]. Exteriors are [pine: primed] [mahogany [primed] [unfinished, ready for site finishing]].
- Flat panel is an LVL construction with Interior exposed surfaces are veneered with [pine] [mahogany].
- Standard placement: 6" Intermediate Rail 38" OC from the bottom of the door sill.

(1) Contact your local Pella sales representative for current color options.

(2) Available in clear or Low-E insulating glass with argon, and obscure insulated glass.

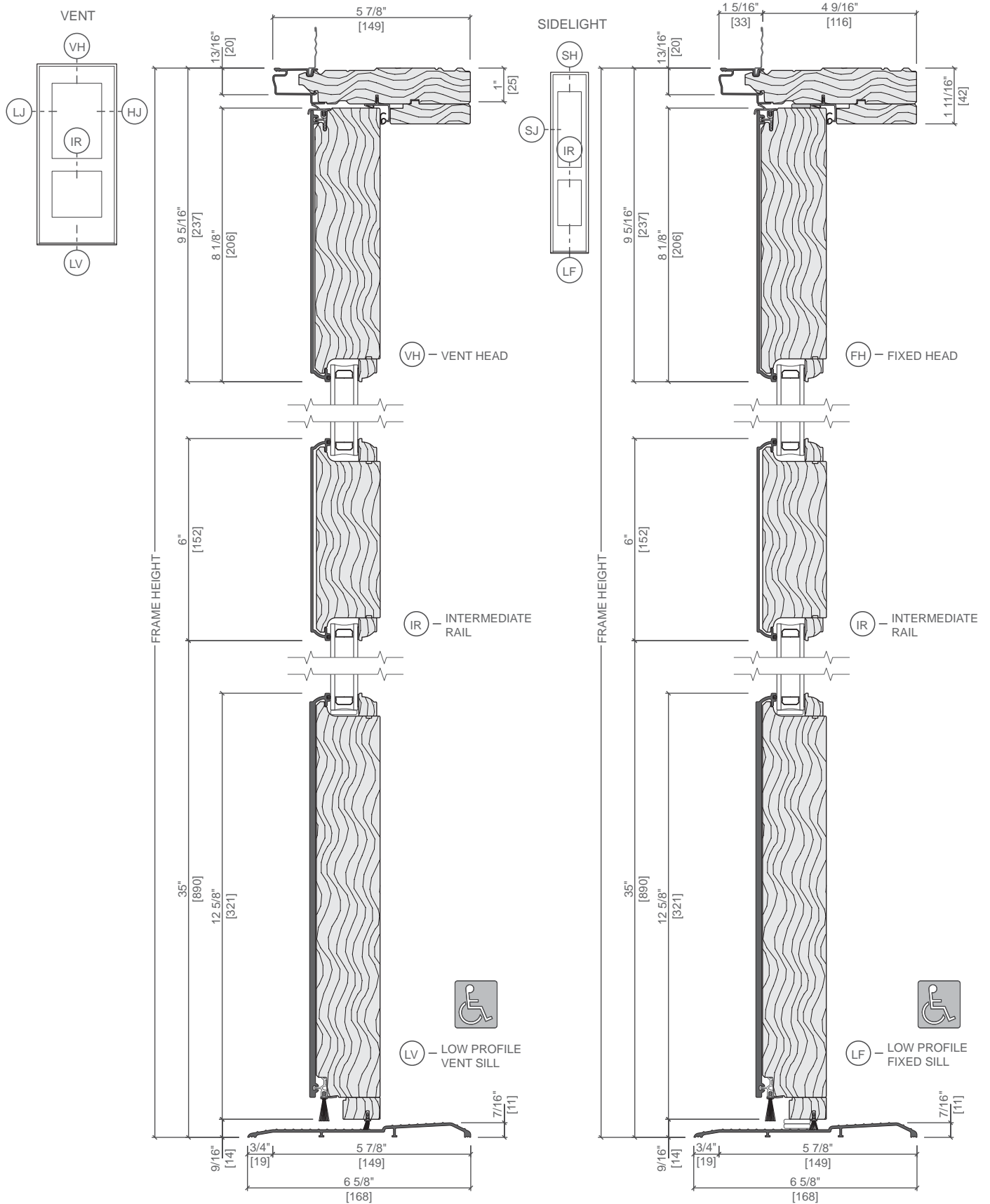
(3) Tan, Brown or Putty Interior GBG colors are available in single-tone (Brown/Brown, Tan/Tan or Putty/Putty). Other interior colors are also available with Tan or Brown exterior.

(4) Appearance of exterior grille color will vary depending on Low-E coating on glass.



Pella® Reserve™ Commercial Out-Swing Door

Unit Sections - Aluminum-Clad Exterior



Scale 3" = 1' 0"

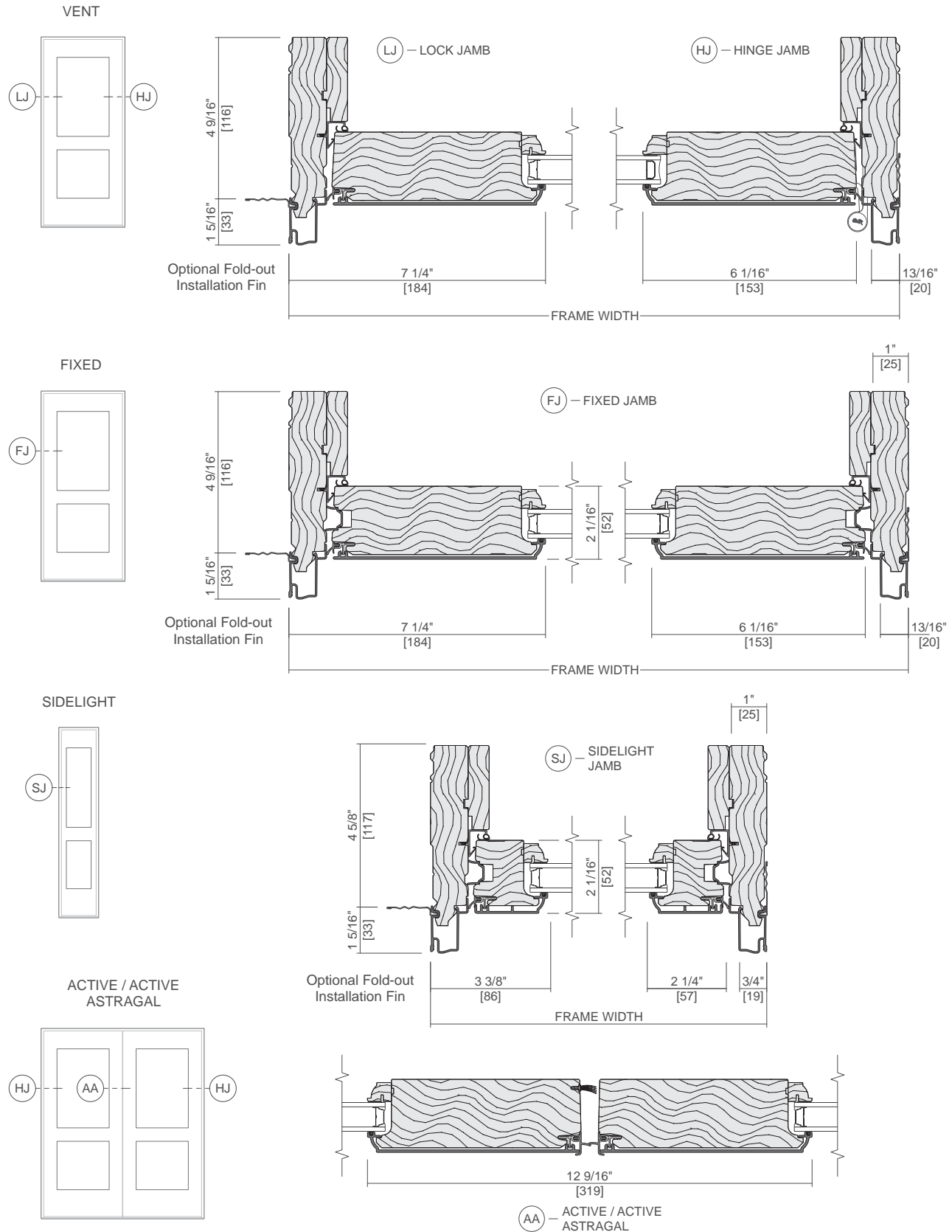
All dimensions are approximate.

Water resistance is 0 psf for units with a low profile sill.



Pella® Reserve™ Commercial Out-Swing Door

Unit Sections - Aluminum-Clad Exterior



Scale 3" = 1' 0"

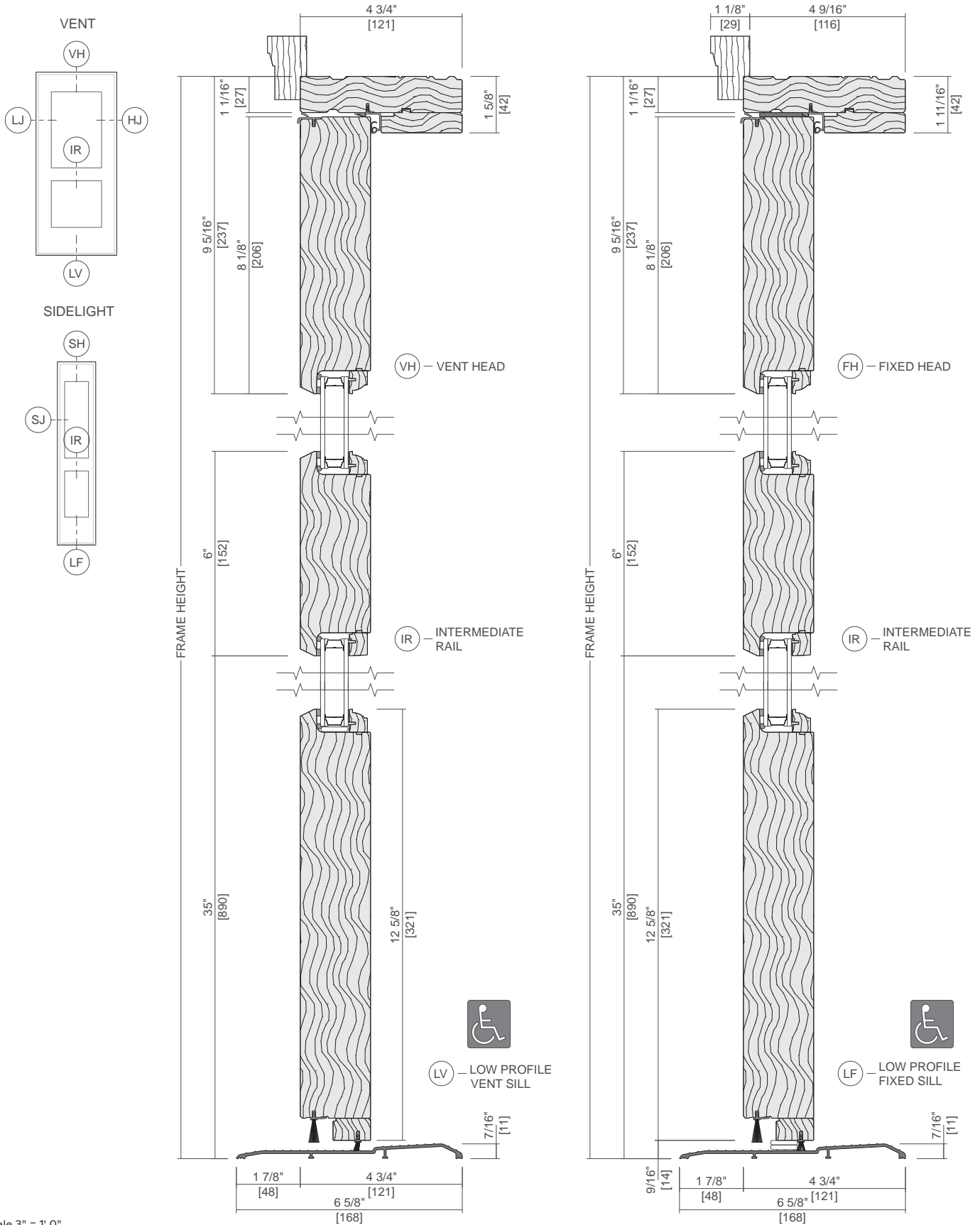
All dimensions are approximate.

Rev. 07/17/2024



Pella® Reserve™ Commercial Out-Swing Door

Unit Sections - Wood Exterior



Scale 3" = 1' 0"

All dimensions are approximate.

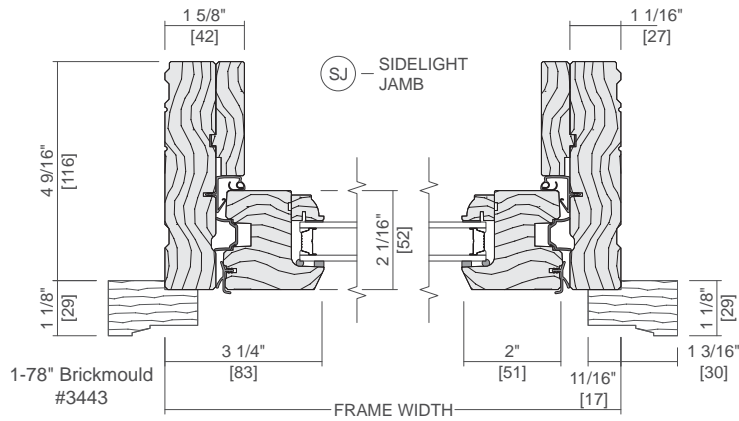
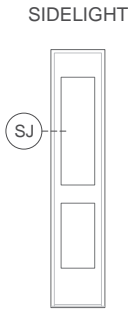
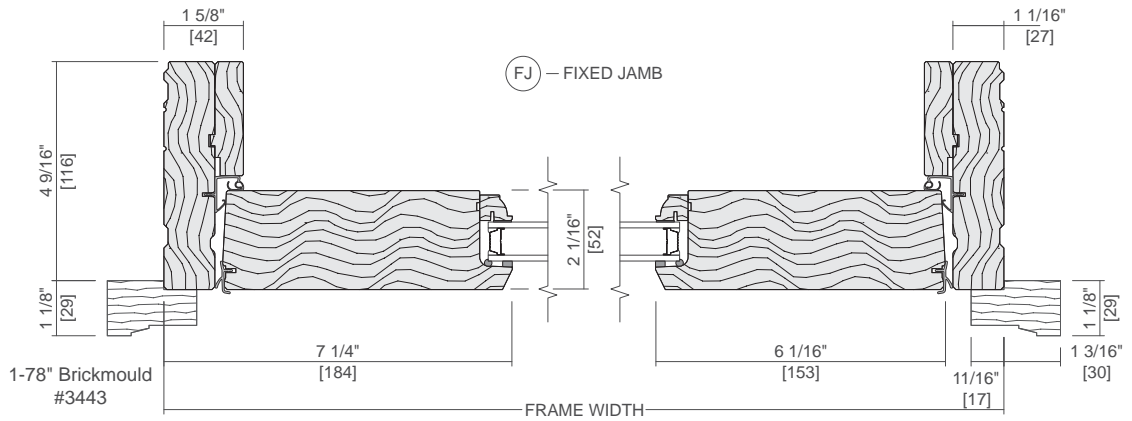
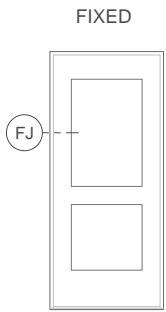
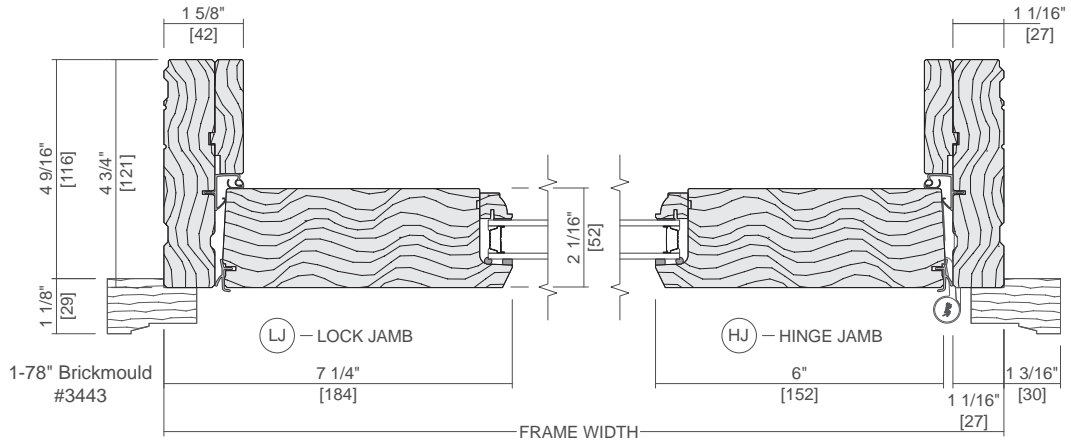
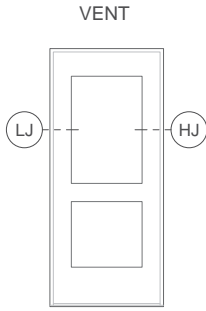
Water resistance is 0 psf for units with a low profile sill.

Rev. 07/17/2024

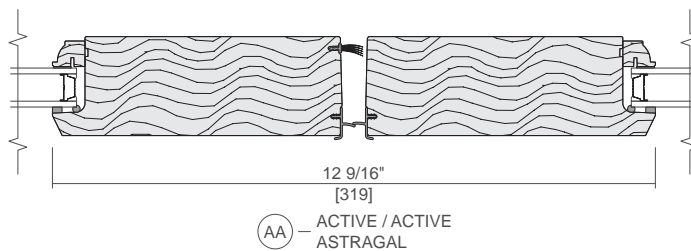
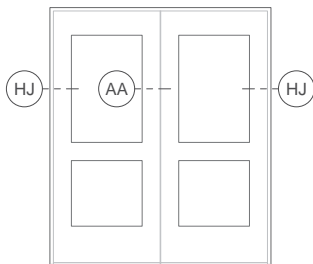


Pella® Reserve™ Commercial Out-Swing Door

Unit Sections - Wood Exterior



ACTIVE / ACTIVE
ASTRAGAL



Scale 3" = 1' 0"

All dimensions are approximate.

Rev. 07/17/2024