



Fixed Sash In Frame – General Information

- Supporting Documents ..... W-FW-2

Product Selection Guide

- Sound Transmission Class and Outdoor-Indoor Transmission Class ..... W-FW-3
- Size and Performance Data ..... W-FW-3
- Features and Options ..... W-FW-4
- Mitered Corner Sizes and Dimensions ..... W-FW-5

Glazing Performance ..... W-FW-6

Grille Types ..... W-FW-12

Typical Grille Patterns

- Curved Shapes ..... W-FW-13
- Arch Heads ..... W-FW-14

Interior Glazed – Curved Shapes ..... W-FW-15

Interior Glazed – Angled Shapes ..... W-FW-16

Exterior Glazed Size and Glazing Options ..... W-FW-17

- Impact-Resistant Glass ..... W-FW-18

Design Data - Design Pressure Performance

- Clad Curved ..... W-FW-19
- Advanced Clad Curved ..... W-FW-20

Detailed Product Descriptions

- Interior Glazed ..... W-FW-21
- Exterior Glazed ..... W-FW-22

Unit Sections

- Curved Interior Glazed ..... W-FW-23
- Curved Interior Glazed - Impact-Resistant ..... W-FW-24
- Rectangular and Angled Interior Glazed ..... W-FW-25
- Rectangular Interior Glazed - Impact-Resistant ..... W-FW-26
- Rectangular Exterior Glazed ..... W-FW-27
- Mitered Corner ..... W-FW-28

**Document Navigation Tips:**

Items listed in the table of contents above are active links that will take you to the corresponding page.  
The Pella logo on each page is a link back to this table of contents.  
Bookmarks are also included in this PDF document and are available as an additional navigation option.

---

The information published in this document is believed to be accurate at the time of publication. However, because we are constantly working to improve our products, specifications are subject to change without notice. Consult your local Pella representative for up-to-date product information.



### Supporting documents for this product:

#### Test Reports:

[https://media.pella.com/professional/adm/CertificationReports/Test\\_Reports\\_FFDS.pdf?utm\\_source=pdfdoc](https://media.pella.com/professional/adm/CertificationReports/Test_Reports_FFDS.pdf?utm_source=pdfdoc)

#### Rectangular CSI Specs (readable using Microsoft Word or other text editing application):

[https://media.pella.com/professional/adm/Wood-CSI\\_Specs/08553.rtf?utm\\_source=pdfdoc](https://media.pella.com/professional/adm/Wood-CSI_Specs/08553.rtf?utm_source=pdfdoc)

#### Curved Shapes CSI Specs (readable using Microsoft Word or other text editing application):

[https://media.pella.com/professional/adm/Wood-CSI\\_Specs/08554.rtf?utm\\_source=pdfdoc](https://media.pella.com/professional/adm/Wood-CSI_Specs/08554.rtf?utm_source=pdfdoc)

#### Impact-Resistant Rectangular CSI Specs (readable using Microsoft Word or other text editing application):

[https://media.pella.com/professional/adm/Wood-CSI\\_Specs/08553-HIG.rtf?utm\\_source=pdfdoc](https://media.pella.com/professional/adm/Wood-CSI_Specs/08553-HIG.rtf?utm_source=pdfdoc)

#### Impact-Resistant Curved Shapes CSI Specs (readable using Microsoft Word or other text editing application):

[https://media.pella.com/professional/adm/Wood-CSI\\_Specs/08554-HIG.rtf?utm\\_source=pdfdoc](https://media.pella.com/professional/adm/Wood-CSI_Specs/08554-HIG.rtf?utm_source=pdfdoc)

#### AIA Masterspec (readable using Microsoft Word or other text editing application):

[https://media.pella.com/professional/adm/Wood-CSI\\_Specs/Masterspec/085200\\_fl.doc?utm\\_source=pdfdoc](https://media.pella.com/professional/adm/Wood-CSI_Specs/Masterspec/085200_fl.doc?utm_source=pdfdoc)

#### Interior Glazed (Rectangular and Shapes) Detailed Product Description (readable using Microsoft Word or other text editing application):

[https://media.pella.com/professional/adm/Clad-Wood/FFDS-INTGL.rtf?utm\\_source=pdfdoc](https://media.pella.com/professional/adm/Clad-Wood/FFDS-INTGL.rtf?utm_source=pdfdoc)

#### Exterior Glazed (Rectangular Only) Detailed Product Description (readable using Microsoft Word or other text editing application):

[https://media.pella.com/professional/adm/Clad-Wood/FFDS-EXTGL.rtf?utm\\_source=pdfdoc](https://media.pella.com/professional/adm/Clad-Wood/FFDS-EXTGL.rtf?utm_source=pdfdoc)

#### CAD cross sections (interior and exterior glazed, rectangular and curved shapes) (requires appropriate CAD software to read and use):

[https://media.pella.com/professional/adm/Clad-Wood/PellaClad-FxdFrm-Details\\_D.dwg?utm\\_source=pdfdoc](https://media.pella.com/professional/adm/Clad-Wood/PellaClad-FxdFrm-Details_D.dwg?utm_source=pdfdoc)

#### Mitered Corner CAD cross sections (requires appropriate CAD software to read and use):

[https://media.pella.com/professional/adm/Clad-Wood/PR-MiterCorner-Detail\\_D.dwg?utm\\_source=pdfdoc](https://media.pella.com/professional/adm/Clad-Wood/PR-MiterCorner-Detail_D.dwg?utm_source=pdfdoc)

#### Rectangular Revit - 3D & BIM (requires appropriate software to read and use):

[https://media.pella.com/professional/adm/RevitFiles/Window-Fixed-Pella-Clad-Rectangular.zip?utm\\_source=pdfdoc](https://media.pella.com/professional/adm/RevitFiles/Window-Fixed-Pella-Clad-Rectangular.zip?utm_source=pdfdoc)

#### Curved Shapes Revit - 3D & BIM (requires appropriate software to read and use):

[https://media.pella.com/professional/adm/RevitFiles/Window-Fixed-Pella-Clad-Shapes.zip?utm\\_source=pdfdoc](https://media.pella.com/professional/adm/RevitFiles/Window-Fixed-Pella-Clad-Shapes.zip?utm_source=pdfdoc)

#### Rectangular Sketchup (requires appropriate software to read and use):

[https://media.pella.com/professional/adm/Clad-Wood/PellaSKP\\_Fixed\\_DirectSet-Rectangular.zip?utm\\_source=pdfdoc](https://media.pella.com/professional/adm/Clad-Wood/PellaSKP_Fixed_DirectSet-Rectangular.zip?utm_source=pdfdoc)

#### Curved Shapes Sketchup (requires appropriate software to read and use):

[https://media.pella.com/professional/adm/Clad-Wood/PellaSKP\\_Fixed\\_DirectSet-shapes.zip?utm\\_source=pdfdoc](https://media.pella.com/professional/adm/Clad-Wood/PellaSKP_Fixed_DirectSet-shapes.zip?utm_source=pdfdoc)

#### Combination Recommendations:

[https://media.pella.com/professional/adm/Clad-Wood/D\\_Combinations.pdf?utm\\_source=pdfdoc](https://media.pella.com/professional/adm/Clad-Wood/D_Combinations.pdf?utm_source=pdfdoc)

#### Installation Details:

[https://media.pella.com/professional/adm/Clad-Wood/F\\_InstallationDetails.pdf?utm\\_source=pdfdoc](https://media.pella.com/professional/adm/Clad-Wood/F_InstallationDetails.pdf?utm_source=pdfdoc)

#### Impact-Resistant Casement, Complete Product Information:

[https://media.pella.com/professional/adm/Clad-Wood/Pella-ImpactResistant\\_Casement.pdf?utm\\_source=pdfdoc](https://media.pella.com/professional/adm/Clad-Wood/Pella-ImpactResistant_Casement.pdf?utm_source=pdfdoc)

#### Casement Shapes, Complete Product Information:

[https://media.pella.com/professional/adm/Clad-Wood/Pella-Reserve\\_CasementShapes.pdf?utm\\_source=pdfdoc](https://media.pella.com/professional/adm/Clad-Wood/Pella-Reserve_CasementShapes.pdf?utm_source=pdfdoc)

Microsoft and Microsoft Word are registered trademarks of Microsoft Corp.

---

The information published in this document is believed to be accurate at the time of publication. However, because we are constantly working to improve our products, specifications are subject to change without notice. Consult your local Pella representative for up-to-date product information.



# Clad-Wood Fixed Frame Direct Set Windows

## Size and Performance Data

	Shapes Other Curved	Rectangular/ Angled Shapes
<b>Sizes</b>		
Custom shapes and sizes made to order	●	●
<b>Interior Glazed Unit Performance<sup>1, 2</sup></b>		
Meets or exceeds AAMA/WDMA ratings – Fin Installation	F-CW40 – F-AW50 Hallmark Certified	F-CW40 – F-AW50 Hallmark Certified
Meets or exceeds AAMA/WDMA ratings - Clip or Screw-through-frame Installation	F - CW60 – AW90 Hallmark Certified	F-CW60 – F-AW90 Hallmark Certified
Air Infiltration (cfm/ft <sup>2</sup> of frame @ 6.24 psf wind pressure)	0.05	0.05
Water Resistance	9.2 - 15.05 psf	9.2 - 15.05 psf
Products with Impact-Resistant Glass	Up to F - CW90 Hallmark Certified	UP TO F-CW90 Hallmark Certified

### Sound Transmission Class /Outdoor-Indoor Transmission Class

Product	Frame Size Tested <sup>3</sup>	Glazing System				STC Rating	OITC Rating
		Overall Glazing Thickness	Exterior Glass Thickness	Center Glass Thickness	Interior Glass Thickness		
Rectangular and Angled Shaped Clad Window	47" x 59"	<b>Fixed Double-Pane Glazing</b>					
		13/16"	3mm	–	3mm	27	22
		13/16"	4mm	–	4mm	28	24
		13/16"	5mm	–	3mm	31	26
		1"	4mm	–	6mm	34	28
		1"	6mm	–	6mm	31	26
		1"	4mm	–	7mm PVB	34	29
		1-1/4"	6mm	–	12mm PVB	38	34
		<b>Fixed Impact-Resistant Laminated Glazing</b>					
		1"	11.7mm PVB	–	5mm	36	32
		1"	11.7mm SGP	–	5mm	35	31
		1-1/4"	13.6mm SGP	–	6mm	37	31
		<b>Fixed Triple-Pane Glazing</b>					
		1-1/4"	5mm	5mm	5mm	31	26

(–) = Not Available

(1) Maximum performance for single unit when glazed with the appropriate glass thickness. See Design Data pages in this section for specific product performance class and grade values.

(2) AAMA/WDMA AW performance class attainable with EnduraClad Plus finish. Contact Pella Representative for details.

(3) ASTM E 1425 defines standard sizes for acoustical testing. Ratings achieved at that size are representative of all sizes of the same configuration.

Not all sizes are Hallmark Certified.



# Clad-Wood Fixed Frame Direct Set Windows

## Features and Options

	Curved Shapes	Rectangular / Angled Shapes
<b>Glazing</b>		
<b>Glazing Type</b>		
Dual-Pane Insulating Glass	S	S
Triple-Pane Insulating Glass	O	O
Clad panel with hardboard core <sub>1</sub>	—	O
<b>Insulated Glass Options / Low-E Types</b>		
Advanced Low-E	S	S
SunDefense™ Low-E	O	O
SunDefense+ Low-E	O	O
AdvancedComfort Low-E	O	O
NaturalSun Low-E	O	O
NaturalSun+ Low-E	O	O
Clear (no Low-E coating)	O	O
<b>Additional Glass Options</b>		
Annealed Glass	S	S
Tempered Glass	O	O
Obscure Glass <sub>2</sub>	O	O
Tinted Glass (Bronze, Gray and Green)	O	O
Spandrel Glass	O	O
Non-Impact Laminated Dual-Pane Insulating Glass	O	O
Impact-Resistant Laminated Dual-Pane Insulating Glass	O	O
<b>Gas Fill/High Altitude</b>		
Argon	S	S
High altitude	O	O
<b>Exterior</b>		
EnduraClad® aluminum-clad exterior	S	S
EnduraClad Plus aluminum-clad exterior	O	O
<b>Cladding Colors</b>		
Standard colors <sub>2</sub>	S	S
Feature Colors, Custom colors <sub>1</sub>	O	O
<b>Interior Finish</b>		
Factory primed interior	O	O
Factory prefinished paint <sub>1</sub>	O	O
Factory prefinished stain <sub>1</sub>	O	O
<b>Wood Types</b>		
Pine	S	S
Mahogany	O	O
Douglas Fir	O	O
<b>Grilles</b>		
<b>Integral Light Technology® Grilles</b>		
Traditional	O	O <sub>4</sub>
Sunburst	O	—
Custom	O	—
<b>Simulated Divided Light Grilles</b>		
Traditional, Prairie, Cross, Top Row	O <sub>3</sub>	O
Sunburst, Starburst	O	—
<b>Grilles-Between-the-Glass</b>		
Traditional, Prairie, Cross, Top Row	O <sub>3</sub>	O
Sunburst	O	—

S = Standard; O = Optional; (—) = Not Available

(1) Contact your local Pella sales representative for current availability, designs and/or color options.

(2) Pella Lifestyle Series is limited to color options within that product offering. Contact your local Pella sales representative for current color options

(3) In select shapes. Cross and Top Row not available in curved units.

(4) Only available in Contemporary rectangular and angle shape units with square grille profile.



# Clad-Wood Fixed Frame Direct Set Windows

## Mitered Corner Sizes and Dimensions

Mitered Corner	Minimum	Maximum	Restrictions
<b>Fixed Frame Direct Set</b>			
	W Left	12"	4' 0"
	W Right	12"	4' 0"
	Height	12"	6' 1"
			Max Frame area of each side cannot be > 54.5 sq ft. Max Glass Area of each side cannot be > 48 sq ft.  See Fixed Frame Direct Set product section for features and options
<b>Fixed Sash in Frame (Casement)</b>			
	W Left	12"	4' 0"
	W Right	12"	4' 0"
	Height	12"	6' 1"
			Max Frame area of each side cannot be > 54.5 sq ft. Max Glass Area of each side cannot be > 48 sq ft.

See Casement sections for standard sizes and performance information, corner unit casements included here for comparison purposes.



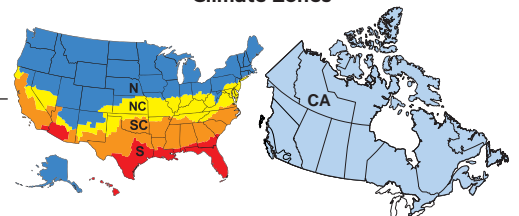
# Clad-Wood Fixed Frame Direct Set Windows

## Glazing Performance - Total Units

Glazing Thickness	Type of Glazing	NFRC Certified Product #	Glass (mm)		Gap Fill	Performance Values <sup>1</sup>				Shaded Areas Meet ENERGY STAR® Performance Criteria in Zones Shown				
			Ext.	Int.		U-Factor	SHGC	VLT %	CR	U. S.		Canada <sup>2</sup>		
										Zone				ER
Rectangular And Curved Shapes										N	NC	SC	S	CA
13/16"	Clear IG	PEL-N-18-04004-00001	3	3	Air	0.47	0.69	0.72	43					
	with grilles-between-the-glass	PEL-N-18-04005-00001				0.47	0.62	0.65	43					
	with integral grilles	PEL-N-18-04006-00001				0.47	0.62	0.65	43					
13/16"	Clear IG	PEL-N-18-04008-00001	4	4	Air	0.47	0.67	0.72	42					
	with grilles-between-the-glass	PEL-N-18-04009-00001				0.47	0.61	0.65	42					
	with integral grilles	PEL-N-18-04010-00001				0.47	0.61	0.65	42					
13/16"	Clear IG	PEL-N-18-04020-00001	5	5	Air	0.47	0.66	0.71	42					
	with grilles-between-the-glass	PEL-N-18-04021-00001				0.47	0.60	0.64	42					
	with integral grilles	PEL-N-18-04022-00001				0.47	0.60	0.64	42					
13/16"	Advanced Low-E IG	PEL-N-18-04208-00001	3	3	Argon	0.28	0.32	0.62	57					
	with grilles-between-the-glass	PEL-N-18-04209-00001				0.28	0.29	0.55	57					
	with integral grilles	PEL-N-18-04210-00001				0.29	0.29	0.55	57					
13/16"	Advanced Low-E IG	PEL-N-18-04216-00001	4	4	Argon	0.28	0.32	0.61	57					
	with grilles-between-the-glass	PEL-N-18-04217-00001				0.28	0.29	0.55	57					
	with integral grilles	PEL-N-18-04218-00001				0.28	0.29	0.55	57					
13/16"	Advanced Low-E IG	PEL-N-18-04240-00001	5	5	Argon	0.27	0.32	0.60	56					
	with grilles-between-the-glass	PEL-N-18-04241-00001				0.27	0.29	0.54	56					
	with integral grilles	PEL-N-18-04242-00001				0.28	0.29	0.54	56					
13/16"	SunDefense™ Low-E IG	PEL-N-18-04376-00001	3	3	Argon	0.28	0.24	0.57	57					
	with grilles-between-the-glass	PEL-N-18-04377-00001				0.28	0.22	0.51	57		SC	S		
	with integral grilles	PEL-N-18-04378-00001				0.28	0.22	0.51	57		SC	S		
13/16"	SunDefense™ Low-E IG	PEL-N-18-04384-00001	4	4	Argon	0.27	0.24	0.57	57					
	with grilles-between-the-glass	PEL-N-18-04385-00001				0.27	0.22	0.51	57		SC	S		
	with integral grilles	PEL-N-18-04386-00001				0.28	0.22	0.51	57		SC	S		
13/16"	SunDefense™ Low-E IG	PEL-N-18-04408-00001	5	5	Argon	0.27	0.24	0.56	56					
	with grilles-between-the-glass	PEL-N-18-04409-00001				0.27	0.22	0.50	56		SC	S		
	with integral grilles	PEL-N-18-04410-00001				0.28	0.22	0.50	56		SC	S		
13/16"	SunDefense+ Low-E IG	PEL-N-18-04424-00001	3	3	Argon	0.23	0.24	0.56	46		NC			
	with grilles-between-the-glass	PEL-N-18-04425-00001				0.23	0.21	0.50	46		NC	SC	S	
	with integral grilles	PEL-N-18-04426-00001				0.24	0.21	0.50	46		NC	SC	S	
13/16"	SunDefense+ Low-E IG	PEL-N-18-04432-00001	4	4	Argon	0.23	0.24	0.55	45		NC			
	with grilles-between-the-glass	PEL-N-18-04433-00001				0.23	0.22	0.50	45		NC	SC	S	
	with integral grilles	PEL-N-18-04434-00001				0.23	0.22	0.50	45		NC	SC	S	
13/16"	SunDefense+ Low-E IG	PEL-N-18-04456-00001	5	5	Argon	0.23	0.24	0.55	44		NC			
	with grilles-between-the-glass	PEL-N-18-04457-00001				0.23	0.22	0.49	44		NC	SC	S	
	with integral grilles	PEL-N-18-04458-00001				0.23	0.22	0.49	44		NC	SC	S	
13/16"	AdvancedComfort Low-E IG	PEL-N-18-04328-00001	3	3	Argon	0.23	0.32	0.60	45		NC			
	with grilles-between-the-glass	PEL-N-18-04329-00001				0.23	0.29	0.54	45		NC			
	with integral grilles	PEL-N-18-04330-00001				0.24	0.29	0.54	45		NC			
13/16"	AdvancedComfort Low-E IG	PEL-N-18-04336-00001	4	4	Argon	0.23	0.31	0.59	45		NC			
	with grilles-between-the-glass	PEL-N-18-04337-00001				0.23	0.29	0.53	45		NC			
	with integral grilles	PEL-N-18-04338-00001				0.24	0.29	0.53	45		NC			
13/16"	AdvancedComfort Low-E IG	PEL-N-18-04360-00001	5	5	Argon	0.23	0.31	0.59	44		NC			
	with grilles-between-the-glass	PEL-N-18-04361-00001				0.23	0.28	0.53	44		NC			
	with integral grilles	PEL-N-18-04362-00001				0.24	0.28	0.53	44		NC			

R-Value = 1/U-Factor  
 SHGC = Solar Heat Gain Coefficient  
 VLT % = Visible Light Transmission  
 CR = Condensation Resistance  
 ER = Canadian Energy Rating

Climate Zones



(1) Glazing performance values are calculated based on NFRC 100, NFRC 200 and NFRC 500. ENERGY STAR® values are updated to 2023 (Version 7) criteria.

(2) The values shown are based on Canada's updated ENERGY STAR® 2020 initiative.

See the Product Performance section for more detailed information or visit [www.energystar.gov](http://www.energystar.gov) for Energy Star guidelines.



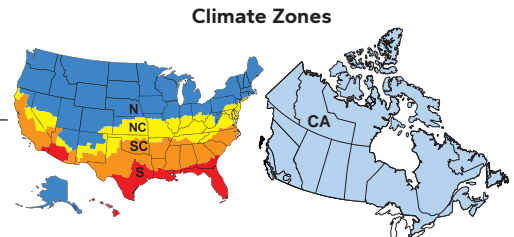
# Clad-Wood Fixed Frame Direct Set Windows

## Glazing Performance - Total Units

Glazing Thickness	Type of Glazing	NFRC Certified Product #	Glass (mm)		Gap Fill	Performance Values <sub>1</sub>				Shaded Areas Meet ENERGY STAR® Performance Criteria in Zones Shown					
			Ext.	Int.		U-Factor	SHGC	VLT %	CR	U. S.				Canada <sub>2</sub>	
										Zone				ER	Zone
Rectangular And Curved Shapes										N	NC	SC	S	CA	
13/16"	NaturalSun Low-E IG	PEL-N-18-04112-00001	3	3	Argon	0.29	0.61	0.70	57					39	CA
	with grilles-between-the-glass	PEL-N-18-04113-00001				0.29	0.55	0.63	57					35	CA
	with integral grilles	PEL-N-18-04114-00001				0.30	0.55	0.63	57					34	CA
13/16"	NaturalSun Low-E IG	PEL-N-18-04120-00001	4	4	Argon	0.29	0.59	0.69	56					38	CA
	with grilles-between-the-glass	PEL-N-18-04121-00001				0.29	0.54	0.62	56					35	CA
	with integral grilles	PEL-N-18-04122-00001				0.30	0.54	0.62	56					34	CA
13/16"	NaturalSun Low-E IG	PEL-N-18-04144-00001	5	5	Argon	0.28	0.58	0.69	55					38	CA
	with grilles-between-the-glass	PEL-N-18-04145-00001				0.28	0.53	0.62	55					36	CA
	with integral grilles	PEL-N-18-04146-00001				0.30	0.53	0.62	55						
13/16"	NaturalSun+ Low-E IG	PEL-N-18-04160-00001	3	3	Argon	0.24	0.55	0.68	45	N				42	CA
	with grilles-between-the-glass	PEL-N-18-04161-00001				0.24	0.50	0.61	45	N				39	CA
	with integral grilles	PEL-N-18-04162-00001				0.25	0.50	0.61	45	N				38	CA
13/16"	NaturalSun+ Low-E IG	PEL-N-18-04168-00001	4	4	Argon	0.24	0.54	0.68	44	N				41	CA
	with grilles-between-the-glass	PEL-N-18-04169-00001				0.24	0.48	0.61	44	N				38	CA
	with integral grilles	PEL-N-18-04170-00001				0.24	0.48	0.61	44	N				38	CA
13/16"	NaturalSun+ Low-E IG	PEL-N-18-04192-00001	5	5	Argon	0.24	0.53	0.67	43	N				41	CA
	with grilles-between-the-glass	PEL-N-18-04193-00001				0.24	0.48	0.60	43	N				38	CA
	with integral grilles	PEL-N-18-04194-00001				0.24	0.48	0.60	43	N				38	CA
1"	Advanced Low-E IG	PEL-N-18-04248-00001	6	6	Argon	0.28	0.31	0.59	56						
	with grilles-between-the-glass	PEL-N-18-04249-00001				0.28	0.29	0.53	56						
	with integral grilles	PEL-N-18-04250-00001				0.28	0.29	0.53	56						
1"	SunDefense™ Low-E IG	PEL-N-18-04416-00001	6	6	Argon	0.27	0.24	0.55	56						
	with grilles-between-the-glass	PEL-N-18-04417-00001				0.27	0.22	0.50	56			SC	S		
	with integral grilles	PEL-N-18-04418-00001				0.28	0.22	0.50	56			SC	S		
1"	SunDefense+ Low-E IG	PEL-N-18-04464-00001	6	6	Argon	0.23	0.23	0.54	45		NC	SC	S		
	with grilles-between-the-glass	PEL-N-18-04465-00001				0.23	0.21	0.48	45		NC	SC	S		
	with integral grilles	PEL-N-18-04466-00001				0.23	0.21	0.48	45		NC	SC	S		
1"	AdvancedComfort Low-E IG	PEL-N-18-04368-00001	6	6	Argon	0.23	0.31	0.58	44		NC				
	with grilles-between-the-glass	PEL-N-18-04369-00001				0.23	0.28	0.52	44		NC				
	with integral grilles	PEL-N-18-04370-00001				0.24	0.28	0.52	44		NC				
1"	NaturalSun Low-E IG	PEL-N-18-04152-00001	6	6	Argon	0.29	0.57	0.68	55					37	CA
	with grilles-between-the-glass	PEL-N-18-04153-00001				0.29	0.51	0.61	55						
	with integral grilles	PEL-N-18-04154-00001				0.30	0.51	0.61	55						
1"	NaturalSun+ Low-E IG	PEL-N-18-04200-00001	6	6	Argon	0.24	0.51	0.66	43	N				39	CA
	with grilles-between-the-glass	PEL-N-18-04201-00001				0.24	0.46	0.59	43	N				37	CA
	with integral grilles	PEL-N-18-04202-00001				0.24	0.46	0.59	43	N				37	CA

R-Value = 1/U-Factor  
 SHGC = Solar Heat Gain Coefficient  
 VLT % = Visible Light Transmission  
 CR = Condensation Resistance  
 ER = Canadian Energy Rating

(1) Glazing performance values are calculated based on NFRC 100, NFRC 200 and NFRC 500. ENERGY STAR® values are updated to 2023 (Version 7) criteria.  
 (2) The values shown are based on Canada's updated ENERGY STAR® 2020 initiative.  
 See the Product Performance section for more detailed information or visit [www.energystar.gov](http://www.energystar.gov) for Energy Star guidelines.





# Clad-Wood Fixed Frame Direct Set Windows

## Glazing Performance - Total Units

Glazing Thickness	Type of Glazing	NFRC Certified Product #	Glass (mm)		Gap Fill	Performance Values <sup>1</sup>				Shaded Areas Meet ENERGY STAR® Performance Criteria in Zones Shown					
			Ext.	Int.		U-Factor	SHGC	VLT %	CR	U. S.				Canada <sup>2</sup>	
										Zone				ER	Zone
Rectangular And Curved Shapes With Tinted Glazing										N	NC	SC	S	CA	
13/16"	Bronze Advanced Low-E IG	PEL-N-18-04256-00001	5	3	Argon	0.27	0.29	0.40	58						
	with grilles-between-the-glass	PEL-N-18-04257-00001				0.27	0.26	0.36	58						
	with integral grilles	PEL-N-18-04258-00001				0.29	0.26	0.36	58						
13/16"	Gray Advanced Low-E IG	PEL-N-18-04280-00001	5	3	Argon	0.27	0.26	0.34	58						
	with grilles-between-the-glass	PEL-N-18-04281-00001				0.27	0.24	0.31	58						
	with integral grilles	PEL-N-18-04282-00001				0.29	0.24	0.31	58						
13/16"	Green Advanced Low-E IG	PEL-N-18-04304-00001	5	3	Argon	0.27	0.33	0.54	58						
	with grilles-between-the-glass	PEL-N-18-04305-00001				0.27	0.30	0.49	58						
	with integral grilles	PEL-N-18-04306-00001				0.29	0.30	0.49	58						
13/16"	Reflective Bronze IG	PEL-N-18-04028-00001	5	5	Air	0.47	0.30	0.18	42						
	with grilles-between-the-glass	PEL-N-18-04029-00001				0.47	0.27	0.16	42						
	with integral grilles	PEL-N-18-04030-00001				0.47	0.27	0.16	42						
1"	Bronze Advanced Low-E IG	PEL-N-18-04272-00001	6	6	Argon	0.28	0.27	0.35	56						
	with grilles-between-the-glass	PEL-N-18-04273-00001				0.28	0.24	0.32	56						
	with integral grilles	PEL-N-18-04274-00001				0.29	0.24	0.32	56						
1"	Gray Advanced Low-E IG	PEL-N-18-04296-00001	6	6	Argon	0.28	0.24	0.30	56						
	with grilles-between-the-glass	PEL-N-18-04297-00001				0.28	0.22	0.27	56			SC	S		
	with integral grilles	PEL-N-18-04298-00001				0.29	0.22	0.27	56				S		
1"	Green Advanced Low-E IG	PEL-N-18-04320-00001	6	6	Argon	0.28	0.31	0.52	56						
	with grilles-between-the-glass	PEL-N-18-04321-00001				0.28	0.28	0.46	56						
	with integral grilles	PEL-N-18-04322-00001				0.29	0.28	0.46	56						
1"	Reflective Bronze IG	PEL-N-18-04036-00001	6	6	Air	0.46	0.27	0.16	42						
	with grilles-between-the-glass	PEL-N-18-04037-00001				0.46	0.25	0.15	42						
	with integral grilles	PEL-N-18-04038-00001				0.47	0.25	0.15	42						
1"	Reflective Gray IG	PEL-N-18-04048-00001	6	6	Argon	0.44	0.24	0.13	44						
	with grilles-between-the-glass	PEL-N-18-04049-00001				0.44	0.22	0.12	44						
	with integral grilles	PEL-N-18-04050-00001				0.45	0.22	0.12	44						

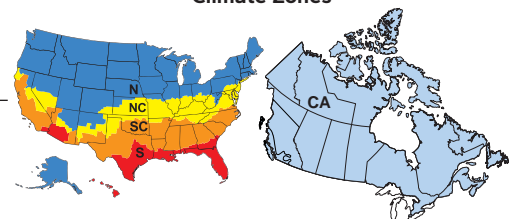
R-Value = 1/U-Factor  
 SHGC = Solar Heat Gain Coefficient  
 VLT % = Visible Light Transmission  
 CR = Condensation Resistance  
 ER = Canadian Energy Rating

(1) Glazing performance values are calculated based on NFRC 100, NFRC 200 and NFRC 500. ENERGY STAR® values are updated to 2023 (Version 7) criteria.

(2) The values shown are based on Canada's updated ENERGY STAR® 2020 initiative.

See the Product Performance section for more detailed information or visit [www.energystar.gov](http://www.energystar.gov) for Energy Star guidelines.

Climate Zones







# Clad-Wood Fixed Frame Direct Set Windows

## Glazing Performance - Total Units

Glazing Thickness	Type of Glazing	NFRC Certified Product #	Glass (mm)		Gap Fill	Performance Values <sub>1</sub>				Shaded Areas Meet ENERGY STAR® Performance Criteria in Zones Shown					
			Ext.	Int.		U-Factor	SHGC	VLT %	CR	U. S.				Canada <sub>2</sub>	
										Zone				ER	Zone
Rectangular And Curved Shapes - High Altitude Glazing										N	NC	SC	S	CA	
13/16"	Advanced Low-E IG	PEL-N-18-04204-00001	3	3	Air	0.32	0.33	0.62	54						
	with grilles-between-the-glass	PEL-N-18-04205-00001				0.32	0.30	0.55	54						
	with integral grilles	PEL-N-18-04206-00001				0.33	0.30	0.55	54						
13/16"	Advanced Low-E IG	PEL-N-18-04212-00001	4	4	Air	0.32	0.32	0.61	53						
	with grilles-between-the-glass	PEL-N-18-04213-00001				0.32	0.29	0.55	53						
	with integral grilles	PEL-N-18-04214-00001				0.32	0.29	0.55	53						
13/16"	Advanced Low-E IG	PEL-N-18-04236-00001	5	5	Air	0.32	0.32	0.60	52						
	with grilles-between-the-glass	PEL-N-18-04237-00001				0.32	0.29	0.54	52						
	with integral grilles	PEL-N-18-04238-00001				0.32	0.29	0.54	52						
13/16"	SunDefense Low-E IG	PEL-N-18-04372-00001	3	3	Air	0.32	0.24	0.57	54						
	with grilles-between-the-glass	PEL-N-18-04373-00001				0.32	0.22	0.51	54				S		
	with integral grilles	PEL-N-18-04374-00001				0.32	0.22	0.51	54				S		
13/16"	SunDefense Low-E IG	PEL-N-18-04380-00001	4	4	Air	0.31	0.25	0.57	54						
	with grilles-between-the-glass	PEL-N-18-04381-00001				0.31	0.22	0.51	54				S		
	with integral grilles	PEL-N-18-04382-00001				0.32	0.22	0.51	54				S		
13/16"	SunDefense Low-E IG	PEL-N-18-04404-00001	5	5	Air	0.31	0.25	0.56	53						
	with grilles-between-the-glass	PEL-N-18-04405-00001				0.31	0.22	0.50	53				S		
	with integral grilles	PEL-N-18-04406-00001				0.32	0.22	0.50	53				S		
13/16"	SunDefense+ Low-E IG	PEL-N-18-04420-00001	3	3	Air	0.26	0.24	0.56	42						
	with grilles-between-the-glass	PEL-N-18-04421-00001				0.26	0.22	0.50	42				SC	S	
	with integral grilles	PEL-N-18-04422-00001				0.26	0.22	0.50	42				SC	S	
13/16"	SunDefense+ Low-E IG	PEL-N-18-04428-00001	4	4	Air	0.25	0.24	0.55	42		NC				
	with grilles-between-the-glass	PEL-N-18-04429-00001				0.25	0.22	0.50	42		NC	SC	S		
	with integral grilles	PEL-N-18-04430-00001				0.26	0.22	0.50	42			SC	S		
13/16"	SunDefense+ Low-E IG	PEL-N-18-04452-00001	5	5	Air	0.26	0.24	0.55	41						
	with grilles-between-the-glass	PEL-N-18-04453-00001				0.26	0.22	0.49	41				SC	S	
	with integral grilles	PEL-N-18-04454-00001				0.26	0.22	0.49	41				SC	S	
13/16"	AdvancedComfort Low-E IG	PEL-N-18-04324-00001	3	3	Air	0.26	0.32	0.60	42						
	with grilles-between-the-glass	PEL-N-18-04325-00001				0.26	0.29	0.54	42						
	with integral grilles	PEL-N-18-04326-00001				0.27	0.29	0.54	42						
13/16"	AdvancedComfort Low-E IG	PEL-N-18-04332-00001	4	4	Air	0.26	0.32	0.59	42						
	with grilles-between-the-glass	PEL-N-18-04333-00001				0.26	0.29	0.53	42						
	with integral grilles	PEL-N-18-04334-00001				0.26	0.29	0.53	42						
13/16"	AdvancedComfort Low-E IG	PEL-N-18-04356-00001	5	5	Air	0.26	0.31	0.59	40						
	with grilles-between-the-glass	PEL-N-18-04357-00001				0.26	0.28	0.53	40						
	with integral grilles	PEL-N-18-04358-00001				0.27	0.28	0.53	40						

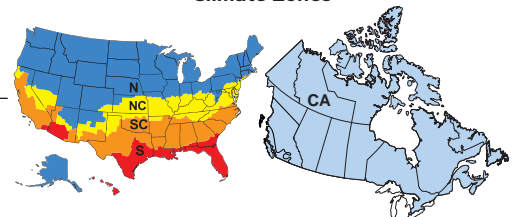
R-Value = 1/U-Factor  
 SHGC = Solar Heat Gain Coefficient  
 VLT % = Visible Light Transmission  
 CR = Condensation Resistance  
 ER = Canadian Energy Rating

(1) Glazing performance values are calculated based on NFRC 100, NFRC 200 and NFRC 500. ENERGY STAR® values are updated to 2023 (Version 7) criteria.

(2) The values shown are based on Canada's updated ENERGY STAR® 2020 initiative.

See the Product Performance section for more detailed information or visit [www.energystar.gov](http://www.energystar.gov) for Energy Star guidelines.

Climate Zones





# Clad-Wood Fixed Frame Direct Set Windows

Glazing Thickness	Type of Glazing	NFRC Certified Product #	Glass (mm)		Gap Fill	Performance Values <sup>1</sup>				Shaded Areas Meet ENERGY STAR® Performance Criteria in Zones Shown					
			Ext.	Int.		U-Factor	SHGC	VLT %	CR	U. S.				Canada <sup>2</sup>	
										Zone				ER	Zone
Rectangular And Curved Shapes - High Altitude Glazing										N	NC	SC	S	CA	
13/16"	NaturalSun Low-E IG	PEL-N-18-04108-00001	3	3	Air	0.33	0.60	0.70	53					34	CA
	with grilles-between-the-glass	PEL-N-18-04109-00001				0.33	0.55	0.63	53						
	with integral grilles	PEL-N-18-04110-00001				0.34	0.55	0.63	53						
13/16"	NaturalSun Low-E IG	PEL-N-18-04116-00001	4	4	Air	0.32	0.59	0.69	53					34	CA
	with grilles-between-the-glass	PEL-N-18-04117-00001				0.32	0.54	0.62	53						
	with integral grilles	PEL-N-18-04118-00001				0.33	0.54	0.62	53						
13/16"	NaturalSun Low-E IG	PEL-N-18-04140-00001	5	5	Air	0.33	0.58	0.69	52						
	with grilles-between-the-glass	PEL-N-18-04141-00001				0.33	0.53	0.62	52						
	with integral grilles	PEL-N-18-04142-00001				0.34	0.53	0.62	52						
13/16"	NaturalSun+ Low-E IG	PEL-N-18-04156-00001	3	3	Air	0.27	0.55	0.68	41					38	CA
	with grilles-between-the-glass	PEL-N-18-04157-00001				0.27	0.50	0.61	41					35	CA
	with integral grilles	PEL-N-18-04158-00001				0.27	0.50	0.61	41					35	CA
13/16"	NaturalSun+ Low-E IG	PEL-N-18-04164-00001	4	4	Air	0.26	0.53	0.68	41	N				38	CA
	with grilles-between-the-glass	PEL-N-18-04165-00001				0.26	0.48	0.61	41	N				35	CA
	with integral grilles	PEL-N-18-04166-00001				0.27	0.48	0.61	41					34	CA
13/16"	NaturalSun+ Low-E IG	PEL-N-18-04188-00001	5	5	Air	0.27	0.52	0.67	40					36	CA
	with grilles-between-the-glass	PEL-N-18-04189-00001				0.27	0.47	0.60	40						
	with integral grilles	PEL-N-18-04190-00001				0.27	0.47	0.60	40						
1"	Clear IG	PEL-N-18-04024-00001	6	6	Air	0.46	0.64	0.70	42						
	with grilles-between-the-glass	PEL-N-18-04025-00001				0.46	0.58	0.63	42						
	with integral grilles	PEL-N-18-04026-00001				0.47	0.58	0.63	42						
1"	Advanced Low-E IG	PEL-N-18-04244-00001	6	6	Air	0.32	0.32	0.59	53						
	with grilles-between-the-glass	PEL-N-18-04245-00001				0.32	0.29	0.53	53						
	with integral grilles	PEL-N-18-04246-00001				0.32	0.29	0.53	53						
1"	SunDefense™ Low-E IG	PEL-N-18-04412-00001	6	6	Air	0.31	0.24	0.55	53						
	with grilles-between-the-glass	PEL-N-18-04413-00001				0.31	0.22	0.50	53				S		
	with integral grilles	PEL-N-18-04414-00001				0.32	0.22	0.50	53				S		
1"	SunDefense+ Low-E IG	PEL-N-18-04460-00001	6	6	Air	0.25	0.24	0.54	41		NC				
	with grilles-between-the-glass	PEL-N-18-04461-00001				0.25	0.22	0.48	41		NC	SC	S		
	with integral grilles	PEL-N-18-04462-00001				0.26	0.22	0.48	41			SC	S		
1"	AdvancedComfort Low-E IG	PEL-N-18-04364-00001	6	6	Air	0.26	0.31	0.58	41						
	with grilles-between-the-glass	PEL-N-18-04365-00001				0.26	0.28	0.52	41						
	with integral grilles	PEL-N-18-04366-00001				0.26	0.28	0.52	41						
1"	NaturalSun Low-E IG	PEL-N-18-04148-00001	6	6	Air	0.33	0.57	0.68	52						
	with grilles-between-the-glass	PEL-N-18-04149-00001				0.33	0.51	0.61	52						
	with integral grilles	PEL-N-18-04150-00001				0.33	0.51	0.61	52						
1"	NaturalSun+ Low-E IG	PEL-N-18-04196-00001	6	6	Air	0.26	0.51	0.66	41	N				37	CA
	with grilles-between-the-glass	PEL-N-18-04197-00001				0.26	0.46	0.59	41	N				34	CA
	with integral grilles	PEL-N-18-04198-00001				0.27	0.46	0.59	41						

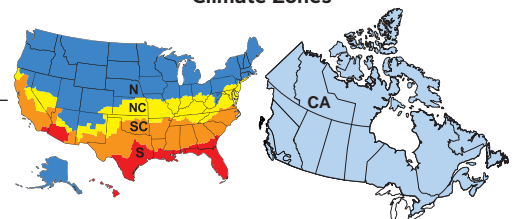
R-Value = 1/U-Factor  
 SHGC = Solar Heat Gain Coefficient  
 VLT % = Visible Light Transmission  
 CR = Condensation Resistance  
 ER = Canadian Energy Rating

(1) Glazing performance values are calculated based on NFRC 100, NFRC 200 and NFRC 500. ENERGY STAR® values are updated to 2023 (Version 7) criteria.

(2) The values shown are based on Canada's updated ENERGY STAR® 2020 initiative.

See the Product Performance section for more detailed information or visit [www.energystar.gov](http://www.energystar.gov) for Energy Star guidelines.

Climate Zones





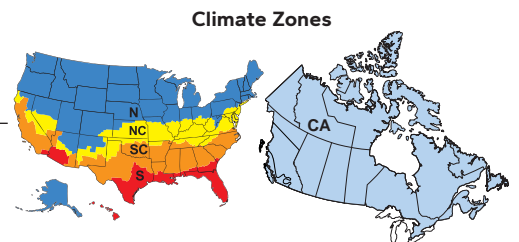
# Clad-Wood Fixed Frame Direct Set Windows

## Glazing Performance - Total Units

Glazing Thickness	Type of Glazing	NFRC Certified Product #	Glass (mm)			Gap Fill	Performance Values <sup>1</sup>				Shaded Areas Meet ENERGY STAR® Performance Criteria in Zones Shown					
			Ext.	Mid.	Int.		U-Factor	SHGC	VLT %	CR	U. S.					
											Zone				ER	Zone
Interior Glazed With Triple-Pane Glazing											N	NC	SC	S	CA	
1-1/8"	Decorative Glass (3)	PEL-N-18-04620-00001	3	3	3	Air	0.34	0.62	0.66	55						
1-1/8"	Advanced Low-E IG	PEL-N-18-04661-00001	3	3	3	Argon	0.18	0.29	0.54	69	N	NC			34	CA
	with grilles-between-the-glass	PEL-N-18-04662-00001					0.18	0.27	0.49	69	N	NC			33	CA
	with integral grilles	PEL-N-18-04663-00001					0.18	0.27	0.49	69	N	NC			33	CA
1-1/4"	Advanced Low-E IG	PEL-N-18-04673-00001	4	4	4	Argon	0.18	0.29	0.53	68	N	NC			34	CA
	with grilles-between-the-glass	PEL-N-18-04674-00001					0.18	0.26	0.48	68	N	NC			32	CA
	with integral grilles	PEL-N-18-04675-00001					0.18	0.26	0.48	68	N	NC			32	CA
1-3/8"	Advanced Low-E IG	PEL-N-18-04685-00001	5	5	5	Argon	0.18	0.29	0.53	68	N	NC			34	CA
	with grilles-between-the-glass	PEL-N-18-04686-00001					0.18	0.26	0.47	68	N	NC			32	CA
	with integral grilles	PEL-N-18-04687-00001					0.18	0.26	0.47	68	N	NC			32	CA
1-1/8"	SunDefense™ Low-E IG	PEL-N-18-04697-00001	3	3	3	Argon	0.18	0.22	0.50	69	N	NC	SC	S	30	CA
	with grilles-between-the-glass	PEL-N-18-04698-00001					0.18	0.20	0.45	69	N	NC	SC	S	29	CA
	with integral grilles	PEL-N-18-04699-00001					0.18	0.20	0.45	69	N	NC	SC	S	29	CA
1-1/4"	SunDefense™ Low-E IG	PEL-N-18-04709-00001	4	4	4	Argon	0.18	0.22	0.50	68	N	NC	SC	S	30	CA
	with grilles-between-the-glass	PEL-N-18-04710-00001					0.18	0.20	0.45	68	N	NC	SC	S	29	CA
	with integral grilles	PEL-N-18-04711-00001					0.18	0.20	0.45	68	N	NC	SC	S	29	CA
1-3/8"	SunDefense™ Low-E IG	PEL-N-18-04721-00001	5	5	5	Argon	0.18	0.22	0.49	68	N	NC	SC	S	30	CA
	with grilles-between-the-glass	PEL-N-18-04722-00001					0.18	0.20	0.44	68	N	NC	SC	S	29	CA
	with integral grilles	PEL-N-18-04723-00001					0.18	0.20	0.44	68	N	NC	SC	S	29	CA
1-1/8"	NaturalSun Low-E IG	PEL-N-18-04625-00001	3	3	3	Argon	0.18	0.49	0.61	68	N				46	CA
	with grilles-between-the-glass	PEL-N-18-04626-00001					0.19	0.45	0.55	68	N				42	CA
	with integral grilles	PEL-N-18-04627-00001					0.19	0.45	0.55	68	N				42	CA
1-1/4"	NaturalSun Low-E IG	PEL-N-18-04637-00001	4	4	4	Argon	0.18	0.48	0.61	68	N				45	CA
	with grilles-between-the-glass	PEL-N-18-04638-00001					0.19	0.43	0.55	68	N				41	CA
	with integral grilles	PEL-N-18-04639-00001					0.19	0.43	0.55	68	N				41	CA
1-3/8"	NaturalSun Low-E IG	PEL-N-18-04649-00001	5	5	5	Argon	0.18	0.47	0.60	67	N				45	CA
	with grilles-between-the-glass	PEL-N-18-04650-00001					0.18	0.43	0.54	67	N				42	CA
	with integral grilles	PEL-N-18-04651-00001					0.19	0.43	0.54	67	N				41	CA

R-Value = 1/U-Factor  
 SHGC = Solar Heat Gain Coefficient  
 VLT % = Visible Light Transmission  
 CR = Condensation Resistance  
 ER = Canadian Energy Rating

(1) Glazing performance values are calculated based on NFRC 100, NFRC 200 and NFRC 500. ENERGY STAR® values are updated to 2023 (Version 7) criteria.  
 (2) The values shown are based on Canada's updated ENERGY STAR® 2020 initiative.  
 See the Product Performance section for more detailed information or visit [www.energystar.gov](http://www.energystar.gov) for Energy Star guidelines.





# Clad-Wood Fixed Frame Direct Set Windows

## Glazing Performance - Total Units

Glazing Thickness	Type of Glazing	NFRC Certified Product #	Glass (mm)			Gap Fill	Performance Values <sup>1</sup>				Shaded Areas Meet ENERGY STAR® Performance Criteria in Zones Shown					
			Ext.	Mid.	Int.		U-Factor	SHGC	VLT %	CR	U. S.					
											Zone				ER	Zone
<b>Interior Glazed Triple-Pane High Altitude Glazing</b>											N	NC	SC	S		CA
1-1/8"	Advanced Low-E IG	PEL-N-18-04657-00001	3	3	3	Air	0.22	0.30	0.54	65	N	NC				
	with grilles-between-the-glass	PEL-N-18-04658-00001					0.22	0.27	0.49	65	N	NC				
	with integral grilles	PEL-N-18-04659-00001					0.22	0.27	0.49	65	N	NC				
1-1/4"	Advanced Low-E IG	PEL-N-18-04669-00001	4	4	4	Air	0.21	0.29	0.53	65	N	NC			30	CA
	with grilles-between-the-glass	PEL-N-18-04670-00001					0.22	0.26	0.48	65	N	NC				
	with integral grilles	PEL-N-18-04671-00001					0.22	0.26	0.48	65	N	NC				
1-3/8"	Advanced Low-E IG	PEL-N-18-04681-00001	5	5	5	Air	0.21	0.29	0.53	65	N	NC			30	CA
	with grilles-between-the-glass	PEL-N-18-04682-00001					0.22	0.26	0.47	65	N	NC				
	with integral grilles	PEL-N-18-04683-00001					0.22	0.26	0.47	65	N	NC				
1-1/8"	SunDefense Low-E IG	PEL-N-18-04693-00001	3	3	3	Air	0.21	0.22	0.50	65	N	NC	SC	S	26	CA
	with grilles-between-the-glass	PEL-N-18-04694-00001					0.22	0.20	0.45	65	N	NC	SC	S		
	with integral grilles	PEL-N-18-04695-00001					0.22	0.20	0.45	65	N	NC	SC	S		
1-1/4"	SunDefense Low-E IG	PEL-N-18-04705-00001	4	4	4	Air	0.21	0.22	0.50	65	N	NC	SC	S	26	CA
	with grilles-between-the-glass	PEL-N-18-04706-00001					0.22	0.20	0.45	65	N	NC	SC	S		
	with integral grilles	PEL-N-18-04707-00001					0.22	0.20	0.45	65	N	NC	SC	S		
1-3/8"	SunDefense Low-E IG	PEL-N-18-04717-00001	5	5	5	Air	0.21	0.22	0.49	65	N	NC	SC	S	26	CA
	with grilles-between-the-glass	PEL-N-18-04718-00001					0.22	0.20	0.44	65	N	NC	SC	S		
	with integral grilles	PEL-N-18-04719-00001					0.22	0.20	0.44	65	N	NC	SC	S		
1-1/8"	NaturalSun Low-E IG	PEL-N-18-04621-00001	3	3	3	Air	0.22	0.49	0.61	65	N				41	CA
	with grilles-between-the-glass	PEL-N-18-04622-00001					0.22	0.45	0.55	65	N				38	CA
	with integral grilles	PEL-N-18-04623-00001					0.22	0.45	0.55	65	N				38	CA
1-1/4"	NaturalSun Low-E IG	PEL-N-18-04633-00001	4	4	4	Air	0.22	0.48	0.61	65	N				40	CA
	with grilles-between-the-glass	PEL-N-18-04634-00001					0.22	0.43	0.55	65	N				37	CA
	with integral grilles	PEL-N-18-04635-00001					0.22	0.43	0.55	65	N				37	CA
1-3/8"	NaturalSun Low-E IG	PEL-N-18-04645-00001	5	5	5	Air	0.22	0.47	0.60	64	N				40	CA
	with grilles-between-the-glass	PEL-N-18-04646-00001					0.22	0.43	0.54	64	N				37	CA
	with integral grilles	PEL-N-18-04647-00001					0.22	0.43	0.54	64	N				37	CA

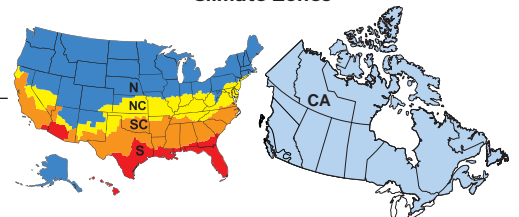
R-Value = 1/U-Factor  
 SHGC = Solar Heat Gain Coefficient  
 VLT % = Visible Light Transmission  
 CR = Condensation Resistance  
 ER = Canadian Energy Rating

(1) Glazing performance values are calculated based on NFRC 100, NFRC 200 and NFRC 500. ENERGY STAR® values are updated to 2023 (Version 7) criteria.

(2) The values shown are based on Canada's updated ENERGY STAR® 2020 initiative.

See the Product Performance section for more detailed information or visit [www.energystar.gov](http://www.energystar.gov) for Energy Star guidelines.

Climate Zones





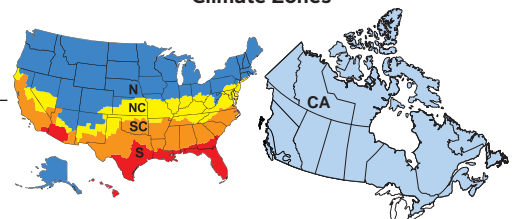
# Clad-Wood Fixed Frame Direct Set Windows

## Glazing Performance - Total Unit

Glazing Thickness	Type of Glazing	NFRC Certified Product #	Glass (mm)		Gap Fill	Performance Values <sup>1</sup>				Shaded Areas Meet ENERGY STAR® Performance Criteria in Zones Shown						
			Ext.	Int.		U-Factor	SHGC	VLT %	CR	U. S.				Canada <sup>2</sup>		
										Zone				ER	Zone	
Interior Glazed Laminated Impact-Resistant Glass										N	NC	SC	S	CA		
1"	PVB clear laminated IG	PEL-N-18-04060-00001	12	5	air	0.46	0.56	0.68	43							
	with grilles-between-the-glass	PEL-N-18-04061-00001				0.47	0.51	0.61	43							
	with integral grilles	PEL-N-18-04062-00001				0.47	0.51	0.61	43							
1"	PVB Advanced Low-E IG	PEL-N-18-04596-00001	12	5	argon	0.27	0.31	0.57	56							
	with grilles-between-the-glass	PEL-N-18-04597-00001				0.29	0.28	0.51	56							
	with integral grilles	PEL-N-18-04598-00001				0.28	0.28	0.51	56							
1"	PVB SunDefense™ Low-E IG	PEL-N-18-04608-00001	12	5	argon	0.27	0.24	0.53	57							
	with grilles-between-the-glass	PEL-N-18-04609-00001				0.28	0.22	0.48	57			SC	S			
	with integral grilles	PEL-N-18-04610-00001				0.28	0.22	0.48	57			SC	S			
1"	SGP clear laminated IG	PEL-N-18-04064-00001	12	5	air	0.46	0.57	0.69	43							
	with grilles-between-the-glass	PEL-N-18-04065-00001				0.47	0.51	0.62	43							
	with integral grilles	PEL-N-18-04066-00001				0.47	0.51	0.62	43							
1"	SGP Advanced Low-E IG	PEL-N-18-04600-00001	12	5	argon	0.27	0.31	0.58	57							
	with grilles-between-the-glass	PEL-N-18-04601-00001				0.28	0.28	0.52	57							
	with integral grilles	PEL-N-18-04602-00001				0.28	0.28	0.52	57							
1"	SGP SunDefense™ Low-E IG	PEL-N-18-04612-00001	12	5	argon	0.27	0.25	0.54	57							
	with grilles-between-the-glass	PEL-N-18-04613-00001				0.28	0.22	0.49	57			SC	S			
	with integral grilles	PEL-N-18-04614-00001				0.28	0.22	0.49	57			SC	S			
1-1/4"	SGP clear laminated IG	PEL-N-18-04068-00001	14	6	air	0.44	0.54	0.67	45							
	with grilles-between-the-glass	PEL-N-18-04069-00001				0.44	0.49	0.60	45							
	with integral grilles	PEL-N-18-04070-00001				0.44	0.49	0.60	45							
1-1/4"	SGP Advanced Low-E IG	PEL-N-18-04604-00001	14	6	argon	0.26	0.30	0.57	58							
	with grilles-between-the-glass	PEL-N-18-04605-00001				0.26	0.27	0.51	58							
	with integral grilles	PEL-N-18-04606-00001				0.27	0.27	0.51	58							
1-1/4"	SGP SunDefense Low-E IG	PEL-N-18-04616-00001	14	6	argon	0.26	0.24	0.53	58							
	with grilles-between-the-glass	PEL-N-18-04617-00001				0.26	0.22	0.47	58			SC	S			
	with integral grilles	PEL-N-18-04618-00001				0.26	0.22	0.47	58			SC	S			
Interior Glazed Laminated Impact-Resistant Glass With Tinted Glazing																
1"	Bronze PVB laminated IG	PEL-N-18-04072-00001	12	5	air	0.46	0.38	0.28	43							
1"	Gray PVB laminated IG	PEL-N-18-04084-00001	12	5	air	0.46	0.43	0.35	43							
1"	Green PVB laminated IG	PEL-N-18-04096-00001	12	5	air	0.46	0.51	0.56	43							
1"	Bronze SGP laminated IG	PEL-N-18-04076-00001	12	5	air	0.46	0.39	0.28	43							
1"	Gray SGP laminated IG	PEL-N-18-04088-00001	12	5	air	0.46	0.43	0.35	43							
1"	Green SGP laminated IG	PEL-N-18-04100-00001	12	5	air	0.46	0.51	0.56	43							
1-1/4"	Bronze SGP laminated IG	PEL-N-18-04080-00001	14	6	air	0.44	0.37	0.27	45							
1-1/4"	Gray SGP laminated IG	PEL-N-18-04092-00001	14	6	air	0.44	0.41	0.34	45							
1-1/4"	Green SGP laminated IG	PEL-N-18-04104-00001	14	6	air	0.44	0.49	0.54	45							

R-Value = 1/U-Factor  
 SHGC = Solar Heat Gain Coefficient  
 VLT % = Visible Light Transmission  
 CR = Condensation Resistance  
 ER = Canadian Energy Rating

Climate Zones



(1) Glazing performance values are calculated based on NFRC 100, NFRC 200 and NFRC 500. ENERGY STAR® values are updated to 2023 (Version 7) criteria.

(2) The values shown are based on Canada's updated ENERGY STAR® 2020 initiative.

See the Product Performance section for more detailed information or visit [www.energystar.gov](http://www.energystar.gov) for Energy Star guidelines.

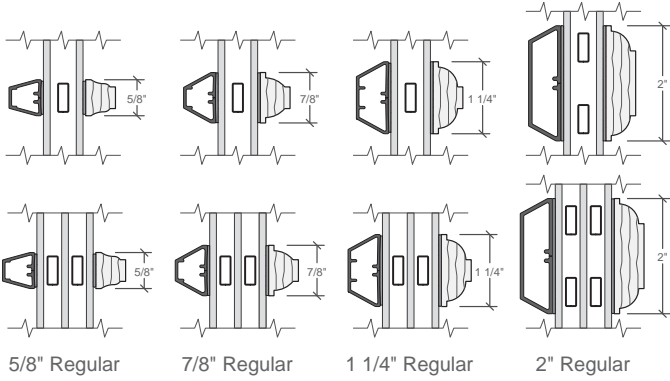


# Clad-Wood Fixed Frame Direct Set Windows

## Grille Profiles

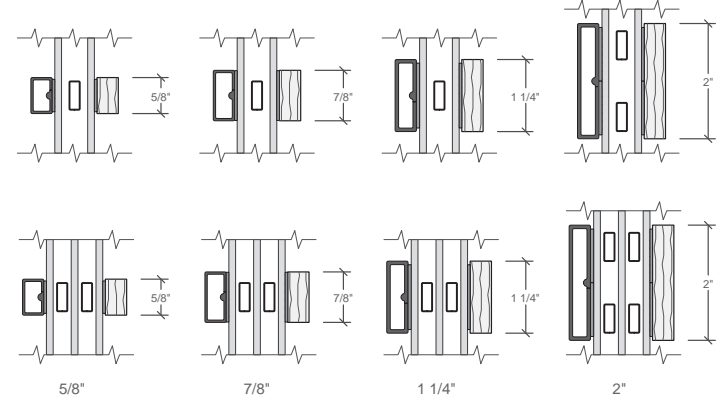
### Traditional Style Collection - Integral Light Technology<sup>®</sup>

Putty Glaze and Ogee Grilles  
Clad Exterior - Wood Interior

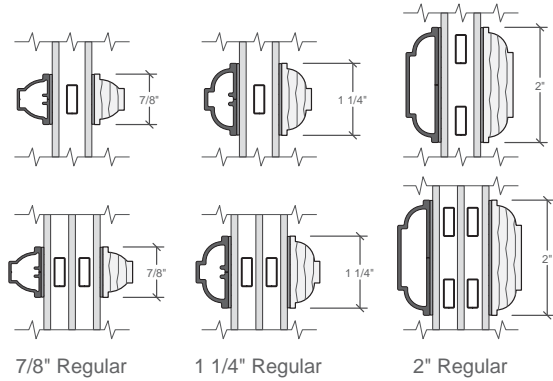


### Contemporary Style Collection - Integral Light Technology<sup>®</sup>

Square Grilles  
Clad Exterior - Wood Interior



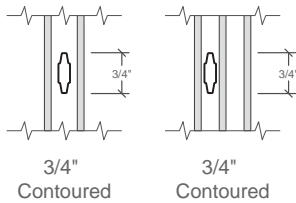
Ogee Grilles  
Clad Exterior - Wood Interior



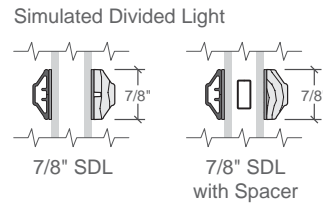
(Square ILT Grilles are available for Contemporary Style Rectangular and Angle Shapes only)

(Ogee ILT Grilles are available for Rectangle and Radius Shapes,  
Putty Glaze ILT grilles are available for rectangle only.)

Grilles-Between-the-Glass



Simulated-Divided-Light-Grilles



(1) Available in Pine, Mahogany, or Douglas Fir to match complete unit.

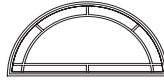
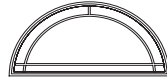
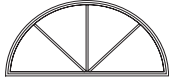


# Clad-Wood Fixed Frame Direct Set Windows

## Grille Patterns - Curved Shapes

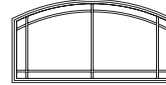
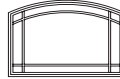
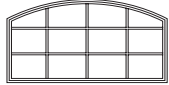
Below are examples of typical combination assemblies showing grille alignment of half circles and quarter circles over casements, hung, hinged and sliding doors. For specific information contact your local Pella sales representative.

### Typical Grille Patterns



FW ≤ 71"

FW > 71"



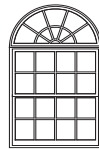
SHORT SIDE 8"

FW > 47"

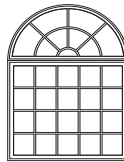
### Half and Quarter Circle



Casement



Double-Hung



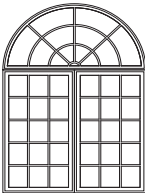
Large Fixed



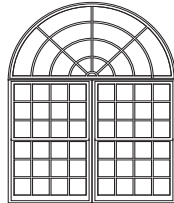
Casement



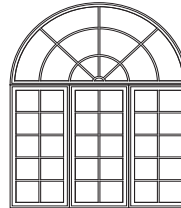
Double-Hung



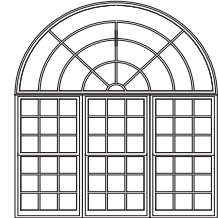
2-Wide Casement



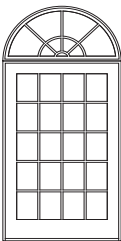
2-Wide Double-Hung



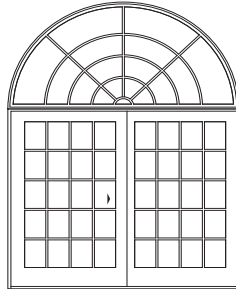
3-Wide Casement



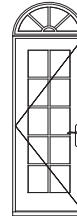
3-Wide Double-Hung



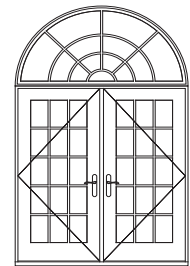
Fixed Door



Sliding Patio Door



Hinged Door



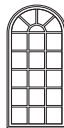
2-Panel Hinged Door

### Elliptical



Elliptical

### Springline



Springline

### Full Circle



Circle

### Ovals



4-Lite Traditional



5-Lite with Rays



9-Lite with Sunburst



17-Lite with Sunburst

Not all pattern scenarios are shown above. Actual pattern may differ depending on size, shape and grille spacing. See Pella sales representative for actual patterns.

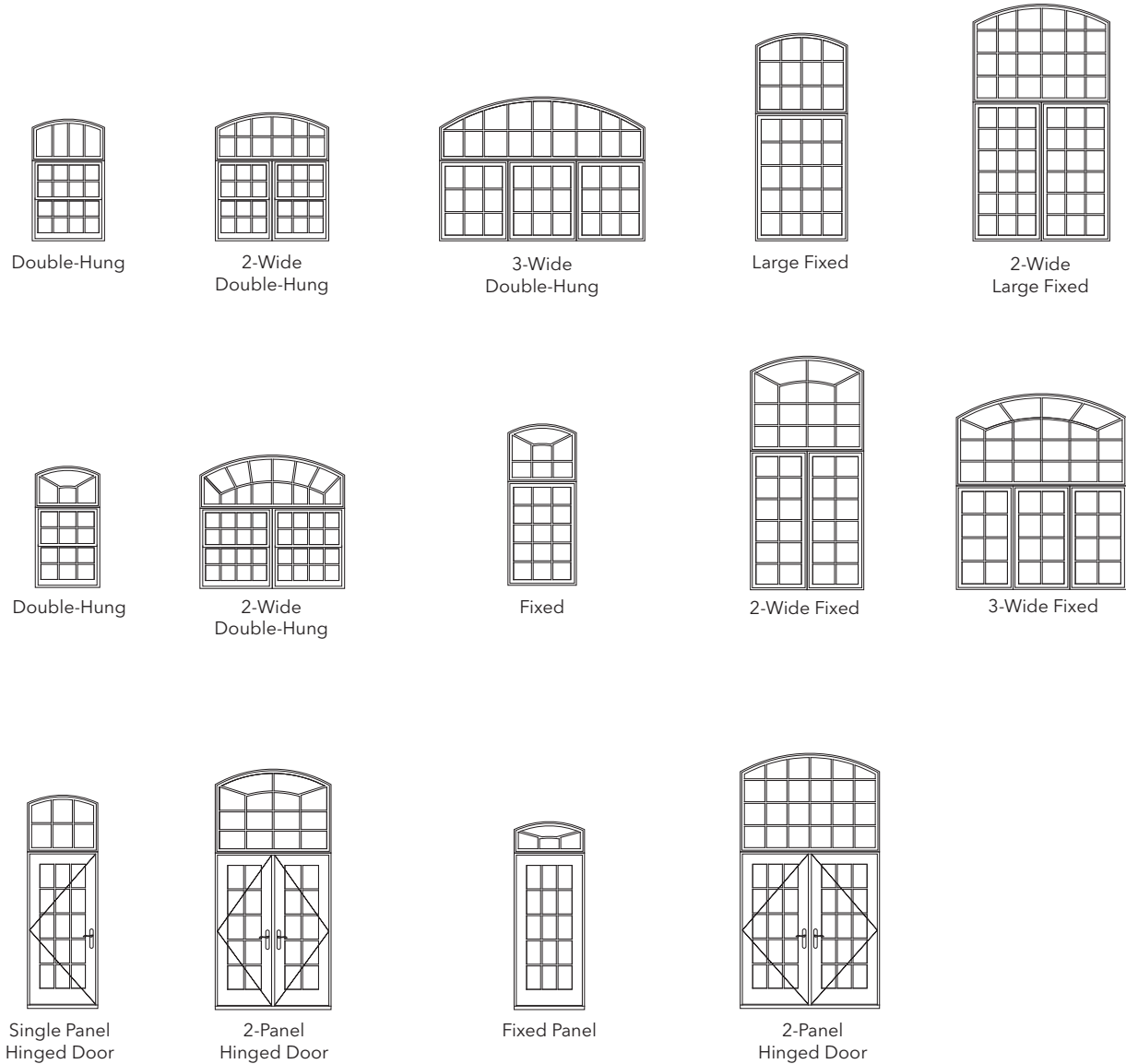


# Clad-Wood Fixed Frame Direct Set Windows

## Grille Patterns - Arch Head Curved Shapes

Below are examples of typical combination assemblies showing grille alignment of arch heads over casements, hung, and hinged doors. For specific information contact your local Pella sales representative.

### Full Arch Heads



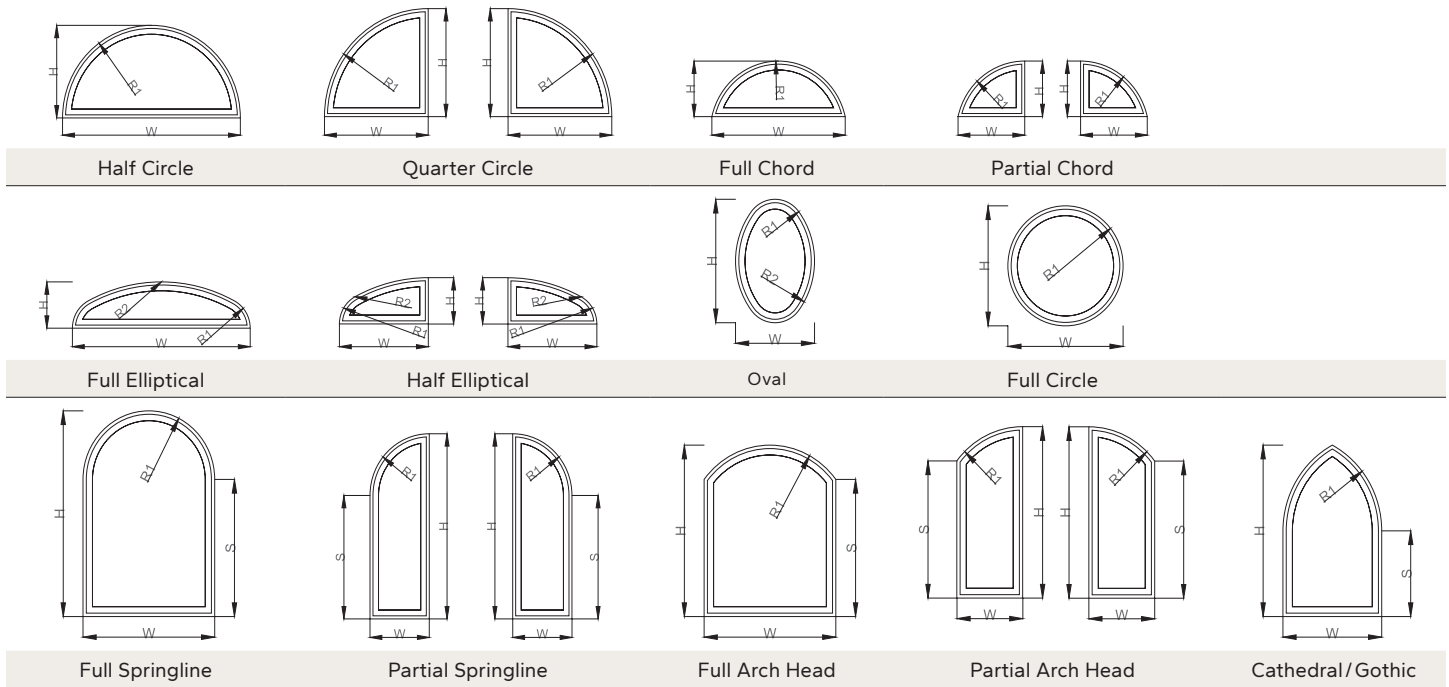
Not all pattern scenarios are shown above. Actual pattern may differ depending on size, shape and grille spacing. See Pella sales representative for actual patterns.





# Clad-Wood Fixed Frame Direct Set Windows

## Interior Glazed Curved Shape Sizes and Dimensions

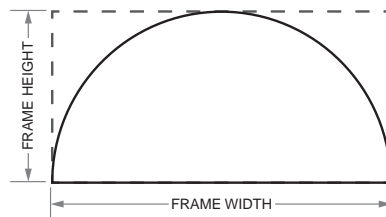


Description	Frame Radius		Width		Height				Min. Unit Frame Angle	Max. Unit Frame Angle	Max. Sq. Ft.
	Min.	Max.	Min.	Max.	Min.	Max.	Min. S	Other			
Half Circle	12"	60"	24"	120"	24"	120"	—	—	—	—	48
Quarter Circle	12"	85"	12"	85"	12"	85"	—	—	—	—	48
Full Springline	12"	54"	24"	108"	R + 4.25"	120"	4.25"	—	—	—	48
Partial Springline	12"	96"	12"	85"	FW + 4.25"	120"	4.25"	—	40°	90°	48
Full Chord	12"	500"	24"	120"	10.5"	(W÷2)-1"	—	> 0.24 W	40°	< 90°	48
Partial Chord <sub>2</sub>	12"	500"	9"	120"	10.5"	85.125"	—	> 0.48 W	40°	< 90°	48
Full Elliptical <sub>1</sub>	R1 = 12" R2 = 12"	R1 = 150" R2 = 500"	32.5"	120"	R1+1.25"	< (W÷2)	—	—	—	—	48
Partial Elliptical <sub>1</sub>	R1 = 12" R2 = 12"	R1 = 150" R2 = 500"	14"	120"	R1+1.25"	60"	—	—	40°	90°	48
Full Arch Head	12"	500"	9"	120"	9"	120"	4.25"	—	90°	160°	48
Partial Arch Head	12"	500"	9"	120"	9"	120"	4.25"	—	40°	160°	48
Gothic Springline	12"	500"	9"	108"	14"	120"	4.25"	—	40°	—	48
Full Circle <sub>3</sub>	12"	36"	24"	72"	—	—	—	—	—	—	—

Oval<sub>3</sub> Standard sizes only. 24" W x 36" H, 30" W x 48" H or 36" W x 60" H

### Miscellaneous Formulas

Glass Dimension	Formula
Visible Glass	Width = Frame - 3-1/4" Height = Frame - 3-1/4"
Actual Glass	Width = Frame - 2" Height = Frame - 2"



For all shapes, calculate the area as if it were a rectangle.

(-) = Not applicable

(1) Minor radius must begin at the baseline of the frame.

(2) Project shape to full chord, using full chord width (W), calculate minimum height restrictions using full chord parameters.

(3) Tempered glass is required for any units where glass dimensions exceed 48"

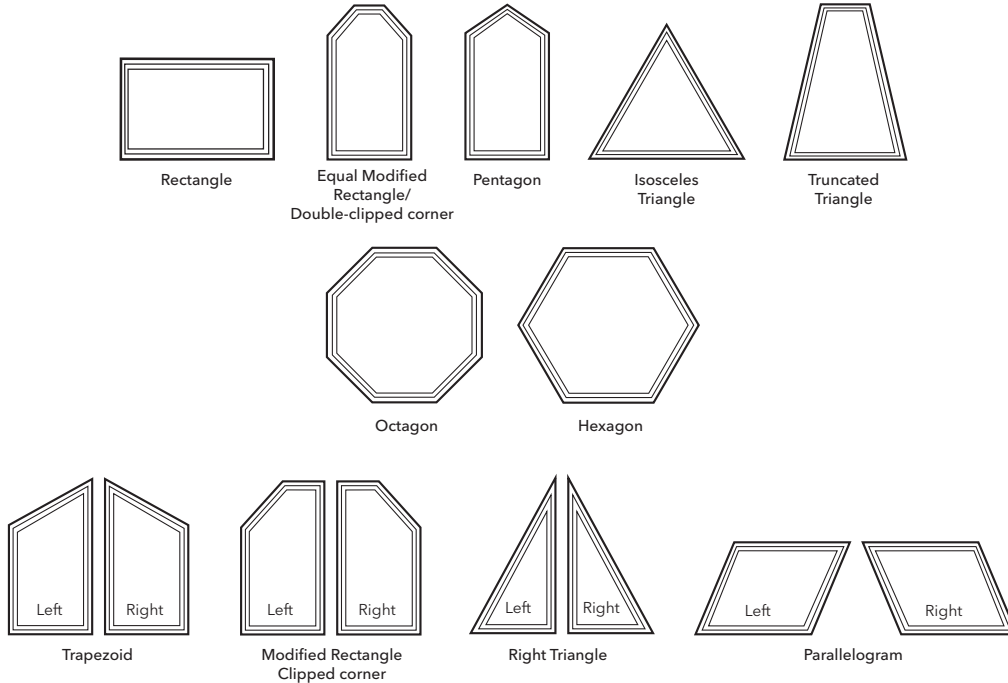
To convert areas to square meters (m<sup>2</sup>), multiply square feet by 0.0929.



# Clad-Wood Fixed Frame Direct Set Windows

## Interior Glazed Angled Shape Sizes and Dimensions

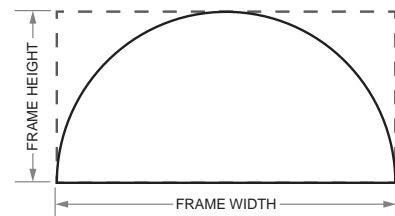
Pella angled and rectangular fixed frame direct set windows are available in custom shapes shown below. These windows may be installed in any orientation. For specifications, size limitations, and details on these units, contact your local Pella sales representative.



Glazing Type	Frame Dimension		Panel Dimension	
	Minimum Size	Maximum Size <sup>1</sup>	Minimum Size	Maximum Size
Glass	8" x 8" (203 x 203)	12' 0" <sub>2</sub> or 76 ft <sup>2</sup> (3 658) or (7.06 m <sup>2</sup> )	—	—
Clad Panel (Available In Rectangular Units Only)	8" x 8" (203 x 203)	4' 2" x 8' 2" (1 270 x 2 489)	6" x 6" (152 x 152)	48" x 96" (1 219 x 2 438)

### Miscellaneous Formulas for Rectangular Units

Glass Dimension	Formula
Visible Glass	Visible Glass Width = Frame Width – 3-1/4" Visible Glass Height = Frame Height – 3-1/4"
Actual Glass	Actual Glass Width = Frame Width – 2" Actual Glass Height = Frame Height – 2"



For all shapes, calculate the area as if it were a rectangle.

(-) = Not applicable

- Keep frame dimension to the nearest 1/8".
- See Performance Grade chart for size limitations.
- Glass width to height ratio maximums: annealed glass 1 to 5, tempered glass 1 to 10.

(1) For all shapes, calculate the area of the unit as if it were rectangular.

(2) Maximum dimension in one direction with frame area as specified (subject to glass availability).

Corner angles for all shapes are minimum 20° and maximum 160°.

144" slope for triangles and parallelograms.

Not all sizes are Hallmark Certified.



# Clad-Wood Fixed Frame Direct Set Windows

## Exterior Glazed Rectangular Shape Sizes and Dimensions

Consult with your local Pella sales representative for current availability, limitations may apply.

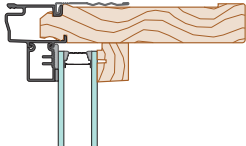
Exterior glazed windows are available as rectangles only.

Glazing Type	Frame Dimension		Panel Dimension	
	Minimum Size	Maximum Size <sup>1</sup>	Minimum Size	Maximum Size
Glass	8" x 8" (203 x 203)	8' 0" <sup>1</sup> or 38.0 ft <sup>2</sup> (2 438) (3.53 m <sup>2</sup> )	—	—
Clad Panel	8" x 8" (203 x 203)	4' 2-3/8" x 8' 2-3/8" (1 280 x 2 499)	5-5/8" x 5-5/8" (143 x 143)	48" x 96" (1 219 x 2 438)

### Miscellaneous Formulas

Glass Dimension	Formula
Visible Glass	Visible Glass Width = Frame Width – 3-1/4" Visible Glass Height = Frame Height – 3-1/4"
Actual Glass	Actual Glass Width = Frame Width – 2" Actual Glass Height = Frame Height – 2"

Designed for applications where exterior reglazing is necessary due to inaccessibility from the interior. Is not intended for initial field glazing.

Glazing Options	Standard	Special	Custom <sup>2</sup>
	Clear or Advanced Low-E Insulated Glass with Argon or Natural Sun	Bronze, Gray, Green, Obscure Advanced Comfort, Sun Defense	Spandrel

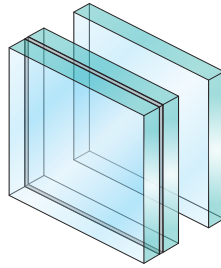
(–) = Not applicable

(1) In one direction with frame area as specified (subject to glass availability).

(2) Consult your Pella representative for parameters and availability of custom glazings.



### Double-Pane Laminated Insulating Glass



	SGP IG	PVB IG
<b>Maximum Performance Grade <sup>1</sup></b>		
Max sizes: 55x55, 39x79, 79x39	—	60
Max sizes: 35x73, 73x35	90	—
Larger Sizes	60	—
<b>Certification <sup>1</sup></b>		
Hallmark	411-H-670	411-H-670
FPAS <sub>2</sub>	FL20349	FL20349
TDI <sub>2</sub>	WIN-478	WIN-478

The use of fixed frame direct set windows is limited by product performance rating, design pressure load chart, installation method and glass thickness or type. Always consult local building code and Florida FPAS for performance and installation requirements.

(—) Not Applicable

(1) Maximum design pressure limited by unit testing or ASTM E 1300-04(H) and ASTM E 1300-04(D)

All interior glazed units with Impact glazing are certified for wind zone 4, large missile rating D.

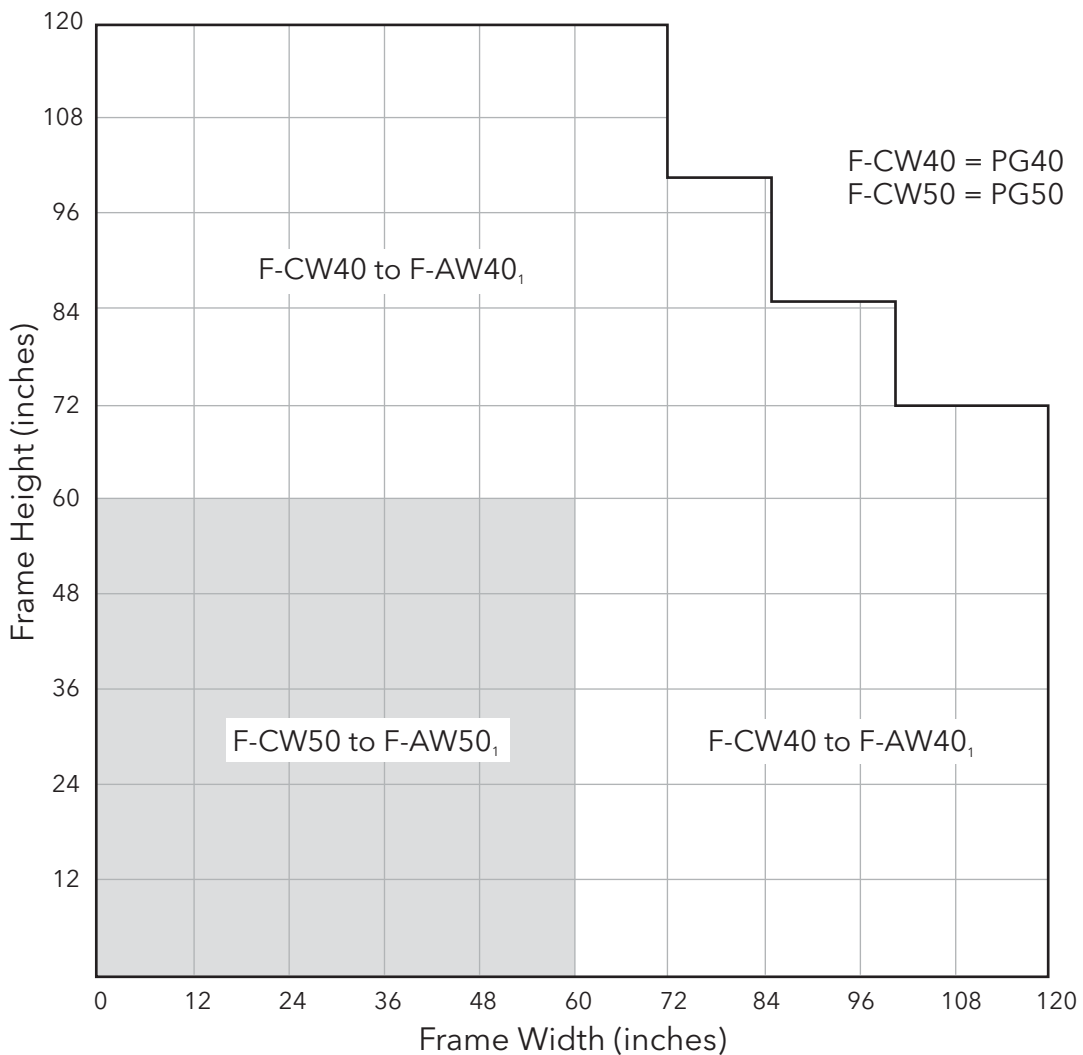
(2) Some size exclusions apply.



# Clad-Wood Fixed Frame Direct Set Windows

## Interior Glazed Standard Fin-Installed Performance

- The use of fixed frame direct set windows is limited by product performance rating, design pressure load chart, installation method, mullion strength and glass thickness or type. See mullion limitation and glass charts in the Combinations section at PellaADM.com.
- Fixed Frames are available up to a maximum frame area of 76 ft<sup>2</sup> (7.06 m<sup>2</sup>). Angled and Curved frames are measured as a rectangle.
- **IMPORTANT:** Glass must meet requirements of the glass charts and comply with the load chart. This chart below shows the maximum performance class and grade of the frame only when glazed with the appropriate glass thickness.



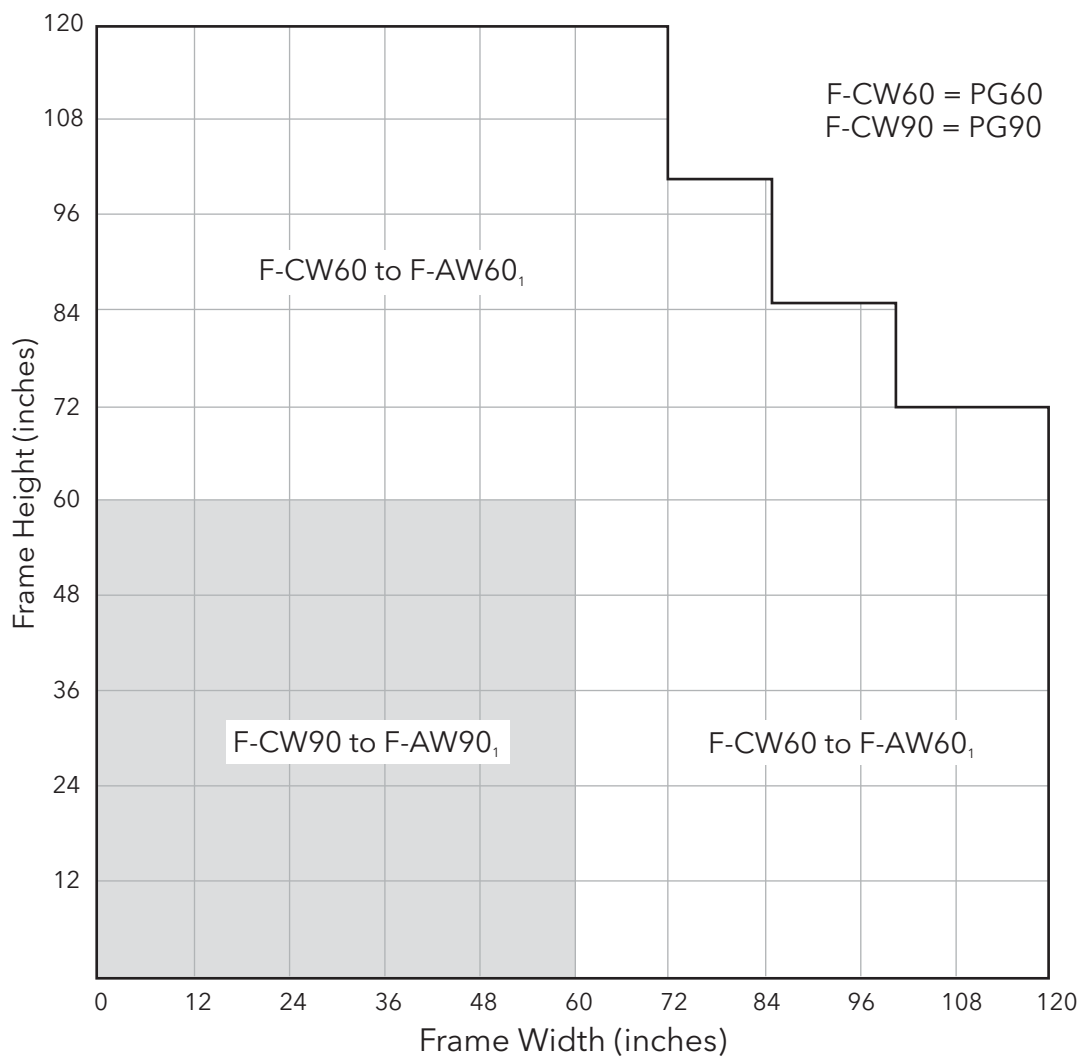
(1) AAMA/WDMA F-AW rating can be obtained with the EnduraClad Plus protective finish with 70% fluoropolymer resin in a multi-step finish system.



## Clad-Wood Fixed Frame Direct Set Windows

### Interior Glazed Standard Clip or Screw-Through Frame Install Advanced Performance

- The use of fixed frame direct set windows is limited by product performance rating, design pressure load chart, installation method, mullion strength and glass thickness or type. See mullion limitation and glass charts in the Combinations section at PellaADM.com.
- Fixed Frames are available up to a maximum frame area of 76 ft<sup>2</sup> (7.06 m<sup>2</sup>). Angled and Curved frames are measured as a rectangle.
- **IMPORTANT:** Glass must meet requirements of the glass charts and comply with the load chart. This chart below shows the maximum performance class and grade of the frame only when glazed with the appropriate glass thickness.



(1) AAMA/WDMA F-AW rating can be obtained with the EnduraClad Plus protective finish with 70% fluoropolymer resin in a multi-step finish. AW rating is not applicable to impact product.



## Interior Glazed Detailed Product Description

### Frame

- Select softwood, immersion treated with Pella's EnduraGuard® wood protection formula in accordance with WDMA I.S.-4. The EnduraGuard formula includes three active ingredients for protection against the effects of moisture, decay, stains from mold and mildew. Plus, an additional ingredient adds protection against termite damage.
- Interior exposed surfaces are [clear pine] [mahogany] [douglas fir].
- Exterior surfaces are clad with extruded aluminum.
- Components are assembled with screws, staples, and concealed corner locks.
- Curved glass stops are segmented.
- Curved head assembly shall be mitered at end where joined to non- curved frame members, screwed and sealed.
- Curved head assembly consists of solid wood core blocks bonded to stabilized wood fiber with water-resistant glue. Two sheets are laminated with veneers at interior.
- Overall frame depth is 5" (127mm) for a wall depth of 3-11/16" (94mm).
- Optional factory-applied jamb extensions available.
- Optional factory-applied EnduraClad® exterior trim.
- Optional factory-installed Pella Steady Set Installation System (rectangle only).

### Glazing System 1

- Quality float glass complying with ASTM C 1036.
- Custom and high altitude glazing available.
- Urethane-glazed [13/16"] [1"] dual-seal insulating glass [[annealed] [tempered]] [[clear] [Advanced] [SunDefense™] [SunDefense+] [AdvancedComfort] [NaturalSun] [NaturalSun+] Low-E [with argon]] [[bronze] [gray] [green] [obscure] Advanced Low-E with argon].  
– or –
- Urethane-glazed [1-1/8"] [1-1/4"] [1-3/8"] triple-seal insulating glass [[annealed] [tempered]] [[Advanced] [SunDefense™] [NaturalSun] Low-E [with Argon]].  
– or –
- Impact-Resistant
  - Urethane-glazed 1" dual-seal impact-resistant insulating glass 1 [1" [SGP] [PVB]] [1-1/4" SGP]. [[tempered] [annealed]] Laminated exterior light is [[Advanced Low-E with Argon] [SunDefense Low-E] [clear] [bronze] [gray] [green]]. Clear tempered interior light.

### Exterior

- Extruded aluminum clad exteriors shall be finished with EnduraClad® protective finish, in a multi-step, baked-on finish.
  - Color is [standard] [feature] [custom] 2  
– or –
- Extruded aluminum clad exteriors shall be finished with EnduraClad Plus protective finish with 70% fluoropolymer resin in a multi-step, baked-on finish.
  - Color is [standard] [feature] [custom] 2

### Interior

- [Unfinished, ready for site finishing] [factory primed with one coat acrylic latex] [factory prefinished [paint] [stain] 2].

### Optional Products

#### Grilles 5

- Integral Light Technology® grilles – Traditional Style Collection
  - Interior grilles are [5/8" putty profile] [7/8" [ogee] [putty] profile] [1-1/4" [ogee] [putty] profile] [2" [ogee] [putty] profile (traditional pattern only)] that are solid [pine] [mahogany] [douglas fir]. Interior surfaces are [unfinished, ready for site finishing] [factory primed] [pine: factory prefinished [paint] 2] [stain] 2 to match interior finish]. Curved grilles may have visible finger joints.
  - Exterior grilles are [5/8" putty profile] [7/8" [ogee] [putty] profile] [1-1/4" [ogee] [putty] profile] [2" [ogee] [putty] profile (traditional pattern only)] that are extruded aluminum, color matched to exterior cladding.
  - Insulating glass contains non-glare spacer between the panes of glass.
  - Grilles are adhered to both sides of the insulating glass with VHB acrylic adhesive tape and aligned with the non-glare spacer.
  - Grille pattern is [Traditional] [Prairie] [Top Row] [Cross] [Sunburst] [Starburst].  
– or –
- Integral Light Technology® grilles – Contemporary Style Collection (rectangular and angled shapes only)
  - Interior grilles are [5/8"] [7/8"] [1-1/4"] [2"] square profile that are solid [pine] [mahogany] [douglas fir]. Interior surfaces are [unfinished, ready for site finishing] [factory primed] [pine: factory prefinished [paint] [stain] 2 to match interior finish].
  - Exterior grilles are [5/8"] [7/8"] [1-1/4"] [2"] square profile that are extruded aluminum, color matched to exterior cladding.
  - Insulating glass contains non-glare spacer between the panes of glass.
  - Grilles are adhered to both sides of the insulating glass with VHB acrylic adhesive tape and aligned with the non-glare spacer.
  - Grille pattern is [Traditional] [Prairie] [Top Row] [Cross].  
– or –
- Simulated-Divided-Light grilles [with optional spacer]
  - Interior grilles are 7/8" regular profile that are solid pine. Curved grilles may have visible finger joints. Interior surfaces are [unfinished, ready for site finishing] [factory prefinished [paint] [stain] 2 to match interior finish].
  - Exterior grilles are 7/8" regular profile extruded aluminum, color matched to exterior cladding.
  - Grilles permanently bonded to the interior and exterior of glass with VHB acrylic adhesive tape and are aligned with the optional spacer between the panes of insulating glass.
  - Grille Pattern is [Traditional] [Prairie] [Top Row] [Cross] [Sunburst] [Starburst]
  - Available only on units glazed with Low-E insulated glass with Argon.  
– or –
- Grilles-Between-the-Glass 3
  - Insulating glass contains 3/4" contoured aluminum grilles permanently installed between two panes of glass.
  - Interior color is [White] [Black] [Tan 4] [Brown 4] [Putty 4] [Ivory] [Brickstone] [Harvest] [Cordovan].
  - Exterior color 6 is [standard] [feature] 2.
  - Grille pattern is [Traditional] [Prairie] [Cross] [Top Row] [Sunburst].

(1) Insulating glass with Argon is Low-E coated (except high altitude). All other insulating glass (including high altitude Low-E) is Air-filled.

(2) Contact your local Pella sales representative for current color options.

(3) Available in clear or Low-E insulating glass with Argon, and obscure insulated glass.

(4) Tan, Brown and Putty GBG colors are available in single-tone only (Brown/Brown, Tan/Tan or Putty/Putty), other interior/exterior color restrictions may apply.

(5) Certain grille types and patterns may have restrictions depending on unit size and shape, contact your local Pella sales representative for details.

(6) Appearance of exterior grille color will vary depending on Low-E coating on glass.



# Clad-Wood Fixed Frame Direct Set Windows

## Exterior Glazed Detailed Product Description

Consult with your local Pella sales representative for current availability, limitations may apply.

### Frame

- Select softwood, immersion treated with Pella's EnduraGuard® wood protection formula in accordance with WDMA I.S.-4. The EnduraGuard formula includes three active ingredients for protection against the effects of moisture, decay, stains from mold and mildew. Plus, an additional ingredient adds protection against termite damage.
- Interior exposed surfaces are [clear pine] [mahogany] [douglas fir].
- Exterior surfaces are clad with aluminum.
- Components are assembled with screws, staples, and concealed corner locks.
- Overall frame depth is 5" (127mm) for a wall depth of 3-11/16" (94mm).
- Optional factory-applied jamb extensions available.

### Glazing System<sup>1</sup>

- Quality float glass complying with ASTM C 1036.
- Custom and high altitude glazing available.
- Urethane-glazed clear single-light with removable aluminum stops.
  - or –
- Urethane-glazed dual-seal insulating glass [[annealed] [tempered]] [[[clear] [[Advanced] [SunDefense™] [AdvancedComfort] [NaturalSun] Low-E [with Argon]]] [[bronze] [gray] [green] Advanced Low-E with Argon] with removable aluminum stops.

### Exterior

- Aluminum clad exteriors shall be finished with EnduraClad® protective finish, in a multi-step, baked-on finish.
  - Color is [standard] [feature] [custom]<sup>2</sup>.
  - or –
- Aluminum clad exteriors shall be finished with EnduraClad Plus protective finish with 70% fluoropolymer resin in a multi-step, baked-on finish.
  - Color is [standard] [feature] [custom]<sup>2</sup>.

### Interior

- [Unfinished, ready for site finishing] [factory primed with one coat acrylic latex] [factory prefinished [paint] [stain]<sup>2</sup>].

### Optional Products

#### Grilles

- Grilles-Between-the-Glass
  - Insulating glass contains 3/4" contoured aluminum grilles permanently installed between two panes of glass.
  - Patterns are [Traditional] [Prairie] [Cross] [Top Row] [Custom – Equally Divided].
  - Interior color is [White] [Black] [Tan<sub>3</sub>] [Brown<sub>3</sub>] [Putty<sub>3</sub>] [Ivory] [Brickstone] [Harvest] [Cordovan].
  - Exterior color<sub>4</sub> is [standard<sub>2</sub>].

(1) Insulating glass with Argon is Low-E coated (except high altitude). All other insulating glass (including high altitude Low-E) is Air-filled.

(2) Contact your local Pella sales representative for current designs and color options.

(3) Tan, Brown and Putty GBG colors are available in single-tone only (Brown/Brown, Tan/Tan or Putty/Putty) (Putty mono), other interior/exterior color restrictions may apply.

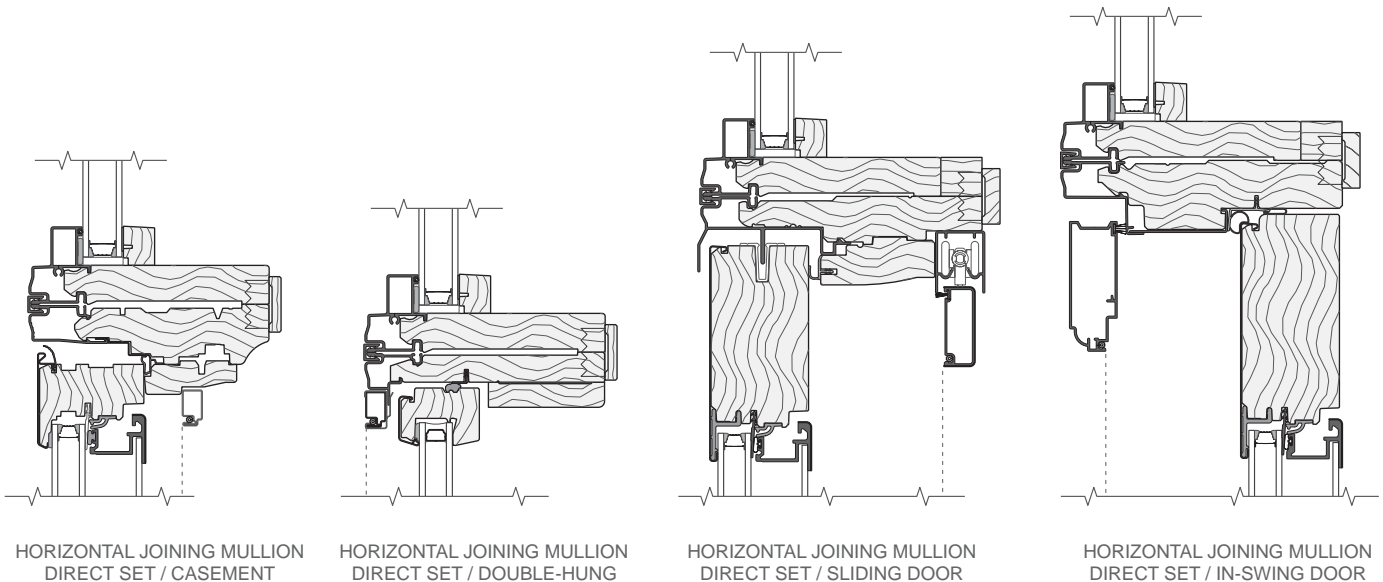
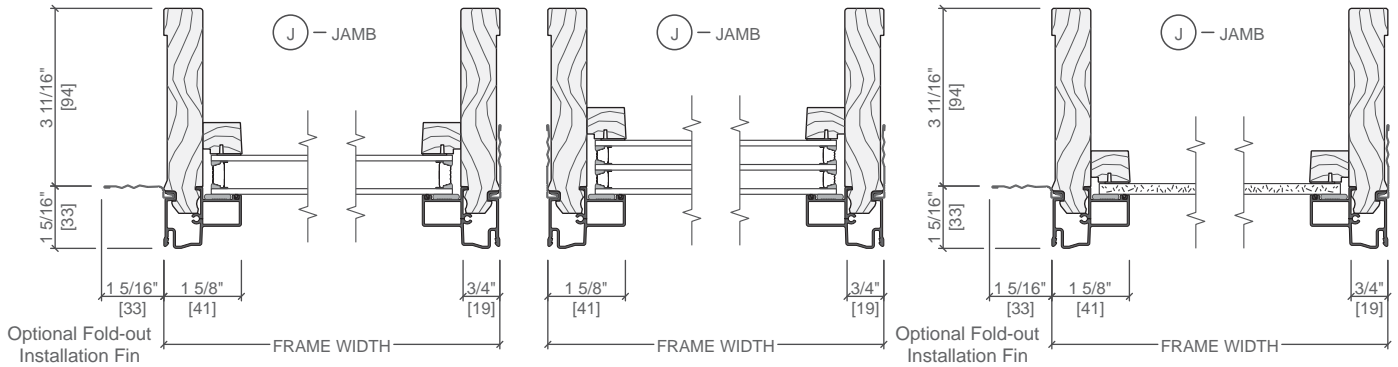
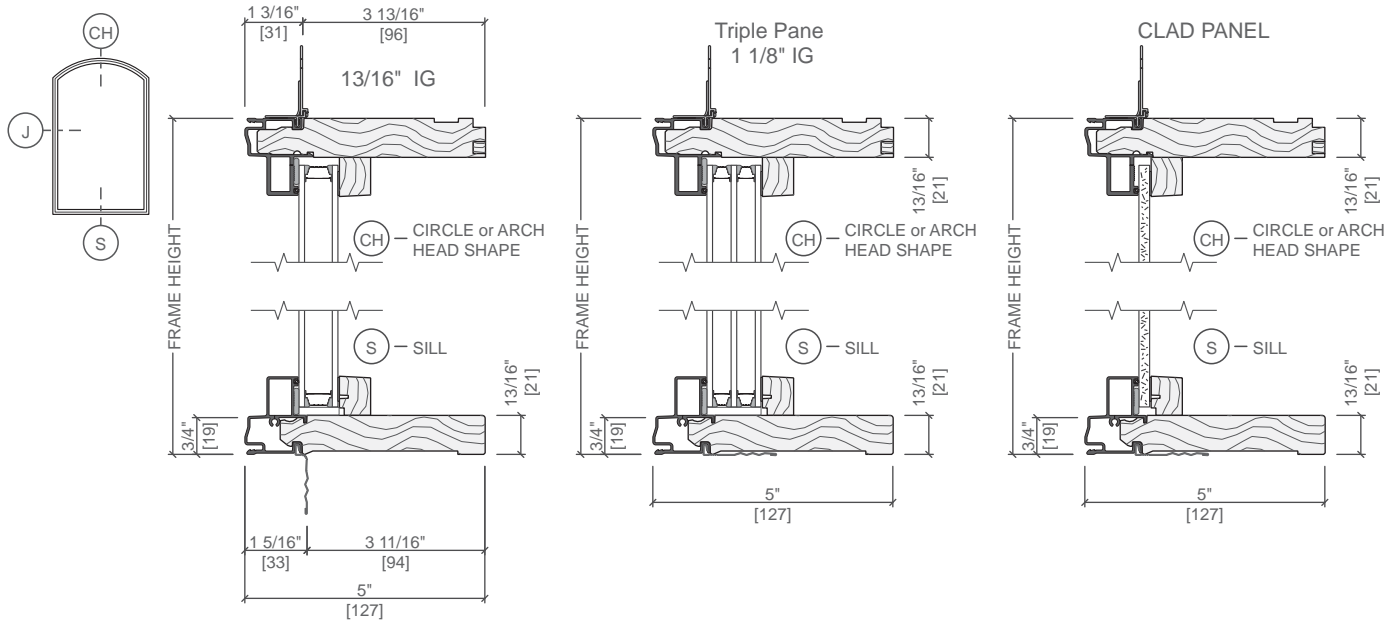
(4) Appearance of exterior grille color will vary depending on Low-E coating on glass.





# Clad-Wood Fixed Frame Direct Set Windows

## Unit Sections - Interior Glazed Curved Shapes



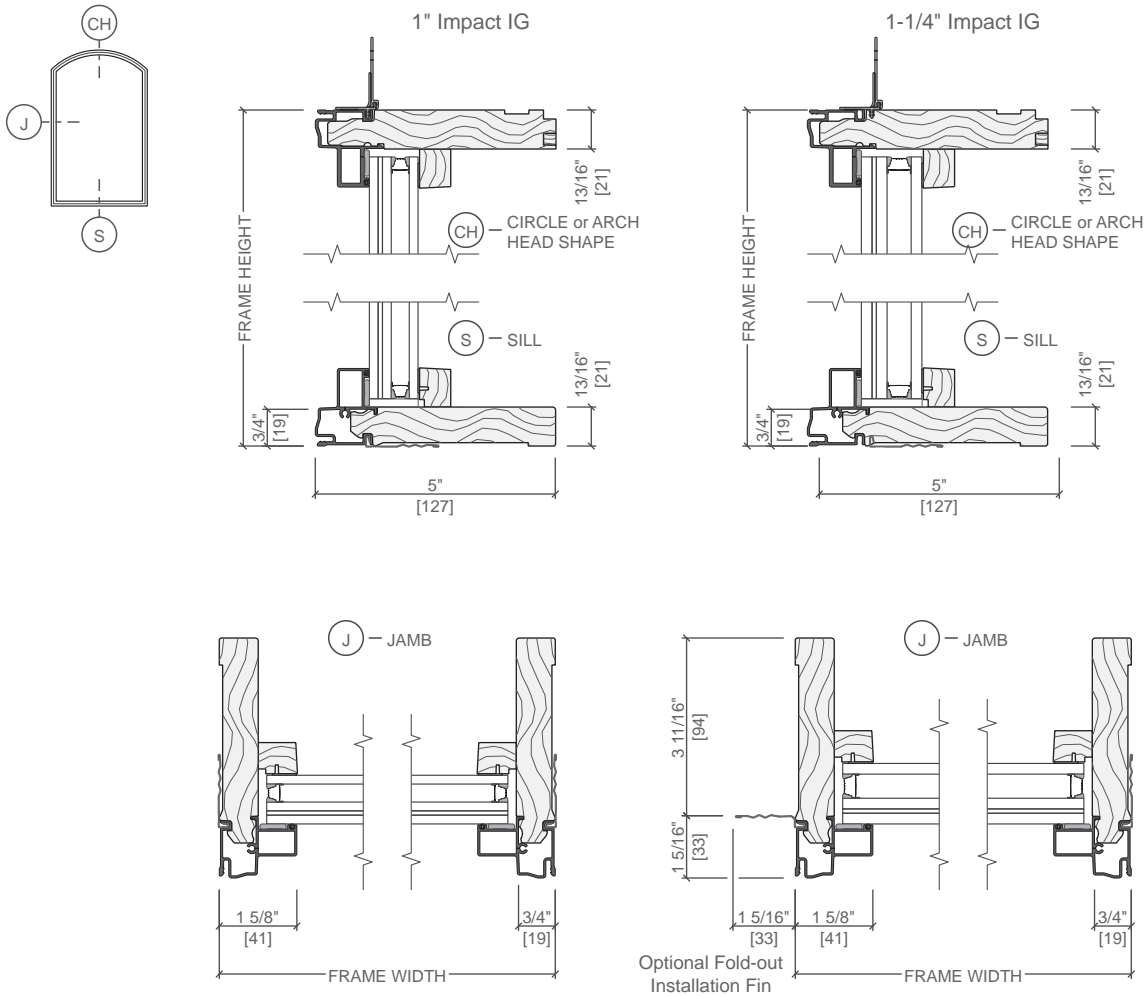
Scale 3" = 1' 0"

All dimensions are approximate.



# Clad-Wood Fixed Frame Direct Set Windows

## Unit Sections - Interior Glazed Curved Shapes w/Impact-Resistant Glass



Scale 3" = 1' 0"

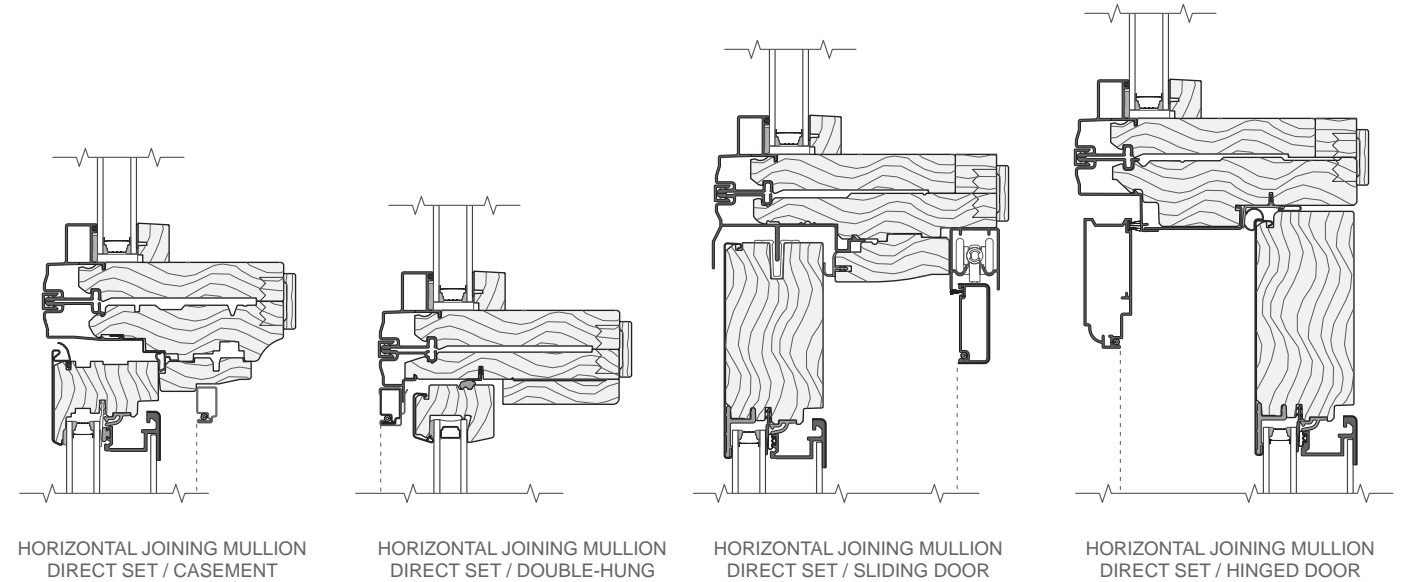
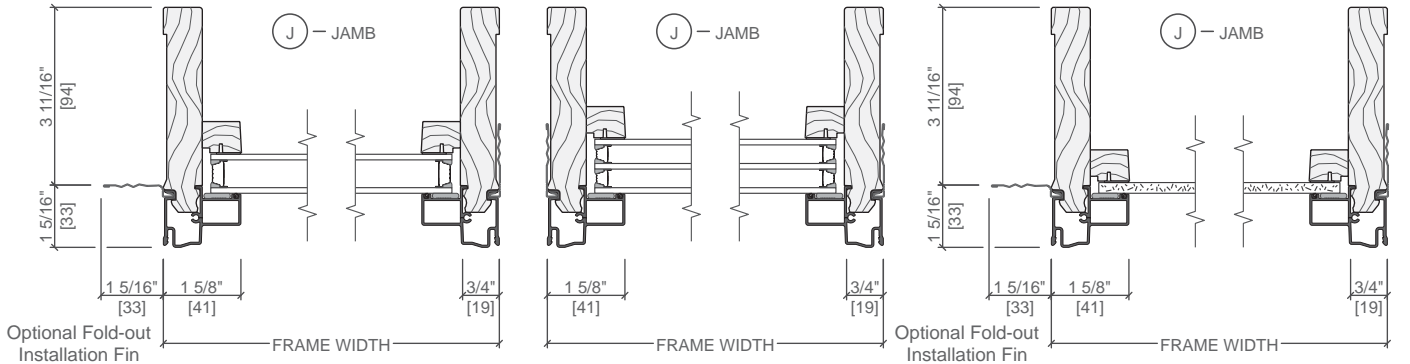
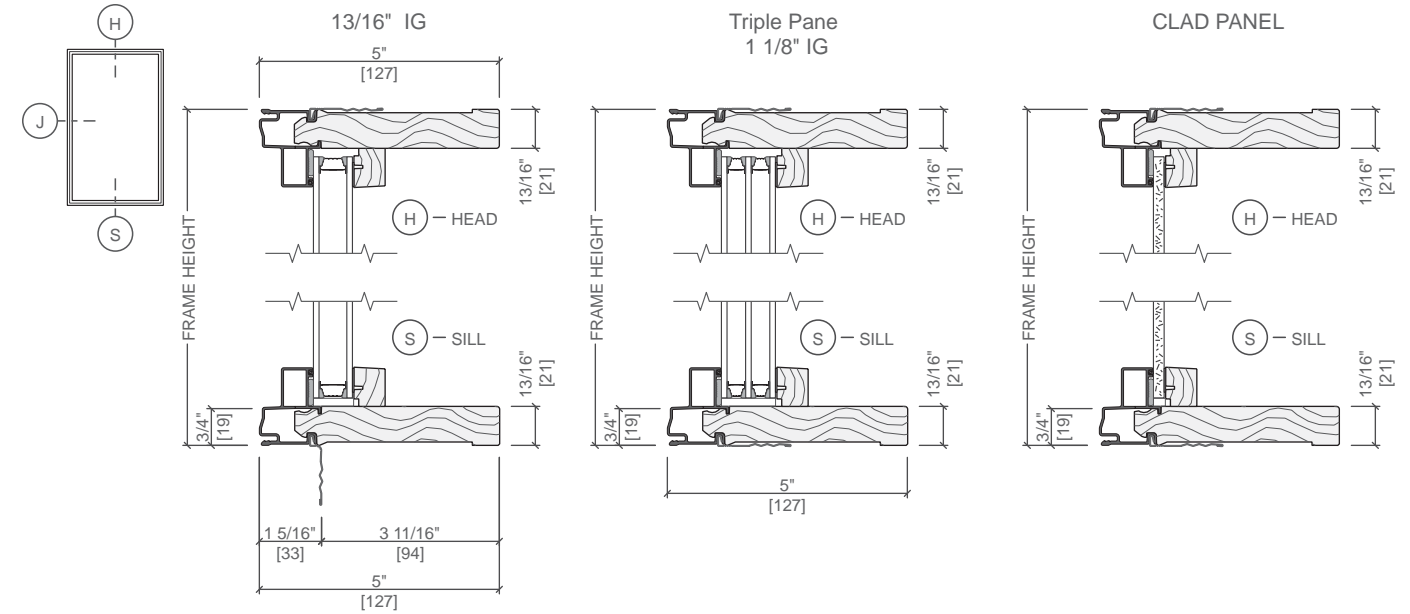
All dimensions are approximate.

Rev. 08/30/21



# Clad-Wood Fixed Frame Direct Set Windows

## Unit Sections - Interior Glazed Rectangular and Angled Shapes



Scale 3" = 1' 0"

All dimensions are approximate.

See [www.PellaADM.com](http://www.PellaADM.com) for mullion limitations and reinforcing requirements.

Rev. 08/30/21

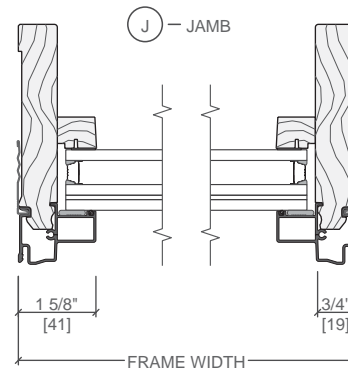
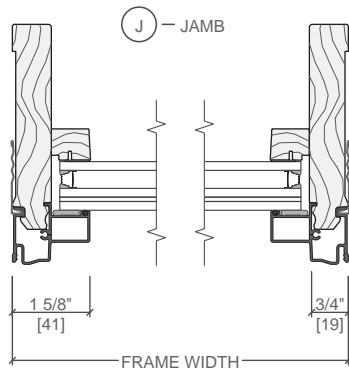
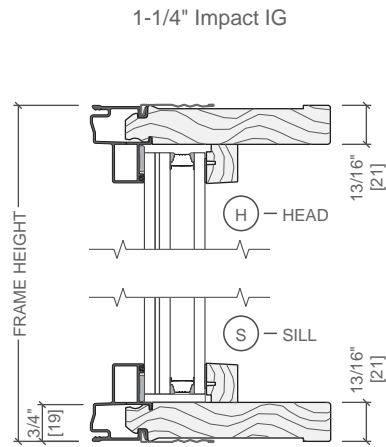
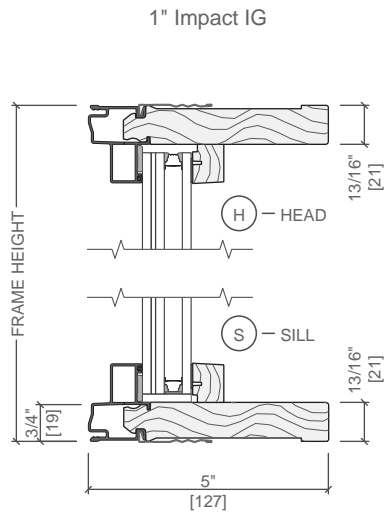
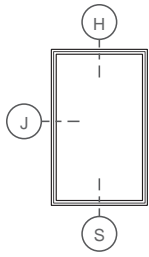
Pella 2025 Architectural Design Manual | Division 08 - Openings | Windows and Doors | [www.Pella.com](http://www.Pella.com)

W-FW-27



# Clad-Wood Fixed Frame Direct Set Windows

## Unit Sections - Interior Glazed Rectangular and Angled Shapes w/Impact-Resistant Glass



Scale 3" = 1' 0"

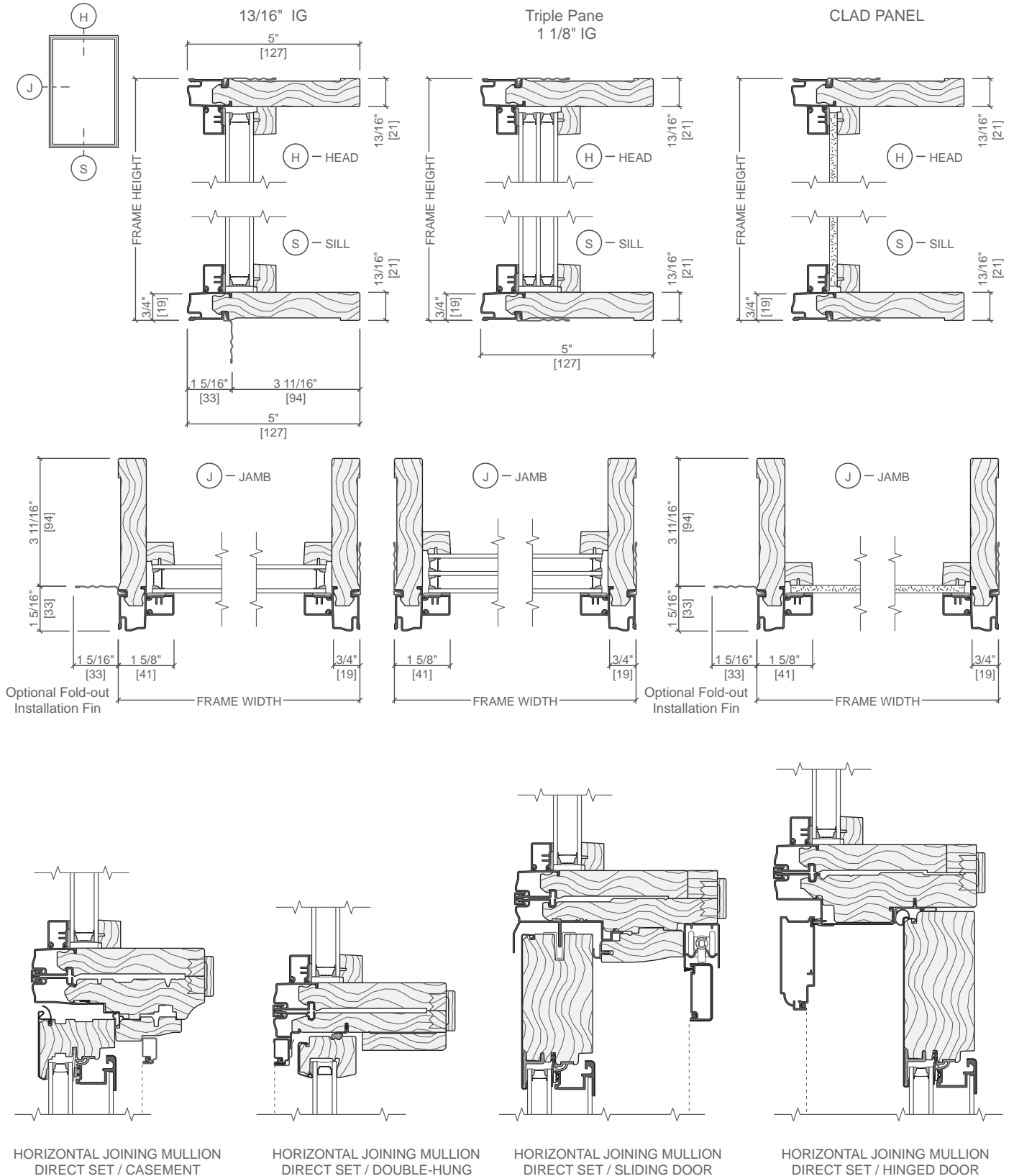
All dimensions are approximate.



# Clad-Wood Fixed Frame Direct Set Windows

## Unit Sections - Exterior Glazed Rectangular

Consult with your local Pella sales representative for current availability, limitations may apply.



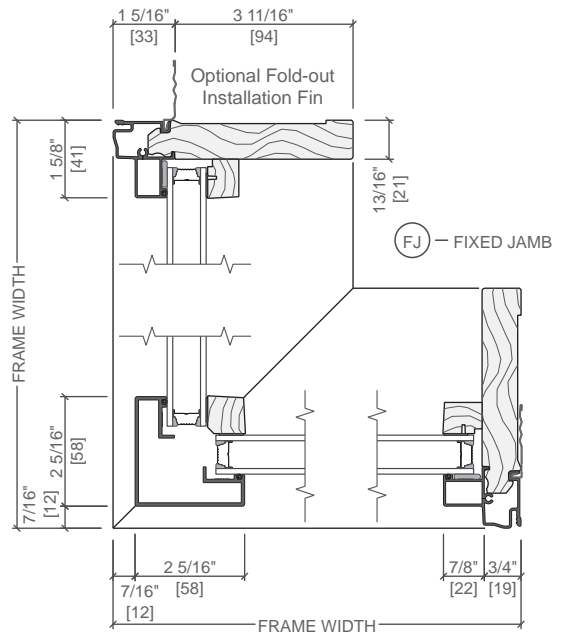
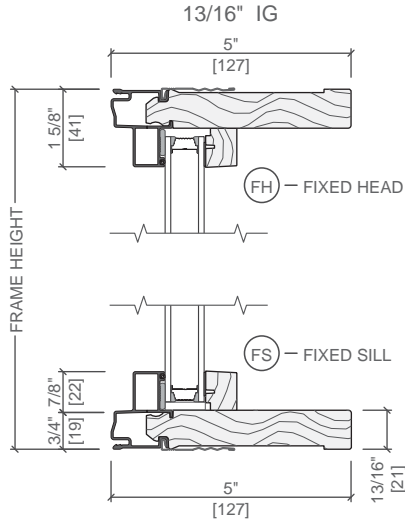
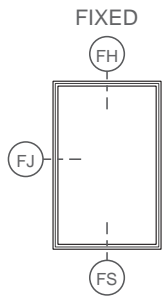
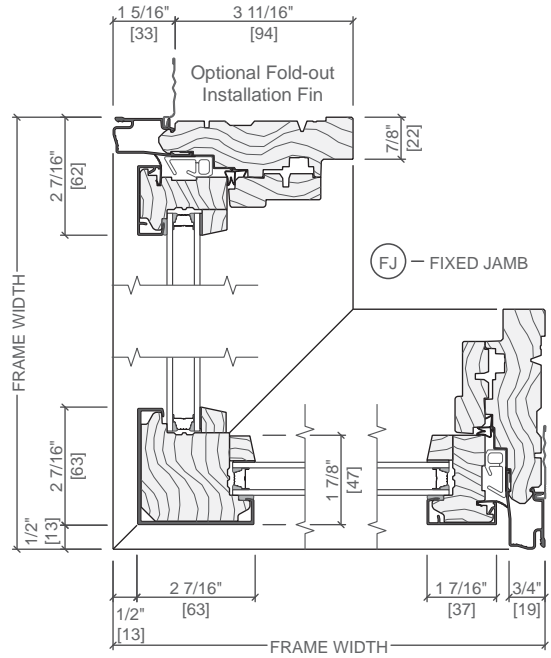
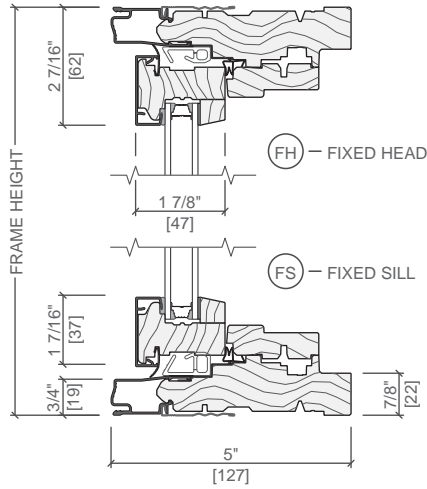
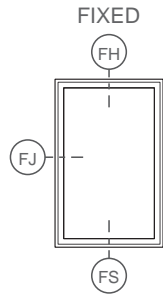
Scale 3" = 1' 0"

All dimensions are approximate.



# Clad-Wood Fixed Frame Direct Set Windows

## Unit Sections - Mitered Corner



Reserve Contemporary fixed casement mitered corner shown for comparison purposes. See Casement section or contact your local Pella sales representative for product details

Scale 3" = 1' 0"

All dimensions are approximate.