

FIXED FRAME DIRECT SET

UNIT SECTIONS

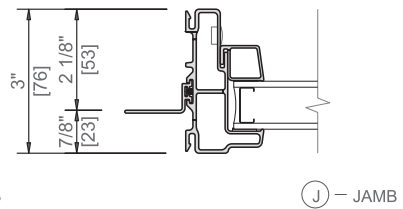
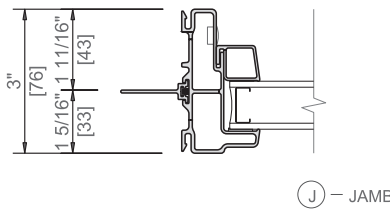
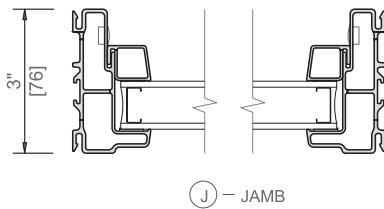
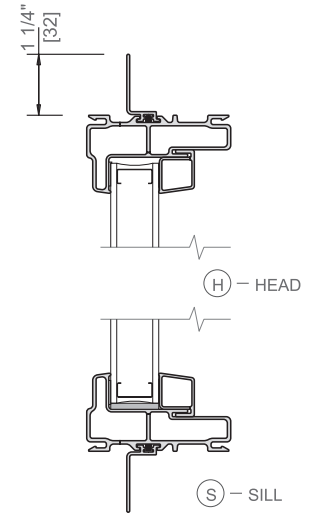
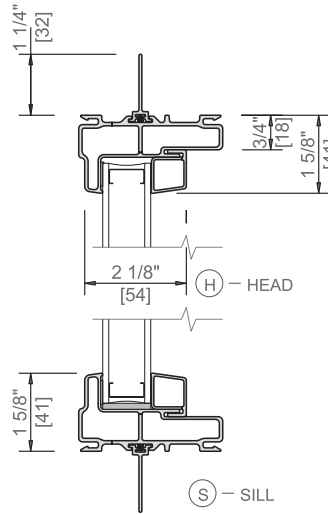
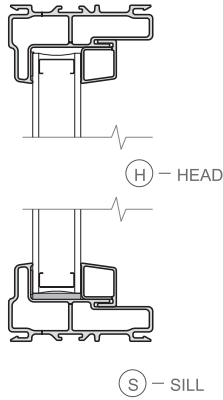
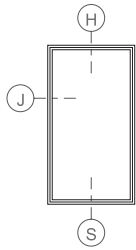
Block Frame



NO FIN

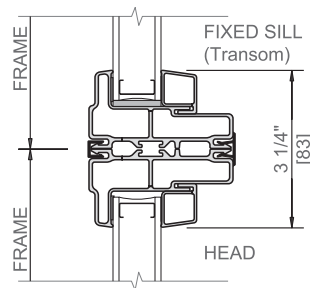
WITH STANDARD FIN

WITH OFFSET FIN



TYPICAL JOINING MULLIONS

COMBINATION



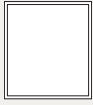
JOINING MULLION WITH TAPE
(Horizontal or Vertical, Horizontal Shown)

Scale 3" = 1' 0"

All dimensions are approximate.

Factory-assembled integral mullions have a 3" overall frame width. Combination joining mullions are 3-1/4" frame width.

See the Installation and Performance section at PellaADM.com for mullion applications and structural limitations.

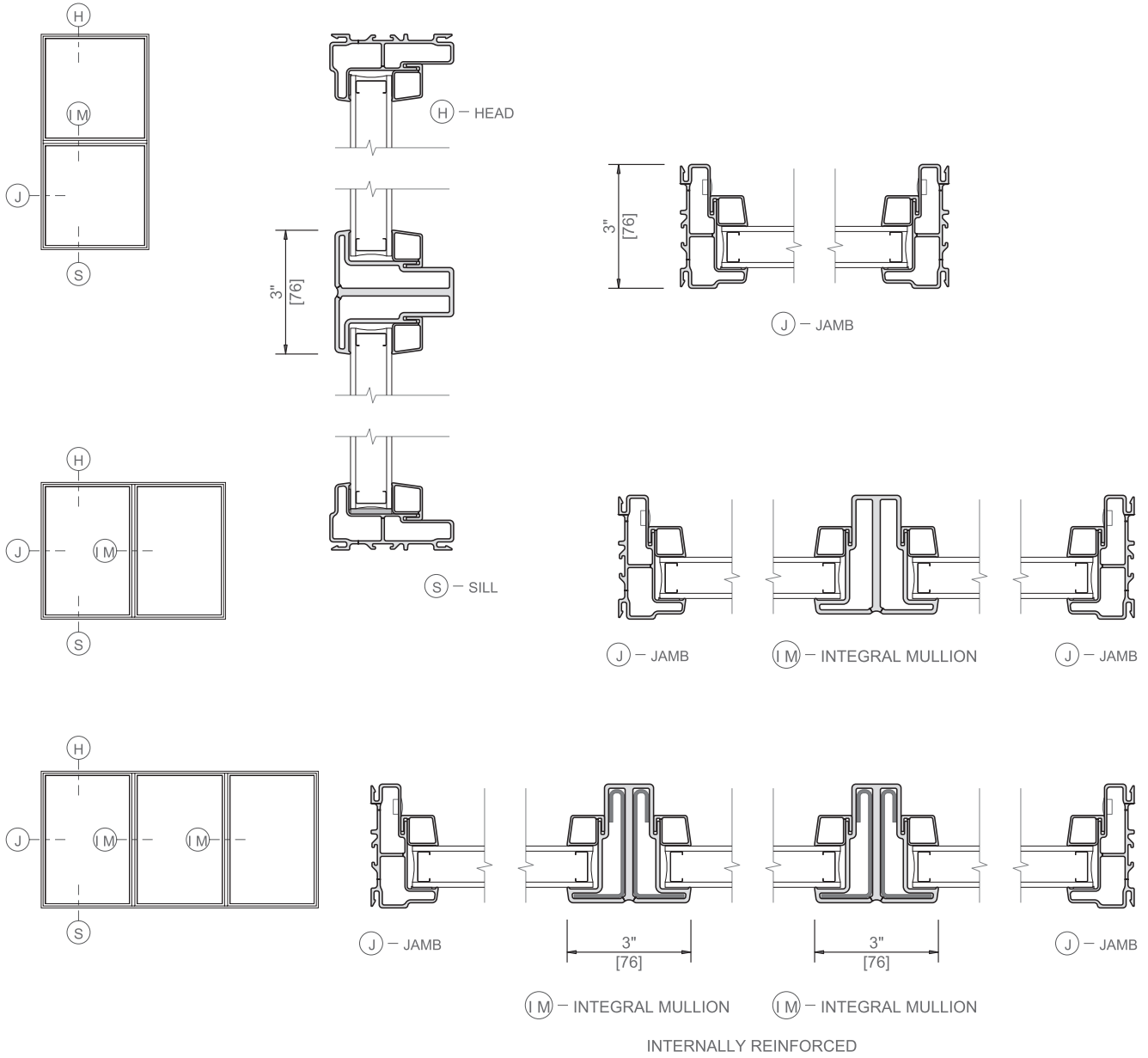


FIXED FRAME DIRECT SET

UNIT SECTIONS

Block Frame

Composite with Integral Mullion



Scale 3" = 1' 0"

All dimensions are approximate.

Factory-assembled integral mullions have a 3" overall frame width. Combination joining mullions are 3-1/4" frame width.

See the Installation and Performance section at www.PellaADM.com for mullion applications and structural limitations.