



Pella®
Reserve™
Contemporary



Moreland Hills, OH



The Sophistication of Simplicity.

Modern Collection



Multi-slide Door



Casement/Awning Window



Hinged Patio Door
Bifold Door¹



Sliding Patio Door
Multi-Slide Door²

Flush multi-slide handle is a Pella exclusive design.

Finishes



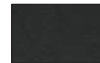
White



Champagne



Brown



Matte Black



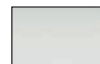
Satin Brass



Satin Nickel



Oil-Rubbed Bronze



Polished Chrome

Consult your local Pella sales representative for a full list of available hardware options.



Wood Windows
and Patio Doors

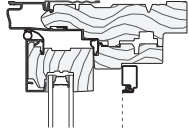
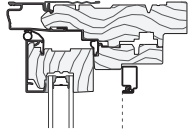
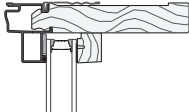
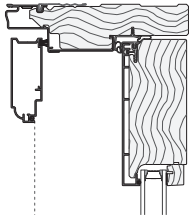
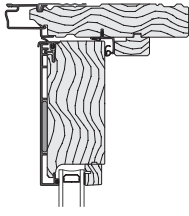
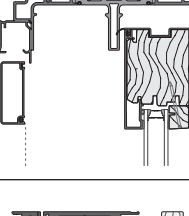
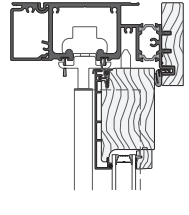
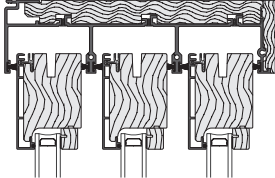
(1) Only available on Bifold configurations with a passage door.

(2) Will not allow lead panel to stack completely.

Because of printing and display limitations, actual colors may vary from those shown.

Brand Overview

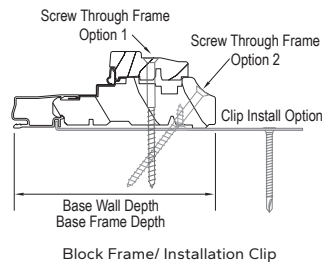
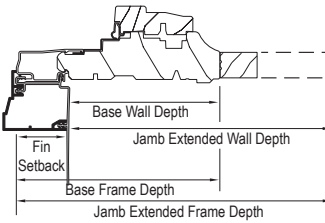
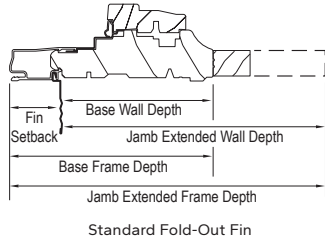
For complete product information, visit PELLA.com

	Cross Section	Frame / Install	Wall Depth Range	Performance Range
Awning Vent and Fixed		Fold-out Fin Block Frame EnduraClad Exterior Trim / Brickmould	Base Frame Depth: 5" Std. Fin Setback: 1-5/16" Base Wall Depth: 3-11/16" Jamb extended wall depth: 3-11/16" – 9-3/16"	LC30 – CW50 U: 0.23 – 0.46 SHGC: 0.17 – 0.57 STC: up to 34
Casement Vent and Fixed		Fold-out Fin Block Frame EnduraClad Exterior Trim / Brickmould	Base Frame Depth: 5" Std. Fin Setback: 1-5/16" Base Wall Depth: 3-11/16" Jamb extended wall depth: 3-11/16" – 9-3/16"	R30 – CW50 U: 0.20 – 0.46 SHGC: 0.17 – 0.64 STC: up to 34
Fixed Frame Direct Set		Standard Fold-out Fin Block Frame EnduraClad Exterior Trim / Brickmould	Base Frame Depth: 5" Std. Fin Setback: 1-3/16" Base Wall Depth: 3-11/16" Jamb Extended Wall Depth: 3-11/16" – 9-3/16"	F-CW30 – F-AW90 U: 0.17 – 0.48 SHGC: 0.20 – 0.68 STC: up to 38
In-Swing Patio Door		Fold-out Fin Block Frame EnduraClad Exterior Trim / Brickmould	Base Frame Depth: 5-7/8" Std. Fin Setback: 1-5/16" Base Wall Depth: 4-9/16" Extended wall depth: 4-9/16" – 7-5/16"	LC40 – LC55 U: 0.22 – 0.40 SHGC: 0.13 – 0.44 STC: up to 34
Out-Swing Patio Door		Fold-out Fin Block Frame EnduraClad Exterior Trim / Brickmould	Base Frame Depth: 5-7/8" Std. Fin Setback: 1-5/16" Base Wall Depth: 4-9/16" Jamb Extended wall depth: 4-9/16" – 9-3/16"	LC40 – LC70 U: 0.22 – 0.40 SHGC: 0.14 – 0.44 STC: up to 35
Sliding Patio Door		Fold-out Fin Block Frame EnduraClad Exterior Trim / Brickmould	Base Frame Depth: 5-7/8" Std. Fin Setback: 1-5/16" Base Wall Depth: 4-9/16" Jamb Extended wall depth: 4-9/16" – 9-3/16"	R20 – LC50 U: 0.26 - 0.47 SHGC: 0.18 - 0.58 STC: up to 33
Bifold Patio Door		Contact your local Pella sales representative or Pella Architectural Solutions for assistance and additional details.		Standard sill: R15 - LC25
Multi-slide Patio Door		Contact your local Pella sales representative or Pella Architectural Solutions for assistance and additional details.		1-1/2" Weep Sill: R15 – LC25 Varies by Sill Type: U: 0.31 – 0.48 SHGC: 0.15 – 0.46 STC: up to 31

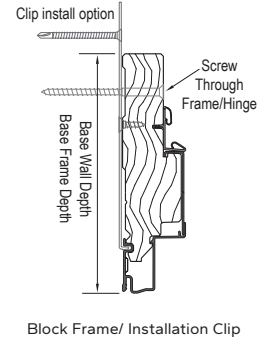
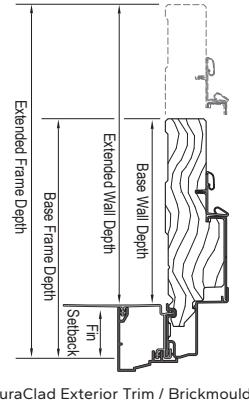
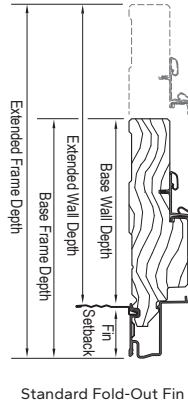
Performance ranges shown are for single units and do not account for combinations (multiple units mulled together) or include Impact-Resistant performance. ASTM E 1425 defines standard sizes for acoustical testing. Sound ratings achieved are representative of all sizes of the same configuration. Drawings are not to scale.

Brand Overview

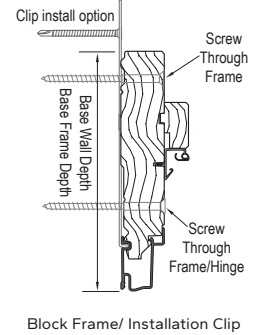
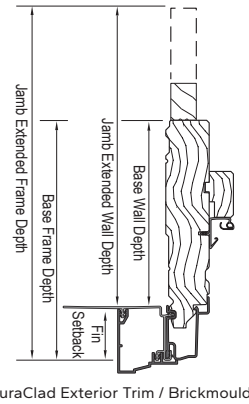
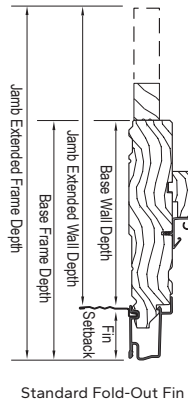
Window Frame Dimensions



In-Swing Door Frame Dimensions



Out-Swing Door Frame Dimensions



Window and door frames shown are typical products only and may not apply to custom products or multi-panel patio doors.

Finishes

EnduraClad® Protective Finish Options + Virtually Unlimited Custom Colors



Interior Prefinished Colors



Because of printing and display limitations, actual colors may vary from those shown.

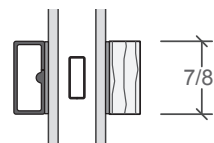
Grilles

For custom grille sizes and pattern availability, contact your local Pella sales representative.

Integral Light Technology® Grilles

- Extruded aluminum grilles are adhered to the exterior face
- Wood grilles are adhered to the interior face
- Between-the-glass non-glare spacers, which are aligned with the interior and exterior grilles, replicate the appearance of true divided lights
- Custom grille patterns are available
- Typical grilles are 7/8" wide square profile

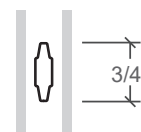
Grille Profile



5/8", 7/8", 1-1/4", and 2" widths

Grilles-Between-the-Glass¹

- Permanent aluminum grilles are factory-installed inside the airspace of insulating glass
- Black, White, Brown, Fossil, Ivory, Harvest, or Cordovan
- Colors complement today's most popular interior finishes; choose a color to coordinate with the window or door frame, or select a contrasting grille color for a one-of-a-kind look
- Exterior finish matches aluminum-cladding color
- Grilles are 3/4" wide



GBG Colors



Black



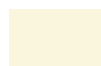
White



Brown



Fossil



Ivory

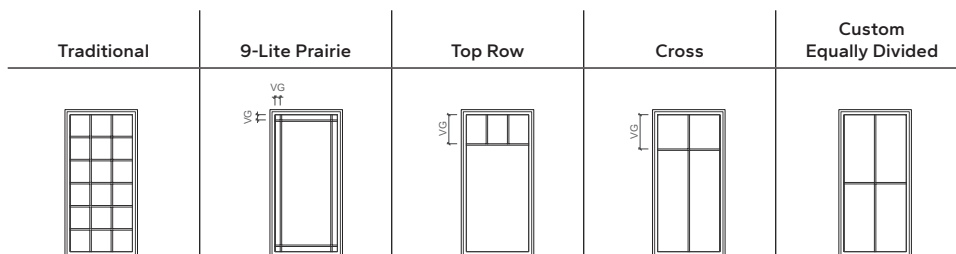


Harvest



Cordovan

Available Patterns



Pattern availability may vary depending on size of unit. Custom configurations are also available; for details contact your local Pella sales representative.

Screens



InView™ Screen

Standard screen on Pella wood windows.

Vinyl coated 18/18 mesh fiberglass. Complies with performance requirements of SMA 1201.

TuffScreen® by Phifer®

The TuffScreen is 2.5x stronger than a standard screen². It is tear, puncture and damage resistant, standing up to pets, children and harsh weather. Now available on Pella wood sliding patio doors.

Vinyl coated 17 x 12.5 mesh Polyester. Complies with performance requirements of SMA 1201.

(1) Appearance of exterior grille color may vary depending on the Low-E insulating glass selection.

(2) Based on the composite results of a 5-panel strength analysis comparing Tuffscreen and standard screening. The TuffScreen trademark is property of Phifer Incorporated.

WARNING: Screen will not stop child or pet from falling out of window or door. Keep child or pet away from open window or door.



Pella®
Reserve™
Contemporary

Awning



**Air, Water,
& Structural
Performance**

Performance Class & Grade Rating	Water Penetration Resistance	Air Infiltration	Design Pressure	Forced Entry
LC30 – CW50	7.5 psf	0.05	30 – 50 psf	40

**Thermal
Performance**

Type of Glazing (Argon fill)	U-Factor	SHGC	VLT %	CR	Energy Star® Capable
Advanced Low-E IG	0.29 – 0.33	0.25 – 0.27	0.46 – 0.51	52 – 56	—
SunDefense™ Low-E IG	0.28 – 0.32	0.19 – 0.21	0.42 – 0.47	52 – 56	SC, S
SunDefense+ Low-E IG	0.25 – 0.28	0.18 – 0.20	0.41 – 0.46	40 – 44	NC, SC, S
AdvancedComfort Low-E IG	0.26 – 0.28	0.24 – 0.27	0.45 – 0.49	40 – 44	—
NaturalSun Low-E IG	0.30 – 0.34	0.45 – 0.50	0.52 – 0.57	52 – 56	—
NaturalSun+ Low-E IG	0.26 – 0.29	0.41 – 0.46	0.51 – 0.56	39 – 43	CA, N

Vent Units

1 1/16" glass thickness, 3mm, Dual-Pane

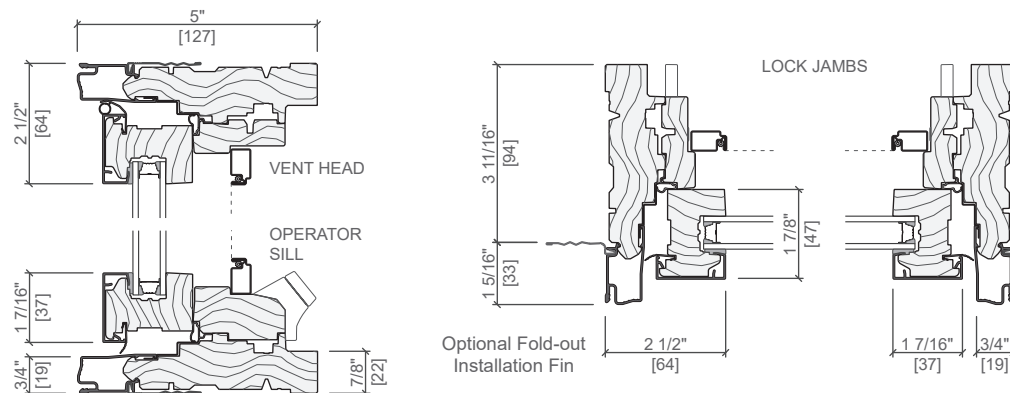
Triple-Pane also available.

**Sound
Performance**

Frame Size Tested	Type of Glazing	STC	OITC
Vent; 59" x 23"	2.5mm / 2.5mm glass	26	23
	5mm / 3mm glass	31	26
	3mm / 6mm PVB	34	28
Fixed; 47" x 59"	3mm / 3mm glass	28	24
	5mm / 3mm glass	31	26
	3mm / 6mm PVB	33	29

Code Approvals: Hallmark Certified 411-H-1339, **FPAS#:** 10026

See the Performance section earlier in this manual to learn more about performance standards and ratings. Performance varies based on actual product attributes.



Other frame types are available. Not to scale. All dimensions are approximate. Large Awning operator is located on sill instead of jamb.

Standard Sizes

Opening	1' 5 3/4"	1' 9 3/4"	1' 11 3/4"	2' 1 3/4"	2' 5 3/4"	2' 8 3/4"	2' 11 3/4"	3' 5 3/4"	3' 11 3/4"	4' 5 3/4"	4' 11 3/4"
Frame	1' 5"	1' 9"	1' 11"	2' 1"	2' 5"	2' 8"	2' 11"	3' 5"	3' 11"	4' 5"	4' 11"
(451) (432)	50 1717	50 2117	50 2317	50 2517	50 2917	50 3217	50 3517	50 4117	50 4717	50 5317	40 5917
(552) (533)		50 2121	50 2321	50 2521	50 2921	50 3221	50 3521	50 4121	50 4721	50 5321	40 5921
(603) (584)			50 2323	50 2523	50 2923	50 3223	50 3523	50 4123	50 4723	50 5323	40 5923
(654) (635)				50 2525	50 2925	50 3225	50 3525	50 4125	50 4725	50 5325	40 5925
(756) (737)					50 2929	50 3229	50 3529	50 4129	50 4729	50 5329	40 5929

Opening	1' 11 3/4"	2' 1 3/4"	2' 5 3/4"	2' 8 3/4"	2' 11 3/4"	3' 5 3/4"	3' 11 3/4"	4' 5 3/4"	4' 11 3/4"
Frame	1' 11"	2' 1"	2' 5"	2' 8"	2' 11"	3' 5"	3' 11"	4' 5"	4' 11"
(603) (584)	50 2321	50 2521	50 2921	50 3221	50 3521	50 4121	50 4721	50 5321	40 5921
(654) (635)	50 2323	50 2523	50 2923	50 3223	50 3523	50 4123	50 4723	50 5323	40 5923
(756) (737)	40 2325	50 2525	50 2925	50 3225	50 3525	50 4125	50 4725	50 5325	40 5925
(832) (813)	40 2329	40 2529	50 2929	50 3229	50 3529	50 4129	50 4729	50 5329	40 5929
(908) (889)	40 2332	40 2532	40 2932	40 3232	40 3532	40 4132	40 4732	40 5332	40 5932
(1060) (1041)	40 2335	40 2535	40 2935	40 3235	40 3535	40 4135	40 4735	40 5335	40 5935
(1213) (1194)	40 2341	40 2541	40 2941	40 3241	40 3541	40 4141	40 4741	40 5341	40 5941
(1365) (1346)	40 2347	40 2547	40 2947	40 3247	40 3547	40 4147	40 4747	40 5347	40 5947
(1518) (1499)	40 2353	40 2553	40 2953	40 3253	40 3553	40 4153	40 4753	40 5353	40 5953
(1670) (1651)	40 2359	40 2559	40 2959	40 3259	40 3559	40 4159	40 4759	40 5359	40 5959
(1822) (1803)	30 2365	30 2565	30 2965	30 3265	30 3565	30 4165	30 4765	30 5365	45 5965
(1873) (1854)	30 2371	30 2571	30 2971	30 3271	30 3571	30 4171	30 4771	30 5371	50 5971
	30 2373	30 2573	30 2973	30 3273	30 3573	30 4173	30 4773	30 5373	50 5973

Max. Performance Grade rating (with select venting hardware and when glazed properly)

Certain Fixed sizes will require tempered glass

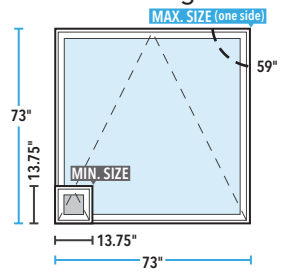
50 Frame size call-out

(F) = Fixed units only.
Fixed units reach DP 50 with appropriate glazing.
Impact-Resistant glazing with higher design pressure ratings available.

Special Sizes

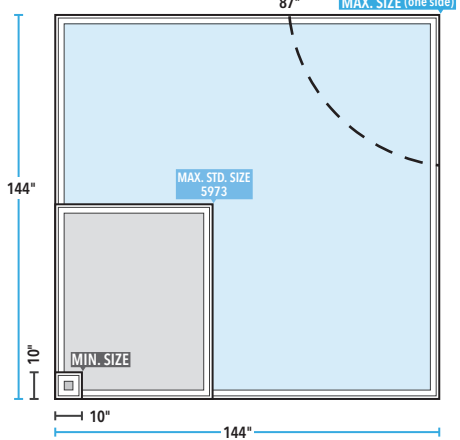
Special sizes are available in 1/8" increments.

Vent Awning



Maximum vent frame area cannot be > 19.5 sq. ft. One side must be ≤ 59". Maximum glass area cannot be > 48 sq. ft.

Fixed Awning



Maximum fixed frame area cannot be > 66.25 sq. ft. One side must be ≤ 87". Maximum glass area cannot be > 60 sq. ft.

Awning windows do not allow for egress, see the online ADM for complete details and comparisons of hardware venting dimensions. Use the QR code for quick access or visit www.Pella.com.





Pella®
Reserve™
Contemporary
Casement



Moreland Hills, OH

**Air, Water,
& Structural
Performance**

Performance Class & Grade Rating	Water Penetration Resistance	Air Infiltration	Design Pressure	Forced Entry
R30 - CW50	7.5 psf	0.05	30 – 50 psf	10

**Thermal
Performance**

Type of Glazing (Argon fill)	U-Factor	SHGC	VLT %	CR	Energy Star® Capable
Advanced Low-E IG	0.29 – 0.33	0.25 – 0.27	0.46 – 0.51	54 – 57	—
SunDefense™ Low-E IG	0.28 – 0.33	0.19 – 0.21	0.42 – 0.47	54 – 57	SC, S
SunDefense+ Low-E IG	0.25 – 0.28	0.18 – 0.20	0.41 – 0.46	42 – 45	NC, SC, S
AdvancedComfort Low-E IG	0.25 – 0.28	0.24 – 0.27	0.45 – 0.49	41 – 45	NC
NaturalSun Low-E IG	0.30 – 0.34	0.45 – 0.50	0.52 – 0.57	53 – 56	—
NaturalSun+ Low-E IG	0.26 – 0.29	0.41 – 0.46	0.51 – 0.56	41 – 44	CA, N

Vent Units

1 1/16" glass thickness, 3mm, Dual-Pane

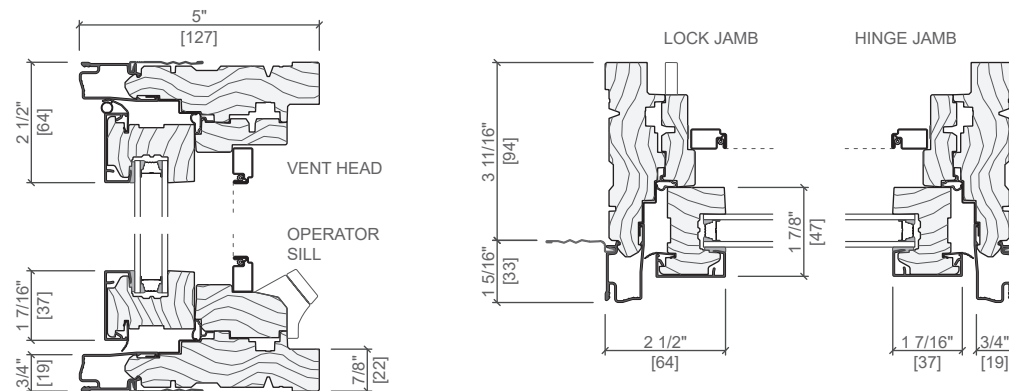
Triple-Pane also available.

**Sound
Performance**

Frame Size Tested	Type of Glazing	STC	OITC
Vent; 23" x 59"	11/16" Overall thickness	26	23
	2.5mm / 2.5mm glass	31	26
	5mm / 3mm glass	34	28
Fixed; 47" x 59"	11/16" Overall thickness	28	24
	3mm / 3mm glass	31	26
	5mm / 3mm glass	33	29

Code Approvals: Hallmark Certified 411-H-1339, **FPAS#:** Vent 10015, Fixed 10022

See the Performance section earlier in this manual to learn more about performance standards and ratings. Performance varies based on actual product attributes.



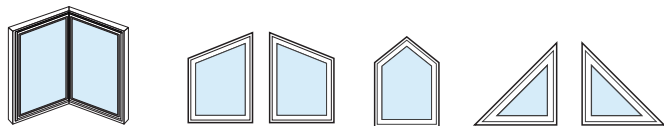
Other frame types are available. Not to scale. All dimensions are approximate.

Standard Sizes

Vent and Fixed Units

	(451) (432)	(552) (533)	(603) (584)	(654) (635)	(756) (737)	(832) (813)	(908) (889)
Opening	1' 5 3/4"	1' 9 3/4"	1' 11 3/4"	2' 1 3/4"	2' 5 3/4"	2' 8 3/4"	2' 11 3/4"
Frame	1' 5"	1' 9"	1' 11"	2' 1"	2' 5"	2' 8"	2' 11"
1' 5"	50 1717	50 F 2117	50 F 2317	50 F 2517	50 F 2917	50 F 3217	50 F 3517
1' 9"		50 2121					
1' 11"			50 2323				
2' 1"	50 F 1725	50 F 2125	50 F 2325	50 2525	50 F 2925	50 F 3225	50 F 3525
2' 5"				50 2929			
2' 8"	50 1732	50 2132	50 2332	50 2532	50 2932	50 E 3232	50 F 3532
2' 11"	50 1735	50 2135	50 2335	50 2535	50 E 2935	50 E 3235	50 E 3535
3' 5"	50 1741	50 2141	50 2341	50 E 2541	50 E 2941	50 E 3241	50 E 3541
3' 11"	50 1747	50 2147	50 2347	50 E 2547	50 E 2947	50 E 3247	50 E 3547
4' 5"	50 1753	50 2153	50 2353	50 E 2553	50 E 2953	50 E 3253	45 50 3553
4' 11"	50 1759	50 2159	45 50 2359	45 50 2559	45 50 2959	45 50 3259	50 3559
5' 5"	50 1765	45 50 2165	40 50 2365	40 50 2565	40 50 2965	50 3265	50 3565
5' 11"	50 T 1771	45 50 2171	35 50 2371	35 50 2571	45 50 2971	45 50 3271	45 50 3571
6' 1"	50 T 1773	40 50 2173	35 50 2373	30 50 2573	45 50 2973	45 50 3273	45 50 3573

Additional fixed standard sizes are available up to 4' 11" (59") Wide. See online ADM for details.

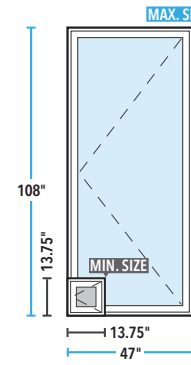


Mitered Corner windows and angled shapes are available. See the online ADM for details or contact your local Pella sales representative. Use the QR code for quick access or visit www.Pella.com.

Special Sizes

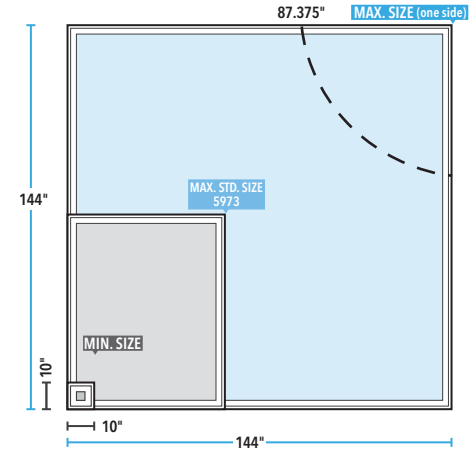
Special sizes are available in 1/8" increments.

Vent Casement

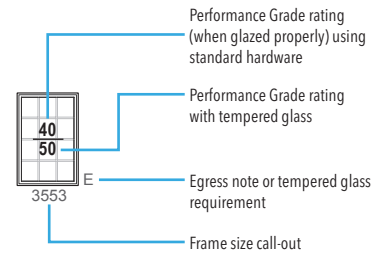


Frame width cannot exceed frame height on vent special sizes. Maximum frame area cannot exceed 36 sq. ft.

Fixed Casement



Maximum fixed frame area cannot be > 66.25 sq. ft. One side must be ≤ 87". Maximum glass area cannot be > 60 sq. ft.



F Fixed units only.

T Tempered glass is standard.

For frame width ≤ 29 with side pivot hardware, maximum Performance Grade = 40.

Impact-Resistant glazing with higher design pressure ratings available.

Egress Notes (IRC standard):

- E = Window meets minimum clear opening of 24" height, 20" width, and 5.7 sq. ft.
- E1 = Window meets minimum clear opening of 24" height, 20" width, and 5.0 sq. ft.
- E2 = With optional side pivot hardware, window meets minimum clear opening of 24" height, 20" width, and 5.7 sq. ft.
- E3 = With optional side pivot hardware, window meets minimum clear opening of 24" height, 20" width, and 5.0 sq. ft.

Check all applicable local codes for emergency egress requirements.

Special sizes wider than 35" do not meet egress due to restricted sash opening angle.

See complete product information online for additional information.





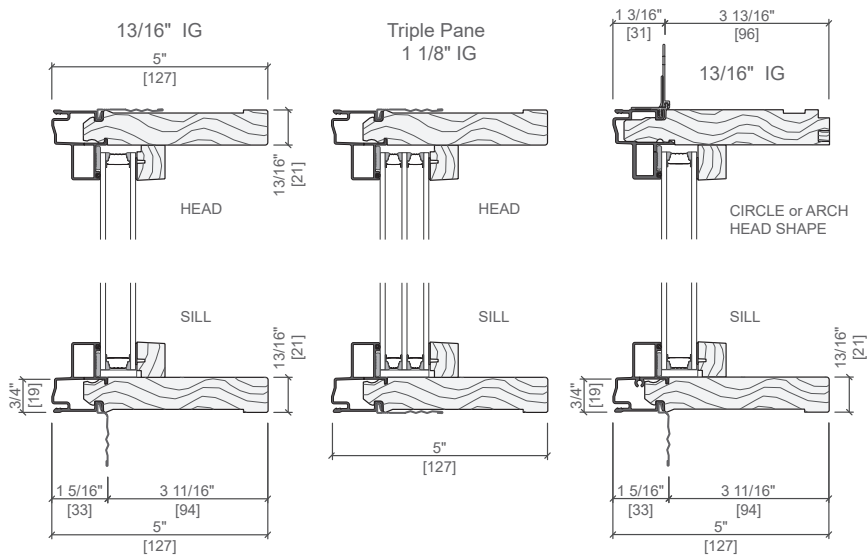
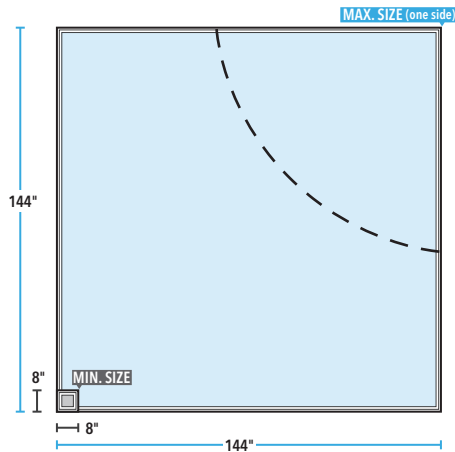
Pella®
Reserve™
Contemporary

Fixed
Frame
Direct Set



Sizes are available in 1/8" increments.

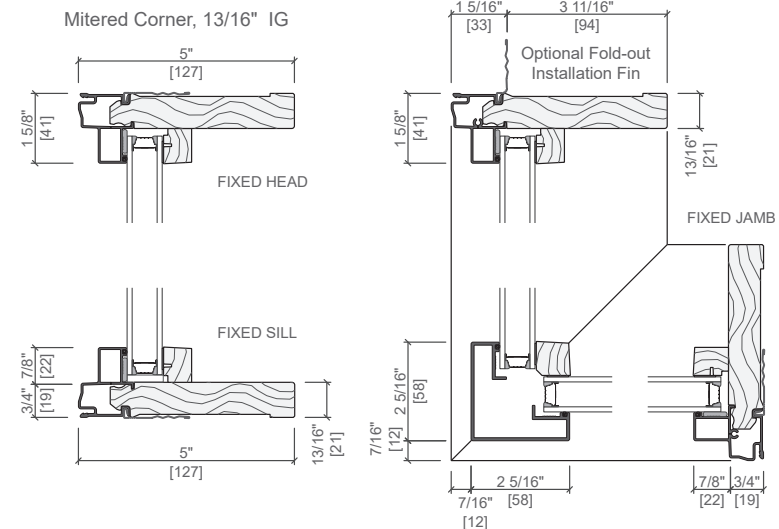
Fixed Interior Glazed



Interior Glazed Fixed Frames are available up to a maximum glass area of 76 sq. ft. (7.06 m²). Not all sizes are certified.

Impact Resistant Glazing is limited to a maximum frame area of 50 sq. ft.

See online ADM or contact your local Pella sales representative for size and performance limitations of Mitered Corner windows.



Other frame types are available.

Not to scale. All dimensions are approximate.

Sizes & Performance – Interior Glazed

Air, Water, & Structural Performance	Performance Class & Grade Rating	Water Penetration Resistance	Air Infiltration	Design Pressure	Forced Entry
	F-CW30 – F-CW90	14.62 psf	0.05	30 – 90 psf	–

Thermal Performance	Type of Glazing (Argon fill)	U-Factor	SHGC	VLT %	CR	Energy Star® Capable
	Fixed Units Dual Pane: 13/16" glass thickness, 3mm, Dual-Pane	Advanced Low-E IG	0.28 – 0.33	0.29 – 0.33	0.55 – 0.62	54 – 57
SunDefense™ Low-E IG		0.28 – 0.32	0.22 – 0.24	0.51 – 0.57	54 – 57	SC, S
SunDefense+ Low-E IG		0.23 – 0.32	0.21 – 0.24	0.50 – 0.57	46 – 54	NC, SC, S
AdvancedComfort Low-E IG		0.23 – 0.27	0.29 – 0.32	0.54 – 0.60	42 – 45	NC
NaturalSun Low-E IG		0.29 – 0.34	0.55 – 0.61	0.63 – 0.70	53 – 57	CA
Triple Pane: 1-1/8" glass thickness, 3mm	NaturalSun+ Low-E IG	0.24 – 0.27	0.50 – 0.55	0.61 – 0.68	41 – 45	CA, N
	Advanced Low-E IG	0.18 – 0.22	0.27 – 0.30	0.49 – 0.54	65 – 69	CA, N, NC
	SunDefense Low-E IG	0.18 – 0.22	0.20 – 0.22	0.45 – 0.50	65 – 69	CA, N, NC, SC, S
	NaturalSun Low-E IG	0.18 – 0.22	0.45 – 0.49	0.55 – 0.61	65 – 68	CA, N

Sound Performance

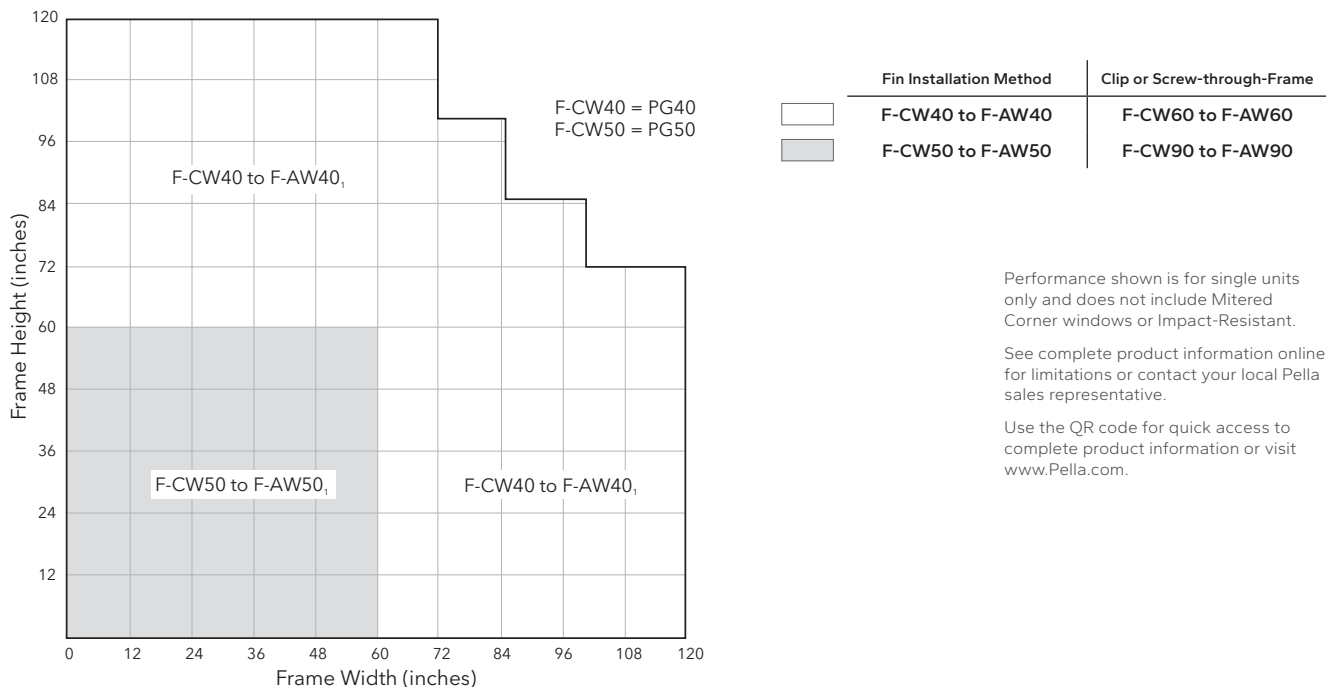
ASTM E 1425 defines standard sizes for acoustical testing. Ratings achieved are representative of all sizes of the same configuration.

Frame Size Tested	Type of Glazing	Without Grilles		
		STC	OITC	
47" x 59"	13/16" Overall Thickness Dual-Pane	3mm / 3mm	27	22
		4mm / 4mm	28	24
		5mm / 3mm	31	26
	1" Overall Thickness Dual-Pane	4mm / 6mm	34	28
		6mm / 6mm	31	26
	1" Overall Thickness Dual-Pane Sound Reduction Glass	4mm / 7mm PVB	34	29
	1-1/4" Overall Thickness Dual-Pane Sound Reduction Glass	6mm / 12mm PVB	38	34
	1" Overall Thickness Dual-Pane Impact Laminated Glass	11.7mm PVB / 5mm glass	36	32
		11.7mm SGP / 5mm glass	35	31
	1-1/4" Overall Thickness Dual-Pane Impact Laminated Glass	13.6mm SPG / 6mm glass	37	31
1-3/8" Overall Thickness Triple-Pane Glazing	5mm / 5mm / 5mm	31	26	

Code Approvals:

Interior Glazed - Hallmark Certified 411-H-670; **FPAS#:** Standard = FL 10354; Impact Resistant = FL 20349 **TDI#:** Standard = WIN-1574; Impact Resistant = WIN-478

See the Performance section earlier in this manual to learn more about performance standards and ratings.



Maximum performance when glazed with the appropriate glass thickness and using the correct installation method.

Keep special size frame dimensions to the nearest 1/8" increment.

(1) AAMA / WDMA F-AW rating can be obtained with the EnduraClad Plus protective finish with 70% fluoropolymer resin in a multi-step finish.





Pella®
Reserve™
Contemporary

Fixed
Frame
Direct Set
Shapes



Shapes and Sizes – Interior Glazed

Description	Width		Height		Max. Glass Ft ²
	Min.	Max.	Min.	Max.	
Rectangle	8"	144"	8"	144"	76

Rectangular and Angled Shapes



Rectangle



Pentagon



Trapezoid



Right Triangle

Angled and Curved frames are measured as a rectangle.

Pella angled and rectangular fixed frame direct set windows are available in custom shapes above, not all options are shown. These windows may be installed in any orientation. For specifications, size limitations, and details on these units, contact your local Pella sales representative.



Photograph(s) © Meagan Larsen Photography



Pella®
Reserve™
Contemporary

In-Swing
Door



**Air, Water,
& Structural
Performance**

Door Height	Performance Class & Grade Rating	Water Penetration Resistance	Air Infiltration	Design Pressure	Forced Entry
≤ 8'	LC55	8.36 psf	0.10	55 psf	Complies with AAMA 1304
> 8'	LC40	6.0 psf	0.10	40 psf	

**Thermal
Performance**

13/16" glass thickness, 3mm, Dual-Pane

Triple-Pane also available

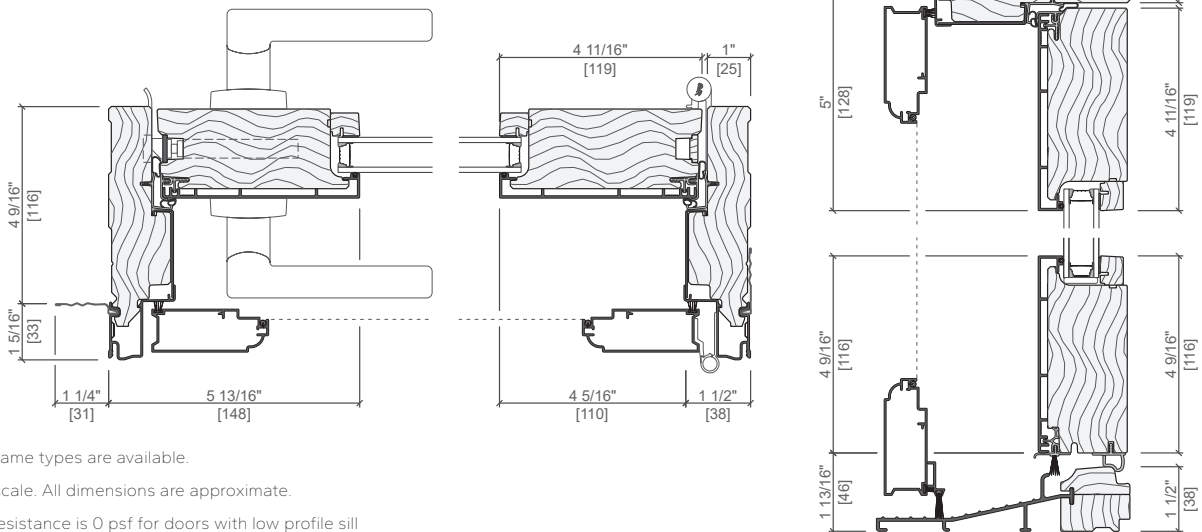
Type of Glazing (Argon fill)	U-Factor	SHGC	VLT %	CR	Energy Star® Capable
Advanced Low-E IG	0.27 – 0.31	0.18 – 0.21	0.33 – 0.39	58 – 61	SC, S
SunDefense™ Low-E IG	0.27 – 0.30	0.14 – 0.16	0.31 – 0.36	58 – 61	SC, S
SunDefense+ Low-E IG	0.24 – 0.27	0.14 – 0.16	0.30 – 0.35	45 – 48	N, NC, SC, S
AdvancedComfort Low-E IG	0.24 – 0.26	0.18 – 0.21	0.33 – 0.38	45 – 48	N, NC, SC, S
NaturalSun Low-E IG	0.28 – 0.31	0.34 – 0.39	0.38 – 0.44	57 – 60	—
NaturalSun+ Low-E IG	0.25 – 0.27	0.31 – 0.36	0.37 – 0.43	44 – 47	N, NC

**Sound
Performance**

Frame Size Tested	Type of Glazing		Without Grilles	
			STC	OITC
71-1/4" x 81-1/2"	13/16" Overall thickness	3mm / 3mm glass	31	25

Code Approvals: Hallmark Certified; **FPAS#:** 14293; **TDI#:** DR-635

See the Performance section earlier in this manual to learn more about performance standards and ratings. Performance varies based on actual product attributes.



Other frame types are available.

Not to scale. All dimensions are approximate.

Water resistance is 0 psf for doors with low profile sill

Standard Sizes

	(664) (645)	(781) (762)	(870) (851)	(933) (914)	(981) (962)
Opening	2' 2 1/8"	2' 6 3/4"	2' 10 1/4"	3' 0 3/4"	3' 2 5/8"
Frame	2' 1 3/8"	2' 6"	2' 9 1/2"	3' 0"	3' 1 7/8"
(2 032) (2 019)	6' 8"				
(2 083) (2 070)	6' 7 1/2"				
(2 197) (2 184)	6' 10"				
(2 438) (2 426)	6' 9 1/2"				
(3 048) (3 035)	7' 2 1/2"				
	7' 2"				
	8' 0"				
	7' 11 1/2"				
	8' 0"				
	9' 11 1/2"				
	10' 0"				
	LEFT 2680	LEFT 3080	LEFT 3480	LEFT 3680	LEFT 3880
	LEFT 2682	LEFT 3082	LEFT 3482	LEFT 3682	LEFT 3882
	LEFT 2686	LEFT 3086	LEFT 3486	LEFT 3686	LEFT 3886
	LEFT 2696	LEFT 3096	LEFT 3496	LEFT 3696	LEFT 3896
	LEFT 26120	LEFT 30120	LEFT 34120	LEFT 36120	LEFT 38120

Double-door standard sizes available in same heights shown above in 50", 60", 67", 72", and 86" widths.

Not to scale.

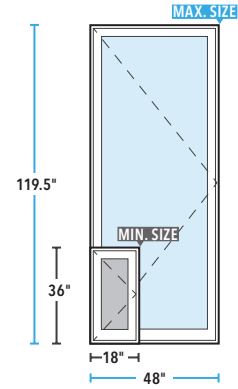
Traditional grille patterns shown.

Left-hand doors shown, right-hand and fixed also available.

Special Sizes

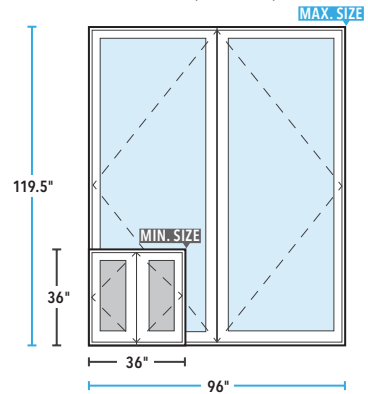
Special sizes are available in 1/8" increments.

Single Door (L/R)



Fixed available up to 60" maximum width.

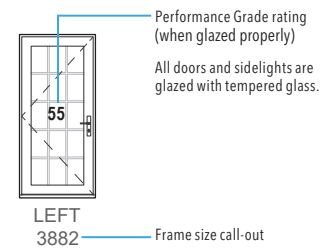
Double-Door (AP/PA)



Frame height must be \geq frame width.

AF/FA available 75" maximum width and 96" max. height.

Minimum frame height for AF/FA cannot be $<$ 79.5".



Doors not using the standard Pella multi-point lock and hardware (specified as 'No lock/No Bore') are not Hallmark certified.

Fixed Casement Transoms with wide stiles for matching glass sightlines and companion fixed frame direct set windows available for transom combinations.

See complete product information online or contact your local Pella sales representative.

Use the QR code for quick access to complete product information or visit www.Pella.com.





Pella®
Reserve™
Contemporary

Out-Swing
Door



**Air, Water,
& Structural
Performance**

Door Height	Performance Class & Grade Rating	Water Penetration Resistance	Air Infiltration	Design Pressure	Forced Entry
≤ 8'	LC55 – LC70	10.66 psf	0.15	55 – 70 psf	Complies with AAMA 1304
> 8'	LC40 – LC50	8.36 psf	0.15	40 – 50 psf	

**Thermal
Performance**

13/16" glass thickness, 3mm, Dual-Pane

Triple-Pane also available

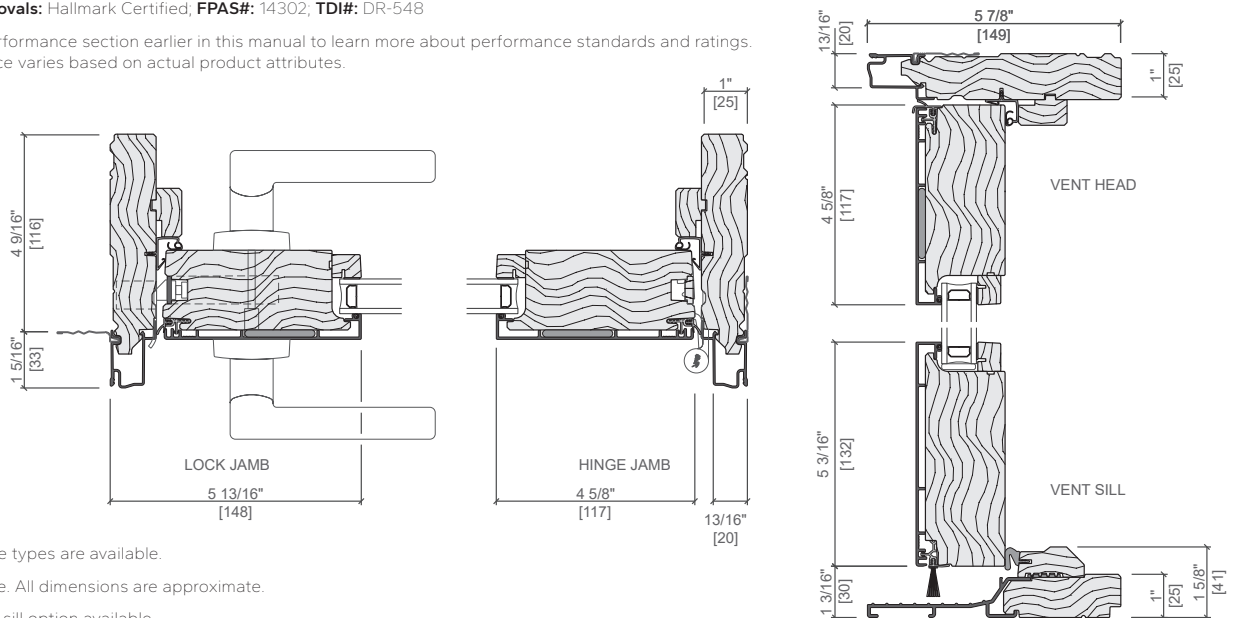
Type of Glazing (Argon fill)	U-Factor	SHGC	VLT %	CR	Energy Star® Capable
Advanced Low-E IG	0.28 – 0.31	0.19 – 0.22	0.33 – 0.39	57 – 61	SC, S
SunDefense™ Low-E IG	0.27 – 0.30	0.14 – 0.16	0.31 – 0.36	58 – 61	SC, S
SunDefense+ Low-E IG	0.24 – 0.27	0.14 – 0.16	0.30 – 0.35	45 – 48	N, NC, SC, S
AdvancedComfort Low-E IG	0.24 – 0.27	0.18 – 0.21	0.33 – 0.38	45 – 49	N, NC, SC, S
NaturalSun Low-E IG	0.28 – 0.31	0.34 – 0.39	0.38 – 0.44	57 – 60	—
NaturalSun+ Low-E IG	0.25 – 0.28	0.31 – 0.36	0.37 – 0.43	44 – 47	N, NC

**Sound
Performance**

Frame Size Tested	Type of Glazing		Without Grilles	
			STC	OITC
71-1/4" x 81-1/2"	13/16" Overall thickness	3mm / 3mm glass	30	25

Code Approvals: Hallmark Certified; **FPAS#:** 14302; **TDI#:** DR-548

See the Performance section earlier in this manual to learn more about performance standards and ratings. Performance varies based on actual product attributes.



Other frame types are available.

Not to scale. All dimensions are approximate.

Low Profile sill option available.

Standard Sizes

	(664) (645)	(781) (762)	(870) (851)	(933) (914)	(981) (962)
Opening	2' 2 1/8"	2' 6 3/4"	2' 10 1/4"	3' 0 3/4"	3' 2 5/8"
Frame	2' 1 3/8"	2' 6"	2' 9 1/2"	3' 0"	3' 1 7/8"
6' 8"					
	LEFT 2680	LEFT 3080	LEFT 3480	LEFT 3680	LEFT 3880
(2 032) (2 019)					
6' 7 1/2"					
	LEFT 2682	LEFT 3082	LEFT 3482	LEFT 3682	LEFT 3882
(2 083) (2 070)					
6' 10"					
	LEFT 2686	LEFT 3086	LEFT 3486	LEFT 3686	LEFT 3886
(2 197) (2 184)					
7' 2 1/2"					
	LEFT 2696	LEFT 3096	LEFT 3496	LEFT 3696	LEFT 3896
(2 438) (2 426)					
8' 0"					
	LEFT 26120	LEFT 30120	LEFT 34120	LEFT 36120	LEFT 38120
(3 048) (3 035)					
10' 0"					
	LEFT 26120	LEFT 30120	LEFT 34120	LEFT 36120	LEFT 38120
9' 11 1/2"					

Double-door standard sizes available in same heights shown above in 50", 60", 67", 72" and 86" widths.

Not to scale.

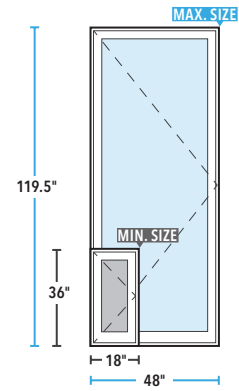
Traditional grille patterns shown.

Left-hand doors shown, right-hand and fixed also available.

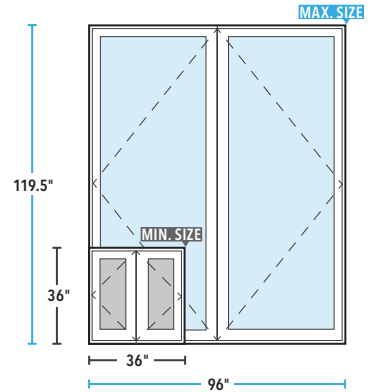
Special Sizes

Special sizes are available in 1/8" increments.

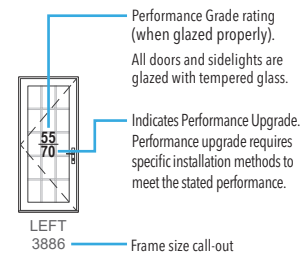
Single Door (L/R)



Double-Door (AP/PA)



Frame height must be \geq frame width.



Fixed Casement Transoms with wide stiles for matching glass sightlines and companion fixed frame direct set windows available for transom combinations.

See complete product information online or contact your local Pella sales representative.

Use the QR code for quick access to complete product information or visit www.Pella.com.





Pella®
Reserve™

Sliding Door



Air, Water, & Structural Performance

Performance Class & Grade Rating	Water Penetration Resistance	Air Infiltration	Design Pressure	Forced Entry
R20 – LC50	3.13 - 7.52 psf	0.30	20 – 50	40

Thermal Performance

3/4" glass thickness, 3mm, Dual-Pane
Triple-Pane also available

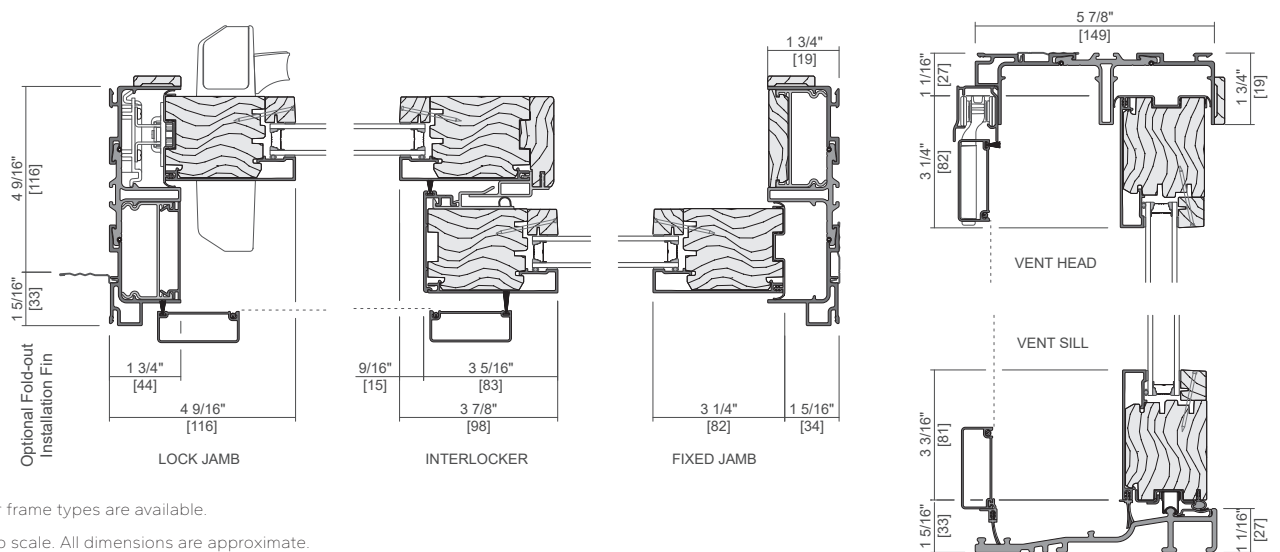
Type of Glazing (Argon fill)	U-Factor	SHGC	VLT %	CR	Energy Star® Capable
Advanced Low-E IG	0.30	0.25 - 0.28	0.45 - 0.52	55	-
SunDefense™ Low-E IG	0.30	0.18 - 0.21	0.42 - 0.48	55	-
SunDefense+™ Low-E IG	0.26	0.18 - 0.20	0.41 - 0.47	45	N, NC, SC, S
AdvancedComfort Low-E IG	0.26	0.24 - 0.27	0.44 - 0.51	45	N, NC
NaturalSun Low-E IG	0.31	0.45 - 0.51	0.51 - 0.59	54	-
NaturalSun+ Low-E IG	0.27	0.41 - 0.47	0.50 - 0.57	44	-

Sound Performance

Frame Size Tested	Type of Glazing		Without Grilles	
			STC	OITC
71.9" x 79.7" (Fixed-Vent)	3/4" Overall Thickness	3mm / 3mm glass	28	24
		4mm / 6mm glass	31	27
	7/8" Overall Thickness	5mm / 7.6mm PVB glass	33	29
		1-3/8" Overall Thickness	4mm / 4mm / 4mm	30

Code Approvals: 411-H-1520; FPAS#: FL47325

See the Performance section earlier in this manual to learn more about performance standards and ratings. Performance varies based on actual product attributes.



Other frame types are available.

Not to scale. All dimensions are approximate.

Standard Sizes

6" 8" Two-Panel Fixed-Vent

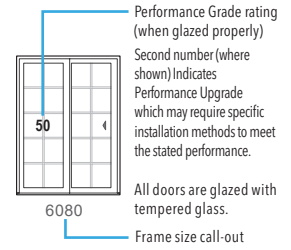
Opening	5' 0" (1 524)	6' 0" (1 829)	7' 0" (2 134)	8' 0" (2 438)	10' 0" (3 048)
Frame	4' 11 1/4" (1 505)	5' 11 1/4" (1 810)	6' 11 1/4" (2 115)	7' 11 1/4" (2 419)	9' 11 1/4" (3 029)
6' 8" (2 032) 6' 7 1/2" (2 019)					
6' 10" (2 083) 6' 9 1/2" (2 070)					
8' 0" (2 438) 7' 11 1/2" (2 426)					
9' 0" (2 743) 8' 11 1/2" (2 731)					
10' 0" (3 048) 9' 11 1/2" (3 035)					

Two panel doors—Fixed-Vent (OX), right panel opens, left panel is fixed. Units open in the direction of the arrow as viewed from the exterior.

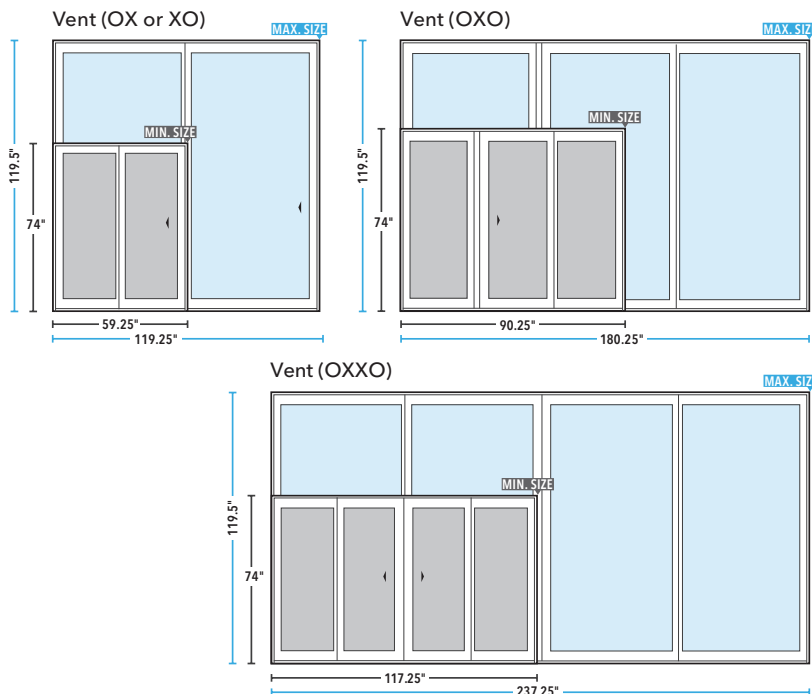
Vent-Fixed (XO) doors are also available.

Three-Panel (OXO), and-Four Panel (OXXO) are also available in standard sizes, matching the standard heights shown in this size table.

Contact your local Pella sales representative for details and restrictions of knock-down frames for on-site assembly.



Special Sizes



Special Sizes in 2-Panel are available in 1/4" increments.

Special Sizes in 3- and 4-Panel are available in 1/2" increments.

Fixed Casement Transoms with wide stiles for matching glass sightlines and companion fixed frame direct set windows available for transom combinations.

See complete product information online or contact your local Pella sales representative.

Use the QR code for quick access to complete product information or visit www.Pella.com.





Pella®
Reserve™
Contemporary

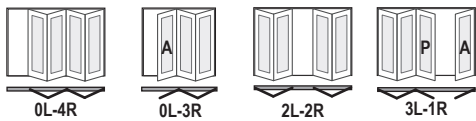
Multi-Panel
Doors



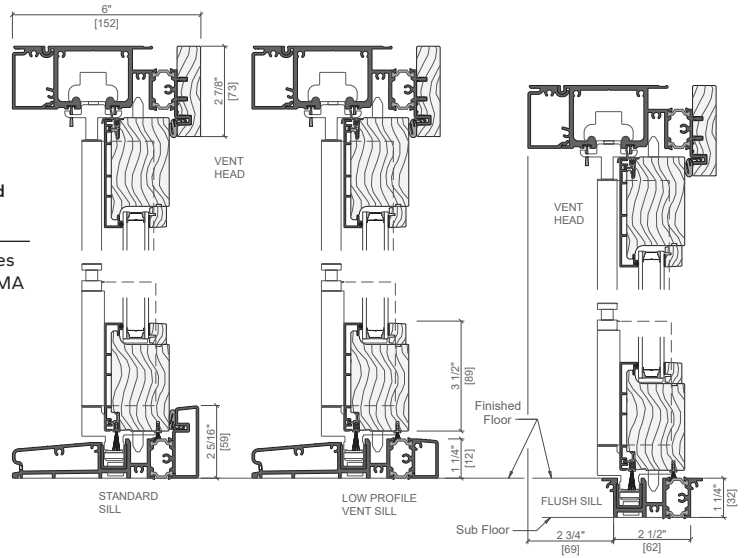
Bifold Doors

Out-Swing Standard Sill
Air, Water, & Structural Performance

Performance Class & Grade Rating	Water Penetration Resistance	Air Infiltration	Design Pressure	Forced Entry
R15 – LC25	2.92 – 3.76 psf	0.15	15 – 25 psf	Complies with AAMA 1304



See online ADM for specific sizes by configuration and all available options.



Size Dimensions (Out-Swing Bifold Doors)

Number of Panels	Frame Width (inches)							
	One-Way (No-Passage-Door)		One-Way (Passage-Door)		Split (No-Passage-Door)		Split (Passage-Door)	
	Min	Max	Min	Max	Min	Max	Min	Max
2	32.125	87.5	—	—	—	—	—	—
3	—	—	46.625	129.75	—	—	47.375	130.5
4	61	171.875	—	—	61.25	172.125	61.875	172.75
5	—	—	75.5	214.125	—	—	76.25	214.875
6	89.875	256.25	—	—	90.125	256.5	90.75	257.125
7	—	—	104.375	298.5	—	—	105.125	299.25
8	118.75	340.625	—	—	119	340.875	119.625	341.5
9	—	—	133.25	382.875	—	—	134	383.625
10	147.625	425	—	—	147.875	425.25	148.5	425.875

View online documents for unit height details.

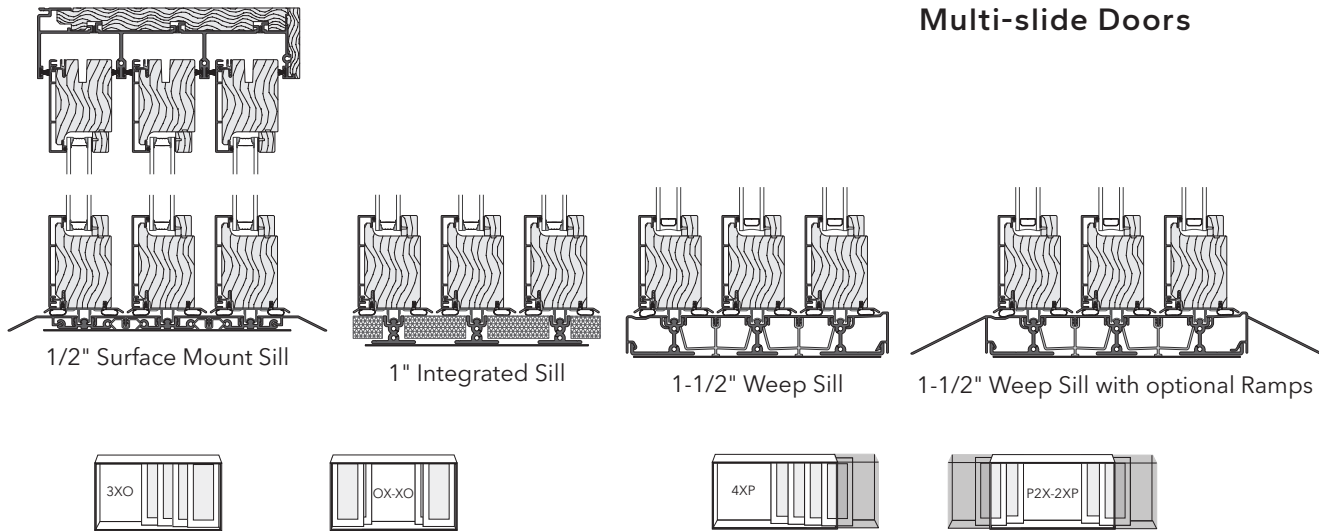
Minimum to maximum door width dimensions refers to frame to frame dimension. Values represent minimum and maximum values without consideration of panel configuration, consult design data for specific values for your venting configuration.

Contact your local Pella sales representative for the most current options and configurations available.





Multi-slide Doors



Stacking Panel Configurations

Number of Panels	Frame Width (inches)			
	One-Way		Bi-Part	
	Min	Max	Min	Max
1	—	—	—	—
2	40.375	120.25	—	—
3	56.5	176.25	—	—
4	72.375	232.25	78.25	238.125
5	88.5	288.375	—	—
6	104.5	344.375	110.375	350.25
7	120.5	400.375	—	—
8	136.5	456.375	142.375	462.25
9	—	—	—	—
10	—	—	174.5	574.375

View online documents for unit height details.

Pocketing Panel Configurations

Number of Panels	Frame Width (i nches)			
	1 Pocket / One-Way		2 Pocket / Bi-Part	
	Min	Max	Min	Max
1	48.875	128.75	—	—
2	64	183.875	95.25	255.125
3	80	239.875	—	—
4	96	295.875	125.5	365.375
5	112.125	352	—	—
6	128.125	408	157.625	477.5
7	144.125	464	—	—
8	160.25	520	189.75	589.5
9	—	—	—	—
10	—	—	221.75	701.625

View online documents for unit height details.

X = Venting, O = Fixed. Custom sized panels in 1/8" increments. Doors are viewed from the exterior.

Minimum to maximum door width dimensions refers to frame to frame dimension. Values represent minimum and maximum values without consideration of panel configuration, consult design data for specific values for your venting configuration.

Contact your local Pella sales representative for the most current options and configurations available.

