



Pella® 250 Series

Vinyl Windows and Patio Doors



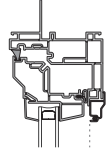
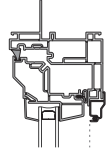
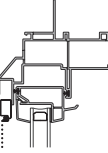
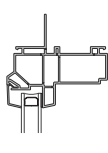
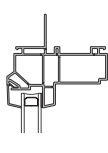
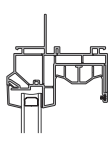
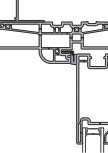
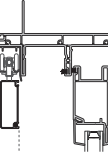
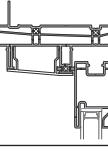
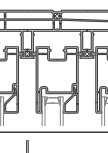
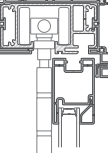
Pella 250 Series products offer innovative and enhanced security and privacy features for more peace of mind. Made with high-quality, easy-care vinyl, these windows and patio doors deliver exceptional energy performance and Pella craftsmanship.

- A** Multi-chambered, fully welded frame and sash are 52% stronger than ordinary vinyl (based on the force required to bend a window frame profile). Enhanced security and privacy features such as the patent-pending integrated flush footbolt on Pella 250 Series Classic Sliding Patio Doors, auto-locking hardware, and blinds-between-the-glass give your customers more peace of mind.
- B** Double- and single-hung windows are designed with our unique tamper prevention system, which includes an interlocking checkrail, steel hardware reinforcement, and unique anti-jar sill.
- C** Pella's dual color exterior finishes exceed AAMA 307 test requirements. Pella's vinyl laminate is 2.6x more durable than painted vinyl.*
- D** Optional triple-pane glass and foam insulation increase energy performance. Pella 250 Series offers options that meet or exceed ENERGY STAR® in all 50 states.**
 - Products are tested in state-of-the-art facilities.
 - Optional foam insulation increases energy performance.



*The abrasion resistance of Pella painted and laminate vinyl samples were tested and coatings compared in their ability to withstand a volume of abrasive materials using test method of ASTM D968.

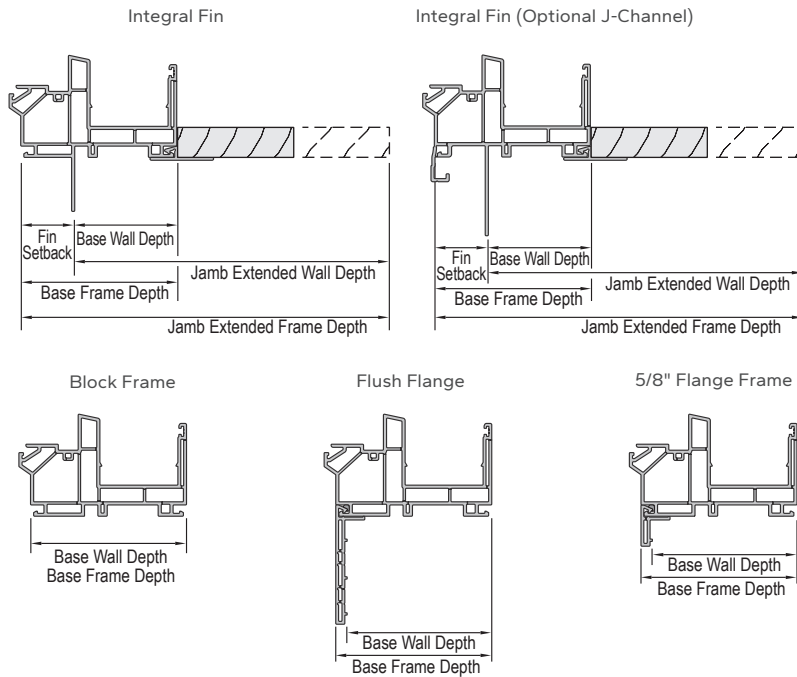
**Some Pella products may not meet ENERGY STAR® guidelines in Canada. For more information, contact your local Pella sales representative or go to energystar.gc.ca.

	Cross Section	Frame / Install	Wall Depth Range	Performance Range
Awning		Block Frame Integral Fin Fin with J-Channel Flush Flange 5/8" Flange frame	Base Frame Depth: 3-1/4" Std. Fin Setback: 1-1/8" Base Wall Depth: 2-1/8" Jamb extended wall depth: 4-9/16" - 6-9/16"	R15 – LC50 U: 0.20 - 0.30 SHGC: 0.17 - 0.44 STC: up to 34
Casement		Block Frame Integral Fin Fin with J-Channel Flush Flange 5/8" Flange frame	Base Frame Depth: 3-1/4" Std. Fin Setback: 1-1/8" Base Wall Depth: 2-1/8" Jamb extended wall depth: 4-9/16" - 6-9/16"	R15 – LC50 U: 0.19 - 0.31 SHGC: 0.17 - 0.53 STC: up to 34
Double-Hung Vent		Block Frame Integral Fin Fin with J-Channel Flush Flange 5/8" Flange frame	Base Frame Depth: 3-1/4" Std. Fin Setback: 1-1/8" Base Wall Depth: 2-1/8" Jamb extended wall depth: 4-9/16" – 6-9/16"	R15 – R50 U: 0.21 – 0.33 SHGC: 0.18 – 0.50 STC: up to 28
Fixed Frame Direct Set		Block Frame Integral Fin Fin with J-Channel Flush Flange 5/8" Flange frame	Base Frame Depth: 3-1/4" Std. Fin Setback: 1-1/8" Base Wall Depth: 2-1/8" Jamb extended wall depth: 4-9/16" – 6-9/16"	R15 – CW50 U: 0.19 – 0.33 SHGC: 0.21 – 0.56 STC: up to 27
Single-Hung		Block Frame Integral Fin Fin with J-Channel Flush Flange 5/8" Flange frame	Base Frame Depth: 3-1/4" Std. Fin Setback: 1-1/8" Base Wall Depth: 2-1/8" Jamb extended wall depth: 4-9/16" – 6-9/16"	R15 – R50 U: 0.20 – 0.32 SHGC: 0.19 – 0.52 STC: up to 28
Sliding Window		Block Frame Integral Fin Fin with J-Channel Flush Flange 5/8" Flange frame	Base Frame Depth: 3-1/4" Std. Fin Setback: 1-1/8" Base Wall Depth: 2-1/8" Jamb extended wall depth: 4-9/16" – 6-9/16"	R15 – R50 U: 0.20 – 0.32 SHGC: 0.19 – 0.52 STC: up to 28
Hinged Patio Door		Block 1" Nail Fin Setback 1-3/8" Nail Fin Setback Flush Flange	Base Frame Depth: 5-1/4" Std. Fin Setback: 1" Base Wall Depth: 4-1/4"	LC25-LC30 U: 0.27 - 0.35 SHGC: 0.16 - 0.24 STC: up to 30
Classic Sliding Patio Door		Block Frame Integral Fin Fin with J-Channel Flush Flange 5/8" Flange frame	Base Frame Depth: 5" Std. Fin Setback: 1-1/8" Base Wall Depth: 3-7/8"	LC35 - LC50 U: 0.22 - 0.40 SHGC: 0.18 - 0.49 STC: up to 32
Standard/Premium Sliding Patio Door		Block 1" Nail Fin Setback 1-3/8" Nail Fin Setback Flush Flange	Base Frame Depth: 5-15/16" Std. Fin Setback: 1" Base Wall Depth: 4-15/16"	R20 - LC25 U: 0.18 - 0.28 SHGC: 0.18 - 0.28 STC: up to 28
Multislide Patio Door		Block 1" Nail Fin Setback 1-3/8" Nail Fin Setback Flush Flange	Frame and Wall Depth varies by number of Panels. Pocketing Doors are Block Frame only. Contact your local Pella sales representative or Pella Architectural Solutions for assistance and additional details.	LC25-LC30 U: 0.18 - 0.28 SHGC: 0.17 - 0.28 STC: up to 30
Bifold Products		Block 1" Nail Fin Setback 1-3/8" Nail Fin Setback Flush Flange	Base Frame Depth: 5-1/4" Std. Fin Setback: 1" Base Wall Depth: 4-1/4"	0 - PG30 U: 0.25 - 0.36 SHGC: 0.16 - 0.27 STC: up to 32

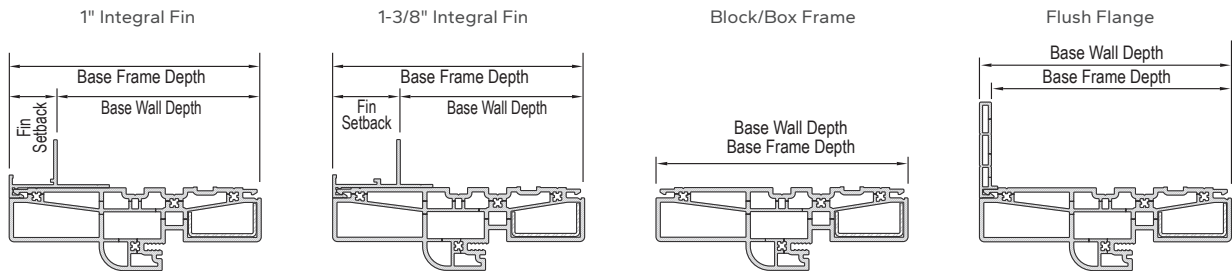
Performance ranges shown are for single-units and do not account for composite units (integral mullion) or combinations (multiple units mulled together). Drawings are not to scale. Not all frame types are available in all regions, please consult your Pella sales representative for details.

Brand Overview

Window Frame Dimensions



Door Frame Dimensions



Window and door frames shown are typical products only and may not apply to specialty windows, custom products or multi-panel patio doors.



For installation instructions visit <https://www.pella.com/professionals/installation-instructions/>

Use this Quick-Read (QR) code with your mobile device for quick access.

You may need to first install a QR code reading app. An Internet connection is required.

Hidden Screens

Meet our exclusive innovation, the Hidden Screen.

The easy-to-use Hidden Screen appears when you open a single-hung, double-hung or sliding window and folds away when the window is closed.

It is a screen like no other — providing easy and convenient access to fresh air and natural light without compromising your view.

Please consult your Pella sales representative for details and current availability.



Drawings are not to scale. Not all frame types are available in all regions, please consult your Pella sales representative for details.

Finishes

Low-maintenance, easy-care vinyl frames with full profile and edge detailing.

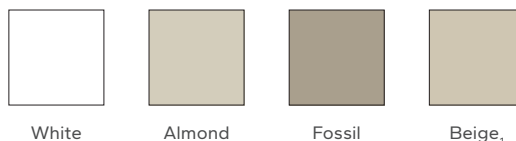
Available Dual Color options that meet AAMA 307 specifications.

Solid-Color Frames (Integral color interior/exterior)



White Almond Fossil Beige₁ Black₂

Color-Matched Hardware Finishes



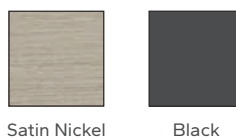
White Almond Fossil Beige₁

Dual-Color Frames (Exterior only with White interior)



Brown Black

Additional Hardware Finishes



Satin Nickel Black

Hardware₂

Standard hardware finishes match the interior color with a powder coated paint finish. Optional metal finishes include a coating to prevent oxidation or tarnishing.

Fold-Away Crank



Awning/Casement crank

Cam-Action Lock



Double-Hung, Single-Hung and Sliding Window (standard)

Autolock



Double-Hung, Single-Hung and Sliding Window (optional)

Integrated Sash Lift



Double- and Single-Hung (standard)

Classic Sliding Patio Doors₃



Classic Interior Handle

Classic Sliding Patio Door Between-the-Glass Fashions



Blind Colors:
White, Slate Gray,
Espresso

Available on classic sliding patio doors with dual-pane glazing only.

Available in standard and non-standard sizes.

Standard and Premium Sliding Patio Doors



White Black Beige Satin Nickel

Folding Window (Passage)



White Black Satin Nickel

Hinged Doors



White Black Satin Nickel

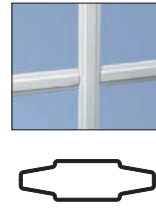
Not all hardware options shown.

- (1) Beige available only on Standard and Premium products.
- (2) Black/Black is an applied color only available on premium products.
- (3) Finish of exterior hardware matches color of exterior door frame.

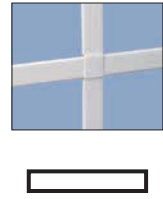
Grilles-Between-the-Glass¹

- Aluminum grilles are permanently sealed between panes of glass for an easy-to-clean smooth glass surface. Choose from two grille profiles.
- Grilles can match the frame or choose from available DuraColor® finish colors.
- Grilles are 5/8" or 3/4" wide.
- Multiple grille patterns are available.

3/4" Contour Grille



5/8" Flat Grille



	Traditional	6-Lite Prairie	9-Lite Prairie	Top Row	Custom Equally Divided
Awning/Casement					
Fixed					
Hung					
Sliding Window					
Classic Sliding Door					

(1) Available with double- or triple-pane insulated glass.

(2) Available with double-pane insulated glass only.

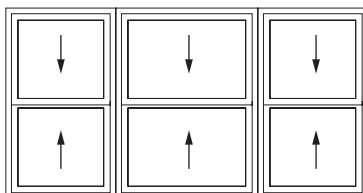
Combination Assemblies

A combination is an assembly formed by two or more separate windows or doors whose frames are mullioned together by a combination or reinforcing mullion. A composite is an assembly of windows inside a single, continuous frame.

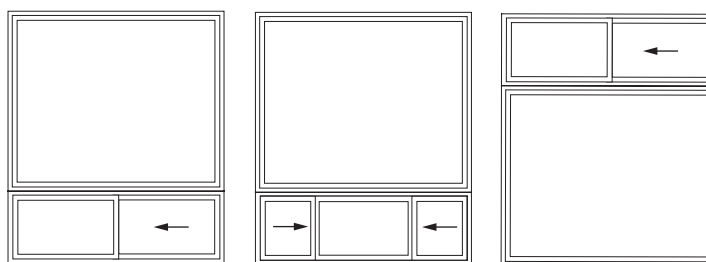
Pella 250 Series products are available in many common configurations. Refer to the Product Application section of this book, Pella.com/professionals or your local Pella sales representative for information on performance and availability.

Window Composite Examples

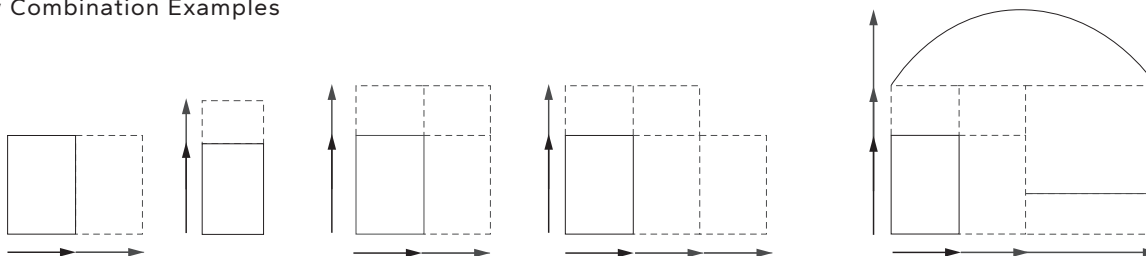
Single and Double Hung



Sliding Window



Window Combination Examples



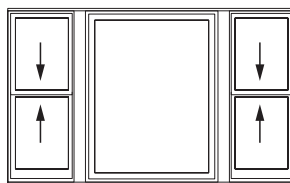
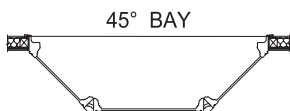
Factory or Site Assembled Combination Parameters

Mullion length limit: 108"

Mullioned product combinations cannot exceed 72 sq. ft.

Mullion reinforcing may be required.

Bay/Bow



Actual mullion span and combination size availability depends on design pressure requirements. Consider combination size, weight and jobsite handling during design.



Pella® 250 Series

Awning Window



Air, Water, & Structural Performance

Performance Class & Grade Rating	Water Penetration Resistance	Air Infiltration	Design Pressure	Forced Entry
R PG15 - LC PG50	5.43 - 7.5 psf	0.10 - 0.13	15 - 50 psf	10

Thermal Performance

Glass Thickness	Type of Glazing (Argon fill)	U-Factor	SHGC	VLT %	CR	EnergyStar® Capable
Dual-Pane - 3mm (3/4" overall glass thickness)	Advanced Low-E IG	0.26 - 0.27	0.23 - 0.25	0.42 - 0.46	59	SC, S
	NaturalSun Low-E IG	0.28	0.39 - 0.44	0.47 - 0.52	54 - 58	—
	NaturalSun+ Low-E IG	0.24	0.38 - 0.42	0.46 - 0.51	45 - 46	CA, N, NC
	SunDefense™ Low-E IG	0.26	0.17 - 0.18	0.39 - 0.43	59	SC, S
	SunDefense+ Low-E IG	0.24	0.17 - 0.18	0.38 - 0.42	46	NC, SC, S
Triple-Pane - 3mm (1" overall glass thickness)	Advanced Low-E IG	0.20 - 0.21	0.19 - 0.21	0.32 - 0.36	68	CA, N, NC, SC, S
	NaturalSun Low-E IG	0.21 - 0.22	0.34 - 0.38	0.42 - 0.46	68	CA, N, NC

Vent Units

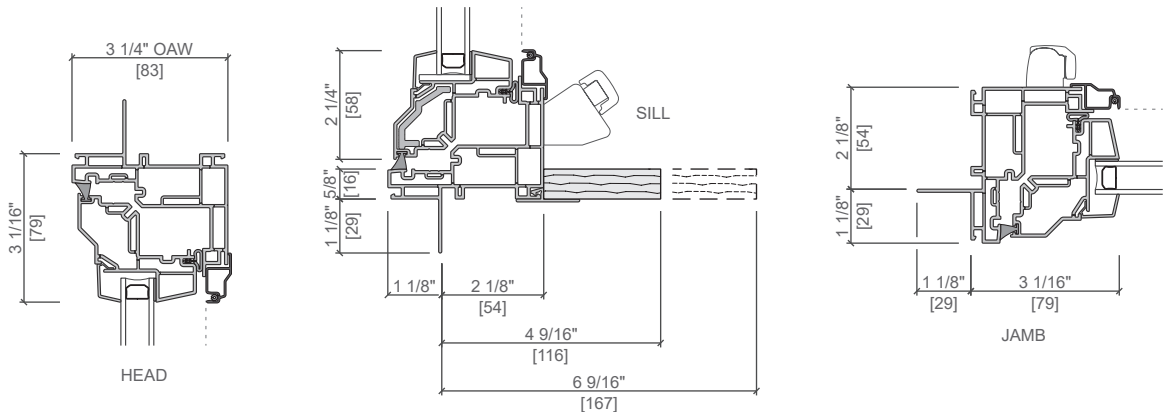
Includes optional foam

Sound Performance

Frame Size Tested	Type of Glazing	STC	OITC
Vent - 59" x 23-1/2"	Dual Pane 3/4"	30	25
Fixed - 59" x 47-1/4"	Overall Glazing Thickness	28	24
Vent - 59" x 23-1/2"	Triple Pane 1" Overall	34	28

Code Approvals: AAMA/WDMA Certified; **FPAS#** FL 26534; **TDI#** WIN-2358

Performance varies based on actual product attributes. See the Performance section earlier in this manual to learn more about performance standards and ratings.



Other frame types are available.

Not to scale. All dimensions are approximate.

Standard Sizes

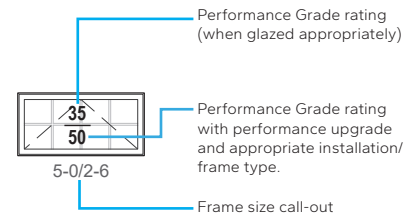
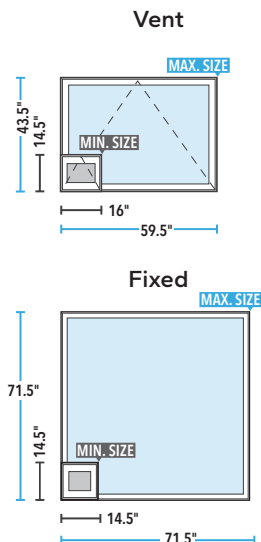
Vent Sizes

	(419) (406)	(457) (445)	(610) (597)	(711) (699)	(762) (749)	(813) (800)	(914) (902)	(1 219) (1 207)	(1 372) (1 359)	(1 524) (1 511)
Opening	1' 4 1/2"	1' 6"	2' 0"	2' 4"	2' 6"	2' 8"	3' 0"	4' 0"	4' 6"	5' 0"
Frame	16"	17 1/2"	23 1/2"	27 1/2"	29 1/2"	31 1/2"	35 1/2"	47 1/2"	53 1/2"	59 1/2"
(381) (368)	1-4/1-3	1-6/1-3	2-0/1-3	2-4/1-3	2-6/1-3	2-8/1-3	3-0/1-3	4-0/1-3	4-6/1-3	5-0/1-3
(457) (445)		1-6/1-6	2-0/1-6	2-4/1-6	2-6/1-6	2-8/1-6	3-0/1-6	4-0/1-6	4-6/1-6	5-0/1-6
(610) (597)			2-0/2-0	2-4/2-0	2-6/2-0	2-8/2-0	3-0/2-0	4-0/2-0	4-6/2-0	5-0/2-0
(711) (699)				2-4/2-4	2-6/2-4	2-8/2-4	3-0/2-4	4-0/2-4	4-6/2-4	5-0/2-4
(762) (749)					2-6/2-6	2-8/2-6	3-0/2-6	4-0/2-6	4-6/2-6	5-0/2-6
(813) (800)						2-8/2-8	3-0/2-8	4-0/2-8	4-6/2-8	5-0/2-8
(914) (902)							3-0/3-0	4-0/3-0	4-6/3-0	5-0/3-0
(1 067) (1 054)								4-0/3-6	4-6/3-6	5-0/3-6
(1 118) (1 105)								4-0/3-8	4-6/3-8	5-0/3-8

Additional fixed standard sizes are available, see online ADM or contact your local Pella sales representative.

Special Sizes

Special sizes are available in 1/8" increments.
Frame height cannot exceed frame width on vent units.



Performance shown does not include all frame types, see online ADM or contact your local Pella sales representative for regional options and their limitations.





Pella® 250 Series

Casement Window



Air, Water, & Structural Performance

Performance Class & Grade Rating	Water Penetration Resistance	Air Infiltration	Design Pressure	Forced Entry
R PG15 - LC PG50	5.25 - 7.5 psf	0.10 - 0.13	15 - 50 psf	10

Thermal Performance

Vent Units

Includes optional foam

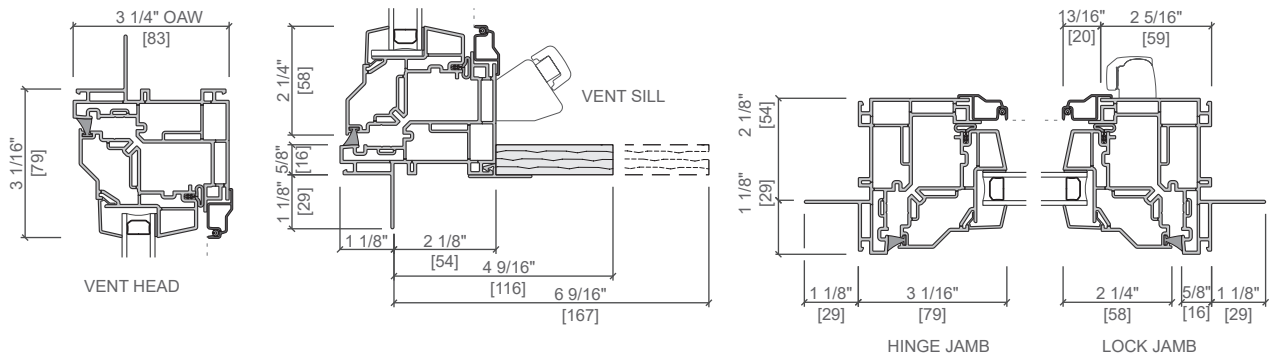
Glass Thickness	Type of Glazing (Argon fill)	U-Factor	SHGC	VLT %	CR	EnergyStar® Capable
Dual-Pane - 3mm (3/4" overall glass thickness)	Advanced Low-E IG	0.26 - 0.27	0.23 - 0.25	0.42 - 0.46	59 - 60	SC, S
	NaturalSun Low-E IG	0.26 - 0.30	0.39 - 0.43	0.47 - 0.52	56 - 60	—
	NaturalSun+ Low-E IG	0.24	0.38 - 0.42	0.46 - 0.51	46	CA, N, NC
	SunDefense™ Low-E IG	0.26	0.17 - 0.18	0.39 - 0.43	60	SC, S
	SunDefense+ Low-E IG	0.22 - 0.23	0.17 - 0.18	0.38 - 0.43	47 - 48	CA, N, NC, SC, S
Triple-Pane - 3mm (1" overall glass thickness)	Advanced Low-E IG	0.20 - 0.21	0.19 - 0.21	0.32 - 0.36	67 - 68	CA, N, NC, SC, S
	NaturalSun Low-E IG	0.21 - 0.22	0.34 - 0.38	0.42 - 0.46	67	CA, N, NC

Sound Performance

Frame Size Tested	Type of Glazing	STC	OITC
Vent - 23-1/2" x 59"	Dual Pane 3/4" Overall 3mm / 3mm glass	30	25
Vent - 23-1/2" x 59"	Dual Pane 1" Overall 5mm / 3mm glass	33	27
Fixed - 47-1/4" x 59"	Dual Pane 3/4" Overall 3mm / 3mm glass	28	24
Fixed - 47-1/4" x 59"	Dual Pane 1" Overall 5mm / 3mm glass	30	25
Vent - 23-1/2" x 59"	Triple Pane 1" Overall 3mm / 3mm / 3mm glass	34	28

Code Approvals: AAMA/WDMA Certified, **FPAS#:** Vent = FL26533; Fixed = FL 26535, **TDI#:** WIN-2357

Performance varies based on actual product attributes. See the Performance section earlier in this manual to learn more about performance standards and ratings.



Other frame types are available.

Not to scale. All dimensions are approximate.

Standard Sizes

Vent Sizes

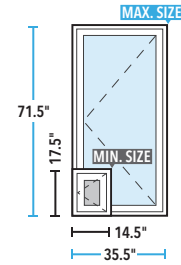
	(381) (368)	(457) (445)	(610) (597)	(711) (699)	(762) (749)	(813) (800)	(914) (902)
Opening	1' 3"	1' 6"	2' 0"	2' 4"	2' 6"	2' 8"	3' 0"
Frame	14 1/2"	17 1/2"	23 1/2"	27 1/2"	29 1/2"	31 1/2"	35 1/2"
1' 6"	1-3/1-6	1-6/1-6					
2' 0"	1-3/2-0	1-6/2-0	2-0/2-0				
2' 4"	1-3/2-4	1-6/2-4	2-0/2-4	2-4/2-4			
2' 6"	1-3/2-6	1-6/2-6	2-0/2-6	2-4/2-6	2-6/2-6		
2' 8"	1-3/2-8	1-6/2-8	2-0/2-8	2-4/2-8	2-6/2-8	2-8/2-8	
3' 0"	1-3/3-0	1-6/3-0	2-0/3-0	2-4/3-0	2-6/3-0	2-8/3-0	3-0/3-0
3' 6"	1-3/3-6	1-6/3-6	2-0/3-6	2-4/3-6	2-6/3-6	2-8/3-6	3-0/3-6
3' 8"	1-3/3-8	1-6/3-8	2-0/3-8	2-4/3-8	2-6/3-8	2-8/3-8	3-0/3-8
4' 0"	1-3/4-0	1-6/4-0	2-0/4-0	2-4/4-0	2-6/4-0	2-8/4-0	3-0/4-0
4' 6"	1-3/4-6	1-6/4-6	2-0/4-6	2-4/4-6	2-6/4-6	2-8/4-6	3-0/4-6
5' 0"	1-3/5-0	1-6/5-0	2-0/5-0	2-4/5-0	2-6/5-0	2-8/5-0	3-0/5-0
5' 6"	1-3/5-6	1-6/5-6	2-0/5-6	2-4/5-6	2-6/5-6	2-8/5-6	3-0/5-6
6' 0"	1-3/6-0	1-6/6-0	2-0/6-0	2-4/6-0	2-6/6-0	2-8/6-0	3-0/6-0

Special Sizes

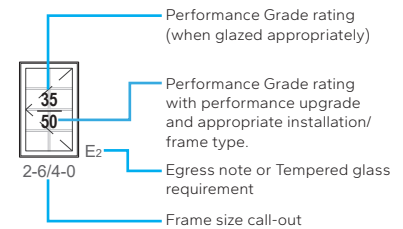
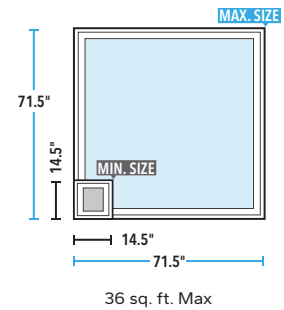
Special sizes are available in 1/8" increments.

Frame width cannot exceed frame height on vent units.

Vent



Fixed



Performance shown does not include all frame types, see online ADM or contact your local Pella sales representative for regional options and their limitations.

Egress Notes:

- E = Window meets minimum clear opening of 24" height, 20" width, and 5.7 ft².
- E1 = Window meets minimum clear opening of 24" height, 20" width, and 5.0 ft².
- E2 = With optional side pivot hardware, window meets minimum clear opening of 24" height, 20" width, and 5.7 ft².
- E3 = With optional side pivot hardware, window meets minimum clear opening of 24" height, 20" width, and 5.0 ft².

Check all applicable local codes for emergency egress requirements.

Egress units meet International Residential Code (IRC) and Uniform Dwelling Code (UDC).

Additional fixed standard sizes are available, see online ADM or contact your local Pella sales representative. Use the QR code for quick access or visit www.Pella.com.





Pella® 250 Series

Double-Hung Window



Air, Water, & Structural Performance

Performance Class & Grade Rating	Water Penetration Resistance	Air Infiltration	Design Pressure	Forced Entry
R-PG15 - R-PG50	3.14 - 7.52 psf	0.10 - 0.13	15 - 50 psf	40

Thermal Performance

Glass Thickness	Type of Glazing (Argon fill)	U-Factor	SHGC	VLT %	CR	EnergyStar® Capable
Dual-Pane - 3mm (3/4" glass thickness)	Advanced Low-E IG	0.28 - 0.30	0.25 - 0.28	0.47 - 0.53	57 - 58	—
	NaturalSun Low-E IG	0.29 - 0.30	0.44 - 0.50	0.53 - 0.59	57	—
	NaturalSun+ Low-E IG	0.25 - 0.26	0.42 - 0.47	0.52 - 0.58	45	CA, N
	SunDefense™ Low-E IG	0.27 - 0.29	0.19 - 0.21	0.43 - 0.49	58	SC, S
	SunDefense+ Low-E IG	0.24 - 0.25	0.18 - 0.20	0.42 - 0.47	46 - 47	NC, SC, S
Triple-Pane - 3mm (1" glass thickness)	Advanced Low-E IG	0.21 - 0.23	0.21 - 0.24	0.36 - 0.41	65 - 66	CA, N, NC, SC, S
	NaturalSun Low-E IG	0.22 - 0.24	0.38 - 0.42	0.47 - 0.52	65 - 66	CA, N, NC

Vent Units

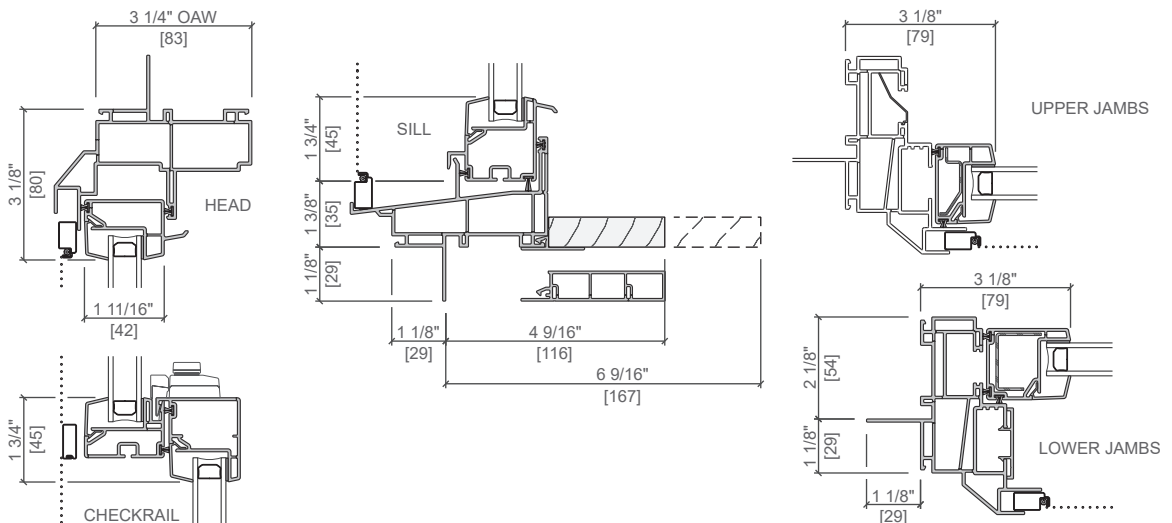
Includes optional foam and structural reinforcement

Sound Performance

Frame Size Tested	Type of Glazing	STC	OITC
Vent - 48" x 60"	Dual-Pane 11/16" Overall 2.5mm / 2.5mm glass	26	22
Vent - 48" x 60"	Triple-Pane 1" Overall 3mm / 3mm / 3mm glass	28	24

Code Approvals: AAMA/WDMA Certified, **FPAS#**: FL16813; **TDI#**: WIN-1955

Performance varies based on actual product attributes. See the Performance section earlier in this manual to learn more about performance standards and ratings.



Other frame types are available. Not to scale. All dimensions are approximate.

Standard Sizes

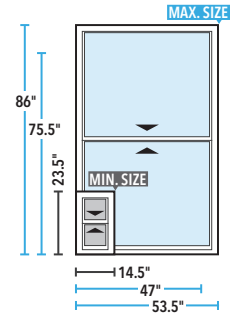
1-Wide Vent		(710)	(762)	(813)	(914)	(965)	(1 067)	(1 219)	(1 372)	
		(699)	(749)	(800)	(902)	(953)	(1 054)	(1 207)	(1 359)	
Opening		2' 4"	2' 6"	2' 8"	3' 0"	3' 2"	3' 6"	4' 0"	4' 6"	
Frame		27 1/2"	29 1/2"	31 1/2"	35 1/2"	37 1/2"	41 1/2"	47 1/2"	53 1/2"	
Standard frame widths are available in 23-1/2" (2-0) sizes	3' 0"	(914) (902)	35 50	35 50	35 50	35 50	30 50	30 50	30 50	20
	3' 2"	(965) (953)	35 50	35 50	35 50	35 50	30 50	30 50	30 50	20
	3' 6"	(1 067) (1 054)	35 50	35 50	35 50	35 50	30 50	30 50	30 50	20
	3' 10"	(1 168) (1 156)	35 50	35 50	35 50	35 50	30 50	30 50	30 50	20
	4' 0"	(1 219) (1 207)	35 50	35 50	35 50	35 50	30 50	30 50	30 50	20
	4' 4"	(1 321) (1 308)	35 50	35 50	35 50	35 50	30 50	30 50	30 50	20
	4' 6"	(1 372) (1 359)	35 50	35 50	35 50	35 50	30 50	30 50	30 50	20
	5' 0"	(1 524) (1 511)	35 50	35 50	35 50	35 50	30 50	30 50	30 50	20
	5' 2"	(1 575) (1 562)	35 50	35 50	35 50	35 50	30 50	30 50	30 50	20
	5' 6"	(1 676) (1 664)	30 50	30 50	30 50	30 50	20 50	20 50	20 50	30
	6' 0"	(1 829) (1 816)	30 50	30 50	30 50	30 50	20 50	20 50	20 50	30
	6' 6"	(1 981) (1 969)	20 50	20 50	20 50	20 50	20 50	20 50	20 50	20
			2-4/3-0	2-6/3-0	2-8/3-0	3-0/3-0	3-2/3-0	3-6/3-0	4-0/3-0	4-6/3-0
			2-4/3-2	2-6/3-2	2-8/3-2	3-0/3-2	3-2/3-2	3-6/3-2	4-0/3-2	4-6/3-2
			2-4/3-6	2-6/3-6	2-8/3-6	3-0/3-6	3-2/3-6	3-6/3-6	4-0/3-6	4-6/3-6
			2-4/3-10	2-6/3-10	2-8/3-10	3-0/3-10	3-2/3-10	3-6/3-10	4-0/3-10	4-6/3-10
		2-4/4-0	2-6/4-0	2-8/4-0	3-0/4-0	3-2/4-0	3-6/4-0	4-0/4-0	4-6/4-0	
		2-4/4-4	2-6/4-4	2-8/4-4	3-0/4-4	3-2/4-4	3-6/4-4	4-0/4-4	4-6/4-4	
		2-4/4-6	2-6/4-6	2-8/4-6	3-0/4-6	3-2/4-6	3-6/4-6	4-0/4-6	4-6/4-6	
		2-4/5-0	2-6/5-0	2-8/5-0	3-0/5-0	3-2/5-0	3-6/5-0	4-0/5-0	4-6/5-0	
		2-4/5-2	2-6/5-2	2-8/5-2	3-0/5-2	3-2/5-2	3-6/5-2	4-0/5-2	4-6/5-2	
		2-4/5-6	2-6/5-6	2-8/5-6	3-0/5-6	3-2/5-6	3-6/5-6	4-0/5-6	4-6/5-6	
		2-4/6-0	2-6/6-0	2-8/6-0	3-0/6-0	3-2/6-0	3-6/6-0	4-0/6-0	4-6/6-0	
		2-4/6-6	2-6/6-6	2-8/6-6	3-0/6-6	3-2/6-6	3-6/6-6	4-0/6-6	4-6/6-6	

Special Sizes

Special sizes are available in 1/8" increments.

Two-wide and Three-wide composites or combinations are available. See online ADM for size limitations

Vent (Equal Sash)

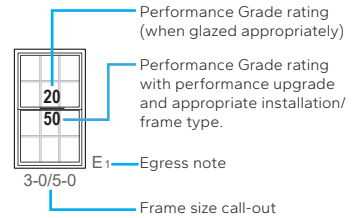


Vent Cottage Sash Split

Minimum: 14.5" Wide x 28.5" High
Maximum: 53.5" Wide x 72.5" High

Vent Contemporary Sash Split

Minimum: 14.5" Wide x 28.5" High
Maximum: 53.5" Wide x 72.5" High
or 48" Wide x 72.5" High
or 53.5" Wide x 64.5" High



Performance shown does not include all frame types, see online ADM or contact your local Pella sales representative for regional options and their limitations.

Egress Notes:

- E = Window meets minimum clear opening of 24" height, 20" width, and 5.7 ft².
- E1 = Window meets minimum clear opening of 24" height, 20" width, and 5.0 ft².

Check all applicable local codes for emergency egress requirements.





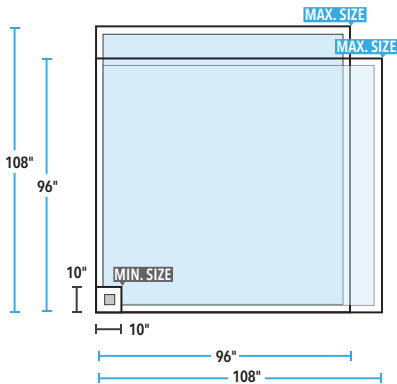
Pella® 250 Series

Fixed Window



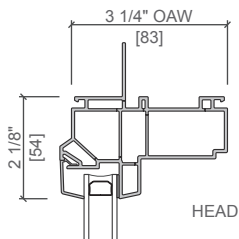
Fixed - Rectangular

Sizes are available in 1/8" increments.
 Rectangular Special Sizes Maximum 40 sq. ft.



MINIMUM MW, NE Regions
 11-1/2" W x 11-1/2" H
 (292 x 292)

MINIMUM W, SW, SE, S Regions
 10" W x 10" H
 (254 x 254)



Other frame types are available.
 Not to scale. All dimensions are approximate.

Fixed Shapes

Curved Shapes Frame Dimensions				
Description	Width		Height	
	Min.	Max.	Min.	Max.
Half Circle 	MW, NE Regions			
	29.5"	95.5"	14.5"	47.5"
	W, SW, S, SE Regions			
	23.5"	95.5"	11.5"	47.5"
Quarter Circle 	All Regions			
	23.5"	73.5"	23.5"	73.5"
Springline 	MW, NE Regions			
	29.5"	95.5"	20.5"	108"
	W, SW, S, SE Regions			
	23.5"	95.5"	17.75"	108"
Arch Head 	MW, NE Regions			
	17.5"	95.5"	17.5"	108"
	W, SW, S, SE Regions			
	17.5"	95.5"	11.5"	108"
Partial Arch Head 	MW, NE Regions			
	17.5"	95.5"	17.5"	108"
	W, SW, S, SE Regions			
	17.5"	95.5"	11.5"	108"
Full Circle 	All Regions			
	29.5"	73.5"	29.5"	73.5"

Both width and height cannot be > than 73-1/2"

All curved shapes are available up to a maximum of 40 sq. ft. when measured as a rectangle.

Bronze glass: limited to 22 sq. ft.

See the online ADM for complete details and limitations.
 Use the QR code for quick access or visit www.Pella.com.

Angled Shapes Frame Dimensions				
Description	Width		Height	
	Min.	Max.	Min.	Max.
Left & Right Gable 	11.5"	108"	11.5"	108"
House Top 	17.5"	108"	11.5"	108"
Left & Right 90° Triangle 	23.5"	108"	11.5"	108"
Octagon 	17.5"	73.5"	17.5"	73.5"

Both width and height cannot be > than 73-1/2"

Bronze glass: limited to 22 sq. ft.

If long side is ≤ 95-1/2", width and height ratio ≤ 8:1

If long side is > 95-1/2", width and height ratio < 5:1

Minimum overall width plus overall height is 29"

Maximum frame width with 9-Lite Prairie grille = 72"

Minimum leg length is 5-1/2"

Minimum corner angle is 40°

If glass width/height ratio is > 5:1, then glass must be tempered

Fixed - Rectangular and Curved Shapes

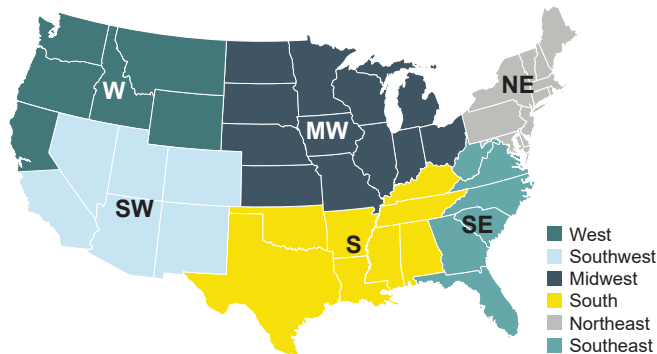
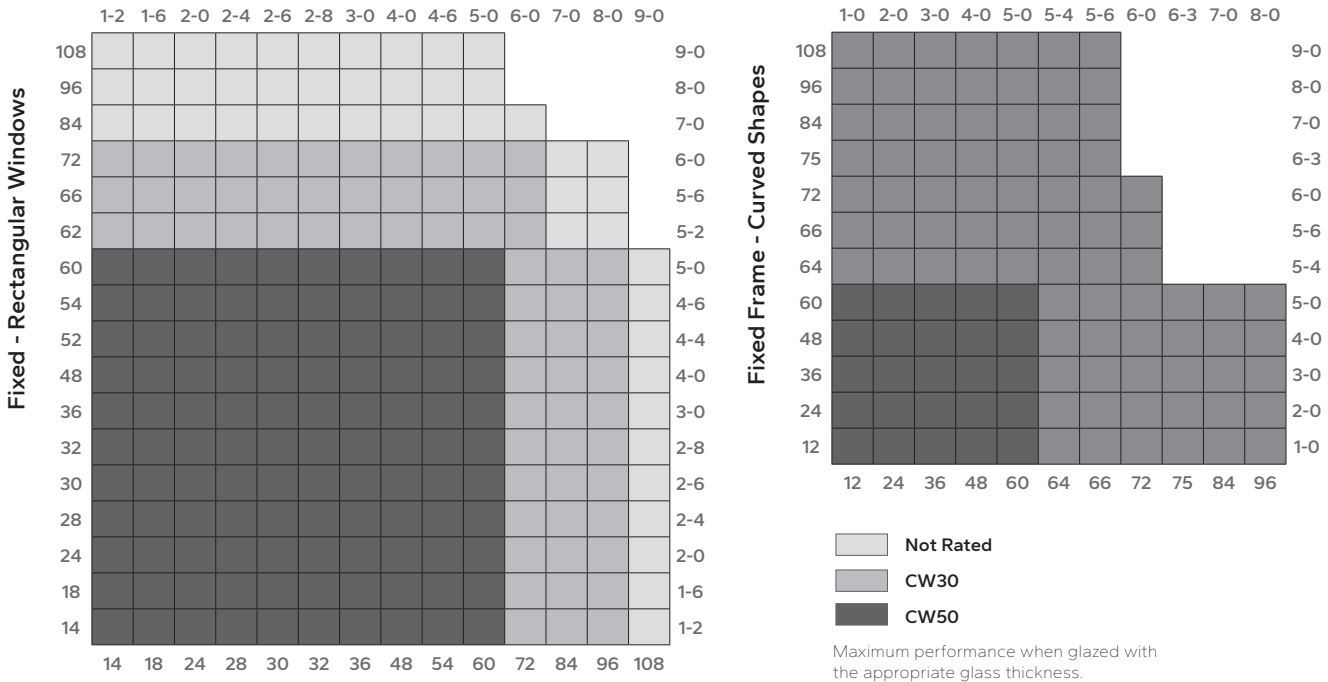
Air, Water, & Structural Performance	Performance Class & Grade Rating	Water Penetration Resistance	Air Infiltration	Design Pressure	Forced Entry
	R-PG15 - CW-PG50	4.60 - 7.52 psf	0.01 - 0.13	15 - 50 psf	40

Thermal Performance	Glass Thickness	Type of Glazing (Argon fill)	U-Factor	SHGC	VLT %	CR	EnergyStar® Capable
	Dual-Pane - 3mm (3/4" overall glass thickness)	Advanced Low-E IG	0.26	0.28 - 0.31	0.53 - 0.59	60	—
		NaturalSun Low-E IG	0.27	0.49 - 0.56	0.60 - 0.67	60	CA
NaturalSun+ Low-E IG		0.23	0.48 - 0.53	0.59 - 0.65	46	CA, N	
SunDefense™ Low-E IG		0.26	0.21 - 0.23	0.49 - 0.55	61	SC, S	
SunDefense+ Low-E IG		0.22	0.21 - 0.23	0.48 - 0.53	48	N, NC, SC, S	
Triple-Pane - 3mm (1" glass thickness)	Advanced Low-E IG	0.19 - 0.20	0.24 - 0.27	0.41 - 0.46	68	CA, N, NC	
	NaturalSun Low-E IG	0.20	0.43 - 0.48	0.53 - 0.59	68	CA, N	

Sound Performance	Frame Size Tested	Type of Glazing		STC	OITC
	48" x 60"	Dual-Pane, 3/4" Overall	3mm / 3mm glass	26	22
	48" x 60"	Triple-Pane, 1" Overall	3mm / 3mm / 3mm glass	27	22

Code Approvals: AAMA/WDMA Certified; Fixed=FL16811; TDI#: Fixed=WIN-1956

Performance varies based on actual product attributes. See the Performance section earlier in this manual to learn more about performance standards and ratings.



Maximum performance when glazed with the appropriate glass thickness.

Performance shown does not include all frame types, see online ADM or contact your local Pella sales representative for regional options and their limitations.

Use the QR code for quick access to online ADM documents or visit www.Pella.com.

Table(s) above show nominal frame size in inches, equal to rough-opening size. **Deduct 1/2" for actual frame size.**

Standard sizes shown, unless noted otherwise. Special sizes are available in 1/8" increments.

Maximum performance when glazed with the appropriate glass. For special size units, use the performance class and grade for the next larger standard size unit.





Pella® 250 Series

Single-Hung Window



Air, Water, & Structural Performance

Performance Class & Grade Rating	Water Penetration Resistance	Air Infiltration	Design Pressure	Forced Entry
R-PG15 - R-PG50	5.43 - 7.52 psf	0.13 - 0.14	15 - 50 psf	40

Thermal Performance

Glass Thickness	Type of Glazing (Argon fill)	U-Factor	SHGC	VLT %	CR	EnergyStar® Capable
Dual-Pane-3mm (3/4" overall glass thickness)	Advanced Low-E IG	0.27 - 0.28	0.26 - 0.29	0.49 - 0.55	58	—
	NaturalSun Low-E IG	0.28 - 0.29	0.46 - 0.52	0.55 - 0.62	57	—
	NaturalSun+ Low-E IG	0.24 - 0.25	0.44 - 0.49	0.54 - 0.61	45 - 46	CA, N
	SunDefense™ Low-E IG	0.27 - 0.28	0.20 - 0.22	0.45 - 0.51	58 - 59	SC, S
	SunDefense+ Low-E IG	0.23 - 0.24	0.19 - 0.21	0.44 - 0.49	47	NC, SC, S
Triple-Pane-3mm (1" overall glass thickness)	Advanced Low-E IG	0.20 - 0.22	0.22 - 0.25	0.38 - 0.43	66 - 67	CA, N, NC, SC, S
	NaturalSun Low-E IG	0.21 - 0.23	0.40 - 0.44	0.49 - 0.55	66	CA, N, NC

Vent Units

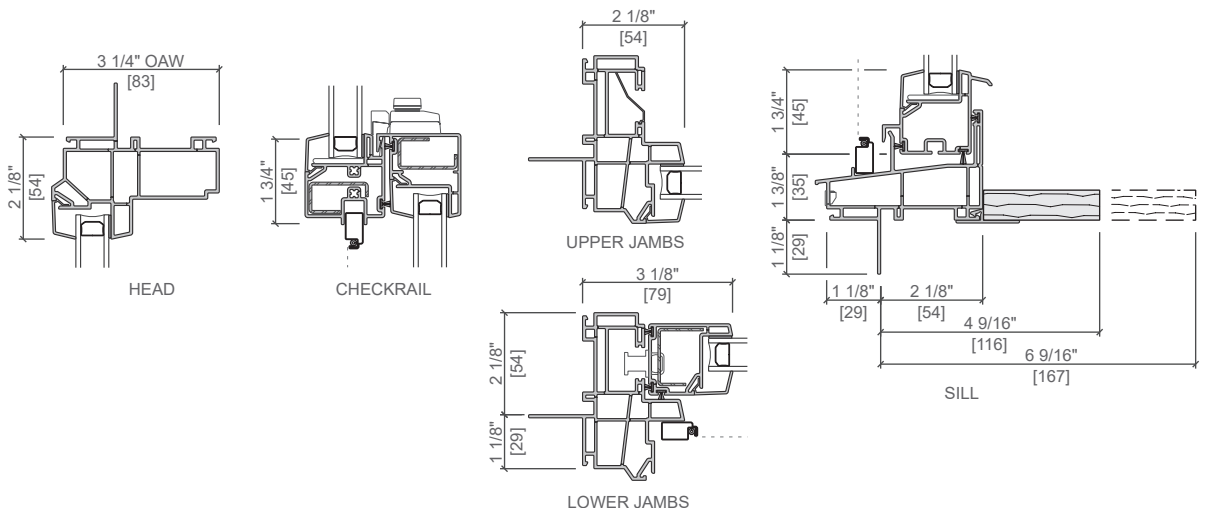
Includes optional foam and structural reinforcement

Sound Performance

Frame Size Tested	Type of Glazing	STC	OITC
Vent - 48" x 60"	Dual-Pane 11/16" Overall 2.5mm / 2.5mm glass	25	22
Vent - 48" x 60"	Triple-Pane 1" Overall 3mm / 3mm / 3mm glass	28	23

Code Approvals: AAMA/WDMA Certified, **FPAS#** FL16812, **TDI#** WIN-1957

Performance varies based on actual product attributes. See the Performance section earlier in this manual to learn more about performance standards and ratings.

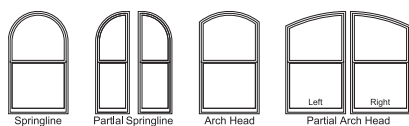


Other frame types are available. Not to scale. All dimensions are approximate.

Standard Sizes

1-Wide Vent	(710) (699)	(762) (749)	(813) (800)	(914) (902)	(965) (953)	(1 067) (1 054)	(1 219) (1 207)	(1 372) (1 359)
Opening	2' 4"	2' 6"	2' 8"	3' 0"	3' 2"	3' 6"	4' 0"	4' 6"
Frame	27 1/2"	29 1/2"	31 1/2"	35 1/2"	37 1/2"	41 1/2"	47 1/2"	53 1/2"
(914) (902)	35 50	35 50	35 50	35 50	35 50	35 50	35 50	50*
(965) (953)	35 50	35 50	35 50	35 50	35 50	35 50	35 50	50*
(1 067) (1 054)	35 50	35 50	35 50	35 50	35 50	35 50	30 50	50*
(1 168) (1 156)	35 50	35 50	35 50	35 50	35 50	35 50	35 50	50*
(1 219) (1 207)	35 50	35 50	35 50	35 50	35 50	35 50	30 50	50*
(1 321) (1 308)	35 50	35 50	35 50	35 50	35 50	35 50	35 50	50*
(1 372) (1 359)	35 50	35 50	35 50	35 50	35 50	35 50	35 50	50*
(1 524) (1 511)	35 50	35 50	35 50	35 50	35 50	35 50	35 50	50*
(1 575) (1 562)	35 50	35 50	35 50	35 50	35 50	35 50	35 50	50*
(1 676) (1 664)	35 50	35 50	35 50	35 50	35 50	35 50	35 50	50*
(1 829) (1 816)	35 50	35 50	35 50	35 50	35 50	35 50	35 50	50*
(1 981) (1 969)	35 50	35 50	35 50	35 50	35 50	35 50	35 50	50*

Standard frame widths are available in 23-1/2" (2-0) sizes



Pella 250 Series single-hung windows are available in curved shapes in West, Southwest, South, Southeast Regions. Contact your local Pella sales representative or see the online ADM for complete details. Use the QR code for quick access or visit www.Pella.com.

Special sizes available may vary depending on glazing configuration, sizes shown are for annealed glass. For complete details of sizes and configurations available in various regions, please see the on-line ADM or consult your local Pella sales representative.

Special Sizes

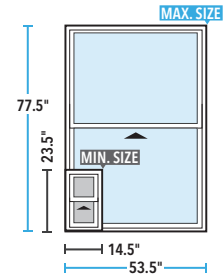
Special sizes are available in 1/8" increments.

For special size units, use the performance class and grade for the next larger standard size unit.

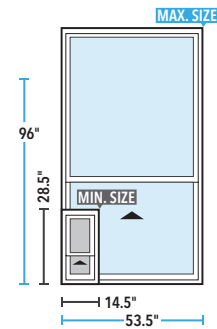
Two- and three-wide composites and combinations are available.

Maximum frame area for single and two-wide composites = 48 Ft²

Vent (Equal Sash)



Vent (Contemporary Sash)



Vent - Cottage Sash

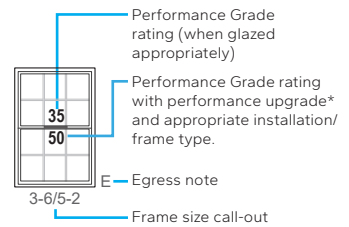
Minimum: 14.5" Wide x 28.5" High
Maximum: 53.5" Wide x 65.5" High

Vent - 24" Sash

Minimum: 14.5" Wide x 47.625" High
Maximum: 53.5" Wide x 65.5" High

Vent - 30" Sash

Minimum: 14.5" Wide x 59.625" High
Maximum: 53.5" Wide x 65.5" High



* Available only by selecting Performance Upgrade option and using appropriate installation/frame type.

Performance shown does not include all frame types, see online ADM or contact your local Pella sales representative for regional options and their limitations.

Egress Notes:

E = Window meets minimum clear opening of 24" height, 20" width, and 5.7 ft².

E1 = Window meets minimum clear opening of 24" height, 20" width, and 5.0 ft².

Check all applicable local codes for emergency egress requirements.





Pella® 250 Series

Sliding Window



Air, Water, & Structural Performance

Performance Class & Grade Rating	Water Penetration Resistance	Air Infiltration	Design Pressure	Forced Entry
R-PG15 – R-PG50	3.76 – 7.52 psf	0.13	15 - 50 psf	10

Thermal Performance

Glass Thickness	Type of Glazing (Argon fill)	U-Factor	SHGC	VLT %	CR	EnergyStar® Capable
Dual-Pane - 3mm (3/4" overall glass thickness)	Advanced Low-E IG	0.27 - 0.28	0.26 - 0.29	0.49 - 0.55	58 - 59	—
	NaturalSun Low-E IG	0.28 - 0.32	0.46 - 0.52	0.55 - 0.62	58	—
	NaturalSun+ Low-E IG	0.24 - 0.25	0.44 - 0.49	0.54 - 0.61	45	CA, N
	SunDefense™ Low-E IG	0.27	0.20 - 0.22	0.45 - 0.51	59	SC, S
	SunDefense+ Low-E IG	0.23 - 0.24	0.19 - 0.21	0.44 - 0.50	47	NC, SC, S
Triple-Pane - 3mm (1" overall glass thickness)	Advanced Low-E IG	0.20 - 0.22	0.22 - 0.25	0.38 - 0.43	66	CA, N, NC, SC, S
	NaturalSun Low-E IG	0.21 - 0.22	0.40 - 0.44	0.49 - 0.55	65	CA, N, NC

Vent Units

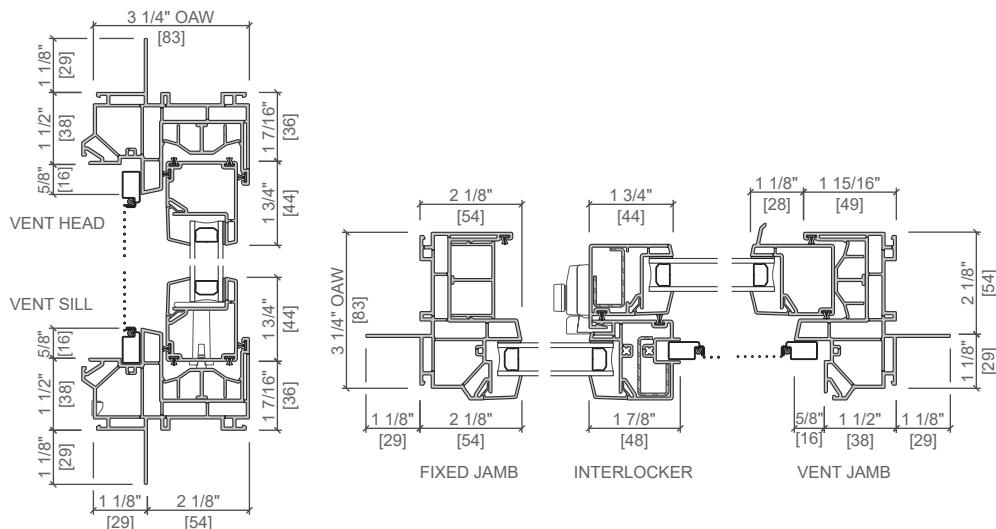
Includes optional foam

Sound Performance

Frame Size Tested	Type of Glazing	STC	OITC
OX/XO Vent - 60" x 48"	Dual-Pane 13/16" Overall 2.5mm / 2.5mm glass	25	22
OX/XO Vent - 60" x 48"	Triple-Pane 1" Overall 3mm / 3mm / 3mm glass	28	23

Code Approvals: AAMA/WDMA Certified; **FPAS#**: FL16809; **TDI#**: WIN-1951

Performance varies based on actual product attributes. See the Performance section earlier in this manual to learn more about performance standards and ratings.



Other frame types are available. Not to scale. All dimensions are approximate.

Standard Sizes

Vent-Fixed Units (XO)

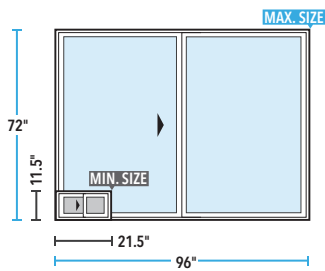
	(610) (597)	(914) (902)	(1 219) (1 207)	(1 372) (1 359)	(1 524) (1 511)	(1 829) (1 816)	(1 981) (1 969)
Opening	2' 0"	3' 0"	4' 0"	4' 6"	5' 0"	6' 0"	6' 6"
Frame	23 1/2"	35 1/2"	47 1/2"	53 1/2"	59 1/2"	71 1/2"	77 1/2"
(610) (597)	2-0/2-0	3-0/2-0	4-0/2-0	4-6/2-0	5-0/2-0	6-0/2-0	6-6/2-0
(762) (749)	2-0/2-6	3-0/2-6	4-0/2-6	4-6/2-6	5-0/2-6	6-0/2-6 E1	6-6/2-6 E
(914) (902)	2-0/3-0	3-0/3-0	4-0/3-0	4-6/3-0	5-0/3-0 E1	6-0/3-0 E	6-6/3-0 E
(1 067) (1 054)		3-0/3-6	4-0/3-6	4-6/3-6 E1	5-0/3-6 E	6-0/3-6 E	6-6/3-6 E
(1 219) (1 207)		3-0/4-0	4-0/4-0	4-6/4-0 E	5-0/4-0 E	6-0/4-0 E	6-6/4-0 E
(1 372) (1 359)		3-0/4-6	4-0/4-6	4-6/4-6 E	5-0/4-6 E	6-0/4-6 E	6-6/4-6 E
(1 524) (1 511)	3-0/5-0	4-0/5-0	4-6/5-0 E	5-0/5-0 E	6-0/5-0 E	6-6/5-0 E	6-6/5-0 E

Special Sizes

Special sizes are available in 1/8" increments

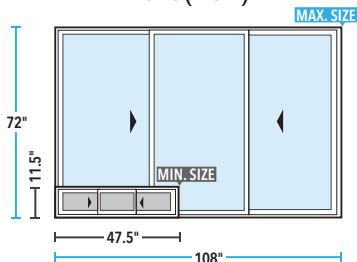
Frame area cannot be greater than 40 Ft² on 2-panel dual pane annealed units or greater than 50 Ft² on 3-panel dual pane annealed units.

Vent (OX or XO)



Maximum Frame Height ≤ Frame Width x 1.75

Vent (XOX)

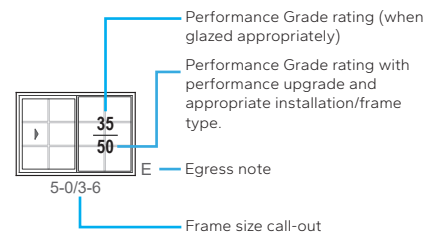


Sash split options are 1/4 width and 1/3 width of frame

1/4 Vent XOX Units: Max frame height ≤ frame width x 0.875

1/3 Vent XOX Units: Max frame height ≤ frame width x 1.167

Please consult your local Pella sales representative for additional size details and current availability.



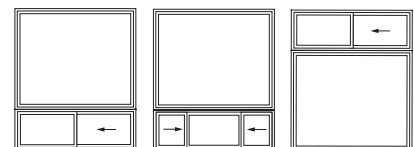
Performance shown does not include all frame types, see online ADM or contact your local Pella sales representative for regional options and their limitations.

Egress Notes:

E = Window meets minimum clear opening of 24" height, 20" width, and 5.7 ft².

E1 = Window meets minimum clear opening of 24" height, 20" width, and 5.0 ft².

Check all applicable local codes for emergency egress requirements.



Composite Fixed over XO or OX and Fixed over XOX units are available, see the on-line ADM or contact your local sales representative for details.





Pella® 250 Series

Premium Hinged Patio Doors



Air, Water, & Structural Performance

Performance Class & Grade Rating	Water Penetration Resistance	Air Infiltration	Design Pressure	Forced Entry ₁
LC-PG25 - PG30	3.76 - 4.59 psf	1.6 psf	25 - 30 psf	Meets AAMA 1304

Thermal Performance

Vent Units

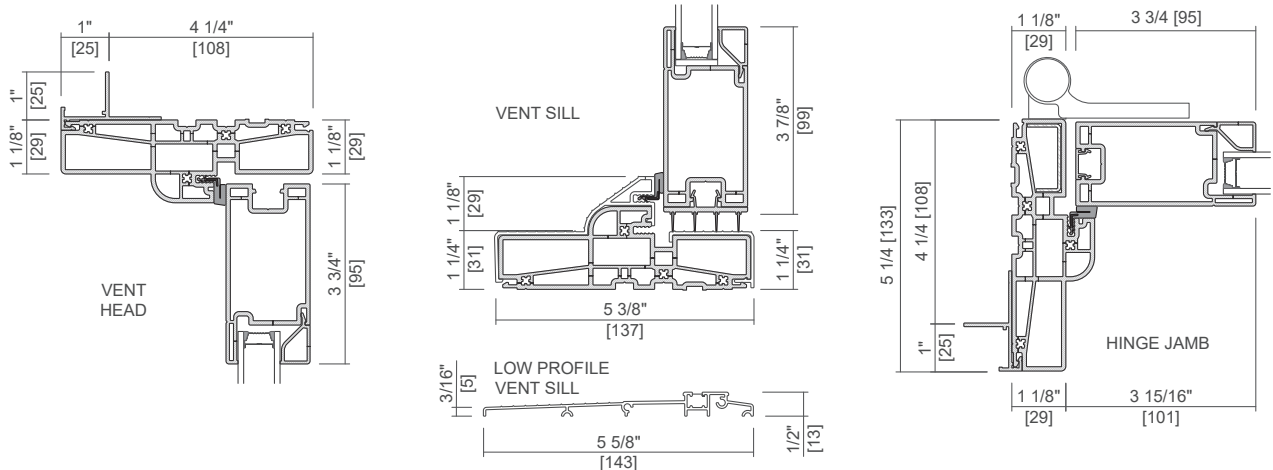
Glass Thickness	Type of Glazing (Argon fill)	U-Factor	SHGC	VLT %	CR	EnergyStar® Capable
In-Swing, Dual-Pane 7/8" overall glass thickness	Advanced Low-E IG	0.35	0.24	0.44 - 0.45	46	—
	SunDefense™ Low-E IG	0.34 - 0.35	0.18	0.41 - 0.42	46	—
In-Swing, Triple-Pane 1-1/4" overall glass thickness	Advanced Low-E IG	0.28	0.16	0.30	45	SC, S
	SunDefense™ Low-E IG	0.27	0.16	0.30	45	SC, S
Out-Swing, Dual-Pane 7/8" overall glass thickness	Advanced Low-E IG	0.35	0.24	0.44 - 0.45	46	—
	SunDefense™ Low-E IG	0.34 - 0.35	0.18	0.41 - 0.42	46	—
Out-Swing, Triple-Pane 1-1/4" overall glass thickness	Advanced Low-E IG	0.28	0.16	0.30	45	SC, S
	SunDefense™ Low-E IG	0.27	0.16	0.30	45	SC, S

Sound Performance

Frame Size Tested	Type of Glazing		STC	OITC
—	Dual-Pane 7/8" Overall	3mm / 3mm glass	30	25
	Triple-Pane 1-1/4" Overall	3mm / 3mm / 3mm glass	30	25

Code Approvals: AAMA/WDMA Certified

Performance varies based on actual product attributes. See the Performance section earlier in this manual to learn more about performance standards and ratings.



Single In-Swing Shown, other frame types are available. Not to scale. All dimensions are approximate.

Standard Sizes

Unit	Venting	Clear Opening (Inches) ₁				Vent Area (Standard Sill) Ft ²	Vent Area (Low-Profile Sill) Ft ²	Visible Glass Ft ²		Performance Class & Grade ₂
		Width @ 172°	Width @ 90°	Standard Sill Height	Low-Profile Sill Height			Standard Sill	Low-Profile Sill	
In-Swing										
3396	L/R	29.1	27.6	91.6	93.4	18.5	18.9	13.3	13.4	LC25
3996	L/R	35.1	33.6	91.6	93.4	22.3	22.8	16.9	17.0	LC25
6496	AP/PA	58.3	55.1	91.6	93.4	37.0	37.8	13.3	13.4	LC25
7696	AP/PA	70.3	67.1	91.6	93.4	44.7	45.6	16.9	17.0	LC25
Out-Swing										
3396	L/R	29.1	27.6	91.2	93.0	18.4	18.8	13.3	13.4	LC30
3996	L/R	35.1	33.6	91.2	93.0	22.2	22.7	16.9	17.0	LC30
6496	AP/PA	58.3	55.1	91.2	93.0	36.9	37.6	13.3	13.4	LC25
7696	AP/PA	70.3	67.1	91.2	93.0	44.5	45.4	16.8	17.0	LC25

Maximum performance when glazed with the appropriate glass thickness.

Special Sizes

Type	Frame Dimensions				Panel Dimensions				
	Min. Width	Min. Height	Max. Width	Max. Height	Min. Width	Min. Height	Max. Width	Max. Height	Max. Area
Single Door Out-Swing Left or Right	21-9/16" (548)	32-5/8" (829)	44-9/16" (1132)	102" (2 591)	19" (483)	30" (762)	42" (1 067)	99-3/8" (2 524)	24 sq ft. (2.2 sq m)
Single Door In-Swing Left or Right	21-9/16" (548)	32-7/8" (835)	44-9/16" (1132)	102" (2 591)	19" (483)	29-13/16" (757)	42" (1 067)	98-15/16" (2 513)	24 sq ft. (2.2 sq m)
Double Door Out-Swing Left or Right Primary	41-7/16" (1 053)	32-5/8" (829)	87-3/8" (2 219)	102" (2 591)	19" (483)	30" (762)	42" (1 067)	99-3/8" (2 524)	24 sq ft. (2.2 sq m)
Double Door In-Swing Left or Right Primary	41-7/16" (1 053)	32-7/8" (835)	87-3/8" (2 219)	102" (2 591)	19" (483)	29-13/16" (757)	42" (1 067)	98-15/16" (2 513)	24 sq ft. (2.2 sq m)
Transom	23-3/8" (594)	17-3/8" (441)	96" (2 438)	45-1/8" (1 146)	NA	NA	NA	NA	NA
Sidelite	17-5/16" (440)	23-3/8" (594)	45-1/8" (1 146)	102" (2 591)	NA	NA	NA	NA	NA

Special sizes are available within the parameters shown on 1/16" increments.

FH = Rough Opening - 0.5"; FW = Rough Opening - 0.5"

Max frame height measurements apply only to units with standard sills.

The combined frame width and frame height cannot exceed a panel square footage of 24 sq. ft.

Fixed Sidelight and Fixed Transom Min & Max sizes are intended for combination units only, stand-alone units are not available.





Pella® 250 Series

Classic Sliding Patio Door



Air, Water, & Structural Performance

Performance Class & Grade Rating	Water Penetration Resistance	Air Infiltration	Design Pressure	Forced Entry ¹
SGD - LC35 – LC50	5.25 – 7.52 psf	0.14	35 - 50 psf	25 / 40

Thermal Performance

Glass Thickness	Type of Glazing (Argon fill)	U-Factor	SHGC	VLT %	CR	EnergyStar® Capable
Dual-Pane - 3mm (3/4" overall glass thickness)	Advanced Low-E IG	0.28 - 0.30	0.25 - 0.28	0.46 - 0.52	58 - 60	—
	NaturalSun Low-E IG	0.29 - 0.31	0.43 - 0.49	0.52 - 0.59	58 - 59	—
	NaturalSun+ Low-E IG	0.25 - 0.27	0.41 - 0.47	0.50 - 0.58	47 - 48	—
	SunDefense™ Low-E IG	0.27 - 0.29	0.19 - 0.21	0.42 - 0.48	58 - 60	SC, S
	SunDefense+ Low-E IG	0.24 - 0.26	0.18 - 0.20	0.41 - 0.47	49	N, NC, SC, S
Triple-Pane - 3mm (1" overall glass thickness)	Advanced Low-E IG	0.22 - 0.24	0.21 - 0.24	0.36 - 0.41	60 - 65	N, NC, SC, S
	NaturalSun Low-E IG	0.22 - 0.25	0.37 - 0.42	0.45 - 0.52	59 - 64	CA, N, NC

Vent Units

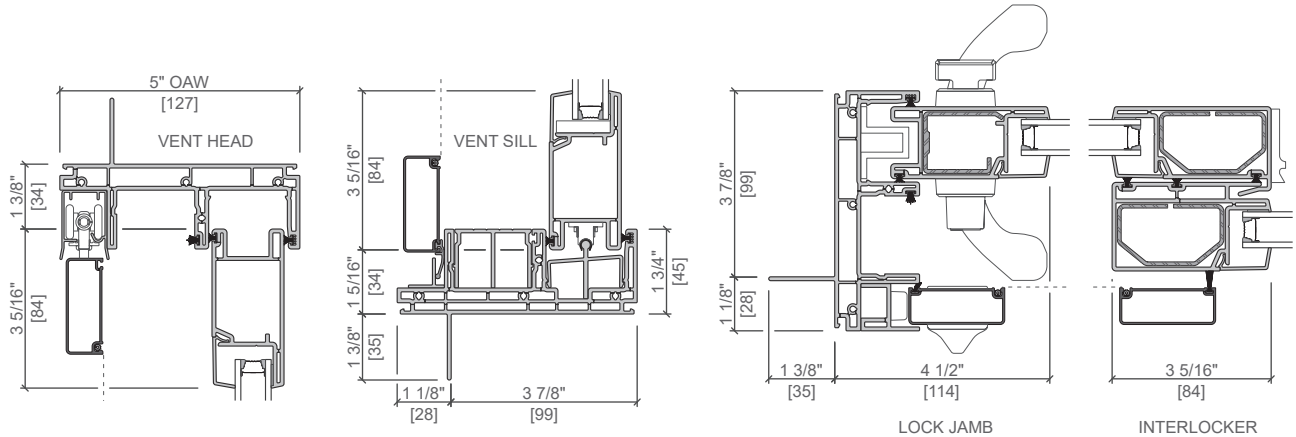
Includes optional foam

Sound Performance

Frame Size Tested	Type of Glazing	STC	OITC
Vent OX/XO 71-7/8" x 79-3/4"	Dual-Pane 3/4" Overall 3mm / 3mm glass	29	24
Vent OX/XO 71-7/8" x 79-3/4"	Dual-Pane 1" Overall 5mm / 3mm glass	32	26
Vent OX/XO 71-7/8" x 79-3/4"	Triple-Pane 1" Overall 3mm / 3mm / 3mm glass	29	24

Code Approvals: AAMA/WDMA Certified; **FPAS#** FL 20146; **TDI#** DR 1084

Performance varies based on actual product attributes. See the Performance section earlier in this manual to learn more about performance standards and ratings.

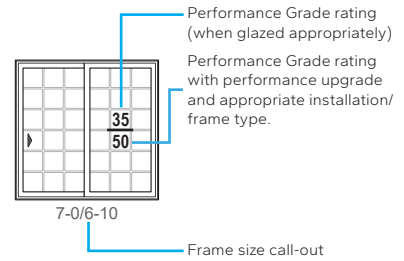


Other frame types are available. Not to scale. All dimensions are approximate.

(1) The higher the level, the greater the product's ability to resist forced entry. To achieve Grade 40 rating on ASTM F842 (forced entry excluding glass breakage), the optional footbolt must be installed and engaged.

Standard Sizes

	(1 524) (1 511)	(1 829) (1 816)	(2 038) (2 019)	(2 134) (2 121)	(2 438) (2 426)
Opening	5' 0"	6' 0"	6' 8"	7' 0"	8' 0"
Frame	59 1/2"	71 1/2"	79 1/2"	83 1/2"	95 1/2"
6' 8" (2 032) 79 1/2" (2 019)					
	5-0/6-8	6-0/6-8	6-8/6-8	7-0/6-8	8-0/6-8
6' 10" (2 083) 81 1/2" (2 070)					
	5-0/6-10	6-0/6-10	6-8/6-10	7-0/6-10	8-0/6-10
8' 0" (2 438) 95 1/2" (2 426)					
	5-0/8-0	6-0/8-0	6-8/8-0	7-0/8-0	8-0/8-0



All doors, transoms and sidelights are glazed with tempered glass. Combinations require reinforcing mullions between units.

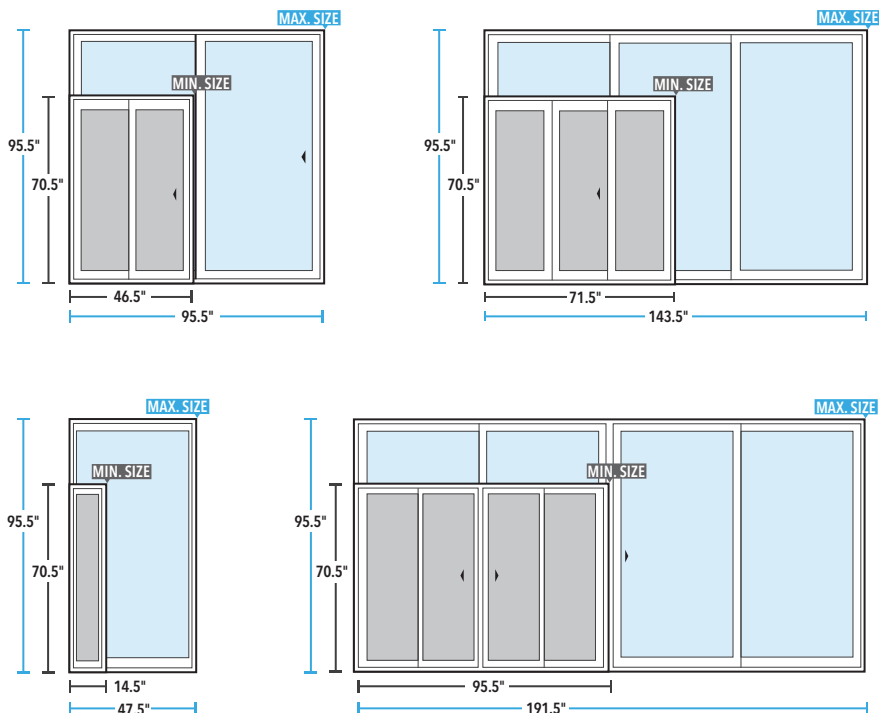
Select sizes available with Blinds-Between-The-Glass.

Special Sizes

Special sizes are available in 1/8" increments

3-Panel with Blinds-Between-the-Glass have frame widths available in 3/8" increments beginning at the minimum frame width of 71-1/2"

4-Panel with Blinds-Between-the-Glass have frame width available in 1/4" increments beginning at the minimum frame width of 95-1/2"



See the online ADM or consult with your local Pella Sales representative to view complete performance information as well as standard sizes and performance of transoms, fixed panel, 3- and 4-panel doors.





Pella® 250 Series

Standard and Premium Sliding Patio Doors



Standard Sliding Patio Door

Air, Water, & Structural Performance	Performance Class & Grade Rating	Water Penetration Resistance	Air Infiltration	Design Pressure	Forced Entry ₁		
	R-PG20 - LC-PG25	3.13 - 5.43 psf	1.57 psf	20 - 25 psf	Meets ASTM F842-04		
Thermal Performance	Glass Thickness	Type of Glazing (Argon fill)	U-Factor	SHGC	VLT %	CR	EnergyStar® Capable
	Dual-Pane 7/8" overall glass thickness	Advanced Low-E IG SunDefense™ Low-E IG	0.27 - 0.28 0.27	0.28 0.21	0.52 - 0.53 0.49	58 - 60 59 - 60	— SC, S
Vent Units	Triple-Pane 1-1/4" overall glass thickness	SunDefense™ Low-E IG	0.18 - 0.19	0.18 - 0.23	0.36 - 0.40	59 - 70	N, NC, SC, S
Sound Performance	Frame Size Tested	Type of Glazing			STC	OITC	
	XO - 2 Panel	Dual-Pane 7/8" Overall Triple-Pane 1-1/4" Overall	3mm / 3mm glass 3mm / 3mm / 3mm glass		28 —	23 —	

Code Approvals: AAMA/WDMA Certified

Performance varies based on actual product attributes. See the Performance section earlier in this manual to learn more about performance standards and ratings.

Premium Sliding Patio Door

Air, Water, & Structural Performance	Performance Class & Grade Rating	Water Penetration Resistance	Air Infiltration	Design Pressure	Forced Entry ₁		
	SGD - LC-PG30	4.59 psf	1.57	30 psf	Meets ASTM F842-04		
Thermal Performance	Glass Thickness	Type of Glazing (Argon fill)	U-Factor	SHGC	VLT %	CR	EnergyStar® Capable
	Dual-Pane 7/8" overall glass thickness	Advanced Low-E IG SunDefense™ Low-E IG	0.27 0.26 - 0.27	0.26 0.20	0.49 - 0.50 0.45 - 0.46	58 - 60 58 - 60	— N, NC, SC, S
Vent Units	Triple-Pane 1-1/4" overall glass thickness	SunDefense™ Low-E IG	0.18 - 0.19	0.17	0.33	69	N, NC, SC, S
Sound Performance	Frame Size Tested	Type of Glazing			STC	OITC	
	XO - 2 Panel	Dual-Pane 7/8" Overall Triple-Pane 1-1/4" Overall	3mm / 3mm glass 3mm / 3mm / 3mm glass		30 —	23 —	

Code Approvals: AAMA/WDMA Certified

Performance varies based on actual product attributes. See the Performance section earlier in this manual to learn more about performance standards and ratings.

Standard Sizes

Standard Sliding Patio Door

Call Out	Frame		Performance Class & Grade ¹
	Width (Inches)	Height (Inches)	
XO/OX Venting Units			
5-0/8-0	59-1/2	95-1/2	LC25
6-0/8-0	71-1/2	95-1/2	LC25
8-0/8-0	95-1/2	95-1/2	LC25
XOO/ OOX Venting Units			
8-8/8-0	104-5/16	95-1/2	LC25
11-8/8-0	140-5/16	95-1/2	LC25
OXXO Venting Units			
9-8/8-0	116-3/4	95-1/2	R20
11-8/8-0	140-3/4	95-1/2	R20
15-8/8-0	188-3/4	95-1/2	R20

Premium Sliding Patio Door

Call Out	Frame		Performance Class & Grade ¹
	Width (Inches)	Height (Inches)	
XO/OX Venting Units			
5-0/8-0	71-1/2	95-1/2	LC30
6-0/8-0	95-1/2	95-1/2	LC30
8-0/8-0	119-1/2	95-1/2	LC30
XOO/ OOX Venting Units			
8-8/8-0	104-5/16	95-1/2	LC30
11-8/8-0	140-5/16	95-1/2	LC30
OXXO Venting Units			
11-8/8-0	140-3/4	95-1/2	LC30
15-8/8-0	188-3/4	95-1/2	LC30

¹ Performance Grade rating (when glazed appropriately)

Special Sizes

Standard Sliding Door Type	Frame Dimensions			
	Min. Width	Min. Height	Max. Width	Max. Height
2-Panel (OX / XO)	32" (813)	39" (991)	99-1/8" (2 518)	96" (2 438)
3-Panel (OOX / XOO)	45-1/8" (1 146)	39" (991)	145-7/16" (3 694)	96" (2 438)
4-Panel (OXXO)	62" (1 575)	39" (991)	191-1/2" (4 864)	96" (2 438)

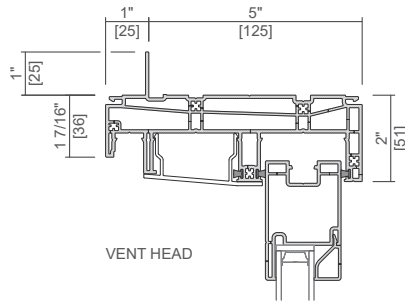
The combined frame width and frame height cannot exceed a panel square footage of 32 sq. ft.

Premium Sliding Door Type	Frame Dimensions			
	Min. Width	Min. Height	Max. Width	Max. Height
2-Panel (OX / XO)	36-3/4" (933)	39" (991)	123" (3 124)	120" (3 048)
3-Panel (OOX / XOO)	52" (1 320)	39" (991)	181" (4 597)	120" (3 048)
4-Panel (OXXO)	71-1/2" (1 816)	39" (991)	240" (6 096)	120" (3 048)

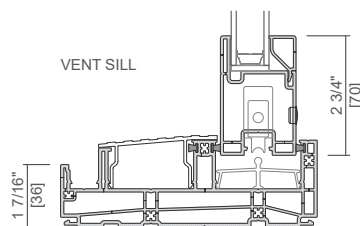
The combined frame width and frame height cannot exceed a panel square footage of 40.25 sq. ft.

Special sizes are available in 1/16" increments

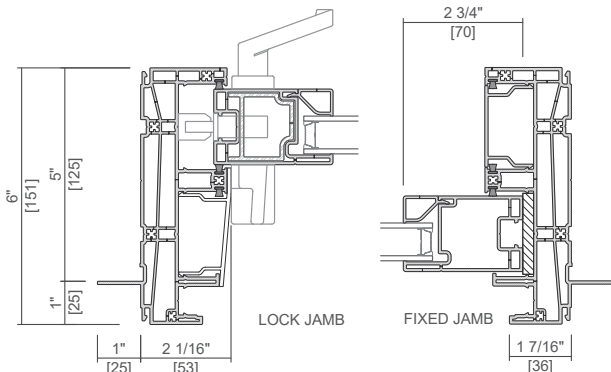
Standard Sliding Patio Door



VENT HEAD



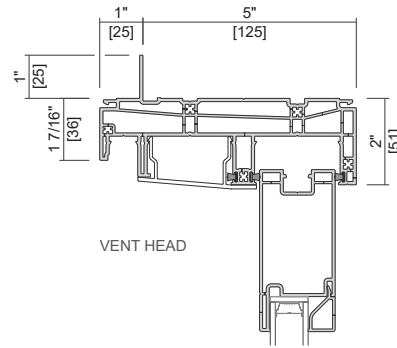
VENT SILL



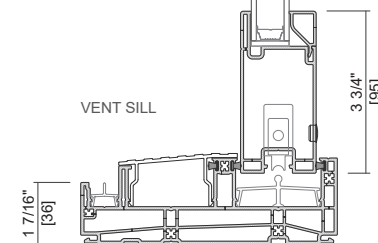
LOCK JAMB

FIXED JAMB

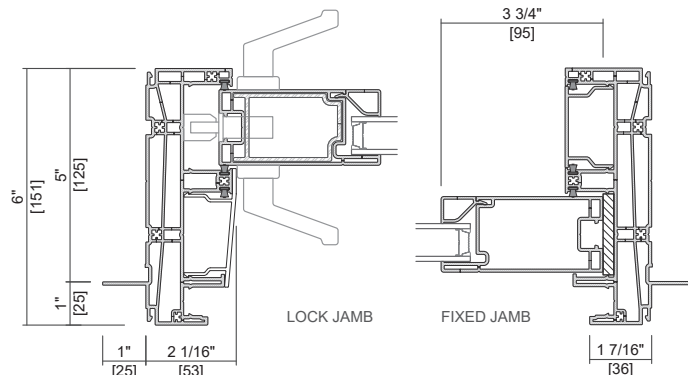
Premium Sliding Patio Door



VENT HEAD



VENT SILL



LOCK JAMB

FIXED JAMB

Other frame types are available. Not to scale. All dimensions are approximate.





Pella® 250 Series

Multislide Patio Doors



Standard Multislide Patio Door

Air, Water, & Structural Performance	Performance Class & Grade Rating	Water Penetration Resistance	Air Infiltration	Design Pressure	Forced Entry ₁		
	LC-PG25	3.76 psf	1.57 psf	25 psf	Meets ASTM F842-04		
Thermal Performance	Glass Thickness	Type of Glazing (Argon fill)	U-Factor	SHGC	VLT %	CR	EnergyStar® Capable
	Dual-Pane 7/8" overall glass thickness	Advanced Low-E IG	0.27 - 0.28	0.28	0.52 - 0.53	58 - 60	—
		SunDefense™ Low-E IG	0.27	0.21	0.49	59 - 60	SC, S
Triple-Pane 1-1/4" overall glass thickness	SunDefense™ Low-E IG	0.18 - 0.19	0.18 - 0.23	0.36 - 0.49	59 - 70	N, NC, SC, S	
Vent Units	Frame Size Tested		Type of Glazing		STC	OITC	
	—		Dual-Pane 7/8" Overall	3mm / 3mm glass	28	23	
	—		Triple-Pane 1-1/4" Overall	3mm / 3mm / 3mm glass	—	—	
Sound Performance	Frame Size Tested		Type of Glazing		STC	OITC	
	—		Dual-Pane 7/8" Overall	3mm / 3mm glass	28	23	
	—		Triple-Pane 1-1/4" Overall	3mm / 3mm / 3mm glass	—	—	

Code Approvals: AAMA/WDMA Certified

Performance varies based on actual product attributes. See the Performance section earlier in this manual to learn more about performance standards and ratings.

Premium Multislide Patio Door

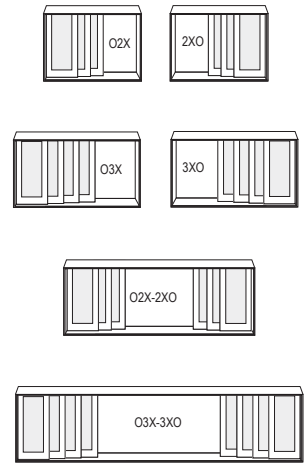
Air, Water, & Structural Performance (Stacking Only)	Performance Class & Grade Rating	Water Penetration Resistance	Air Infiltration	Design Pressure	Forced Entry ₁		
	LC-PG30	5.34 psf	1.57	30 psf	Meets ASTM F842-04		
Thermal Performance	Glass Thickness	Type of Glazing (Argon fill)	U-Factor	SHGC	VLT %	CR	EnergyStar® Capable
	Dual-Pane 7/8" overall glass thickness	Advanced Low-E IG	0.27	0.26	0.49 - 0.50	58 - 60	—
		SunDefense™ Low-E IG	0.26 - 0.27	0.20	0.45 - 0.46	58 - 60	N, NC, SC, S
Triple-Pane 1-1/4" overall glass thickness	SunDefense™ Low-E IG	0.18 - 0.19	0.17	0.33	69	N, NC, SC, S	
Vent Units	Frame Size Tested		Type of Glazing		STC	OITC	
	Premium Multi-Side Door		Dual-Pane 7/8" Overall	3mm / 3mm glass	30	23	
	Premium Multi-Side Door		Triple-Pane 1-1/4" Overall	3mm / 3mm / 3mm glass	—	—	
Sound Performance	Frame Size Tested		Type of Glazing		STC	OITC	
	Premium Multi-Side Door		Dual-Pane 7/8" Overall	3mm / 3mm glass	30	23	
	Premium Multi-Side Door		Triple-Pane 1-1/4" Overall	3mm / 3mm / 3mm glass	—	—	

Code Approvals: AAMA/WDMA Certified

Performance varies based on actual product attributes. See the Performance section earlier in this manual to learn more about performance standards and ratings.

Sizes and Configurations

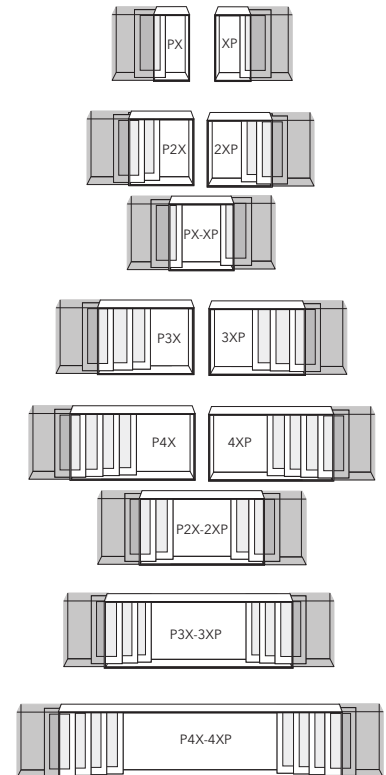
STACKING PANEL CONFIGURATION				Frame Sizing (Inches)				Panel Sizing (Inches)				Product Offering	
	Venting	Frame Depth	Tracks	Min. Width	Min. Height	Max. Width	Max. Height	Min. Width	Min. Height	Max. Width	Max. Height	Standard	Premium
3-Panel	One-way	7-11/16"	3 Tracks	45.25	39	145.9375	96	16	36	60	93	X	
				52.5	39	181.5	120	19	36	62.125	117		X
4-Panel	One-way	10-3/16"	4 Tracks	58.5	39	191.5	96	16	36	60	93	X	
				67.5	39	240	120	19	36	62.125	117		X
6-panel	Bi-part	7-11/16"	3 Tracks	102.125	39	336	120	19	36	62.125	117		X
8-Panel	Bi-part	10-3/16"	4 Tracks	132.75	39	336	120	19	36	62.125	117		X



For Standard doors, the combined frame width and frame height cannot exceed a panel square footage of 32 sq. ft.

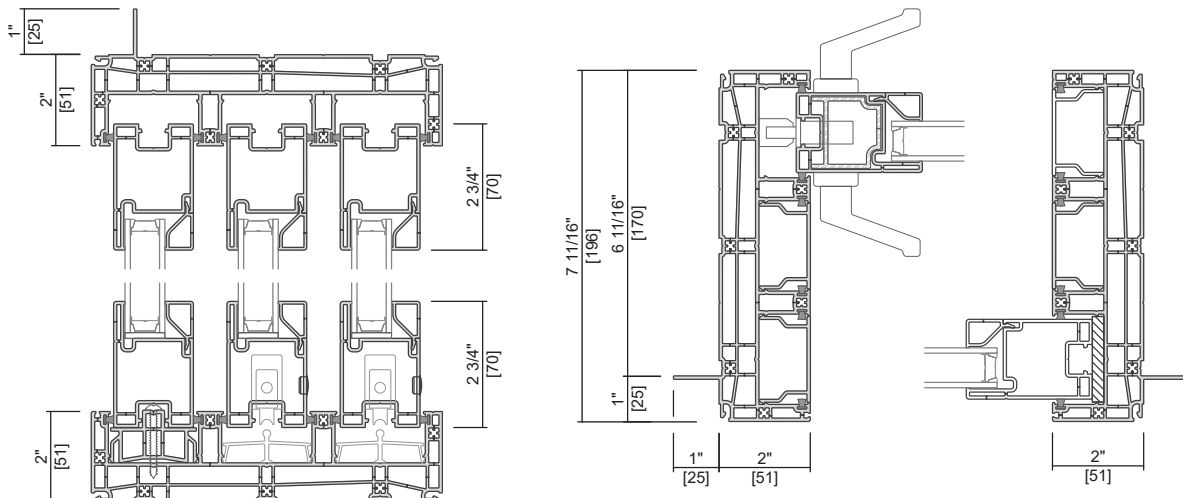
For Premium doors The combined frame width and frame height cannot exceed a panel square footage of 40.25 sq. ft.

POCKETING PANEL CONFIGURATION (Premium Only)				Frame Sizing (Inches)				Panel Sizing (Inches)			
	Venting	Frame Depth	Tracks	Min. Width	Min. Height	Max. Width	Max. Height	Min. Width	Min. Height	Max. Width	Max. Height
1-Panel	One-way	2-15/16"	1 Track	21	39	129	120	19	36	62.125	117
2-Panel	One-way	5-7/16"	2 Tracks	36.25	39	187.5	120	19	36	62.125	117
	Bi-part	2-15/16"	1 Track	40.25	39	254.875	120	19	36	62.125	117
3-Panel	One-way	7-11/16"	3 Tracks	51.75	39	246	120	19	36	62.125	117
4-Panel	One-way	10-3/16"	4 Tracks	67	39	304.5	120	19	36	62.125	117
	Bi-part	5-7/16"	2 Tracks	71	39	336	120	19	36	62.125	117
6-panel	Bi-part	7-11/16"	3 Tracks	101.75	39	336	120	19	36	62.125	117
8-Panel	Bi-part	10-3/16"	4 Tracks	132.5	39	336	120	19	36	62.125	117



For Premium doors The combined frame width and frame height cannot exceed a panel square footage of 40.25 sq. ft.

Special sizes are available in 1/16" increments



Other frame types are available. Not to scale. All dimensions are approximate.





Pella® 250 Series

Premium Bifold Patio Doors



Air, Water, & Structural Performance
Standard Sill

Performance Class & Grade Rating	Water Penetration Resistance	Air Infiltration	Design Pressure	Forced Entry ₁
PG30	4.59 psf	1.57	30 psf	Meets ASTM F842-04

Thermal Performance

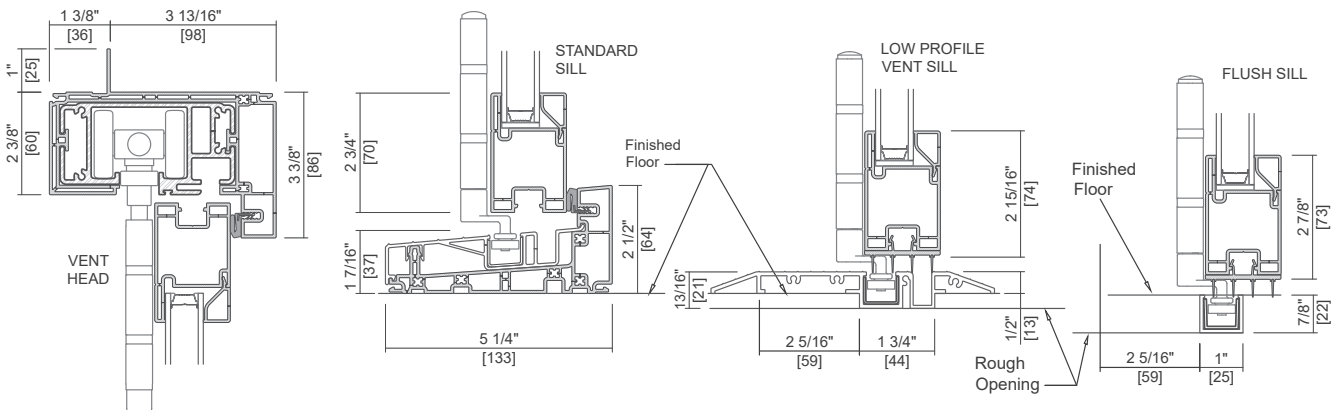
Glass Thickness	Type of Glazing (Argon fill)	U-Factor	SHGC	VLT %	CR	EnergyStar® Capable
Dual-Pane 7/8" overall glass thickness	Advanced Low-E IG	0.36	0.25	0.45 - 0.46	45	—
	SunDefense™ Low-E IG	0.35 - 0.36	0.19	0.41 - 0.42	45	—
Triple-Pane 1-1/4" overall glass thickness	SunDefense™ Low-E IG	0.28 - 0.30	0.16 - 0.17	0.30	44	SC, S

Sound Performance

Frame Size Tested	Type of Glazing	STC	OITC
—	Dual-Pane 7/8" Overall 3mm / 3mm glass	31	25
	Dual-Pane 7/8" Overall 4mm / 4mm glass	31	26
	Triple-Pane 1-1/4" Overall 3mm / 3mm / 3mm glass	32	26

Code Approvals: AAMA/WDMA Certified

Performance varies based on actual product attributes. See the Performance section earlier in this manual to learn more about performance standards and ratings.



Other frame types are available. Not to scale. All dimensions are approximate.

Standard Sizes

Panel Configuration	Passage-Door handing	Standard Size Call Sizes		Standard Size Frame Dimensions (inches)	
		Call Width	Call Height	Width	Height
2-Panel 0L-2R 2L-OR	No passage door	73.25	96	72.75	95.5
		73.25	96	73.75	95.5
1L-1R	Active Right, Active Left	74.25	96	73.75	95.5
3-Panel 0L-3R 3L-OR	Active Right, Active Left	108.0625	96	107.5625	95.5
		108.0625	96	107.5625	95.5
1L-2R, 2L-1R	Active Right, Active Left	109.0625	96	108.5625	95.5
		109.0625	96	108.5625	95.5
4-Panel 4L-OR, 0L-4R	No passage door	143	96	142.5	95.5
		143	96	142.5	95.5
1L-3R, 3L-1R	Option of: Active Left/Passive Right, Passive Left/Active Right	144	96	143.5	95.5
		144	96	143.5	95.5
2L-2R	No passage door	144	96	143.5	95.5
5-Panel 0L-5R, 5L-OR	Active Right, Active Left	177.9375	96	177.4375	95.5
		177.9375	96	177.4375	95.5
1L-4R, 4L-1R	Active Left, Active Right	178.9375	96	178.4375	95.5
		178.9375	96	178.4375	95.5
2L-3R, 3L-2R	Active Right, Active Left	178.9375	96	178.4375	95.5
		178.9375	96	178.4375	95.5
6-Panel 6L-OR, 0L-6R	No passage door	212.8125	96	212.3125	95.5
		212.8125	96	212.3125	95.5
1L-5R, 5L-1R	Option of: Active Left/Passive Right, Passive Left/Active Right	213.8125	96	213.3125	95.5
		213.8125	96	213.3125	95.5
2L-4R, 4L-2R	No passage door	213.8125	96	213.3125	95.5
		213.8125	96	213.3125	95.5
3L-3R	Option of Active/Passive or Passive/Active	213.8125	96	213.3125	95.5
7-Panel 0L-7R, 7L-OR	Active Right, Active Left	247.75	96	247.25	95.5
		247.75	96	247.25	95.5
1L-6R, 6L-1R	Active Left, Active Right	248.75	96	248.25	95.5
		248.75	96	248.25	95.5
2L-5R, 5L-2R	Active Right, Active Left	248.75	96	248.25	95.5
		248.75	96	248.25	95.5
3L-4R, 4L-3R	Active Left, Active Right	248.75	96	248.25	95.5
		248.75	96	248.25	95.5
8-Panel 0L-8R, 8L-OR	No passage door	282.75	96	282.25	95.5
		282.75	96	282.25	95.5
1L-7R, 7L-1R	Option of: Active Left/Passive Right, Passive Left/Active Right	283.75	96	283.25	95.5
		283.75	96	283.25	95.5
2L-6R, 6L-2R	No passage door	283.75	96	283.25	95.5
		283.75	96	283.25	95.5
3L-5R, 5L-3R	Option of Active/Passive or Passive/Active	283.75	96	283.25	95.5
		283.75	96	283.25	95.5
4L-4R	No passage door	283.75	96	283.25	95.5

Special Sizes

PANEL CONFIGURATION	Frame Sizing					Panel Sizing				
	Min. Width	Min. Height	Max. Width	Max. Height	Min. Width	Min. Height	Max. Width	Max. Height	Max Panel Sq. Ft.	
2-Panel 0L-2R, 1L-1R, 2L-OR	41.25"	78.0625"	96.5625"	120"	19"	30"	46.6875"	115.5"	27.75 / 29.5	
3-Panel 1L-2R, 2L-1R	60.4375"	78.0625"	143.5"	120"	19"	30"	46.6825"	115.5"	27.75 / 29.5	
	60.4375"	78.0625"	143.5"	120"	19"	30"	46.75"	115.5"	27.75 / 29.5	
4-Panel 0L-4R, 1L-3R, 2L-2R, 3L-1R, 4L-OR	79.5"	78.0625"	190.375"	120"	19"	30"	46.6875"	115.5"	27.75 / 29.5	
	98.75"	78.0625"	237.25"	120"	19"	30"	46.6825"	115.5"	27.75 / 29.5	
5-Panel 0L-5R, 1L-4R, 2L-3R, 3L-2R, 4L-1R, 5L-OR	118"	78.0625"	284"	120"	19"	30"	46.6875"	115.5"	27.75 / 29.5	
	137"	78.0625"	288"	120"	19"	30"	46.6825"	115.5"	27.75 / 29.5	
6-Panel 0L-6R, 1L-5R, 2L-4R, 3L-3R, 4L-2R, 5L-1R, 6L-OR	156.5"	78.0625"	288"	120"	19"	30"	46.6875"	115.5"	27.75 / 29.5	
	156.5"	78.0625"	288"	120"	19"	30"	46.6875"	115.5"	27.75 / 29.5	
7-Panel 0L-7R, 1L-6R, 2L-5R, 3L-4R, 4L-3R, 5L-2R, 6L-1R, 7L-OR	156.5"	78.0625"	288"	120"	19"	30"	46.6875"	115.5"	27.75 / 29.5	
	156.5"	78.0625"	288"	120"	19"	30"	46.6875"	115.5"	27.75 / 29.5	
8-Panel 0L-8R, 1L-7R, 2L-6R, 3L-5R, 4L-4R, 5L-3R, 6L-2R, 7L-1R, 8L-OR	156.5"	78.0625"	288"	120"	19"	30"	46.6875"	115.5"	27.75 / 29.5	
	156.5"	78.0625"	288"	120"	19"	30"	46.6875"	115.5"	27.75 / 29.5	

Max frame height measurements apply only to units with standard sills.

The combined frame width and frame height cannot exceed a panel square footage of 27.75 sq. ft. / 29.5 sq. ft. depending on configuration

Panel Square Footage Restrictions:

29.5 sq. ft. range is between a panel height of 30" - 91",
27.75 sq. ft. range is between a panel height of 91.0625" - 115.5"

Special sizes are available in 1/16" increments.

FH = Rough Opening - 0.5"; FW = Rough Opening - 0.5"





Pella® 250 Series

Standard and Premium Bifold Pass-Through Windows



Standard Bifold Pass-Through Window

Air, Water, & Structural Performance	Performance Class & Grade Rating	Water Penetration Resistance	Air Infiltration	Design Pressure	Forced Entry ₁
	Not Rated	—	—	—	—

Thermal Performance	Glass Thickness	Type of Glazing (Argon fill)	U-Factor	SHGC	VLT %	CR	EnergyStar® Capable
Vent Units	Dual-Pane 7/8" overall glass thickness	Advanced Low-E IG	0.33	0.25	0.45 - 0.46	50	—
		SunDefense™ Low-E IG	0.32 - 0.33	0.19	0.41 - 0.42	50	—
	Triple-Pane 1-1/4" overall glass thickness	SunDefense™ Low-E IG	0.24 - 0.25	0.16	0.30	49	N, NC, SC, S

Code Approvals: AAMA/WDMA Certified

Performance varies based on actual product attributes. See the Performance section earlier in this manual to learn more about performance standards and ratings.

Premium Bifold Pass-Through Window

Air, Water, & Structural Performance	Performance Class & Grade Rating	Water Penetration Resistance	Air Infiltration	Design Pressure	Forced Entry ₁
	PG30	—	—	30 psf	Meets ASTM F842-04

Thermal Performance	Glass Thickness	Type of Glazing (Argon fill)	U-Factor	SHGC	VLT %	CR	EnergyStar® Capable
Vent Units	Dual-Pane 7/8" overall glass thickness	Advanced Low-E IG	0.36	0.25	0.45 - 0.46	45	—
		SunDefense™ Low-E IG	0.35 - 0.36	0.19	0.41 - 0.42	45	—
	Triple-Pane 1-1/4" overall glass thickness	SunDefense™ Low-E IG	0.28 - 0.30	0.16 - 0.17	0.30	44	SC, S

Sound Performance	Frame Size Tested	Type of Glazing		STC	OITC
	—	Dual-Pane 7/8" Overall	3mm / 3mm glass	31	25
		Dual-Pane 7/8" Overall	4mm / 4mm glass	31	26
		Triple-Pane 1-1/4" Overall	3mm / 3mm / 3mm glass	32	26

Code Approvals: AAMA/WDMA Certified:

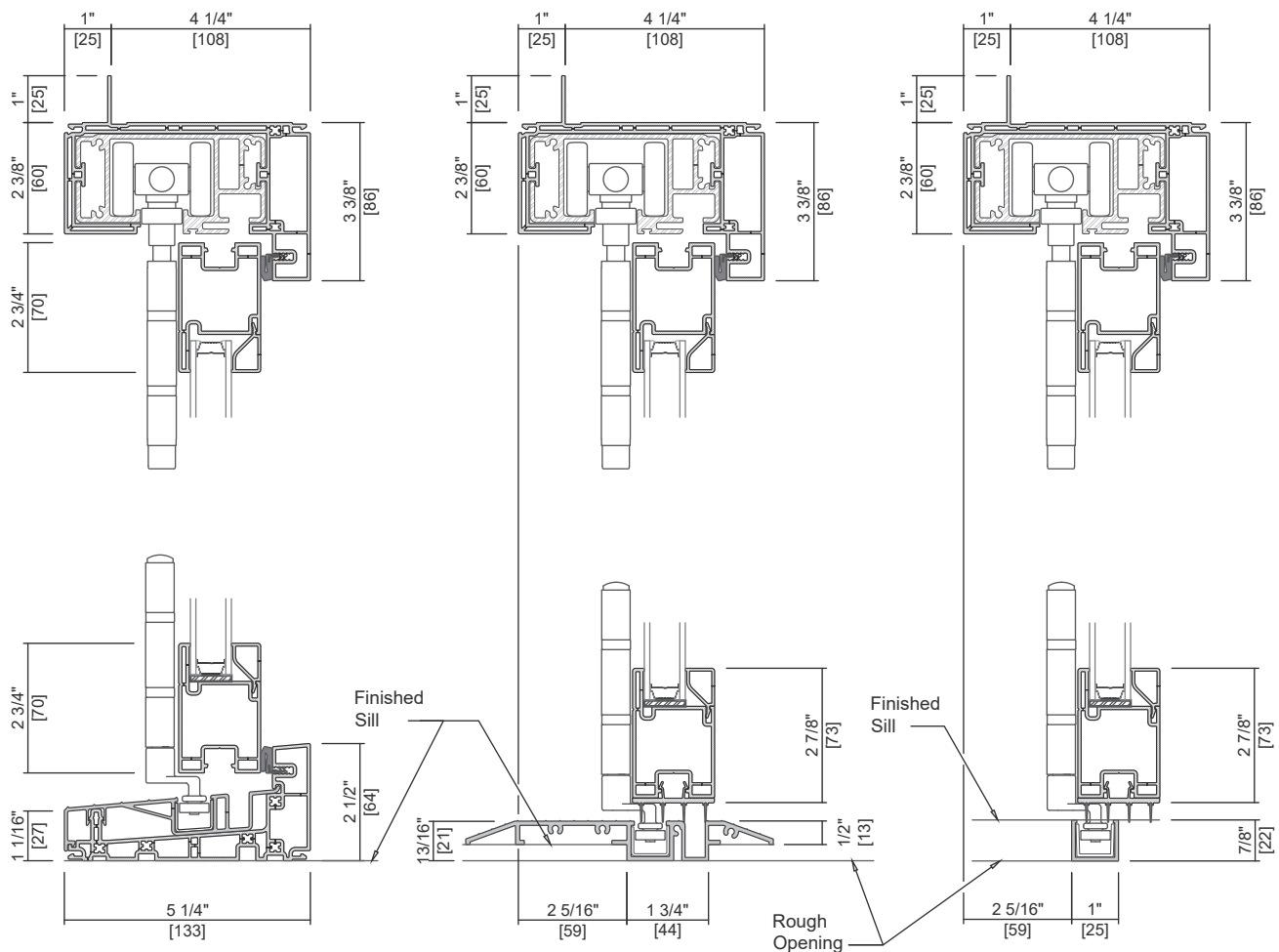
Performance varies based on actual product attributes. See the Performance section earlier in this manual to learn more about performance standards and ratings.

Sizes and Configurations

Series	Total Panel Count	Minimum Width	Minimum Height	Maximum Width	Maximum Height
Standard	2 Panel	35.25	34.5	75.125	78
	3 Panel	52	34.5	111.9375	78
	4 Panel	68.5	34.5	147.5	78
	5 Panel	84.5	34.5	184.25	78
	6 Panel	100	34.5	219.75	78
Premium	2 Panel	41.25	34.5	96.5625	78
	3 Panel	60.4375	34.5	143.5	78
	4 Panel	79.5	34.5	190.375	78
	5 Panel	98.75	34.5	237.25	78
	6 Panel	118	34.5	284	78

Dimensions shown are in inches.

Special sizes are available in 1/16" increments



Other frame types are available. Not to scale. All dimensions are approximate.

