



Product Selection Guide

| | |
|--------------------------------|-----------|
| Size and Performance Data..... | W-ISCM-2 |
| Features and Options..... | W-ISCM-3 |
| Grille Types..... | W-ISCM-4 |
| Typical Grille Patterns..... | W-ISCM-5 |
| Size Tables | |
| Design Data | W-ISCM-7 |
| Detailed Product Descriptions | |
| Clad..... | W-ISCM-8 |
| Wood | W-ISCM-9 |
| Unit Sections | |
| Clad..... | W-ISCM-10 |
| Wood | W-ISCM-11 |

The information published in this document is believed to be accurate at the time of publication. However, because we are constantly working to improve our products, specifications are subject to change without notice. Consult your local Pella representative for up-to-date product information.



Pella® Reserve™ In-Swing Casement Window

Size and Performance Data

| | Clad | Wood |
|-------------------------|------|------|
| Sizes | | |
| Standard vent sizes | ● | ● |
| Special sizes available | ● | ● |



Pella® Reserve™ In-Swing Casement Window

Features and Options

| Standard | Options / Upgrades |
|--|---|
| Glazing | |
| Glazing Type | |
| Dual-Pane Insulating Glass | — |
| Insulated Glass Options/Low-E Types | |
| Advanced Low-E | SunDefense™ Low-E |
| | AdvancedComfort Low-E |
| | NaturalSun Low-E |
| | Clear (no Low-E coating) |
| Additional Glass Options | |
| Annealed Glass | Tempered Glass |
| | Obscure Glass ¹ |
| | Tinted Glass (Bronze, Gray and Green) |
| Gas Fill/High Altitude | |
| Argon | High altitude (with air) |
| Wood Types | |
| Pine | Mahogany, Douglas Fir |
| Exterior | |
| Exterior Sash Profile | |
| Ogee - clad, Putty - wood | Putty - clad |
| Exterior Finish | |
| EnduraClad® protective finish | EnduraClad Plus protective finish, Factory Primed Pine wood exterior, Unfinished Mahogany wood exterior |
| Cladding Colors¹ | |
| Standard colors | Feature Colors, Custom Colors |
| Interior | |
| Interior Sash Profile | |
| Ogee | — |
| Interior Finish | |
| Unfinished wood | Factory primed ² , Factory prefinished paint ² , Factory prefinished stain |
| Hardware | |
| Champagne, White or Brown | Satin Brass, Satin Nickel or Oil-Rubbed Bronze |
| Sash Locks | |
| Multi-point® System | — |
| Grilles | |
| Integral Light Technology® Grilles | |
| — | Traditional, Prairie, Top Row, Cross, New England, Victorian, Simulated French, Custom |
| Grilles-Between-the-Glass | |
| — | Traditional, Prairie, Cross, Top Row ¹ , Custom-Equally Divided |
| Screens | |
| — | InView™ screens |

(1) Contact your local Pella sales representative for current designs and color options.

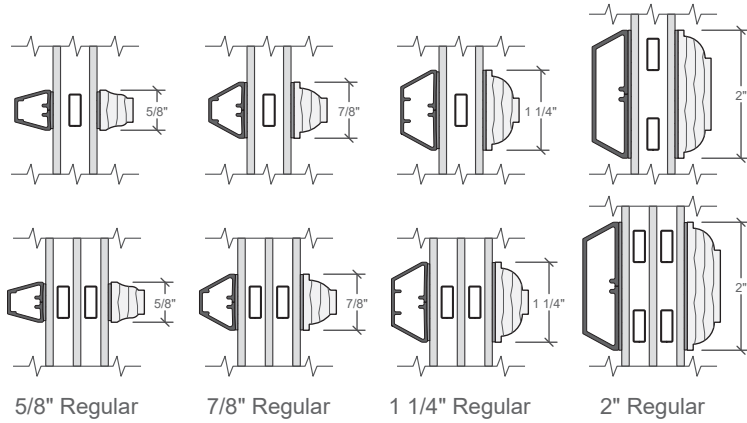
(2) Not available on Mahogany and Douglas Fir interiors.



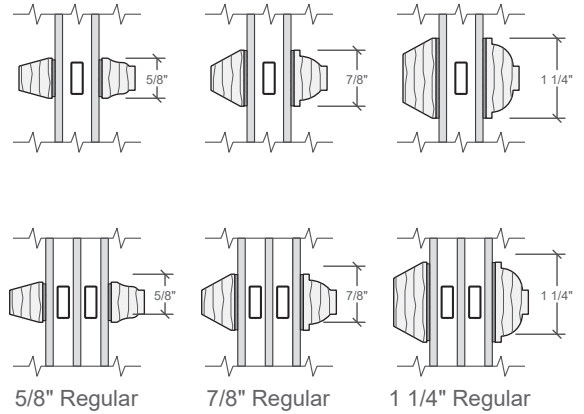
Grille Profiles

Traditional Style Collection - Integral Light Technology®

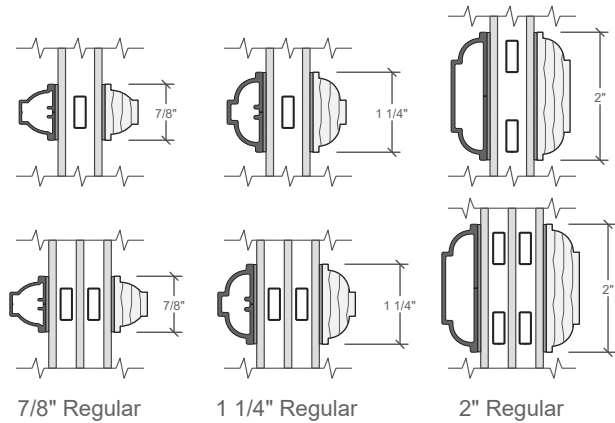
Putty Glaze and Ogee Grilles
Clad Exterior - Wood Interior



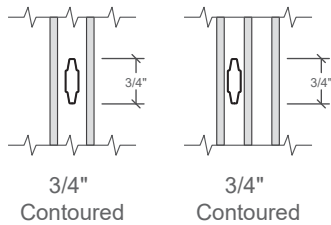
Putty Glaze and Ogee Grilles
Wood Exterior - Wood Interior



Ogee Grilles
Clad Exterior - Wood Interior



Grilles-Between-the-Glass



Interior ILT grilles available in Pine, Mahogany or Douglas Fir to match complete unit.

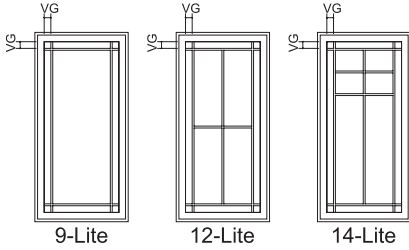
Wood exterior ILT grilles available in Pine or Mahogany to match complete unit.



Grille Patterns

Integral Light Technology® Grilles

Prairie Lite Patterns



Standard corner lite dimension for Prairie patterns = 2-1/2" VG.

9-Lite

- Available in all standard and special sizes.

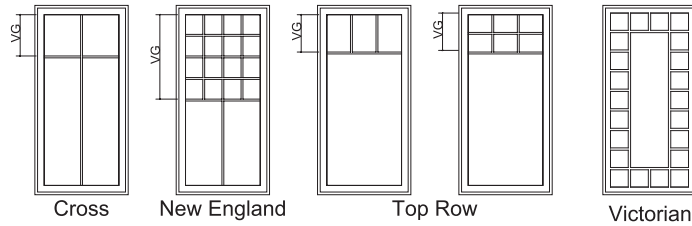
12-Lite

- Available in units ≥ 2'0" in width and ≥ 2'0" in height.

14-Lite

- Available in units ≥ 2'0" in width and ≥ 3'0" in height.

Other Available ILT Grille Patterns



Cross

- Standard visible glass to separator bar dimension = one-quarter of total visible glass height.

New England

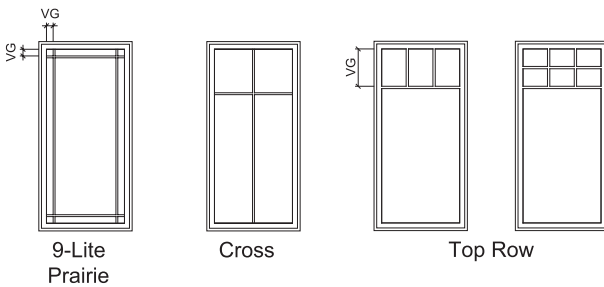
- Standard visible glass to separator bar = half of total visible glass height.

Top Row

- Standard visible glass to separator bar = 14" or half of total visible glass height, whichever is smaller.

Grilles-Between-the-Glass

Available GBG Grille Patterns



Cross

- Available for units with frame heights ≥ 17".
- Standard visible glass to separator bar = 1/4 of total visible glass height.

Top Row

- Standard visible glass to separator bar = 14" for frame heights > 35".
- Standard visible glass to separator bar = 12" for 35" frame heights and optional for 41" frame height.
- Separator bar at 12" or 16" optional for frames heights > 41".

For traditional patterns, see size tables.

VG = Visible Glass

Lite dimensions noted can vary.

Custom configurations are also available, for details contact your local Pella sales representative.



Pella® Reserve™ In-Swing Casement Window

Size Tables

Vent and Fixed Units

| | (451) (432) | (552) (533) | (603) (584) | (654) (635) | (756) (737) | (908) (889) |
|------------------|------------------------------------|------------------------------------|-------------------------------------|------------------------------------|------------------------------------|-------------------------------------|
| Opening | 1' 5 ³ / ₄ " | 1' 9 ³ / ₄ " | 1' 11 ³ / ₄ " | 2' 1 ³ / ₄ " | 2' 5 ³ / ₄ " | 2' 11 ³ / ₄ " |
| Frame | 1' 5" | 1' 9" | 1' 11" | 2' 1" | 2' 5" | 2' 11" |
| (908) (889) | | | | | | |
| (1060) (1041) | | | | | | |
| (1213) (1194) | | | | | | |
| (1365) (1346) | | | | | | |
| (1518) (1499) | | | | | | |
| (1670) (1651) | | | | | | |
| (1822) (1803) | | | | | | |
| (1873) (1854) | | | | | | |

Egress Notes:
 Check all applicable local codes for emergency egress requirements.

- E = Window meets minimum clear opening of 24" height, 20" width, and 5.7 ft².
- E1 = Window meets minimum clear opening of 24" height, 20" width, and 5.0 ft².

Not to scale.

Traditional grille patterns shown. Refer to grille section for additional patterns and profiles.

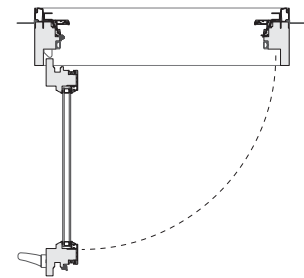
Contact your local Pella representative for the availability of custom sizes smaller or larger than the parameters shown.



Pella® Reserve™ In-Swing Casement Window

Design Data

| Vent | | | | | | | |
|------|--------|------------------------|--------|-----------------|---------------------------|-------------------------------|----------------------------|
| Unit | Egress | Clear Opening (inches) | | | Vent Area Ft ² | Visible Glass Ft ² | Frame Area Ft ² |
| | | Width | Height | Ft ² | | | |
| 1735 | | 10 | 29 | 2.0 | 2.0 | 1.4 | 4.1 |
| 1741 | | 10 | 35 | 2.4 | 2.4 | 1.7 | 4.8 |
| 1747 | | 10 | 41 | 2.9 | 2.9 | 2.0 | 5.5 |
| 1753 | | 10 | 47 | 3.3 | 3.3 | 2.4 | 6.3 |
| 1759 | | 10 | 53 | 3.7 | 3.7 | 2.7 | 7.0 |
| 1765 | | 10 | 59 | 4.1 | 4.1 | 3.0 | 7.7 |
| 2135 | | 14 | 29 | 2.8 | 2.8 | 2.1 | 5.1 |
| 2141 | | 14 | 35 | 3.4 | 3.4 | 2.6 | 6.0 |
| 2147 | | 14 | 41 | 4.0 | 4.0 | 3.1 | 6.9 |
| 2153 | | 14 | 47 | 4.6 | 4.6 | 3.6 | 7.7 |
| 2159 | | 14 | 53 | 5.2 | 5.2 | 4.1 | 8.6 |
| 2165 | | 14 | 59 | 5.8 | 5.8 | 4.5 | 9.5 |
| 2335 | | 16 | 29 | 3.2 | 3.2 | 2.5 | 5.6 |
| 2341 | | 16 | 35 | 3.9 | 3.9 | 3.0 | 6.5 |
| 2347 | | 16 | 41 | 4.6 | 4.6 | 3.6 | 7.5 |
| 2353 | | 16 | 47 | 5.2 | 5.2 | 4.2 | 8.5 |
| 2359 | | 16 | 53 | 5.9 | 5.9 | 4.8 | 9.4 |
| 2365 | | 16 | 59 | 6.6 | 6.6 | 5.3 | 10.4 |
| 2535 | | 18 | 29 | 3.6 | 3.6 | 2.8 | 6.1 |
| 2541 | | 18 | 35 | 4.4 | 4.4 | 3.5 | 7.1 |
| 2547 | | 18 | 41 | 5.1 | 5.1 | 4.1 | 8.2 |
| 2553 | | 18 | 47 | 5.9 | 5.9 | 4.8 | 9.2 |
| 2559 | | 18 | 53 | 6.6 | 6.6 | 5.4 | 10.2 |
| 2565 | | 18 | 59 | 7.4 | 7.4 | 6.1 | 11.3 |
| 2571 | | 18 | 65 | 8.1 | 8.1 | 6.8 | 12.3 |
| 2573 | | 18 | 67 | 8.4 | 8.4 | 7.0 | 12.7 |
| 2935 | | 22 | 29 | 4.4 | 4.4 | 3.5 | 7.0 |
| 2941 | E1 | 22 | 35 | 5.4 | 5.4 | 4.4 | 8.3 |
| 2947 | E | 22 | 41 | 6.3 | 6.3 | 5.2 | 9.5 |
| 2953 | E | 22 | 47 | 7.2 | 7.2 | 6.0 | 10.7 |
| 2959 | E | 22 | 53 | 8.1 | 8.1 | 6.8 | 11.9 |
| 2965 | E | 22 | 59 | 9.0 | 9.0 | 7.6 | 13.1 |
| 2971 | E | 22 | 65 | 10.0 | 10.0 | 8.5 | 14.3 |
| 2973 | E | 22 | 67 | 10.3 | 10.3 | 8.7 | 14.7 |
| 3535 | E1 | 28 | 29 | 5.6 | 5.6 | 4.6 | 8.5 |
| 3541 | E | 28 | 35 | 6.8 | 6.8 | 5.7 | 10.0 |
| 3547 | E | 28 | 41 | 8.0 | 8.0 | 6.8 | 11.4 |
| 3553 | E | 28 | 47 | 9.2 | 9.2 | 7.8 | 12.9 |
| 3559 | E | 28 | 53 | 10.3 | 10.3 | 8.9 | 14.3 |
| 3565 | E | 28 | 59 | 11.5 | 11.5 | 10.0 | 15.8 |
| 3571 | E | 28 | 65 | 12.7 | 12.7 | 11.0 | 17.3 |
| 3573 | E | 28 | 67 | 13.0 | 13.0 | 11.4 | 17.7 |



Vent sash operation is limited to 90°

Egress Notes:

Check all applicable local codes for emergency egress requirements.

E = Window meets minimum clear opening of 24" height, 20" width, and 5.7 ft².

E1 = Window meets minimum clear opening of 24" height, 20" width, and 5.0 ft².

To convert area to square meters (m²), multiply square feet by 0.0929.



Pella® Reserve™ In-Swing Casement Window

Detailed Product Description - Aluminum-Clad Exterior

Frame

- Select woods, immersion treated with Pella's EnduraGuard® wood protection formula in accordance with WDMA I.S.-4. The EnduraGuard formula includes three active ingredients for protection against the effects of moisture, decay, stains from mold and mildew. Plus, an additional ingredient adds protection against termite damage.
- Interior exposed surfaces are [pine] [mahogany] [douglas fir] (standard rectangular units only). Any curved member may have visible finger-jointed surfaces.
- Exterior surfaces are clad with aluminum.
- Overall frame depth is 5" (127mm) for a wall depth of 3-11/16" (94mm).
- Optional factory-applied jamb extensions available between 4-9/16" (116mm) and 7-3/16" (183mm) wall depths.

Sash

- Select woods, immersion treated with Pella's EnduraGuard® wood protection formula in accordance with WDMA I.S.-4. The EnduraGuard formula includes three active ingredients for protection against the effects of moisture, decay, stains from mold and mildew. Plus, an additional ingredient adds protection against termite damage.
- Interior exposed surfaces are clear [pine] [mahogany] [douglas fir] (standard rectangular units only). Any curved member may have visible finger-jointed surfaces.
- Exterior surfaces are clad with aluminum and sealed.
- Corners mortised and tenoned, glued and secured with metal fasteners.
- Sash thickness is 2-3/4" (69 17/20 mm) for [11/16"] or [1"] glazings.
- Exterior sash profile is [ogee] [putty glaze], interior sash profile is ogee.

Weatherstripping

- Dual weatherstripping.
 - A foam filled close cell sheathed weatherstrip on the full frame perimeter is compressed between frame and sash for positive seal on all four sides.
 - Secondary leaf-type weatherstrip between edge of sash and frame.

Glazing System¹

- Quality float glass complying with ASTM C 1036.
- Silicone-glazed 11/16" dual-seal insulating glass [[annealed] [tempered]] [[clear] [Advanced Low-E coated with argon]] [SunDefense™ Low-E with Argon] [Advanced Comfort Low-E] [NaturalSun Low-E] [[bronze] [gray] [green] air-filled Advanced Low-E coated]].
- Custom and high altitude glazing available for 11/16" glazing only.
 - or –
- Silicone-glazed triple-pane 1-1/16" dual-seal insulating glass [[annealed] [tempered]] [[Advanced Low-E with argon] [Advanced Low-E with krypton] [SunDefense™ Low-E with argon] [SunDefense™ Low-E with krypton] [NaturalSun Low-E with krypton] [Obscure [standard] [fern]].

Exterior

- Exterior aluminum surfaces are finished with EnduraClad® multi-stage finish system.
 - Color is [Standard] [Feature] [custom]².
 - or –
- Exterior aluminum surfaces are finished with EnduraClad Plus 70% fluoropolymer-based multi-stage finish system.
 - Color is [Standard] [Feature] [custom]².

Interior

- [Unfinished, ready for site finishing] [Factory-primed with one coat acrylic latex] [Pine: [Factory prefinished [paint] [stain]²].

Hardware

- Multi-point lock system—A single handle locking system engages multiple locking points around the sash.
- Finish of handle is [baked enamel, [Champagne] [White] [Brown]] [Satin Brass] [Satin Nickel] [Oil-Rubbed Bronze]. All vent units are available with left- or right-hand hinging.

Optional Products

Grilles

- Integral Light Technology® Grilles
 - Interior grilles are [5/8"] [7/8"] [1-1/4"] [2"] ogee profile that are solid [Pine] [Mahogany] [Douglas Fir]. Interior surfaces are [unfinished, ready for site finishing] [factory primed] [pine: factory prefinished [paint] [stain]²].
 - Exterior grilles are [5/8" putty profile] [7/8" [putty] [ogee] profile] [1-1/4" [putty] [ogee] profile] [2" ogee profile] that are extruded aluminum.
 - Patterns are [Traditional] [Prairie] [Top Row] [Cross] [New England] [Victorian] [Simulated French].
 - Insulating glass contains non-glare spacer between the panes of glass.
 - Bars are adhered to both sides of the insulating glass with VHB acrylic adhesive tape and aligned with the non-glare spacer
 - or –
- Grilles-Between-the-Glass³
 - Insulating glass contains 3/4" contoured aluminum grilles permanently installed between two panes of glass (exterior air-space on triple-pane insulating glass).
 - Patterns are [Traditional] [Prairie] [Cross] [Top Row] [Custom – Equally Divided].
 - Interior color is [Black] [White] [Brown₄] [Fossil] [Harvest] [Cordovan] [Ivory] [Tan₄] [Brickstone] [Putty₄].
 - Exterior color₅ is [Standard] [Feature]².

Screens

- InView™ Fiberglass
 - Black vinyl-coated 18/18 mesh fiberglass screen cloth complying with SMA 1201, set in aluminum frame fitted to outside of window, supplied complete with all necessary hardware.
 - Screen frame finish is baked enamel, color to match window cladding.

(1) Insulating glass with argon is Low-E coated (except high altitude). All other insulating glass (including high altitude Low-E) is air-filled.

(2) Contact your local Pella sales representative for current color options.

(3) Available in clear or Low-E and obscure insulating glass.

(4) Tan, Brown and Putty Interior GBG colors are available in single-tone (Brown/Brown, Tan/Tan or Putty/Putty). Other interior colors are also available with Tan or Brown exterior.

(5) Appearance of exterior grille color will vary depending on Low-E coating on glass.



Detailed Product Description - Wood Exterior

Frame

- Select woods, immersion treated with Pella's EnduraGuard® wood protection formula in accordance with WDMA I.S.-4. The EnduraGuard formula includes three active ingredients for protection against the effects of moisture, decay, stains from mold and mildew. Plus, an additional ingredient adds protection against termite damage.
- Interior exposed surfaces are [Pine] [Mahogany] (standard rectangular windows only). Any curved member may have visible finger-jointed surfaces.
- Exterior surfaces are [Pine: primed] [Mahogany: [primed] [ready-to-stain]].
- Overall frame depth is 4-3/8" (111mm) for a wall depth of 4-3/16" (106mm).
- Optional factory-applied jamb extensions available between 4-9/16" (116mm) and 7-3/16" (183mm) wall depths, with Pella's standard wood exterior trim.

Sash

- Select woods, immersion treated with Pella's EnduraGuard® wood protection formula in accordance with WDMA I.S.-4. The EnduraGuard formula includes three active ingredients for protection against the effects of moisture, decay, stains from mold and mildew. Plus, an additional ingredient adds protection against termite damage.
- Interior exposed surfaces are [Pine] [Mahogany] (standard rectangular windows only). Any curved member may have visible finger-jointed surfaces.
- Exterior surfaces are [Pine: primed] [Mahogany: [primed] [ready-to-stain]].
- Corners mortised and tenoned, glued and secured with metal fasteners.
- Sash thickness is 2-3/4" (70mm) for [11/16"] or [1"] glazing.
- Exterior sash profile is putty glaze, interior sash profile is ogee.

Weatherstripping

- Dual weatherstripping.
 - A foam filled close cell sheathed weatherstrip on the full frame perimeter is compressed between frame and sash for positive seal on all four sides.
 - Secondary leaf-type weatherstrip between edge of sash and frame.

Glazing System¹

- Quality float glass complying with ASTM C 1036.
- Silicone-glazed 11/16" dual-seal insulating glass [[annealed] [tempered]] [[clear] [Advanced Low-E coated with argon]] [SunDefense™ Low-E with Argon] [AdvancedComfort Low-E] [NaturalSun Low-E] [[bronze] [gray] [green] air-filled Advanced Low-E coated]].
- Custom and high altitude [with argon] glazing available.
 - or –
- Silicone-glazed triple-pane 1-1/16" dual-seal insulating glass [[annealed] [tempered]] [[Advanced Low-E with argon] [Advanced Low-E with krypton] [SunDefense™ Low-E with argon] [SunDefense™ Low-E with krypton] [NaturalSun Low-E with krypton] [Obscure [standard] [fern]].

Interior

- [Unfinished, ready for site finishing] [primed with one coat acrylic latex] [Pine: [Factory prefinished [White] [Bright White] [Linen White] [stain₃]].

Hardware

- Multi-point lock system—A single handle locking system engages multiple locking points around the sash.
- Finish of handle is [baked enamel, [Champagne] [White] [Brown]] [Satin Brass] [Satin Nickel] [Oil-Rubbed Bronze]. All vent units are available with left- or right-hand hinging.

Optional Products

Grilles

- Integral Light Technology® grilles
 - Interior grilles are [5/8"] [7/8"] [1-1/4"] [2"] ogee profile that are solid [pine] [mahogany]. Interior surfaces are [unfinished, ready for site finishing] [factory primed] [pine: factory prefinished [paint] [stain]₃].
 - Exterior grilles are solid [5/8" putty profile] [7/8" [putty] [ogee] profile] [1-1/4" [putty] [ogee] profile] [2" ogee profile] that are [pine] [mahogany]. Exterior surfaces are water repellent, preservative-treated in accordance with WDMA I.S.-4, and are [unfinished, ready for site finishing] [factory primed].
 - Patterns are [Traditional] [Prairie] [Top Row] [Cross] [New England] [Victorian] [Simulated French].
 - Insulating glass contains non-glare spacer between the panes of glass.
 - Grilles are adhered to both sides of the insulating glass with VHB acrylic adhesive tape and aligned with the non-glare spacer.

– or –

Grilles-Between-the-Glass₂

- Insulating glass contains 3/4" contoured aluminum grilles permanently installed between two panes of glass.
- Patterns are [Traditional] [Prairie] [Cross] [Top Row] [Custom – Equally Divided].
- Interior color is [Black] [White] [Brown₄] [Fossil] [Harvest] [Cordovan] [Ivory] [Tan₄] [Brickstone] [Putty₄].
- Exterior color₅ is [standard₃].

Screens

- InView™ Screens
 - Black vinyl-coated 18/18 mesh fiberglass screen cloth complying with SMA 1201, set in aluminum frame fitted to outside of window, supplied complete with all necessary hardware.
 - Screen frame finish is [baked enamel, white] [feature₃].

(1) Insulating glass with argon is Low-E coated. All other insulating glass is air-filled.

(2) Available in clear, Low-E and obscure insulating glass.

(3) Contact your local Pella sales representative for current color options.

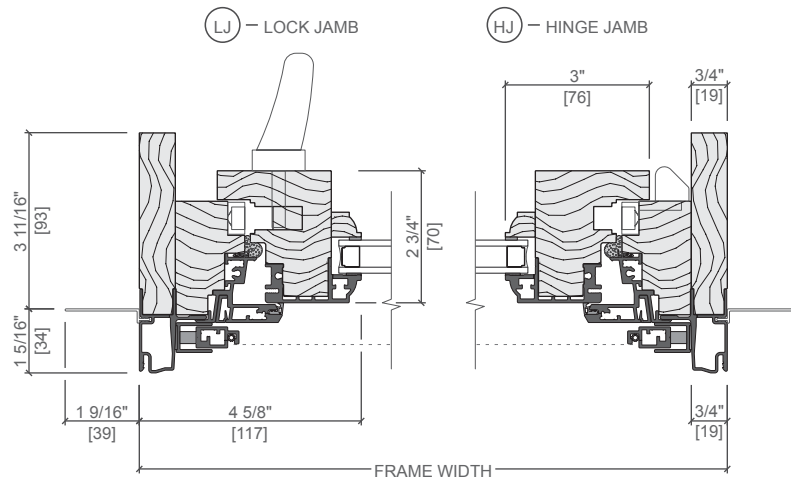
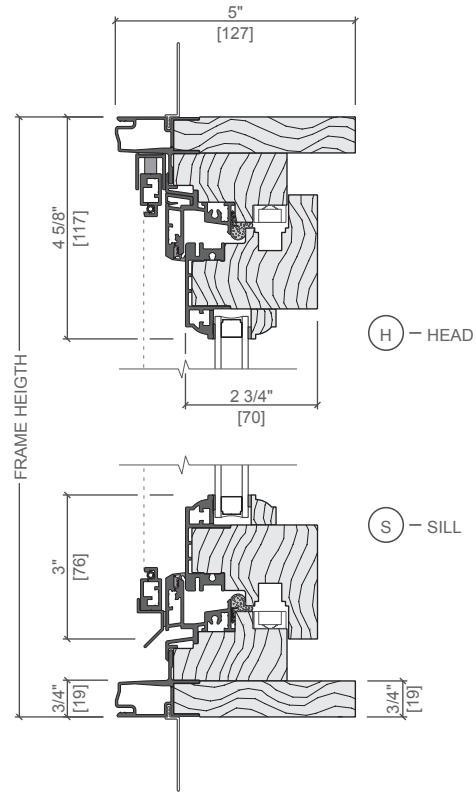
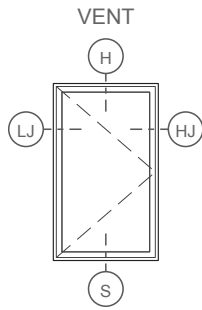
(4) Tan, brown and putty Interior GBG colors are available in single-tone (brown/brown, tan/tan or putty/putty). Other interior colors are also available with tan or brown exterior.

(5) Appearance of exterior grille color will vary depending on Low-E coating on glass.



Pella® Reserve™ In-Swing Casement Window

Unit Sections - Aluminum-Clad Exterior



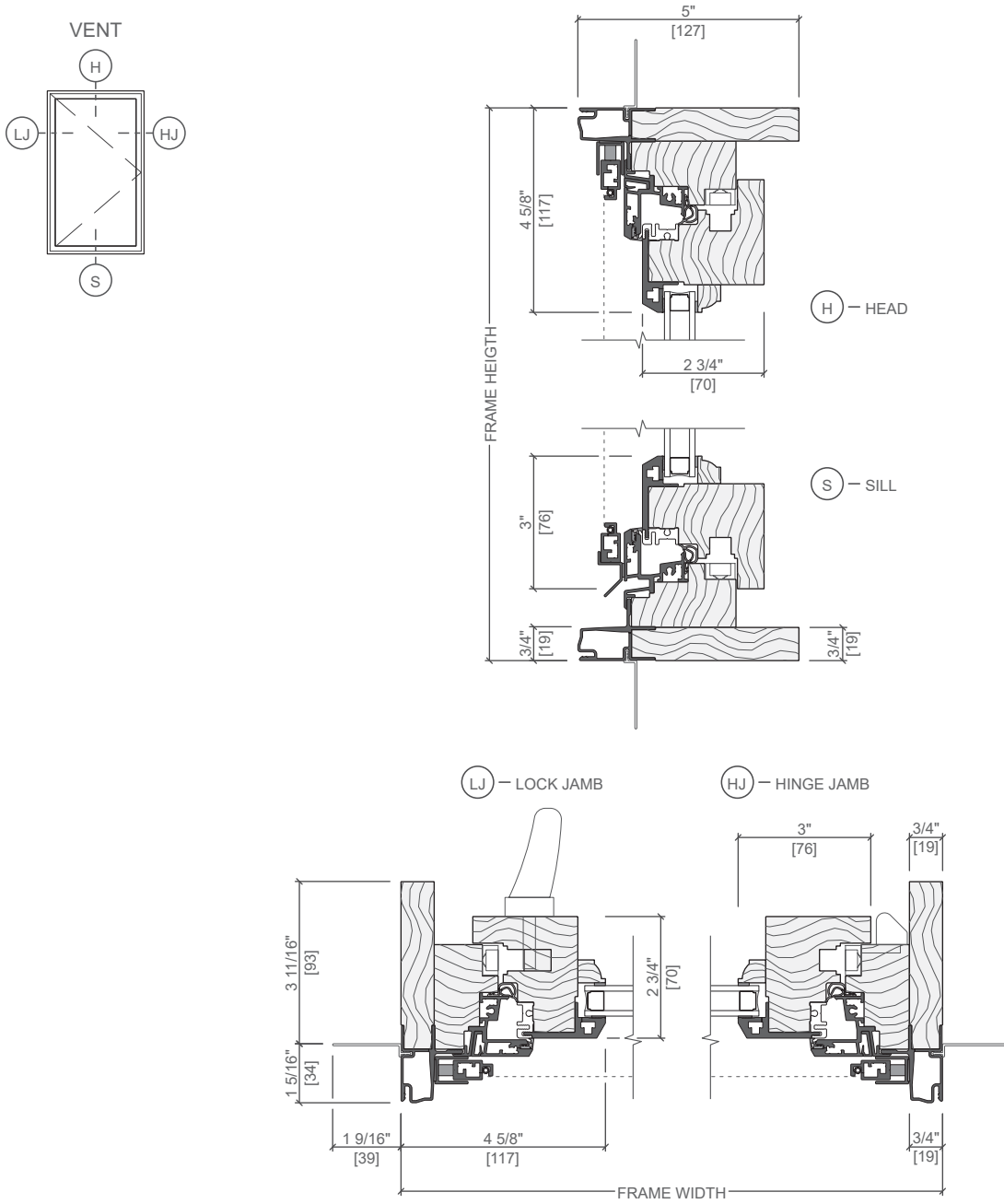
Scale 3" = 1' 0"

All dimensions are approximate.



Pella® Reserve™ In-Swing Casement Window

Unit Sections - Aluminum-Clad Exterior, Putty Glaze Profile



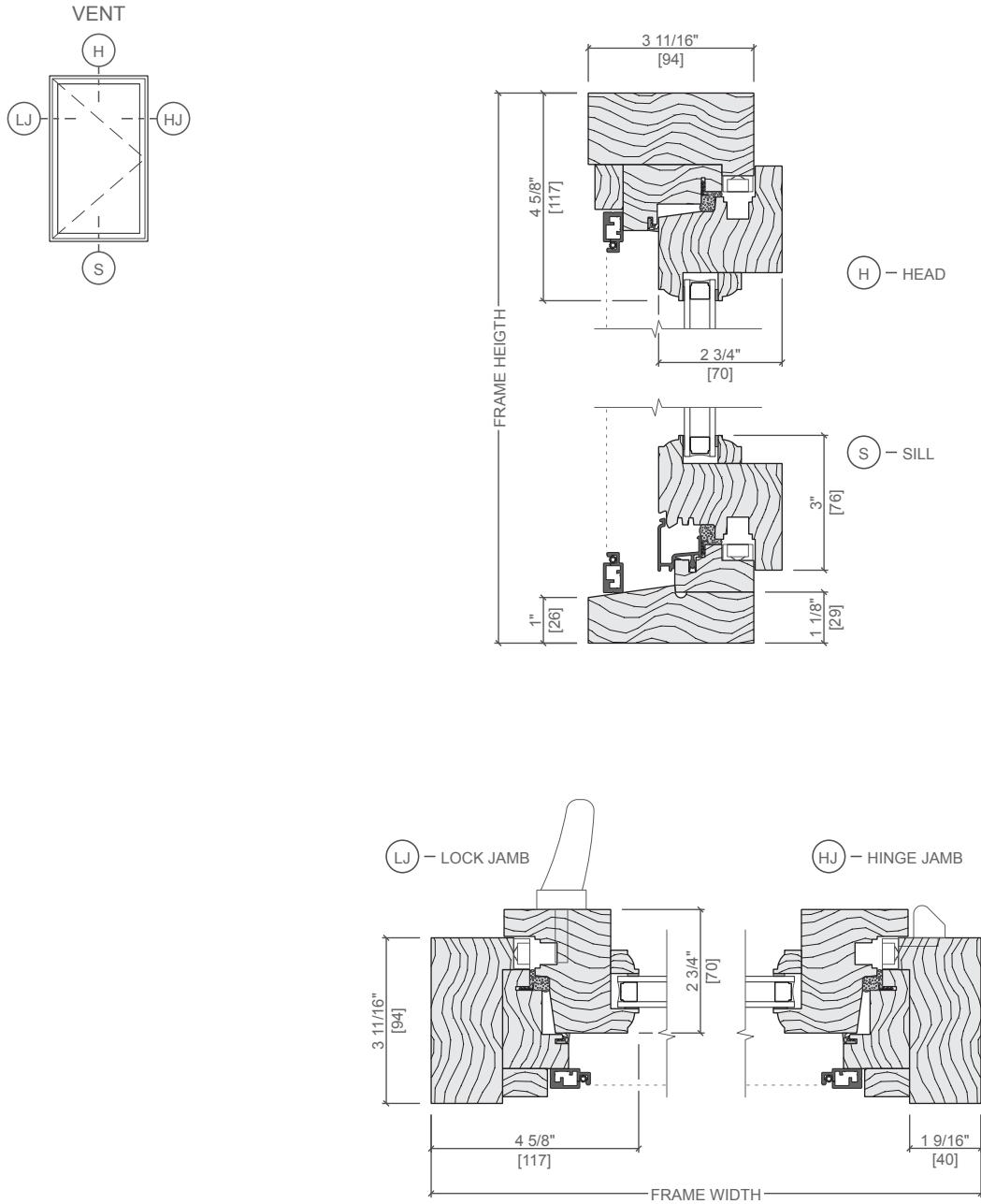
Scale 3" = 1' 0"

All dimensions are approximate.



Pella® Reserve™ In-Swing Casement Window

Unit Sections - Wood Exterior



Scale 3" = 1' 0"

All dimensions are approximate.