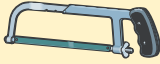




INSTALLATION INSTRUCTION JAMB EXTENSION FOR DOUBLE-HUNG

TOOLS REQUIRED:

- Jamb Extension
- Saw
- #6 x 1-1/2" Flathead wood screw
- Drill with 9/64" bit and #2 Phillips driver bit



REMEMBER TO USE APPROPRIATE PERSONAL PROTECTIVE EQUIPMENT.

The 4-9/16" and 6-9/16" wood jamb extensions for double-hung windows come in two parts; a jamb extension receptor and the wood jamb extension (sold separately). The receptors are designed with a barb that is inserted into the accessory groove on the interior of the double-hung window. The receptor ends are to be cut at 45° to the correct lengths to go around the window. The barbs will need to be notched where necessary. The wood jamb extensions use straight cuts to the necessary lengths, are assembled with screws, and inserted into the receptors around the window.

The 1/4" fiberglass resin jamb extensions have a barb that is inserted into the accessory groove and uses a straight cut when cutting to the correct length to go around the window. The barbs will need to be notched where necessary.

Pella recommends prepping and installing jamb extensions prior to installing the window.



Introduction - 12/2006



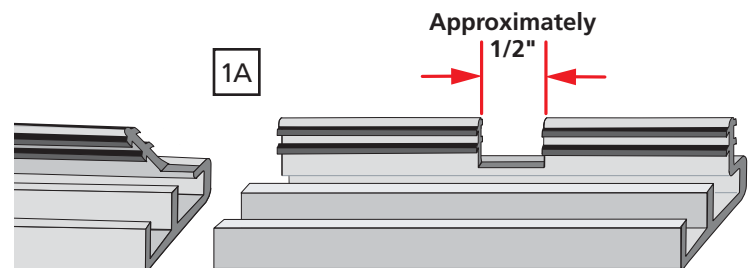
1/2007 - Current

Based on the sill design of the window, side jamb extensions will need to be notched differently.

Note: When installing jamb extensions on window with High Performance sill kit, remove the interior cover from the sill kit prior to installing jamb extension receptors.

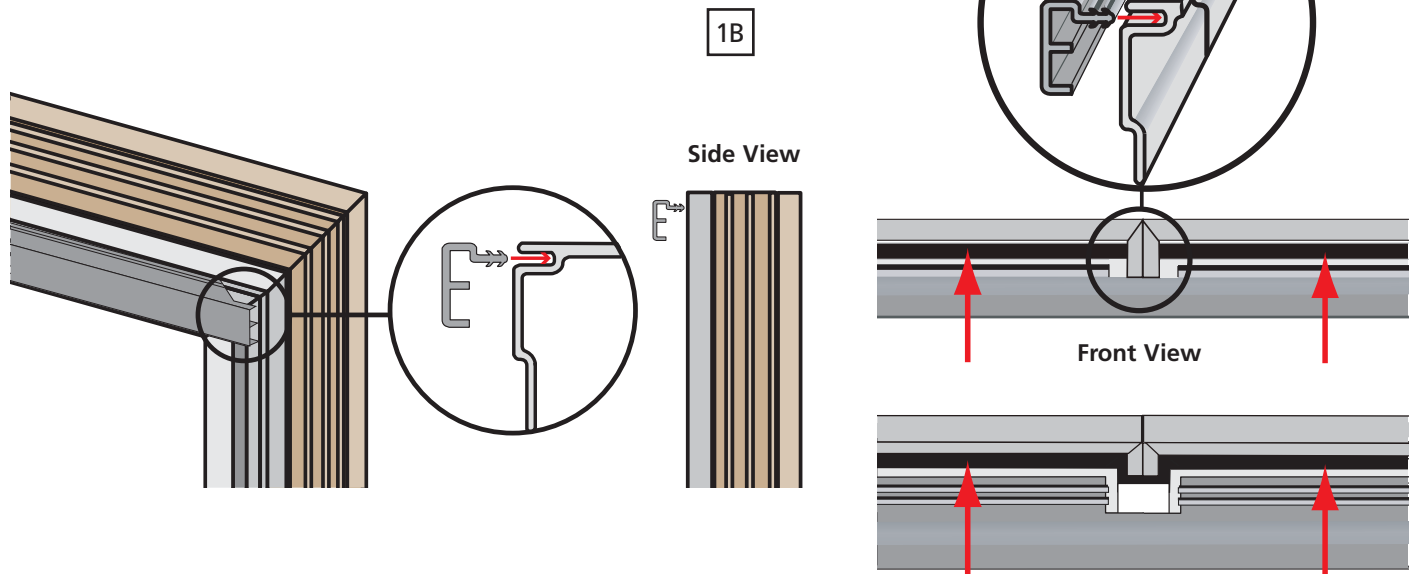
1 Installing 1/4" Jamb Extensions on Replacement Double-Hung:

- A. Cut the top and bottom jamb extensions to the proper length for the width of the window or window combination. Notch the ends of the top piece to allow for clearance of the edge of the frame and any sealant in the corners. If the jamb extension is to be used on a mulled combination, notch the barb in the center for clearance over where each frame edge meets together. The bottom piece does not need to be notched.



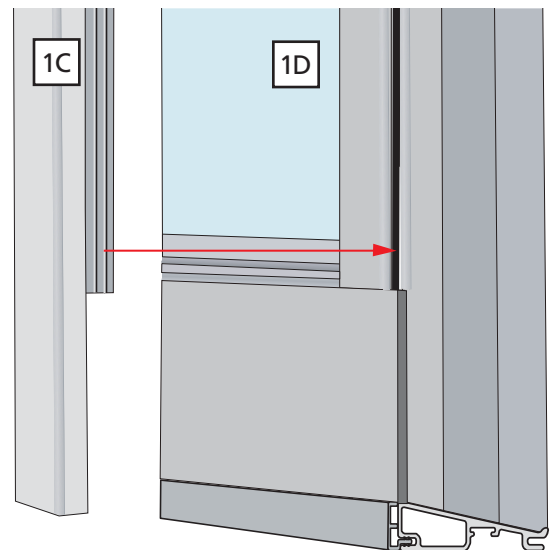
1 Installing Jamb Extensions on Replacement Double-Hung (continued):

B. Install the top and bottom jamb extensions by inserting the barb into the kerf, press into place along the width of the unit or composite.



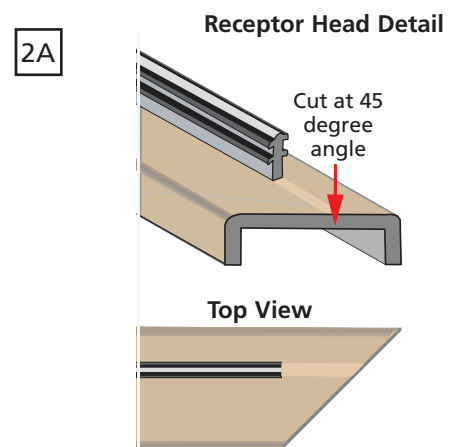
C. Measure and cut the side jamb extensions to the necessary length. If needed, notch the barb on the bottom end to clear the sill.

D. Install the jamb extension by inserting the barb into the accessory groove. Press into place.



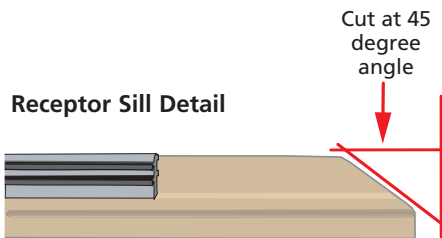
2 Installing Double-Hung Jamb Extensions Receptors and Jamb Extensions:

A. Cut the receptors at 45° angles on the ends and the wood jamb extensions with straight end cuts to the necessary length for the window or window combination. Notch the barb on the back side of the receptor to clear the frame edges at the top of the unit and any sealant in the corners. The notch on the side pieces needs to be bigger to clear the sill at the bottom on 1/2007-current units. If the jamb extension is to be used on a mulled combination, notch the barb in the center for clearance over where each frame edge meets together, see 1A and 1B.

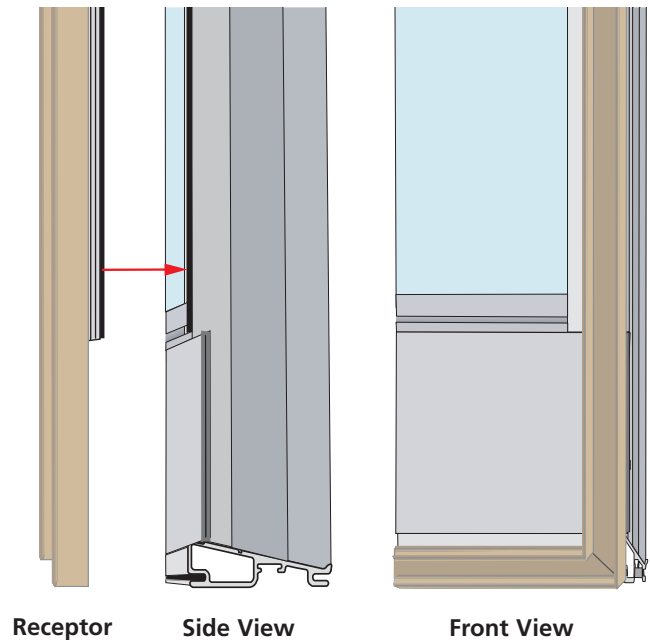


2 Installing Double-Hung Jamb Extensions Receptors and Jamb Extensions (continued):

- B. Insert and press the receptors into the accessory groove until they are fully seated.

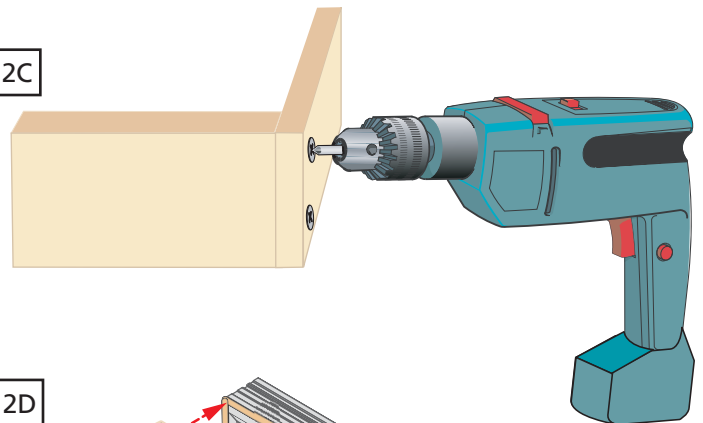


2B



- C. Assemble the wood jamb extensions into a frame using one or two #6 x 1-1/2" flathead wood screws at each corner. Pilot holes for the screws are recommended.

2C



- D. Insert the assembled wood frame into the receptors.
- E. Reinstall the High Performance sill kit interior cover. The interior cover will need to be cut at one or both ends to fit between the jamb extensions.
- F. Install the window per the installation instructions received with the window.

2D

