



FIELD APPLIED EXTERIOR CLAD TRIM AND FIN INSTALLATION FOR ENTRY DOOR

YOU WILL NEED TO SUPPLY:

- **Exterior sealant:** High quality exterior grade polyurethane sealant



ITEMS PROVIDED WITH KIT:

- (1) Installation Fin, Head
- (2) Installation Fin, Jamb
- (1) Aluminum Trim, Head
- (2) Aluminum Trim, Jamb
- (2) Butyl Tape

TOOLS REQUIRED:

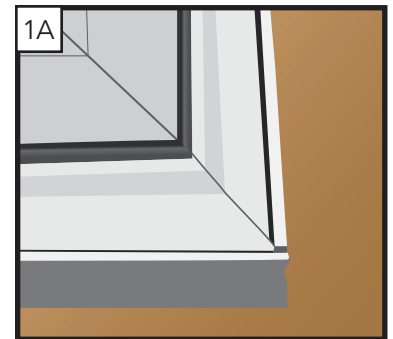
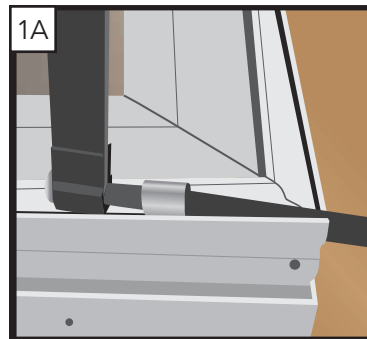
- Sealant gun
- Hammer
- Block of Wood
- Screwdriver (#2 Phillips)
- Hacksaw
- Needle-Nose Pliers



Cornerlocks, screws, and end caps provided with aluminum trim jamb pieces.

1 Fin Installation:

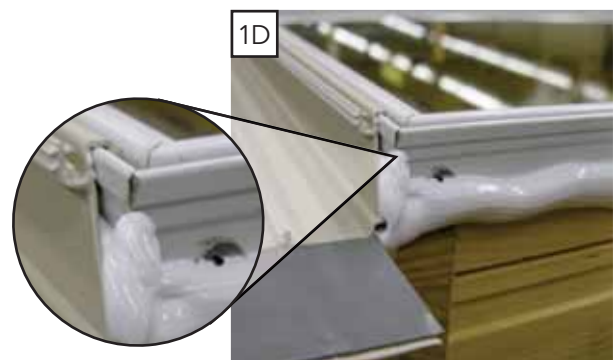
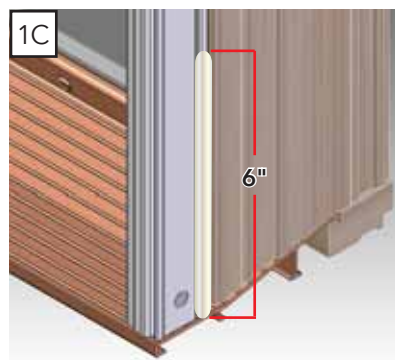
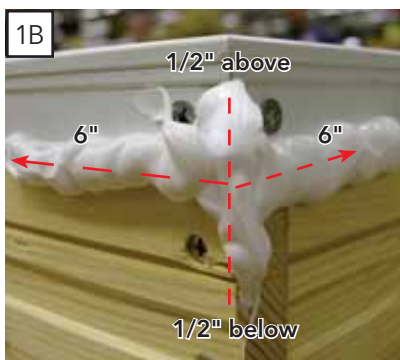
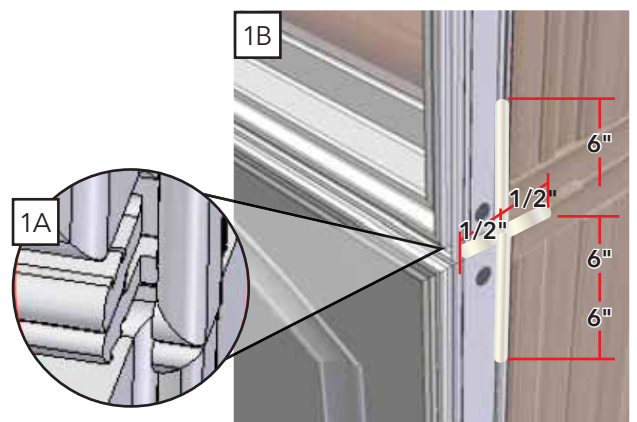
A. **Notch corner for installation fin clearance.** At each mullion corner, cut through the accessory groove leg with a hacksaw. Take care not to cut deeper than the accessory groove. If needed, bend off the cut corner with needle-nose pliers to create clearance from the fin.



B. **Place a 1/2" x 6" bead of sealant in the fin groove** at each head corner and at each mullion joint in both directions. At the corner and mullion joints, add 1/2" above and below the sealant to form a "t" pattern.

C. **Place a 1/2" bead of sealant in the fin groove** on the sill end of each jamb running 6" upward, towards the head of the unit.

D. **Apply the jamb fins first**, then apply the head fin making sure it overlaps the jambs. Make sure each fin is fully seated in the accessory and fin grooves of the unit. (A hammer and block of wood may help.) Place a piece of butyl tape at each corner on the fin to be over-lapped by the next fin being applied.



1 Fin Installation (continued):

E. **After all the fins are applied**, place a bead of sealant in each head corner to bridge the gap between each fin and the sealant applied in step 1B.

Replacement Applications: Follow steps in the instructions; 819Y- INSTALLATION INSTRUCTION ENTRY DOOR WITH EXTERIOR CLAD TRIM IN REPLACEMENT APPLICATIONS.

New Construction: Proceed to Step 2 – Clad Trim Installation.



2 Clad Trim Installation:

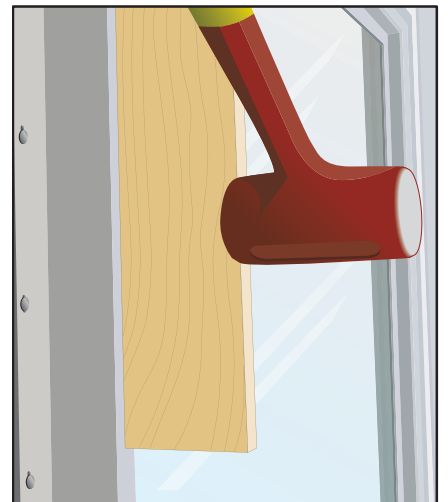
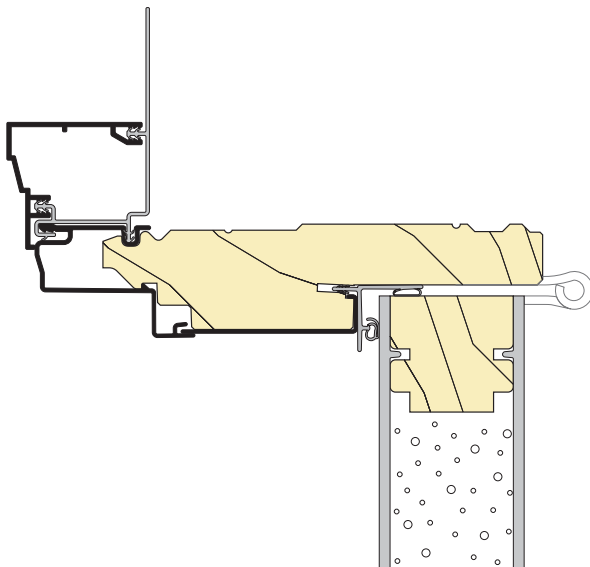
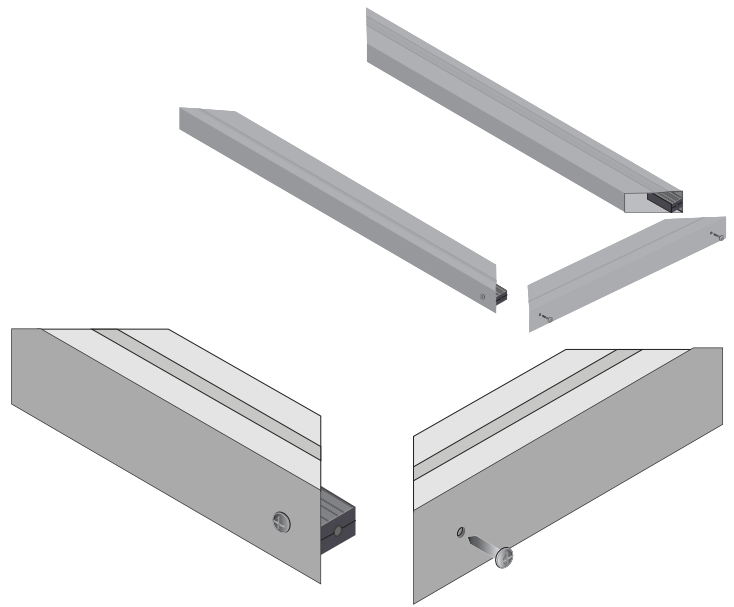
Units with structural mullion clips, unit must be installed prior to attaching trim. See Product installation instructions provided with the door.

A. **Remove clad trim from packaging** and place on a large, flat area positioning parts in the correct orientation.

B. **Attach the head part to the jambs** using the provided screws.

C. **Apply the clad trim assembly** to the unit by pressing it onto the barbs located on the fin.

Note: Use a hammer and a block of wood to assist in seating the brickmould onto the barbs. When fully seated the brickmould should be touching the window/door frame.



Product Installation: Reference the installation instructions provided with the door.