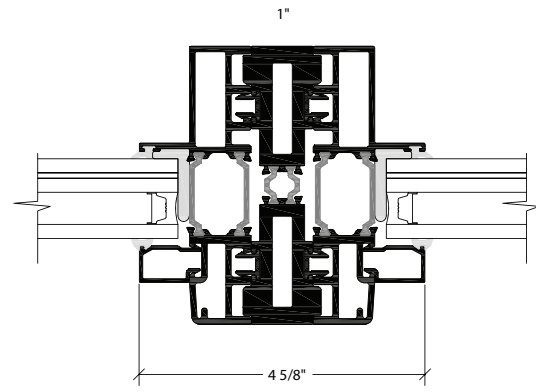


Direct Mull Assembly



Window Wall with 1" Reinforcing