

**Add timeless sophistication to your design with the true modern styling of a Bonelli aluminum pivot door.** With superior performance and options for every design, our pivot door solutions achieve your design vision without compromise.

#### SPECIFICATIONS

##### Product Dimensions

- Standard: 5-1/4" bottom rail with 3-1/4" stiles and top rail
- Custom: 5-1/8" stiles and top rail

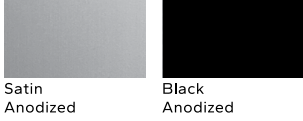
##### Configurations

- Left- or right-handed
- Interior or exterior pivot

##### Attachment Method

- Block Frame

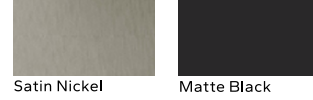
## FRAME FINISHES



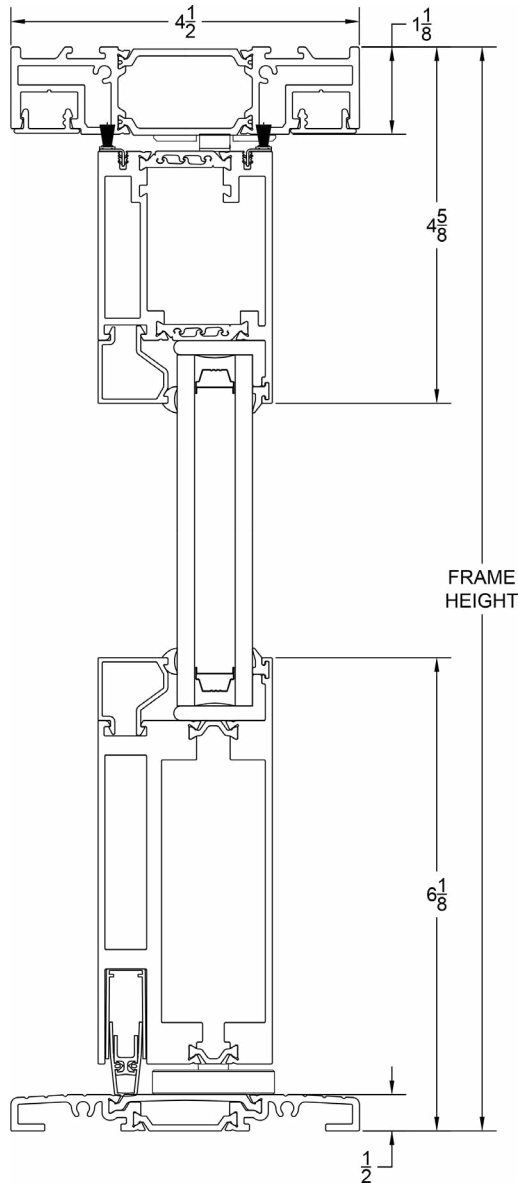
## HARDWARE

- Standard: 48" or 72" Ladder Pull Bar
- Roller Catches with Deadbolt
- FritsJurgen Pivot System

## HARDWARE FINISH OPTIONS



## CROSS SECTION



Pivot Door Cross Section