

Features and Options .....	CD-2
Size and Performance Data.....	CD-2
Glazing Performance.....	CD-3
Design Data .....	CD-4
Detailed Product Descriptions .....	CD-5
Unit Sections	
Dual-Pane Glazing Narrow Stile .....	CD-7
Dual-Pane Glazing Wide Stile.....	CD-10

**Document Navigation Tips:**

Items listed in the table of contents above are active links that will take you to the corresponding page.  
The logo on each page is a link back to this table of contents.  
Bookmarks are also included in this PDF document and are available as an additional navigation option.

Sizes	
Standard Sizes	●
Special Sizes	●
8' Door Heights	●

**Features and Options**

**Glazing**

**Glazing Type**

Dual-Pane Tempered Insulating Glass
Triple-Pane Tempered Insulating Glass
Dual-Pane Laminated Insulating Glass

**Insulated Glass Options/Low-E Types**

Low-E 366
Low-E 366/i89
Low-E 270

**Gas Fill**

Argon (High-altitude is air-filled only)
--

**Frame and Panels**

Thermally Broken Aluminum
---------------------------

**Finishes<sup>1</sup>**

Satin Anodized, Black Anodized
--------------------------------

**Hardware**

**Finishes<sup>1</sup>**

Satin Nickel, Black
---------------------

	Wide Stile
<b>Performance Data<sup>2</sup></b>	
<b>Low Profile Sill - Non-Impact Glazing</b>	
Meets or Exceeds AAMA/WDMA Ratings	— Not Certified
Air Infiltration (cfm/ft <sup>2</sup> of frame @ 1.57 psf wind pressure)	—
Water Resistance	—
Design Pressure	—

**Other Performance Criteria**

Forced Entry Resistance Level (Minimum Security Grade) <sup>3</sup>	—
---	---

(—) = Not Available

(1) Contact your local sales representative for current designs and color options.

(2) Maximum performance for single unit when glazed with the appropriate glass thickness. Doors supplied without latching hardware are not AAMA/WDMA performance certified. See Design Data pages in this section for specific product performance class and grade values.

(3) The higher the level, the greater the product's ability to resist forced entry. Valid only if Manufacturer supplied locking system is used.

NOTE: Performance with additional options may not be the same as Standard and Special size units. Please contact your local Pella representative for complete information.



Glazing Thickness	Type of Glazing	NFRC Certified Product #	Glass (mm)		Gap Fill	Performance Values <sup>1</sup>				Shaded Areas Meet ENERGY STAR® Performance Criteria in Zones Shown				
			Ext.	Int.		U-Factor	SHGC	VLT %	CR	U. S.		Canada <sup>2</sup>		
										Zone	ER	Zone	ER	
<b>Outswing Dual-Pane Glazing - Wide Stiles / Top Rail with 10" Bottom Rail</b>										<b>N</b>	<b>NC</b>	<b>SC</b>	<b>S</b>	<b>CA</b>
1"	366/ clear	BNE-A-17-03787-00001	5	5	Argon	0.40	0.15	0.32	49					
1"	366/ i89	BNE-A-17-03807-00001	5	5	Argon	0.38	0.15	0.31	49					
1"	270/ clear	BNE-A-17-03779-00001	5	5	Argon	0.41	0.20	0.34	49					
1"	366/ clear	BNE-A-17-03785-00001	5	5	Air	0.43	0.15	0.32	49					
1"	366/ i89	BNE-A-17-03805-00001	5	5	Air	0.39	0.15	0.31	46					
1"	270/ clear	BNE-A-17-03777-00001	5	5	Air	0.43	0.20	0.34	49					

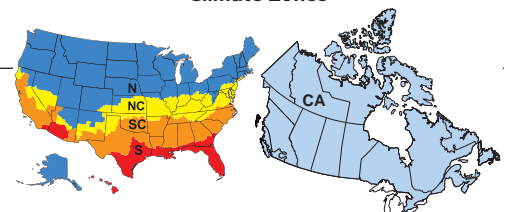
R-Value = 1/U-Factor  
 SHGC = Solar Heat Gain Coefficient  
 VLT % = Visible Light Transmission  
 CR = Condensation Resistance  
 ER = Canadian Energy Rating

(1) Glazing performance values are calculated based on NFRC 100, NFRC 200 and NFRC 500. ENERGY STAR® values are updated to 2023 (version 7) criteria.

(2) The values shown are based on Canada's updated ENERGY STAR® 2020 initiative.

Visit [www.energystar.gov](http://www.energystar.gov) for Energy Star guidelines.

Climate Zones



Commercial Out-Swing Hinged Door Design Data

Unit	Actual Frame Size	Clear Opening (Inches) <sub>1</sub>			Vent Area (Low Profile Sill)	Visible Glass Ft <sup>2</sup> (Low Profile Sill)	Standard Glass Thickness (mm) Tempered		Performance Class & Grade <sub>2</sub>	
		Width (Inches) (172°)	Width (Inches) (90°)	Low Profile Sill Height			Dual-Pane Glazing	Triple-Pane Glazing		
3696	L/R	35.5 x 95.5	31.9	30.0	93.2	19.4	11.9	5	5	-
3896	L/R	37.5 x 95.5	33.9	32.0	93.2	20.7	13.0	5	5	-
4896	L/R	47.5 x 95.5	43.9	42.0	93.2	27.2	18.3	5	5	-
7296	AP/PA	71.5 x 95.5	67.9	66.0	93.2	42.7	25.3	5	5	-
7696	AP/PA	75.5 x 95.5	71.9	70.0	93.2	45.3	27.5	5	5	-
9696	AP/PA	95.5 x 95.5	91.9	90.0	93.2	58.3	38.0	5	5	-

	Frame Width		Frame Height	
	Minimum	Maximum	Minimum	Maximum
Single Doors	39.5"	51.5"	79.25"	97.5"
Double Doors	72.6256"	100.6156"	80"	97.5"

Special Size widths available in 1" increments for single doors, 2" increments for double doors.

Special Size heights available in 1/4" increments

Hardware Handle	Dimension from bottom of panel to center of lock thumbturn
Offset Pull/Push Bar	36"

Dimension	Single Doors	Double Doors
Rough Opening Width	FW + .5	
Rough Opening Height	FH + .5	
Clear Opening Width (Approximate)	90 deg - FW - 5.4827 172 deg - FW - 3.581	90 deg - FW - 7.3866 172 deg - FW - 3.581
Clear Opening Height	Low Profile Sill: FH - 2.291	
Visible Glass Width	Wide Stiles: FW - 13.044	Wide stiles: FW - 23.7028
Visible Glass Height	Wide stiles (Low profile sill): FH - 12.441	

(-) = Not Applicable

(1) All dimensions are approximate to the nearest 1/16".

(2) Maximum performance when glazed with the appropriate glass thickness. All doors and sidelights are Tempered glass.

To convert areas to square meters (m<sup>2</sup>), multiply square feet by 0.0929.



### Detailed Product Description

#### Frame

- Extruded aluminum head and jambs with thermal breaks.
- Extruded aluminum low-profile sill with thermal breaks.
- Frame Finish is [Satin Anodized] [Black Anodized].
- Frame Depth 4-1/2"

#### Door Panels

- Extruded aluminum Wide Stiles/Rails and 10" lower rail with thermal breaks.
- Corners are secured with metal fasteners.

#### Weatherstripping

- Extruded pile with quiet fin on all sides of door panel.
- Dual-durometer extruded polymer on jambs and head.

#### Glazing System<sup>1</sup>

- Quality fully-tempered float glass complying with ASTM C 1048.
- High altitude glazing available.
- Silicone-glazed, 1" double-pane, dual-seal, insulating glass
- [[366/Clear] [366/i89] [270/Clear] Low-E [with argon]].

#### Hardware

- Handles
  - Offset Pull/Push Bar [Satin Nickel] [Black].
- Hinges
  - Adjustable hinges to assist in installation.
  - Doors up to 9'0" have three (3) 2-leaf hinges.
  - Doors between 9'0" and 10'0" have four (4) 2-leaf hinges.
  - Hinge finish to match handle hardware color.

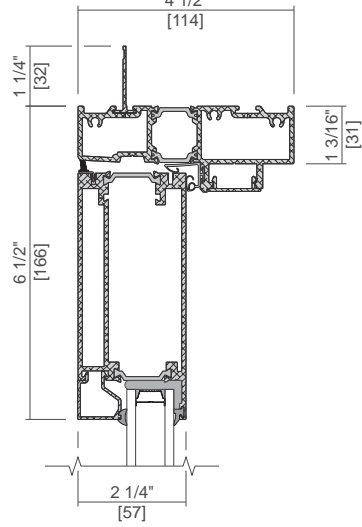
---

(1) Insulating glass with argon is Low-E coated. All other insulating glass is air-filled.

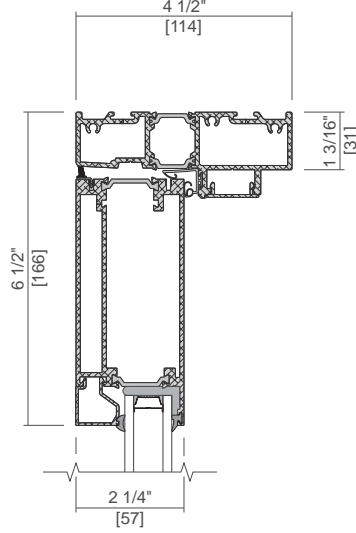


**WIDE STILE**

Standard Nailing Fin

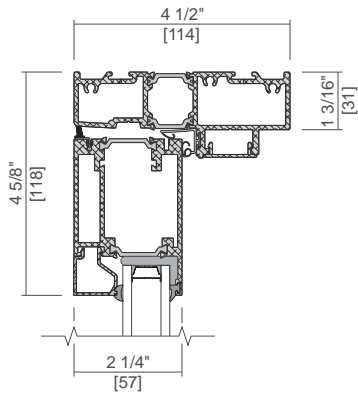


Standard Block Frame

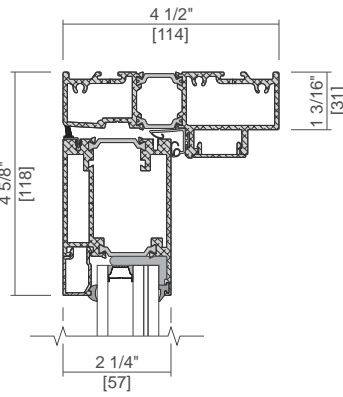


**GLAZING OPTIONS**

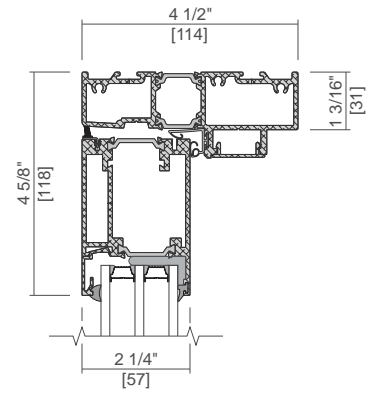
1" Dual IG



1-1/4" Impact IG



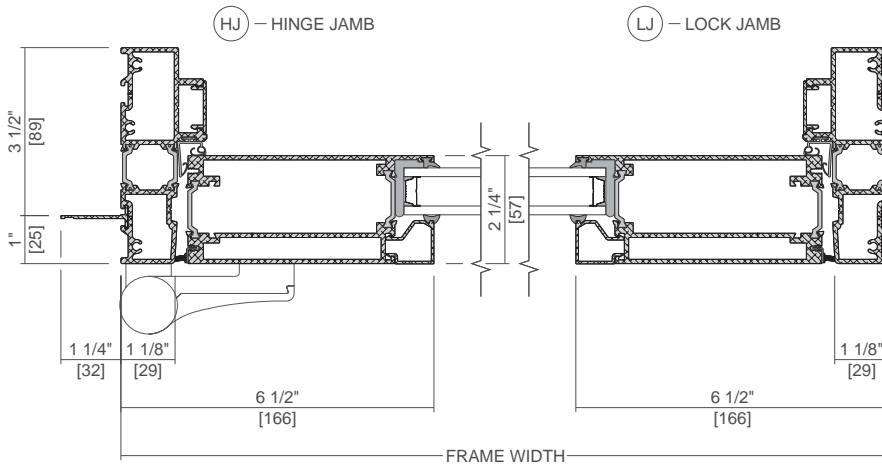
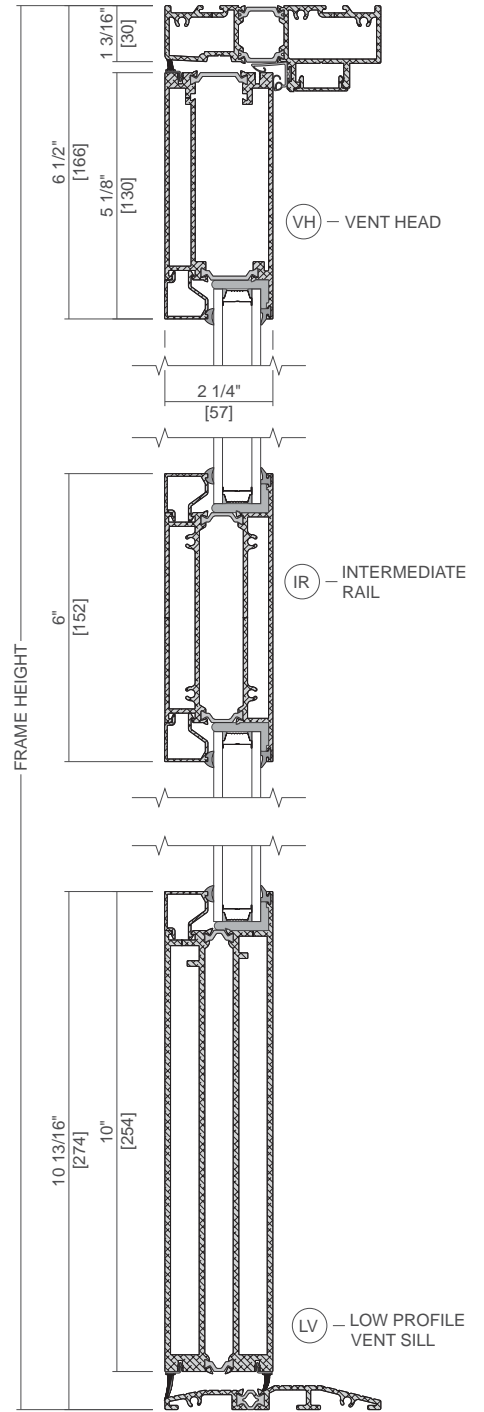
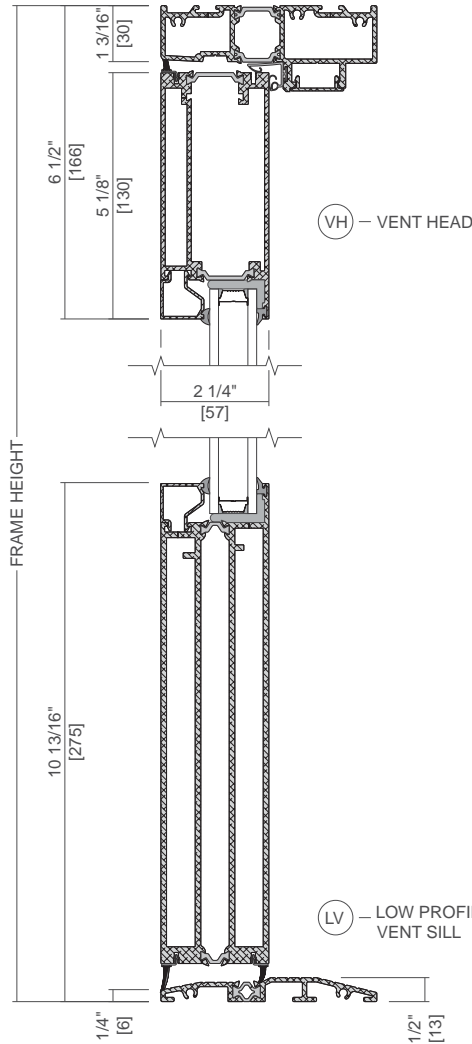
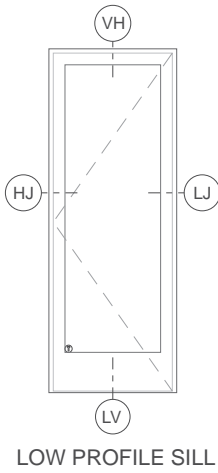
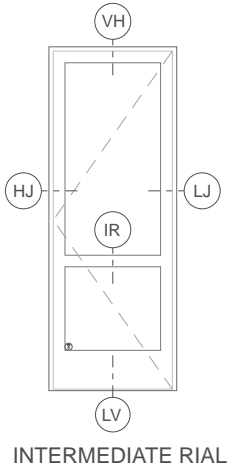
1-5/8" Triple IG



Scale 3" = 1' 0"

All dimensions are approximate.

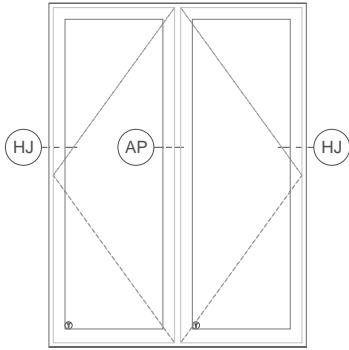
Rev. 08/01/2024



Scale 3" = 1' 0"

All dimensions are approximate.

Rev. 08/01/2024



LOW PROFILE SILL

