

Features and Options .....	FF-2
Size and Performance Data.....	FF-2
Glazing Performance.....	FF-3
Design Data .....	FF-4
Detailed Product Descriptions .....	FF-5
Unit Sections	
Frame Types and Glazing Options.....	FF-6
Box/Block Frame .....	FF-7
Nail Fin.....	FF-8

**Document Navigation Tips:**

Items listed in the table of contents above are active links that will take you to the corresponding page.

The logo on each page is a link back to this table of contents.

Bookmarks are also included in this PDF document and are available as an additional navigation option.

Features and Options

**Glazing**

**Glazing Type**

Dual-Pane Insulating Glass

Triple-Pane Insulating Glass

**Insulated Glass Options/Low-E Types**

Low-E 366

Low-E 366/i89

Low-E 270

**Gas Fill**

Argon

Air Filled (Only available on High Altitude Products)

**Frame**

Thermally Broken Aluminum, Block/Box Frame, Nail-Fin

**Finishes<sub>1</sub>**

Satin Anodized, Black Anodized

**Hardware**

**Finishes<sub>1</sub>**

Satin Nickel, Black

**Performance Data<sub>2</sub>**

**Standard Glazing**

Meets or Exceeds AAMA / WDMA Ratings

LC50

Air Infiltration (cfm/ft<sup>2</sup> of frame @ 1.57 psf wind pressure)

—

Water Resistance

—

Design Pressure

—

**Other Performance Criteria**

Forced Entry Resistance Level (Minimum Security Grade)<sub>3</sub>

—

(-) = Not Available

(1) Contact your local sales representative for current designs and color options.

(2) Maximum performance for single unit when glazed with the appropriate glass thickness. See Design Data pages in this section for specific product performance class and grade values.

(3) The higher the level, the greater the product's ability to resist forced entry. Valid only if Manufacturer supplied locking system is used.

NOTE: Performance with additional options may not be the same as Standard and Special size units. Please contact your local sales representative for complete information.

Glazing Thickness	Type of Glazing	NFRC Certified Product #	Glass (mm)		Gap Fill	Performance Values <sub>1</sub>				Shaded Areas Meet ENERGY STAR® Performance Criteria in Zones Shown						
			Ext.	Int.		U-Factor	SHGC	VLT	CR	U. S.				Canada <sub>2</sub>		
										Zone				ER	Zone	
<b>Fixed Frame Dual-Pane</b>											<b>N</b>	<b>NC</b>	<b>SC</b>	<b>S</b>		<b>CA</b>
1"	366/ clear	BNE-A-14-00017-00001	5	5	Argon	0.30	0.24	0.55	61							
1"	366/ i89	BNE-A-14-00037-00001	5	5	Argon	0.25	0.23	0.53	52		NC	SC	S			
1"	270/ clear	BNE-A-14-00009-00001	5	5	Argon	0.30	0.31	0.59	61							
1"	366/ clear	BNE-A-14-00015-00001	5	5	Air	0.34	0.24	0.55	59							
1"	366/ i89	BNE-A-14-00035-00001	5	5	Air	0.28	0.23	0.53	48			SC	S			
1"	270/ clear	BNE-A-14-00007-00001	5	5	Air	0.34	0.32	0.59	58							

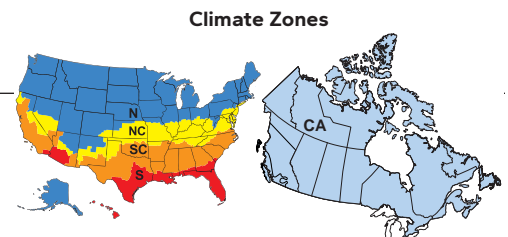
Glazing Thickness	Type of Glazing	NFRC Certified Product #	Glass (mm)			Gap Fill	Performance Values <sub>1</sub>				Shaded Areas Meet ENERGY STAR® Performance Criteria in Zones Shown					
			Ext.	Mid	Int.		U-Factor	SHGC	VLT	CR	U. S.				Canada <sub>2</sub>	
											Zone				ER	Zone
<b>Fixed Frame Triple-Pane</b>											<b>N</b>	<b>NC</b>	<b>SC</b>	<b>S</b>		<b>CA</b>
1-5/8"	366/ clear/ 180	BNE-A-14-00105-00002	5	5	5	Argon	0.20	0.21	0.48	66	N	NC	SC	S		
1-5/8"	366/ 180/ i89	BNE-A-14-00125-00002	5	5	5	Argon	0.21	0.21	0.46	57	N	NC	SC	S		
1-5/8"	270/ clear/ 180	BNE-A-14-00097-00002	5	5	5	Argon	0.20	0.28	0.51	66	N	NC				
1-5/8"	366/ clear/ 180	BNE-A-14-00103-00002	5	5	5	Air	0.23	0.21	0.48	66		NC	SC	S		
1-5/8"	366/ 180/ i89	BNE-A-14-00123-00002	5	5	5	Air	0.24	0.21	0.46	53		NC	SC	S		
1-5/8"	270/ clear/ 180	BNE-A-14-00095-00002	5	5	5	Air	0.23	0.28	0.51	66		NC				

R-Value = 1/U-Factor  
 SHGC = Solar Heat Gain Coefficient  
 VLT % = Visible Light Transmission  
 CR = Condensation Resistance  
 ER = Canadian Energy Rating

(1) Glazing performance values are calculated based on NFRC 100, NFRC 200 and NFRC 500. ENERGY STAR® values are updated to 2023 (version 7) criteria.

(2) The values shown are based on Canada's updated ENERGY STAR® 2020 initiative.

Visit [www.energystar.gov](http://www.energystar.gov) for Energy Star guidelines.



Design Data

Special Sizes

	Frame Width		Frame Height	
	Minimum	Maximum	Minimum	Maximum
Tempered Glass	12"	144" (72 sq. ft.)	12"	144" (72 sq. ft.)
Annealed Glass	12"	120" (50 sq. ft.)	12"	120" (50 sq. ft.)

Special Sizes available in 1/16" Increments

Dimension	Formula
Rough Opening Width	FW + .5"
Rough Opening Height	FH + .5"
Visible Glass	FW - 3.6269" FH - 3.6269"
Actual Glass	FW - 2.3769" FH - 2.3769"

(-) = Not Applicable

All doors and sidelights are Tempered glass.

To convert areas to square meters (m<sup>2</sup>), multiply square feet by 0.0929.



### Detailed Product Description

#### Frame

- Extruded aluminum with thermal breaks [Block frame] [nail-fin frame].
- Overall Frame Depth 4-1/2" on all frame types
- Corners are secured with metal fasteners.
- Frame Finish is [Satin Anodized] [Black Anodized]<sup>2</sup>.
- All surfaces are smooth and uniform in appearance.

#### Glazing System<sup>1</sup>

- Quality fully-tempered float glass complying with ASTM C 1048.
- High altitude glazing available.
- Silicone-glazed, 1" double-pane, dual-seal, insulating glass [[annealed] [tempered]]
- [[366/Clear] [366/i89] [270/Clear] Low-E [with argon]]

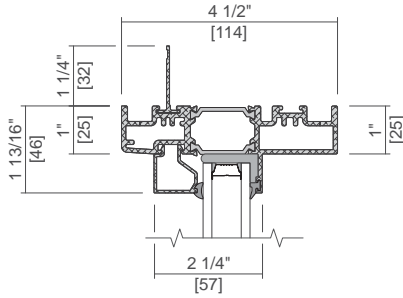
(1) Insulating glass with argon is Low-E coated. All other insulating glass is air-filled.

(2) Contact your local sales representative for current color options.

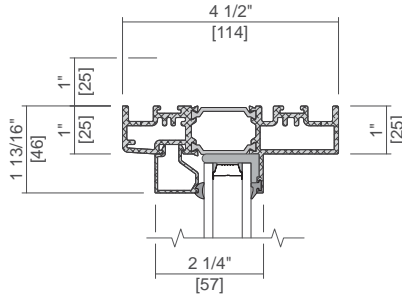


**DIRECT SET**

Standard Nailing Fin



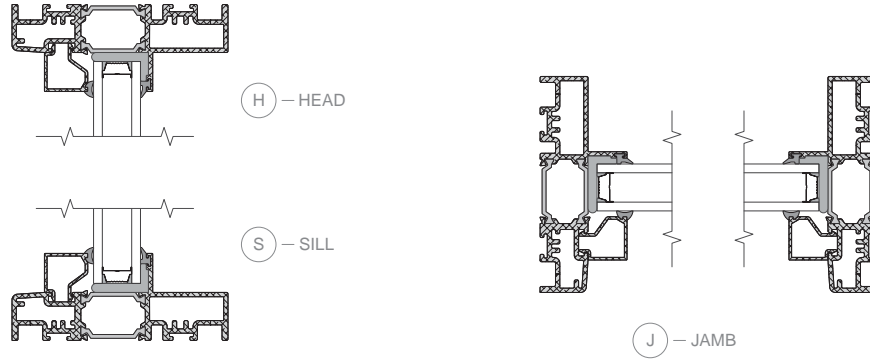
Standard Block Frame

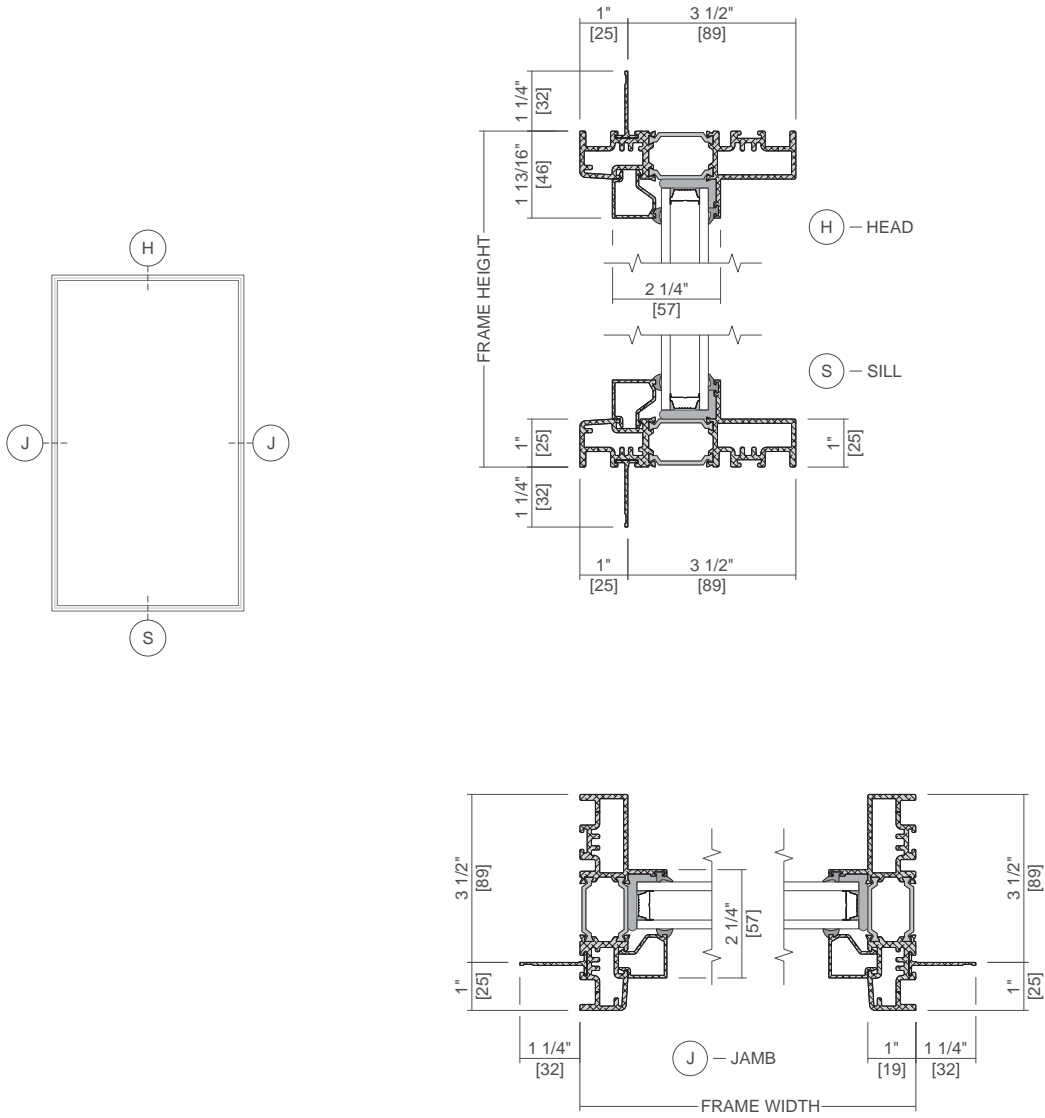


Scale 3" = 1' 0"

All dimensions are approximate.

## Unit Sections - Box/Block Frame



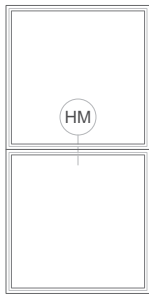


Scale 3" = 1' 0"

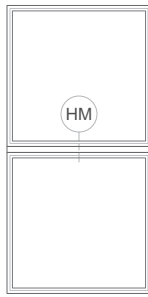
All dimensions are approximate.



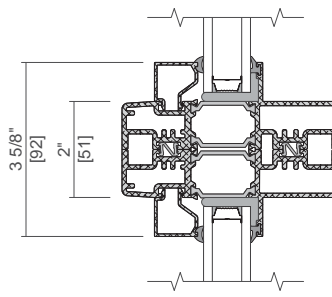
Unit Sections - Mullions



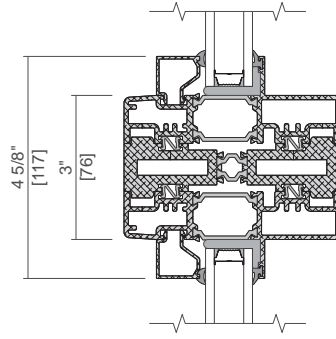
HORIZONTAL  
TIGHT MULLION



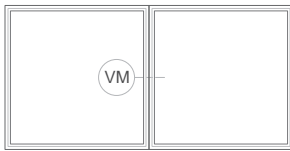
HORIZONTAL  
1" MULLION



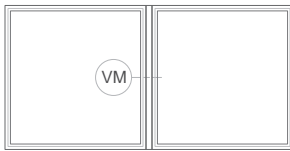
HM - HORIZONTAL  
TIGHT MULLION



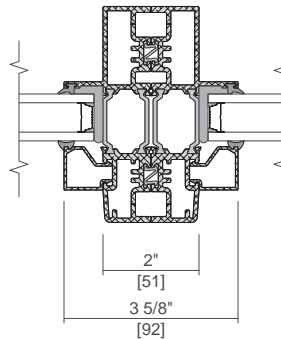
HM - HORIZONTAL  
1" MULLION



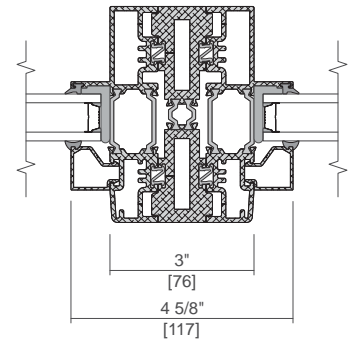
VERTICAL TIGHT MULLION



VERTICAL 1" MULLION



HM - VERTICAL  
TIGHT MULLION



HM - VERTICAL  
1" MULLION