

Features and Options	HD-2
Size and Performance Data.....	HD-2
Glazing Performance	
In-swing Narrow Stiles	HD-3
In-swing Wide Stiles	HD-5
Out-swing Narrow Stiles.....	HD-7
Out-swing Wide Stiles	HD-9
Design Data	HD-11
Detailed Product Descriptions	HD-13
Unit Sections	
Frame Types and Glazing Options.....	HD-14
In-Swing Dual-Pane Glazing, Narrow Stiles	HD-15
In-Swing Dual-Pane Glazing, Wide Stiles	HD-18
Out-Swing Dual-Pane Glazing, Narrow Stiles.....	HD-21
Out-Swing Dual-Pane Glazing, Wide Stiles	HD-24

Document Navigation Tips:

Items listed in the table of contents above are active links that will take you to the corresponding page.

The logo on each page is a link back to this table of contents.

Bookmarks are also included in this PDF document and are available as an additional navigation option.

Sizes	
Standard Sizes	●
Special Sizes	●
8' Door Heights	●
9' Door Heights	●
10' Door Heights	●

Features and Options

Glazing	
Glazing Type	
Dual-Pane Tempered Insulating Glass	
Triple-Pane Tempered Insulating Glass	
Dual-Pane Laminated Insulating Glass	
Insulated Glass Options/Low-E Types	
Low-E 366	
Low-E 366/i89	
Low-E 270	
Additional Glass Options	
Satin Etch Obscure Glass	
Gas Fill	
Argon	
Air Filled (Only available on High Altitude Products)	
Frame and Panels	
Thermally Broken Aluminum	
Finishes ₁	
Satin Anodized, Black Anodized	
Hardware	
Finishes ₁	
Satin Nickel, Black	

Performance Data ₂	
Standard - Non-Impact Glazing	
Meets or Exceeds AAMA/WDMA Ratings	— Not Certified
Air Infiltration (cfm/ft ² of frame @ 1.57 psf wind pressure)	—
Water Resistance	—
Design Pressure	—

Other Performance Criteria	
Forced Entry Resistance Level (Minimum Security Grade) ₃	—

(-) = Not Available

(1) Contact your local sales representative for current designs and color options.

(2) Maximum performance for single unit when glazed with the appropriate glass thickness. See Design Data pages in this section for specific product performance class and grade values.

(3) The higher the level, the greater the product's ability to resist forced entry. Valid only if Manufacturer supplied locking system is used.

NOTE: Performance with additional options may not be the same as Standard and Special size units. Please contact your local sales representative for complete information.



Glazing Thickness	Type of Glazing	NFRC Certified Product #	Glass (mm)		Gap Fill	Performance Values ₁				Shaded Areas Meet ENERGY STAR® Performance Criteria in Zones Shown					
			Ext.	Int.		U-Factor	SHGC	VLT	CR	U. S.				Canada ₂	
										Zone				ER	Zone
In-swing Dual-Pane - Narrow - Std Sill											N	NC	SC	S	CA
1"	366/ clear	BNE-A-17-00797-00001	5	5	Argon	0.36	0.19	0.42	42						
1"	366/ i89	BNE-A-17-00817-00001	5	5	Argon	0.33	0.18	0.41	41						
1"	270/ clear	BNE-A-17-00789-00001	5	5	Argon	0.37	0.25	0.45	42						
1"	366/ clear	BNE-A-17-00795-00001	5	5	Air	0.39	0.19	0.42	42						
1"	366/ i89	BNE-A-17-00815-00001	5	5	Air	0.35	0.19	0.41	41						
1"	270/ clear	BNE-A-17-00787-00001	5	5	Air	0.39	0.25	0.45	42						
In-swing Dual-Pane Laminated - Narrow - Std Sill															
1-1/4"	366/ clear	BNE-A-17-00845-00004	5	11	Argon	0.37	0.19	0.41	43						
1-1/4"	366/ i89	PENDING	5	11	Argon										
1-1/4"	270/ clear	BNE-A-17-00845-00002	5	11	Argon	0.39	0.21	0.36	44						
1-1/4"	366/ clear	BNE-A-17-00841-00004	5	11	Air	0.40	0.19	0.41	42						
1-1/4"	366/ i89	PENDING	5	11	Air										
1-1/4"	270/ clear	BNE-A-17-00841-00002	5	11	Air	0.42	0.21	0.36	44						
In-swing Dual-Pane - Narrow - Low Profile Sill															
1"	366/ clear	BNE-A-17-00017-00001	5	5	Argon	0.36	0.19	0.42	42						
1"	366/ i89	BNE-A-17-00037-00001	5	5	Argon	0.32	0.18	0.41	41						
1"	270/ clear	BNE-A-17-00009-00001	5	5	Argon	0.36	0.25	0.45	42						
1"	366/ clear	BNE-A-17-00015-00001	5	5	Air	0.39	0.19	0.42	42						
1"	366/ i89	BNE-A-17-00035-00001	5	5	Air	0.34	0.19	0.41	41						
1"	270/ clear	BNE-A-17-00007-00001	5	5	Air	0.39	0.25	0.45	41						
In-swing Dual-Pane Laminated - Narrow - Low Profile Sill															
1-1/4"	366/ clear	BNE-A-17-00065-00004	5	11	Argon	0.37	0.19	0.41	43						
1-1/4"	366/ i89	PENDING	5	11	Argon										
1-1/4"	270/ clear	BNE-A-17-00065-00002	5	11	Argon	0.37	0.24	0.44	43						
1-1/4"	366/ clear	BNE-A-17-00061-00004	5	11	Air	0.40	0.19	0.41	42						
1-1/4"	366/ i89	PENDING	5	11	Air										
1-1/4"	270/ clear	BNE-A-17-00061-00002	5	11	Air	0.40	0.24	0.44	42						

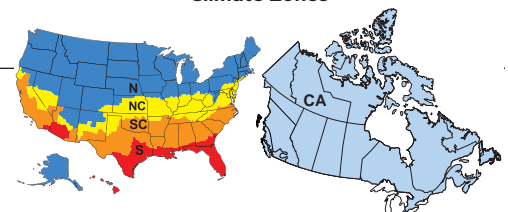
R-Value = 1/U-Factor
 SHGC = Solar Heat Gain Coefficient
 VLT % = Visible Light Transmission
 CR = Condensation Resistance
 ER = Canadian Energy Rating

(1) Glazing performance values are calculated based on NFRC 100, NFRC 200 and NFRC 500. ENERGY STAR® values are updated to 2023 (version 7) criteria.

(2) The values shown are based on Canada's updated ENERGY STAR® 2020 initiative.

Visit www.energystar.gov for Energy Star guidelines.

Climate Zones





Glazing Thickness	Type of Glazing	NFRC Certified Product #	Glass (mm)			Gap Fill	Performance Values ₁				Shaded Areas Meet ENERGY STAR® Performance Criteria in Zones Shown						
			Ext.	Mid.	Int.		U-Factor	SHGC	VLT %	CR	U. S.				Canada ₂		
											Zone				ER	Zone	
In-swing Triple-Pane - Narrow - Std Sill											N	NC	SC	S	CA		
1-5/8"	366/ clear/ 180	BNE-A-17-00885-00002	5	5	5	Argon	0.28	0.17	0.36	44			SC	S			
1-5/8"	366/ 180/ i89	BNE-A-17-00905-00002	5	5	5	Argon	0.29	0.17	0.35	43							
1-5/8"	270/ clear/ 180	BNE-A-17-00877-00002	5	5	5	Argon	0.28	0.22	0.39	44			SC	S			
1-5/8"	366/ clear/ 180	BNE-A-17-00883-00002	5	5	5	Air	0.31	0.17	0.36	44							
1-5/8"	366/ 180/ i89	BNE-A-17-00903-00002	5	5	5	Air	0.31	0.17	0.35	43							
1-5/8"	270/ clear/ 180	BNE-A-17-00875-00002	5	5	5	Air	0.31	0.22	0.39	44							
In-swing Triple-Pane - Narrow - Std Sill																	
1-5/8"	366/ clear/ 180	BNE-A-17-00105-00002	5	5	5	Argon	0.28	0.17	0.36	44			SC	S			
1-5/8"	366/ 180/ i89	BNE-A-17-00125-00002	5	5	5	Argon	0.29	0.17	0.35	43							
1-5/8"	270/ clear/ 180	BNE-A-17-00097-00002	5	5	5	Argon	0.28	0.22	0.39	44			SC	S			
1-5/8"	366/ clear/ 180	BNE-A-17-00103-00002	5	5	5	Air	0.30	0.17	0.36	44							
1-5/8"	366/ 180/ i89	BNE-A-17-00123-00002	5	5	5	Air	0.31	0.17	0.35	43							
1-5/8"	270/ clear/ 180	BNE-A-17-00095-00002	5	5	5	Air	0.31	0.22	0.39	44							

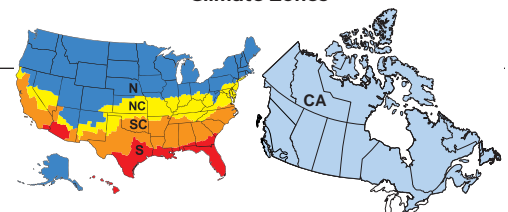
R-Value = 1/U-Factor
 SHGC = Solar Heat Gain Coefficient
 VLT % = Visible Light Transmission
 CR = Condensation Resistance
 ER = Canadian Energy Rating

(1) Glazing performance values are calculated based on NFRC 100, NFRC 200 and NFRC 500. ENERGY STAR® values are updated to 2023 (version 7) criteria.

(2) The values shown are based on Canada's updated ENERGY STAR® 2020 initiative.

Visit www.energystar.gov for Energy Star guidelines.

Climate Zones





Glazing Thickness	Type of Glazing	NFRC Certified Product #	Glass (mm)		Gap Fill	Performance Values ₁				Shaded Areas Meet ENERGY STAR® Performance Criteria in Zones Shown					
			Ext.	Int.		U-Factor	SHGC	VLT	CR	U. S.				Canada ₂	
										Zone				ER	Zone
In-swing Dual-Pane - Wide - Std Sill											N	NC	SC	S	CA
1"	366/ clear	BNE-A-17-01145-00002	5	5	Argon	0.32	0.15	0.30	45						
1"	366/ i89	BNE-A-17-01077-00001	5	5	Argon	0.36	0.16	0.33	43						
1"	270/ clear	BNE-A-17-01049-00001	5	5	Argon	0.39	0.21	0.37	43						
1"	366/ clear	BNE-A-17-01143-00002	5	5	Air	0.34	0.15	0.30	45						
1"	366/ i89	BNE-A-17-01075-00001	5	5	Air	0.38	0.16	0.33	43						
1"	270/ clear	BNE-A-17-01047-00001	5	5	Air	0.42	0.21	0.37	43						
In-swing Dual-Pane Laminated - Wide - Std Sill															
1-1/4"	366/ clear	BNE-A-17-01105-00004	5	11	Argon	0.40	0.16	0.33	44						
1-1/4"	366/ i89	PENDING	5	11	Argon										
1-1/4"	270/ clear	BNE-A-17-01105-00002	5	11	Argon	0.40	0.21	0.36	44						
1-1/4"	366/ clear	BNE-A-17-01101-00004	5	11	Air	0.42	0.16	0.33	44						
1-1/4"	366/ i89	PENDING	5	11	Air										
1-1/4"	270/ clear	BNE-A-17-01101-00002	5	11	Air	0.42	0.21	0.36	44						
In-swing Dual-Pane - Wide - Low Profile Sill															
1"	366/ clear	BNE-A-17-00277-00001	5	5	Argon	0.39	0.16	0.34	43						
1"	366/ i89	BNE-A-17-00297-00001	5	5	Argon	0.36	0.16	0.33	43						
1"	270/ clear	BNE-A-17-00269-00001	5	5	Argon	0.39	0.21	0.37	43						
1"	366/ clear	BNE-A-17-00275-00001	5	5	Air	0.41	0.16	0.34	43						
1"	366/ i89	BNE-A-17-00295-00001	5	5	Air	0.37	0.16	0.33	42						
1"	270/ clear	BNE-A-17-00267-00001	5	5	Air	0.42	0.21	0.37	43						
In-swing Dual-Pane Laminated - Wide - Low Profile Sill															
1-1/4"	366/ clear	BNE-A-17-00325-00004	5	11	Argon	0.39	0.16	0.33	44						
1-1/4"	366/ i89	PENDING	5	11	Argon										
1-1/4"	270/ clear	BNE-A-17-00325-00002	5	11	Argon	0.39	0.21	0.36	44						
1-1/4"	366/ clear	BNE-A-17-00321-00004	5	11	Air	0.42	0.16	0.33	44						
1-1/4"	366/ i89	PENDING	5	11	Air										
1-1/4"	270/ clear	BNE-A-17-00321-00002	5	11	Air	0.42	0.21	0.36	44						

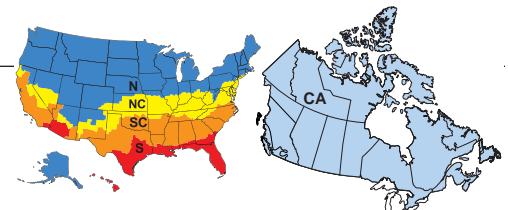
R-Value = 1/U-Factor
 SHGC = Solar Heat Gain Coefficient
 VLT % = Visible Light Transmission
 CR = Condensation Resistance
 ER = Canadian Energy Rating

(1) Glazing performance values are calculated based on NFRC 100, NFRC 200 and NFRC 500. ENERGY STAR® values are updated to 2023 (version 7) criteria.

(2) The values shown are based on Canada's updated ENERGY STAR® 2020 initiative.

Visit www.energystar.gov for Energy Star guidelines.

Climate Zones





Glazing Thickness	Type of Glazing	NFRC Certified Product #	Glass (mm)			Gap Fill	Performance Values ₁				Shaded Areas Meet ENERGY STAR® Performance Criteria in Zones Shown									
			Ext.	Mid.	Int.		U-Factor	SHGC	VLT %	CR	U. S.				Canada ₂					
											Zone				ER	Zone				
In-swing Triple-Pane - Wide - Std Sill											N	NC	SC	S	CA					
1-5/8"	366/ clear/ 180	BNE-A-17-01145-00002	5	5	5	Argon	0.32	0.15	0.30	45										
1-5/8"	366/ 180/ i89	BNE-A-17-01165-00002	5	5	5	Argon	0.33	0.14	0.29	44										
1-5/8"	270/ clear/ 180	BNE-A-17-01137-00002	5	5	5	Argon	0.32	0.19	0.32	45										
1-5/8"	366/ clear/ 180	BNE-A-17-01143-00002	5	5	5	Air	0.34	0.15	0.30	45										
1-5/8"	366/ 180/ i89	BNE-A-17-01163-00002	5	5	5	Air	0.35	0.15	0.29	44										
1-5/8"	270/ clear/ 180	BNE-A-17-01135-00002	5	5	5	Air	0.34	0.19	0.32	45										
In-swing Triple-Pane - Wide - Low Profile Sill																				
1-5/8"	366/ clear/ 180	BNE-A-17-00365-00002	5	5	5	Argon	0.32	0.15	0.30	45										
1-5/8"	366/ 180/ i89	BNE-A-17-00385-00002	5	5	5	Argon	0.33	0.14	0.29	44										
1-5/8"	270/ clear/ 180	BNE-A-17-00357-00002	5	5	5	Argon	0.32	0.19	0.32	45										
1-5/8"	366/ clear/ 180	BNE-A-17-00363-00002	5	5	5	Air	0.34	0.15	0.30	45										
1-5/8"	366/ 180/ i89	BNE-A-17-00383-00002	5	5	5	Air	0.34	0.15	0.29	44										
1-5/8"	270/ clear/ 180	BNE-A-17-00355-00002	5	5	5	Air	0.34	0.19	0.32	45										

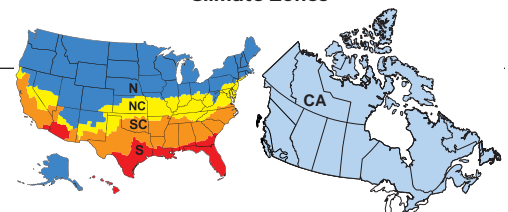
R-Value = 1/U-Factor
 SHGC = Solar Heat Gain Coefficient
 VLT % = Visible Light Transmission
 CR = Condensation Resistance
 ER = Canadian Energy Rating

(1) Glazing performance values are calculated based on NFRC 100, NFRC 200 and NFRC 500. ENERGY STAR® values are updated to 2023 (version 7) criteria.

(2) The values shown are based on Canada's updated ENERGY STAR® 2020 initiative.

Visit www.energystar.gov for Energy Star guidelines.

Climate Zones





Glazing Thickness	Type of Glazing	NFRC Certified Product #	Glass (mm)		Gap Fill	Performance Values ₁				Shaded Areas Meet ENERGY STAR® Performance Criteria in Zones Shown				
			Ext.	Int.		U-Factor	SHGC	VLT	CR	U. S.				Canada ₂
										Zone				ER
Out-swing Dual-Pane - Narrow - Std Sill										N	NC	SC	S	CA
1"	366/ clear	BNE-A-17-03917-00001	5	5	Argon	0.37	0.19	0.42	50					
1"	366/ i89	BNE-A-17-03937-00001	5	5	Argon	0.33	0.18	0.41	48					
1"	270/ clear	BNE-A-17-03909-00001	5	5	Argon	0.37	0.25	0.45	50					
1"	366/ clear	BNE-A-17-03915-00001	5	5	Air	0.40	0.19	0.42	50					
1"	366/ i89	BNE-A-17-03935-00001	5	5	Air	0.35	0.19	0.41	45					
1"	270/ clear	BNE-A-17-03907-00001	5	5	Air	0.40	0.25	0.45	50					
Out-swing Dual-Pane Laminated - Narrow - Std Sill														
1-1/4"	366/ clear	BNE-A-17-03965-00004	5	11	Argon	0.38	0.19	0.41	51					
1-1/4"	366/ i89	PENDING	5	11	Argon									
1-1/4"	270/ clear	BNE-A-17-03965-00002	5	11	Argon	0.38	0.24	0.44	51					
1-1/4"	366/ clear	BNE-A-17-03961-00004	5	11	Air	0.41	0.19	0.41	51					
1-1/4"	366/ i89	PENDING	5	11	Air									
1-1/4"	270/ clear	BNE-A-17-03961-00002	5	11	Air	0.41	0.24	0.44	51					
Out-swing Dual-Pane - Narrow - Low Profile Sill														
1"	366/ clear	BNE-A-17-03137-00001	5	5	Argon	0.37	0.19	0.42	50					
1"	366/ i89	BNE-A-17-03157-00001	5	5	Argon	0.34	0.18	0.41	48					
1"	270/ clear	BNE-A-17-03129-00001	5	5	Argon	0.38	0.25	0.45	50					
1"	366/ clear	BNE-A-17-03135-00001	5	5	Air	0.40	0.19	0.42	50					
1"	366/ i89	BNE-A-17-03155-00001	5	5	Air	0.36	0.19	0.41	45					
1"	270/ clear	BNE-A-17-03127-00001	5	5	Air	0.41	0.25	0.45	50					
Out-swing Dual-Pane Laminated - Narrow - Low Profile Sill														
1-1/4"	366/ clear	BNE-A-17-03185-00004	5	11	Argon	0.38	0.19	0.41	51					
1-1/4"	366/ i89	PENDING	5	11	Argon									
1-1/4"	270/ clear	BNE-A-17-03185-00002	5	11	Argon	0.38	0.24	0.44	51					
1-1/4"	366/ clear	BNE-A-17-03181-00004	5	11	Air	0.41	0.19	0.41	51					
1-1/4"	366/ i89	PENDING	5	11	Air									
1-1/4"	270/ clear	BNE-A-17-03181-00002	5	11	Air	0.41	0.24	0.44	51					

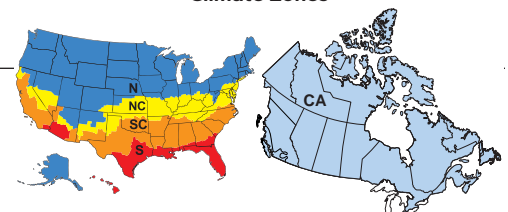
R-Value = 1/U-Factor
 SHGC = Solar Heat Gain Coefficient
 VLT % = Visible Light Transmission
 CR = Condensation Resistance
 ER = Canadian Energy Rating

(1) Glazing performance values are calculated based on NFRC 100, NFRC 200 and NFRC 500. ENERGY STAR® values are updated to 2023 (version 7) criteria.

(2) The values shown are based on Canada's updated ENERGY STAR® 2020 initiative.

Visit www.energystar.gov for Energy Star guidelines.

Climate Zones





Glazing Thickness	Type of Glazing	NFRC Certified Product #	Glass (mm)			Gap Fill	Performance Values ₁				Shaded Areas Meet ENERGY STAR® Performance Criteria in Zones Shown					
			Ext.	Mid.	Int.		U-Factor	SHGC	VLT %	CR	U. S.				Canada ₂	
											Zone				ER	Zone
											N	NC	SC	S	CA	
Out-swing Triple-Pane - Narrow - Std Sill																
1-5/8"	366/ clear/ 180	BNE-A-17-04005-00002	5	5	5	Argon	0.29	0.17	0.36	53						
1-5/8"	366/ 180/ i89	BNE-A-17-04025-00002	5	5	5	Argon	0.30	0.17	0.35	51						
1-5/8"	270/ clear/ 180	BNE-A-17-03997-00002	5	5	5	Argon	0.30	0.22	0.39	52						
1-5/8"	366/ clear/ 180	BNE-A-17-04003-00002	5	5	5	Air	0.32	0.17	0.36	52						
1-5/8"	366/ 180/ i89	BNE-A-17-04023-00002	5	5	5	Air	0.32	0.17	0.35	49						
1-5/8"	270/ clear/ 180	BNE-A-17-03995-00002	5	5	5	Air	0.32	0.22	0.39	52						
Out-swing Triple-Pane - Narrow - Low Profile Sill																
1-5/8"	366/ clear/ 180	BNE-A-17-03225-00002	5	5	5	Argon	0.29	0.17	0.36	52						
1-5/8"	366/ 180/ i89	BNE-A-17-03245-00002	5	5	5	Argon	0.30	0.17	0.35	51						
1-5/8"	270/ clear/ 180	BNE-A-17-03217-00002	5	5	5	Argon	0.30	0.22	0.39	52						
1-5/8"	366/ clear/ 180	BNE-A-17-03223-00002	5	5	5	Air	0.32	0.17	0.36	52						
1-5/8"	366/ 180/ i89	BNE-A-17-03243-00002	5	5	5	Air	0.32	0.17	0.35	49						
1-5/8"	270/ clear/ 180	BNE-A-17-03215-00002	5	5	5	Air	0.32	0.22	0.39	52						

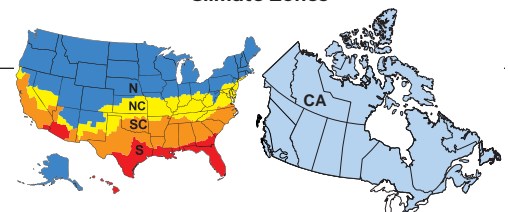
R-Value = 1/U-Factor
 SHGC = Solar Heat Gain Coefficient
 VLT % = Visible Light Transmission
 CR = Condensation Resistance
 ER = Canadian Energy Rating

(1) Glazing performance values are calculated based on NFRC 100, NFRC 200 and NFRC 500. ENERGY STAR® values are updated to 2023 (version 7) criteria.

(2) The values shown are based on Canada's updated ENERGY STAR® 2020 initiative.

Visit www.energystar.gov for Energy Star guidelines.

Climate Zones





Glazing Thickness	Type of Glazing	NFRC Certified Product #	Glass (mm)		Gap Fill	Performance Values ₁				Shaded Areas Meet ENERGY STAR® Performance Criteria in Zones Shown				
			Ext.	Int.		U-Factor	SHGC	VLT	CR	U. S.				Canada ₂
										Zone				ER
Out-swing Dual-Pane - Wide - Std Sill										N	NC	SC	S	CA
1"	366/ clear	BNE-A-17-04177-00001	5	5	Argon	0.40	0.16	0.34	50					
1"	366/ i89	BNE-A-17-04197-00001	5	5	Argon	0.37	0.16	0.33	49					
1"	270/ clear	BNE-A-17-04169-00001	5	5	Argon	0.40	0.21	0.37	50					
1"	366/ clear	BNE-A-17-04175-00001	5	5	Air	0.42	0.16	0.34	49					
1"	366/ i89	BNE-A-17-04195-00001	5	5	Air	0.38	0.16	0.33	46					
1"	270/ clear	BNE-A-17-04167-00001	5	5	Air	0.42	0.21	0.37	49					
Out-swing Dual-Pane Laminated - Wide - Std Sill														
1-1/4"	366/ clear	BNE-A-17-04225-00004	5	11	Argon	0.40	0.16	0.33	50					
1-1/4"	366/ i89	PENDING	5	11	Argon									
1-1/4"	270/ clear	BNE-A-17-04225-00002	5	11	Argon	0.40	0.21	0.36	50					
1-1/4"	366/ clear	BNE-A-17-04221-00004	5	11	Air	0.43	0.16	0.33	50					
1-1/4"	366/ i89	PENDING	5	11	Air									
1-1/4"	270/ clear	BNE-A-17-04221-00002	5	11	Air	0.43	0.21	0.36	50					
Out-swing Dual-Pane - Wide - Low Profile Sill														
1"	366/ clear	BNE-A-17-03397-00001	5	5	Argon	0.40	0.16	0.34	49					
1"	366/ i89	BNE-A-17-03417-00001	5	5	Argon	0.37	0.16	0.33	49					
1"	270/ clear	BNE-A-17-03389-00001	5	5	Argon	0.40	0.21	0.37	49					
1"	366/ clear	BNE-A-17-03395-00001	5	5	Air	0.42	0.16	0.34	49					
1"	366/ i89	BNE-A-17-03415-00001	5	5	Air	0.39	0.16	0.33	46					
1"	270/ clear	BNE-A-17-03387-00001	5	5	Air	0.43	0.21	0.37	49					
Out-swing Dual-Pane Laminated - Wide - Low Profile Sill														
1-1/4"	366/ clear	BNE-A-17-03445-00004	5	11	Argon	0.41	0.16	0.33	50					
1-1/4"	366/ i89	PENDING	5	11	Argon									
1-1/4"	270/ clear	BNE-A-17-03445-00002	5	11	Argon	0.41	0.21	0.36	50					
1-1/4"	366/ clear	BNE-A-17-03441-00004	5	11	Air	0.43	0.16	0.33	50					
1-1/4"	366/ i89	PENDING	5	11	Air									
1-1/4"	270/ clear	BNE-A-17-03441-00002	5	11	Air	0.43	0.21	0.36	50					

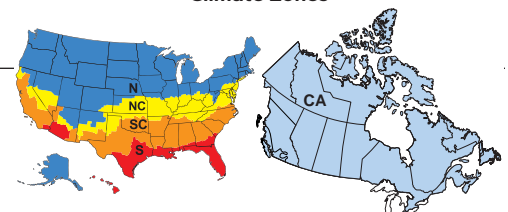
R-Value = 1/U-Factor
 SHGC = Solar Heat Gain Coefficient
 VLT % = Visible Light Transmission
 CR = Condensation Resistance
 ER = Canadian Energy Rating

(1) Glazing performance values are calculated based on NFRC 100, NFRC 200 and NFRC 500. ENERGY STAR® values are updated to 2023 (version 7) criteria.

(2) The values shown are based on Canada's updated ENERGY STAR® 2020 initiative.

Visit www.energystar.gov for Energy Star guidelines.

Climate Zones





Glazing Thickness	Type of Glazing	NFRC Certified Product #	Glass (mm)			Gap Fill	Performance Values ₁				Shaded Areas Meet ENERGY STAR® Performance Criteria in Zones Shown									
			Ext.	Mid.	Int.		U-Factor	SHGC	VLT %	CR	U. S.				Canada ₂					
											Zone				ER	Zone				
Out-swing Triple-Pane - Wide - Std Sill											N	NC	SC	S	CA					
1-5/8"	366/ clear/ 180	BNE-A-17-04265-00002	5	5	5	Argon	0.33	0.15	0.30	51										
1-5/8"	366/ 180/ i89	BNE-A-17-04285-00002	5	5	5	Argon	0.34	0.14	0.29	50										
1-5/8"	270/ clear/ 180	BNE-A-17-04257-00002	5	5	5	Argon	0.33	0.19	0.32	51										
1-5/8"	366/ clear/ 180	BNE-A-17-04263-00002	5	5	5	Air	0.35	0.15	0.30	51										
1-5/8"	366/ 180/ i89	BNE-A-17-04283-00002	5	5	5	Air	0.36	0.15	0.29	49										
1-5/8"	270/ clear/ 180	BNE-A-17-04255-00002	5	5	5	Air	0.35	0.19	0.32	51										
Out-swing Triple-Pane - Wide - Low Profile Sill																				
1-5/8"	366/ clear/ 180	BNE-A-17-03485-00002	5	5	5	Argon	0.33	0.15	0.30	51										
1-5/8"	366/ 180/ i89	BNE-A-17-03505-00002	5	5	5	Argon	0.34	0.14	0.29	50										
1-5/8"	270/ clear/ 180	BNE-A-17-03477-00002	5	5	5	Argon	0.33	0.19	0.32	51										
1-5/8"	366/ clear/ 180	BNE-A-17-03483-00002	5	5	5	Air	0.35	0.15	0.30	51										
1-5/8"	366/ 180/ i89	BNE-A-17-03503-00002	5	5	5	Air	0.36	0.15	0.29	49										
1-5/8"	270/ clear/ 180	BNE-A-17-03475-00002	5	5	5	Air	0.35	0.19	0.32	51										

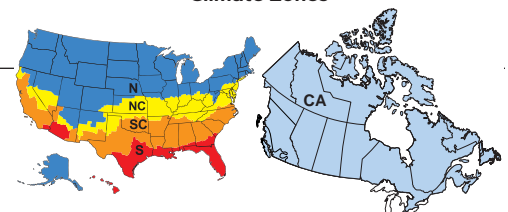
R-Value = 1/U-Factor
 SHGC = Solar Heat Gain Coefficient
 VLT % = Visible Light Transmission
 CR = Condensation Resistance
 ER = Canadian Energy Rating

(1) Glazing performance values are calculated based on NFRC 100, NFRC 200 and NFRC 500. ENERGY STAR® values are updated to 2023 (version 7) criteria.

(2) The values shown are based on Canada's updated ENERGY STAR® 2020 initiative.

Visit www.energystar.gov for Energy Star guidelines.

Climate Zones





Hinged Doors Design Data													
Unit	Actual Frame Size	Clear Opening (Inches) ₁				Vent Area		Visible Glass Ft ² (Standard Sill)		Standard Glass Thickness (mm) Tempered		Performance Class & Grade ₂	
		Width (Inches) (172°)	Width (Inches) (90°)	Standard Sill Height	Low Profile Sill Height	Standard Sill	Low Profile Sill	Narrow Stile	Wide Stile	Dual-Pane Glazing	Triple-Pane Glazing		
IN-SWING DOORS													
3696	L/R	35.5 x 95.5	31.9	30.0	92.5	93.2	19.3	19.4	15.7	12.8	5	5	-
4896	L/R	47.5 x 95.5	43.9	42.0	92.5	93.2	27.0	27.2	22.8	19.7	5	5	-
6096	L/R	59.5 x 95.5	55.9	54.0	92.5	93.2	34.7	35.0	30.0	26.6	5	5	-
36108	L/R	35.5 x 107.5	31.9	30.0	104.5	105.2	21.8	21.9	17.8	14.7	5	5	-
48108	L/R	47.5 x 107.5	43.9	42.0	104.5	105.2	30.5	30.7	26.0	22.6	5	5	-
60108	L/R	59.5 x 107.5	55.9	54.0	104.5	105.2	39.2	39.5	34.2	30.4	5	5	-
36120	L/R	35.5 x 119.5	31.9	30.0	116.5	117.2	24.3	24.4	20.0	16.6	5	5	-
48120	L/R	47.5 x 119.5	43.9	42.0	116.5	117.2	34.0	34.2	29.2	25.4	5	5	-
60120	L/R	59.5 x 119.5	55.9	54.0	116.5	117.2	43.7	44.0	38.4	34.3	5	5	-
7296	AP/PA	71.5 x 95.5	67.9	66.0	92.5	93.2	42.4	42.7	32.4	26.7	5	5	-
9696	AP/PA	95.5 x 95.5	91.9	90.0	92.5	93.2	57.8	58.3	46.7	40.4	5	5	-
72108	AP/PA	71.5 x 107.5	67.9	66.0	104.5	105.2	47.9	48.2	36.9	30.6	5	5	-
96108	AP/PA	95.5 x 107.5	91.9	90.0	104.5	105.2	65.3	65.8	53.3	46.3	5	5	-
72120	AP/PA	71.5 x 119.5	67.9	66.0	116.5	117.2	53.4	53.7	41.4	34.5	5	5	-
96120	AP/PA	95.5 x 119.5	91.9	90.0	116.5	117.2	72.8	73.3	59.8	52.2	5	5	-
OUT-SWING DOORS													
3696	L/R	35.5 x 95.5	31.9	30.0	92.2	93.2	19.2	19.4	15.4	12.9	5	5	-
4896	L/R	47.5 x 95.5	43.9	42.0	92.2	93.2	26.9	27.2	22.5	19.8	5	5	-
6096	L/R	59.5 x 95.5	55.9	54.0	92.2	93.2	34.6	35.0	29.6	26.7	5	5	-
36108	L/R	35.5 x 107.5	31.9	30.0	104.2	105.2	21.7	21.9	17.6	14.8	5	5	-
48108	L/R	47.5 x 107.5	43.9	42.0	104.2	105.2	30.4	30.7	25.7	22.7	5	5	-
60108	L/R	59.5 x 107.5	55.9	54.0	104.2	105.2	39.1	39.5	33.7	30.6	5	5	-
36120	L/R	35.5 x 119.5	31.9	30.0	116.2	117.2	24.2	24.4	19.8	16.6	5	5	-
48120	L/R	47.5 x 119.5	43.9	42.0	116.2	117.2	33.9	34.2	28.9	25.5	5	5	-
60120	L/R	59.5 x 119.5	55.9	54.0	116.2	117.2	43.6	44.0	37.9	34.4	5	5	-
3696	AP/PA	71.5 x 95.5	67.9	66.0	92.2	93.2	42.3	42.7	31.9	26.8	5	5	-
4896	AP/PA	95.5 x 95.5	91.9	90.0	92.2	93.2	57.6	58.3	46.1	40.6	5	5	-
6096	AP/PA	71.5 x 107.5	67.9	66.0	104.2	105.2	47.8	48.2	36.4	30.7	5	5	-
36108	AP/PA	95.5 x 107.5	91.9	90.0	104.2	105.2	65.1	65.8	52.6	46.5	5	5	-
48108	AP/PA	71.5 x 119.5	67.9	66.0	116.2	117.2	53.3	53.7	41.0	34.6	5	5	-
60108	AP/PA	95.5 x 119.5	91.9	90.0	116.2	117.2	72.6	73.3	59.1	52.4	6	6	-

(-) = Not Applicable

(1) All dimensions are approximate to the nearest 1/16".

(2) Maximum performance when glazed with the appropriate glass thickness. All doors and sidelights are Tempered glass.

To convert areas to square meters (m²), multiply square feet by 0.0929.

Special Sizes

	Frame Width		Frame Height	
	Minimum	Maximum	Minimum	Maximum
Single Door	28"	60"	56"	143.5"
Double Door	56"	96"	56"	143.5"

Special Sizes available in 1/4" Increments

Dimension	Single Doors	Double Doors
Rough Opening Width	FW + .5	
Rough Opening Height	FH + .5	
Clear Opening Width (Approximate)	In-swing 90 deg = FW - 5.4839 In-swing 172 deg = FW - 3.581 Out-swing 90 deg = FW - 5.4827 Out-swing 172 deg = FW - 3.581	In-swing 90 deg = FW - 8.061 In-swing 172 deg = FW - 3.581 Out-swing 90 deg = FW - 8.058 Out-swing 172 deg = FW - 3.581
Clear Opening Height	In-swing standard sill = FH - 3.037 In-swing low profile sill = FH - 2.291 Out-swing standard sill = FH - 3.315 Out-swing low profile sill = FH - 2.291	
Visible Glass Width	Narrow stiles = FW - 9.306 Wide Stiles = FW - 13.044	Narrow Stiles = FW - 17.287 Wide Stiles = FW - 24.763
Visible Glass Height	Narrow In-swing standard sill = FH - 9.449 Narrow In-swing low profile sill = FH - 8.702 Wide In-swing standard sill = FH - 13.187 Wide In-swing low profile sill = FH - 12.441 Narrow Out-swing standard sill = FH - 9.096 Narrow Out-swing low profile sill = FH - 8.702 Wide Out-swing standard sill = FH - 12.834 Wide Out-swing low profile sill = FH - 12.441	

Hardware Handle	Dimension from bottom of panel to center of lock thumbturn
48" Ladder Pull Bar	36"
71" Ladder Pull Bar	36"
Dallas Lever	36"

(-) = Not Applicable

All doors and sidelights are Tempered glass.

To convert areas to square meters (m²), multiply square feet by 0.0929.



Frame

- Extruded aluminum head and jambs with thermal breaks [Block frame] [nail-fin frame].
- Extruded aluminum with thermal breaks [Standard Sill] [Low-profile sill].
- Frame Finish is [Satin Anodized] [Black Anodized].
- Frame Depth 4-1/2"
- Corners are secured with metal fasteners.

Door Panels

- Extruded aluminum [Narrow Stiles/Rails] [Wide Stiles/Rails] with thermal breaks.
- Corners are secured with metal fasteners.

Weatherstripping

- Dual-durometer extruded polymer along head and jambs of door frame.
- Extruded pile with quiet fin at top and sides of door panel.
- In-swing doors: Dual-durometer extruded polymer along bottom of door stile.
- Out-swing doors: Dual-durometer extruded polymer along standard sill.
- In-swing and out-swing doors with low-profile sill: 2 rows of extruded pile with quiet fin.

Glazing System¹

- Quality fully-tempered float glass complying with ASTM C 1048.
- High altitude glazing available.
- Silicone-glazed, 1" double-pane, dual-seal, insulating glass
- [[366/Clear] [366/i89] [270/Clear] Low-E [with argon]]
-or-
- Silicone-glazed, 1-1/4" double-pane, dual-seal, laminated, insulating glass.
- [[366/Clear] [270/Clear] Low-E [with argon]]
-or-
- Silicone-glazed, 1-5/8" triple-pane, dual-seal, insulating glass
- [[366/Clear/180] [366/180/i89] [270/Clear/180] Low-E [with argon]].

Hardware

- Handles
 - Contemporary lever with Euro-cylinder in [satin nickel][black]
 - Ladder pull [48"] [71"] in [satin nickel][black].
 - Thumb turn and key cylinder for single point deadbolt to match ladder pull.
- Locks
 - Multi-point locking system with deadbolt and additional locking points at jamb, sill, and head that will engage simultaneously. Lever located at 36" from bottom of panel.
 - Single point deadbolt with roller catches. Thumb turn located at 36" from bottom of panel.
- Hinges
 - Adjustable hinges to assist in installation.
 - Doors up to 9'0" have three (3) 2-leaf hinges.
 - Doors between 9'0" and 10'0" have four (4) 2-leaf hinges.
 - Doors between 10'0" and 12'0" have four (4) 3-leaf hinges.
 - Hinge finish to match handle hardware color.

Optional Products

Grilles

- Simulated Divided Light
 - Interior and exterior grilles are [7/8"] [1-1/2"] flat profile that are extruded aluminum. Finishes are [satin anodized] [black anodized].
 - Patterns are [Traditional] [Contemporary] [Top Row] [Cross].
 - Insulating glass contains non-glare spacer between the panes of glass.
 - Grilles are adhered to both sides of the insulating glass with VHB acrylic adhesive tape and aligned with the non-glare spacer.
- Grilles-Between-The-Glass
 - Insulating glass contains 1/2" square aluminum grilles permanently installed between two panes of glass (exterior air-space on triple pane insulating glass).
 - Patterns are [Traditional] [Contemporary] [Top Row] [Cross].
 - Interior color is black.
 - Exterior color is black.

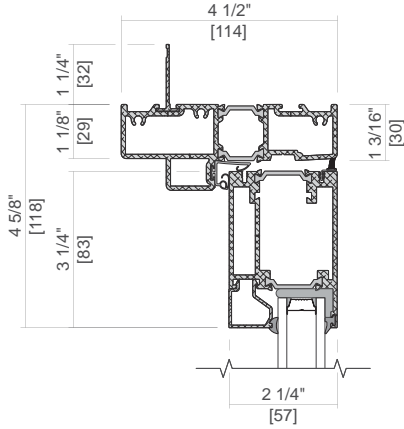
(1) Insulating glass with argon is Low-E coated. All other insulating glass is air-filled.

(2) Contact your local sales representative for current color options.

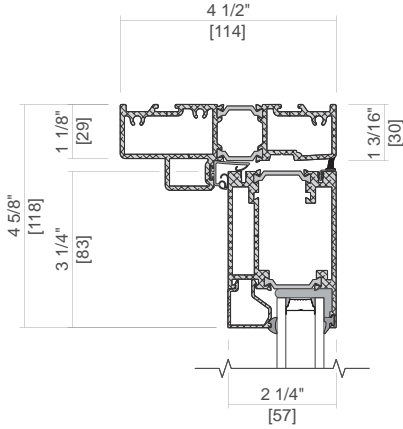


NARROW STILE

Standard Nailing Fin

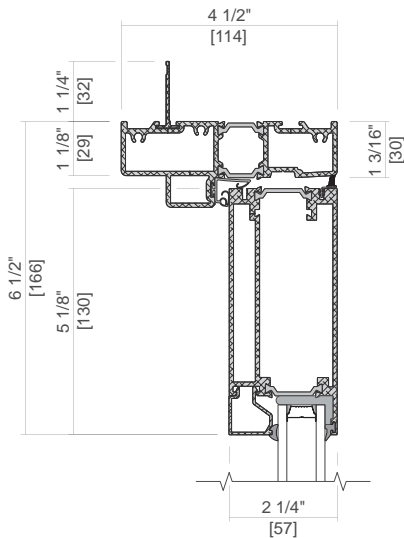


Standard Block Frame

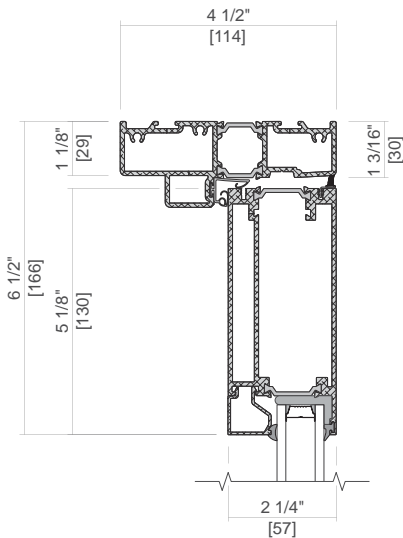


WIDE STILE

Standard Nailing Fin

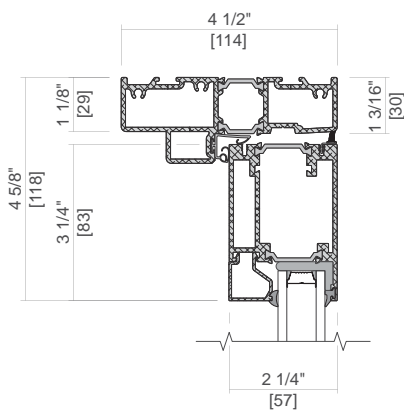


Standard Block Frame

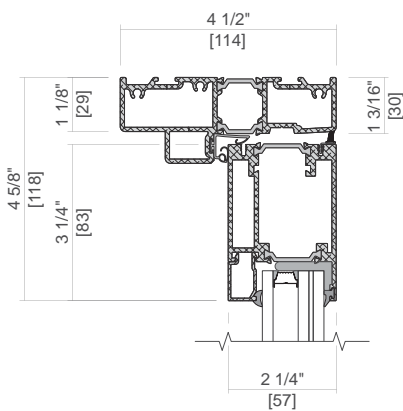


GLAZING OPTIONS

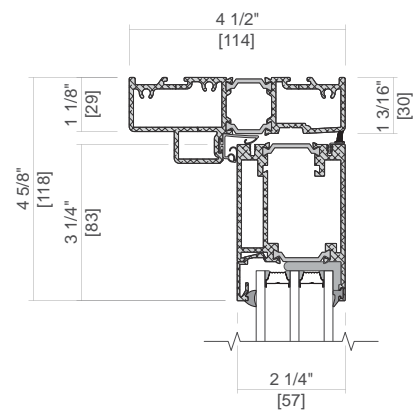
1" Dual IG



1-1/4" Impact IG



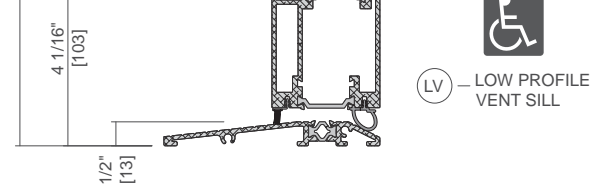
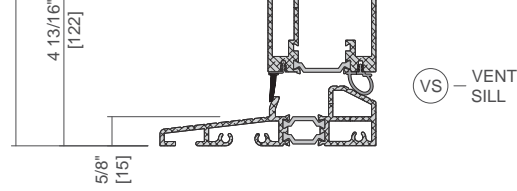
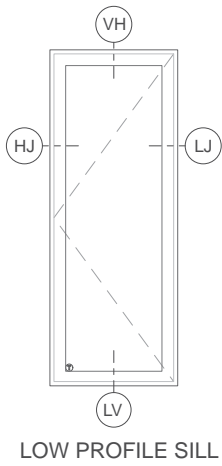
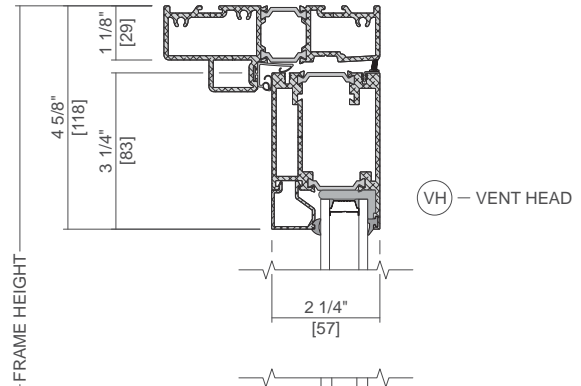
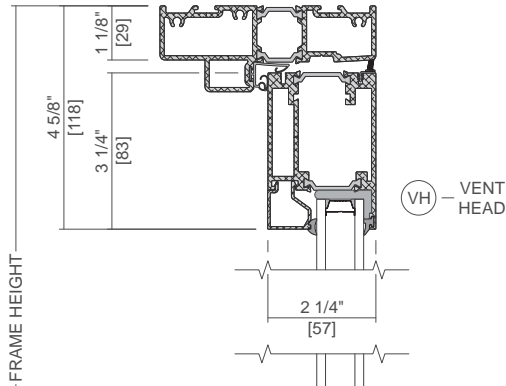
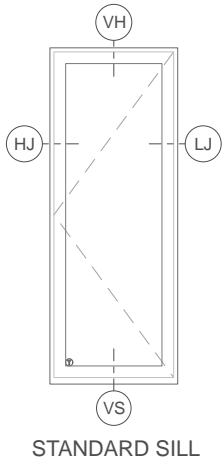
1-5/8" Triple IG



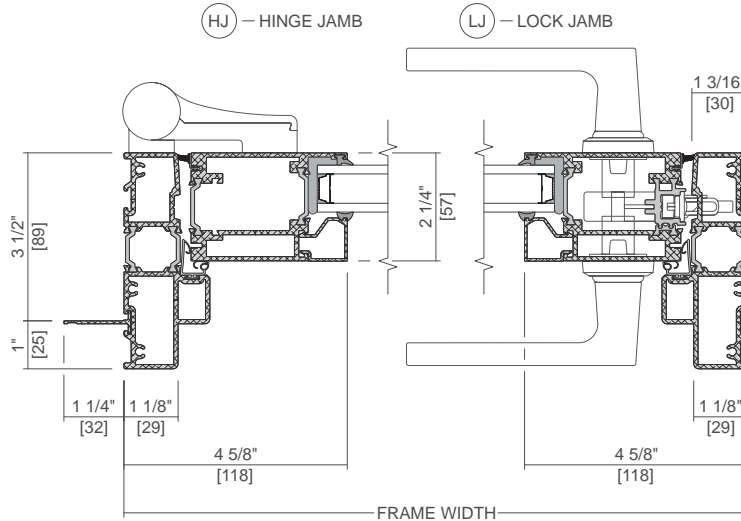
Scale 3" = 1' 0"

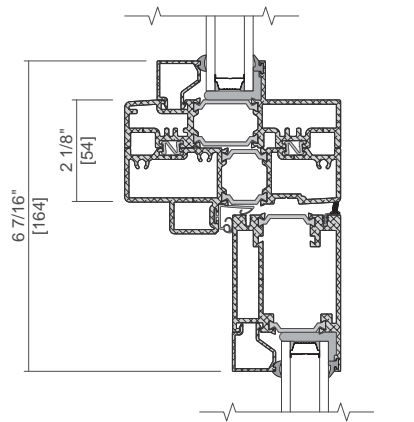
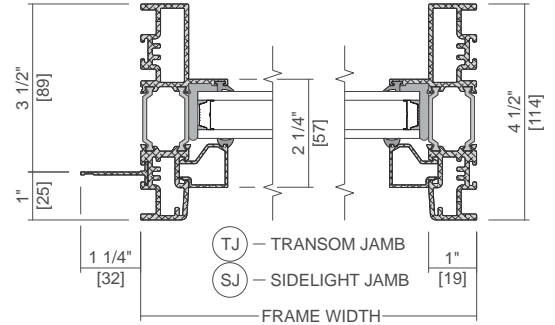
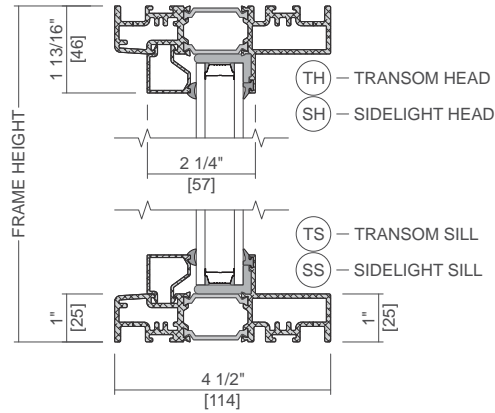
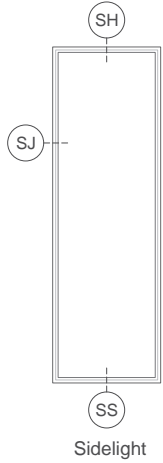
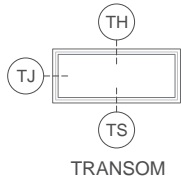
All dimensions are approximate.

Rev. 08/06/2024

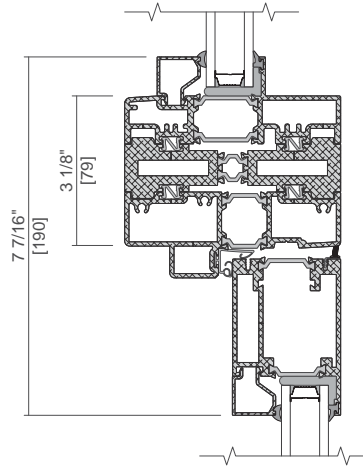


LV - LOW PROFILE VENT SILL

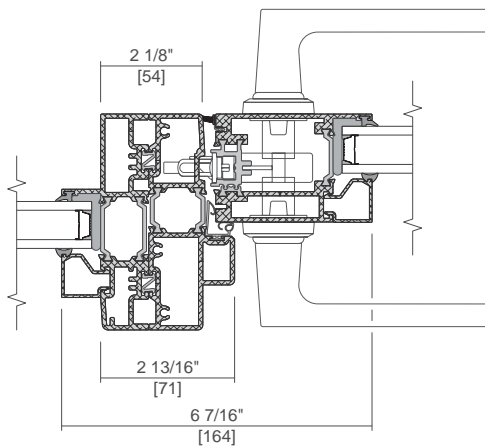




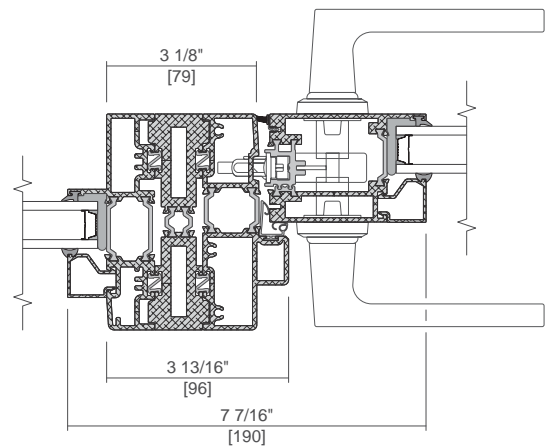
HORIZONTAL TIGHT MULLION
DIRECT SET / IN-SWING
NARROW STILE DOOR



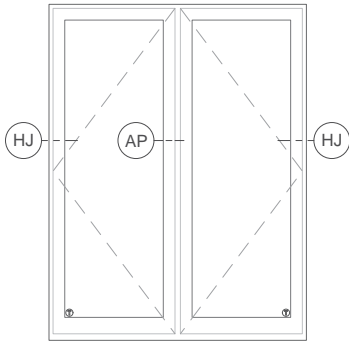
HORIZONTAL 1" MULLION
DIRECT SET / IN-SWING
NARROW STILE DOOR



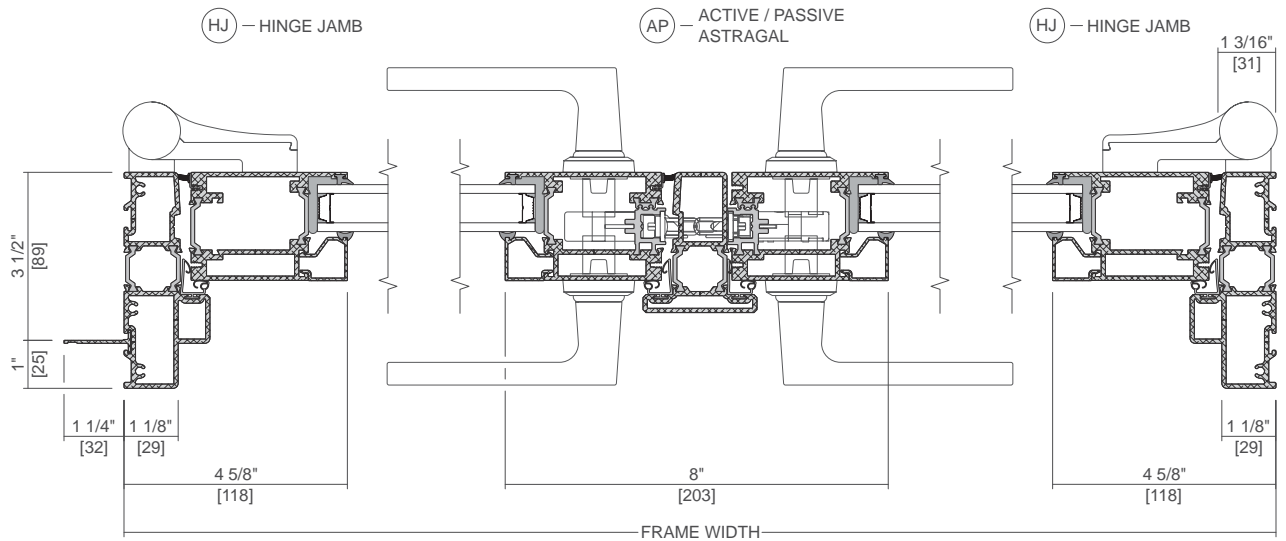
VERTICAL TIGHT MULLION
DIRECT SET / IN-SWING
NARROW STILE DOOR

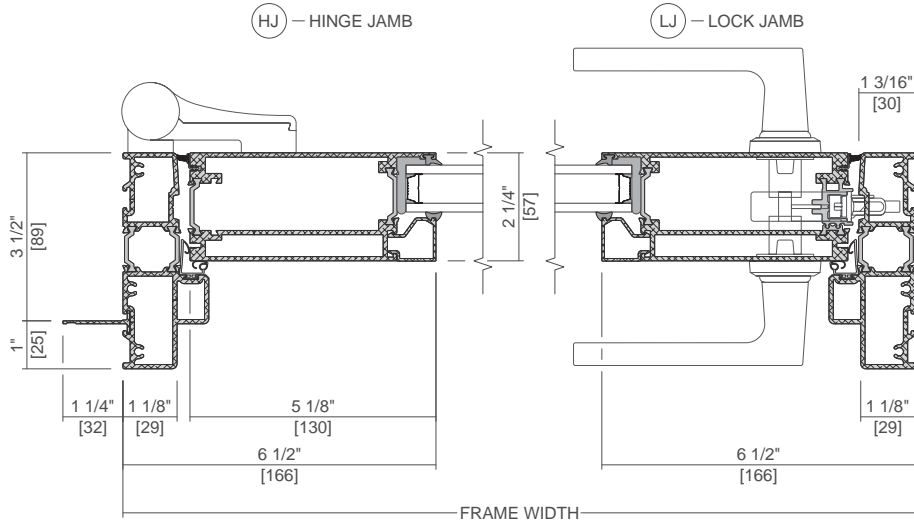
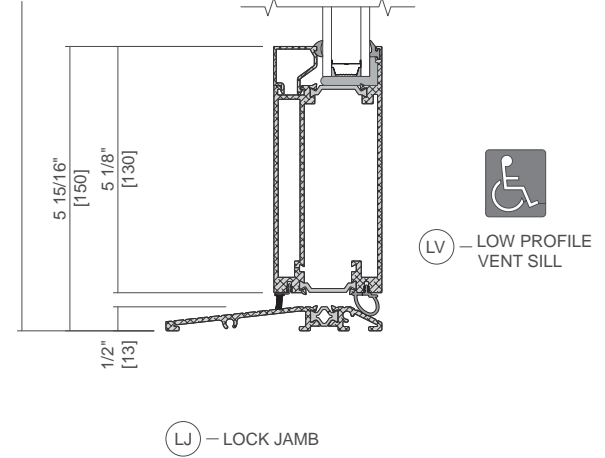
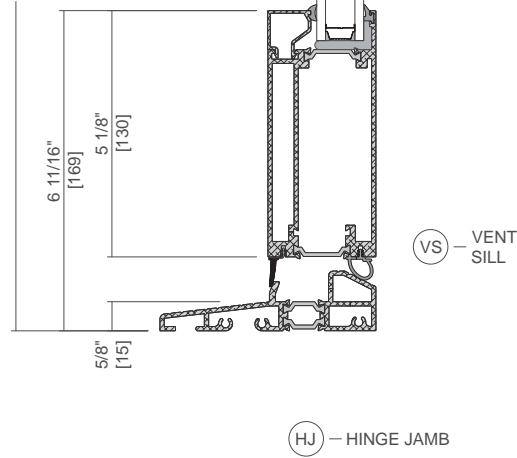
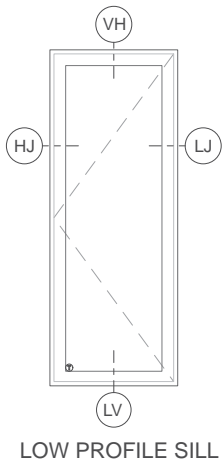
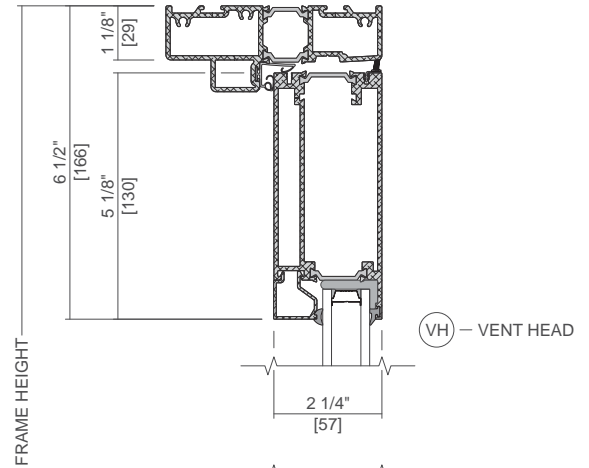
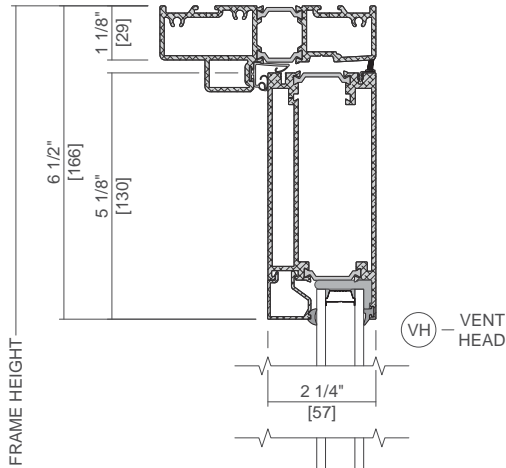
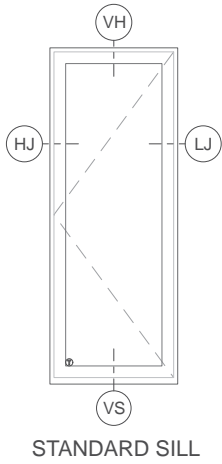


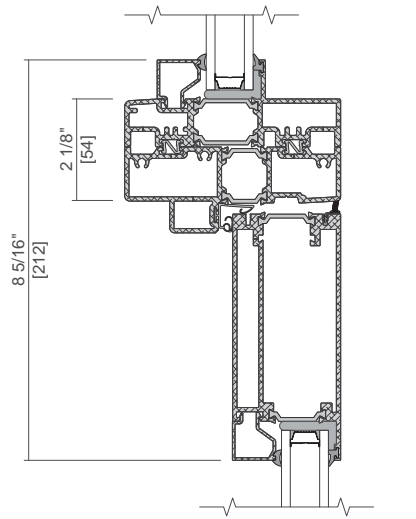
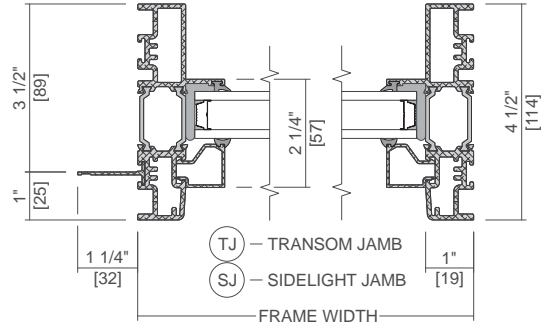
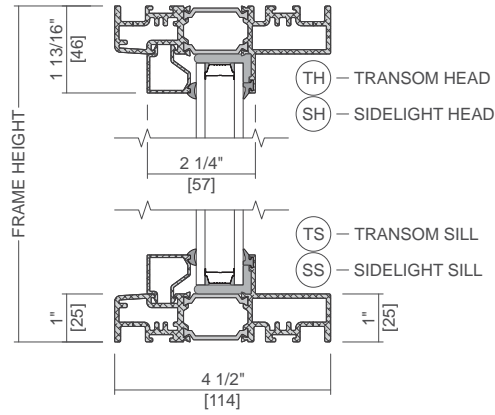
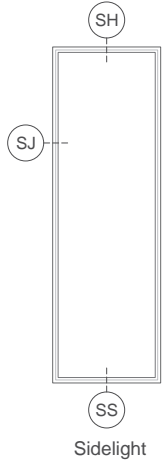
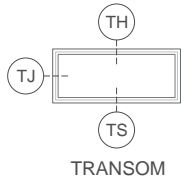
VERTICAL 1" MULLION
DIRECT SET / IN-SWING
NARROW STILE DOOR



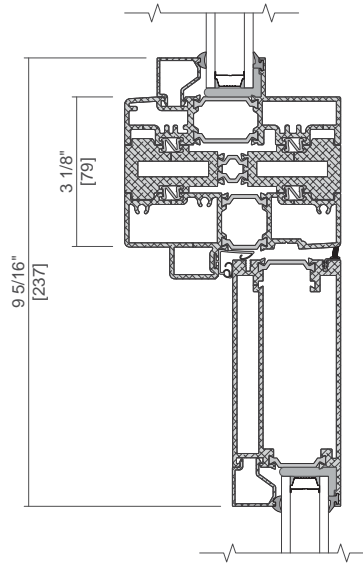
STANDARD SILL



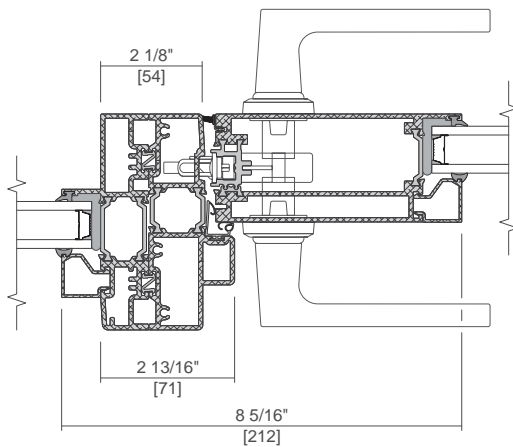




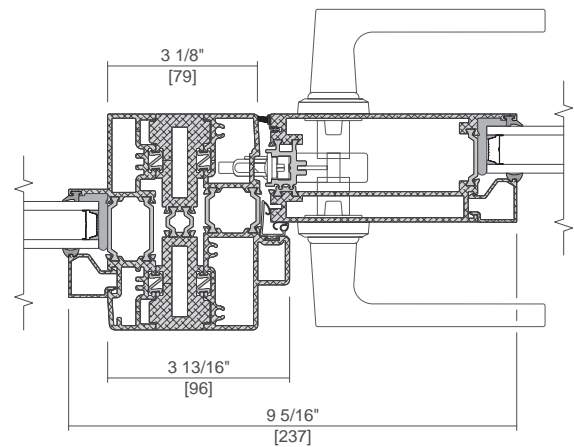
HORIZONTAL TIGHT MULLION
DIRECT SET / IN-SWING
WIDE STILE DOOR



HORIZONTAL 1" MULLION
DIRECT SET / IN-SWING
WIDE STILE DOOR



VERTICAL TIGHT MULLION
DIRECT SET / IN-SWING
WIDE STILE DOOR

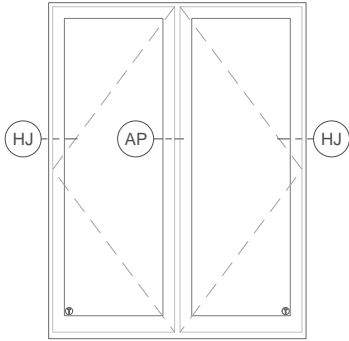


VERTICAL 1" MULLION
DIRECT SET / IN-SWING
WIDE STILE DOOR

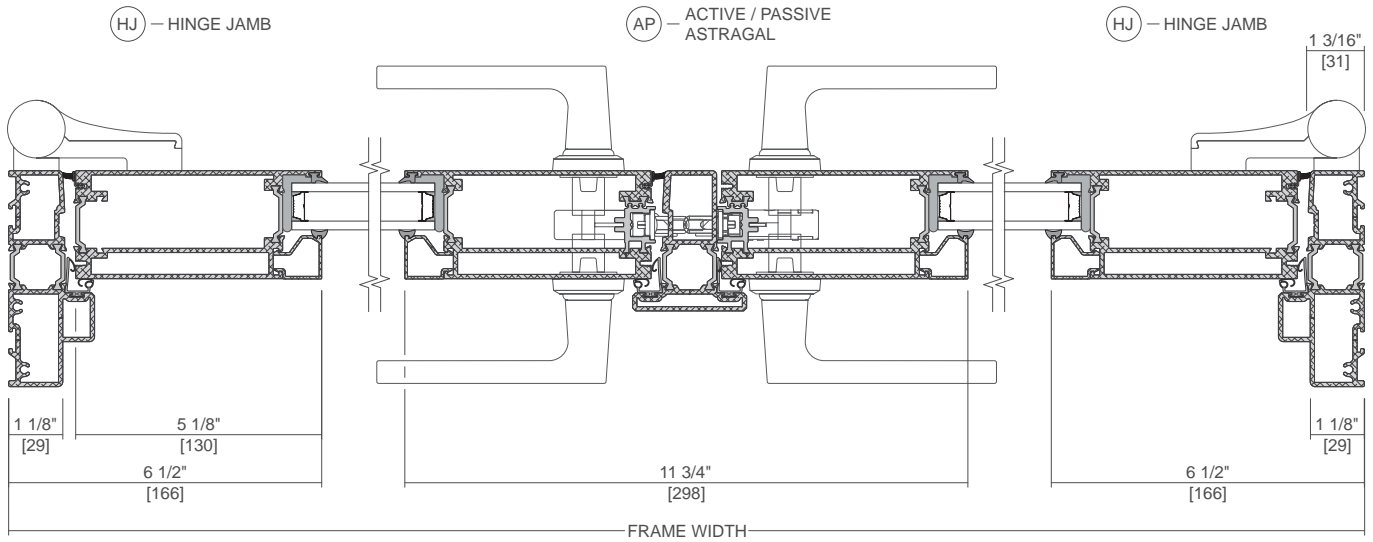
Scale 3" = 1' 0"

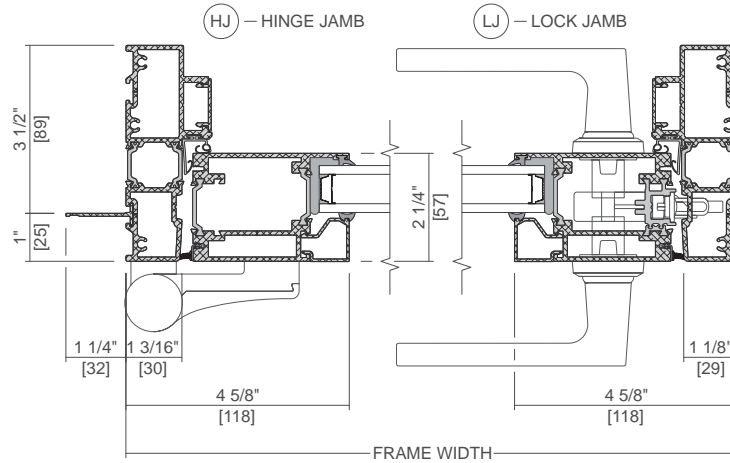
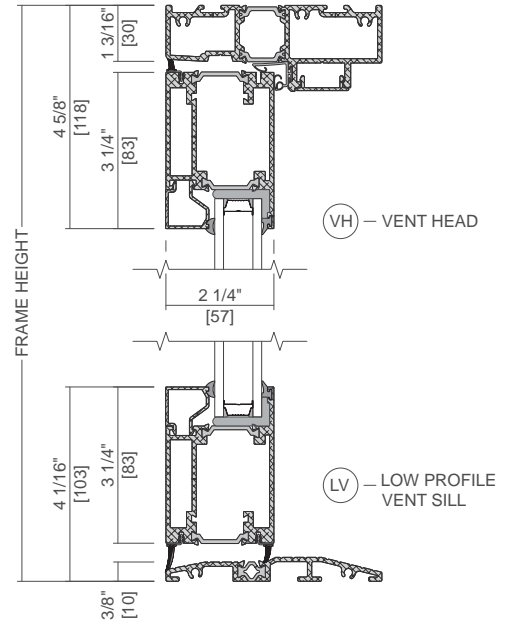
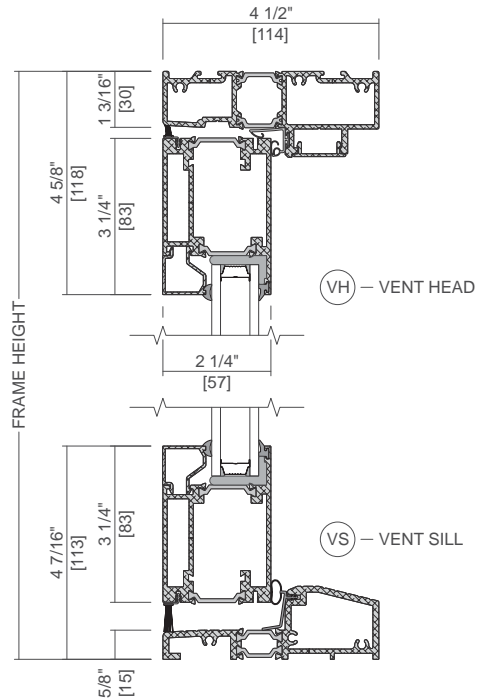
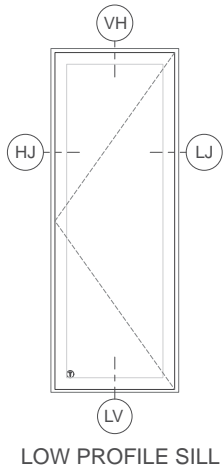
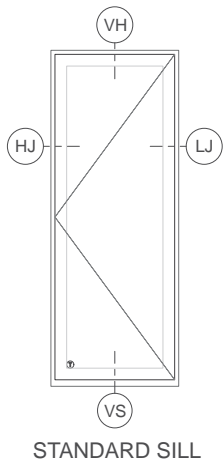
All dimensions are approximate.

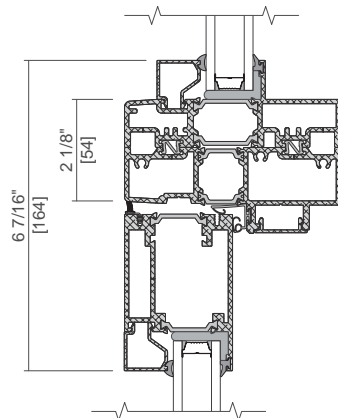
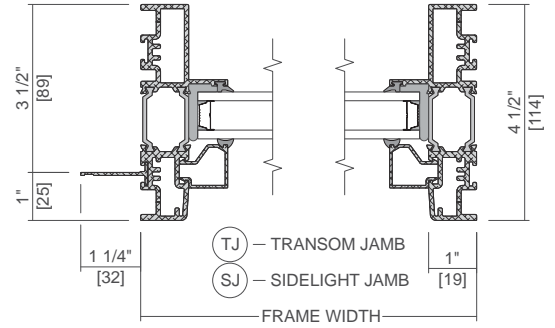
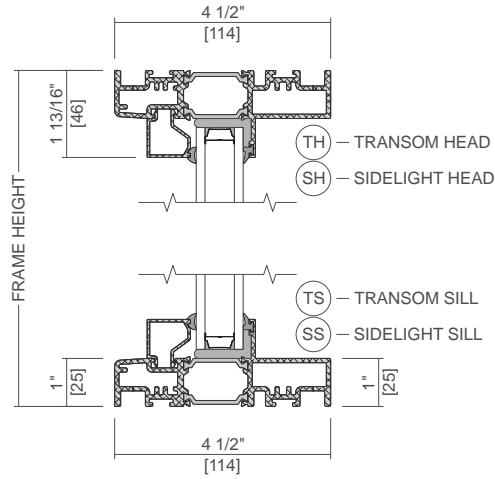
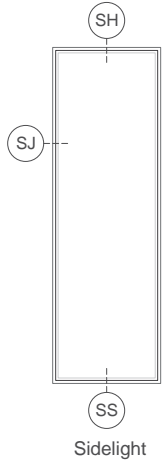
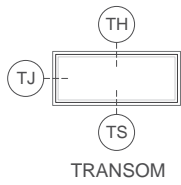
Rev. 08/06/2024



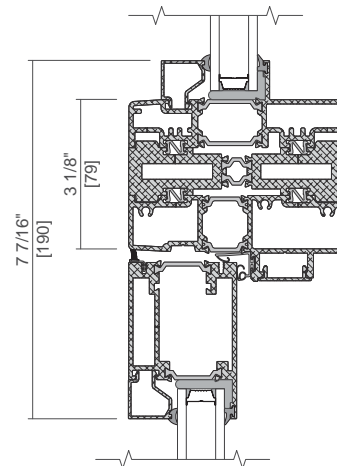
STANDARD SILL



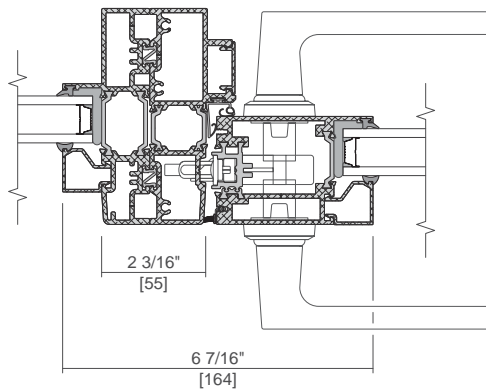




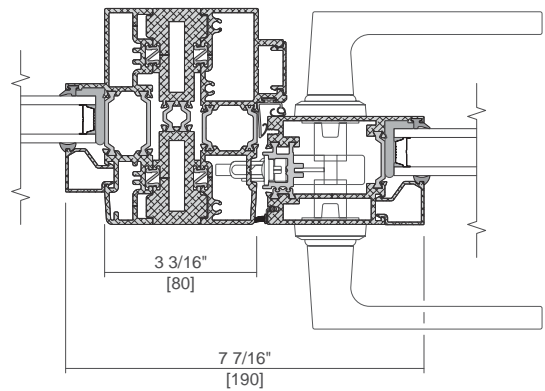
HORIZONTAL TIGHT MULLION WINDOW WALL / OUT-SWING NARROW STILE DOOR



HORIZONTAL 1" MULLION WINDOW WALL / OUT-SWING NARROW STILE DOOR



VERTICAL TIGHT MULLION WINDOW WALL / OUT-SWING NARROW STILE DOOR

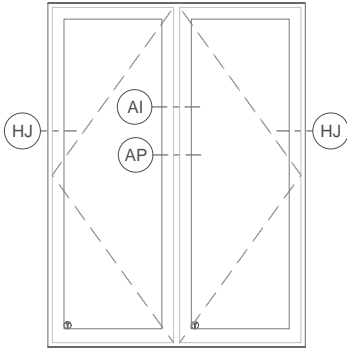


VERTICAL 1" MULLION WINDOW WALL / OUT-SWING NARROW STILE DOOR

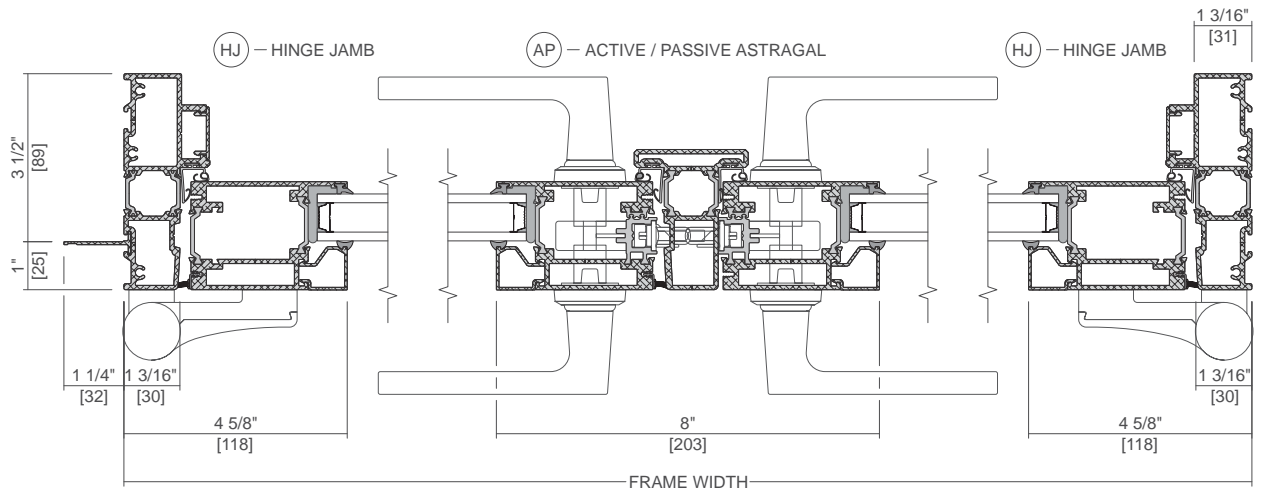
Scale 3" = 1' 0"

All dimensions are approximate.

Rev. 08/06/2024



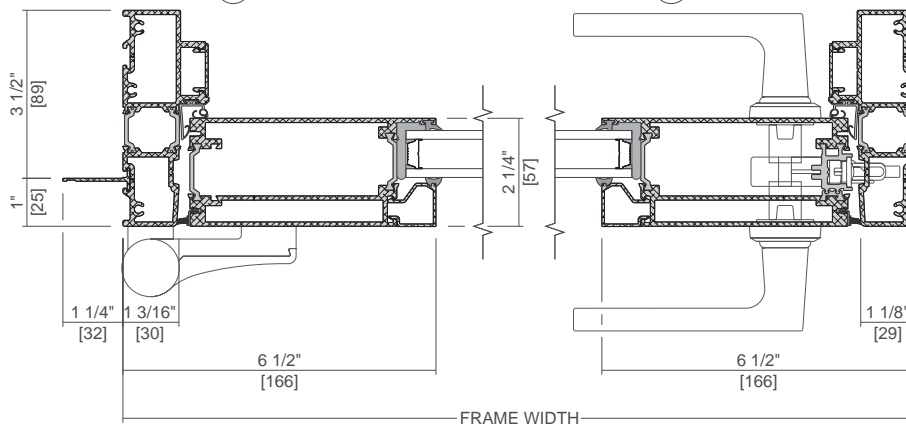
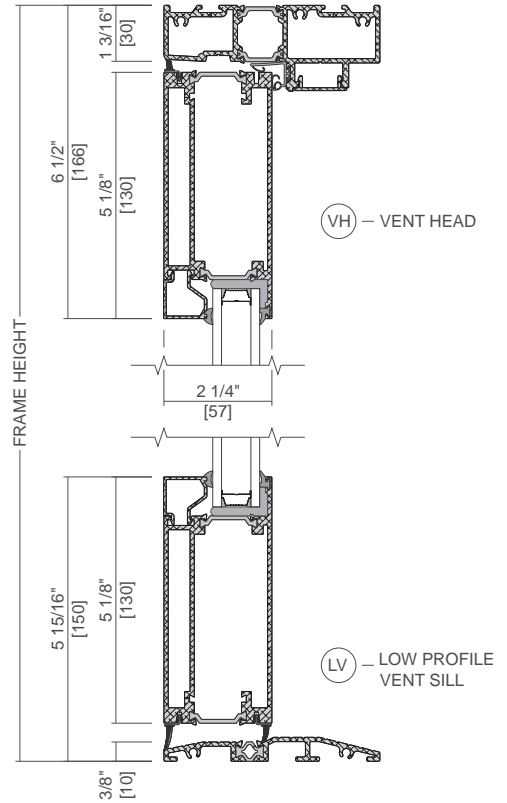
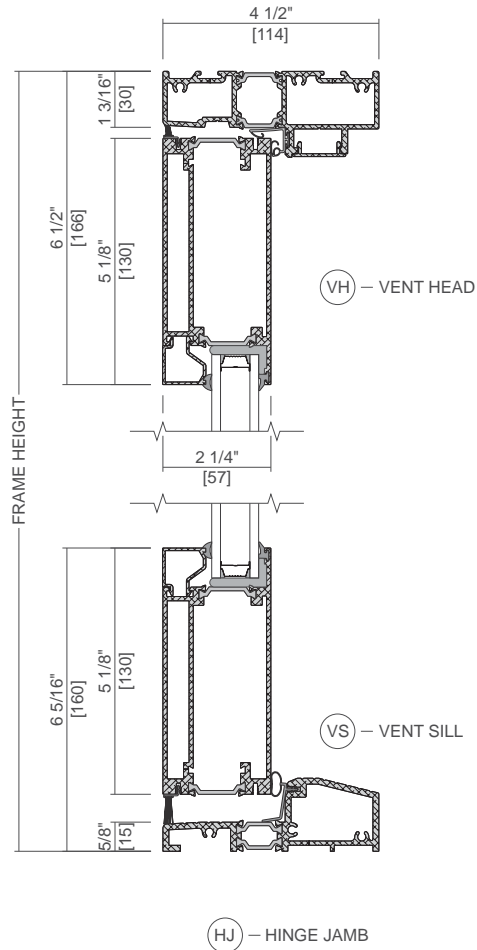
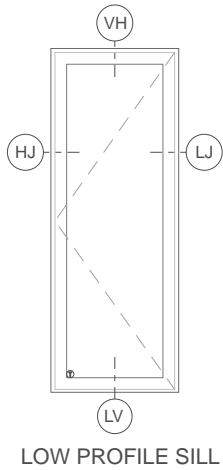
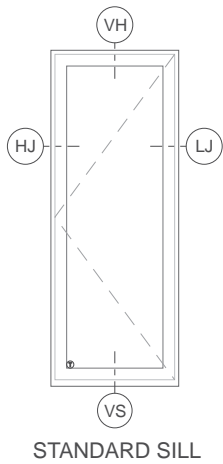
STANDARD SILL

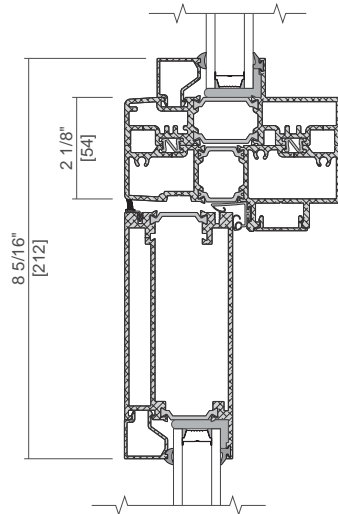
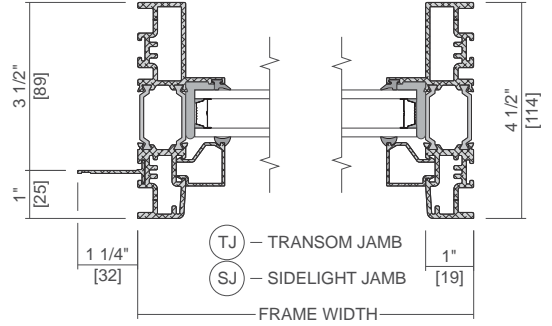
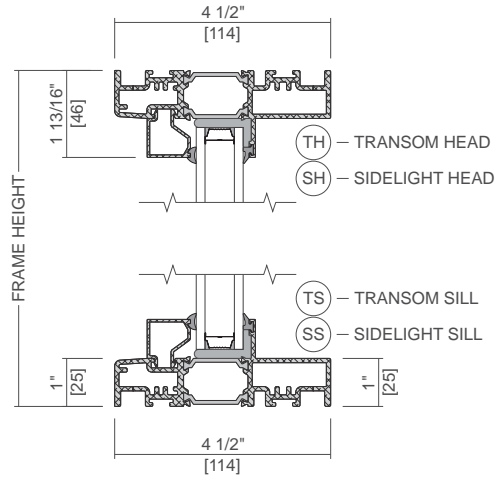
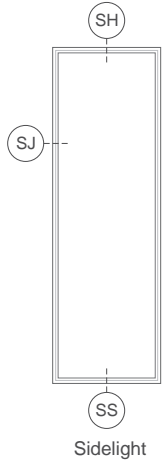
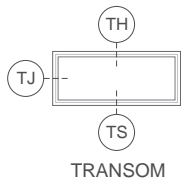


Scale 3" = 1' 0"

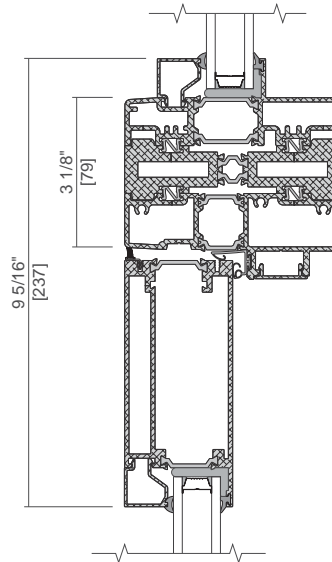
All dimensions are approximate.

Rev. 08/06/2024

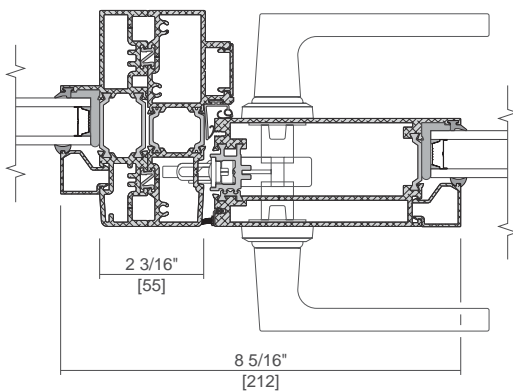




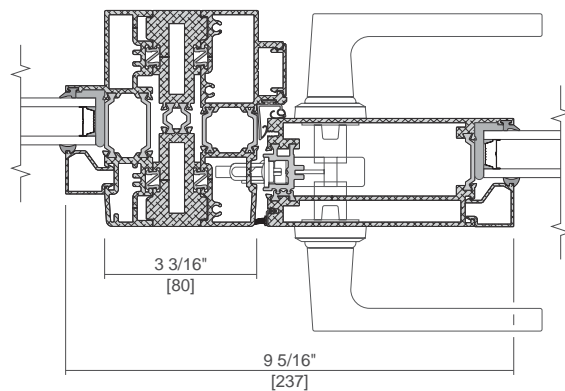
HORIZONTAL TIGHT MULLION
WINDOW WALL / OUT-SWING
WIDE STILE DOOR



HORIZONTAL 1" MULLION
WINDOW WALL / OUT-SWING
WIDE STILE DOOR



VERTICAL TIGHT MULLION
WINDOW WALL / OUT-SWING
WIDE STILE DOOR

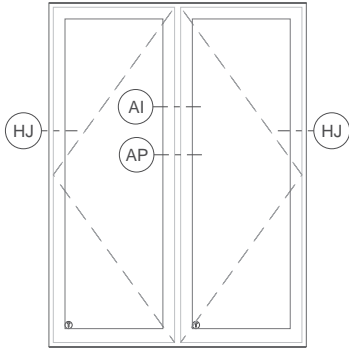


VERTICAL 1" MULLION
WINDOW WALL / OUT-SWING
WIDE STILE DOOR

Scale 3" = 1' 0"

All dimensions are approximate.

Rev. 08/06/2024



STANDARD SILL

