

Features and Options .....	PD-2
Size and Performance Data.....	PD-2
Glazing Performance.....	PD-3
Design Data .....	PD-5
Detailed Product Descriptions .....	PD-6
Unit Sections	
Frame Types and Glazing Options.....	PD-7
In-Swing Narrow-Stile Dual-Pane Glazing.....	PD-8
In-Swing Wide-Stile Dual-Pane Glazing.....	PD-9
Out-Swing Narrow-Stile Dual-Pane Glazing .....	PD-10
Out-Swing Wide-Stile Dual-Pane Glazing .....	PD-11

**Document Navigation Tips:**

Items listed in the table of contents above are active links that will take you to the corresponding page.

The logo on each page is a link back to this table of contents.

Bookmarks are also included in this PDF document and are available as an additional navigation option.

Features and Options

**Glazing**

**Glazing Type**

- Dual-Pane Tempered Insulating Glass
- Triple-Pane Tempered Insulating Glass
- Dual-Pane Laminated Insulating Glass

**Insulated Glass Options/Low-E Types**

- Low-E 366
- Low-E 366/i89
- Low-E 270

**Gas Fill**

- Argon
- Air Filled (Only available on High Altitude Products)

**Frame and Panels**

- Thermally Broken Aluminum

**Finishes<sub>1</sub>**

- Satin Anodized, Black Anodized

**Hardware**

**Finishes<sub>1</sub>**

- Satin Nickel, Black

**Performance Data<sub>2</sub>**

**Standard - Non-Impact Glazing**

Meets or Exceeds AAMA /WDMA Ratings	— Not Certified
Air Infiltration (cfm / ft <sup>2</sup> of frame @ 1.57 psf wind pressure)	—
Water Resistance	—
Design Pressure	—

**Other Performance Criteria**

Forced Entry Resistance Level (Minimum Security Grade) <sub>3</sub>	—
---	---

(—) = Not Available

(1) Contact your local sales representative for current designs and color options.

(2) Maximum performance for single unit when glazed with the appropriate glass thickness.

(3) The higher the level, the greater the product's ability to resist forced entry. Valid only if Manufacturer supplied locking system is used.

NOTE: Performance with additional options may not be the same as Standard and Special size units. Please contact your local sales representative for complete information.



Glazing Thickness	Type of Glazing	NFRC Certified Product #	Glass (mm)		Gap Fill	Performance Values <sub>1</sub>				Shaded Areas Meet ENERGY STAR® Performance Criteria in Zones Shown					
			Ext.	Int.		U-Factor	SHGC	VLT	CR	U. S.				Canada <sub>2</sub>	
										Zone				ER	Zone
<b>Dual-Pane - Narrow Stiles</b>											N	NC	SC	S	CA
1"	366/ clear	BNE-A-18-01577-00001	5	5	Argon	0.36	0.19	0.41	48						
1"	366/ i89	BNE-A-18-01597-00001	5	5	Argon	0.33	0.18	0.40	48						
1"	270/ clear	BNE-A-18-01569-00001	5	5	Argon	0.36	0.24	0.44	48						
1"	366/ clear	BNE-A-18-01575-00001	5	5	Air	0.39	0.19	0.41	48						
1"	366/ i89	BNE-A-18-01595-00001	5	5	Air	0.35	0.19	0.40	46						
1"	270/ clear	BNE-A-18-01567-00001	5	5	Air	0.39	0.25	0.44	48						
<b>Dual-Pane Laminated - Narrow Stiles</b>											N	NC	SC	S	CA
1-1/4"	366/ clear	BNE-A-18-01625-00004	5	11	Argon	0.37	0.19	0.40	49						
1-1/4"	366/ i89	PENDING	5	11	Argon										
1-1/4"	270/ clear	BNE-A-18-01625-00002	5	11	Argon	0.37	0.24	0.43	49						
1-1/4"	366/ clear	BNE-A-18-01621-00004	5	11	Air	0.40	0.19	0.40	49						
1-1/4"	366/ i89	PENDING	5	11	Air										
1-1/4"	270/ clear	BNE-A-18-01621-00002	5	11	Air	0.40	0.24	0.43	49						

Glazing Thickness	Type of Glazing	NFRC Certified Product #	Glass (mm)			Gap Fill	Performance Values <sub>1</sub>				Shaded Areas Meet ENERGY STAR® Performance Criteria in Zones Shown				
			Ext.	Mid.	Int.		U-Factor	SHGC	VLT %	CR	U. S.				Canada <sub>2</sub>
											Zone				ER
<b>Triple-Pane Glazing - Narrow</b>											N	NC	SC	S	CA
1-5/8"	366/ clear/ 180	BNE-A-18-01665-00002	5	5	5	Argon	0.28	0.17	0.36	51			SC	S	
1-5/8"	366/ 180/ i89	BNE-A-18-01685-00002	5	5	5	Argon	0.29	0.17	0.35	50					
1-5/8"	270/ clear/ 180	BNE-A-18-01657-00002	5	5	5	Argon	0.29	0.22	0.39	51					
1-5/8"	366/ clear/ 180	BNE-A-18-01663-00002	5	5	5	Air	0.31	0.17	0.36	50					
1-5/8"	366/ 180/ i89	BNE-A-18-01683-00002	5	5	5	Air	0.31	0.17	0.35	49					
1-5/8"	270/ clear/ 180	BNE-A-18-01655-00002	5	5	5	Air	0.31	0.22	0.39	50					

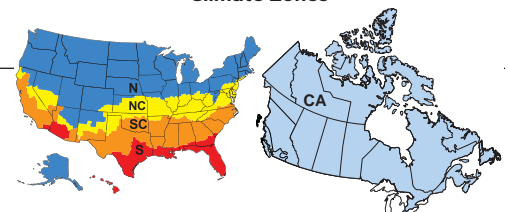
R-Value = 1/U-Factor  
 SHGC = Solar Heat Gain Coefficient  
 VLT % = Visible Light Transmission  
 CR = Condensation Resistance  
 ER = Canadian Energy Rating

(1) Glazing performance values are calculated based on NFRC 100, NFRC 200 and NFRC 500. ENERGY STAR® values are updated to 2023 (version 7) criteria.

(2) The values shown are based on Canada's updated ENERGY STAR® 2020 initiative.

Visit [www.energystar.gov](http://www.energystar.gov) for Energy Star guidelines.

Climate Zones





Glazing Thickness	Type of Glazing	NFRC Certified Product #	Glass (mm)		Gap Fill	Performance Values <sub>1</sub>				Shaded Areas Meet ENERGY STAR® Performance Criteria in Zones Shown					
			Ext.	Int.		U-Factor	SHGC	VLT	CR	U. S.			Canada <sub>2</sub>		
										Zone	ER	Zone	N	NC	SC
<b>Dual-Pane - Wide Stiles</b>											N	NC	SC	S	CA
1"	366/ clear	BNE-A-18-02617-00001	5	5	Argon	0.38	0.16	0.35	48						
1"	366/ i89	BNE-A-18-02637-00001	5	5	Argon	0.35	0.16	0.34	48						
1"	270/ clear	BNE-A-18-02609-00001	5	5	Argon	0.39	0.21	0.38	48						
1"	366/ clear	BNE-A-18-02615-00001	5	5	Air	0.41	0.17	0.35	48						
1"	366/ i89	BNE-A-18-02635-00001	5	5	Air	0.37	0.16	0.34	46						
1"	270/ clear	BNE-A-18-02607-00001	5	5	Air	0.41	0.21	0.38	48						
<b>Dual-Pane Laminated - Wide Stiles</b>											N	NC	SC	S	CA
1-1/4"	366/ clear	BNE-A-18-02665-00004	5	11	Argon	0.39	0.16	0.34	49						
1-1/4"	366/ i89	PENDING	5	11	Argon										
1-1/4"	270/ clear	BNE-A-18-02665-00002	5	11	Argon	0.39	0.21	0.37	49						
1-1/4"	366/ clear	BNE-A-18-02661-00004	5	11	Air	0.41	0.16	0.34	48						
1-1/4"	366/ i89	PENDING	5	11	Air										
1-1/4"	270/ clear	BNE-A-18-02661-00002	5	11	Air	0.41	0.21	0.37	48						

Glazing Thickness	Type of Glazing	NFRC Certified Product #	Glass (mm)			Gap Fill	Performance Values <sub>1</sub>				Shaded Areas Meet ENERGY STAR® Performance Criteria in Zones Shown				
			Ext.	Mid.	Int.		U-Factor	SHGC	VLT %	CR	U. S.			Canada <sub>2</sub>	
											Zone	ER	Zone	N	NC
<b>Triple-Pane Glazing - Wide</b>											N	NC	SC	S	CA
1-5/8"	366/ clear/ 180	BNE-A-18-02705-00002	5	5	5	Argon	0.32	0.15	0.30	50					
1-5/8"	366/ 180/ i89	BNE-A-18-02725-00002	5	5	5	Argon	0.33	0.15	0.30	49					
1-5/8"	270/ clear/ 180	BNE-A-18-02717-00002	5	5	5	Argon	0.33	0.19	0.32	49					
1-5/8"	366/ clear/ 180	BNE-A-18-02703-00002	5	5	5	Air	0.34	0.15	0.30	50					
1-5/8"	366/ 180/ i89	BNE-A-18-02723-00002	5	5	5	Air	0.34	0.15	0.30	49					
1-5/8"	270/ clear/ 180	BNE-A-18-02715-00002	5	5	5	Air	0.34	0.19	0.32	49					

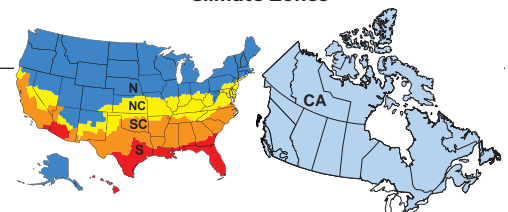
R-Value = 1/U-Factor  
 SHGC = Solar Heat Gain Coefficient  
 VLT % = Visible Light Transmission  
 CR = Condensation Resistance  
 ER = Canadian Energy Rating

(1) Glazing performance values are calculated based on NFRC 100, NFRC 200 and NFRC 500. ENERGY STAR® values are updated to 2023 (version 7) criteria.

(2) The values shown are based on Canada's updated ENERGY STAR® 2020 initiative.

Visit [www.energystar.gov](http://www.energystar.gov) for Energy Star guidelines.

Climate Zones



Pivot Doors Design Data										
Unit		Actual Frame Size	Clear Opening (Inches) <sub>1</sub>		Vent Area	Visible Glass Ft <sup>2</sup>		Standard Glass Thickness (mm) Tempered		Performance Class & Grade <sub>2</sub>
			Width (90°)	Height		Narrow Stile	Wide Stile	Dual-Pane Glazing	Triple-Pane Glazing	
4896	L/R	47.5 x 95.5	33.1	93.9	21.6	22.5	19.8	5	5	—
6096	L/R	59.5 x 95.5	45.1	93.9	29.4	29.6	26.8	5	5	—
7296	L/R	71.5 x 95.5	57.1	93.9	37.2	36.6	33.7	5	5	—
36108	L/R	35.5 x 107.5	21.1	105.9	15.5	17.6	14.8	5	5	—
48108	L/R	47.5 x 107.5	33.1	105.9	24.3	25.7	22.7	5	5	—
60108	L/R	59.5 x 107.5	45.1	105.9	33.2	33.7	30.6	5	5	—
72108	L/R	71.5 x 107.5	57.1	105.9	42.0	41.8	38.5	5	5	—
36120	L/R	35.5 x 119.5	21.1	117.9	17.3	19.8	16.7	5	5	—
48120	L/R	47.5 x 119.5	33.1	117.9	27.1	28.9	25.6	5	5	—
60120	L/R	59.5 x 119.5	45.1	117.9	36.9	37.9	34.5	5	5	—
72120	L/R	71.5 x 119.5	57.1	117.9	46.7	47.0	43.4	5	5	—

Special Sizes

Frame Width		Frame Height	
Minimum	Maximum	Minimum	Maximum
47.5"	71.5"	71.5"	143.5"

Special Sizes available in 1/4" Increments

Dimension	Formula
Rough Opening Width	FW + .5"
Rough Opening Height	FH + .5"
Clear Opening (Approximate)	FW - 14.4076" (Pivot located 10" from hinge jamb) FH - 1.5978
Visible Glass Width	Narrow Stiles: FW - 9.2864 Wide Stiles: FW - 13.025
Visible Glass Height	Narrow Stiles: FH - 10.7191 Wide Stiles: FH - 12.5886

Hardware Handle	Dimension from bottom of panel to center of lock thumbturn
48" Ladder Pull Bar	36"
72" Ladder Pull Bar	36"

(-) = Not Applicable

(1) All dimensions are approximate to the nearest 1/16".

(2) Maximum performance when glazed with the appropriate glass thickness. All doors and sidelights are Tempered glass. To convert areas to square meters (m<sup>2</sup>), multiply square feet by 0.0929.



### Frame

- Extruded aluminum head and jambs with thermal breaks.
- Extruded aluminum low-profile sill with thermal breaks.
- Frame Finish is [Satin Anodized] [Black Anodized].
- Frame Depth 4-1/2"
- Corners are secured with metal fasteners.

### Door Panels

- Extruded aluminum [Narrow Stiles/Rails] [Wide Stiles/Rails] with thermal breaks.
- Corners are secured with metal fasteners.

### Weatherstripping

- Dual-durometer extruded polymer along perimeter of door jambs.
- Extruded pile with quiet fin at top and sides of door panel. Silicone drop seal at door panel bottom.

### Glazing System<sup>1</sup>

- Quality fully-tempered float glass complying with ASTM C 1048.
- High altitude glazing available.
- Silicone-glazed, 1" double-pane, dual-seal, insulating glass
- [[366/Clear] [366/i89] [270/Clear] Low-E [with argon]]  
-or-
- Silicone-glazed, 1-1/4" double-pane, dual-seal, laminated, insulating glass.
- [[366/Clear] [270/Clear] Low-E [with argon]]  
-or-
- Silicone-glazed, 1-5/8" triple-pane, dual-seal, insulating glass
- [[366/Clear/180] [366/180/i89] [270/Clear/180] Low-E [with argon]].

### Hardware

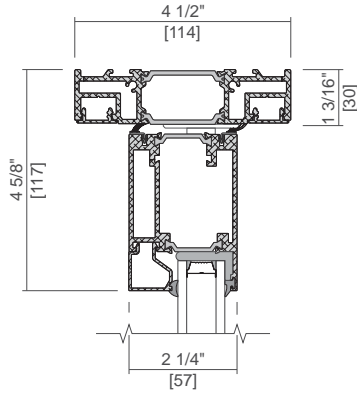
- [48"] [71"] Ladder Pull Bar handle. Hardware finish is [Satin Nickel] [Matte Black].
- Single deadbolt locking system.
- Doors 8'0" frame height and below will have one (1) roller catch below the deadbolt and one (1) roller catch above the deadbolt.
- Doors over 8'0" frame height up to and including 12'0" will have an additional roller catch above the deadbolt.
- Doors over 8'0" frame height up to and including 10'0" frame height will have one (1) roller catch centered on the pivot side.
- Doors over 10'0" frame height up to and including 12'0" will have two (2) roller catches on the pivot side.
- Roller catches to match handle finish color
- Key cylinder and thumb turn is located 36" from the bottom of the panel to center of the thumb turn. Available in [satin nickel][matte black] finishes.
- Pivot point is 11.166" from edge of frame. Pivot hardware to match handle finish color.

(1) Insulating glass with argon is Low-E coated. All other insulating glass is air-filled.

(2) Contact your local sales representative for current color options.

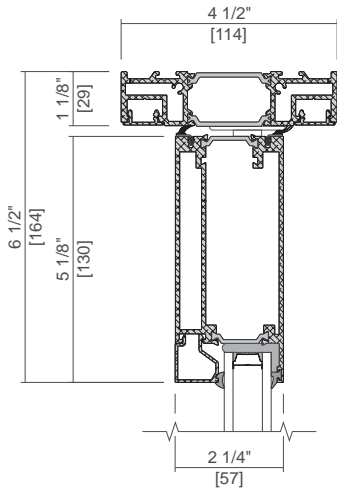
**NARROW STILE**

Standard Block Frame



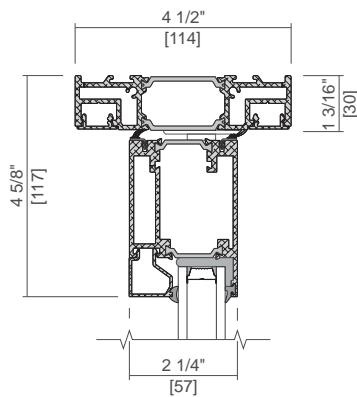
**LARGE STILE**

Standard Block Frame

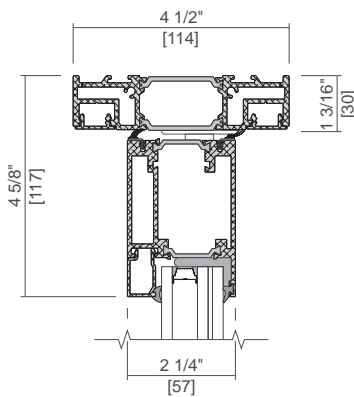


**GLAZING OPTIONS**

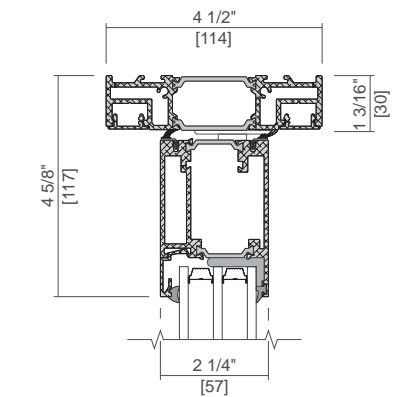
1" Dual IG



1-1/4" Impact IG



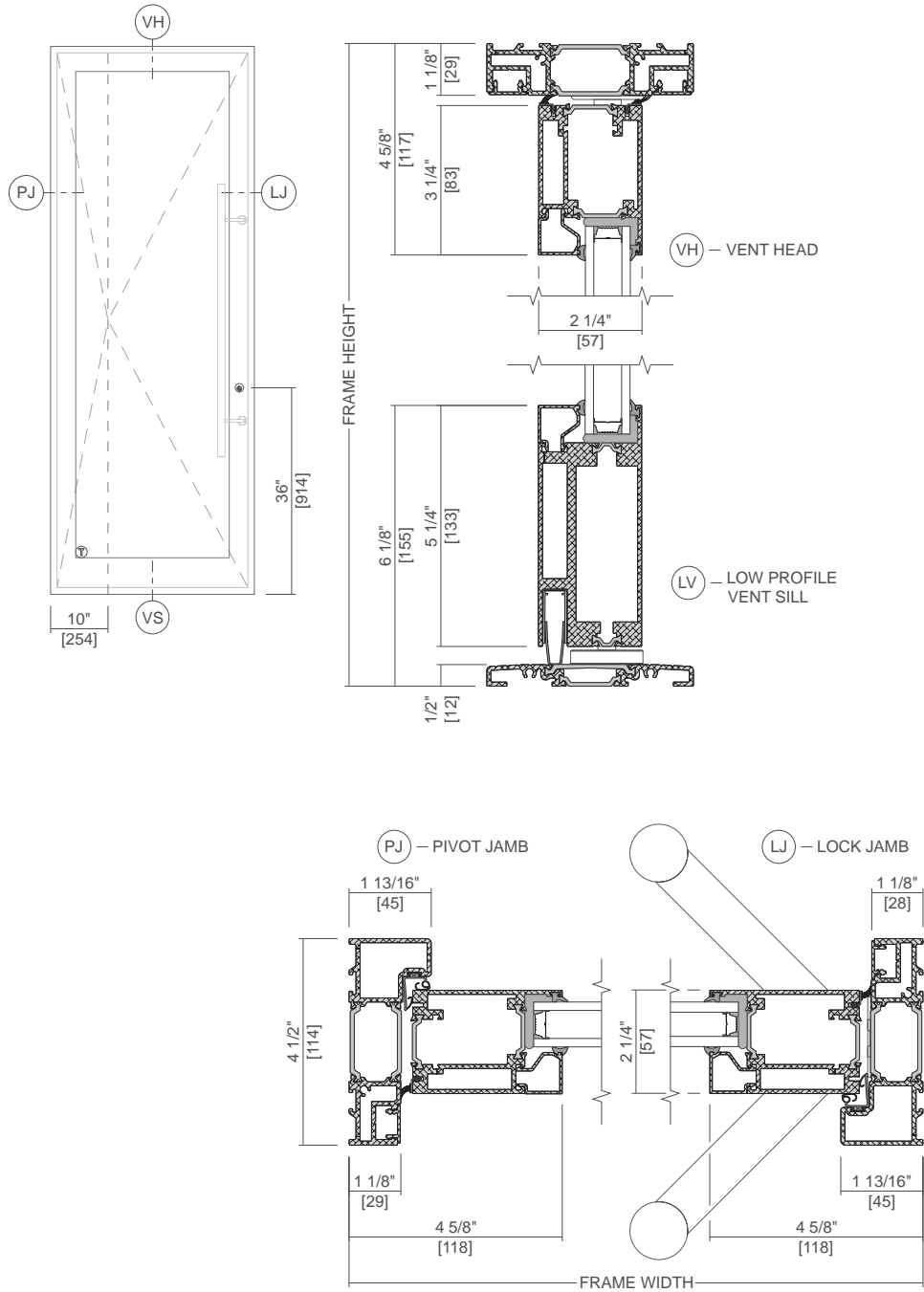
1-5/8" Triple IG



Scale 3" = 1' 0"

All dimensions are approximate.

Rev. 7/31/2024



Scale 3" = 1' 0"

All dimensions are approximate.

Rev. 7/31/2024



