



Product Selection Guide

Size and Performance Data LS-AW-2

Features and Options LS-AW-3

Combination Assemblies LS-AW-4

Glazing Performance

 Dual-Pane LS-AW-5

 Triple-Pane LS-AW-7

Grille Types LS-AW-9

Size Tables

 Dual-Pane LS-AW-10

 Triple-Pane LS-AW-11

Special Sizes and Dimensions LS-AW-12

Design Data

 Dual-Pane LS-AW-13

 Triple-Pane LS-AW-15

Detailed Product Descriptions LS-AW-19

Unit Sections

 Dual-Pane LS-AW-20

 Triple-Pane LS-AW-21

Document Navigation Tips:

Items listed in the table of contents above are active links that will take you to the corresponding page. The Pella logo on each page is a link back to this table of contents. Bookmarks are also included in this PDF document and are available as an additional navigation option.

Supporting documents for this product:

Test Reports:

- https://media.pella.com/professional/adm/CertificationReports/Test_Reports_LS-Dual.pdf?utm_source=pdfdoc
- https://media.pella.com/professional/adm/CertificationReports/Test_Reports_LS-Triple.pdf?utm_source=pdfdoc

CSI Specs (readable using Microsoft Word or other text editing application):

- https://media.pella.com/professional/adm/Wood-CSI_Specs/08551.rtf?utm_source=pdfdoc

Detailed Product Description (readable using Microsoft Word or other text editing application):

- https://media.pella.com/professional/adm/Clad-Wood-LS/PellaLifestyleSrs-AW_DPD.rtf?utm_source=pdfdoc

Size Tables (requires appropriate CAD software to read and use):

- https://media.pella.com/professional/adm/Clad-Wood-LS/LSCAWE_D.dwg?utm_source=pdfdoc

CAD cross sections (requires appropriate CAD software to read and use):

- https://media.pella.com/professional/adm/Clad-Wood-LS/LS-AW_XSEC.dwg?utm_source=pdfdoc

3D & BIM (requires appropriate software to read and use):

- https://media.pella.com/professional/adm/RevitFiles/LS-Revit/Window-Awning-Pella-Lifestyle_Series.zip?utm_source=pdfdoc

Sketchup (requires appropriate software to read and use):

- https://media.pella.com/professional/adm/Clad-Wood-LS/PellaSKP_LifestyleSeries_Awning.zip?utm_source=pdfdoc

Combination Recommendations:

- https://media.pella.com/professional/adm/Clad-Wood/D_Combinations.pdf?utm_source=pdfdoc

Installation Details:

- https://media.pella.com/professional/adm/Clad-Wood/F_InstallationDetails.pdf?utm_source=pdfdoc

Microsoft and Microsoft Word are registered trademarks of Microsoft Corp.



Lifestyle Series Awning

Performance Data

Size and Performance Data

	Dual-Pane Glazing	Triple-Pane Glazing
Sizes		
Standard vent/fixed sizes	●	●
Special sizes available	●	●
Performance₁		
Meets or Exceeds AAMA/WDMA Ratings	LC30 - LC50 Hallmark Certified	R20 - CW50 Hallmark Certified
Air Infiltration (cfm/ft ² of frame @ 1.57 psf wind pressure) ₂	0.05	0.05
Water Resistance	4.6 - 14.62 psf	7.5 psf
Design Pressure	30 - 50 psf	20 - 50 psf
Other Performance Criteria		
Forced Entry Resistance Level (Minimum Security Grade) ₃	40	40

Sound Transmission Class / Outdoor-Indoor Transmission Class

Frame Size Tested ₄	Glazing System				STC Rating	OITC Rating
	Overall Glazing Thickness	Exterior Glass Thickness	Interior Glass Thickness	Third Pane Thickness (ML)		
VENT – Dual-Pane Glass						
59" x 23"	11/16"	2.5mm	2.5mm	—	25	22
59" x 23"	11/16"	5mm	3mm	—	32	28
FIXED – Dual-Pane Glass						
47" x 59"	11/16"	3mm	3mm	—	28	24
47" x 59"	11/16"	5mm	3mm	—	30	28
VENT – Triple-Pane Glass						
59" x 23"	11/16"	2.5mm	2.5mm	2.5mm	31	27
59" x 23" with shade	11/16"	2.5mm	2.5mm	2.5mm	33	28
59" x 23" with blind	11/16"	2.5mm	2.5mm	2.5mm	32	27
59" x 23"	11/16"	5mm	3mm	4mm	34	32
59" x 23" with shade	11/16"	5mm	3mm	4mm	35	32
59" x 23" with blind	11/16"	5mm	3mm	4mm	34	32
FIXED – Triple-Pane Glass						
47" x 59"	11/16"	3mm	3mm	3mm	33	27
47" x 59" with shade	11/16"	3mm	3mm	3mm	35	29
47" x 59" with blind	11/16"	3mm	3mm	3mm	34	27
47" x 59"	11/16"	5mm	3mm	4mm	35	30
47" x 59" with shade	11/16"	5mm	3mm	4mm	37	31
47" x 59" with blind	11/16"	5mm	3mm	4mm	35	30
47" x 59"	11/16"	4mm	6mm	4mm	35	29
47" x 59" with shade	11/16"	4mm	6mm	4mm	37	31
47" x 59" with blind	11/16"	4mm	6mm	4mm	36	30

(1) Maximum performance for single unit when glazed with the appropriate glass thickness. See Design Data pages in this section for specific product performance class and grade values. Values shown are for standard and special sizes. Contact your local sales representative for complete information.

(2) Published performance data for air infiltration is determined by testing a minimum of four (4) products of NFRC model size. Testing is conducted in accordance with ASTM E283. Air infiltration ratings for products will differ by size. The performance data does not apply to combination assemblies unless noted. Actual product performance may vary for a number of reasons including installation and product care.

(3) The higher the level, the greater the product's ability to resist forced entry.

(4) ASTM E 1425 defines standard sizes for acoustical testing. Ratings achieved at that size are representative of all sizes of the same configuration.



Lifestyle Series Awning

Features and Options

Standard	Options / Upgrades
Glazing	
Glazing Type	
Dual-Pane Glazing	Triple-Pane Glazing with Clear Moveable Light
Insulated Glass Options/Low-E Types	
Advanced Low-E	SunDefense™ Low-E
	SunDefense+ Low-E
	AdvancedComfort Low-E
	NaturalSun Low-E
	NaturalSun+ Low-E
Glass Performance Package Options	
Base Package (Dual-Pane)	Performance Package - Triple-Pane
	Sound Control Package - Triple-Pane with STC glass
	Energy Efficiency Package - Triple-Pane with AdvancedComfort Low-E
	Ultimate Performance Package - Triple-Pane with AdvancedComfort Low-E and STC glass
Additional Glass Options	
Annealed Glass	STC Glazing Options
	Tempered Glass
	Obscure Glass ¹
Gas Fill/High Altitude	
Argon	High altitude (Air-filled only)
Exterior	
EnduraClad® Cladding Colors¹	
4 Standard colors	8 Feature colors
Interior¹	
Unfinished wood	Factory primed, Factory prefinished paint, Factory prefinished stain
Wood Types	
Pine	—
Hardware	
Champagne, White, Brown or Matte Black	Satin Nickel, Satin Brass
Sash Locks	
Innovative Locking System, Unison Lock System ²	—
Hinging	
Large Awning—Wash Hinge	—
Grilles	
Simulated-Divided-Light with Optional Spacer (Dual-Pane glazing)	
—	Traditional, Prairie, Top Row, Cross, Custom - Equally Divided
Simulated-Divided-Light with Grilles-Between-the-Glass (Triple-Pane glazing)	
—	Traditional, Prairie, Top Row, Cross, Custom - Equally Divided
Grilles-Between-the-Glass	
—	Traditional, Prairie, Top Row, Cross, Custom - Equally Divided
Integrated Between-the-Glass Options (Triple-Pane Only)¹	
Cellular Fabric Shades	
—	Raise-and-lower bottom-up
Slimshade® Blinds	
—	Raise-and-lower bottom-up
Screens	
—	InView™ screens

(—) = Not Available

(2) Unit height determines availability.

(1) Contact your local Pella sales representative for current designs and color options.



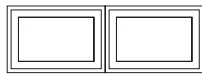
Lifestyle Series Awning

Combination Assemblies

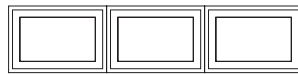
Combinations are a great way to create visual interest in any project. A combination is an assembly formed by two or more separate windows or doors whose frames are mullioned together by a combination or reinforcing mullion.

Pella window combinations are available in an endless variety of arrangements. Below are available factory-assembled combinations. Some units can be fixed or vent depending on availability. Refer to Combinations section for requirements and limitations.

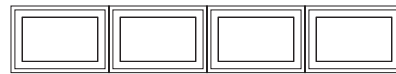
Contact your local Pella sales representative for more information.



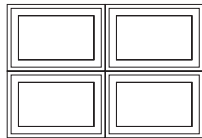
Two-Wide



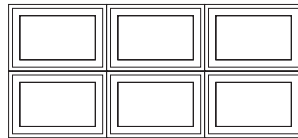
Three-Wide



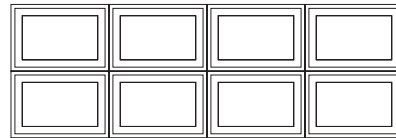
Four-Wide



Two-Wide
Two-High



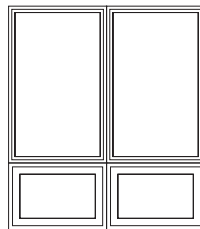
Three-Wide
Two-High



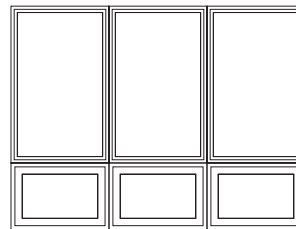
Four-Wide
Two-High



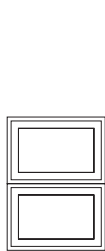
Clad Frame over
Single-Wide



Two-Wide Clad Frame
over Two-Wide



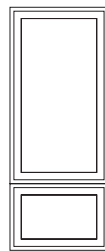
Three-Wide Clad Frame
over Three-Wide



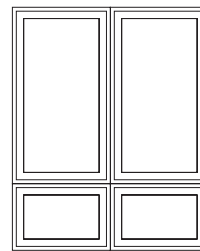
Two-High



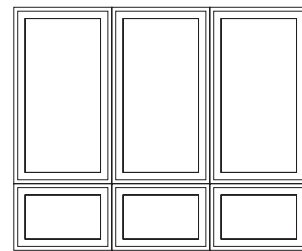
Three-High



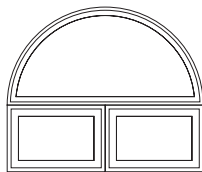
Casement over
Single



Two-Wide Casement over
Two-Wide Awning



Three-Wide Casement over
Three-Wide Awning



Half Circle over
Two-Wide



Lifestyle Series Awning

Glazing Performance - Total Unit

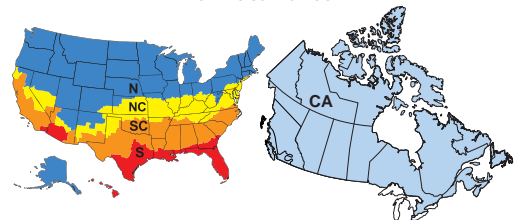
Glazing Thickness	Type of Glazing	NFRC Certified Product #	Glass (mm)		Gap Fill	Performance Values ¹				Shaded Areas Meet ENERGY STAR [®] Performance Criteria in Zones Shown						
			Ext.	Int.		U-Factor	SHGC	VLT	CR	U. S.				Canada ²		
										Zone				ER	Zone	
Dual-Pane Vent										N	NC	SC	S	CA		
11/16"	Advanced LowE IG	PEL-N-37-00714-00001	2.5	2.5	argon	0.29	0.27	0.51	57							
	with grilles-between-the-glass	PEL-N-37-00715-00001				0.29	0.25	0.47	57							
	with Simulated Divided Light	PEL-N-37-00716-00001				0.29	0.25	0.47	57							
11/16"	Advanced LowE IG	PEL-N-37-00722-00001	3	3	argon	0.29	0.27	0.51	56							
	with grilles-between-the-glass	PEL-N-37-00723-00001				0.29	0.25	0.46	56							
	with Simulated Divided Light	PEL-N-37-00724-00001				0.29	0.25	0.46	56							
11/16"	SunDefense™ Low-E IG	PEL-N-37-00830-00001	2.5	2.5	argon	0.28	0.20	0.48	57			SC	S			
	with grilles-between-the-glass	PEL-N-37-00831-00001				0.28	0.19	0.43	57			SC	S			
	with Simulated Divided Light	PEL-N-37-00832-00001				0.29	0.19	0.43	57				S			
11/16"	SunDefense Low-E IG	PEL-N-37-00838-00001	3	3	argon	0.28	0.20	0.47	57			SC	S			
	with grilles-between-the-glass	PEL-N-37-00839-00001				0.28	0.19	0.43	57			SC	S			
	with Simulated Divided Light	PEL-N-37-00840-00001				0.29	0.19	0.43	56				S			
11/16"	SunDefense+ Low-E IG	PEL-N-37-01234-00001	2.5	2.5	argon	0.25	0.20	0.46	46		NC	SC	S			
	with grilles-between-the-glass	PEL-N-37-01235-00001				0.25	0.18	0.42	46		NC	SC	S			
	with Simulated Divided Light	PEL-N-37-01236-00001				0.25	0.18	0.42	46		NC	SC	S			
11/16"	SunDefense+ Low-E IG	PEL-N-37-01242-00001	3	3	argon	0.25	0.20	0.46	44		NC	SC	S			
	with grilles-between-the-glass	PEL-N-37-01243-00001				0.25	0.18	0.42	44		NC	SC	S			
	with Simulated Divided Light	PEL-N-37-01244-00001				0.26	0.18	0.42	44			SC	S			
11/16"	AdvancedComfort Low-E IG	PEL-N-37-00782-00001	2.5	2.5	argon	0.25	0.27	0.50	45		NC					
	with grilles-between-the-glass	PEL-N-37-00783-00001				0.25	0.25	0.46	45		NC					
	with Simulated Divided Light	PEL-N-37-00784-00001				0.26	0.25	0.46	45							
11/16"	AdvancedComfort Low-E IG	PEL-N-37-00790-00001	3	3	argon	0.25	0.27	0.50	44		NC					
	with grilles-between-the-glass	PEL-N-37-00791-00001				0.25	0.25	0.45	44		NC					
	with Simulated Divided Light	PEL-N-37-00792-00001				0.26	0.25	0.45	44							
11/16"	NaturalSun LowE IG	PEL-N-37-00666-00001	2.5	2.5	argon	0.30	0.51	0.58	57							
	with grilles-between-the-glass	PEL-N-37-00667-00001				0.30	0.47	0.53	57							
	with Simulated Divided Light	PEL-N-37-00668-00001				0.30	0.47	0.53	57							
11/16"	NaturalSun LowE IG	PEL-N-37-00674-00001	3	3	argon	0.30	0.50	0.58	56							
	with grilles-between-the-glass	PEL-N-37-00675-00001				0.30	0.46	0.52	56							
	with Simulated Divided Light	PEL-N-37-00676-00001				0.30	0.46	0.52	56							
11/16"	NaturalSun+ LowE IG	PEL-N-37-01186-00001	2.5	2.5	argon	0.26	0.47	0.57	44	N				35	CA	
	with grilles-between-the-glass	PEL-N-37-01187-00001				0.26	0.43	0.52	44	N						
	with Simulated Divided Light	PEL-N-37-01188-00001				0.26	0.43	0.52	44	N						
11/16"	NaturalSun+ LowE IG	PEL-N-37-01194-00001	3	3	argon	0.26	0.46	0.56	43	N				34	CA	
	with grilles-between-the-glass	PEL-N-37-01195-00001				0.26	0.42	0.51	43	N						
	with Simulated Divided Light	PEL-N-37-01196-00001				0.26	0.42	0.51	43	N						

R-Value = 1/U-Factor
 SHGC = Solar Heat Gain Coefficient
 VLT % = Visible Light Transmission
 CR = Condensation Resistance
 ER = Canadian Energy Rating

(1) Glazing performance values are calculated based on NFRC 100, NFRC 200 and NFRC 500. ENERGY STAR[®] values are updated to 2023 (version 7) criteria.

(2) The values shown are based on Canada's updated ENERGY STAR[®] 2020 initiative. Visit www.energystar.gov for Energy Star guidelines.

Climate Zones





Lifestyle Series Awning

Glazing Performance - Total Unit

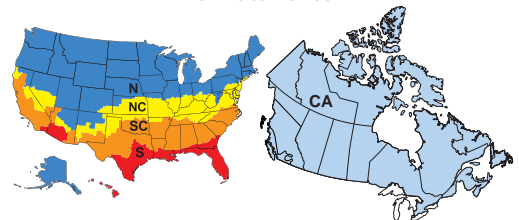
Glazing Thickness	Type of Glazing	NFRC Certified Product #	Glass (mm)		Gap Fill	Performance Values ¹				Shaded Areas Meet ENERGY STAR [®] Performance Criteria in Zones Shown						
			Ext.	Int.		U-Factor	SHGC	VLT	CR	U. S.				Canada ²		
										Zone				ER	Zone	
Dual-Pane Vent - High Altitude Glazing										N	NC	SC	S	CA		
11/16"	Advanced LowE IG	PEL-N-37-00710-00001	2.5	2.5	air	0.32	0.28	0.51	53							
	with grilles-between-the-glass	PEL-N-37-00711-00001				0.32	0.25	0.47	53							
	with Simulated Divided Light	PEL-N-37-00712-00001				0.32	0.25	0.47	53							
11/16"	Advanced LowE IG	PEL-N-37-00718-00001	3	3	air	0.32	0.28	0.51	52							
	with grilles-between-the-glass	PEL-N-37-00719-00001				0.32	0.25	0.46	52							
	with Simulated Divided Light	PEL-N-37-00720-00001				0.33	0.25	0.46	52							
11/16"	SunDefense™ Low-E IG	PEL-N-37-00826-00001	2.5	2.5	air	0.32	0.21	0.48	54				S			
	with grilles-between-the-glass	PEL-N-37-00827-00001				0.32	0.19	0.43	54				S			
	with Simulated Divided Light	PEL-N-37-00828-00001				0.32	0.19	0.43	54				S			
11/16"	SunDefense Low-E IG	PEL-N-37-00834-00001	3	3	air	0.32	0.21	0.47	53				S			
	with grilles-between-the-glass	PEL-N-37-00835-00001				0.32	0.19	0.43	53				S			
	with Simulated Divided Light	PEL-N-37-00836-00001				0.32	0.19	0.43	53				S			
11/16"	SunDefense+ Low-E IG	PEL-N-37-01230-00001	2.5	2.5	air	0.28	0.20	0.46	42			SC	S			
	with grilles-between-the-glass	PEL-N-37-01231-00001				0.28	0.19	0.42	42			SC	S			
	with Simulated Divided Light	PEL-N-37-01232-00001				0.28	0.19	0.42	42			SC	S			
11/16"	SunDefense+ Low-E IG	PEL-N-37-01238-00001	3	3	air	0.28	0.20	0.46	41			SC	S			
	with grilles-between-the-glass	PEL-N-37-01239-00001				0.28	0.19	0.42	41			SC	S			
	with Simulated Divided Light	PEL-N-37-01240-00001				0.28	0.19	0.42	41			SC	S			
11/16"	AdvancedComfort Low-E IG	PEL-N-37-00778-00001	2.5	2.5	air	0.28	0.27	0.50	41							
	with grilles-between-the-glass	PEL-N-37-00779-00001				0.28	0.25	0.46	41							
	with Simulated Divided Light	PEL-N-37-00780-00001				0.28	0.25	0.46	41							
11/16"	AdvancedComfort Low-E IG	PEL-N-37-00786-00001	3	3	air	0.28	0.27	0.50	40							
	with grilles-between-the-glass	PEL-N-37-00787-00001				0.28	0.25	0.45	40							
	with Simulated Divided Light	PEL-N-37-00788-00001				0.28	0.25	0.45	40							
11/16"	NaturalSun LowE IG	PEL-N-37-00662-00001	2.5	2.5	air	0.33	0.51	0.58	53							
	with grilles-between-the-glass	PEL-N-37-00663-00001				0.33	0.47	0.53	53							
	with Simulated Divided Light	PEL-N-37-00664-00001				0.33	0.47	0.53	53							
11/16"	NaturalSun LowE IG	PEL-N-37-00670-00001	3	3	air	0.33	0.50	0.58	52							
	with grilles-between-the-glass	PEL-N-37-00671-00001				0.33	0.46	0.52	52							
	with Simulated Divided Light	PEL-N-37-00672-00001				0.34	0.46	0.52	52							
11/16"	NaturalSun+ LowE IG	PEL-N-37-01182-00001	2.5	2.5	air	0.28	0.46	0.57	41							
	with grilles-between-the-glass	PEL-N-37-01183-00001				0.28	0.42	0.52	41							
	with Simulated Divided Light	PEL-N-37-01184-00001				0.28	0.42	0.52	41							
11/16"	NaturalSun+ LowE IG	PEL-N-37-01190-00001	3	3	air	0.29	0.46	0.56	40							
	with grilles-between-the-glass	PEL-N-37-01191-00001				0.29	0.42	0.51	40							
	with Simulated Divided Light	PEL-N-37-01192-00001				0.29	0.42	0.51	40							

R-Value = 1/U-Factor
 SHGC = Solar Heat Gain Coefficient
 VLT % = Visible Light Transmission
 CR = Condensation Resistance
 ER = Canadian Energy Rating

(1) Glazing performance values are calculated based on NFRC 100, NFRC 200 and NFRC 500. ENERGY STAR[®] values are updated to 2023 (version 7) criteria.

(2) The values shown are based on Canada's updated ENERGY STAR[®] 2020 initiative. Visit www.energystar.gov for Energy Star guidelines.

Climate Zones





Lifestyle Series Awning

Glazing Performance - Total Unit

Glazing Thickness	Type of Glazing	NFRC Certified Product #	Glass (mm)			Gap Fill	Performance Values ₁				Shaded Areas Meet ENERGY STAR® Performance Criteria in Zones Shown					
			Ext.	Mid	Int.		U-Factor ₁	SHGC	VLT	CR	U. S.				Canada ₂	
											Zone				ER	Zone
Triple-Pane Vent with Clear HGP											N	NC	SC	S	CA	
11/16"	Advanced Low-E IG	PEL-N-246-00361-00001	2.5	2.5	2.5	argon	0.24	0.23	0.42	69		NC	SC	S		
11/16"	Advanced Low-E IG w/ GBG	PEL-N-246-00362-00001	2.5	2.5	2.5	argon	0.24	0.21	0.38	69		NC	SC	S		
11/16"	Advanced Low-E IG w/ SDL	PEL-N-246-00362-00002	2.5	2.5	2.5	argon	0.24	0.21	0.38	69		NC	SC	S		
11/16"	Advanced Low-E IG	PEL-N-246-00363-00001	3	3	3	argon	0.24	0.23	0.41	69		NC	SC	S		
11/16"	Advanced Low-E IG w/ GBG	PEL-N-246-00364-00001	3	3	3	argon	0.24	0.21	0.37	69		NC	SC	S		
11/16"	Advanced Low-E IG w/ SDL	PEL-N-246-00364-00002	3	3	3	argon	0.24	0.21	0.37	69		NC	SC	S		
11/16"	Advanced Low-E IG	PEL-N-246-00441-00001	5	3	4	argon	0.24	0.22	0.41	68		NC	SC	S		
11/16"	Advanced Low-E IG w/ GBG	PEL-N-246-00442-00001	5	3	4	argon	0.25	0.20	0.37	68		NC	SC	S		
11/16"	Advanced Low-E IG w/ SDL	PEL-N-246-00442-00002	5	3	4	argon	0.25	0.20	0.37	68		NC	SC	S		
11/16"	AdvancedComfort Low-E IG	PEL-N-246-00269-00001	2.5	2.5	2.5	argon	0.19	0.22	0.41	75	N	NC	SC	S	29	CA
11/16"	AdvancedComfort Low-E IG w/ GBG	PEL-N-246-00270-00001	2.5	2.5	2.5	argon	0.19	0.20	0.37	75	N	NC	SC	S	28	CA
11/16"	AdvancedComfort Low-E IG w/ SDL	PEL-N-246-00270-00002	2.5	2.5	2.5	argon	0.19	0.20	0.37	75	N	NC	SC	S	28	CA
11/16"	AdvancedComfort Low-E IG	PEL-N-246-00271-00001	3	3	3	argon	0.20	0.22	0.40	75	N	NC	SC	S	27	CA
11/16"	AdvancedComfort Low-E IG w/ GBG	PEL-N-246-00272-00001	3	3	3	argon	0.20	0.20	0.36	75	N	NC	SC	S	26	CA
11/16"	AdvancedComfort Low-E IG w/ SDL	PEL-N-246-00272-00002	3	3	3	argon	0.20	0.20	0.36	75	N	NC	SC	S	26	CA
11/16"	AdvancedComfort Low-E IG	PEL-N-246-00333-00001	5	3	4	argon	0.20	0.22	0.40	74	N	NC	SC	S	27	CA
11/16"	AdvancedComfort Low-E IG w/ GBG	PEL-N-246-00334-00001	5	3	4	argon	0.21	0.20	0.36	76	N	NC	SC	S	25	CA
11/16"	AdvancedComfort Low-E IG w/ SDL	PEL-N-246-00334-00002	5	3	4	argon	0.21	0.20	0.36	76	N	NC	SC	S	25	CA
11/16"	SunDefense™ Low-E IG	PEL-N-246-00385-00001	2.5	2.5	2.5	argon	0.23	0.17	0.39	70		NC	SC	S		
11/16"	SunDefense Low-E IG w/ GBG	PEL-N-246-00386-00001	2.5	2.5	2.5	argon	0.23	0.16	0.35	70		NC	SC	S		
11/16"	SunDefense Low-E IG w/ SDL	PEL-N-246-00386-00002	2.5	2.5	2.5	argon	0.23	0.16	0.35	70		NC	SC	S		
11/16"	SunDefense Low-E IG	PEL-N-246-00387-00001	3	3	3	argon	0.23	0.17	0.38	69		NC	SC	S		
11/16"	SunDefense Low-E IG w/ GBG	PEL-N-246-00388-00001	3	3	3	argon	0.23	0.16	0.34	69		NC	SC	S		
11/16"	SunDefense Low-E IG w/ SDL	PEL-N-246-00388-00002	3	3	3	argon	0.23	0.16	0.34	69		NC	SC	S		
11/16"	SunDefense Low-E IG	PEL-N-246-00457-00001	5	3	4	argon	0.24	0.17	0.38	68		NC	SC	S		
11/16"	SunDefense Low-E IG w/ GBG	PEL-N-246-00458-00001	5	3	4	argon	0.24	0.16	0.34	68		NC	SC	S		
11/16"	SunDefense Low-E IG w/ SDL	PEL-N-246-00458-00002	5	3	4	argon	0.24	0.16	0.34	68		NC	SC	S		
11/16"	SunDefense+ Low-E IG	PEL-N-246-00281-00001	2.5	2.5	2.5	argon	0.19	0.17	0.38	76	N	NC	SC	S	26	CA
11/16"	SunDefense+ Low-E IG w/ GBG	PEL-N-246-00282-00001	2.5	2.5	2.5	argon	0.19	0.15	0.34	76		NC	SC	S	25	CA
11/16"	SunDefense+ Low-E IG w/ SDL	PEL-N-246-00282-00002	2.5	2.5	2.5	argon	0.19	0.15	0.34	76		NC	SC	S	25	CA
11/16"	SunDefense+ Low-E IG	PEL-N-246-00283-00001	3	3	3	argon	0.19	0.17	0.37	76	N	NC	SC	S	26	CA
11/16"	SunDefense+ Low-E IG w/ GBG	PEL-N-246-00284-00001	3	3	3	argon	0.19	0.15	0.34	76		NC	SC	S	25	CA
11/16"	SunDefense+ Low-E IG w/ SDL	PEL-N-246-00284-00002	3	3	3	argon	0.19	0.15	0.34	76		NC	SC	S	25	CA
11/16"	SunDefense+ Low-E IG	PEL-N-246-00341-00001	5	3	4	argon	0.20	0.17	0.37	74	N	NC	SC	S	24	CA
11/16"	SunDefense+ Low-E IG w/ GBG	PEL-N-246-00342-00001	5	3	4	argon	0.20	0.15	0.33	74		NC	SC	S		
11/16"	SunDefense+ Low-E IG w/ SDL	PEL-N-246-00342-00002	5	3	4	argon	0.20	0.15	0.33	74		NC	SC	S		
11/16"	NaturalSun Low-E IG	PEL-N-246-00349-00001	2.5	2.5	2.5	argon	0.24	0.42	0.47	69	N				34	CA
11/16"	NaturalSun Low-E IG w/ GBG	PEL-N-246-00350-00001	2.5	2.5	2.5	argon	0.24	0.38	0.43	69	N	NC				
11/16"	NaturalSun Low-E IG w/ SDL	PEL-N-246-00350-00002	2.5	2.5	2.5	argon	0.24	0.38	0.43	69	N	NC				
11/16"	NaturalSun Low-E IG	PEL-N-246-00351-00001	3	3	3	argon	0.24	0.41	0.47	68	N				34	CA
11/16"	NaturalSun Low-E IG w/ GBG	PEL-N-246-00352-00001	3	3	3	argon	0.24	0.37	0.42	68	N	NC				
11/16"	NaturalSun Low-E IG w/ SDL	PEL-N-246-00352-00002	3	3	3	argon	0.24	0.37	0.42	68	N	NC				
11/16"	NaturalSun Low-E IG	PEL-N-246-00433-00001	5	3	4	argon	0.25	0.40	0.46	67	N	NC				
11/16"	NaturalSun Low-E IG w/ GBG	PEL-N-246-00434-00001	5	3	4	argon	0.25	0.36	0.42	67		NC				
11/16"	NaturalSun Low-E IG w/ SDL	PEL-N-246-00434-00002	5	3	4	argon	0.25	0.36	0.42	67		NC				
11/16"	NaturalSun+ Low-E IG	PEL-N-246-00257-00001	2.5	2.5	2.5	argon	0.20	0.38	0.46	75	N	NC			37	CA
11/16"	NaturalSun+ Low-E IG w/ GBG	PEL-N-246-00258-00001	2.5	2.5	2.5	argon	0.20	0.35	0.42	75	N	NC			35	CA
11/16"	NaturalSun+ Low-E IG w/ SDL	PEL-N-246-00258-00002	2.5	2.5	2.5	argon	0.20	0.35	0.42	75	N	NC			35	CA
11/16"	NaturalSun+ Low-E IG	PEL-N-246-00259-00001	3	3	3	argon	0.20	0.37	0.46	75	N	NC			36	CA
11/16"	NaturalSun+ Low-E IG w/ GBG	PEL-N-246-00260-00001	3	3	3	argon	0.20	0.34	0.41	75	N	NC			34	CA
11/16"	NaturalSun+ Low-E IG w/ SDL	PEL-N-246-00260-00002	3	3	3	argon	0.20	0.34	0.41	75	N	NC			34	CA
11/16"	NaturalSun+ Low-E IG	PEL-N-246-00325-00001	5	3	4	argon	0.21	0.36	0.45	74	N	NC			34	CA
11/16"	NaturalSun+ Low-E IG w/ GBG	PEL-N-246-00326-00001	5	3	4	argon	0.21	0.33	0.41	74	N	NC			33	CA
11/16"	NaturalSun+ Low-E IG w/ SDL	PEL-N-246-00326-00002	5	3	4	argon	0.21	0.33	0.41	74	N	NC			33	CA

(1) Glazing performance values are calculated based on NFRC 100, NFRC 200 and NFRC 500. ENERGY STAR® values are updated to 2023 (version 7) criteria.

(2) The values shown are based on Canada's updated ENERGY STAR® 2020 initiative.

Visit www.energystar.gov for Energy Star guidelines.

R-Value = 1/U-Factor
 SHGC = Solar Heat Gain Coefficient
 VLT % = Visible Light Transmission
 CR = Condensation Resistance
 ER = Canadian Energy Rating



Lifestyle Series Awning

Glazing Performance - Total Unit

Glazing Thickness	Type of Glazing	NFRC Certified Product #	Glass (mm)			Gap Fill	Performance Values ₁				Shaded Areas Meet ENERGY STAR® Performance Criteria in Zones Shown					
			Ext.	Mid	Int.		U-Factor ₁	SHGC	VLT	CR	U. S.				Canada ₂	
											Zone				ER	Zone
Triple-Pane Vent with High Altitude Glazing and Clear HGP											N	NC	SC	S	CA	
11/16"	Advanced Low-E HA IG	PEL-N-246-00367-00001	2.5	2.5	2.5	air	0.25	0.23	0.42	67		NC	SC	S		
11/16"	Advanced Low-E HA IG w/ GBG	PEL-N-246-00368-00001	2.5	2.5	2.5	air	0.25	0.21	0.38	67		NC	SC	S		
11/16"	Advanced Low-E HA IG w/ SDL	PEL-N-246-00368-00002	2.5	2.5	2.5	air	0.25	0.21	0.38	67		NC	SC	S		
11/16"	Advanced Low-E HA IG	PEL-N-246-00369-00001	3	3	3	air	0.26	0.23	0.41	66			SC	S		
11/16"	Advanced Low-E HA IG w/ GBG	PEL-N-246-00370-00001	3	3	3	air	0.26	0.21	0.37	66			SC	S		
11/16"	Advanced Low-E HA IG w/ SDL	PEL-N-246-00370-00002	3	3	3	air	0.26	0.21	0.37	66			SC	S		
11/16"	Advanced Low-E HA IG	PEL-N-246-00445-00001	5	3	4	air	0.27	0.22	0.41	65			SC	S		
11/16"	Advanced Low-E HA IG w/ GBG	PEL-N-246-00446-00001	5	3	4	air	0.27	0.21	0.37	65			SC	S		
11/16"	Advanced Low-E HA IG w/ SDL	PEL-N-246-00446-00002	5	3	4	air	0.27	0.21	0.37	65			SC	S		
11/16"	AdvancedComfort Low-E HA IG	PEL-N-246-00275-00001	2.5	2.5	2.5	air	0.21	0.22	0.41	73	N	NC	SC	S	26	CA
11/16"	AdvancedComfort Low-E HA IG w/ GBG	PEL-N-246-00276-00001	2.5	2.5	2.5	air	0.21	0.20	0.37	73	N	NC	SC	S	25	CA
11/16"	AdvancedComfort Low-E HA IG w/ SDL	PEL-N-246-00276-00002	2.5	2.5	2.5	air	0.21	0.20	0.37	73	N	NC	SC	S	25	CA
11/16"	AdvancedComfort Low-E HA IG	PEL-N-246-00277-00001	3	3	3	air	0.21	0.22	0.40	73	N	NC	SC	S	26	CA
11/16"	AdvancedComfort Low-E HA IG w/ GBG	PEL-N-246-00278-00001	3	3	3	air	0.21	0.20	0.36	73	N	NC	SC	S	25	CA
11/16"	AdvancedComfort Low-E HA IG w/ SDL	PEL-N-246-00278-00002	3	3	3	air	0.21	0.20	0.36	73	N	NC	SC	S	25	CA
11/16"	AdvancedComfort Low-E HA IG	PEL-N-246-00337-00001	5	3	4	air	0.22	0.22	0.40	72	N	NC	SC	S		
11/16"	AdvancedComfort Low-E HA IG w/ GBG	PEL-N-246-00338-00001	5	3	4	air	0.22	0.20	0.36	72	N	NC	SC	S		
11/16"	AdvancedComfort Low-E HA IG w/ SDL	PEL-N-246-00338-00002	5	3	4	air	0.22	0.20	0.36	72	N	NC	SC	S		
11/16"	SunDefense™ Low-E HA IG	PEL-N-246-00391-00001	2.5	2.5	2.5	air	0.25	0.17	0.39	67		NC	SC	S		
11/16"	SunDefense™ Low-E HA IG w/ GBG	PEL-N-246-00392-00001	2.5	2.5	2.5	air	0.25	0.16	0.35	67		NC	SC	S		
11/16"	SunDefense™ Low-E HA IG w/ SDL	PEL-N-246-00392-00002	2.5	2.5	2.5	air	0.25	0.16	0.35	67		NC	SC	S		
11/16"	SunDefense™ Low-E HA IG	PEL-N-246-00393-00001	3	3	3	air	0.26	0.17	0.38	67			SC	S		
11/16"	SunDefense™ Low-E HA IG w/ GBG	PEL-N-246-00394-00001	3	3	3	air	0.26	0.16	0.34	67			SC	S		
11/16"	SunDefense™ Low-E HA IG w/ SDL	PEL-N-246-00394-00002	3	3	3	air	0.26	0.16	0.34	67			SC	S		
11/16"	SunDefense™ Low-E HA IG	PEL-N-246-00461-00001	5	3	4	air	0.26	0.17	0.38	65			SC	S		
11/16"	SunDefense™ Low-E HA IG w/ GBG	PEL-N-246-00462-00001	5	3	4	air	0.27	0.16	0.34	65			SC	S		
11/16"	SunDefense™ Low-E HA IG w/ SDL	PEL-N-246-00462-00002	5	3	4	air	0.27	0.16	0.34	65			SC	S		
11/16"	SunDefense+ Low-E IG	PEL-N-246-00287-00001	2.5	2.5	2.5	air	0.21	0.17	0.38	74	N	NC	SC	S		
11/16"	SunDefense+ Low-E IG w/ GBG	PEL-N-246-00288-00001	2.5	2.5	2.5	air	0.21	0.15	0.34	74		NC	SC	S		
11/16"	SunDefense+ Low-E IG w/ SDL	PEL-N-246-00288-00002	2.5	2.5	2.5	air	0.21	0.15	0.34	74		NC	SC	S		
11/16"	SunDefense+ Low-E IG	PEL-N-246-00289-00001	3	3	3	air	0.21	0.17	0.37	73	N	NC	SC	S		
11/16"	SunDefense+ Low-E IG w/ GBG	PEL-N-246-00290-00001	3	3	3	air	0.21	0.15	0.34	73		NC	SC	S		
11/16"	SunDefense+ Low-E IG w/ SDL	PEL-N-246-00290-00002	3	3	3	air	0.21	0.15	0.34	73		NC	SC	S		
11/16"	SunDefense+ Low-E IG	PEL-N-246-00345-00001	5	3	4	air	0.22	0.17	0.37	72	N	NC	SC	S		
11/16"	SunDefense+ Low-E IG w/ GBG	PEL-N-246-00346-00001	5	3	4	air	0.22	0.15	0.33	72		NC	SC	S		
11/16"	SunDefense+ Low-E IG w/ SDL	PEL-N-246-00346-00002	5	3	4	air	0.22	0.15	0.33	72		NC	SC	S		
11/16"	NaturalSun Low-E HA IG	PEL-N-246-00355-00001	2.5	2.5	2.5	air	0.26	0.42	0.47	67	N					
11/16"	NaturalSun Low-E HA IG w/ GBG	PEL-N-246-00356-00001	2.5	2.5	2.5	air	0.26	0.38	0.43	67						
11/16"	NaturalSun Low-E HA IG w/ SDL	PEL-N-246-00356-00002	2.5	2.5	2.5	air	0.26	0.38	0.43	67						
11/16"	NaturalSun Low-E HA IG	PEL-N-246-00357-00001	3	3	3	air	0.26	0.41	0.47	66	N					
11/16"	NaturalSun Low-E HA IG w/ GBG	PEL-N-246-00358-00001	3	3	3	air	0.26	0.37	0.42	66						
11/16"	NaturalSun Low-E HA IG w/ SDL	PEL-N-246-00358-00002	3	3	3	air	0.26	0.37	0.42	66						
11/16"	NaturalSun Low-E HA IG	PEL-N-246-00437-00001	5	3	4	air	0.27	0.39	0.46	65						
11/16"	NaturalSun Low-E HA IG w/ GBG	PEL-N-246-00438-00001	5	3	4	air	0.27	0.36	0.42	65						
11/16"	NaturalSun Low-E HA IG w/ SDL	PEL-N-246-00438-00002	5	3	4	air	0.27	0.36	0.42	65						
11/16"	NaturalSun+ Low-E IG	PEL-N-246-00263-00001	2.5	2.5	2.5	air	0.21	0.38	0.46	73	N	NC			35	CA
11/16"	NaturalSun+ Low-E IG w/ GBG	PEL-N-246-00264-00001	2.5	2.5	2.5	air	0.21	0.34	0.42	73	N	NC			33	CA
11/16"	NaturalSun+ Low-E IG w/ SDL	PEL-N-246-00264-00002	2.5	2.5	2.5	air	0.21	0.34	0.42	73	N	NC			33	CA
11/16"	NaturalSun+ Low-E IG	PEL-N-246-00265-00001	3	3	3	air	0.21	0.37	0.46	73	N	NC			35	CA
11/16"	NaturalSun+ Low-E IG w/ GBG	PEL-N-246-00266-00001	3	3	3	air	0.21	0.34	0.41	73	N	NC			33	CA
11/16"	NaturalSun+ Low-E IG w/ SDL	PEL-N-246-00266-00002	3	3	3	air	0.21	0.34	0.41	73	N	NC			33	CA
11/16"	NaturalSun+ Low-E IG	PEL-N-246-00329-00001	5	3	4	air	0.22	0.36	0.45	71	N	NC				
11/16"	NaturalSun+ Low-E IG w/ GBG	PEL-N-246-00330-00001	5	3	4	air	0.22	0.32	0.41	71	N	NC				
11/16"	NaturalSun+ Low-E IG w/ SDL	PEL-N-246-00330-00002	5	3	4	air	0.22	0.32	0.41	71	N	NC				

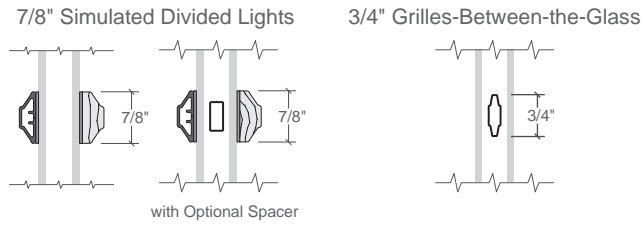
(1) Glazing performance values are calculated based on NFRC 100, NFRC 200 and NFRC 500. ENERGY STAR® values are updated to 2023 (version 7) criteria.

(2) The values shown are based on Canada's updated ENERGY STAR® 2020 initiative. Visit www.energystar.gov for Energy Star guidelines.

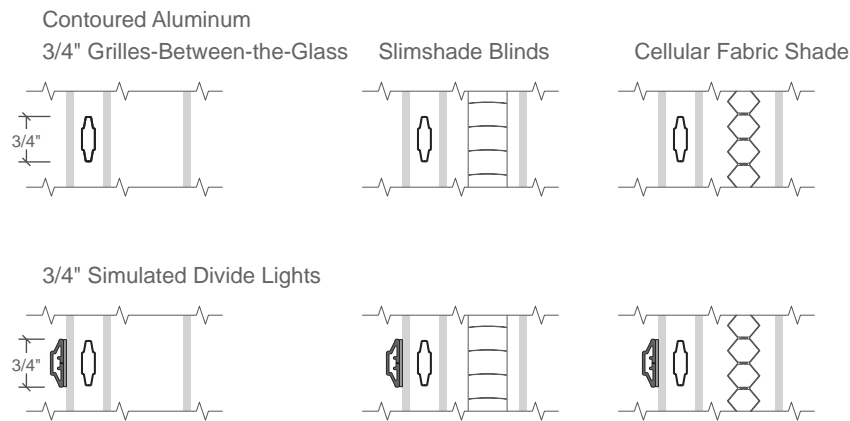
R-Value = 1/U-Factor
 SHGC = Solar Heat Gain Coefficient
 VLT % = Visible Light Transmission
 CR = Condensation Resistance
 ER = Canadian Energy Rating



Grille Profiles - Dual-Pane

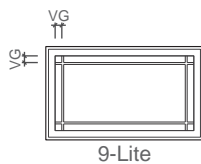


Grille Profiles - Triple-Pane

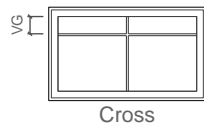
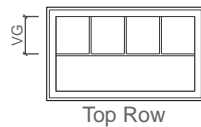


Contact your local Pella sales representative for current availability.

Grille Patterns



Standard corner lite dimension for Prairie patterns = 2-1/2" VG.



For traditional patterns, see size tables.

VG = Visible Glass
Lite dimensions noted can vary.
Custom configurations are also available, for details contact your local Pella sales representative.



Lifestyle Series Awning

Standard Size Tables - Dual-Pane

Vent and Fixed Units

	(451) (432)	(552) (533)	(603) (584)	(654) (635)	(756) (737)	(832) (813)	(908) (889)	(1 060) (1 041)	(1 213) (1 194)	(1 365) (1 346)	(1 518) (1 499)
Opening	1' 5 3/4"	1' 9 3/4"	1' 11 3/4"	2' 1 3/4"	2' 5 3/4"	2' 8 3/4"	2' 11 3/4"	3' 5 3/4"	3' 11 3/4"	4' 5 3/4"	4' 11 3/4"
Frame	1' 5"	1' 9"	1' 11"	2' 1"	2' 5"	2' 8"	2' 11"	3' 5"	3' 11"	4' 5"	4' 11"
(451) (432)											
(552) (533)											
(603) (584)											
(654) (635)											
(756) (737)											
(832) (813)											
(908) (889)											
(1 060) (1 041)											
(1 213) (1 194)											
(1 365) (1 346)											
(1 518) (1 499)											

Fixed Units

(1 670) (1 651)											
(1 822) (1 803)											
(1 873) (1 854)											

Not to scale.

ⓔ Fixed Units only

T = Tempered required due to aspect ratio

Traditional grille patterns shown. Refer to Grilles page for additional patterns and profiles.



Lifestyle Series Awning

Standard Size Tables - Triple-Pane

Vent and Fixed Units

Opening	(451)		(552)		(603)		(654)		(756)		(832)		(908)		(1 060)		(1 213)		(1 365)		(1 518)	
	(432)	(533)	(584)	(635)	(737)	(813)	(889)	(1 041)	(1 194)	(1 346)	(1 499)											
	1' 5 3/4"	1' 9 3/4"	1' 11 3/4"	2' 1 3/4"	2' 5 3/4"	2' 8 3/4"	2' 11 3/4"	3' 5 3/4"	3' 11 3/4"	4' 5 3/4"	4' 11 3/4"											
Frame	1' 5"	1' 9"	1' 11"	2' 1"	2' 5"	2' 8"	2' 11"	3' 5"	3' 11"	4' 5"	4' 11"											
1' 5"	1717	2117	2317	2517	2917	3217	3517	4117	4717	5317	5917											
1' 9"	1721	2121	2321	2521	2921	3221	3521	4121	4721	5321	5921											
1' 11"	1723	2123	2323	2523	2923	3223	3523	4123	4723	5323	5923											
2' 1"	1725	2125	2325	2525	2925	3225	3525	4125	4725	5325	5925											
2' 5"	1729	2129	2329	2529	2929	3229	3529	4129	4729	5329	5929											
2' 8"	1732	2132	2332	2532	2932	3232	3532	4132	4732	5332	5932											
2' 11"	1735	2135	2335	2535	2935	3235	3535	4135	4735	5335	5935											
3' 5"	1741	2141	2341	2541	2941	3241	3541	4141	4741	5341	5941											
3' 11"	1747	2147	2347	2547	2947	3247	3547	4147	4747	5347	5947											
4' 5"	1753	2153	2353	2553	2953	3253	3553	4153	4753	5353	5953											
4' 11"	1759	2159	2359	2559	2959	3259	3559	4159	4759	5359	5959											

Fixed Units

5' 5 3/4"	1765	2165	2365	2565	2965	3265	3565	4165	4765	5365	5965
5' 11 3/4"	1771	2171	2371	2571	2971	3271	3571	4171	4771	5371	5971
6' 1 3/4"	1773	2173	2373	2573	2973	3273	3573	4173	4773	5373	5973

Not to scale.

Ⓢ Fixed Units only

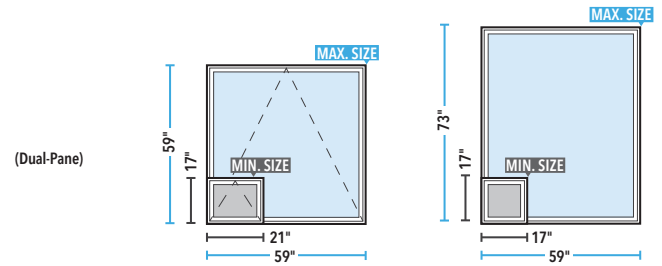
T = Tempered required due to aspect ratio

Traditional grille patterns shown. Refer to Grilles page for additional patterns and profiles.



Awning Special Size Frame Dimensions*

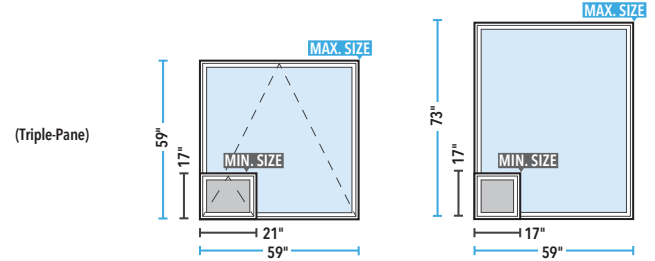
	Minimum	Maximum
Vent Dual-Pane	1' 9" W x 1' 5" H (21" x 17") (533 x 432)	4' 11" W x 4' 11" H (59" x 59") (1 499 x 1 499)
Vent Triple-Pane	1' 9" W x 1' 5" H (21" x 17") (533 x 432)	4' 11" W x 4' 11" H (59" x 59") (1 499 x 1 499)
Fixed Dual-Pane Triple-Pane	1' 5" W x 1' 5" H (17" x 17") (432 x 432)	4' 11" W x 6' 1" H (59" x 73") (1 499 x 1 854)



(Dual-Pane)

Awning Glass Formulas

	Formulas
Visible Glass Dual-Pane	Width = Frame – 4.92" Height = Frame – 4.92"
Visible Glass Triple-Pane	Width = Frame – 5.938" Height = Frame – 5.938"
Actual Glass ₁ Dual-Pane	Width = Frame – 4" Height = Frame – 4"
Actual Glass ₁ Triple-Pane	Width = Frame – 5" Height = Frame – 5"



(Triple-Pane)

Triple-Pane Integrated Window Fashions - Operator Handing Guide

Unit Type	Location from Exterior		Interior Hinged Glass Panel Style
	Window Crank	Shade Operator	
Large Awning Vent	Bottom	Left	Bottom Hinge
Fixed	—	Left	Bottom Hinge
Large Fixed	—	Left	Bottom Hinge



* Available within size range shown.

Keep frame dimensions to the nearest 1/4" increment. Frame height cannot exceed frame width on special size dual-pane vent units.

(1) Actual glass of exterior light. Interior Moveable Light is 9/16" smaller.

To convert areas to square meters (m²), multiply square feet by 0.0929.



Lifestyle Series Awning

Design Data

Dual-Pane Vent					
Unit	Vent Area Ft ²	Visible Glass Ft ²	Standard Glass Thickness (mm)		Performance Class & Grade ¹
			Annealed	Tempered	
Vent					
2117	0.1	1.3	2.5	3	LC30
2121	0.1	1.8	2.5	3	LC30
2123	0.1	2.0	2.5	3	LC30
2125	0.1	2.2	2.5	3	LC30
2129	0.2	2.7	2.5	3	LC30
2132	0.2	3.0	2.5	3	LC30
2135	0.2	3.4	2.5	3	LC30
2141	0.2	4.0	2.5	3	LC30
2147	0.2	4.7	2.5	3	LC30
2153	0.2	5.4	2.5	3	LC30
2159	0.3	6.0	2.5	3	LC30
2317	0.1	1.5	2.5	3	LC30
2321	0.1	2.0	2.5	3	LC30
2323	0.1	2.3	2.5	3	LC30
2325	0.1	2.5	2.5	3	LC30
2329	0.2	3.0	2.5	3	LC30
2332	0.2	3.4	2.5	3	LC30
2335	0.2	3.8	2.5	3	LC30
2341	0.2	4.5	2.5	3	LC30
2347	0.2	5.3	2.5	3	LC30
2353	0.2	6.0	2.5	3	LC30
2359	0.3	6.8	2.5	3	LC30
2517	0.1	1.7	2.5	3	LC30
2521	0.1	2.2	2.5	3	LC30
2523	0.1	2.5	2.5	3	LC30
2525	1.4	2.8	2.5	3	LC30
2529	1.5	3.4	2.5	3	LC30
2532	1.6	3.8	2.5	3	LC30
2535	1.7	4.2	2.5	3	LC30
2541	1.9	5.0	2.5	3	LC30
2547	2.1	5.9	2.5	3	LC30
2553	2.3	6.7	2.5	3	LC30
2559	2.5	7.5	2.5	3	LC30
2917	0.1	2.0	2.5	3	LC30
2921	0.2	2.7	2.5	3	LC30
2923	0.2	3.0	2.5	3	LC30
2925	1.5	3.4	2.5	3	LC30
2929	1.7	4.0	2.5	3	LC30
2932	1.8	4.5	2.5	3	LC30
2935	1.8	5.0	2.5	3	LC30
2941	2.0	6.0	2.5	3	LC30
2947	2.2	7.0	2.5	3	LC30
2953	2.4	8.0	2.5	3	LC30
2959	2.6	9.0	2.5	3	LC30

Dual-Pane Vent					
Unit	Vent Area Ft ²	Visible Glass Ft ²	Standard Glass Thickness (mm)		Performance Class & Grade ¹
			Annealed	Tempered	
Vent					
3217	0.2	2.3	2.5	3	LC30
3221	0.2	3.0	2.5	3	LC30
3223	0.2	3.4	2.5	3	LC30
3225	1.6	3.8	2.5	3	LC30
3229	1.8	4.5	2.5	3	LC30
3232	1.8	5.1	2.5	3	LC30
3235	1.9	5.7	2.5	3	LC30
3241	2.1	6.8	2.5	3	LC30
3247	2.3	7.9	2.5	3	LC30
3253	2.5	9.0	2.5	3	LC30
3259	2.7	10.2	2.5	3	LC30
3517	0.2	2.5	2.5	3	LC30
3521	0.2	3.4	2.5	3	LC30
3523	0.2	3.8	2.5	3	LC30
3525	1.7	4.2	2.5	3	LC30
3529	1.8	5.0	2.5	3	LC30
3532	1.9	5.7	2.5	3	LC30
3535	2.0	6.3	2.5	3	LC30
3541	2.2	7.5	2.5	3	LC30
3547	2.4	8.8	2.5	3	LC30
3553	2.6	10.0	2.5	3	LC30
3559	2.8	11.3	3	3	LC30
4117	0.2	3.0	2.5	3	LC30
4121	0.2	4.0	2.5	3	LC30
4123	0.2	4.5	2.5	3	LC30
4125	1.9	5.0	2.5	3	LC30
4129	2.0	6.0	2.5	3	LC30
4132	2.1	6.8	2.5	3	LC30
4135	2.2	7.5	2.5	3	LC30
4141	2.4	9.0	2.5	3	LC30
4147	2.6	10.5	3	3	LC30
4153	2.8	12.0	3	3	LC30
4159	3.0	13.6	3	3	LC30
4717	0.2	3.5	2.5	3	LC30
4721	0.2	4.7	2.5	3	LC30
4723	0.2	5.3	2.5	3	LC30
4725	2.1	5.9	2.5	3	LC30
4729	2.2	7.0	2.5	3	LC30
4732	2.3	7.9	2.5	3	LC30
4735	2.4	8.8	2.5	3	LC30
4741	2.6	10.5	3	3	LC30
4747	2.8	12.3	3	3	LC30
4753	3.0	14.1	3	3	LC30
4759	3.2	15.8	3	3	LC30

Continued on next page

(-) = Not Applicable

(1) Maximum performance when glazed with the appropriate glass thickness.

To convert areas to square meters (m²), multiply square feet by 0.0929.



Lifestyle Series Awning

Design Data

Dual-Pane Vent					
Unit	Vent Area Ft ²	Visible Glass Ft ²	Standard Glass Thickness (mm)		Performance Class & Grade ¹
			Annealed	Tempered	Vent
5317	0.2	4.0	2.5	3	LC30
5321	0.2	5.4	2.5	3	LC30
5323	0.2	6.0	2.5	3	LC30
5325	2.3	6.7	2.5	3	LC30
5329	2.4	8.0	2.5	3	LC30
5332	2.5	9.0	2.5	3	LC30
5335	2.6	10.0	2.5	3	LC30
5341	2.8	12.0	3	3	LC30
5347	3.0	14.1	3	3	LC30
5353	3.2	16.1	3	4	LC30
5359	3.3	18.1	4	4	LC30
5917	0.2	4.5	2.5	3	LC30
5921	0.3	6.0	2.5	3	LC30
5923	0.3	6.8	2.5	3	LC30
5925	2.5	7.5	2.5	3	LC30
5929	2.6	9.0	2.5	3	LC30
5932	2.7	10.2	2.5	3	LC30
5935	2.8	11.3	3	3	LC30
5941	3.0	13.6	3	3	LC30
5947	3.2	15.8	3	3	LC30
5953	3.3	18.1	4	4	LC30
5959	3.5	20.3	4	4	LC30

(1) Maximum performance when glazed with the appropriate glass thickness.
 To convert areas to square meters (m²), multiply square feet by 0.0929.



Design Data

Triple-Pane Vent					
Unit	Vent Area Ft ²	Visible Glass Ft ²	Standard Glass Thickness (mm)		Performance Class & Grade ⁽¹⁾
			Annealed	Tempered	
2117	0.1	1.2	2.5	3	CW50
2121	0.1	1.6	2.5	3	CW50
2123	0.1	1.8	2.5	3	CW50
2125	0.1	2.0	2.5	3	CW50
2129	0.2	2.4	2.5	3	CW50
2132	0.2	2.7	2.5	3	CW50
2135	0.2	3.0	2.5	3	CW50
2141	0.2	3.7	2.5	3	CW45/CW50
2147	0.2	4.3	2.5	3	CW35/CW50
2153	0.2	4.9	2.5	3	CW35/CW50
2159	0.3	5.6	2.5	3	CW30/CW50
2317	0.1	1.3	2.5	3	CW50
2321	0.1	1.8	2.5	3	CW50
2323	0.1	2.0	2.5	3	CW50
2325	0.1	2.3	2.5	3	CW50
2329	0.2	2.7	2.5	3	CW50
2332	0.2	3.1	2.5	3	CW50
2335	0.2	3.4	2.5	3	CW50
2341	0.2	4.2	2.5	3	CW45/CW50
2347	0.2	4.9	2.5	3	CW35/CW50
2353	0.2	5.6	2.5	3	CW30/CW50
2359	0.3	6.3	2.5	3	LC25/CW50
2517	0.1	1.5	2.5	3	CW50
2521	0.1	2.0	2.5	3	CW50
2523	0.1	2.3	2.5	3	CW50
2525	1.4	2.5	2.5	3	CW50
2529	1.5	3.1	2.5	3	CW50
2532	1.6	3.4	2.5	3	CW50
2535	1.7	3.8	2.5	3	CW50
2541	1.9	4.6	2.5	3	CW45/CW50
2547	2.1	5.4	2.5	3	CW35/CW50
2553	2.3	6.2	2.5	3	CW30/CW50
2559	2.5	7.0	2.5	3	LC25/CW50
2917	0.1	1.8	2.5	3	CW50
2921	0.2	2.4	2.5	3	CW50
2923	0.2	2.7	2.5	3	CW50
2925	1.5	3.1	2.5	3	CW50
2929	1.7	3.7	2.5	3	CW50
2932	1.8	4.2	2.5	3	CW50
2935	1.8	4.7	2.5	3	CW50
2941	2.0	5.6	2.5	3	CW45/CW50
2947	2.2	6.6	2.5	3	CW35/CW50
2953	2.4	7.5	2.5	3	CW30/CW50
2959	2.6	8.5	2.5	3	LC25/CW50

Triple-Pane Vent					
Unit	Vent Area Ft ²	Visible Glass Ft ²	Standard Glass Thickness (mm)		Performance Class & Grade ⁽¹⁾
			Annealed	Tempered	
3217	0.2	2.0	2.5	3	CW50
3221	0.2	2.7	2.5	3	CW50
3223	0.2	3.1	2.5	3	CW50
3225	1.6	3.4	2.5	3	CW50
3229	1.8	4.2	2.5	3	CW50
3232	1.8	4.7	2.5	3	CW50
3235	1.9	5.3	2.5	3	CW45/CW50
3241	2.1	6.3	2.5	3	CW40/CW50
3247	2.3	7.4	2.5	3	CW35/CW50
3253	2.5	8.5	2.5	3	CW30/CW50
3259	2.7	9.6	2.5	3	LC25/CW50
3517	0.2	2.2	2.5	3	CW50
3521	0.2	3.0	2.5	3	CW50
3523	0.2	3.4	2.5	3	CW50
3525	1.7	3.8	2.5	3	CW50
3529	1.8	4.7	2.5	3	CW50
3532	1.9	5.3	2.5	3	CW45/CW50
3535	2.0	5.9	2.5	3	CW40/CW50
3541	2.2	7.1	2.5	3	CW35/CW50
3547	2.4	8.3	2.5	3	CW30/CW50
3553	2.6	9.5	2.5	3	LC25/CW50
3559	2.8	10.7	3	3	CW35/CW50
4117	0.2	2.7	2.5	3	CW50
4121	0.2	3.7	2.5	3	CW45/CW50
4123	0.2	4.2	2.5	3	CW45/CW50
4125	1.9	4.6	2.5	3	CW45/CW50
4129	2.0	5.6	2.5	3	CW45/CW50
4132	2.1	6.3	2.5	3	CW40/CW50
4135	2.2	7.1	2.5	3	CW35/CW50
4141	2.4	8.5	2.5	3	CW30/CW50
4147	2.6	10.0	2.5	3	LC25/CW50
4153	2.8	11.5	3	3	CW35/CW50
4159	3.0	12.9	3	3	CW30/CW50
4717	0.2	3.2	2.5	3	CW50
4721	0.2	4.3	2.5	3	CW35/CW50
4723	0.2	4.9	2.5	3	CW35/CW50
4725	2.1	5.4	2.5	3	CW35/CW50
4729	2.2	6.6	2.5	3	CW35/CW50
4732	2.3	7.4	2.5	3	CW35/CW50
4735	2.4	8.3	2.5	3	CW30/CW50
4741	2.6	10.0	2.5	3	LC25/CW50
4747	2.8	11.7	3	3	CW35/CW50
4753	3.0	13.4	3	3	CW30/CW50
4759	3.2	15.1	3	3	LC25/CW50

Continued on next page

(1) Maximum performance when glazed with the appropriate glass thickness. Second value, where shown, requires tempered glass. To convert areas to square meters (m²), multiply square feet by 0.0929.



Lifestyle Series Awning

Design Data

Triple-Pane Vent					
Unit	Vent Area Ft ²	Visible Glass Ft ²	Standard Glass Thickness (mm)		Performance Class & Grade ⁽¹⁾
			Annealed	Tempered	
5317	0.2	3.6	2.5	3	CW50
5321	0.2	4.9	2.5	3	CW35/CW50
5323	0.2	5.6	2.5	3	CW30/CW50
5325	2.3	6.2	2.5	3	CW30/CW50
5329	2.4	7.5	2.5	3	CW30/CW50
5332	2.5	8.5	2.5	3	CW30/CW50
5335	2.6	9.5	2.5	3	LC25/CW50
5341	2.8	11.5	3	3	CW35/CW50
5347	3.0	13.4	3	3	CW30/CW50
5353	3.2	15.4	3	3	LC25/CW50
5359	3.3	17.3	3	3	LC25/CW50
5917	0.2	4.1	2.5	3	CW50
5921	0.3	5.6	2.5	3	CW30/CW50
5923	0.3	6.3	2.5	3	LC25/CW50
5925	2.5	7.0	2.5	3	LC25/CW50
5929	2.6	8.5	2.5	3	LC25/CW50
5932	2.7	9.6	2.5	3	LC25/CW50
5935	2.8	10.7	3	3	CW35/CW50
5941	3.0	12.9	3	3	CW30/CW50
5947	3.2	15.1	3	3	LC25/CW50
5953	3.3	17.3	3	3	LC25/CW50
5959	3.5	19.6	4	4	CW30/CW50

(1) Maximum performance when glazed with the appropriate glass thickness. Second value, where shown, requires tempered glass.
 To convert areas to square meters (m²), multiply square feet by 0.0929.



Lifestyle Series Awning

Design Data

Triple-Pane Fixed					
Unit	Visible Glass Ft ²	Standard Glass Thickness (mm)		Performance Class & Grade ¹	
		Annealed	Tempered	Annealed	Tempered
1717	0.8	2.5	3	CW50	CW50
1721	1.2	2.5	3	CW50	CW50
1723	1.3	2.5	3	CW50	CW50
1725	1.5	2.5	3	CW50	CW50
1729	1.8	2.5	3	CW50	CW50
1732	2.0	2.5	3	CW50	CW50
1735	2.2	2.5	3	CW50	CW50
1741	2.7	2.5	3	CW50	CW50
1747	3.2	2.5	3	CW50	CW50
1753	3.6	2.5	3	CW50	CW50
1759	4.1	2.5	3	CW50	CW50
1765T	4.5	—	3	—	CW50
1771T	5.0	—	3	—	CW50
1773T	5.2	—	3	—	CW50
2117	1.2	2.5	3	CW50	CW50
2121	1.6	2.5	3	CW50	CW50
2123	1.8	2.5	3	CW50	CW50
2125	2.0	2.5	3	CW50	CW50
2129	2.4	2.5	3	CW50	CW50
2132	2.7	2.5	3	CW50	CW50
2135	3.0	2.5	3	CW50	CW50
2141	3.7	2.5	3	CW45	CW50
2147	4.3	2.5	3	CW35	CW50
2153	4.9	2.5	3	CW35	CW50
2159	5.6	2.5	3	CW30	CW50
2165	6.2	2.5	3	LC25	CW50
2171	6.8	2.5	3	LC25	CW50
2173	7.0	2.5	3	LC25	CW50
2317	1.3	2.5	3	CW50	CW50
2321	1.8	2.5	3	CW50	CW50
2323	2.0	2.5	3	CW50	CW50
2325	2.3	2.5	3	CW50	CW50
2329	2.7	2.5	3	CW50	CW50
2332	3.1	2.5	3	CW50	CW50
2335	3.4	2.5	3	CW50	CW50
2341	4.2	2.5	3	CW45	CW50
2347	4.9	2.5	3	CW35	CW50
2353	5.6	2.5	3	CW30	CW50
2359	6.3	2.5	3	LC25	CW50
2365	7.0	2.5	3	R20	CW50
2371	7.7	2.5	3	R20	CW50
2373	7.9	2.5	3	R20	CW50

Triple-Pane Fixed					
Unit	Visible Glass Ft ²	Standard Glass Thickness (mm)		Performance Class & Grade ¹	
		Annealed	Tempered	Annealed	Tempered
2517	1.5	2.5	3	CW50	CW50
2521	2.0	2.5	3	CW50	CW50
2523	2.3	2.5	3	CW50	CW50
2525	2.5	2.5	3	CW50	CW50
2529	3.1	2.5	3	CW50	CW50
2532	3.4	2.5	3	CW50	CW50
2535	3.8	2.5	3	CW50	CW50
2541	4.6	2.5	3	CW45	CW50
2547	5.4	2.5	3	CW35	CW50
2553	6.2	2.5	3	CW30	CW50
2559	7.0	2.5	3	LC25	CW50
2565	7.8	2.5	3	R20	CW50
2571	8.6	2.5	3	R20	CW50
2573	8.9	2.5	3	R20	CW50
2917	1.8	2.5	3	CW50	CW50
2921	2.4	2.5	3	CW50	CW50
2923	2.7	2.5	3	CW50	CW50
2925	3.1	2.5	3	CW50	CW50
2929	3.7	2.5	3	CW50	CW50
2932	4.2	2.5	3	CW50	CW50
2935	4.7	2.5	3	CW50	CW50
2941	5.6	2.5	3	CW45	CW50
2947	6.6	2.5	3	CW35	CW50
2953	7.5	2.5	3	CW30	CW50
2959	8.5	2.5	3	LC25	CW50
2965	9.5	2.5	3	LC25	CW50
2971	10.4	3	3	LC25	CW50
2973	10.7	3	3	LC25	CW50
3217	2.0	2.5	3	CW50	CW50
3221	2.7	2.5	3	CW50	CW50
3223	3.1	2.5	3	CW50	CW50
3225	3.4	2.5	3	CW50	CW50
3229	4.2	2.5	3	CW50	CW50
3232	4.7	2.5	3	CW50	CW50
3235	5.3	2.5	3	CW45	CW50
3241	6.3	2.5	3	CW40	CW50
3247	7.4	2.5	3	CW35	CW50
3253	8.5	2.5	3	CW30	CW50
3259	9.6	2.5	3	LC25	CW50
3265	10.7	3.0	3	LC25	CW50
3271	11.8	3	3	LC25	CW50
3273	12.1	3	3	LC25	CW50

Continued on next page

(—) = Not Applicable

T = Tempered required due to aspect ratio

(1) Maximum performance when glazed with the appropriate glass thickness.

To convert areas to square meters (m²), multiply square feet by 0.0929.



Lifestyle Series Awning

Design Data

Triple-Pane Fixed					
Unit	Visible Glass Ft ²	Standard Glass Thickness (mm)		Performance Class & Grade ¹	
		Annealed	Tempered	Annealed	Tempered
3517	2.2	2.5	3	CW50	CW50
3521	3.0	2.5	3	CW50	CW50
3523	3.4	2.5	3	CW50	CW50
3525	3.8	2.5	3	CW50	CW50
3529	4.7	2.5	3	CW50	CW50
3532	5.3	2.5	3	CW45	CW50
3535	5.9	2.5	3	CW40	CW50
3541	7.1	2.5	3	CW35	CW50
3547	8.3	2.5	3	CW30	CW50
3553	9.5	2.5	3	LC25	CW50
3559	10.7	3	3	CW35	CW50
3565	11.9	3	3	LC25	CW50
3571	13.1	3	3	LC25	CW50
3573	13.5	3	3	LC25	CW50
4117	2.7	2.5	3	CW50	CW50
4121	3.7	2.5	3	CW45	CW50
4123	4.2	2.5	3	CW45	CW50
4125	4.6	2.5	3	CW45	CW50
4129	5.6	2.5	3	CW45	CW50
4132	6.3	2.5	3	CW40	CW50
4135	7.1	2.5	3	CW35	CW50
4141	8.5	2.5	3	CW30	CW50
4147	10.0	2.5	3	LC25	CW50
4153	11.5	3	3	CW35	CW50
4159	12.9	3	3	CW30	CW50
4165	14.4	3	3	LC25	CW50
4171	15.8	3	3	LC25	CW50
4173	16.3	3	3	LC25	CW50
4717	3.2	2.5	3	CW50	CW50
4721	4.3	2.5	3	CW35	CW50
4723	4.9	2.5	3	CW35	CW50
4725	5.4	2.5	3	CW35	CW50
4729	6.6	2.5	3	CW35	CW50
4732	7.4	2.5	3	CW35	CW50
4735	8.3	2.5	3	CW30	CW50
4741	10.0	2.5	3	LC25	CW50
4747	11.7	3	3	CW35	CW50
4753	13.4	3	3	CW30	CW50
4759	15.1	3	3	LC25	CW50
4765	16.8	3	3	CW30	CW50
4771	18.6	4	4	CW30	CW50
4773	19.1	4	4	CW30	CW50

Triple-Pane Fixed					
Unit	Visible Glass Ft ²	Standard Glass Thickness (mm)		Performance Class & Grade ¹	
		Annealed	Tempered	Annealed	Tempered
5317	3.6	2.5	3	CW50	CW50
5321	4.9	2.5	3	CW35	CW50
5323	5.6	2.5	3	CW30	CW50
5325	6.2	2.5	3	CW30	CW50
5329	7.5	2.5	3	CW30	CW50
5332	8.5	2.5	3	CW30	CW50
5335	9.5	2.5	3	LC25	CW50
5341	11.5	3	3	CW35	CW50
5347	13.4	3	3	CW30	CW50
5353	15.4	3	3	LC25	CW50
5359	17.3	3	3	LC25	CW50
5365	19.3	3	3	LC25	CW50
5371	21.3	4	4	CW30	CW50
5373	21.9	4	4	CW30	CW50
5917	4.1	2.5	3	CW50	CW50
5921	5.6	2.5	3	CW30	CW50
5923	6.3	2.5	3	LC25	CW50
5925	7.0	2.5	3	LC25	CW50
5929	8.5	2.5	3	LC25	CW50
5932	9.6	2.5	3	LC25	CW50
5935	10.7	3	3	CW35	CW50
5941	12.9	3	3	CW30	CW50
5947	15.1	3	3	LC25	CW50
5953	17.3	3	3	LC25	CW50
5959	19.6	4	4	CW30	CW50
5965	21.8	4	4	LC25	CW50
5971	24.0	4	4	LC25	CW50
5973	24.7	4	4	LC25	CW50

T = Tempered Glass Required

(1) Maximum performance when glazed with the appropriate glass thickness.

To convert areas to square meters (m²), multiply square feet by 0.0929.



Frame

- Select softwood, immersion treated with Pella's EnduraGuard® wood protection formula in accordance with WDMA I.S.-4. The EnduraGuard formula includes three active ingredients for protection against the effects of moisture, decay, stains from mold and mildew. Plus, an additional ingredient adds protection against termite damage.
- Interior exposed surfaces are clear pine.
- Exterior surfaces are clad with aluminum.
- Components are assembled with screws, staples and concealed corner locks.
- Overall frame depth is 5" (127 mm) for a wall depth of 3-11/16" (94 mm).
- Optional factory-applied jamb extensions available between 3-13/16" (97) and 9-3/16" (233).
- Optional factory-installed fold-out installation fins with flexible fin corners.
- Optional factory-applied EnduraClad® exterior trim.
- Optional factory-installed Pella Steady Set Installation System.

Sash

- Select softwood, immersion treated with Pella's EnduraGuard® wood protection formula in accordance with WDMA I.S.-4. The EnduraGuard formula includes three active ingredients for protection against the effects of moisture, decay, stains from mold and mildew. Plus, an additional ingredient adds protection against termite damage.
- Interior exposed surfaces are clear pine.
- Exterior surfaces are clad with aluminum, lap-jointed and sealed.
- Corners mortised and tenoned, glued and secured with metal fasteners.
- Sash thickness is [1-3/4" (45 mm) dual-pane] [2-3/16" (55mm) triple-pane, (2-1/4" (57 mm) including hinged glass panel)].

Weatherstripping

- Dual weatherstripping.
 - Flexible santoprene material compressed between frame and sash for positive seal on all four sides.
 - Secondary thermoplastic vulcanizate (TPV) weatherstrip between edge of sash and frame [Dual-Pane: leaf-type on the vertical sides and bottom side, and Santoprene® bulb-type weatherstrip on the top side] [Triple-Pane: leaf-type on all four sides].

Glazing System₁

- Quality float glass complying with ASTM C 1036.
- High altitude glazing available.
- Silicone-glazed 11/16" [obscure] [clear] dual-seal insulating glass [[annealed] [tempered]] [[Advanced] [SunDefense™] [SunDefense+] [AdvancedComfort] [NaturalSun] [NaturalSun+] Low-E with argon]].
 - or-
 - Triple-Pane Glazing System:
 - Exterior silicone-glazed 11/16" [obscure] [clear] dual-seal insulating glass, [[annealed] [tempered]] [[Advanced] [SunDefense™] [SunDefense+] [AdvancedComfort] [NaturalSun] [NaturalSun+] Low-E with argon]].
 - Interior hinged glass panel set in a [veneered fiberglass composite] [aluminum (advanced comfort)] frame finished to match interior (aluminum frames are veneered for stain finishes), fitted to sash with continuous gasket seal, clear [annealed] [tempered] glass.
 - Airspace between insulating glass and hinge glass panel is 1-1/32".

Exterior

- Exterior aluminum surfaces are finished with EnduraClad® protective finish, in a multi-step, baked-on finish.
- Finish color [Standard [Black] [White] [Brown] [Fossil]] [Feature [Iron Ore] Wolf gray] [Classic White] [Almond] [Portobello] [Putty] [Brick Red] [Hartford Green]].

Interior

- [Unfinished, ready for site finishing] [factory primed with one coat acrylic latex] [factory prefinished [White] [Linen White] [Bright White] [stain₁]].

Hardware

- Roto operator assembly
 - Steel worm gear sash operator with hardened gears.
 - Operator base to be zinc die cast with painted finish.
 - Operator linkage, hinge slide, and hinge arms are stainless steel.
 - Exposed fasteners are stainless steel.
 - Hardware will exceed 1,000 hours salt spray exposure per ASTM B 117.
- Vent units are available with operator located on the sill.
- Innovative Locking System – A single handle locking system which operates positive-acting arms that reach out and pull the sash into a locked position: one operating lock installed on units with lock-side frame dimension ≤ 41" , two unison operating locks are installed on units with lock-side frame dimension > 41".
- Vent units lock handles are located one on each jamb.
- Standard Integrated fold-away crank and lock handle finish is [baked enamel [Champagne] [White] [Brown] [Matte Black]] [Satin Brass] [Satin Nickel].

Optional Products

Grilles

- Simulated-Divided-Light [with optional spacer] (Dual-pane glazing)
 - 7/8" Grilles permanently bonded to the interior and exterior of glass.
 - Patterns are [Traditional] [Prairie] [Cross] [Top Row] [Custom – Equally Divided].
 - Interior surfaces are [unfinished, ready for site finishing] [factory primed] [pine: factory prefinished [White] [Linen White] [Bright White] [stain₁]].
 - Exterior color to match the exterior cladding color.
- Simulated-Divided-Light with Grilles-Between-the-Glass (Triple-pane glazing)
 - 3/4" Grilles permanently bonded to the exterior of glass.
 - Patterns are [Traditional] [Prairie] [Cross] [Top Row] [Custom – Equally Divided].
 - Exterior color to match the exterior cladding color.
 - Insulating glass contains 3/4" contoured aluminum grilles permanently installed between two panes of glass.
 - Interior color is [White] [Ivory] [Tan₃] [Brickstone₃] [Black] [Putty₃] [Brown] [Fossil] [Harvest] [Cordovan].

– or –

Grilles-Between-the-Glass₂

- Insulating glass contains 3/4" contoured aluminum grilles permanently installed between two panes of glass.
- Patterns are [Traditional] [9-Lite Prairie] [Top Row] [Cross] [Custom – Equally Divided].
- Interior color is [White] [Ivory] [Tan₃] [Brickstone₃] [Black] [Putty₃] [Brown] [Harvest] [Cordovan].
- Exterior color [matched to the exterior cladding color] [Black] [White]₄.

Flat Insect Screen

- InView™ Screens
 - Vinyl-coated 18/18 mesh fiberglass screen cloth complying with the performance requirements of SMA 1201, set in aluminum frame fitted to inside of window, supplied complete with all necessary hardware.
 - Screen frame finish is baked enamel, [Champagne] [White] [Brown] [Black].

Integrated Between-the-Glass Window Fashions (Triple-Pane glazing only),

- Slimshade® Blinds
 - 15 mm aluminum slat, bottom-up blinds with polyester cord ladder
 - Installed in sash between double glazing and interior hinged glass panel.
 - Operated with cordless operator or motorized with Insynctive® technology.

– or –

Cellular Fabric Shades

- 11/16" width, bottom-up shades with hidden polyester cord, spun bond Polyethylene Terephthalate (PET) cellular fabric.
- Installed in sash between double glazing and interior hinged glass panel.
- Operated with cordless operator or motorized with Insynctive® technology.

Hardware

- Optional factory applied limited opening hardware available for vent units in stainless steel; nominal 3" opening.

Sensors

- Optional factory installed integrated security sensors available in vent units.

(1) Contact your local Pella sales representative for current designs and color options.

(2) Available on units glazed with Low-E insulated glass with argon, and obscure insulated glass.

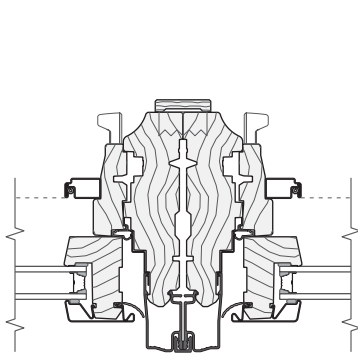
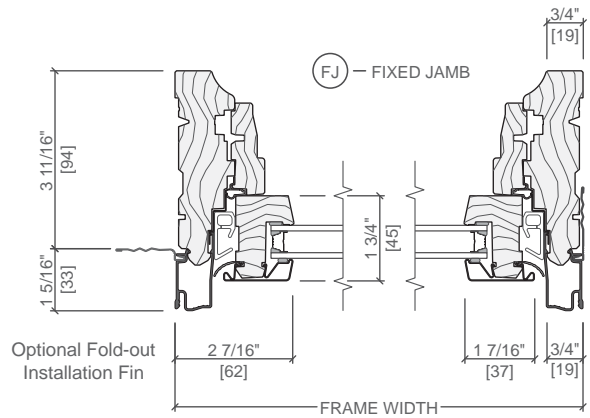
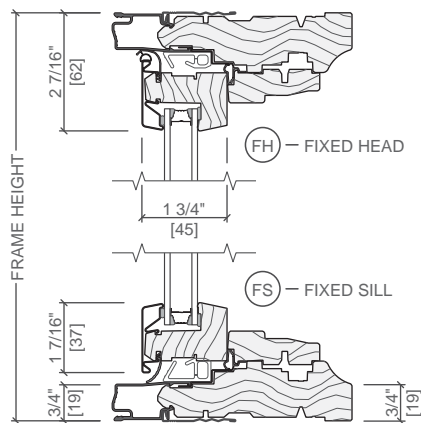
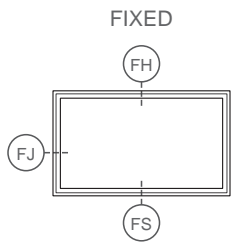
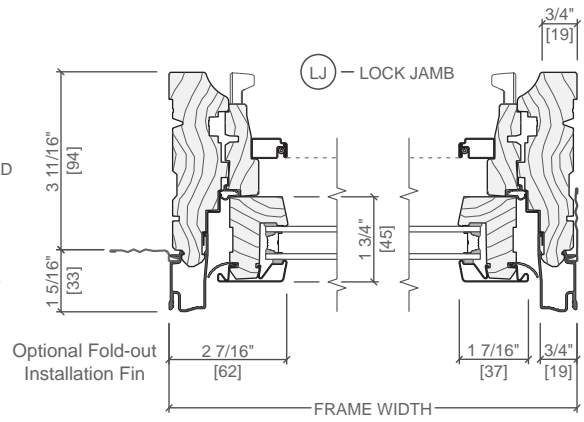
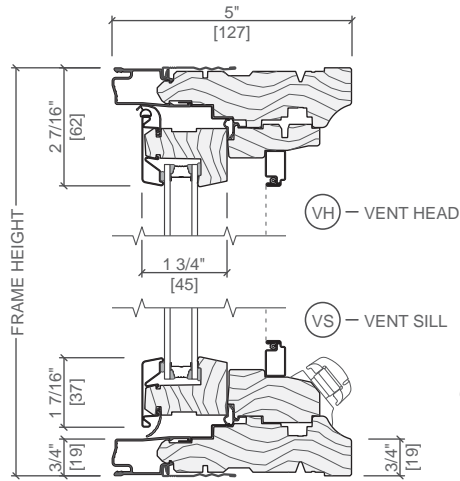
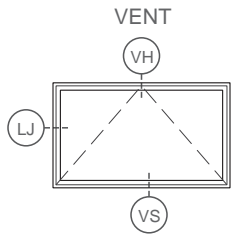
(3) Tan, brickstone and putty Interior GBG colors are available only with matching interior and exterior colors.

(4) Appearance of exterior grille color will vary depending on Low-E coating on glass.

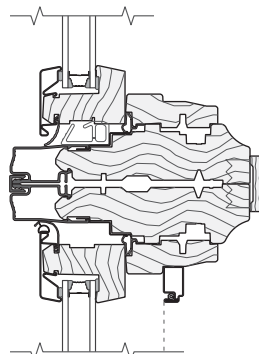


Lifestyle Series Awning

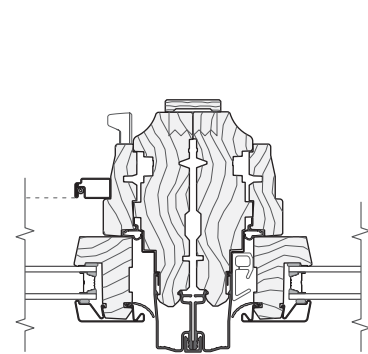
Unit Sections - Dual-Pane



VERTICAL JOINING MULLION
VENT / VENT



HORIZONTAL JOINING MULLION
FIXED / VENT



VERTICAL JOINING MULLION
VENT / FIXED

Scale 3" = 1' 0"

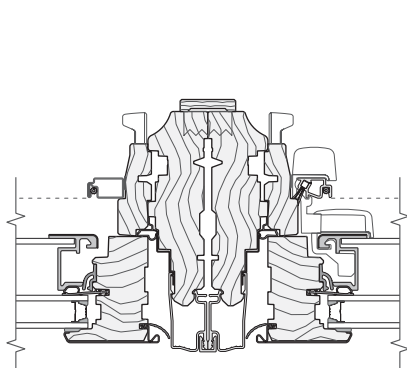
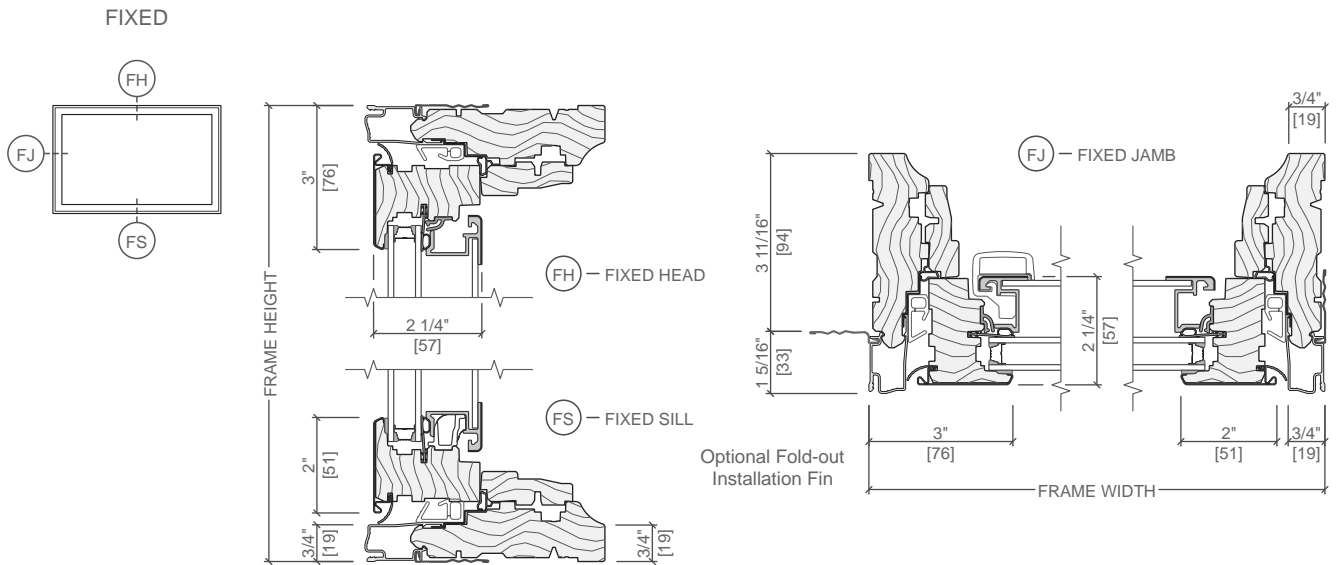
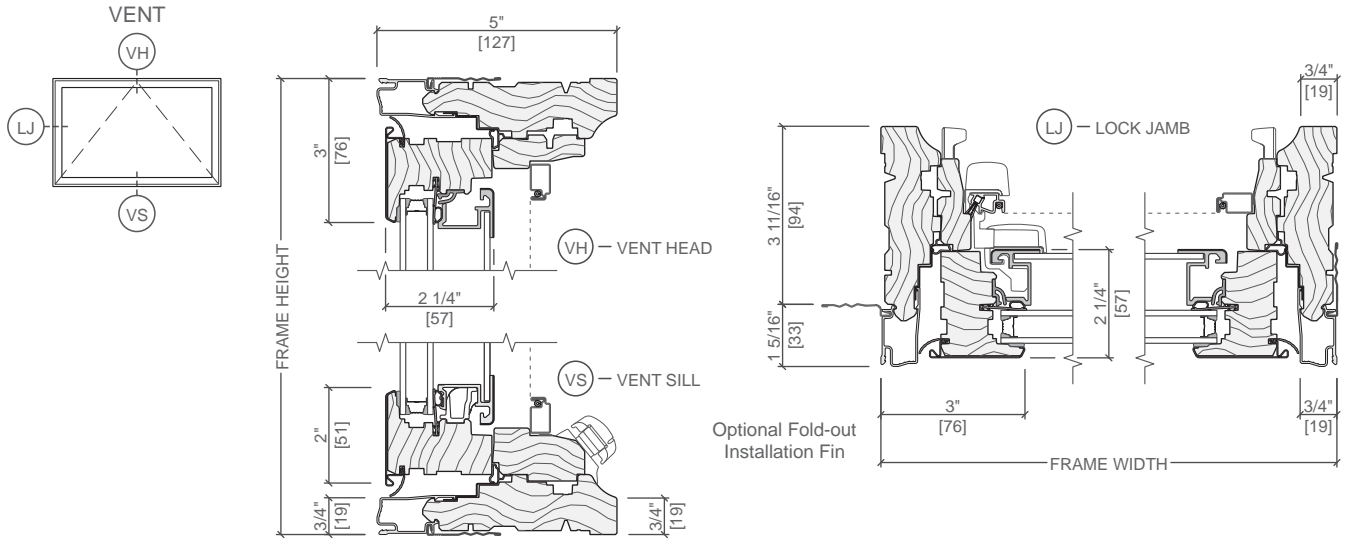
All dimensions are approximate.

See www.Pella.com for mullion limitations and reinforcing requirements.

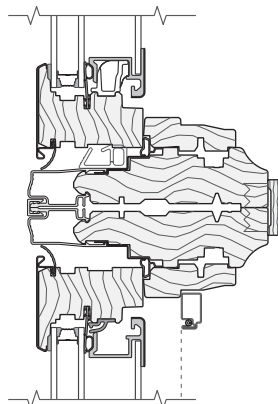


Lifestyle Series Awning

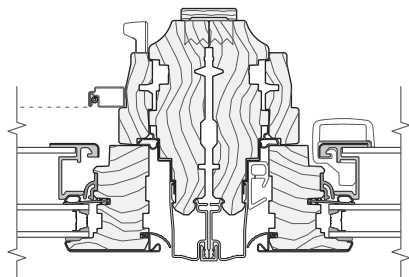
Unit Sections - Triple-Pane



VERTICAL JOINING MULLION
VENT / VENT



HORIZONTAL JOINING MULLION
TRANSOM / VENT



VERTICAL JOINING MULLION
VENT / FIXED

Scale 3" = 1' 0"

All dimensions are approximate.

See www.Pella.com for mullion limitations and reinforcing requirements.

rev. 08/23/23