



Product Selection Guide

Size and Performance Data.....	IS-IR-2
Sound Transmission Class and Outdoor-Indoor Transmission Glass.....	IS-IR-3
Features and Options.....	IS-IR-4
Glazing Performance.....	IS-IR-5
Grille Types	
Grille Profiles.....	IS-IR-6
Grille Patterns.....	IS-IR-7
Size Tables.....	IS-IR-8
Design Data.....	IS-IR-14
Detailed Product Descriptions	
Architect Series® Traditional.....	IS-IR-20
Pella® Reserve™ Traditional.....	IS-IR-21
Unit Sections.....	IS-IR-22
Wood Collection.....	IS-IR-22
Architect Series® Traditional (Ogee Profile).....	IS-IR-26
Pella Reserve Traditional (Putty Profile).....	IS-IR-30

Test Reports:

https://media.pella.com/professional/adm/CertificationReports/Test_Reports_AS-Clad.pdf

CSI Specs (readable using Microsoft Word or other text editing application):

https://media.pella.com/professional/adm/Wood-CSI_Specs/08213-HIG.rtf

AlA Masterspec

(readable using Microsoft Word or other text editing application):

https://media.pella.com/professional/adm/Wood-CSI_Specs/Masterspec/085200_fl.doc

Detailed Product Description

(readable using Microsoft Word or other text editing application):

<https://media.pella.com/professional/adm/Clad-Wood/PR-ImpactResistant-InSwingDoor-C.rtf>

Size Tables (requires appropriate CAD software to read and use):

https://media.pella.com/professional/adm/Clad-Wood/AS-IF-OG-PT-Elev_D.dwg

CAD cross sections (requires appropriate CAD software to read and use):

https://media.pella.com/professional/adm/Clad-Wood/PRCW-IS-Detail_D.dwg

3D & BIM / REVIT (requires appropriate software to read and use):

<https://media.pella.com/professional/adm/RevitFiles/PR-Revit/Door-In-Swing-Pella-Reserve-Traditional.zip>

Sketchup (requires appropriate software to read and use):

https://media.pella.com/professional/adm/Clad-Wood/PellaSKP_PellaReserve_Traditional_Hinged_Door_In-Swing.zip

Installation Details:

https://media.pella.com/professional/adm/Clad-Wood/F_InstallationDetails.pdf

The information published in this document is believed to be accurate at the time of publication. However, because we are constantly working to improve our products, specifications are subject to change without notice. Consult your local Pella representative for up-to-date product information.

Microsoft and Microsoft Word are registered trademarks of Microsoft Corp.

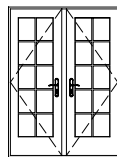


Impact-Resistant In-Swing Door

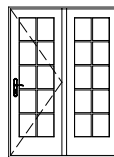
Size and Performance Data

	Clad
Sizes	
Standard Door Sizes	●
Standard Sidelight Sizes	●
Standard Transom Sizes—Fixed Frame Direct Set	●
Wide Stile Casement	●
Special Sizes	●
Single-Swing Single Door Width	
2' 2"	●
2' 6"	●
2' 10"	●
3' 0"	●
3' 2"	●
Standard 2-Panel Door Width¹	
4' 2"	●
5' 0"	●
5' 7"	●
6' 0"	●
6' 3"	●
Standard Door Heights	
6' 7-1/2"	●
6' 10"	●
7' 2"	●
8' 0"	●
10' 0"	●

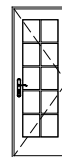
Double-Swing



Single-Swing Double



Single-Swing



(-) = Not Available

(1) Fixed/Active and Active/Fixed doors are available.

(2) The higher the level, the greater the product's ability to resist forced entry. Valid only if Pella supplied locking system is used.



Impact-Resistant In-Swing Door

Size and Performance Data

Performance Data ¹		Clad
Doors 8' Tall and Under	Impact-Resistant Glass	
	Meets or Exceeds AAMA /WDMA Ratings	LC55
	Air Infiltration (cfm /ft ² of frame @ 1.57 psf wind pressure)	0.15
	Water Resistance	8.36 psf
	Design Pressure	55 psf
Doors over 8' Tall up to 10'	Impact-Resistant Glass	
	Meets or Exceeds AAMA /WDMA Ratings	LC40
	Air Infiltration (cfm /ft ² of frame @ 1.57 psf wind pressure)	0.15
	Water Resistance	7.52 psf
	Design Pressure	40 psf

Other Performance Criteria	
Forced Entry Resistance Level (Minimum Security Grade) ₂	40

Sound Transmission Class / Outdoor-Indoor Transmission Class

Product	Frame Size Tested ₂	Glazing System			STC Rating	OITC Rating
		Overall Glazing Thickness	Exterior Glass Thickness	Interior Glass Thickness		
Clad Impact-Resistant Glazing	No Grilles					
	71-1/4" x 81-1/2" (passive-active)	7/8"	8.6mm PVB	4.7mm	33	30

(-) = Not Available

(1) ASTM E 1425 defines standard sizes for acoustical testing. Ratings achieved at that size are representative of all sizes of the same configuration.

(2) Maximum performance for single unit when glazed with the appropriate glass thickness. Doors supplied without latching hardware are not AAMA/WDMA performance certified.

See Design Data pages in this section for specific product performance class and grade values.



Impact-Resistant In-Swing Door

Glazing Performance - Total Unit

Glazing Thickness	Type of Glazing	NFRC Certified Product #	Glass (mm)		Gap Fill	Performance Values ₁				Shaded Areas Meet ENERGY STAR® Performance Criteria in Zones Shown						
			Ext.	Int.		U-Factor	SHGC	VLT	CR	U. S.			Canada ₂			
										Zone			ER	Zone		
Vent - Laminated Impact-Resistant Glass										N	NC	SC	S	CA		
7/8"	Clear IG	PEL-N-218-04365-00001	8	5	Air	0.41	0.39	0.44	44							
	with grilles-between-the-glass	PEL-N-218-04366-00001				0.42	0.34	0.38	44							
	with integral grilles	PEL-N-218-04367-00001				0.42	0.34	0.38	44							
7/8"	Advanced Low-E IG	PEL-N-218-04273-00001	8	5	Argon	0.29	0.22	0.38	59							
	with grilles-between-the-glass	PEL-N-218-04274-00001				0.31	0.19	0.33	59							
	with integral grilles	PEL-N-218-04275-00001				0.31	0.19	0.33	59							
7/8"	SunDefense™ Low-E IG	PEL-N-218-04317-00001	8	5	Argon	0.29	0.17	0.35	59							
	with grilles-between-the-glass	PEL-N-218-04318-00001				0.31	0.15	0.30	59							
	with integral grilles	PEL-N-218-04319-00001				0.30	0.15	0.30	59							
Tinted Laminated Impact-Resistant Glass																
7/8"	Bronze Advanced Low-E IG	PEL-N-218-04501-00001	8	5	Argon	0.41	0.32	0.32	44							
	with grilles-between-the-glass	PEL-N-218-04502-00001				0.42	0.28	0.27	44							
	with integral grilles	PEL-N-218-04503-00001				0.42	0.28	0.27	44							
7/8"	Gray Advanced Low-E IG	PEL-N-218-04509-00001	8	5	Argon	0.41	0.31	0.30	44							
	with grilles-between-the-glass	PEL-N-218-04510-00001				0.42	0.27	0.25	44							
	with integral grilles	PEL-N-218-04511-00001				0.42	0.27	0.25	44							
7/8"	Green Advanced Low-E IG	PEL-N-218-04517-00001	8	5	Argon	0.41	0.31	0.40	44							
	with grilles-between-the-glass	PEL-N-218-04518-00001				0.42	0.27	0.34	44							
	with integral grilles	PEL-N-218-04519-00001				0.42	0.27	0.34	44							

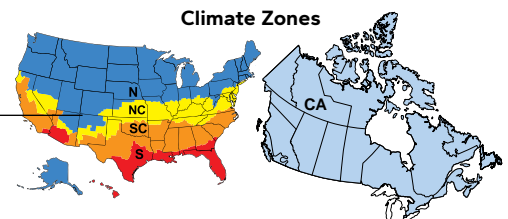
R-Value = 1/U-Factor
 SHGC = Solar Heat Gain Coefficient
 VLT % = Visible Light Transmission
 CR = Condensation Resistance
 ER = Canadian Energy Rating

(1) Glazing performance values are calculated for Pine using NFRC 100, NFRC 200 and NFRC 500. Thermal performance of other wood species may vary. ENERGY STAR® values are updated to 2023 (Version 7) criteria.

(2) The values shown are based on Canada's updated ENERGY STAR® 2020 initiative.

U-Factor values shown are based on a standard sill and pine interior.

Visit www.energystar.gov for Energy Star guidelines.

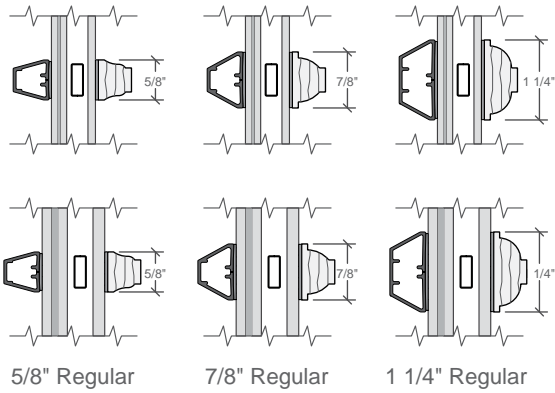




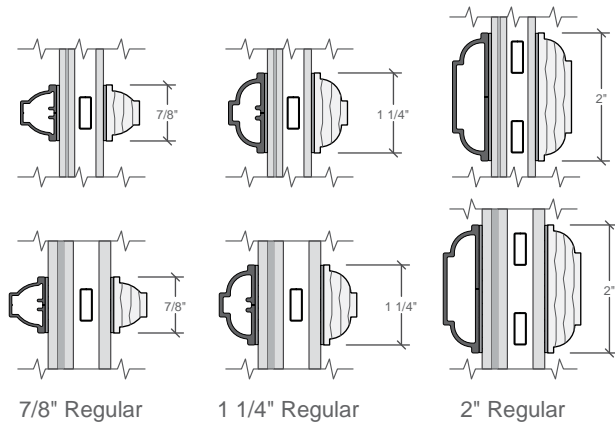
Grille Profiles

Traditional Style Collection - Integral Light Technology

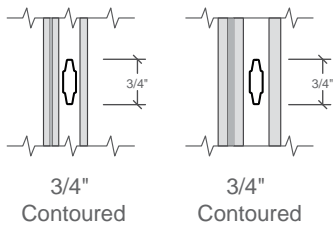
Putty Glaze and Ogee Grilles
Clad Exterior - Wood Interior



Ogee Grilles
Clad Exterior - Wood Interior



Grilles-Between-the-Glass



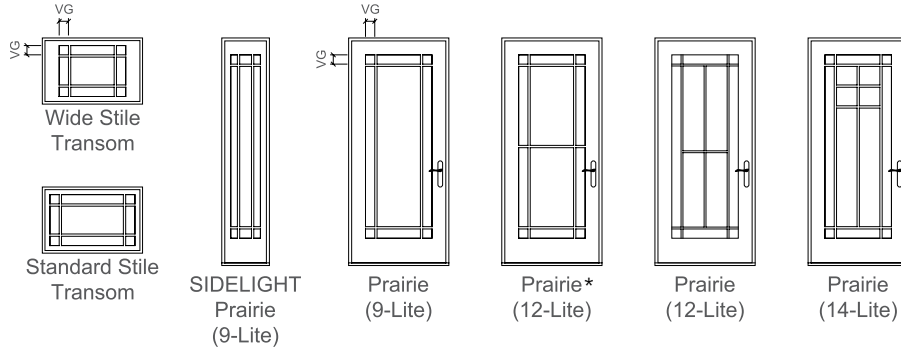
Interior wood ILT grilles available in Pine, Mahogany or Douglas Fir to match complete unit.



Grille Patterns

Integral Light Technology® Grilles

Prairie Lite Patterns

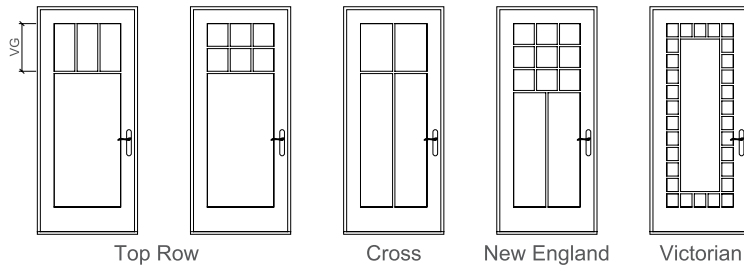


All sidelights and transoms will have 9 lights.
Standard corner lite dimension for Prairie patterns = 3-1/2" VG.

Integral Light Technology Grilles

- 9-Lite available in all standard and special sizes.
- 12-Lite available at 8' height; other heights available per custom drawing.
- 14-Lite available in units > 2' 1-1/2" width.

Other Available Patterns



Top Row

- Standard visible glass to separator bar = 14" or half of total visible glass height, whichever is smaller.

Cross

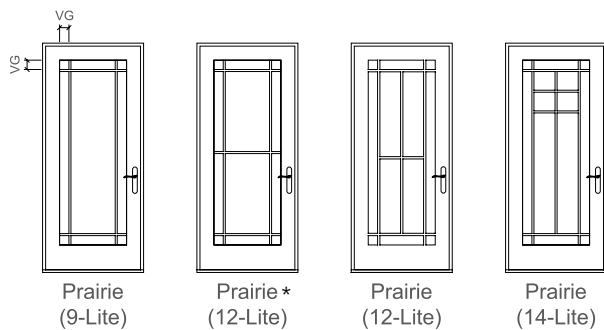
- Standard visible glass to separator bar = one-quarter of total visible glass height.

New England

- Standard visible glass to separator bar = half of total visible glass height.

Grilles-Between-the-Glass

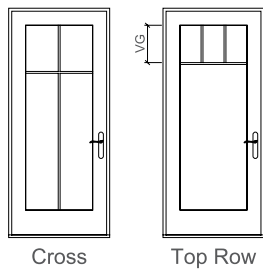
Prairie Lite Patterns



Prairie

- Standard corner lite dimension = 3-1/2" VG.
- 9-Lite available in units < 7' 0-3/4" height.
- * Prairie in heights > 7' 0-1/2" will have 12 lites.
- 12-Lite available in units ≤ 7' 2" height.

Other Available Patterns



Cross

- Horizontal bar is 1/4 of visible glass from the top in door panels.
- Not available in transoms.

Top Row

- Horizontal bar may be ordered 12", 14" or 16" from the top VG.
- Transoms with frame heights ≥ 21", the horizontal bar will be positioned at 1/2 the visible glass height.
- Top Row not available in transoms with frame height < 21".

For traditional patterns, see size tables.

VG = Visible Glass

Lite dimensions noted can vary.

Custom configurations are available; for details contact your local Pella sales representative.

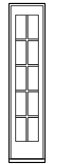
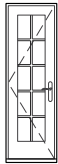
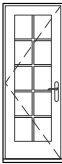
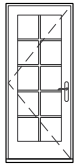
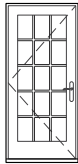
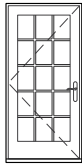


Impact-Resistant In-Swing Door

Size Tables

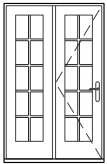
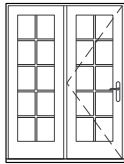
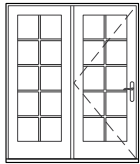
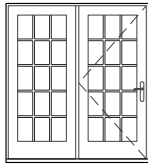
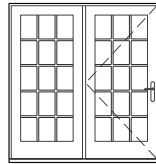
6' 7" Single Doors and Sidelight

	(476) (457)	(664) (645)	(781) (762)	(870) (851)	(933) (914)	(981) (962)
Opening	1' 6 3/4"	2' 2 1/8"	2' 6 3/4"	2' 10 1/4"	3' 0 3/4"	3' 2 5/8"
Frame	1' 6"	2' 1 3/8"	2' 6"	2' 9 1/2"	3' 0"	3' 17/8"

(2 032) (2 019)	6' 8"	6' 7 1/2"						
			SIDELIGHT 1880	LEFT 2680	LEFT 3080	LEFT 3480	LEFT 3680	LEFT 3880

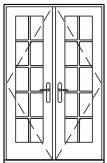
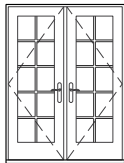
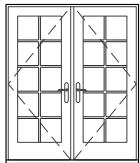
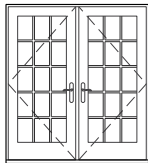
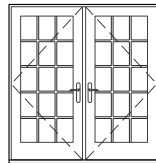
6' 7" Double Doors Fixed-Active

	(1 289) (1 270)	(1 524) (1 505)	(1 702) (1 682)	(1 829) (1 810)	(1 924) (1 905)
Opening	4' 2 3/4"	5' 0"	5' 7"	6' 0"	6' 3 3/4"
Frame	4' 2"	4' 11 1/4"	5' 6 1/4"	5' 11 1/4"	6' 3"

(2 032) (2 019)	6' 8"	6' 7 1/2"					
			FIXED-ACTIVE 5080	FIXED-ACTIVE 6080	FIXED-ACTIVE 6780	FIXED-ACTIVE 7280	FIXED-ACTIVE 7580

6' 7" Double Doors Active-Passive

	(1 289) (1 270)	(1 524) (1 505)	(1 702) (1 682)	(1 829) (1 810)	(1 924) (1 905)
Opening	4' 2 3/4"	5' 0"	5' 7"	6' 0"	6' 3 3/4"
Frame	4' 2"	4' 11 1/4"	5' 6 1/4"	5' 11 1/4"	6' 3"

(2 032) (2 019)	6' 8"	6' 7 1/2"					
			ACTIVE-PASSIVE 5080	ACTIVE-PASSIVE 6080	ACTIVE-PASSIVE 6780	ACTIVE-PASSIVE 7280	ACTIVE-PASSIVE 7580

Not to scale

Traditional grille patterns shown. Refer to the Grille Types section for additional patterns and profiles.

All doors and sidelights are glazed with tempered glass.

Left-hand single doors shown, right-hand and fixed also available.



Impact-Resistant In-Swing Door

Size Tables

6' 10" Single Doors and Sidelight

	(476) (457)	(664) (645)	(781) (762)	(870) (851)	(933) (914)	(981) (962)
Opening	1' 6 3/4"	2' 2 1/8"	2' 6 3/4"	2' 10 1/4"	3' 0 3/4"	3' 2 5/8"
Frame	1' 6"	2' 1 3/8"	2' 6"	2' 9 1/2"	3' 0"	3' 17/8"
Diagram						
Model	SIDELIGHT 1882	LEFT 2682	LEFT 3082	LEFT 3482	LEFT 3682	LEFT 3882

6' 10" Double-Swing Doors Fixed-Active

	(1 289) (1 270)	(1 524) (1 505)	(1 702) (1 682)	(1 829) (1 810)	(1 924) (1 905)
Opening	4' 2 3/4"	5' 0"	5' 7"	6' 0"	6' 3 3/4"
Frame	4' 2"	4' 11 1/4"	5' 6 1/4"	5' 11 1/4"	6' 3"
Diagram					
Model	FIXED-ACTIVE 5082	FIXED-ACTIVE 6082	FIXED-ACTIVE 6782	FIXED-ACTIVE 7282	FIXED-ACTIVE 7582

6' 10" Double Doors Active-Passive

	(1 289) (1 270)	(1 524) (1 505)	(1 702) (1 682)	(1 829) (1 810)	(1 924) (1 905)
Opening	4' 2 3/4"	5' 0"	5' 7"	6' 0"	6' 3 3/4"
Frame	4' 2"	4' 11 1/4"	5' 6 1/4"	5' 11 1/4"	6' 3"
Diagram					
Model	ACTIVE-PASSIVE 5082	ACTIVE-PASSIVE 6082	ACTIVE-PASSIVE 6782	ACTIVE-PASSIVE 7282	ACTIVE-PASSIVE 7582

Not to scale

Traditional grille patterns shown. Refer to the Grille Types section for additional patterns and profiles.

All doors and sidelights are glazed with tempered glass.

Left-hand single doors shown, right-hand and fixed also available.



Impact-Resistant In-Swing Door

Size Tables

7' 2" Single Doors and Sidelight

	(476) (457)	(664) (645)	(781) (762)	(870) (851)	(933) (914)	(981) (962)
Opening	1' 6 3/4"	2' 2 1/8"	2' 6 3/4"	2' 10 1/4"	3' 0 3/4"	3' 2 5/8"
Frame	1' 6"	2' 1 3/8"	2' 6"	2' 9 1/2"	3' 0"	3' 17/8"

(2 197) (2 184)						
7' 2 1/2"						
7' 2"	 SIDELIGHT 1886	 LEFT 2686	 LEFT 3086	 LEFT 3486	 LEFT 3686	 LEFT 3886

7' 2" Double-Swing Doors Fixed-Active

	(1 289) (1 270)	(1 524) (1 505)	(1 702) (1 682)	(1 829) (1 810)	(1 924) (1 905)
Opening	4' 2 3/4"	5' 0"	5' 7"	6' 0"	6' 3 3/4"
Frame	4' 2"	4' 11 1/4"	5' 6 1/4"	5' 11 1/4"	6' 3"

(2 197) (2 184)					
7' 2 1/2"					
7' 2"	 FIXED-ACTIVE 5086	 FIXED-ACTIVE 6086	 FIXED-ACTIVE 6786	 FIXED-ACTIVE 7286	 FIXED-ACTIVE 7586

7' 2" Double Doors Active-Passive

	(1 289) (1 270)	(1 524) (1 505)	(1 702) (1 682)	(1 829) (1 810)	(1 924) (1 905)
Opening	4' 2 3/4"	5' 0"	5' 7"	6' 0"	6' 3 3/4"
Frame	4' 2"	4' 11 1/4"	5' 6 1/4"	5' 11 1/4"	6' 3"

(2 197) (2 184)					
7' 2 1/2"					
7' 2"	 ACTIVE-PASSIVE 5086	 ACTIVE-PASSIVE 6086	 ACTIVE-PASSIVE 6786	 ACTIVE-PASSIVE 7286	 ACTIVE-PASSIVE 7586

Not to scale

Traditional grille patterns shown. Refer to the Grille Types section for additional patterns and profiles.

All doors and sidelights are glazed with tempered glass. Left-hand single doors shown, right-hand and fixed also available.



Impact-Resistant In-Swing Door

Size Tables

8' 0" Single Doors and Sidelight

	(476) (457)	(664) (645)	(781) (762)	(870) (851)	(933) (914)	(981) (962)
Opening	1' 6 3/4"	2' 2 1/8"	2' 6 3/4"	2' 10 1/4"	3' 0 3/4"	3' 2 5/8"
Frame	1' 6"	2' 1 3/8"	2' 6"	2' 9 1/2"	3' 0"	3' 17/8"
Diagram						
Model	SIDELIGHT 1896	LEFT 2696	LEFT 3096	LEFT 3496	LEFT 3696	LEFT 3896

8' 0" Double-Swing Doors Fixed-Active

	(1 289) (1 270)	(1 524) (1 505)	(1 702) (1 682)	(1 829) (1 810)	(1 924) (1 905)
Opening	4' 2 3/4"	5' 0"	5' 7"	6' 0"	6' 3 3/4"
Frame	4' 2"	4' 11 1/4"	5' 6 1/4"	5' 11 1/4"	6' 3"
Diagram					
Model	FIXED-ACTIVE 5096	FIXED-ACTIVE 6096	FIXED-ACTIVE 6796	FIXED-ACTIVE 7296	FIXED-ACTIVE 7596

8' 0" Double Doors Active-Passive

	(1 289) (1 270)	(1 524) (1 505)	(1 702) (1 682)	(1 829) (1 810)	(1 924) (1 905)
Opening	4' 2 3/4"	5' 0"	5' 7"	6' 0"	6' 3 3/4"
Frame	4' 2"	4' 11 1/4"	5' 6 1/4"	5' 11 1/4"	6' 3"
Diagram					
Model	ACTIVE-PASSIVE 5096	ACTIVE-PASSIVE 6096	ACTIVE-PASSIVE 6796	ACTIVE-PASSIVE 7296	ACTIVE-PASSIVE 7596

Not to scale

Traditional grille patterns shown. Refer to the Grille Types section for additional patterns and profiles.

All doors and sidelights are glazed with tempered glass. Left-hand single doors shown, right-hand and fixed also available.



Impact-Resistant In-Swing Door

Size Tables

10' 0" Single Doors and Sidelight

	(664) (645)	(781) (762)	(870) (851)	(933) (914)	(981) (962)
Opening	2' 2 1/8"	2' 6 3/4"	2' 10 1/4"	3' 0 3/4"	3' 2 5/8"
Frame	2' 1 3/8"	2' 6"	2' 9 1/2"	3' 0"	3' 1 7/8"

(3 048) (3 035)	10' 0"	9' 11 1/2"			
	LEFT 26120	LEFT 30120	LEFT 34120	LEFT 36120	LEFT 38120

10' 0" Double Doors Active-Passive

	(1 289) (1 270)	(1 524) (1 505)	(1 702) (1 682)	(1 829) (1 810)	(1 924) (1 905)
Opening	4' 2 3/4"	5' 0"	5' 7"	6' 0"	6' 3 3/4"
Frame	4' 2"	4' 11 1/4"	5' 6 1/4"	5' 11 1/4"	6' 3"

(3 048) (3 035)	10' 0"	9' 11 1/2"			
	ACTIVE-PASSIVE 50120	ACTIVE-PASSIVE 60120	ACTIVE-PASSIVE 67120	ACTIVE-PASSIVE 72120	ACTIVE-PASSIVE 75120

Not to scale

Traditional grille patterns shown. Refer to the Grille Types section for additional patterns and profiles.

All doors and sidelights are glazed with tempered glass. Left-hand single doors shown, right-hand and fixed also available.



Impact-Resistant In-Swing Door

Size Tables

Wide Stile Transoms for Single Doors

		Opening	2' 2 1/8" (664)	2' 6 3/4" (781)	2' 10 1/4" (870)	3' 0 3/4" (933)	3' 2 5/8" (981)
		Frame	2' 1 3/8" (645)	2' 6" (762)	2' 9 1/2" (851)	3' 0" (914)	3' 1 7/8" (962)
(451) (432)	1' 5 3/4"						
	1' 5"						
(654) (635)	2' 1 3/4"						
	2' 1"						

Standard Stile Transoms for Single Doors

(451) (432)	1' 5 3/4"					
	1' 5"					
(654) (635)	2' 1 3/4"					
	2' 1"					

Fixed Frame Direct Sets for Single Doors

(451) (432)	1' 5 3/4"					
	1' 5"					
(654) (635)	2' 1 3/4"					
	2' 1"					

Wide Stile Transoms for Double-Swing Doors

		Opening	4' 2 3/4" (1 289)	5' 0" (1 524)	5' 7" (1 702)	6' 0" (1 829)	6' 3 3/4" (1 924)
		Frame	4' 2" (1 270)	4' 11 1/4" (1 505)	5' 6 1/4" (1 682)	5' 11 1/4" (1 810)	6' 3" (1 905)
(451) (432)	1' 5 3/4"						
	1' 5"						
(654) (635)	2' 1 3/4"						
	2' 1"						

Standard Stile Transoms for Double-Swing Doors

(451) (432)	1' 5 3/4"					
	1' 5"					
(654) (635)	2' 1 3/4"					
	2' 1"					

Fixed Frame Direct Sets for Double-Swing Doors

(451) (432)	1' 5 3/4"					
	1' 5"					
(654) (635)	2' 1 3/4"					
	2' 1"					

T Tempered glass is standard.

Not to scale

Traditional grille patterns shown. Refer to the Grille Types section for additional patterns and profiles.

All doors and sidelights are glazed with tempered glass. Left-hand single doors shown, right-hand and fixed also available.



Impact-Resistant In-Swing Door

Special Sizes and Dimensions

	7/8" Insulated Glass PVB
Maximum Performance Grade¹	
Vent units 6' 10" tall and under	+55 / -70
Vent units 8' tall and under	+55 / -70
Vent units over 8' tall up to 10' tall	+40 / -50
Fixed units 6' 10" tall and under	+55 / -70
Fixed units 8' tall and under	+55 / -70
Fixed units over 8' tall up to 10' tall	+40 / -50
Certification	
Miami-Dade County	—
Hallmark	411-H-1164
FPAS	FL14293
TDI	DR-635

Impact-Resistant Glazing Special Size Frame Dimensions

Door Type	Frame Width		Frame Height	
	Minimum	Maximum	Minimum	Maximum
Single Door	24"	37-7/8"	76-3/8"	119-1/2"
Double Door	48"	75"	73-3/8"	119-1/2"
Transoms	25-1/4"	75-3/4"	17"	25"
Sidelight	12"	42"	48"	96"

(—) = Not Applicable

(1) Units are tested for air/water/structural and impact-resistance, and certified for wind zone 3, large missile rating D.

Doors with low profile sills, curved glass in rectangular panel, custom stiles and rails, and no-lock no-bore hardware options and not certified to the above standards.

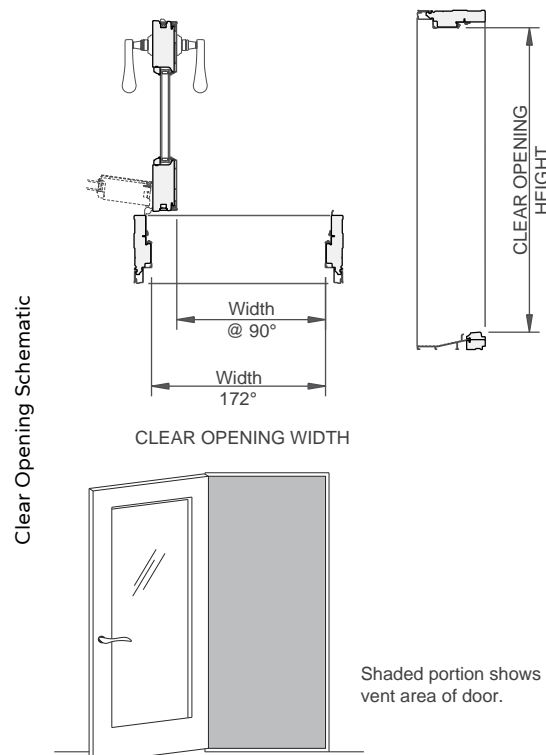


Impact-Resistant In-Swing Door

Miscellaneous Formulas

	Visible Glass	Actual Glass
Doors	Width (Single Door) = Frame - 11-5/8" Width (Double Door) = (Frame Width ÷ 2) - 11-1/4" Height = Frame - 15-3/4"	Width (Single Door) = Frame - 10-5/8" Width (Double Door) = (Frame Width ÷ 2) - 10-1/4" Height = Frame - 14-3/4"
Transoms — Fixed Frame Direct Set	Width = Frame - 3-1/4" Height = Frame - 3-1/4"	Width = Frame - 2" Height = Frame - 2"
Transoms — Fixed Casement	Width = Frame - 5-3/4" Height = Frame - 5-3/4"	Width = Frame - 4-3/4" Height = Frame - 4-3/4"
Transoms — Wide Stile Casement	Width = Frame - 11-5/8" Height = Frame - 5-3/4"	Width = Frame - 10-5/8" Height = Frame - 4-3/4"
Sidelights	Width = Frame - 6-5/8" Height = Frame - 15-3/4"	Width = Frame - 5-5/8" Height = Frame - 14-3/4"

	Clear Opening	
	Width	Height
Clear Opening (@ 90°)	Width (Double Door—Active Panel) = (Frame ÷ 2) - 5" Width (Double Door—Both Panels) = Frame - 7-1/2" Width (Single Door) = Frame - 5-5/16"	Height = Frame - 3-1/16"
Clear Opening (@ 172°)	Width (Double Door—Active Panel) = (Frame Width ÷ 2) - 2-3/4" Width (Double Door—Both Panels) = Frame - 3" Width (Single Door) = Frame - 3-3/16"	Height = Frame - 3-1/16"



To convert areas to square meters (m²), multiply square feet by 0.0929.



Impact-Resistant In-Swing Door

Design Data

In-Swing French Design Data										
Unit	Single and Double Doors	Clear Opening (Inches) ₁				Vent Area (Standard Sill)	Vent Area (ADA Sill)	Visible Glass Ft ²	Performance Class & Grade ₂	
		Width (Inches) (172°)	Width (Inches) (90°)	Standard Sill Unit Height	ADA Sill Unit Height					
2680	F	—	—	—	—	—	—	6.1	LC55	
3080	F	—	—	—	—	—	—	8.1	LC55	
3480	F	—	—	—	—	—	—	9.7	LC55	
3680	F	—	—	—	—	—	—	10.8	LC55	
3880	F	—	—	—	—	—	—	11.6	LC55	
6' 7-1/2" Doors	2680	L/R	22-5/16	20-1/16	76-7/16	77-1/2	11.8	12.0	6.1	LC55
	3080	L/R	26-15/16	24-11/16	76-7/16	77-1/2	14.3	14.5	8.1	LC55
	3480	L/R	30-7/16	28-3/16	76-7/16	77-1/2	16.2	16.4	9.7	LC55
	3680	L/R	32-15/16	30-11/16	76-7/16	77-1/2	17.5	17.7	10.8	LC55
	3880	L/R	34-13/16	32-9/16	76-7/16	77-1/2	18.5	18.7	11.6	LC55
	5080	FA/AF	22-5/16	20-1/16	76-7/16	77-1/2	11.8	12.0	12.2	LC55
	6080	FA/AF	26-15/16	24-11/16	76-7/16	77-1/2	14.3	14.5	16.3	LC55
	6780	FA/AF	30-7/16	28-3/16	76-7/16	77-1/2	16.2	16.4	19.4	LC55
	7280	FA/AF	32-15/16	30-11/16	76-7/16	77-1/2	17.5	17.7	21.6	LC55
	7580	FA/AF	34-13/16	32-9/16	76-7/16	77-1/2	18.5	18.7	23.2	LC55
	5080	PA/AP	47/ 22-1/4	42-1/2/ 20	76-7/16	77-1/2	25.0	25.3	12.2	LC55
	6080	PA/AP	56-1/4/ 26-7/8	51-3/4 / 24-5/8	76-7/16	77-1/2	29.9	30.3	16.3	LC55
	6780	PA/AP	63-1/4/ 30-7/8	58-3/4/ 28-5/8	76-7/16	77-1/2	33.6	34.0	19.4	LC55
	7280	PA/AP	68-1/4/ 32-7/8	63-3/4 / 30-5/8	76-7/16	77-1/2	36.2	36.7	21.6	LC55
	7580	PA/AP	72 / 34-3/4	67-1/2 / 32-1/2	76-7/16	77-1/2	38.2	38.8	23.2	LC55

(—) = Not Applicable

1) All dimensions are approximate to the nearest 1/16". The second value, where shown, provides the clear opening for the active panel only.

2) Maximum performance of units, with a standard sill, when glazed with the appropriate glass thickness. Units with a ADA low profile sill are not AAMA/WDMA performance certified.

To convert areas to square meters (m²), multiply square feet by 0.0929.



Impact-Resistant In-Swing Door

Design Data

In-Swing French Design Data									
Unit	Single and Double Doors	Clear Opening (Inches) ₁				Vent Area (Standard Sill)	Vent Area (ADA Sill)	Visible Glass Ft ²	Performance Class & Grade ₂
		Width (172°)	Width (90°)	Standard Sill Unit Height	ADA Sill Unit Height				
2682	F	—	—	—	—	—	—	6.3	LC55
3082	F	—	—	—	—	—	—	8.4	LC55
3482	F	—	—	—	—	—	—	9.8	LC55
3682	F	—	—	—	—	—	—	11.1	LC55
3882	F	—	—	—	—	—	—	12.0	LC55
2682	L/R	22-5/16	20-1/16	78-7/16	79-1/2	12.2	12.3	6.3	LC55
3082	L/R	26-15/16	24-11/16	78-7/16	79-1/2	14.7	14.9	8.4	LC55
3482	L/R	30-7/16	28-3/16	78-7/16	79-1/2	16.6	16.8	9.8	LC55
3682	L/R	32-15/16	30-11/16	78-7/16	79-1/2	17.9	18.2	11.1	LC55
3882	L/R	34-13/16	32-9/16	78-7/16	79-1/2	19.0	19.2	12.0	LC55
5082	FA/AF	22-5/16	20-1/16	78-7/16	79-1/2	12.2	12.3	12.6	LC55
6082	FA/AF	26-15/16	24-11/16	78-7/16	79-1/2	14.7	14.9	16.8	LC55
6782	FA/AF	30-7/16	28-3/16	78-7/16	79-1/2	16.6	16.8	19.6	LC55
7282	FA/AF	32-15/16	30-11/16	78-7/16	79-1/2	17.9	18.2	22.3	LC55
7582	FA/AF	34-13/16	32-9/16	78-7/16	79-1/2	19.0	19.2	24.0	LC55
5082	PA/AP	47/ 22-1/4	42-1/2/ 20	78-7/16	79-1/2	25.6	26.0	12.6	LC55
6082	PA/AP	56-1/4/ 26-7/8	51-3/4 / 24-5/8	78-7/16	79-1/2	30.6	31.1	16.8	LC55
6782	PA/AP	63-1/4/ 30-7/8	58-3/4/ 28-5/8	78-7/16	79-1/2	34.5	34.9	19.6	LC55
7282	PA/AP	68-1/4/ 32-7/8	63-3/4 / 30-5/8	78-7/16	79-1/2	37.2	37.7	22.3	LC55
7582	PA/AP	72 / 34-3/4	67-1/2 / 32-1/2	78-7/16	79-1/2	39.2	39.8	24.0	LC55
2686	F	—	—	—	—	—	—	6.7	LC55
3086	F	—	—	—	—	—	—	9.0	LC55
3486	F	—	—	—	—	—	—	10.7	LC55
3686	F	—	—	—	—	—	—	11.9	LC55
3886	F	—	—	—	—	—	—	12.8	LC55
2686	L/R	22-5/16	20-1/16	82-15/16	84	12.9	13.0	6.7	LC55
3086	L/R	26-15/16	24-11/16	82-15/16	84	15.5	15.7	9.0	LC55
3486	L/R	30-7/16	28-3/16	82-15/16	84	17.5	17.8	10.7	LC55
3686	L/R	32-15/16	30-11/16	82-15/16	84	19.0	19.2	11.9	LC55
3886	L/R	34-13/16	32-9/16	82-15/16	84	20.1	20.3	12.8	LC55
5086	FA/AF	22-5/16	20-1/16	82-15/16	84	12.9	13.0	13.4	LC55
6086	FA/AF	26-15/16	24-11/16	82-15/16	84	15.5	15.7	17.9	LC55
6786	FA/AF	30-7/16	28-3/16	82-15/16	84	17.5	17.8	21.3	LC55
7286	FA/AF	32-15/16	30-11/16	82-15/16	84	19.0	19.2	23.8	LC55
7586	FA/AF	34-13/16	32-9/16	82-15/16	84	20.1	20.3	25.6	LC55
5086	PA/AP	47/ 22-1/4	42-1/2/ 20	82-15/16	84	27.1	27.4	13.4	LC55
6086	PA/AP	56-1/4/ 26-7/8	51-3/4 / 24-5/8	82-15/16	84	32.4	32.8	17.9	LC55
6786	PA/AP	63-1/4/ 30-7/8	58-3/4/ 28-5/8	82-15/16	84	36.4	36.9	21.3	LC55
7286	PA/AP	68-1/4/ 32-7/8	63-3/4 / 30-5/8	82-15/16	84	39.3	39.8	23.8	LC55
7586	PA/AP	72 / 34-3/4	67-1/2 / 32-1/2	82-15/16	84	41.5	42.0	25.6	LC55

(—) = Not Applicable

1) All dimensions are approximate to the nearest 1/16". The second value, where shown, provides the clear opening for the active panel only.

2) Maximum performance of units, with a standard sill, when glazed with the appropriate glass thickness. Units with a ADA low profile sill are not AAMA/WDMA performance certified.

To convert areas to square meters (m²), multiply square feet by 0.0929.



Impact-Resistant In-Swing Door

Design Data

In-Swing French Design Data									
Unit	Single and Double Doors	Clear Opening (Inches) ₁				Vent Area (Standard Sill)	Vent Area (ADA Sill)	Visible Glass Ft ²	Performance Class & Grade ₂
		Width (172°)	Width (90°)	Standard Sill Unit Height	ADA Sill Unit Height				
2696	F	—	—	—	—	—	—	7.6	LC55
3096	F	—	—	—	—	—	—	10.2	LC55
3496	F	—	—	—	—	—	—	12.1	LC55
3696	F	—	—	—	—	—	—	13.5	LC55
3896	F	—	—	—	—	—	—	14.5	LC55
2696	L/R	22-5/16	20-1/16	92-7/16	93-1/2	14.3	14.5	7.6	LC55
3096	L/R	26-15/16	24-11/16	92-7/16	93-1/2	17.3	17.5	10.2	LC55
3496	L/R	30-7/16	28-3/16	92-7/16	93-1/2	19.5	19.8	12.1	LC55
3696	L/R	32-15/16	30-11/16	92-7/16	93-1/2	21.1	21.4	13.5	LC55
3896	L/R	34-13/16	32-9/16	92-7/16	93-1/2	22.4	22.6	14.5	LC55
5096	FA / AF	22-5/16	20-1/16	92-7/16	93-1/2	14.3	14.5	15.2	LC55
6096	FA / AF	26-15/16	24-11/16	92-7/16	93-1/2	17.3	17.5	20.4	LC55
6796	FA / AF	30-7/16	28-3/16	92-7/16	93-1/2	19.5	19.8	24.2	LC55
7296	FA / AF	32-15/16	30-11/16	92-7/16	93-1/2	21.1	21.4	27.0	LC55
7596	FA / AF	34-13/16	32-9/16	92-7/16	93-1/2	22.4	22.6	29.1	LC55
5096	PA / AP	47 / 22-1/4	42-1/2 / 20	92-7/16	93-1/2	30.2	30.5	15.2	LC55
6096	PA / AP	56-1/4 / 26-7/8	51-3/4 / 24-5/8	92-7/16	93-1/2	36.1	36.5	20.4	LC55
6796	PA / AP	63-1/4 / 30-7/8	58-3/4 / 28-5/8	92-7/16	93-1/2	40.6	41.1	24.2	LC55
7296	PA / AP	68-1/4 / 32-7/8	63-3/4 / 30-5/8	92-7/16	93-1/2	43.8	44.3	27.0	LC55
7596	PA / AP	72 / 34-3/4	67-1/2 / 32-1/2	92-7/16	93-1/2	46.2	46.8	29.1	LC55
26120	F	—	—	—	—	—	—	9.9	LC55
30120	F	—	—	—	—	—	—	13.2	LC55
34120	F	—	—	—	—	—	—	15.8	LC55
36120	F	—	—	—	—	—	—	17.56	LC55
38120	F	—	—	—	—	—	—	18.91	LC55
26120	L/R	22-5/16	20-1/16	116-7/16	117-1/2	18.04	18.21	9.91	LC40
30120	L/R	26-15/16	24-11/16	116-7/16	117-1/2	21.78	21.98	13.24	LC40
34120	L/R	30-7/16	28-3/16	116-7/16	117-1/2	24.61	24.84	15.76	LC40
36120	L/R	32-15/16	30-11/16	116-7/16	117-1/2	26.63	26.88	17.56	LC40
38120	L/R	34-13/16	32-9/16	116-7/16	117-1/2	28.15	28.41	18.91	LC40
50120	PA / AP	47 / 22-1/4	42-1/2 / 20	116-7/16	117-1/2	38.00	38.35	19.81	LC40
60120	PA / AP	56-1/4 / 26-7/8	51-3/4 / 24-5/8	116-7/16	117-1/2	45.48	45.90	26.48	LC40
67120	PA / AP	63-1/4 / 30-7/8	58-3/4 / 28-5/8	116-7/16	117-1/2	51.14	51.61	31.52	LC40
72120	PA / AP	68-1/4 / 32-7/8	63-3/4 / 30-5/8	116-7/16	117-1/2	55.19	55.69	35.12	LC40
75120	PA / AP	72 / 34-3/4	67-1/2 / 32-1/2	116-7/16	117-1/2	58.22	58.75	37.83	LC40

(—) = Not Applicable

1) All dimensions are approximate to the nearest 1/16". The second value, where shown, provides the clear opening for the active panel only.

2) Maximum performance of units, with a standard sill, when glazed with the appropriate glass thickness. Units with a ADA low profile sill are not AAMA/WDMA performance certified.

To convert areas to square meters (m²), multiply square feet by 0.0929.



Impact-Resistant In-Swing Door

Design Data

Transoms						
Unit	Visible Glass Ft ²	Standard Glass Thickness (mm)			Performance Class & Grade ²	
		Dual-Pane Glazing		Triple-Pane Glazing		
		Annealed	Tempered	Annealed or Tempered		
2614	1.7	3	3	3	CW50	
2617	2.1	3	3	3	CW50	
2625	3.3	3	3	3	CW50	
3014	2.0	3	3	3	CW50	
3017	2.6	3	3	3	CW50	
3025	4.0	3	3	3	CW50	
3414	2.3	3	3	3	CW50	
3417	2.9	3	3	3	CW50	
3425	4.6	3	3	3	CW50	
3614	2.4	3	3	3	CW50	
3617	3.1	3	3	3	CW50	
3625	4.9	3	3	3	CW50	
3814	2.6	3	3	3	CW50	
3817	3.3	3	3	3	CW50	
3825	5.2	3	3	3	CW50	
5014	3.5	3	3	3	CW50	
5017	4.5	3	3	3	CW50	
5025	7.1	3	3	3	CW50	
6014	4.2	3	3	3	CW50	
6017	5.3	3	3	3	CW50	
6025	8.5	3	3	3	CW50	
6714	4.7	3	3	3	CW40	
6717	6.0	3	3	3	CW40	
6725	9.5	3	3	3	CW40	
7214T	5.1	—	3	3	CW40	
7217	6.5	3	3	3	CW40	
7225	10.3	3	3	3	CW40	
7514T	5.4	—	3	3	CW40	
7517T	6.8	—	3	3	CW40	
7525	10.8	3	3	3	CW40	
2614	1.1	2.5	3	3	CW50	
2617	1.5	2.5	3	3	CW50	
2625	2.6	2.5	3	3	CW50	
3014	1.4	2.5	3	3	CW50	
3017	1.9	2.5	3	3	CW50	
3025	3.2	2.5	3	3	CW50	
3414	1.6	2.5	3	3	CW50	
3417	2.2	2.5	3	3	CW50	
3425	3.7	2.5	3	3	CW50	
3614	1.7	2.5	3	3	CW50	
3617	2.4	2.5	3	3	CW50	
3625	4.0	2.5	3	3	CW50	
3814	1.8	2.5	3	3	CW50	
3817	2.5	2.5	3	3	CW50	
3825	4.3	2.5	3	3	CW50	
5014	2.5	2.5	3	3	CW50	
5017	3.5	2.5	3	3	CW50	
5025	5.9	2.5	3	3	CW50	
6014T	3.1	—	3	3	CW50	
6017	4.2	2.5	3	3	CW50	
6025	7.2	2.5	3	3	CW45/CW50	
6714T	3.5	—	3	3	R151	
6717	4.7	2.5	3	3	R151	
6725	8.1	2.5	3	3	R151	
7214T	3.8	—	3	3	R151	
7217T	5.1	—	3	3	R151	
7225	8.8	2.5	3	3	R151	
7514T	4.0	—	3	3	R151	
7517T	5.4	—	3	3	R151	
7525	9.3	2.5	3	3	R151	

Transoms						
Unit	Visible Glass Ft ²	Standard Glass Thickness (mm)			Performance Class & Grade ²	
		Dual-Pane Glazing		Triple-Pane Glazing		
		Annealed	Tempered	Annealed or Tempered		
2614	0.8	2.5	3	3	R151	
2617	1.1	2.5	3	3	R151	
2625	1.8	2.5	3	3	R151	
3014	1.1	2.5	3	3	R151	
3017	1.4	2.5	3	3	R151	
3025	2.5	2.5	3	3	R151	
3414	1.3	2.5	3	3	R151	
3417	1.7	2.5	3	3	R151	
3425	2.9	2.5	3	3	R151	
3614	1.4	2.5	3	3	R151	
3617	1.9	2.5	3	3	R151	
3625	3.3	2.5	3	3	R151	
3814	1.5	2.5	3	3	R151	
3817	2.1	2.5	3	3	R151	
3825	3.5	2.5	3	3	R151	
5014	2.2	2.5	3	3	R151	
5017	3.0	2.5	3	3	R151	
5025	5.1	2.5	3	3	R151	
6014T	2.7	—	3	3	R151	
6017	3.7	2.5	3	3	R151	
6025	6.4	2.5	3	3	R151	
6714T	3.1	—	3	3	R151	
6717T	4.3	—	3	3	R151	
6725	7.3	2.5	3	3	R151	
7214T	3.4	—	3	3	R151	
7217T	4.7	—	3	3	R151	
7225	8.0	2.5	3	3	R151	
7514T	3.6	—	3	3	R151	
7517T	5.0	—	3	3	R151	
7525	8.5	2.5	3	3	R151	

Sidelights			
Unit	Visible Glass Ft ²	Frame Area Ft ²	Performance Class & Grade
1880	5.04	9.94	LC55
1881	5.09	10.02	LC55
1882	5.19	10.19	LC55
1886	5.55	10.75	LC55
1896	6.30	11.94	LC55

(1) Units are not AAMA/WDMA performance certified. Units are engineered to meet the performance class and grade shown.



Frame

- Select softwood, immersion treated with Pella's EnduraGuard® wood protection formula in accordance with WDMA I.S.-4. The EnduraGuard formula includes three active ingredients for protection against the effects of moisture, decay, stains from mold and mildew. Plus, an additional ingredient adds protection against termite damage.
- Interior exposed surfaces are [pine] [mahogany], edge-banded and veneered.
- Exterior surfaces are clad with aluminum at the head and jambs.
- Solid extruded aluminum sill with [Brown] [Mill] [Nickel] [Bronze] finish. [Mahogany threshold for mahogany door] [[oak] [composite black] threshold for pine door].
- Frame depth between 5-7/8" (149mm) to 8-5/8" (219mm), for wall depth between 4-9/16" (116mm) to 7-5/16" (186mm).
- Optional factory-applied EnduraClad® exterior trim.

Door Panels

- Select softwood, immersion treated with Pella's EnduraGuard® wood protection formula in accordance with WDMA I.S.-4. The EnduraGuard formula includes three active ingredients for protection against the effects of moisture, decay, stains from mold and mildew. Plus, an additional ingredient adds protection against termite damage.
- Interior exposed surfaces are veneered with [pine] [mahogany].
- Exterior surfaces are clad with aluminum.
- Panel hinge stiles and both rails are three-ply construction, randomly finger-jointed blocks laminated with water-resistant glue and veneered on both sides.
- Panel lock stiles on all units and all stiles on units over 8' height are constructed with LVL core with finger-jointed edge bands on both sides and veneered on both faces.
- Corners are urethane-silicone hybrid-sealed and secured with metal fasteners.
- Panel thickness is 2-1/16" (52mm).

Weatherstripping

- Dual-durometer extruded polymer along perimeter of door frame. On bottom panels, dual-durometer extruded polymer interior air seal and rigid polymer exterior facing bristle-strip.

Glazing System₁

- Quality fully-tempered float glass complying with ASTM C 1048.
- Silicone-glazed, 7/8" double-pane, dual-seal, impact-resistant, laminated, insulating glass
 - PVB Laminated clear exterior light, tempered interior light.
 - Clear with air.
 - [Bronze] [Gray] [Green] with air.
 - [Advanced Low-E] [SunDefense™ Low-E] with argon.

Exterior

- Exterior aluminum surfaces are finished with EnduraClad® multi-step, baked-on finish.
 - Color is [White] [Tan] [Brown] [Standard] [Custom₂].
 - or –
- Exterior aluminum surfaces are finished with EnduraClad® Plus protective finish with 70% fluoropolymer resin, multi-step baked-on finish.
 - Color is [White] [Tan] [Brown] [Standard] [Custom₂].

Interior

- [Unfinished, ready for site finishing] [factory primed with one coat acrylic latex] [factory prefinished [paint] [stain]₂].

Hardware

Hinges

- Doors 6' 10" and under frame height will have three (3) hinges.
- Doors over 6' 10" frame height up to and including 8' 0" frame height will have four (4) hinges.
- Doors over 8' 0" frame height up to and including 10' 0" frame height will have a minimum of five (5) hinges

Locks

- Mortised and keyed multi-point locking system, center deadbolt and shoot-bolts at head and sill will engage simultaneously.
- Doors 8' 0" frame height and below will have one (1) strike at the head, one (1) strike at the sill and one (1) center deadbolt.
- Doors over 8' 0" frame height up to and including 10' 0" frame height will have one (1) strike at the head, one (1) strike at the sill and three (3) locking points at the stile.
- Solid brass handles and keylock with K-keyway cylinder.
- Key cylinder finish is [Brass] [Stainless Steel] [Matte Black].

Finish

- Hardware finish (Handle, Hinges and Strike) is [PVD High Performance finish [Bright Brass] [Satin Nickel]] [Oil-Rubbed Bronze] [baked enamel [White] [Champagne] [Brown] [Matte Black]].

Optional Products

Grilles

- Integral Light Technology® Grilles
 - Interior grilles are solid [7/8"] [1-1/4"] [2"] ogee profile that are solid [pine] [mahogany]. Interior surfaces are [unfinished, ready for site finishing] [factory primed] [pine: factory prefinished [paint] [stain]₂].
 - Exterior grilles are [7/8"] [1-1/4"] [2"] ogee profile that are extruded aluminum to match window cladding.
 - Patterns are [Traditional] [Prairie] [Top Row] [Cross] [New England] [Victorian].
 - Grilles are adhered to both sides of the insulating glass with VHB acrylic adhesive tape.

– or –

Grilles-Between-the-Glass₃

- Insulating glass contains 3/4" contoured aluminum grilles permanently installed between two panes of glass.
 - Patterns are [Traditional] [Prairie] [Cross] [Top Row]
 - Interior color is [White] [Tan₄] [Brown₄] [Putty₄] [Black] [Morning Sky Gray] [Ivory] [Sand Dune] [Harvest] [Cordovan] [Brickstone].
 - Exterior color₅ is [Standard₂].

Screens

- InView™ Screens
 - Vinyl-coated 18/18 mesh fiberglass screen cloth complying SMA 1201.
 - An extruded aluminum frame is hinged to door frame.
 - Finish matches exterior cladding.

(1) Insulating glass with argon is Low-E coated. All other insulating glass is air-filled.

(2) Contact your local Pella sales representative for current color options.

(3) Available on units glazed with Low-E insulated glass with argon, clear insulated glass and obscure insulated glass.

(4) Tan, Brown and Putty Interior GBG colors are available in single-tone (Brown/Brown, Tan/Tan or Putty/Putty). Other interior colors are also available with Tan or Brown exterior.

(5) Appearance of exterior grille color will vary depending on Low-E coating on glass.



Frame

- Select softwood, immersion treated with Pella's EnduraGuard® wood protection formula in accordance with WDMA I.S.-4. The EnduraGuard formula includes three active ingredients for protection against the effects of moisture, decay, stains from mold and mildew. Plus, an additional ingredient adds protection against termite damage.
- Interior exposed surfaces are [clear pine] [mahogany], edge-banded and veneered.
- Exterior surfaces are clad with aluminum at the head and jambs.
- Components are assembled with screws, staples and concealed corner locks.
- Frame depth between 5-7/8" (149mm) to 8-5/8" (219mm), for wall depth between 4-9/16" (116mm) to 7-5/16" (186mm).
- Optional factory-applied EnduraClad® exterior trim.
- Solid extruded aluminum sill with [Mill] [Nickel] [Bronze] [Brown] [anodized to match anodized cladding] finish. [Mahogany threshold for mahogany door] [[oak] [composite black] threshold for pine door].

Door Panels

- Select softwood, immersion treated with Pella's EnduraGuard® wood protection formula in accordance with WDMA I.S.-4. The EnduraGuard formula includes three active ingredients for protection against the effects of moisture, decay, stains from mold and mildew. Plus, an additional ingredient adds protection against termite damage.
- Interior exposed surfaces are veneered with [clear pine] [mahogany].
- Exterior surfaces are clad with extruded aluminum.
- Panel hinge stiles and rails are three-ply construction, randomly finger-jointed blocks laminated with water-resistant glue and veneered on both sides.
- Panel lock stiles are constructed with LVL core with finger-jointed edge bands on both sides and veneered on both faces.
- Corners are urethane-silicone hybrid-sealed and secured with metal fasteners.
- Panel thickness is 2-1/16" (52mm).
- Panel exterior profile is [ogee] [putty glaze], interior profile is ogee.

Weatherstripping

- Dual-durometer extruded polymer along perimeter of door frame. On bottom panels, dual-durometer extruded polymer interior air seal and rigid polymer exterior facing bristle-strip.

Glazing System 1

- Quality fully-tempered float glass complying with ASTM C 1048.
- Silicone-glazed, 7/8" double-pane, dual-seal, impact-resistant, laminated, insulating glass
 - PVB Laminated clear exterior light, tempered interior light.
 - Clear with air.
 - [Bronze] [Gray] [Green] with air.
 - [Advanced Low-E] [SunDefense™ Low-E] with argon.

Exterior

- Aluminum clad exteriors shall be finished with EnduraClad® protective finish, in a multi-step, baked-on finish.
 - Color is [Standard] [custom]₂.

- or -
- Aluminum clad exteriors shall be finished with EnduraClad Plus protective finish with 70% fluoropolymer resin in a multi-step, baked-on finish.
 - Color is [Standard] [custom]₂.

Interior

- [Unfinished, ready for site finishing] [factory primed with one coat acrylic latex] [factory prefinished [paint] [stain]₁].

Hardware

Hinges

- Hinges are adjustable to help with installation.
- Doors under 7' 0" frame height will have three (3) hinges per panel.
- Doors over 7' 0" frame height up to and including 8' 0" frame height will have four (4) hinges per panel.
- Doors over 8' 3" frame height up to and including 9' 0" frame height will have five (5) hinges per panel.
- Doors over 9' 0" frame height will have six (6) hinges per panel.

Locks

- Mortised and keyed multi-point locking system, center deadbolt and shoot-bolts at head and sill will engage simultaneously.
- Doors 8' 0" frame height and below will have one (1) strike at the head, one (1) strike at the sill and one (1) center deadbolt.
- Doors over 8' 0" frame height up to and including 10' 0" frame height will have one (1) strike at the head, one (1) strike at the sill and three (3) locking points at the stile.
- Solid brass handles and keylock with K-keyway cylinder.
- Key cylinder finish is [Brass] [Stainless Steel] [Matte Black].

Finish

- Hardware finish is (Handle, Hinges and Strike) [baked enamel [White] [Champagne] [Brown] [Matte Black]] [PVD High Performance finish [Bright Brass] [Satin Nickel]] [Oil-Rubbed Bronze] [Antique Brass] [Distressed Bronze] [Distressed Nickel] [Polished Nickel] [Polished Chrome].

Optional Products

Grilles

- Integral Light Technology® Grilles
 - Interior grilles are [5/8"] [7/8"] [1-1/4"] [2"] ogee profile that are solid [Pine] [mahogany] [douglas fir]. Interior surfaces are [unfinished, ready for site finishing] [factory primed] [pine: factory prefinished [paint] [stain]₁].
 - Exterior grilles are [5/8" putty glaze profile] [7/8" [putty glaze] [ogee] profile] [1-1/4" [putty glaze] [ogee] profile] [2" ogee profile] that are extruded aluminum, finished to match door cladding.
 - Patterns are [Traditional] [Prairie] [Top Row] [Cross] [New England] [Victorian].
 - Insulating glass contains non-glare spacer between the panes of glass.
 - Grilles are adhered to both sides of the insulating glass with VHB acrylic adhesive tape and aligned with the non-glare spacer.

- or -

Grilles-Between-the-Glass 2

- Insulating glass contains 3/4" contoured aluminum grilles permanently installed between two panes of glass (exterior air-space on triple-pane insulating glass).
- Patterns are [Traditional] [Prairie] [Cross] [Top Row]
- Interior color is [White] [Tan₃] [Brown₃] [Putty₃] [Black] [Morning Sky Gray] [Ivory] [Sand Dune] [Harvest] [Cordovan] [Brickstone].
- Exterior color₄ is [Standard]₁.

Screens

- Finish matches exterior cladding.
- Hinged Insect Screens:
 - Compliance: ASTM D 3656 and SMA 1201.
 - Screen Cloth: InView™ Vinyl-coated fiberglass, 18/18 mesh fiberglass screen cloth complying with the performance requirements of SMA 1201.
 - Extruded-aluminum frame, hinged to door frame.
 - Complete with necessary hardware.
 - Hardware Color: [White] [Tan] [Brown] [Matte Black].

- or -
- Exterior Sliding Insect Screens:
 - Compliance: ASTM D 3656 and SMA 1201.
 - Screen Cloth: InView™ Vinyl-coated fiberglass, 18/18 mesh fiberglass screen cloth complying with the performance requirements of SMA 1201.
 - Extruded-aluminum frame, top hung on 2 adjustable nylon rollers.
 - Complete with necessary hardware.
 - Hardware Color: [White] [Tan] [Brown] [Matte Black].

(1) Contact your local Pella sales representative for current color options.

(2) Available in clear or Low-E insulating glass only.

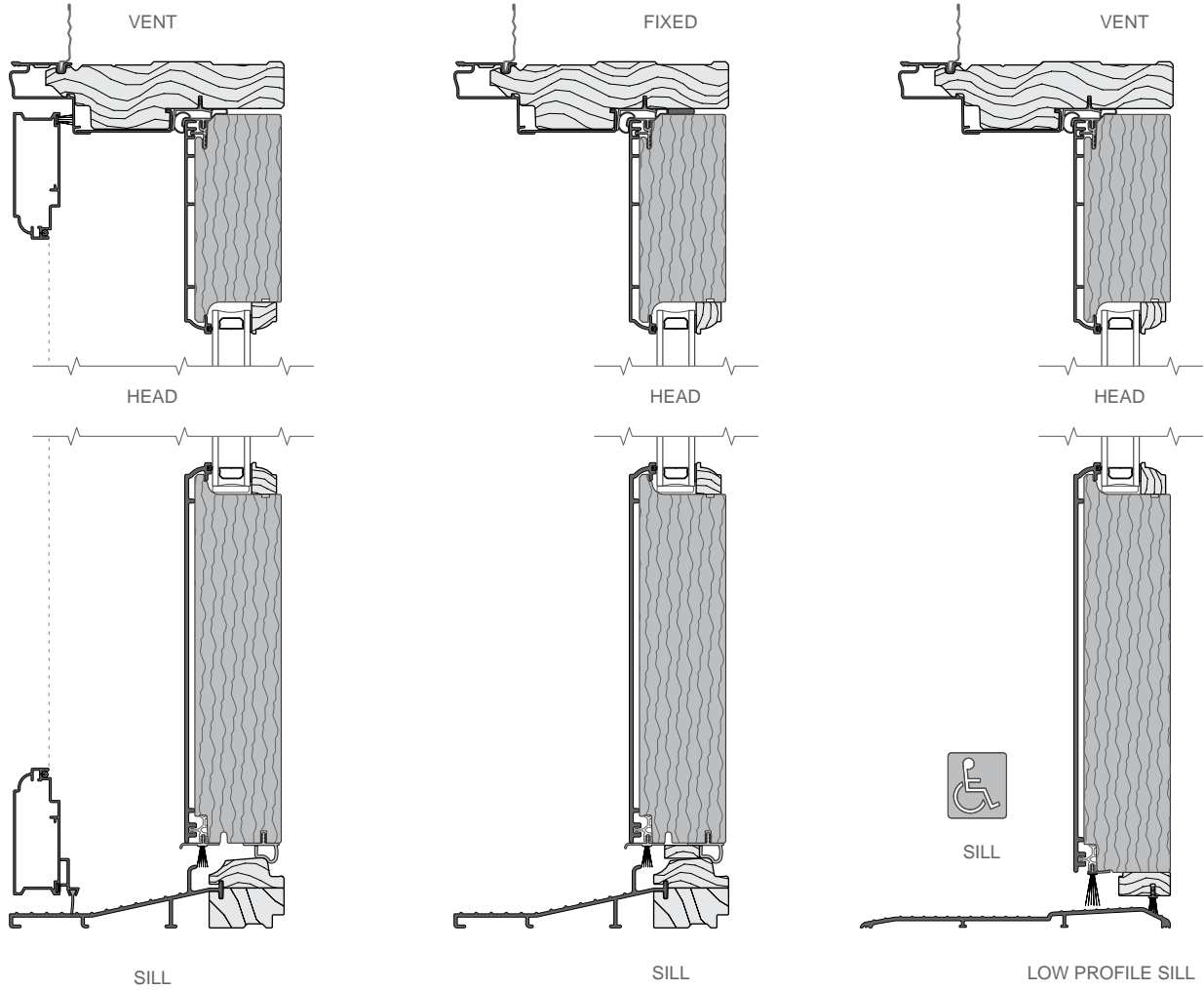
(3) Tan, Brown or Putty Interior GBG colors are available in single-tone (Brown/Brown, Tan/Tan or Putty/Putty). Other interior colors are also available with Tan or Brown exterior.



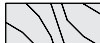
(4) Appearance of exterior grille color will vary depending on Low-E coating on glass.



Impact-Resistant In-Swing Door

Unit Sections - Wood Collection



-  Solid Mahogany
-  Core with Mahogany Veneer
-  Painted Pine

Scale 3" = 1' 0"

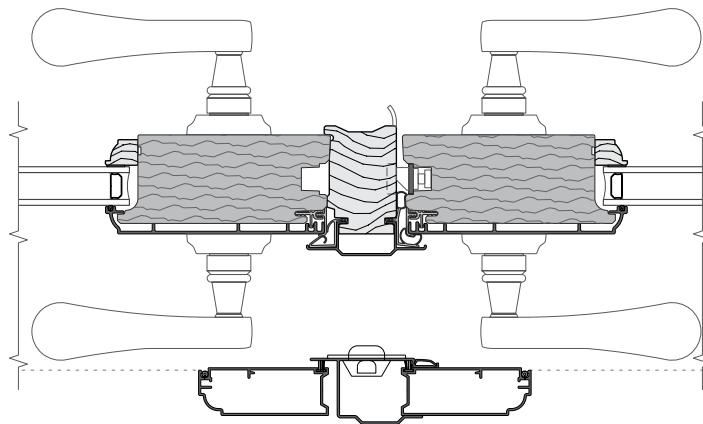
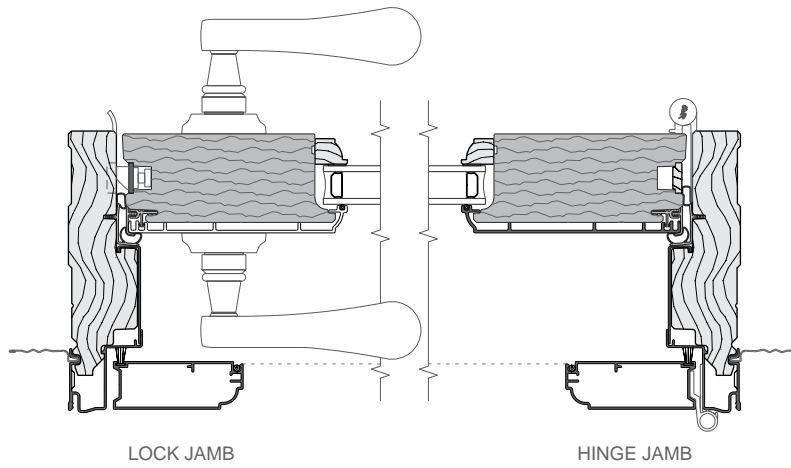
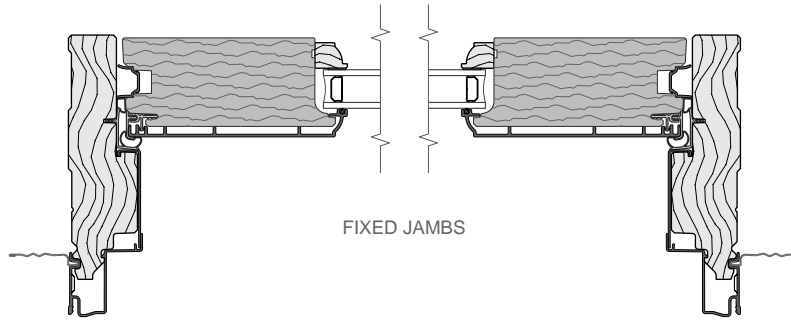
Water resistance is 0 psf for doors with low profile sill



Standard insulating glass shown. Impact-Resistant Laminated glazing is similar.



Impact-Resistant In-Swing Door

Unit Sections - Wood Collection



-  Solid Mahogany
-  Core with Mahogany Veneer

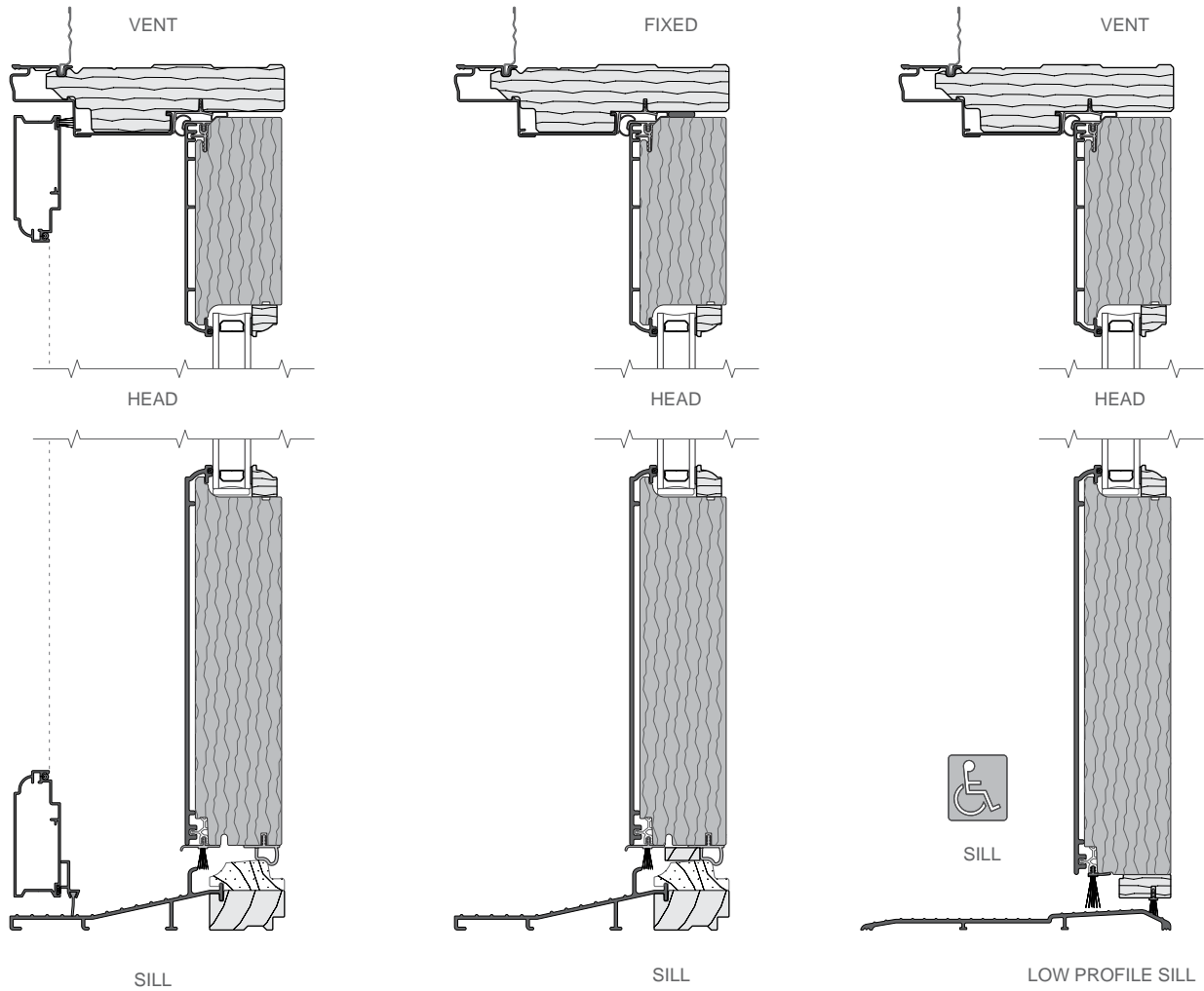
Scale 3" = 1' 0"

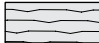


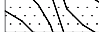
Standard insulating glass shown. Impact-Resistant Laminated glazing is similar, see following pages for glass details.



Impact-Resistant In-Swing Door

Unit Sections - Wood Collection



-  Alder, Douglas Fir or Pine
-  Core with Alder, Douglas Fir or Pine Veneer
-  Solid Pine
-  Oak

Scale 3" = 1' 0"

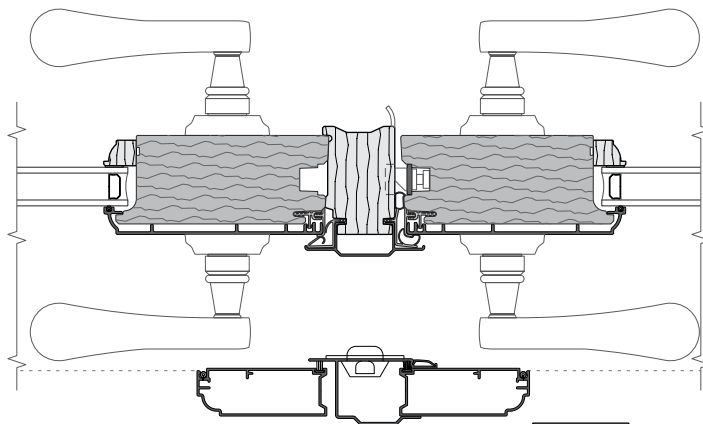
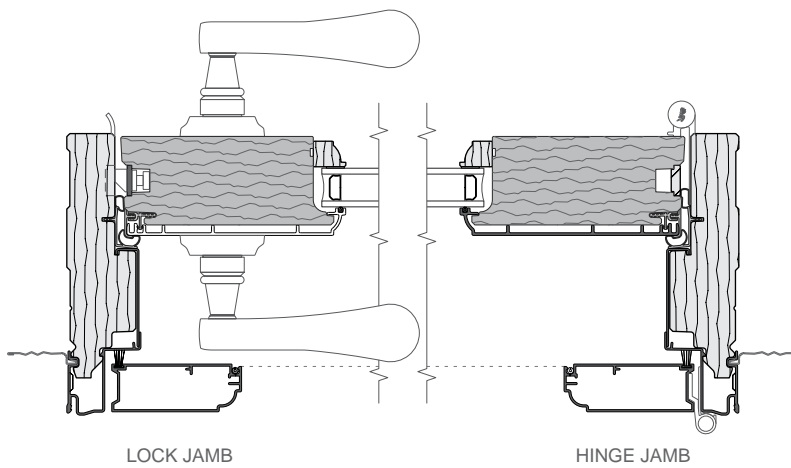
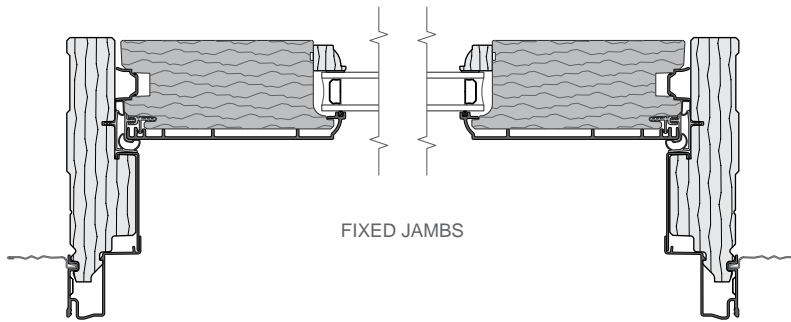
Water resistance is 0 psf for doors with low profile sill




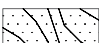
Standard insulating glass shown. Impact-Resistant Laminated glazing is similar, see following pages for glass details.



Impact-Resistant In-Swing Door

Unit Sections - Wood Collection



-  Alder, Douglas Fir or Pine
-  Core with Alder, Douglas Fir or Pine Veneer
-  Solid Pine
-  Oak

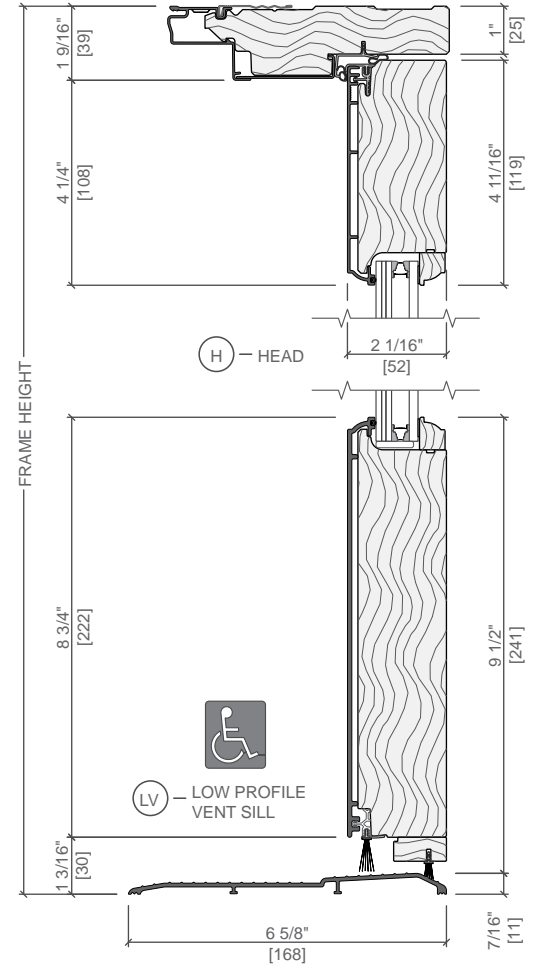
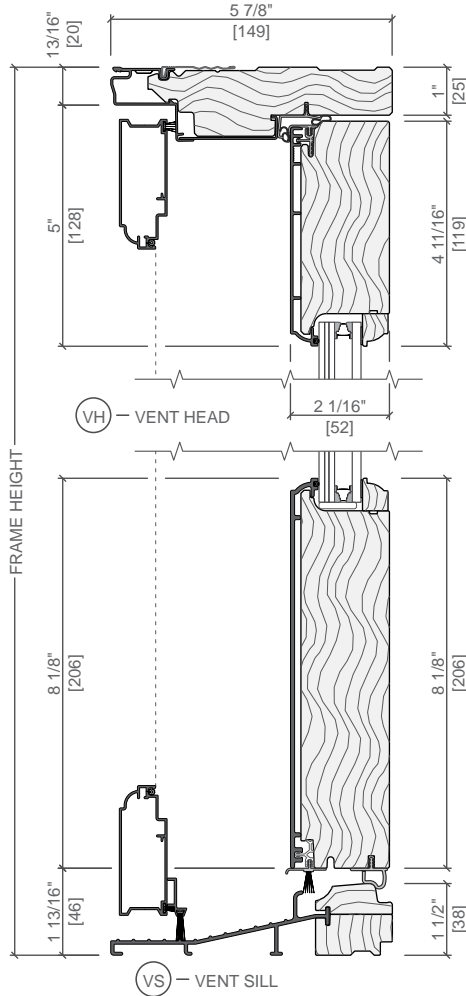
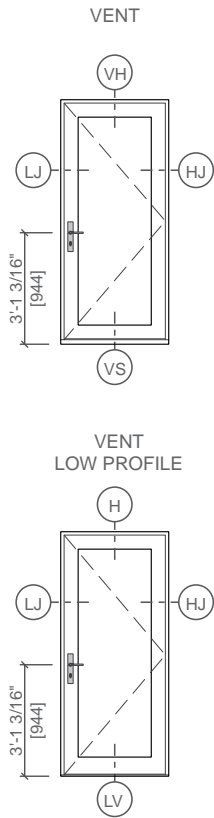
Scale 3" = 1' 0"

Standard insulating glass shown. Impact-Resistant Laminated glazing is similar, see following pages for glass details.

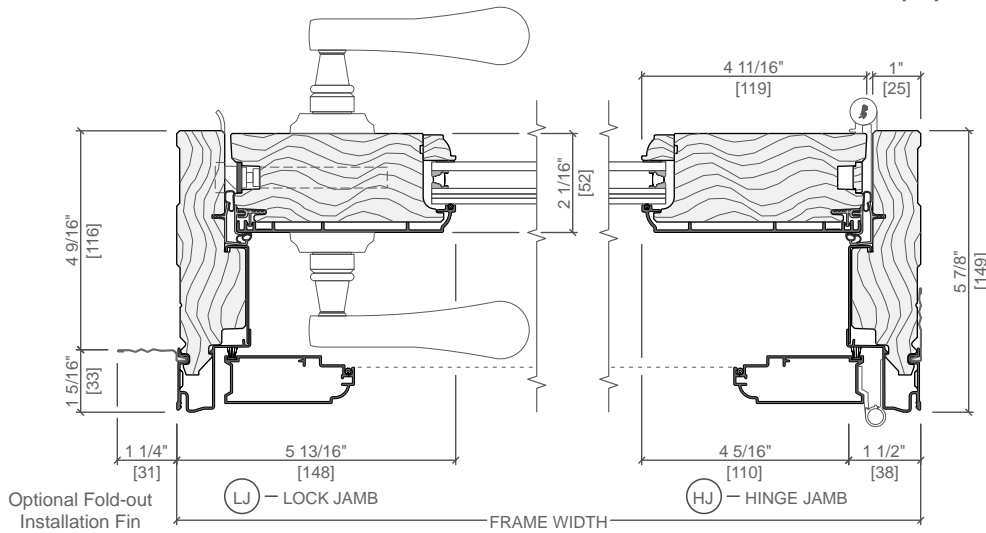


Impact-Resistant In-Swing Door

Unit Sections - 7/8" Laminated Glass



Handle Height Dimension shown is from bottom of unit frame to door handle. Installation method used and finished flooring conditions will cause handle height to vary. Doors not using the standard Pella multi-point lock and hardware (specified as 'No lock/No Bore') are not Hallmark certified.



Scale 3" = 1' 0"

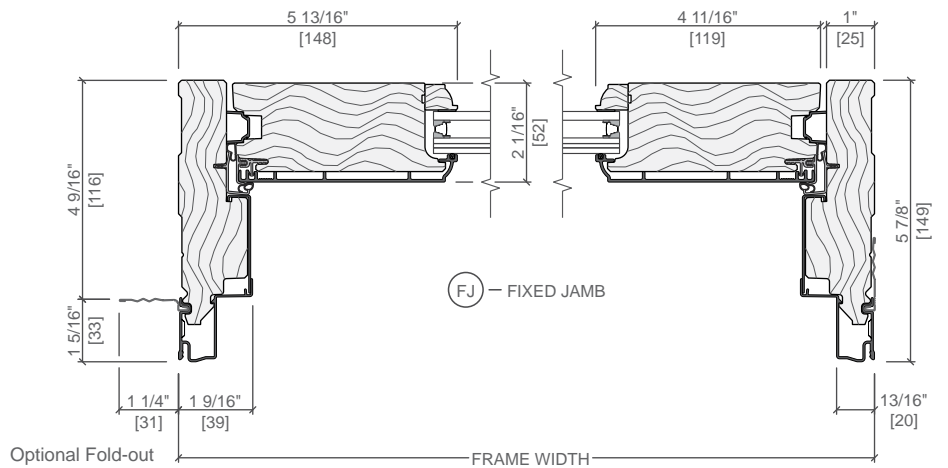
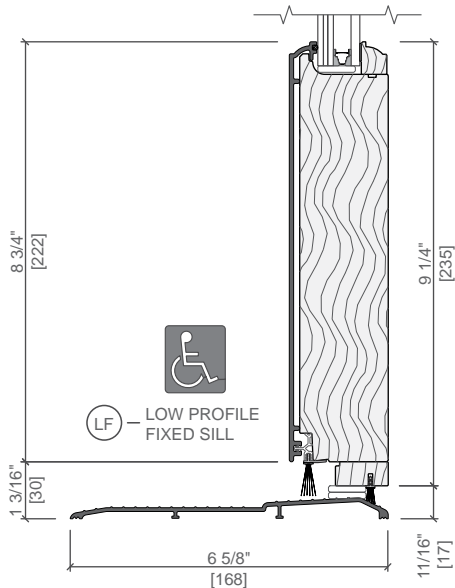
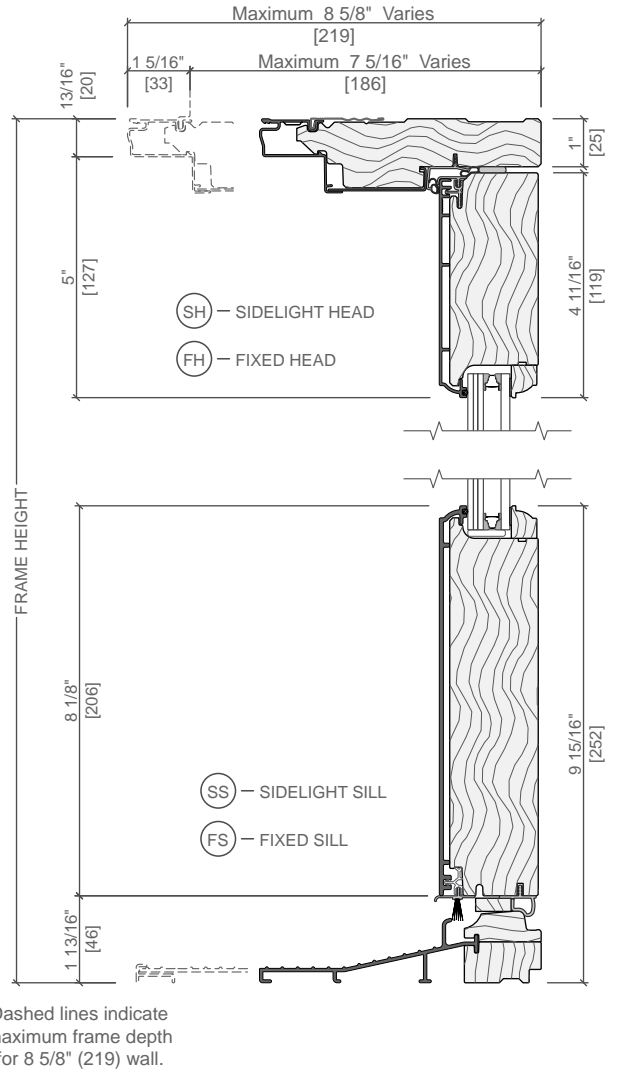
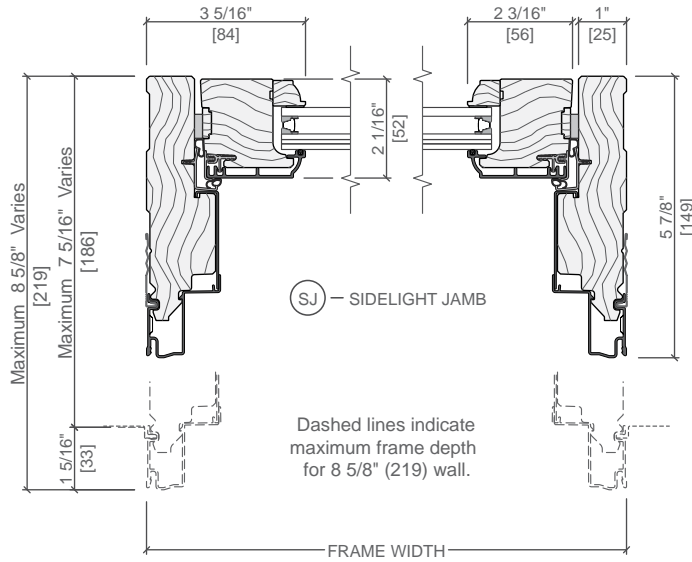
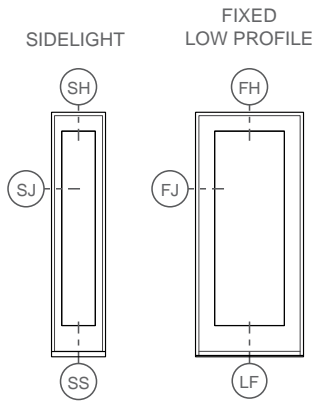
All dimensions are approximate.

Water resistance is 0 psf for doors with low profile sill



Impact-Resistant In-Swing Door

Unit Sections - 7/8" Laminated Glass



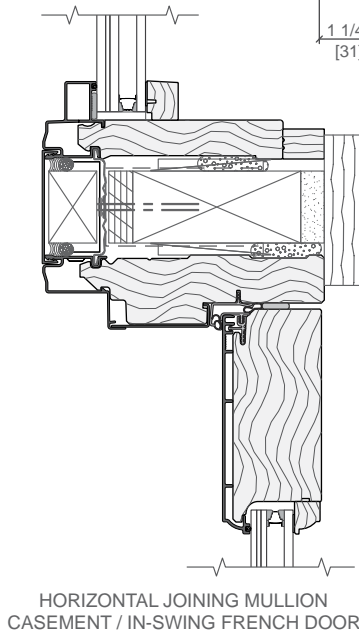
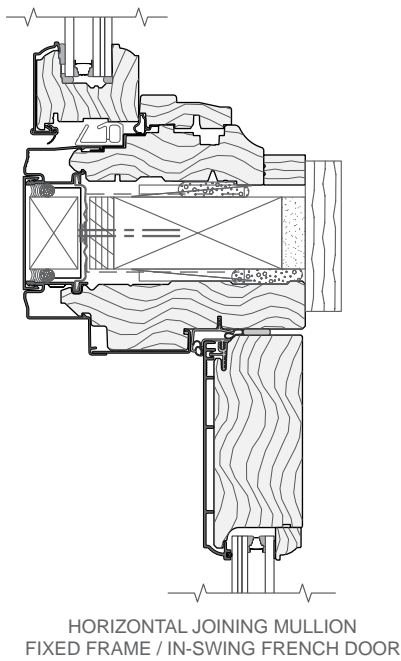
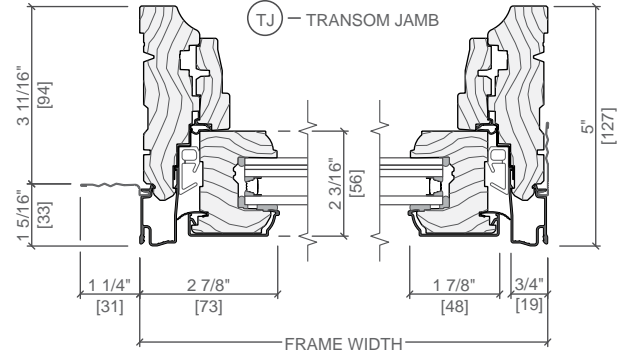
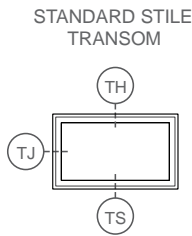
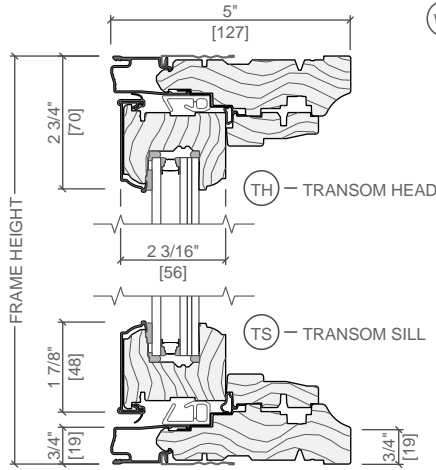
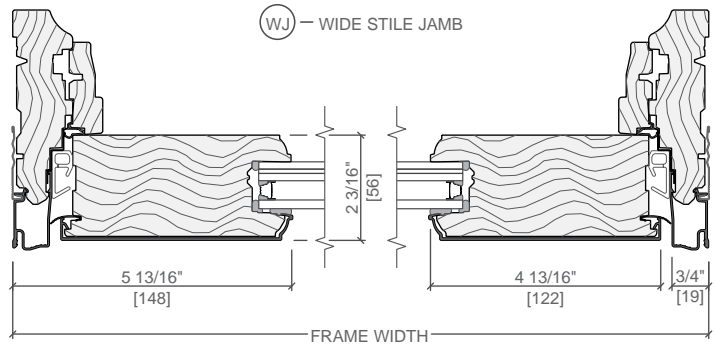
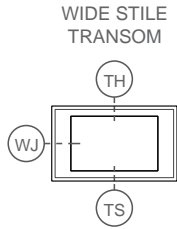
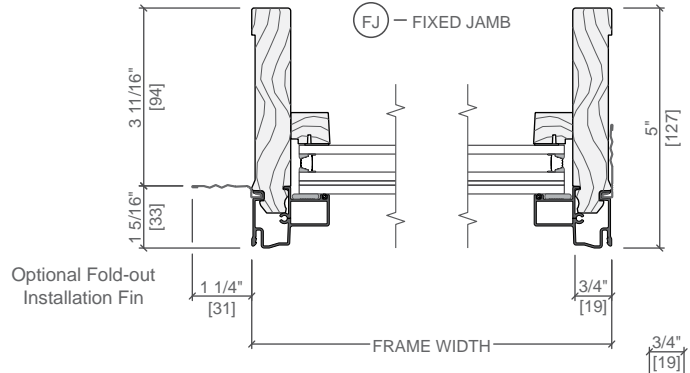
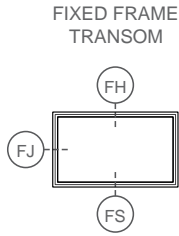
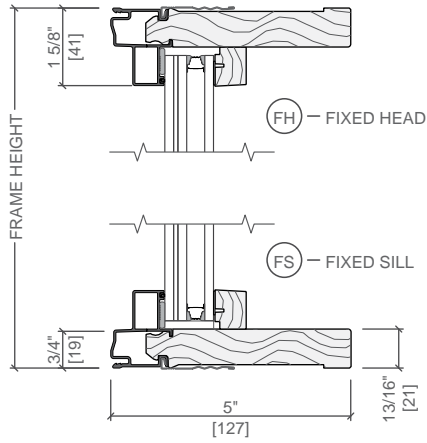
Scale 3" = 1' 0" All dimensions are approximate.

Water resistance is 0 psf for doors with low profile sill



Impact-Resistant In-Swing Door

Unit Sections - 7/8" Laminated Glass



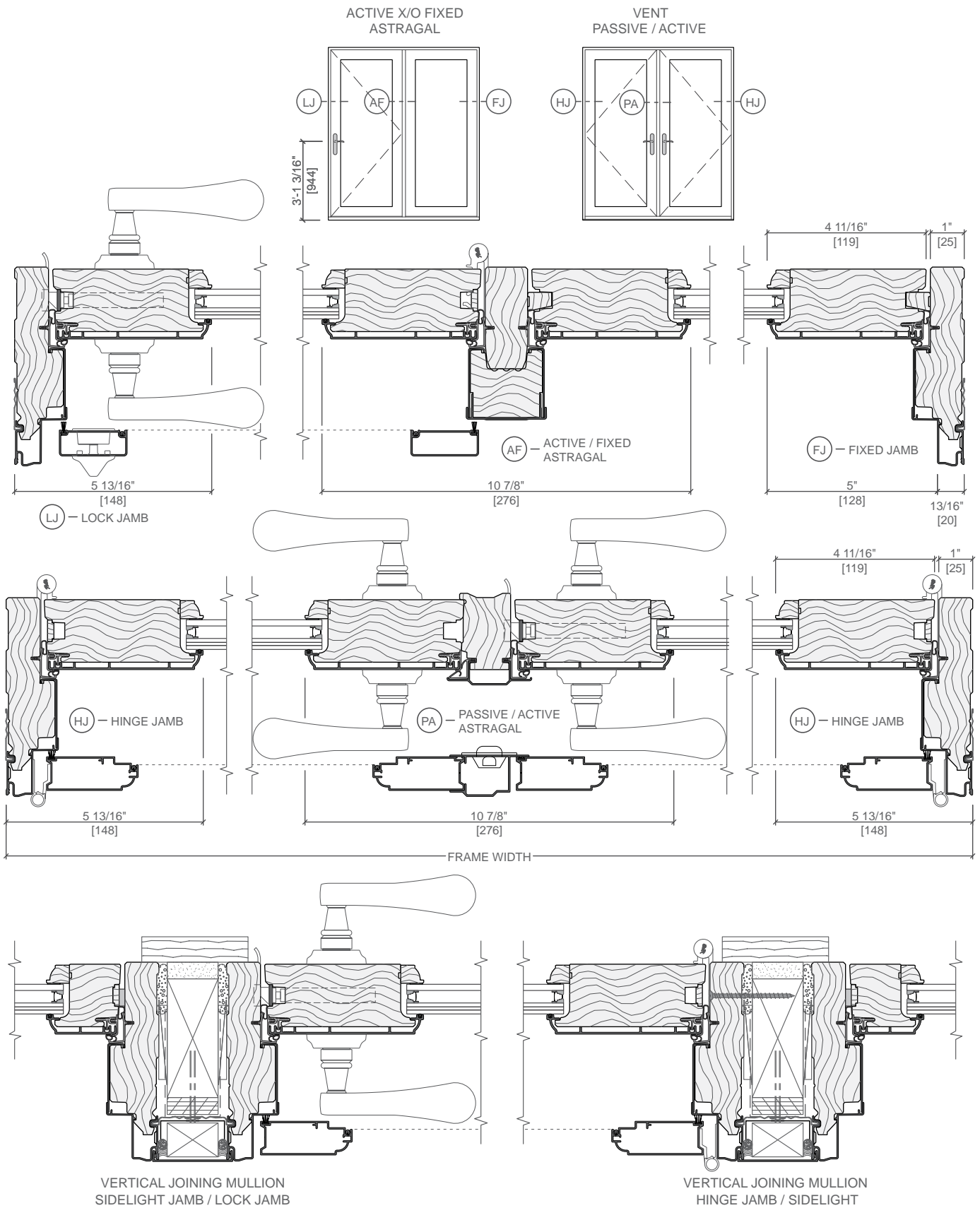
Scale 3" = 1' 0"

All dimensions are approximate.



Impact-Resistant In-Swing Door

Unit Sections - 7/8" Laminated Glass



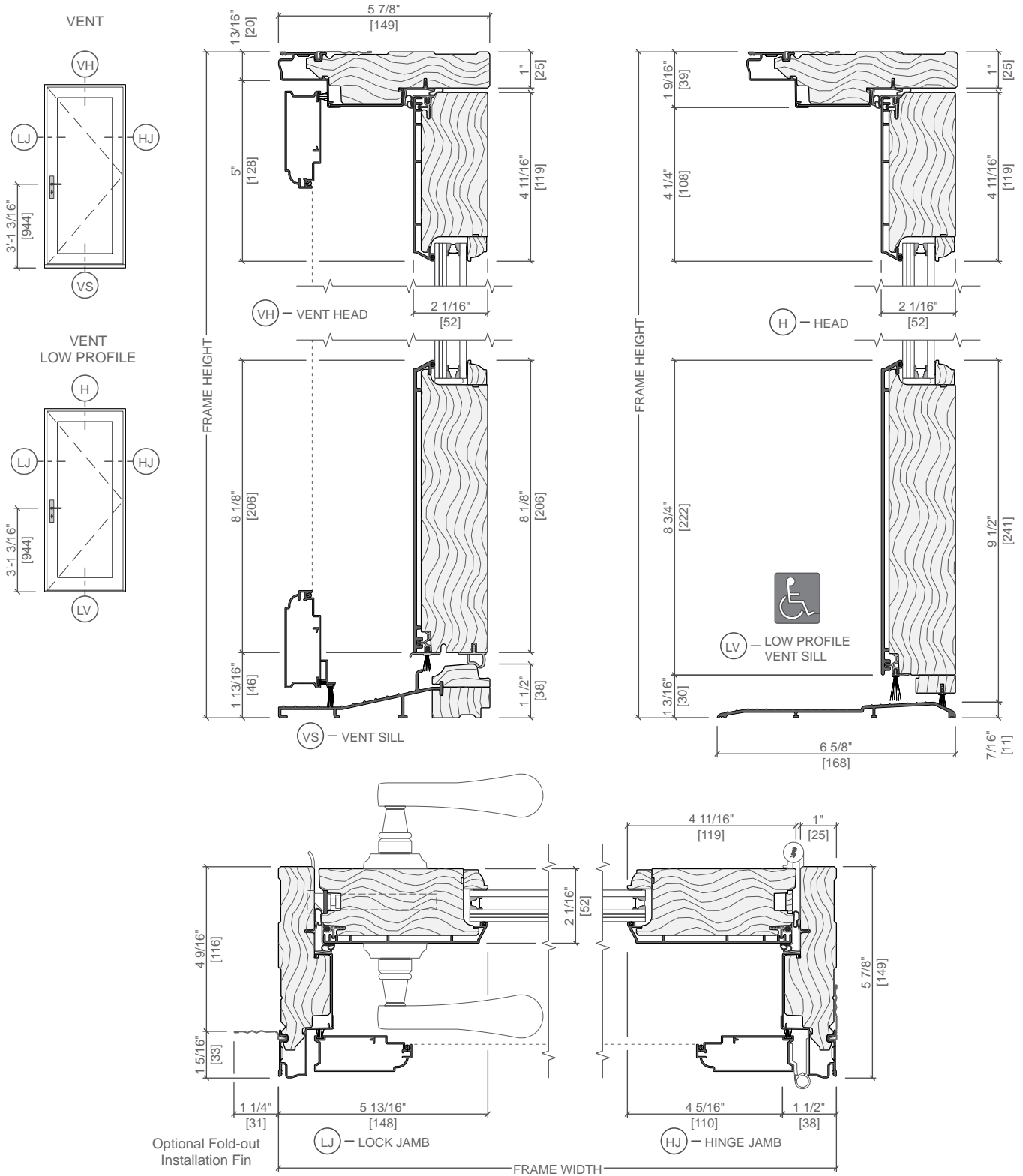
Scale 3" = 1' 0" All dimensions are approximate.

Water resistance is 0 psf for doors with low profile sill



Impact-Resistant In-Swing Door

Unit Sections - 7/8" Laminated Glass, Putty glaze profile



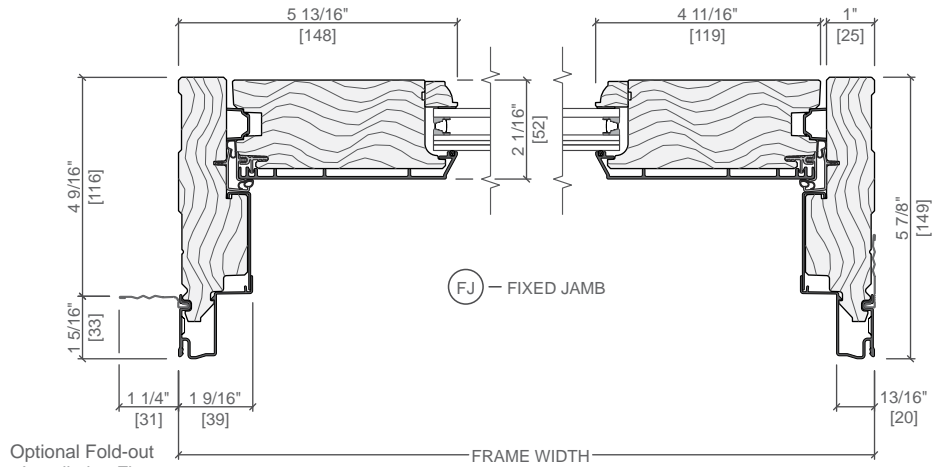
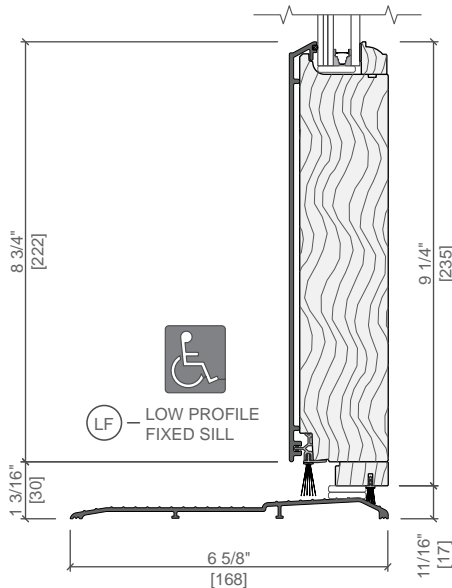
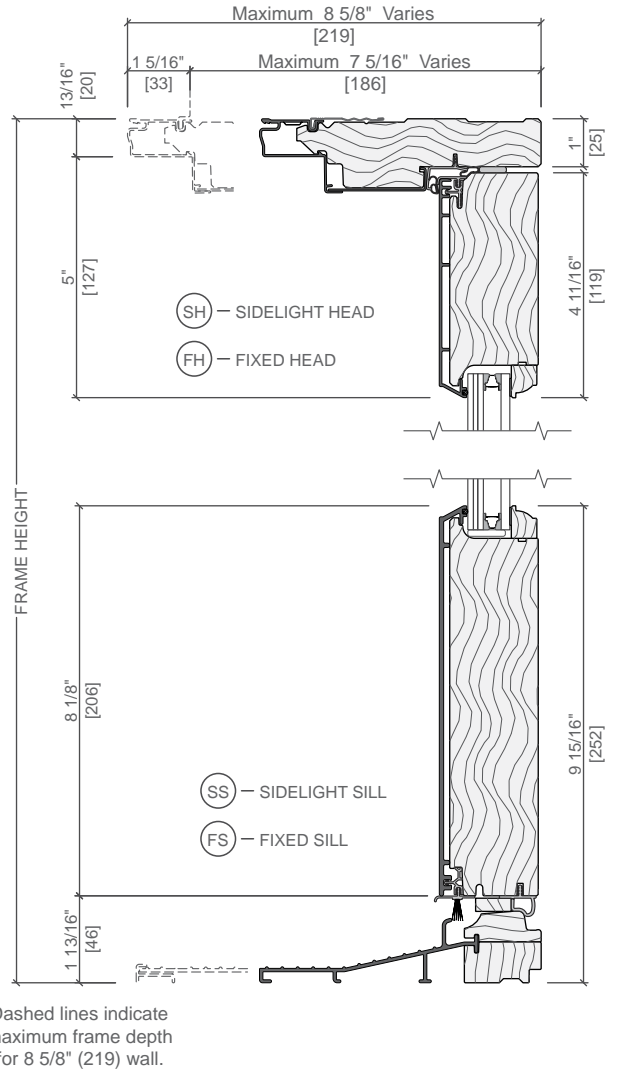
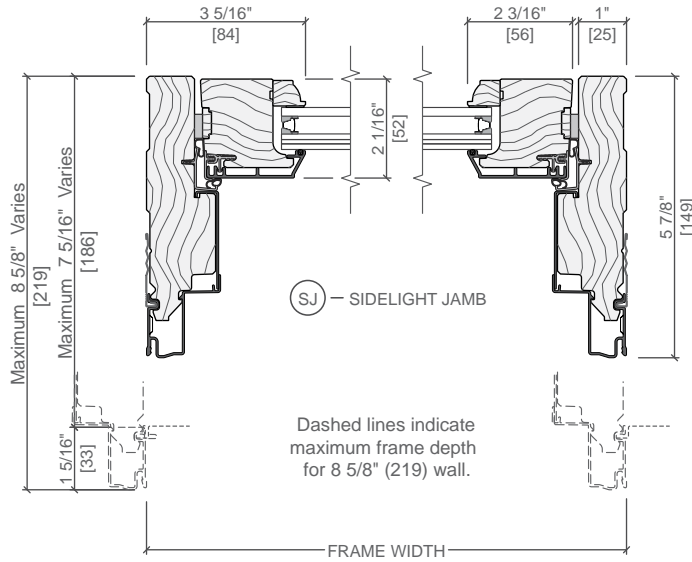
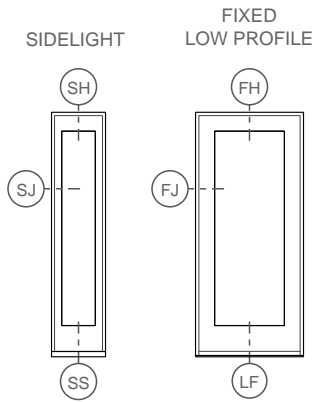
Scale 3" = 1' 0" All dimensions are approximate.

Water resistance is 0 psf for doors with low profile sill



Impact-Resistant In-Swing Door

Unit Sections - 7/8" Laminated Glass, Putty glaze profile



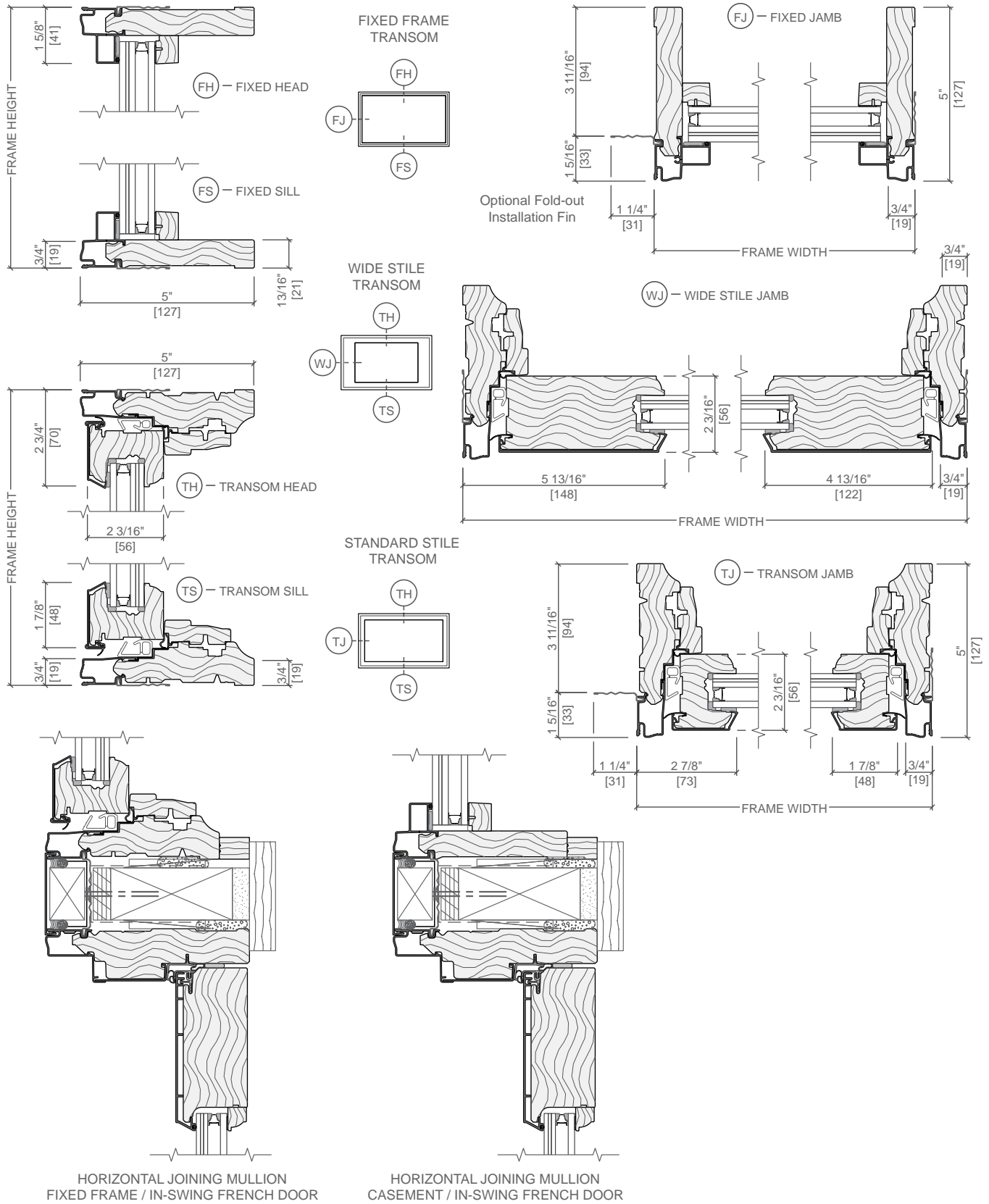
Scale 3" = 1' 0" All dimensions are approximate.

Water resistance is 0 psf for doors with low profile sill



Impact-Resistant In-Swing Door

Unit Sections - 7/8" Laminated Glass, Putty glaze profile



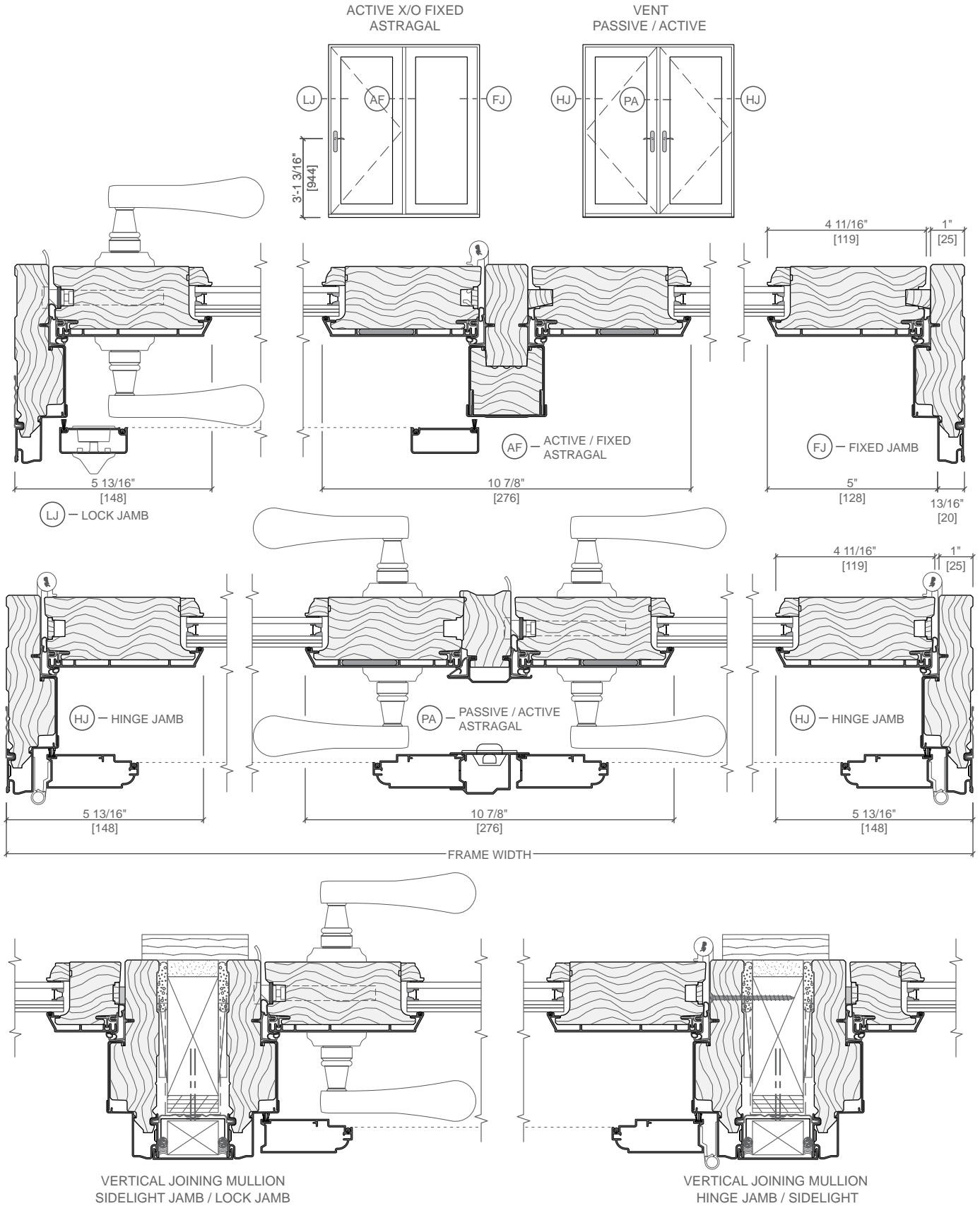
Scale 3" = 1' 0" All dimensions are approximate.

Water resistance is 0 psf for doors with low profile sill



Impact-Resistant In-Swing Door

Unit Sections - 7/8" Laminated Glass, Putty glaze profile



Scale 3" = 1' 0" All dimensions are approximate.

Water resistance is 0 psf for doors with low profile sill