



Product Selection Guide

Size and Performance Data.....OS-IR-2

Sound Transmission Class and Outdoor-Indoor Transmission Class.....OS-IR-2

Glazing PerformanceOS-IR-3

Grilles.....OS-IR-4

Size TablesOS-IR-6

Design DataOS-IR-10

Detailed Product Descriptions

Architect Series® TraditionalOS-IR-14

Pella® Reserve™ Traditional.....OS-IR-15

Unit Sections

Wood CollectionOS-IR-16

7/8" Laminated Glass.....OS-IR-18

Supporting documents for this product:

CSI Specs (readable using Microsoft Word or other text editing application):

https://media.pella.com/professional/adm/Wood-CSI_Specs/08213-HIG.rtf

AIA Masterspec (readable using Microsoft Word or other text editing application):

https://media.pella.com/professional/adm/Wood-CSI_Specs/Masterspec/085200_fl.doc

Detailed Product Description (readable using Microsoft Word or other text editing application):

Pella Reserve Traditional: <https://media.pella.com/professional/adm/Clad-Wood/PR-ImpactResistant-OutSwingDoor-C.rtf>

Pella Architect Series: <https://media.pella.com/professional/adm/Clad-Wood/AST-ImpactResistant-OutSwingDoor-C.rtf>

Size Tables (requires appropriate CAD software to read and use):

https://media.pella.com/professional/adm/Clad-Wood/ASR-OF-Elev_D.dwg

CAD cross sections (requires appropriate CAD software to read and use):

https://media.pella.com/professional/adm/Clad-Wood/ASR-OF-Details_D.dwg

3D & BIM (requires appropriate software to read and use):

<https://media.pella.com/professional/adm/RevitFiles/PR-Revit/Door-Out-Swing-Pella-Reserve-Traditional.zip>

Sketchup (requires appropriate software to read and use):

https://media.pella.com/professional/adm/Clad-Wood/PellaSKP_PellaReserve_Traditional_Hinged_Door_Out-Swing.zip

Installation Details:

https://media.pella.com/professional/adm/Clad-Wood/F_InstallationDetails.pdf

The information published in this document is believed to be accurate at the time of publication. However, because we are constantly working to improve our products, specifications are subject to change without notice. Consult your local Pella representative for up-to-date product information.

Microsoft and Microsoft Word are registered trademarks of Microsoft Corp.



Impact-Resistant Out-Swing Door

Size and Performance Data

Sizes	Clad
Standard Door Sizes	●
Standard Sidelight Sizes	●
Standard Transom Sizes – Fixed Frame Direct Set, Wide Stile Casement	●
Special Sizes	●
Single-Swing Single Door Width	
2' 2", 2' 6", 2' 10", 3' 0", 3' 2"	●
Double-Swing Door Width (Active-Inactive or Inactive-Active)	
4' 2", 5' 0", 5' 7", 6' 0", 6' 3"	●
Door Heights	
6' 7-1/2", 6' 10", 7' 2", 8' 0", 10' 0"	●

Additional Performance data		Clad
Doors 8' Tall and Under	Impact-Resistant Glass	
	Meets or Exceeds AAMA/WDMA Ratings	LC70 Hallmark Certified
	Air Infiltration (cfm/ft ² of frame @ 1.57 psf wind pressure)	0.15
	Water Resistance	10.66 psf
	Design Pressure	70 psf
Doors over 8' Tall up to 10'	Impact-Resistant Glass	
	Meets or Exceeds AAMA/WDMA Ratings	LC50 Hallmark Certified
	Air Infiltration (cfm/ft ² of frame @ 1.57 psf wind pressure)	0.15
	Water Resistance	7.52 psf
	Design Pressure	50 psf

Sound Transmission Class / Outdoor-Indoor Transmission Class

Product	Frame Size Tested ₃	Glazing System			STC Rating	OITC Rating
		Overall Glazing Thickness	Exterior Glass Thickness	Interior Glass Thickness		
Clad Out-Swing Door Impact-Resistant Laminated Glazing	Without Grilles					
	71-1/4" x 81-1/2" (Passive-Active)	7/8"	8.6mm PVB	4.7mm	34	30

(-) = Not Applicable

(1) Maximum performance for single unit when glazed with the appropriate glass thickness. Doors supplied without latching hardware are not AAMA/WDMA performance certified. See Design Data pages in this section for specific product performance class and grade values.

(2) The higher the level, the greater the product's ability to resist forced entry. Valid only if Pella supplied locking system is used.

(3) ASTM E 1425 defines standard sizes for acoustical testing. Ratings achieved at that size are representative of all sizes of the same configuration.



Impact-Resistant Out-Swing Door

Glazing Performance – Total Units

Glazing Thickness	Type of Glazing	NFRC Certified Product #	Glass (mm)		Gap Fill	Performance Values ¹				Shaded Areas Meet ENERGY STAR® Performance Criteria in Zones Shown						
			Ext.	Int.		U-Factor	SHGC	VLT	CR	U. S.			Canada ²			
										Zone			ER	Zone		
Dual-Pane Laminated Impact-Resistant Glazing - Aluminum-Clad Exterior										N	NC	SC	S	CA		
7/8"	Clear IG PVB	PEL-N-212-06945-00001	8	5	air	0.41	0.39	0.44	44							
	with grilles-between-the-glass	PEL-N-212-06946-00001				0.41	0.33	0.38	44							
	with integral grilles	PEL-N-212-06947-00001				0.42	0.33	0.38	44							
7/8"	Advanced Low-E IG PVB	PEL-N-212-06949-00001	8	5	argon	0.29	0.21	0.38	59							
	with grilles-between-the-glass	PEL-N-212-06950-00001				0.30	0.19	0.33	59							
	with integral grilles	PEL-N-212-06951-00001				0.30	0.19	0.33	59							
7/8"	SunDefense™ Low-E IG	PEL-N-212-06953-00001	8	5	argon	0.28	0.17	0.35	59			SC	S			
	with grilles-between-the-glass	PEL-N-212-06954-00001				0.30	0.15	0.30	59							
	with integral grilles	PEL-N-212-06955-00001				0.30	0.15	0.30	59							
Dual-Pane Tinted Laminated Impact-Resistant Glazing - Aluminum-Clad Exterior																
7/8"	Bronze IG PVB	PEL-N-212-06957-00001	8	5	air	0.41	0.26	0.18	44							
	with grilles-between-the-glass	PEL-N-212-06958-00001				0.41	0.23	0.15	44							
	with integral grilles	PEL-N-212-06959-00001				0.40	0.23	0.15	44							
7/8"	Gray IG PVB	PEL-N-212-06961-00001	8	5	air	0.41	0.29	0.21	44							
	with grilles-between-the-glass	PEL-N-212-06962-00001				0.41	0.25	0.18	44							
	with integral grilles	PEL-N-212-06963-00001				0.40	0.25	0.18	44							
7/8"	Green IG PVB	PEL-N-212-06965-00001	8	5	air	0.41	0.35	0.36	44							
	with grilles-between-the-glass	PEL-N-212-06966-00001				0.41	0.30	0.31	44							
	with integral grilles	PEL-N-212-06967-00001				0.40	0.30	0.31	44							

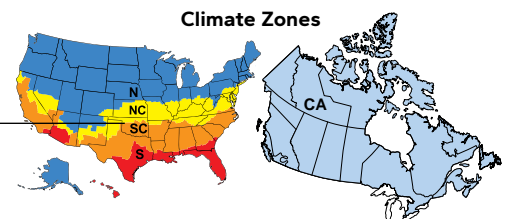
R-Value = 1/U-Factor
 SHGC = Solar Heat Gain Coefficient
 VLT % = Visible Light Transmission
 CR = Condensation Resistance
 ER = Canadian Energy Rating

(1) Glazing performance values are calculated based on NFRC 100, NFRC 200 and NFRC 500. ENERGY STAR® values are updated to 2023 (Version 7) criteria.

(2) The values shown are based on Canada's updated ENERGY STAR® 2020 initiative.

U-Factor values shown are based on a standard sill and pine interior.

Visit www.energystar.gov for Energy Star guidelines.



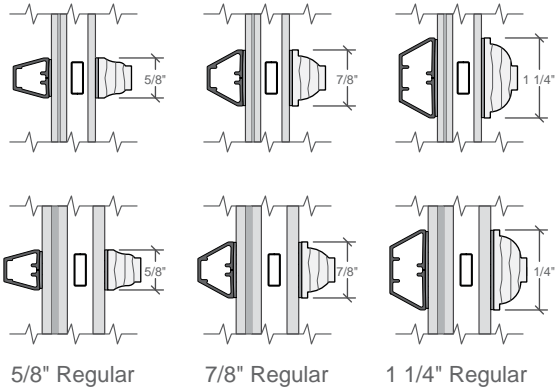


Grille Profiles

Traditional Style Collection - Integral Light Technology

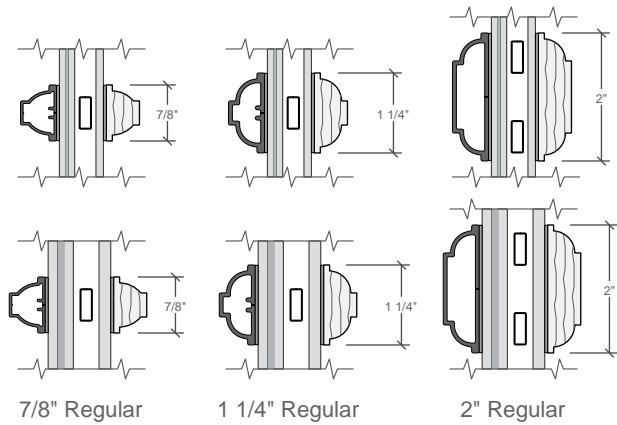
Putty Glaze and Ogee Grilles

Clad Exterior - Wood Interior

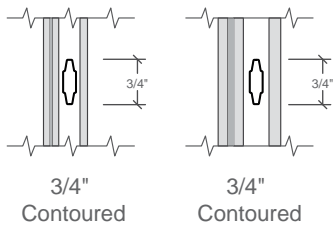


Ogee Grilles

Clad Exterior - Wood Interior



Grilles-Between-the-Glass



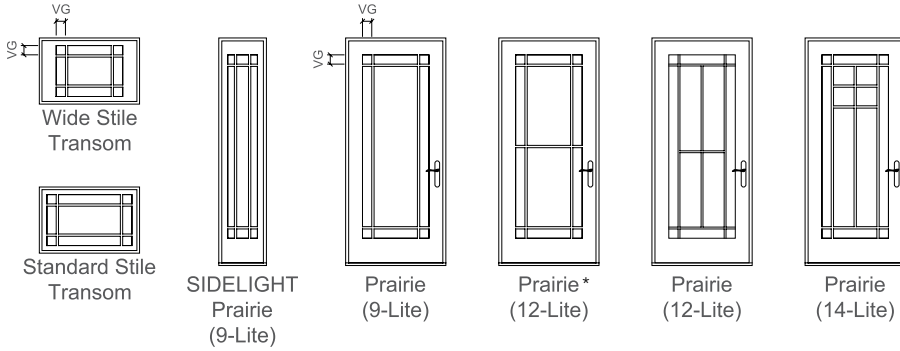
Interior wood ILT grilles available in Pine, Mahogany or Douglas Fir to match complete unit.



Grille Patterns

Integral light Technology® Grilles

Prairie Lite



All sidelights and transoms will have 9 lights.
Standard corner lite dimension for Prairie patterns = 3-1/2" VG.

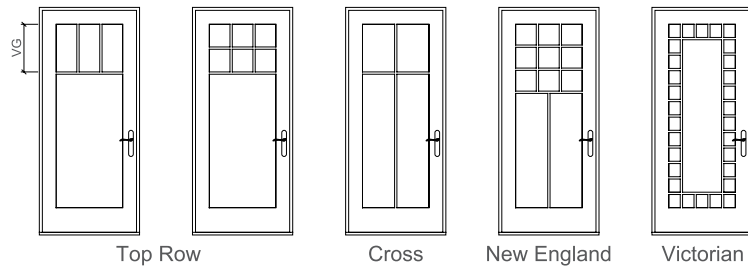
Integral Light Technology Grilles

- 9-Lite available in all standard and special sizes.
- 12-Lite available at 8' height; other heights available per custom drawing.
- 14-Lite available in units > 2' 1-1/2" width.

Removable Grilles

- 9-Lite available in units < 7' 0-1/2" height.
- * Prairie in heights > 7' 0-1/4" will have 12 Lites.

Other Available Integral Light Technology Grilles



Top Row

- Standard visible glass to separator bar = 14" or half of total visible glass height, whichever is smaller.

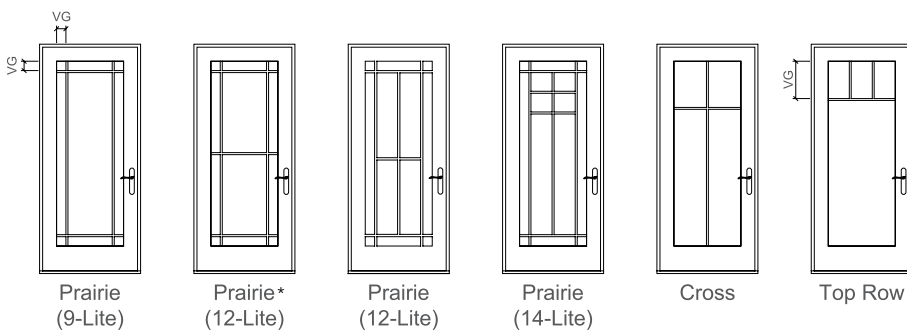
Cross

- Standard visible glass to separator bar = one-quarter of total visible glass height.

New England

- Standard visible glass to separator bar = half of total visible glass height.

Grilles-Between-the-Glass



Prairie

- Standard corner lite dimension = 3-1/2" VG.
- 9-Lite available in units < 7' 0-3/4" height.
- * Prairie in heights > 7' 0-1/2" will have 12 lites.
- 12-Lite available in units ≤ 7' 2" height.

Cross

- Horizontal bar is 1/4 of visible glass from the top in door panels.
- Not available in transoms.

Top Row

- Horizontal bar may be ordered 12", 14" or 16" from the top VG.
- Transoms with frame heights ≥ 21", the horizontal bar will be positioned at 1/2 the visible glass height.
- Top Row not available in transoms with frame height < 21".

For traditional patterns, see size tables.

VG = Visible Glass

Lite dimensions noted can vary.

For size and pattern availability contact your local Pella sales representative.




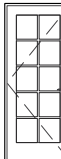

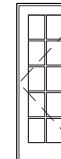


Impact-Resistant Out-Swing Door

Size Tables


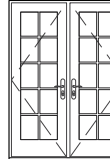
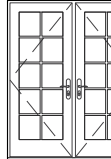


6' 7 1/2" Single Doors and Sidelight

Opening	1' 6 3/4" (476)	2' 2 1/8" (664)	2' 6 3/4" (781)	2' 10 1/4" (870)	3' 0 3/4" (933)	3' 2 5/8" (981)
Frame	1' 6" (457)	2' 1 3/8" (645)	2' 6" (762)	2' 9 1/2" (851)	3' 0" (914)	3' 1 7/8" (962)

(2 032) (2 019)	6' 8"	6' 7 1/2"						
			SIDELIGHT 1880	LEFT 2680	LEFT 3080	LEFT 3480	LEFT 3680	LEFT 3880

6' 7 1/2" Double-Swing Doors

Opening	4' 2 3/4" (1 289)	5' 0" (1 524)	5' 7" (1 702)	6' 0" (1 829)	6' 3 3/4" (1 924)
Frame	4' 2" (1 270)	4' 11 1/4" (1 505)	5' 6 1/4" (1 682)	5' 11 1/4" (1 810)	6' 3" (1 905)

(2 032) (2 019)	6' 8"	6' 7 1/2"					
			ACTIVE-PASSIVE 5080	ACTIVE-PASSIVE 6080	ACTIVE-PASSIVE 6780	ACTIVE-PASSIVE 7280	ACTIVE-PASSIVE 7580

Not to scale

Traditional grille patterns shown. Refer to the Grille Types section for additional patterns and profiles.

All doors and sidelights are glazed with tempered glass.

For windows and patio doors with impact-resistant glass, see product instructions or refer to local building code requirements.

Single doors - Left-hand shown. Right-hand and fixed are available.

Double-swing doors - Active-Passive shown. Passive-Active also available.



Impact-Resistant Out-Swing Door

Size Tables

6' 10" Single Doors and Sidelight

Opening	1' 6 3/4" (476)	2' 2 1/8" (664)	2' 6 3/4" (781)	2' 10 1/4" (870)	3' 0 3/4" (933)	3' 2 5/8" (981)
Frame	1' 6" (457)	2' 1 3/8" (645)	2' 6" (762)	2' 9 1/2" (851)	3' 0" (914)	3' 1 7/8" (962)

6' 10" Double-Swing Doors

Opening	4' 2 3/4" (1 289)	5' 0" (1 524)	5' 7" (1 702)	6' 0" (1 829)	6' 3 3/4" (1 924)
Frame	4' 2" (1 270)	4' 11 1/4" (1 505)	5' 6 1/4" (1 682)	5' 11 1/4" (1 810)	6' 3" (1 905)

7' 2" Single Doors and Sidelight

Opening	1' 6 3/4" (476)	2' 2 1/8" (664)	2' 6 3/4" (781)	2' 10 1/4" (870)	3' 0 3/4" (933)	3' 2 5/8" (981)
Frame	1' 6" (457)	2' 1 3/8" (645)	2' 6" (762)	2' 9 1/2" (851)	3' 0" (914)	3' 1 7/8" (962)

7' 2" Double-Swing Doors

Opening	4' 2 3/4" (1 289)	5' 0" (1 524)	5' 7" (1 702)	6' 0" (1 829)	6' 3 3/4" (1 924)
Frame	4' 2" (1 270)	4' 11 1/4" (1 505)	5' 6 1/4" (1 682)	5' 11 1/4" (1 810)	6' 3" (1 905)

Not to scale

Traditional grille patterns shown. Refer to the Grille Types section for additional patterns and profiles.

All doors and sidelights are glazed with tempered glass.

For windows and patio doors with impact-resistant glass, see product instructions or refer to local building code requirements.

Single doors - Left-hand shown. Right-hand and fixed are available.

Double-swing doors - Active-Passive shown. Passive-Active also available.



Impact-Resistant Out-Swing Door

Size Tables

8' 0" Single Doors and Sidelight

Opening	1' 6 3/4" (476)	2' 2 1/8" (664)	2' 6 3/4" (781)	2' 10 1/4" (870)	3' 0 3/4" (933)	3' 2 5/8" (981)
Frame	1' 6" (457)	2' 1 3/8" (645)	2' 6" (762)	2' 9 1/2" (851)	3' 0" (914)	3' 1 7/8" (962)

8' 0" Double-Swing Doors

Opening	4' 2 3/4" (1 289)	5' 0" (1 524)	5' 7" (1 702)	6' 0" (1 829)	6' 3 3/4" (1 924)
Frame	4' 2" (1 270)	4' 11 1/4" (1 505)	5' 6 1/4" (1 682)	5' 11 1/4" (1 810)	6' 3" (1 905)

10' 0" Single Doors

Opening	2' 2 1/8" (664)	2' 6 3/4" (781)	2' 10 1/4" (870)	3' 0 3/4" (933)	3' 2 5/8" (981)
Frame	2' 1 3/8" (645)	2' 6" (762)	2' 9 1/2" (851)	3' 0" (914)	3' 1 7/8" (962)

10' 0" Double-Swing Doors

Opening	4' 2 3/4" (1 289)	5' 0" (1 524)	5' 7" (1 702)	6' 0" (1 829)	6' 3 3/4" (1 924)
Frame	4' 2" (1 270)	4' 11 1/4" (1 505)	5' 6 1/4" (1 682)	5' 11 1/4" (1 810)	6' 3" (1 905)

Not to scale

Traditional grille patterns shown. Refer to the Grille Types section for additional patterns and profiles.

All doors and sidelights are glazed with tempered glass.

For windows and patio doors with impact-resistant glass, see product instructions or refer to local building code requirements.

Single doors - Left-hand shown. Right-hand and fixed are available.

Double-swing doors - Active-Passive shown. Passive-Active also available.



Impact-Resistant Out-Swing Door

Size Tables

Wide Stile Transoms for Single Doors

		Opening	2' 2 1/8" (664)	2' 6 3/4" (781)	2' 10 1/4" (870)	3' 0 3/4" (933)	3' 2 5/8" (981)
		Frame	2' 1 3/8" (645)	2' 6" (762)	2' 9 1/2" (851)	3' 0" (914)	3' 1 7/8" (962)
(451) (432)	1' 5 3/4"						
	1' 5"						
(654) (635)	2' 1 3/4"						
	2' 1"						

Standard Stile Transoms for Single Doors

(451) (432)	1' 5 3/4"					
	1' 5"					
(654) (635)	2' 1 3/4"					
	2' 1"					

Fixed Frame Direct Sets for Single Doors

(451) (432)	1' 5 3/4"					
	1' 5"					
(654) (635)	2' 1 3/4"					
	2' 1"					

Wide Stile Transoms for Double-Swing Doors

		Opening	4' 2 3/4" (1 289)	5' 0" (1 524)	5' 7" (1 702)	6' 0" (1 829)	6' 3 3/4" (1 924)
		Frame	4' 2" (1 270)	4' 11 1/4" (1 505)	5' 6 1/4" (1 682)	5' 11 1/4" (1 810)	6' 3" (1 905)
(451) (432)	1' 5 3/4"						
	1' 5"						
(654) (635)	2' 1 3/4"						
	2' 1"						

Standard Stile Transoms for Double-Swing Doors

(451) (432)	1' 5 3/4"					
	1' 5"					
(654) (635)	2' 1 3/4"					
	2' 1"					

Fixed Frame Direct Sets for Double-Swing Doors

(451) (432)	1' 5 3/4"					
	1' 5"					
(654) (635)	2' 1 3/4"					
	2' 1"					

Not to scale

Traditional grille patterns shown. Refer to the Grille Types section for additional patterns and profiles.

Tempered glass is standard.



Impact-Resistant Out-Swing Door

Special Sizes and Dimensions

	7/8" Insulated Glass PVB
Maximum Performance Grade¹	
Vent units 6' 10" tall and under	+70 / -70
Vent units 8' tall and under	+70 / -70
Vent units over 8' tall up to 10' tall	+50 / -50
Fixed units 6' 10" tall and under	+70 / -70
Fixed units 8' tall and under	+70 / -70
Fixed units over 8' tall up to 10' tall	+50 / -50
Certification	
Hallmark	411-H-1188
FPAS	FL 14302

Special Size Frame Dimensions

Door Type	Frame Width		Frame Height	
	Minimum	Maximum	Minimum	Maximum
Single Door	24"	37-7/8"	76-3/8"	119-1/2"
Double Door	48"	75"	73-3/8"	119-1/2"
Transoms	25-1/4"	75-3/4"	17"	25"

Glass Formulas

	Visible Glass	Actual Glass
Doors	Width (Single Door) = Frame - 11-5/8" Width (Double Door) = (Frame - 22-1/2") ÷ 2 Height = Frame - 15-3/4"	Width (Single Door) = Frame - 10-5/8" Width (Double Door) = (Frame - 20-1/2") ÷ 2 Height = Frame - 14-3/4"
Transoms — Fixed Frame Direct Set	Width = Frame - 3-1/4" Height = Frame - 3-1/4"	Width = Frame - 2" Height = Frame - 2"
Transoms — Fixed Casement	Width = Frame - 5-3/4" Height = Frame - 5-3/4"	Width = Frame - 4-3/4" Height = Frame - 4-3/4"
Transoms — Wide Stile Casement	Width = Frame - 11-5/8" Height = Frame - 5-3/4"	Width = Frame - 10-5/8" Height = Frame - 4-3/4"
Sidelights	Width = Frame - 6-3/4" Height = Frame - 15-3/4"	Width = Frame - 5-3/4" Height = Frame - 14-3/4"

Clear Opening Dimensions

	Width	Height
Clear Opening @ 90°	Width (Double Door-Active Panel) = (Frame ÷ 2) - 5-3/16" Width (Double Door-Both Panels) = (Frame ÷ 2) - 8-3/8" Width (Single Door) = Frame - 5-9/16"	Height = Frame - 3-1/2"
Clear Opening @ 170°	Width (Double Door-Active Panel) = (Frame ÷ 2) - 3-1/8" Width (Double Door-Both Panels) = (Frame ÷ 2) - 3-1/2" Width (Single Door) = Frame - 3-7/8"	Height = Frame - 3-1/2"

Special sizes available within size ranges shown. Keep frame dimensions to the nearest 1/8" increment.

(1) Units are tested for air/water/structural and impact-resistance, and certified for wind zone 4, large missile rating D.

Doors with low profile sills, curved glass in rectangular panel, custom stiles and rails, and no-lock no-bore hardware options are not certified to above standards.

Transoms are not available with impact-resistant glazing.

To convert areas to square meters (m²), multiply square feet by 0.0929.



Impact-Resistant Out-Swing Door

Design Data

Out-Swing Design Data											
Unit	Clear Opening (Inches)					Vent Area Ft ²	Vent Area (ADA) Ft ²	Visible Glass Ft ²	Standard Glass Thickness (mm) Tempered	Performance Class & Grade ³	
	Width ¹		Standard Sill Unit Height	ADA Sill Unit Height ²							
	170°	90°									
2680	F	—	—	—	—	—	—	6.1	3	LC70	
3080	F	—	—	—	—	—	—	8.1	3	LC70	
3480	F	—	—	—	—	—	—	9.7	3	LC70	
3680	F	—	—	—	—	—	—	10.8	3	LC70	
3880	F	—	—	—	—	—	—	11.6	3	LC70	
6' 7-1/2" Doors	2680	L/R	22-1/16	20	76-1/4	77-7/16	11.3	11.5	6.1	3	LC70
	3080	L/R	26-11/16	24-5/8	76-1/4	77-7/16	13.8	14.0	8.1	3	LC70
	3480	L/R	30-3/16	28-1/8	76-1/4	77-7/16	15.6	15.9	9.7	3	LC70
	3680	L/R	32-11/16	30-5/8	76-1/4	77-7/16	17.0	17.2	10.8	3	LC70
	3880	L/R	34-9/16	32-1/2	76-1/4	77-7/16	17.9	18.2	11.6	3	LC70
	5080	PA/AP	46-11/16 / 22-1/16	42-9/16 / 20	76-1/4	77-7/16	24.5	24.9	12.2	3	LC70
	6080	PA/AP	55-15/16 / 26-11/16	51-13/16 / 24-5/8	76-1/4	77-7/16	29.4	29.9	16.3	3	LC70
	6780	PA/AP	62-15/16 / 30-5/16	58-13/16 / 28-1/8	76-1/4	77-7/16	33.1	33.7	19.4	3	LC70
	7280	PA/AP	67-15/16 / 32-11/16	63-13/16 / 30-5/8	76-1/4	77-7/16	35.8	36.3	21.6	3	LC70
	7580	PA/AP	71-9/16 / 34-5/8	67-9/16 / 32-1/2	76-1/4	77-7/16	37.7	38.4	23.2	3	LC70
6' 10" Doors	3082	F	—	—	—	—	—	8.4	3	LC70	
	3682	F	—	—	—	—	—	11.1	3	LC70	
	2682	L/R	22-1/16	20	78-1/4	79-7/16	11.6	11.8	6.3	3	LC70
	3082	L/R	26-11/16	24-5/8	78-1/4	79-7/16	14.2	14.4	8.4	3	LC70
	3482	L/R	30-3/16	28-1/8	78-1/4	79-7/16	16.0	16.3	10.0	3	LC70
	3682	L/R	32-11/16	30-5/8	78-1/4	79-7/16	17.4	17.7	11.1	3	LC70
	3882	L/R	34-9/16	32-1/2	78-1/4	79-7/16	18.4	18.7	12.0	3	LC70
	5082	PA/AP	46-11/16 / 22-1/16	42-9/16 / 20	78-1/4	79-7/16	25.2	25.6	12.6	3	LC70
	6082	PA/AP	55-15/16 / 26-11/16	51-13/16 / 24-5/8	78-1/4	79-7/16	30.2	30.7	16.8	3	LC70
	6782	PA/AP	62-15/16 / 30-5/16	58-13/16 / 28-1/8	78-1/4	79-7/16	34.0	34.5	20.0	3	LC70
7282	PA/AP	67-15/16 / 32-11/16	63-13/16 / 30-5/8	78-1/4	79-7/16	36.7	37.3	22.3	3	LC70	
7582	PA/AP	71-9/16 / 34-5/8	67-9/16 / 32-1/2	78-1/4	79-7/16	38.7	39.3	24.0	3	LC70	

(1) All dimensions are approximate to the nearest 1/16". The second value, where shown, provides the clear opening for the active panel only.

(2) Requires specific installation methods to meet the stated performance.

All doors and sidelights are glazed with tempered glass.

To convert areas to square meters (m²), multiply square feet by 0.0929.



Impact-Resistant Out-Swing Door

Design Data

Out-Swing Design Data											
Unit	Clear Opening (Inches)					Vent Area Ft ²	Vent Area (ADA) Ft ²	Visible Glass Ft ²	Standard Glass Thickness (mm) Tempered	Performance Class & Grade ³	
	Width ¹		Standard Sill Unit Height	ADA Sill Unit Height ²							
	170°	90°									
7' 2" Doors	3086	F	—	—	—	—	—	9.0	3	LC70	
	3686	F	—	—	—	—	—	11.9	3	LC70	
	2686	L/R	22-1/16	20	82-3/4	83-15/16	12.3	12.5	6.7	3	LC70
	3086	L/R	26-11/16	24-5/8	82-3/4	83-15/16	15.0	15.2	9.0	3	LC70
	3486	L/R	30-3/16	28-1/8	82-3/4	83-15/16	17.0	17.2	10.7	3	LC70
	3686	L/R	32-11/16	30-5/8	82-3/4	83-15/16	18.4	18.7	11.9	3	LC70
	3886	L/R	34-9/16	32-1/2	82-3/4	83-15/16	19.5	19.8	12.8	3	LC70
	5086	PA/AP	46-11/16 / 22-1/16	42-9/16 / 20	82-3/4	83-15/16	26.6	27.0	13.4	3	LC70
	6086	PA/AP	55-15/16 / 26-11/16	51-13/16 / 24-5/8	82-3/4	83-15/16	31.9	32.4	17.9	3	LC70
	6786	PA/AP	62-15/16 / 30-5/16	58-13/16 / 28-1/8	82-3/4	83-15/16	36.0	36.5	21.3	3	LC70
	7286	PA/AP	67-15/16 / 32-11/16	63-13/16 / 30-5/8	82-3/4	83-15/16	38.8	39.4	23.8	3	LC70
	7586	PA/AP	71-9/16 / 34-5/8	67-9/16 / 32-1/2	82-3/4	83-15/16	41.0	41.6	25.6	3	LC70
8' 0" Doors	3096	F	—	—	—	—	—	10.2	3	LC70	
	3696	F	—	—	—	—	—	13.5	3	LC70	
	2696	L/R	22-1/16	20	92-1/4	93-7/16	13.7	13.9	7.6	3	LC70
	3096	L/R	26-11/16	24-5/8	92-1/4	93-7/16	16.7	16.9	10.2	3	LC70
	3496	L/R	30-3/16	28-1/8	92-1/4	93-7/16	18.9	19.2	12.1	3	LC70
	3696	L/R	32-11/16	30-5/8	92-1/4	93-7/16	20.5	20.8	13.5	3	LC70
	3896	L/R	34-9/16	32-1/2	92-1/4	93-7/16	21.7	22.0	14.5	3	LC70
	5096	PA/AP	46-11/16 / 22-1/16	42-9/16 / 20	92-1/4	93-7/16	29.7	30.1	15.2	3	LC70
	6096	PA/AP	55-15/16 / 26-11/16	51-13/16 / 24-5/8	92-1/4	93-7/16	35.6	36.1	20.4	3	LC70
	6796	PA/AP	62-15/16 / 30-5/16	58-13/16 / 28-1/8	92-1/4	93-7/16	40.1	40.6	24.2	3	LC70
	7296	PA/AP	67-15/16 / 32-11/16	63-13/16 / 30-5/8	92-1/4	93-7/16	43.3	43.9	27.0	3	LC70
	7596	PA/AP	71-9/16 / 34-5/8	67-9/16 / 32-1/2	92-1/4	93-7/16	45.7	46.3	29.1	3	LC70
10' 0" Doors	30120	F	—	—	—	—	—	13.2	5	LC50	
	36120	F	—	—	—	—	—	17.6	5	LC50	
	26120	L/R	22-1/16	20	116-1/4	117-7/16	17.3	17.5	9.9	5	LC50
	30120	L/R	26-11/16	24-5/8	116-1/4	117-7/16	21.0	21.3	13.2	5	LC50
	34120	L/R	30-3/16	28-1/8	116-1/4	117-7/16	23.9	24.1	15.8	5	LC50
	36120	L/R	32-11/16	30-5/8	116-1/4	117-7/16	25.9	26.2	17.6	5	LC50
	38120	L/R	34-9/16	32-1/2	116-1/4	117-7/16	27.4	27.7	18.9	5	LC50
	50120	PA/AP	46-11/16 / 22-1/16	42-9/16 / 20	116-1/4	117-7/16	37.5	37.9	19.8	5	LC50
	60120	PA/AP	55-15/16 / 26-11/16	51-13/16 / 24-5/8	116-1/4	117-7/16	44.9	45.4	26.5	5	LC50
	67120	PA/AP	62-15/16 / 30-5/16	58-13/16 / 28-1/8	116-1/4	117-7/16	50.5	51.1	31.5	5	LC50
	72120	PA/AP	67-15/16 / 32-11/16	63-13/16 / 30-5/8	116-1/4	117-7/16	54.6	55.2	35.1	5	LC50
	75120	PA/AP	71-9/16 / 34-5/8	67-9/16 / 32-1/2	116-1/4	117-7/16	57.6	58.2	37.8	5	LC50

(1) All dimensions are approximate to the nearest 1/16". The second value, where shown, provides the clear opening for the active panel only.

(2) Requires specific installation methods to meet the stated performance.

All doors and sidelights are glazed with tempered glass.

To convert areas to square meters (m²), multiply square feet by 0.0929.



Impact-Resistant Out-Swing Door

Design Data

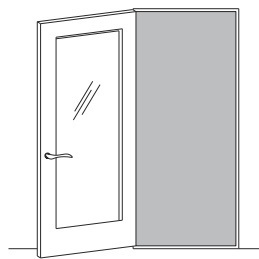
Transoms — Fixed Frame Direct Set			
Unit	Visible Glass Ft ²	Frame Area Ft ²	Performance Class & Grade ²
2617	2.1	3.0	CW90
2625	3.3	4.4	CW90
3017	2.6	3.5	CW90
3025	4.0	5.2	CW90
3417	2.9	4.0	CW90
3425	4.6	5.8	CW90
3617	3.1	4.3	CW90
3625	4.9	6.3	CW90
3817	3.3	4.5	CW90
3825	5.2	6.6	CW90
5017	4.5	5.9	CW90
5025	7.1	8.7	CW75
6017	5.3	7.0	CW90
6025	8.5	10.3	CW55
6717	6.0	7.8	CW60
6725	9.5	11.5	CW50
7217	6.5	8.4	CW60
7225	10.3	12.4	CW45
7517	6.8	8.9	CW60
7525	10.8	13.0	CW45

Transoms — Fixed Casement			
Unit	Visible Glass Ft ²	Frame Area Ft ²	Performance Class & Grade ²
2617	1.5	3.0	CW50
2625	2.6	4.4	CW50
3017	1.9	3.5	CW50
3025	3.2	5.2	CW50
3417	2.2	4.0	CW50
3425	3.7	5.8	CW50
3617	2.4	4.3	CW50
3625	4.0	6.3	CW50
3817	2.5	4.5	CW50
3825	4.3	6.6	CW50
5017	3.5	5.9	CW50
5025	5.9	8.7	CW50
6017	4.2	7.0	CW50
6025	7.2	10.3	CW45/CW50
6717	4.7	7.8	R15 ₁
6725	8.1	11.5	R15 ₁
7217	5.1	8.4	R15 ₁
7225	8.8	12.4	R15 ₁
7517	5.4	8.9	R15 ₁
7525	9.3	13.0	R15 ₁

Transoms — Wide Stile Casement			
Unit	Visible Glass Ft ²	Frame Area Ft ²	Performance Class & Grade ²
2617	1.1	3.0	CW50
2625	1.8	4.4	CW50
3017	1.4	3.5	CW50
3025	2.5	5.2	CW50
3417	1.7	4.0	CW50
3425	2.9	5.8	CW50
3617	1.9	4.3	CW50
3625	3.3	6.3	CW50
3817	2.1	4.5	CW50
3825	3.5	6.6	CW50
5017	3.0	5.9	CW50
5025	5.1	8.7	CW50
6017	3.7	7.0	CW50
6025	6.4	10.3	CW50
6717	4.3	7.8	R15 ₁
6725	7.3	11.5	R15 ₁
7217	4.7	8.4	R15 ₁
7225	8.0	12.4	R15 ₁
7517	5.0	8.9	R15 ₁
7525	8.5	13.0	R15 ₁

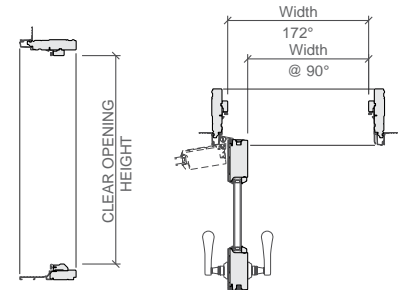
Sidelights			
Unit	Visible Glass Ft ²	Frame Area Ft ²	Performance Class & Grade ²
1880	5.0	9.9	LC70
1881	5.1	10.0	LC70
1882	5.2	10.2	LC70
1886	5.5	10.8	LC70
1896	6.3	11.9	LC70

Clear Opening Schematic



Shaded portion shows vent area of door.

Vent Area Schematic



(-) = Not applicable

(1) Units are not AAMA/WDMA performance certified. Units are engineered to meet the performance class and grade shown.

(2) Maximum performance when glazed with the appropriate glass thickness. Second number indicates Performance Upgrade Class and Grade, Performance upgrade requires specific installation methods to meet the stated performance.

All doors and sidelights are glazed with tempered glass.

To convert areas to square meters (m²), multiply square feet by 0.0929.



Frame

- Select softwood, immersion treated with Pella's EnduraGuard® wood protection formula in accordance with WDMA I.S.-4. The EnduraGuard formula includes three active ingredients for protection against the effects of moisture, decay, stains from mold and mildew. Plus, an additional ingredient adds protection against termite damage.
- Interior exposed surfaces are [pine] [mahogany], edge-banded and veneered on straight members.
- Exterior surfaces are clad with aluminum at the head and jambs.
- Frame depth is 5-7/8" (149mm) for a wall depth of 4-9/16" (116mm).
- Jamb extensions available to adapt door to wall thickness between 4-9/16" (116mm) to 7" (178mm).
- Solid extruded aluminum sill with [Brown] [Mill] [Nickel] [Bronze] finish. [Mahogany threshold for mahogany door] [[oak] [composite black] threshold for pine door].
- Optional factory-applied EnduraClad® exterior trim.

Door Panels

- Select softwood, immersion treated with Pella's EnduraGuard® wood protection formula in accordance with WDMA I.S.-4. The EnduraGuard formula includes three active ingredients for protection against the effects of moisture, decay, stains from mold and mildew. Plus, an additional ingredient adds protection against termite damage.
- Interior exposed surfaces are veneered with [Pine] [Mahogany].
- Exterior surfaces are clad with aluminum.
- Panel stiles and rails are three-ply construction, randomly finger-jointed blocks laminated with water-resistant glue and veneered on both sides.
- Units over 8' height have panel stiles constructed with LVL core with finger-jointed edge bands on both sides and veneered on both faces.
- Corners are urethane-silicone hybrid sealed and secured with metal fasteners.
- Panel thickness is 2-1/16" (52mm).

Weatherstripping

- Dual-durometer extruded polymer along jambs, head and sill.
- Dual-durometer extruded polymer rainscreen along top and sides of panel.
- Bristle rainscreen along bottom of panel.

Glazing System 1

- Quality fully-tempered float glass complying with ASTM C 1048.
- Silicone-glazed, 7/8" double-pane, dual-seal, impact-resistant, laminated, insulating glass
 - PVB Laminated clear exterior light, tempered interior light.
 - Clear with air.
 - [Bronze] [Gray] [Green] with air.
 - [Advanced Low-E] [SunDefense™ Low-E] with argon.

Exterior

- Aluminum clad exteriors shall be finished with EnduraClad® protective finish, in a multi-step, baked-on finish.
 - Color is [Standard] [custom]₂.
 - or –
- Aluminum clad exteriors shall be finished with EnduraClad Plus protective finish with 70% fluoropolymer resin in a multi-step, baked-on finish.
 - Color is [Standard] [custom]₂.

Interior

- [Unfinished, ready for site finishing] [factory primed with one coat acrylic latex] [factory prefinished [paint] [stain]₂].

Hardware

Hinges

- Adjustable hinges standard to assist in installation.
- Doors 6' 10" to 7' 0" frame height will have three (3) hinges.
- Doors over 7' 0" frame height up to and including 8' 0" frame height will have four (4) hinges.
- Doors over 8' 3" frame height up to and including 9' 0" frame height will have five (5) hinges.
- Doors over 9' 0" frame height will have six (6) hinges.
- Hinge color to match exterior cladding.

Locks

- Mortised and keyed multi-point locking system, center deadbolt and shoot-bolts at head and sill will engage simultaneously.
- Doors 8' 0" frame height and below will have one (1) strike at the head, one (1) strike at the sill and one (1) center deadbolt.
- Doors over 8' 0" frame height up to and including 10' 0" frame height will have one (1) strike at the head, one (1) strike at the sill and three (3) locking points at the stile.
- Solid brass handles and keylock with K-keyway cylinder. Key cylinder finish is [Brass] [Stainless Steel] [Matte Black].

Finish

- Hardware finish is (Handle, Hinges and Strike) [baked enamel [White] [Champagne] [Brown] [Matte Black]] [PVD High Performance finish [Bright Brass] [Satin Nickel]] [Oil-Rubbed Bronze] [Antique Brass] [Distressed Bronze] [Distressed Nickel] [Polished Nickel] [Polished Chrome].

Optional Products

Grilles

- Integral Light Technology® Grilles
 - Interior grilles are [5/8"] [7/8"] [1-1/4"] [2"] ogee profile that are solid [pine] [mahogany]. Interior surfaces are [unfinished, ready for site finishing] [factory primed] [pine: factory prefinished [paint] [stain]₂].
 - Exterior grilles are [5/8" putty glaze profile] [7/8" [putty glaze] [ogee] profile] [1-1/4" [putty glaze] [ogee] profile] [2" ogee profile] that are extruded aluminum.
 - Patterns are [Traditional] [Prairie] [Top Row] [Cross] [New England] [Victorian].
 - Insulating glass contains non-glare spacer between the panes of glass.
 - Grilles are adhered to both sides of the insulating glass with VHB acrylic adhesive tape and aligned with spacer.
 - or –
- Grilles-Between-the-Glass₃
 - Insulating glass contains 3/4" contoured aluminum grilles permanently installed between two panes of glass.
 - Patterns are [Traditional] [Prairie] [Cross] [Top Row]
 - Interior color is [White] [Tan₄] [Brown₄] [Putty₄] [Black] [Morning Sky Gray] [Ivory] [Sand Dune] [Harvest] [Cordovan] [Brickstone].
 - Exterior color₅ is [Standard]₂.

(1) Insulating glass with argon is Low-E coated. All other insulating glass is air-filled.

(2) Contact your local Pella sales representative for current color options.

(3) Available on units glazed with Low-E insulated glass with argon, clear insulated glass and obscure insulated glass.

(4) Tan, Brown or Putty Interior GBG colors are available in single-tone (Brown/Brown, Tan/Tan or Putty/Putty). Other interior colors are also available with Tan or Brown exterior.

(5) Appearance of exterior grille color will vary depending on Low-E coating on glass.



Frame

- Select softwood, immersion treated with Pella's EnduraGuard® wood protection formula in accordance with WDMA I.S.-4. The EnduraGuard formula includes three active ingredients for protection against the effects of moisture, decay, stains from mold and mildew. Plus, an additional ingredient adds protection against termite damage.
- Interior exposed surfaces are [clear pine] [mahogany], edge-banded and veneered.
- Exterior surfaces are clad with aluminum at the head and jambs.
- Components are assembled with screws, staples and concealed corner locks.
- Frame depth is 5-7/8" (149mm) for a wall depth of 4-9/16" (116mm).
- Jamb extensions available to adapt door to wall thickness between 4-9/16" (116mm) to 7" (178mm).
- Optional factory-applied EnduraClad® exterior trim.
- Solid extruded aluminum sill with [Mill] [Nickel] [Bronze] [Brown] [anodized to match anodized cladding] finish. [Mahogany threshold for mahogany door] [[oak] [composite black] threshold for [pine] [douglas fir] door].

Door Panels

- Select softwood, immersion treated with Pella's EnduraGuard® wood protection formula in accordance with WDMA I.S.-4. The EnduraGuard formula includes three active ingredients for protection against the effects of moisture, decay, stains from mold and mildew. Plus, an additional ingredient adds protection against termite damage.
- Interior exposed surfaces are veneered with [clear pine] [mahogany].
- Exterior surfaces are clad with extruded aluminum.
- Panel stiles and rails are three-ply construction, randomly finger-jointed blocks laminated with water-resistant glue and veneered on both sides.
- Units over 8' height have panel stiles constructed with LVL core with finger-jointed edge bands on both sides and veneered on both faces.
- Corners are urethane-silicone hybrid sealed and secured with metal fasteners.
- Panel thickness is 2-1/16" (52mm).
- Panel exterior profile is [ogee] [putty glaze], interior profile is ogee.

Weatherstripping

- Dual-durometer extruded polymer along jambs, head and sill.
- Dual-durometer extruded polymer rainscreen along top and sides of panel.
- Bristle rainscreen along bottom of panel.

Glazing System¹

- Quality fully-tempered float glass complying with ASTM C 1048.
- Silicone-glazed, 7/8" double-pane, dual-seal, impact-resistant, laminated, insulating glass
 - PVB Laminated clear exterior light, tempered interior light.
 - Clear with air.
 - [Bronze] [Gray] [Green] with air.
 - [Advanced Low-E] [SunDefense™ Low-E] with argon.

Exterior

- Aluminum clad exteriors shall be finished with EnduraClad® protective finish, in a multi-step, baked-on finish.
 - Color is [Standard] [custom]¹.
- or –
- Aluminum clad exteriors shall be finished with EnduraClad Plus protective finish with 70% fluoropolymer resin in a multi-step, baked-on finish.
 - Color is [Standard] [custom]¹.

Interior

- [Unfinished, ready for site finishing] [factory primed with one coat acrylic latex] [factory prefinished [paint] [stain]¹].

Hardware

Hinges

- Adjustable hinges standard to assist in installation.
- Doors 6' 10" to 7' 0" frame height will have three (3) hinges.
- Doors over 7' 0" frame height up to and including 8' 0" frame height will have four (4) hinges.
- Doors over 8' 3" frame height up to and including 9' 0" frame height will have five (5) hinges.
- Doors over 9' 0" frame height will have six (6) hinges.
- Hinge color to match exterior cladding.

Locks

- Mortised and keyed multi-point locking system, center deadbolt and shoot-bolts at head and sill will engage simultaneously.
- Doors 8' 0" frame height and below will have one (1) strike at the head, one (1) strike at the sill and one (1) center deadbolt.
- Doors over 8' 0" frame height up to and including 10' 0" frame height will have one (1) strike at the head, one (1) strike at the sill and three (3) locking points at the stile.
- Solid brass handles and keylock with K-keyway cylinder.
- Key cylinder finish is [Brass] [Stainless Steel] [Matte Black].

Finish

- Hardware finish is (Handle, Hinges and Strike) [baked enamel [White] [Champagne] [Brown] [Matte Black]] [PVD High Performance finish [Bright Brass] [Satin Nickel]] [Oil-Rubbed Bronze] [Antique Brass] [Distressed Bronze] [Distressed Nickel] [Polished Nickel] [Polished Chrome].

Optional Products

Grilles

- Integral Light Technology® Grilles
 - Interior grilles are [5/8"] [7/8"] [1-1/4"] [2"] ogee profile that are solid [pine] [mahogany]. Interior surfaces are [unfinished, ready for site finishing] [factory primed] [pine: factory prefinished [paint] [stain]¹].
 - Exterior grilles are [5/8" putty glaze profile] [7/8" [putty glaze] [ogee] profile]] [1-1/4" putty glaze] [ogee] profile] [2" ogee profile] that are extruded aluminum.
 - Patterns are [Traditional] [Prairie] [Top Row] [Cross] [New England] [Victorian].
 - Insulating glass contains non-glare spacer between the panes of glass.
 - Grilles are adhered to both sides of the insulating glass with VHB acrylic adhesive tape and aligned with spacer.
- or –
- Grilles-Between-the-Glass³
 - Insulating glass contains 3/4" contoured aluminum grilles permanently installed between two panes of glass (exterior air-space on triple-pane insulating glass).
 - Patterns are [Traditional] [Prairie] [Cross] [Top Row]
 - Interior color is [White] [Tan³] [Brown³] [Putty³] [Black] [Morning Sky Gray] [Ivory] [Sand Dune] [Harvest] [Cordovan] [Brickstone].
 - Exterior color⁴ is [Standard]¹.

(1) Contact your local Pella sales representative for current color options.

(2) Available in clear or Low-E insulating glass only.

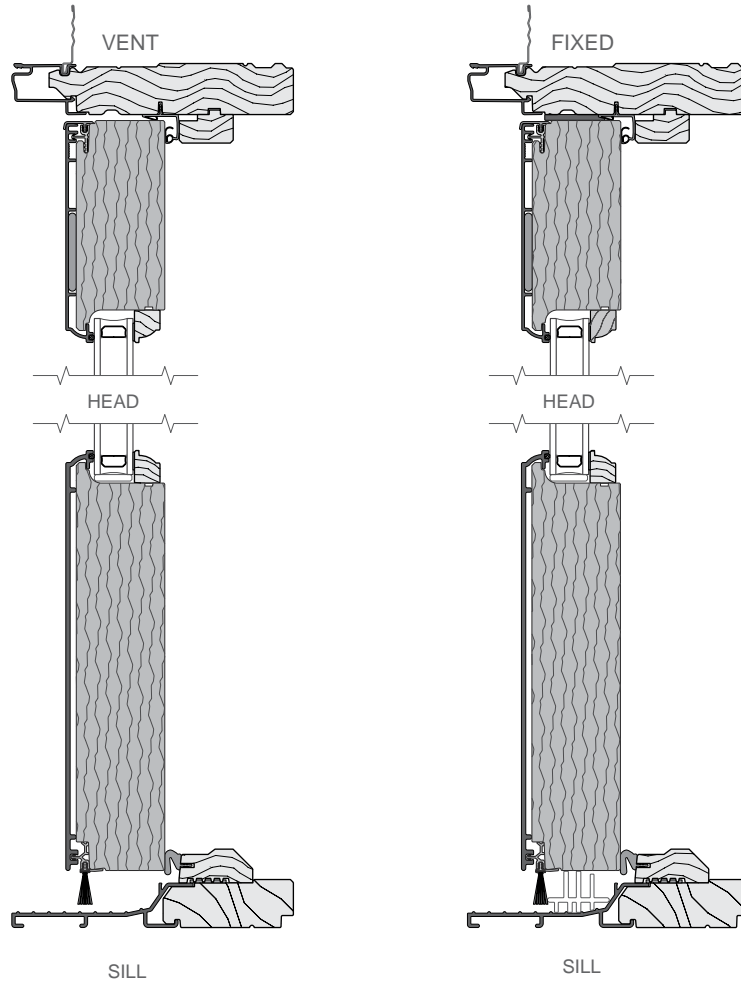
(3) Tan, Brown or Putty Interior GBG colors are available in single-tone (Brown/Brown, Tan/Tan or Putty/Putty). Other interior colors are also available with Tan or Brown exterior.


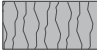

(4) Appearance of exterior grille color will vary depending on Low-E coating on glass.



Impact-Resistant Out-Swing Door

Unit Sections - Wood Collection



-  Solid Mahogany
-  Core with Mahogany Veneer
-  Painted Pine

Scale 3" = 1' 0"

All dimensions are approximate.

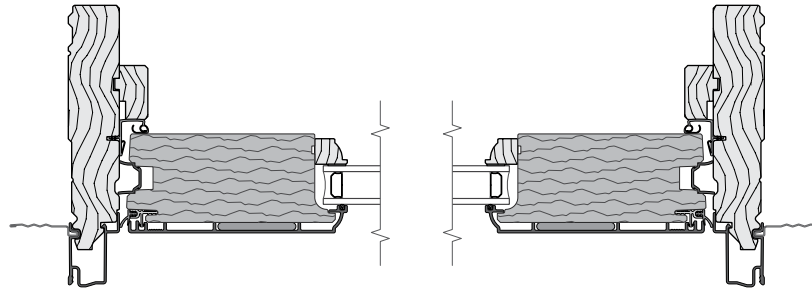
Water resistance is 0 psf for units with a low profile sill.

Standard insulating glass shown. Impact-Resistant Laminated glazing is similar, see following pages for glass details.

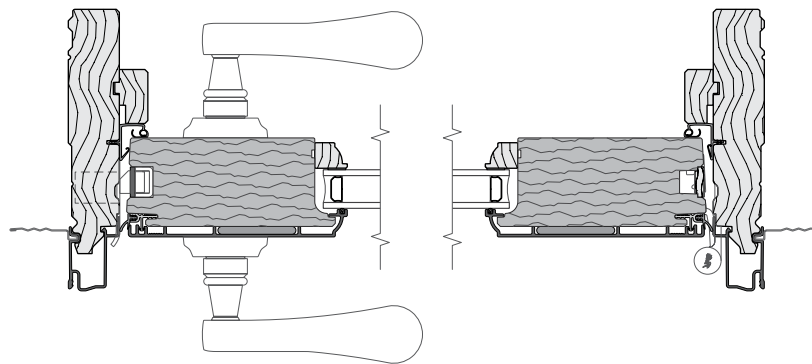


Impact-Resistant Out-Swing Door

Unit Sections - Wood Collection

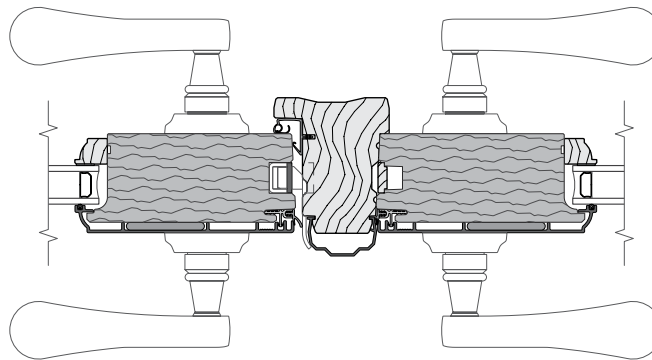


FIXED JAMBS

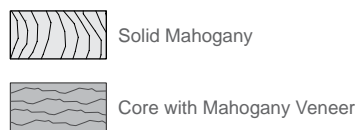


LOCK JAMB

HINGE JAMB



ACTIVE / PASSIVE
ASTRAGAL



Scale 3" = 1' 0"

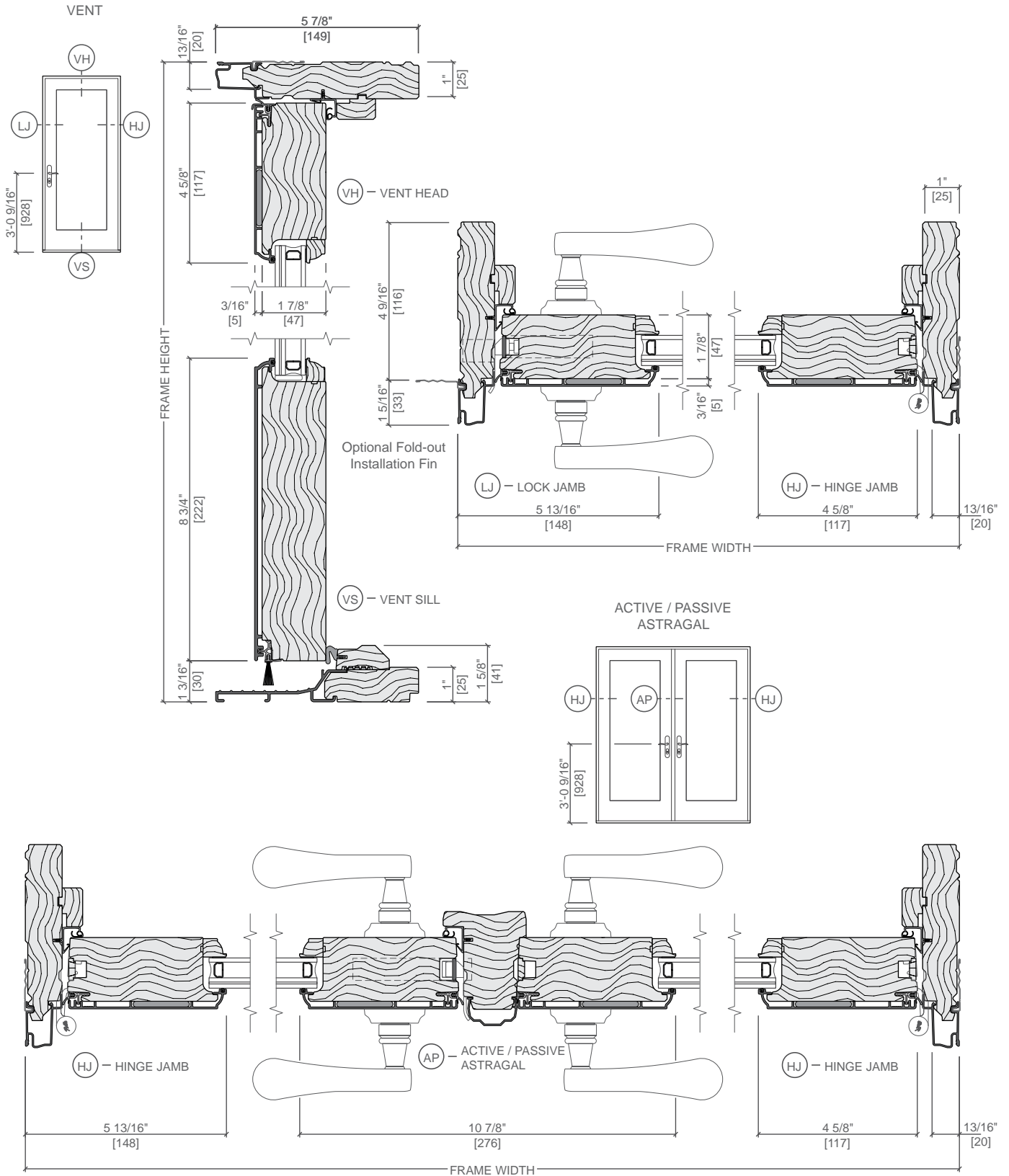
All dimensions are approximate.

Standard insulating glass shown. Impact-Resistant Laminated glazing is similar, see following pages for glass details.



Impact-Resistant Out-Swing Door

Unit Sections - 7/8" Laminated Glass Ogee Exterior Glazing Profile



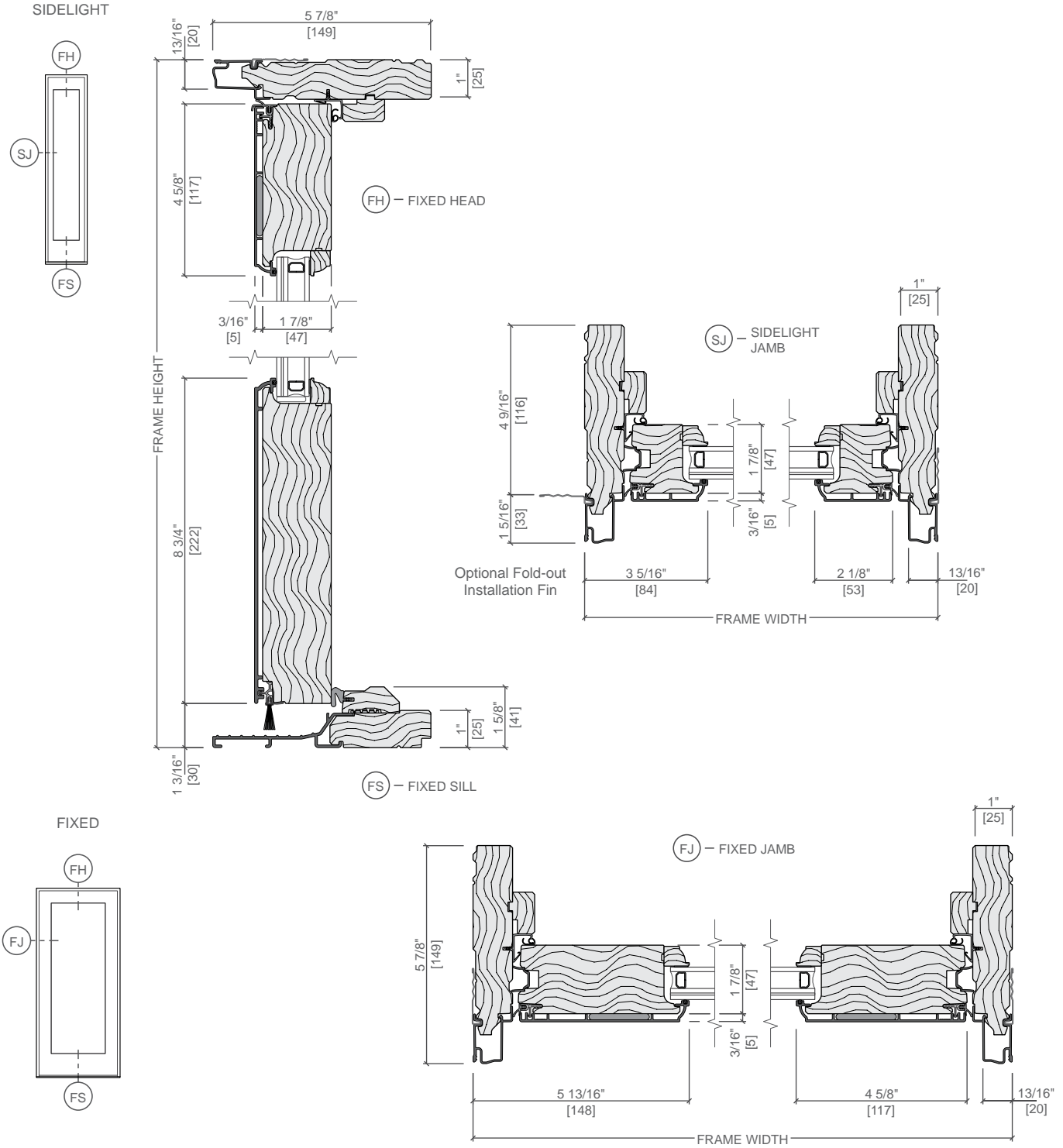
Scale 3" = 1' 0"

All dimensions are approximate.



Impact-Resistant Out-Swing Door

Unit Sections - 7/8" Laminated Glass Ogee Exterior Glazing Profile



Scale 3" = 1' 0"

All dimensions are approximate.