



Product Selection Guide

Size and Performance Data.....	SD-IR-2
Sound Transmission Class and Outdoor-Indoor Transmission Class	SD-IR-2
Glazing Performance.....	SD-IR-3
Grille Types	
Grille Profiles.....	SD-IR-4
Typical Grille Patterns	SD-IR-5
Size Tables.....	SD-IR-6
Design Data	SD-IR-9
Detailed Product Descriptions	
Pella® Reserve™ Traditional	SD-IR-11
Unit Sections	SD-IR-12

The information published in this document is believed to be accurate at the time of publication. However, because we are constantly working to improve our products, specifications are subject to change without notice. Consult your local Pella representative for up-to-date product information.

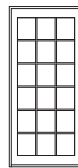


Pella® Reserve™ Impact-Resistant Sliding Patio Door

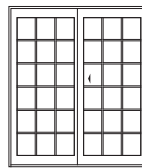
Size and Performance Data

Sizes	
Standard Door Sizes	●
Special Sizes	●
Custom Sizes	●
One-Panel Door Width (Fixed-O)	
2' 7"	●
3' 1"	●
4' 1"	●
Two-Panel Door Width (Fixed-Vent or Vent-Fixed – OX or XO)	
5'	●
6'	●
8'	●
Door Heights	
6' 7-1/2"	●
6' 10"	●
8'	●
Performance ₁	
Impact-Resistant Glass	
7/8" Insulated Glass PVB Meets or Exceeds AAMA / WDMA Ratings	Up to DP70 Wind Zone 4 - Missile D Hallmark Certified FPAS - HVHZ Approved
Other Performance Criteria	
Forced Entry Resistance Level (Minimum Security Grade) ₂	40
Operating Force (lb) Initiate Motion / Maintain Motion (of Hallmark tested size and glazing) ₃	30 / 20

One-Panel



Two-Panel



Sound Transmission Class / Outdoor-Indoor Transmission Class

Product	Frame Size Tested ₄	Glazing System			STC Rating	OITC Rating
		Overall Glazing Thickness	Exterior Glass Thickness	Interior Glass Thickness		
Clad Sliding Door with Impact-Resistant Laminated Glazing	Without Grilles					
	71-1/4" x 81-1/2" (Fixed-Vent)	13/16"	8.6mm PVB	4.7mm	34	30

(1) Maximum performance for single unit when glazed with the appropriate glass thickness. See Design Data pages in this section for specific product performance class and grade values.

(2) The higher the level, the greater the product's ability to resist forced entry.

(3) Glazing configurations may result in higher operational forces.

(4) ASTM E 1425 defines standard sizes for acoustical testing. Ratings achieved at that size are representative of all sizes of the same configuration.



Pella® Reserve™ Impact-Resistant Sliding Patio Door

Glazing Performance - Total Unit

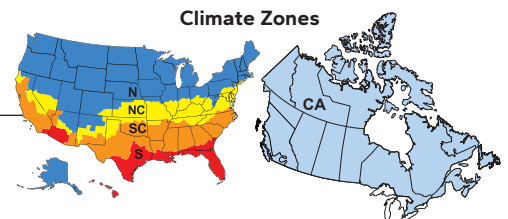
Glazing Thickness	Type of Glazing	NFRC Certified Product #	Glass (mm)		Gap Fill	Performance Values ¹				Shaded Areas Meet ENERGY STAR® Performance Criteria in Zones Shown					
			Ext.	Int.		U-Factor	SHGC	VLT %	CR	U. S.		Canada ²			
										Zone		ER	Zone		
Laminated Impact-Resistant Glazing (O and OX/XO)										N	NC	SC	S	CA	
13/16"	Clear IG PVB	PEL-N-237-01273-00001	8	3	Air	0.43	0.41	48	42						
	with grilles-between-the-glass	PEL-N-237-01274-00001	8	3		0.44	0.35	41	42						
	with integral grilles	PEL-N-237-01275-00001	8	3		0.44	0.35	41	42						
13/16"	Advanced Low-E IG PVB	PEL-N-237-01293-00001	8	5	Argon	0.30	0.23	41	54						
	with grilles-between-the-glass	PEL-N-237-01294-00001	8	5		0.32	0.20	36	54						
	with integral grilles	PEL-N-237-01295-00001	8	5		0.31	0.20	36	54						
13/16"	SunDefense™ Low-E IG PVB	PEL-N-237-01289-00001	8	5	Argon	0.30	0.18	38	54						
	with grilles-between-the-glass	PEL-N-237-01290-00001	8	5		0.32	0.16	33	54						
	with integral grilles	PEL-N-237-01291-00001	8	5		0.31	0.16	33	54						
Tinted Laminated Impact-Resistant Glazing															
13/16"	Bronze IG PVB	PEL-N-237-01277-00001	8	5	Air	0.43	0.34	36	42						
	with grilles-between-the-glass	PEL-N-237-01278-00001	8	5		0.44	0.30	30	42						
	with integral grilles	PEL-N-237-01279-00001	8	5		0.44	0.30	30	42						
13/16"	Gray IG PVB	PEL-N-237-01281-00001	8	5	Air	0.43	0.32	33	42						
	with grilles-between-the-glass	PEL-N-237-01282-00001	8	5		0.44	0.28	28	42						
	with integral grilles	PEL-N-237-01283-00001	8	5		0.44	0.28	28	42						
13/16"	Green IG PVB	PEL-N-237-01285-00001	8	5	Air	0.43	0.34	44	42						
	with grilles-between-the-glass	PEL-N-237-01286-00001	8	5		0.44	0.29	38	42						
	with integral grilles	PEL-N-237-01287-00001	8	5		0.44	0.29	38	42						

R-Value = 1/U-Factor
 SHGC = Solar Heat Gain Coefficient
 VLT % = Visible Light Transmission
 CR = Condensation Resistance
 ER = Canadian Energy Rating

(1) Glazing performance values are calculated for Pine using NFRC 100, NFRC 200 and NFRC 500. Thermal performance of other wood species may vary. ENERGY STAR® values are updated to 2023 (Version 7) criteria.

(2) The values shown are based on Canada's updated ENERGY STAR® 2020 initiative.

Visit www.energystar.gov for Energy Star guidelines.



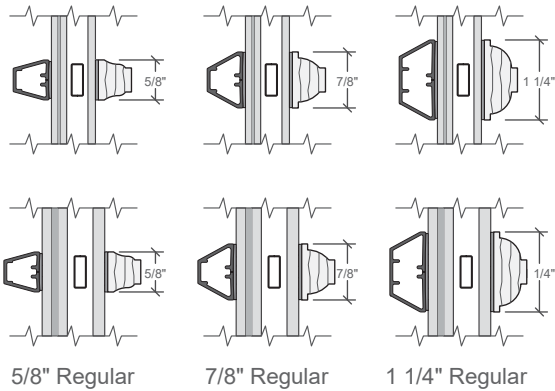


Grille Profiles

Traditional Style Collection - Integral Light Technology

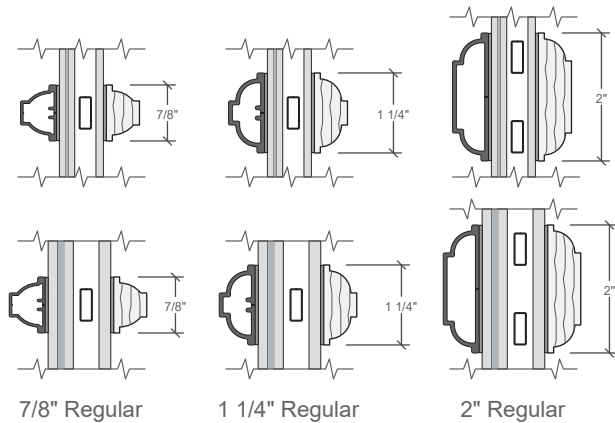
Putty Glaze and Ogee Grilles

Clad Exterior - Wood Interior

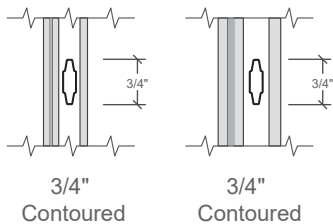


Ogee Grilles

Clad Exterior - Wood Interior



Grilles-Between-the-Glass



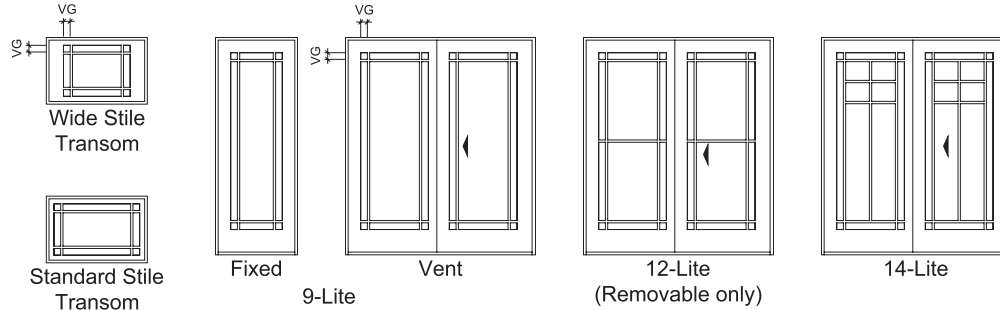
Interior wood ILT grilles available in Pine, Mahogany or Douglas Fir to match complete unit.



Grille Patterns

Integral Light Technology® Grilles and Removable Grille Patterns

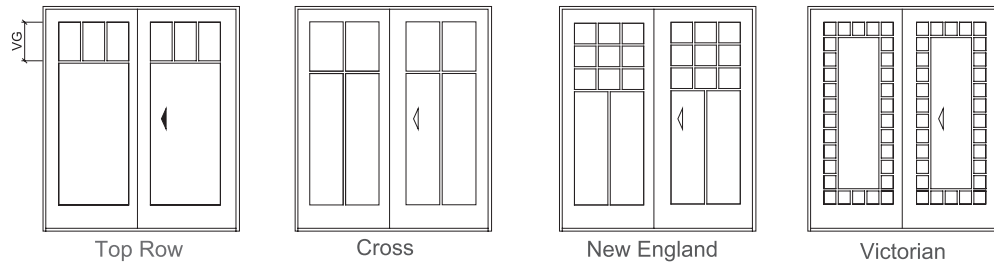
Prairie Lite Patterns



All fixed doors and transoms with removable grilles will have 9 lites. 8' doors will have 12 lites.

Standard corner light dimension for Prairie patterns = 3-1/2" VG.

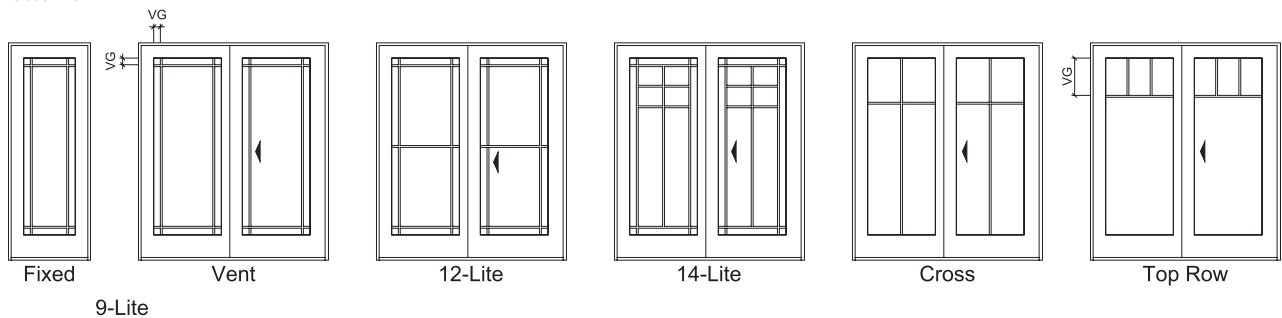
Other Available Patterns (ILT only) Cross, Victorian, New England



Standard visible glass to separator bar = 14" or half of total visible glass height, whichever is smaller.

Grilles-Between-the-Glass Patterns

Prairie Lite Patterns



Prairie

- Standard corner lite dimension = 3-1/2" VG. 12-lite pattern available in 8' doors only

Cross

- Horizontal bar is 1/4 of visible glass from the top in door panels.
- Not available in transoms

Top Row

- Horizontal bar may be ordered 12", 14" or 16" from the top VG.
- Transoms with frame heights ≥21", the horizontal bar will be positioned at 1/2 the visible glass height.
- Top Row not available in transoms with frame height <21"

For traditional patterns, see size tables.

VG = Visible Glass

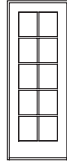
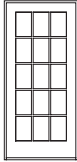
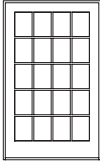
Lite dimensions noted can vary.

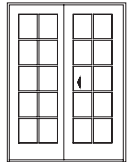
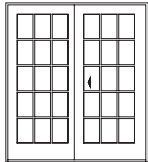
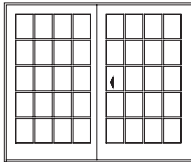
Custom configurations are available; for details contact your local Pella sales representative.



Pella® Reserve™ Impact-Resistant Sliding Patio Door

6' 7-1/2" Size Tables

Opening	2' 7 1/2" (800)	3' 1 1/2" (953)	4' 1 1/2" (1 257)
Frame	2' 6 3/4" (781)	3' 0 3/4" (933)	4' 0 3/4" (1 238)
6' 8" (2 032) 6' 7 1/2" (2 019)			
	FIXED (O) 3180	FIXED (O) 3780	FIXED (O) 4980

Opening	5' 0" (1 524)	6' 0" (1 829)	8' 0" (2 438)
Frame	4' 11 1/4" (1 505)	5' 11 1/4" (1 810)	7' 11 1/4" (2 419)
6' 8" (2 032) 6' 7 1/2" (2 019)			
	FIXED-VENT (OX) 6080	FIXED-VENT (OX) 7280	FIXED-VENT (OX) 9680

Scale 1/8" = 1' 0"

All doors are glazed with tempered glass.

Two panel doors—Fixed-Vent (OX), right panel opens, left panel is fixed. Units open in the direction of the arrow as viewed from the exterior.

Vent-Fixed (XO) doors are also available.

For windows and patio doors with impact-resistant glass, see product instructions or refer to local building code requirements.



Pella® Reserve™ Impact-Resistant Sliding Patio Door

6' 10", 8' 0" Size Tables

Opening	2' 7 1/2" (800)	3' 1 1/2" (953)	4' 1 1/2" (1 257)
Frame	2' 6 3/4" (781)	3' 0 3/4" (933)	4' 0 3/4" (1 238)

6' 10" (2 083)	6' 9 1/2" (2 070)			
		FIXED (O) 3182	FIXED (O) 3782	FIXED (O) 4982

Opening	5' 0" (1 524)	6' 0" (1 829)	8' 0" (2 438)
Frame	4' 11 1/4" (1 505)	5' 11 1/4" (1 810)	7' 11 1/4" (2 419)

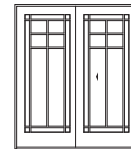
6' 10" (2 083)	6' 9 1/2" (2 070)			
		FIXED-VENT (OX) 6082	FIXED-VENT (OX) 7282	FIXED-VENT (OX) 9682

Opening	2' 7 1/2" (800)	3' 1 1/2" (953)	4' 1 1/2" (1 257)
Frame	2' 6 3/4" (781)	3' 0 3/4" (933)	4' 0 3/4" (1 238)

8' 0" (2 438)	7' 11 1/2" (2 426)			
		FIXED (O) 3196	FIXED (O) 3796	FIXED (O) 4996

Opening	5' 0" (1 524)	6' 0" (1 829)	8' 0" (2 438)
Frame	4' 11 1/4" (1 505)	5' 11 1/4" (1 810)	7' 11 1/4" (2 419)

8' 0" (2 438)	7' 11 1/2" (2 426)			
		FIXED-VENT (OX) 6096	FIXED-VENT (OX) 7296	FIXED-VENT (OX) 9696



Traditional grille patterns shown. See Grille Types page for additional patterns and profiles.

All doors are glazed with tempered glass.

Two panel doors—Fixed-Vent (OX), right panel opens, left panel is fixed. Units open in the direction of the arrow as viewed from the exterior.

Vent-Fixed (XO) doors are also available.

For windows and patio doors with impact-resistant glass, see product instructions or refer to local building code requirements.



Special Sizes and Dimensions

Special Size Frame Dimensions ¹

Door Type	Frame Width		Frame Height	
	Minimum	Maximum	Minimum	Maximum
O	30-3/4"	48-3/4"	74"	95-1/2"
OX, XO	59-1/4"	95-1/4"	74"	95-1/2"

Miscellaneous Formulas

	Doors	
	Width	Height
Visible Glass	Width of O = Frame - 11-7/16" Width of OX, XO = (Frame - 20-5/8") ÷ 2	Height = Frame - 15-1/4"
Actual Glass	Width of O = Frame - 10-1/4" Width of OX, XO = (Frame - 18-1/4") ÷ 2	Height = Frame - 14"
Clear Opening	Width of OX, XO = (Frame - 14-1/2") ÷ 2	Height = Frame - 4-1/8"

(1) Available within size range shown.

Keep frame dimensions to the nearest 1/8" increment.



Pella® Reserve™ Impact-Resistant Sliding Patio Door

Design Data

Sliding French Design Data						
Unit	Venting	Clear Opening		Vent Area Ft ²	Visible Glass Ft ²	Frame Area Ft ²
		Width (Inches)	Height (Inches)			
6' 7-1/2" Doors						
3180	O	—	—	—	8.6	16.9
3780	O	—	—	—	11.2	20.3
4980	O	—	—	—	16.6	26.9
6080	OX, XO	22-3/8	75-3/8	11.7	17.2	32.7
7280	OX, XO	28-3/8	75-3/8	14.8	22.5	39.3
9680	OX, XO	40-3/8	75-3/8	21.1	33.3	52.5
6' 10" Doors						
3182	O	—	—	—	8.9	17.4
3782	O	—	—	—	11.7	20.8
4982	O	—	—	—	17.2	27.6
6082	OX, XO	22-3/8	77-3/8	12.0	17.8	33.5
7282	OX, XO	28-3/8	77-3/8	15.2	23.3	40.3
9682	OX, XO	40-3/8	77-3/8	21.7	34.4	53.9
8' Doors						
3196	O	—	—	—	10.8	20.5
3796	O	—	—	—	14.1	24.4
4996	O	—	—	—	20.8	32.4
6096	OX, XO	22-3/8	91-3/8	14.2	21.6	39.3
7296	OX, XO	28-3/8	91-3/8	18.0	28.3	47.3
9696	OX, XO	40-3/8	91-3/8	25.6	41.6	63.2

(—) = Not Applicable

To convert areas to square meters (m²), multiply square feet by 0.0929.



Pella® Reserve™ Impact-Resistant Sliding Patio Door

Design Data - Product Certification and Approvals

Impact-Resistant Glazing (Maximum Design Pressure)							
Unit	Venting	11/16" Insulated Glass PVB ₁					Performance Class and Grade
		Design Pressure	Florida Product Approval System	Miami-Dade County Approved	Hallmark Certified	Texas Dept. of Insurance	
6' 7-1/2" Doors							
3180	O	+55 / -55	FL12459	13-0530.17	411-H-1490	P	R55
3780	O	+55 / -55	FL12459	13-0530.17	411-H-1490	P	R55
4980	O	+55 / -55	FL12459	13-0530.17	411-H-1490	P	R55
6080	OX, XO	+55 / -55	FL12459	13-0530.17	411-H-1490	P	R55
7280	OX, XO	+55 / -55	FL12459	13-0530.17	411-H-1490	P	R55
9680	OX, XO	+55 / -55	FL12459	13-0530.17	411-H-1490	P	R55
6' 10" Doors							
3182	O	+55 / -55	FL12459	13-0530.17	411-H-1490	P	R55
3782	O	+55 / -55	FL12459	13-0530.17	411-H-1490	P	R55
4982	O	+55 / -55	FL12459	13-0530.17	411-H-1490	P	R55
6082	OX, XO	+55 / -55	FL12459	13-0530.17	411-H-1490	P	R55
7282	OX, XO	+55 / -55	FL12459	13-0530.17	411-H-1490	P	R55
9682	OX, XO	+55 / -55	FL12459	13-0530.17	411-H-1490	P	R55
8' Doors							
3196	O	+55 / -55	FL12459	13-0530.17	411-H-1490	P	R55
3796	O	+55 / -55	FL12459	13-0530.17	411-H-1490	P	R55
6096	OX, XO	+55 / -55	FL12459	13-0530.17	411-H-1490	P	R55
7296	OX, XO	+55 / -55	FL12459	13-0530.17	411-H-1490	P	R55

(-) = Not applicable; P = Pending

(1) Units are tested for air/water/structural and impact-resistance, and certified for wind zone 4, large missile rating D. Florida Product Approval System number not needed if Miami-Dade County certified.

Reference Miami-Dade County NOA for allowable size and pressure.

For clear opening, vent area, visible glass, and frame area, see Design Data Pages.

Transoms, Fixed-Vent-Fixed (OXO) and Fixed-Vent-Vent-Fixed (OXXO) doors are not available with impact-resistant glazing.



Detailed Product Description - Pella® Reserve™ Traditional

Frame

- Select softwood, immersion treated with Pella's EnduraGuard® wood protection formula in accordance with WDMA I.S.-4. The EnduraGuard formula includes three active ingredients for protection against the effects of moisture, decay, stains from mold and mildew. Plus, an additional ingredient adds protection against termite damage.
- Interior exposed surfaces are [pine] [mahogany] edge banded and veneered.
- Exterior surfaces are clad with aluminum at the head and jambs.
- Components are assembled with screws, staples and concealed corner locks.
- Solid extruded aluminum sill with Brown EnduraClad® protective finish. [mahogany threshold for mahogany door] [[oak] [composite black] threshold for [pine] door].
- Optional factory-installed fold-out installation fins with flexible fin corners.
- Fin position will accommodate standard 4-9/16" (116mm) wall depths.
- Frame depth is 5-7/8" (149mm).
- Optional factory-applied jamb extensions available between 4-9/16" (116mm) and 7-3/16" (183mm) wall depths.
- Optional factory-applied EnduraClad® exterior trim.

Door Panels

- Select softwood, immersion treated with Pella's EnduraGuard® wood protection formula in accordance with WDMA I.S.-4. The EnduraGuard formula includes three active ingredients for protection against the effects of moisture, decay, stains from mold and mildew. Plus, an additional ingredient adds protection against termite damage.
- Interior exposed surfaces are veneered with [pine] [mahogany].
- Exterior surfaces are clad with aluminum.
- Panel stiles have LVL core with finger-jointed edge bands on both sides and veneered on both faces.
- Panel rails are three-ply construction, randomly finger-jointed blocks laminated with water-resistant glue and veneered on both sides.
- Corners are secured with metal fasteners and structural adhesive.
- Panel thickness is 2-1/16" (52 mm).
- Panel exterior profile is [ogee] [putty glaze], interior profile is ogee.
- Vent panels have two adjustable ABEC 5 sealed electroplated steel ball-bearing rollers with organic coating, set on stainless steel track, standard.
 - or -
- Two adjustable corrosion-resistant stainless steel ball-bearing rollers; out of-unit option.

Weatherstripping

- Dual-durometer extruded polymer with bulb at head, jamb and threshold. Corners are welded along perimeter of door panels.

Glazing System¹

- Quality fully-tempered float glass complying with ASTM C 1048.
- Silicone-glazed, [13/16"] [7/8"] double-pane, dual-seal, impact-resistant, laminated, insulating glass
 - PVB Laminated clear exterior light, tempered interior light.
 - Clear with air.
 - [Bronze] [Gray] [Green] with air.
 - [Advanced Low-E] [SunDefense™ Low-E] with argon.

Exterior

- Exterior aluminum surfaces are finished with EnduraClad multi stage finish system.
 - Color is [Standard] [custom₂].
 - or -
- Exterior aluminum surfaces are finished with EnduraClad Plus 70% fluoropolymer-based multi-stage finish system.
 - Color is [Standard] [custom₂].

Interior

- [Unfinished, ready for site finishing] [factory primed with one coat acrylic latex] [factory prefinished [paint] [stain]₂].

Hardware

- Interior handle and thumb lock finish is [Bright Brass] [Satin Nickel] [Oil-Rubbed Bronze] [Antique Brass] [Polished Nickel] [Polished Chrome] [Distressed Bronze] [Distressed Nickel] [baked enamel [Champagne] [White] [Brown] [Matte Black]].
- Exterior handle finish is baked enamel, color to match door cladding.
- Keylock with K-keyway cylinder.
- Multiple point lock hardware is electroplated steel with stainless steel strikes.
- The foot bolt has a Black finish.

Optional Products

Grilles

- Integral Light Technology® Grilles
 - Interior grilles are [5/8"] [7/8"] [1-1/4"] [2"] ogee profile that are solid [Pine] [mahogany]. Interior surfaces are [unfinished, ready for site finishing] [factory primed] [pine: factory prefinished [paint] [stain] ₂].
 - Exterior grilles are [5/8" putty profile] [7/8" [putty] [ogee] profile] [1-1/4" [putty] [ogee] profile] [2" ogee profile] that are extruded aluminum, finished to match door cladding.
 - Patterns are [Traditional] [Prairie] [Top Row] [Cross] [New England] [Victorian].
 - Insulating glass contains non-glare spacer between the panes of glass.
 - Grilles are adhered to both sides of the insulating glass with VHB acrylic adhesive tape and aligned with the non-glare spacer.
 - or -
- Grilles-Between-the-Glass₃
 - Insulating glass contains 3/4" contoured aluminum grilles permanently installed between two panes of glass.
 - Patterns are [Traditional] [Prairie] [Cross] [Top Row]
 - Interior color is [White] [Tan₄] [Brown₄] [Putty₄] [Black] [Morning Sky Gray] [Ivory] [Sand Dune] [Harvest] [Cordovan] [Brickstone].
 - Exterior color₅ is [standard₂].

Screens

- InView™ Screens
 - Vinyl-coated 18/18 mesh fiberglass screen cloth complying with the performance requirements of SMA 1201, set in aluminum frame fitted to inside of door, supplied complete with all necessary hardware.
 - Self-closing screen assembly is top-hung on two adjustable nylon rollers installed on room side of door panels.
 - Screen frame exterior is painted to match exterior color.
 - Screen frame interior is [pine] [mahogany] veneer wrapped over extruded aluminum [Unfinished] [prefinished to match door₆].
 - or -
- Roloscreen® Retractable Screens
 - Self-storing, rolling, black vinyl-coated 18/16 mesh fiberglass screen cloth complying with ASTM D 3656 and SMA 1201 mounted to fixed panel and covered by veneered aluminum.
 - Cover finish is [factory prefinished paint] [[pine] [mahogany] veneer wrapped over extruded aluminum with factory prefinished stain₂].
 - Available on two- and three-panel sliding patio doors.

(1) Insulating glass with argon is Low-E coated. All other insulating glass is air-filled.

(2) Contact your local Pella sales representative for current color options.

(3) Available in clear or Low-E insulating glass only.

(4) Tan, Brown and Putty Interior GBG colors are available in single-tone (Putty/Putty, Brown/Brown or Tan/Tan) (Putty mono). Other interior colors are also available with Tan or Brown exterior.

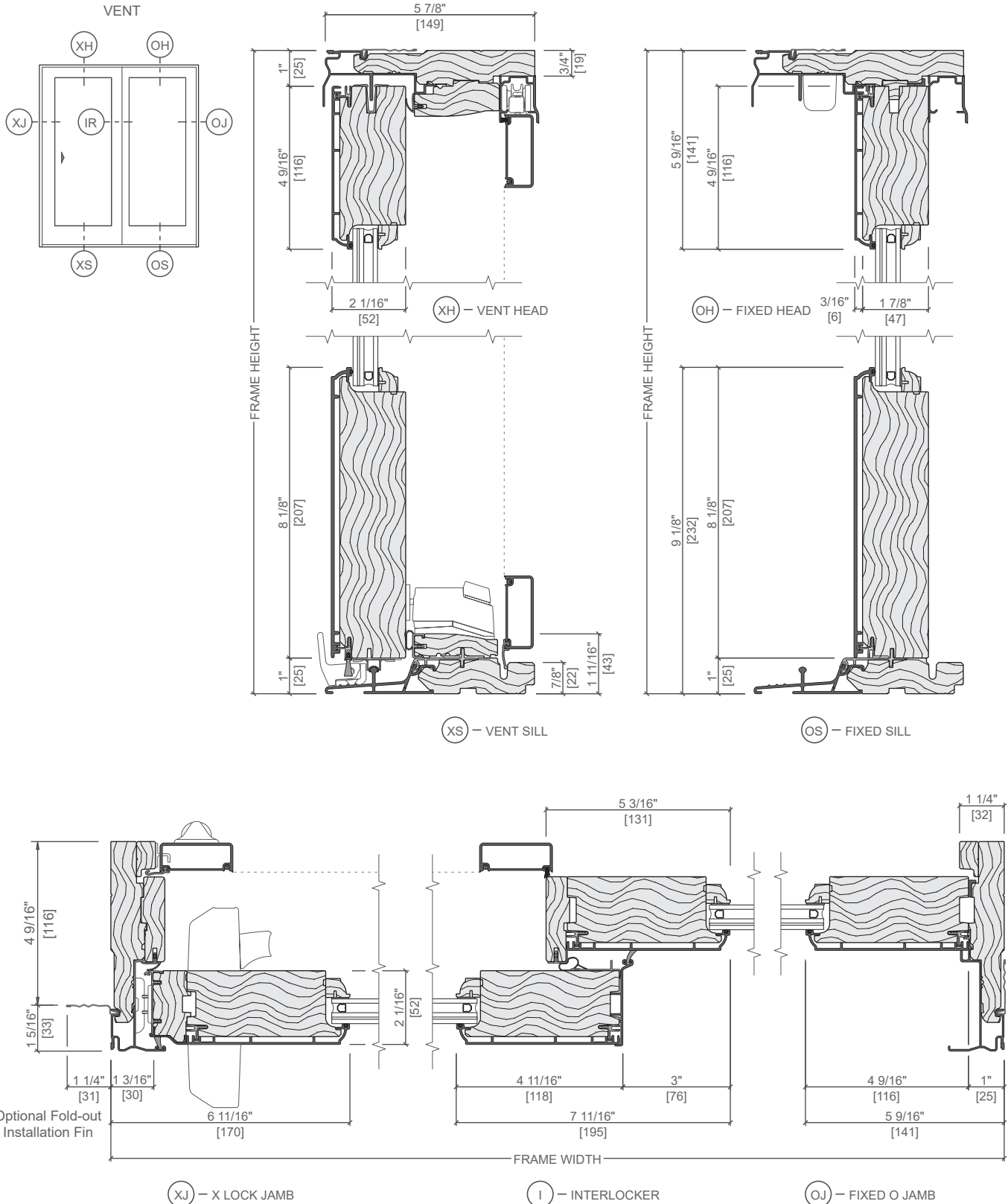
(5) Appearance of exterior grille color will vary depending on Low-E coating on glass.

(6) Prefinished White interior screen frame is only available with White exterior finish.



Pella® Reserve™ Impact-Resistant Sliding Patio Door

Unit Sections - 11/16" Laminated Insulating Glass



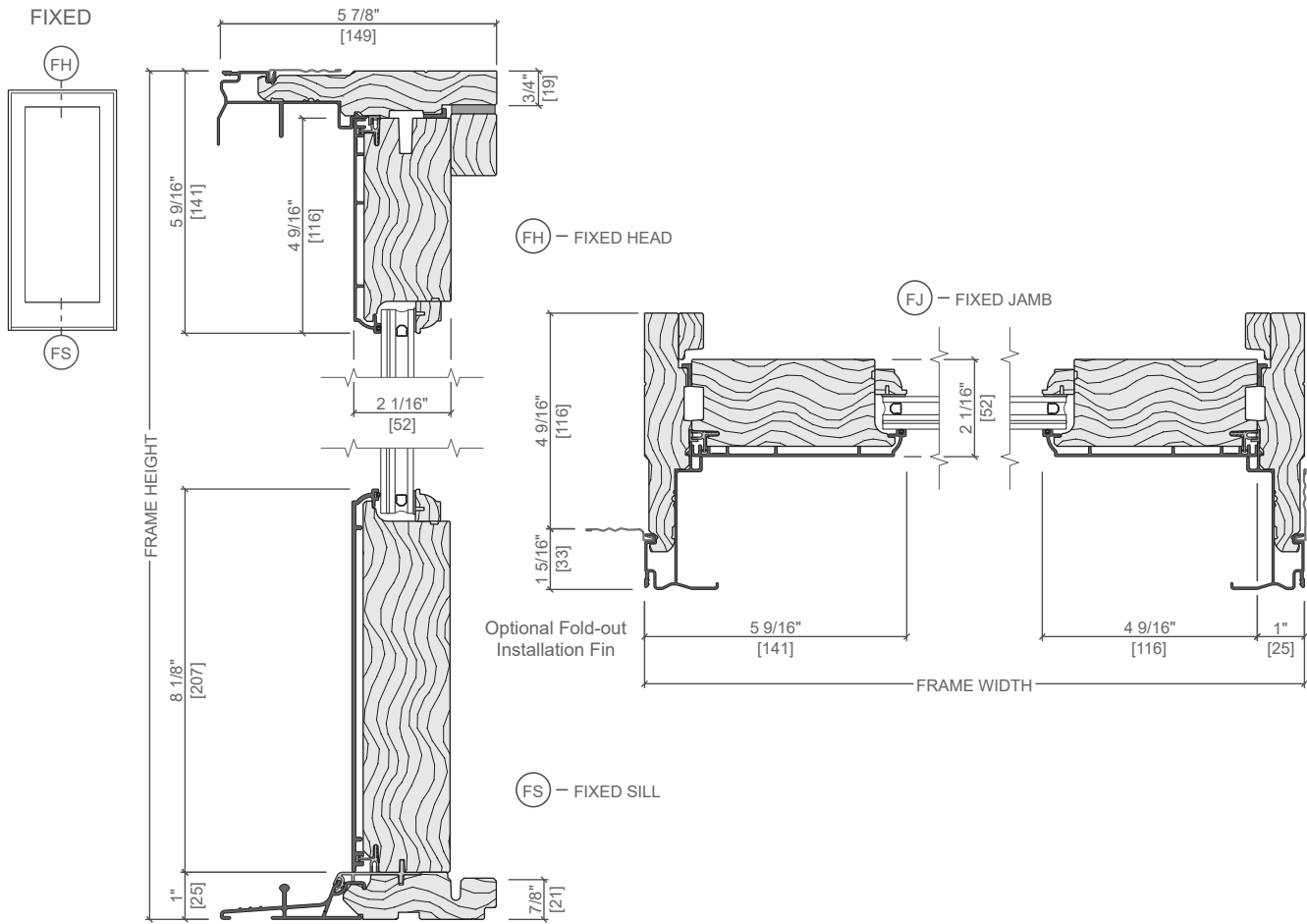
Scale 3" = 1' 0"

All dimensions are approximate.



Pella® Reserve™ Impact-Resistant Sliding Patio Door

Unit Sections - 11/16" Laminated Insulating Glass



Scale 3" = 1' 0"

All dimensions are approximate.