



Product Selection Guide

- Size and Performance Data.....AW-2
- Sound Transmission Class/Outdoor-Indoor Transmission ClassAW-2
- Features and Options.....AW-3
- Combination Assemblies..... AW-4
- Glazing Performance..... AW-5
- Products with Impact-Resistant GlassAW-10
- Grille Types
 - Grille Profiles.....AW-11
 - Typical Grille Patterns AW-12
- Size Tables..... AW-13
- Design Data AW-15
- Detailed Product Descriptions..... AW-17
- Unit Sections
 - Wood CollectionAW-19
 - Clad Awning AW-20
 - Wood Awning AW-22
 - Clad Large Awning..... AW-23
 - Wood Large Awning..... AW-25

Document Navigation Tips:

Items listed in the table of contents above are active links that will take you to the corresponding page. The Pella logo on each page is a link back to this table of contents. Bookmarks are also included in this PDF document and are available as an additional navigation option.

Supporting documents for this product:

Test Reports:

https://media.pella.com/professional/adm/CertificationReports/Test_Reports_AS-Clad.pdf?utm_source=pdfdoc

CSI Specs (readable using Microsoft Word or other text editing application):

https://media.pella.com/professional/adm/Wood-CSI_Specs/08551-R.rtf?utm_source=pdfdoc

AIA Masterspec (readable using Microsoft Word or other text editing application):

https://media.pella.com/professional/adm/Wood-CSI_Specs/Masterspec/085200_fl.doc?utm_source=pdfdoc

Detailed Product Description (readable using Microsoft Word or other text editing application):

Clad: https://media.pella.com/professional/adm/Clad-Wood/PR-Awning-C.rtf?utm_source=pdfdoc

Wood: https://media.pella.com/professional/adm/Clad-Wood/PR-Awning-W.rtf?utm_source=pdfdoc

Size Tables (requires appropriate CAD software to read and use):

https://media.pella.com/professional/adm/Clad-Wood/ASCAWE_D.dwg?utm_source=pdfdoc

CAD cross sections (requires appropriate CAD software to read and use):

https://media.pella.com/professional/adm/Clad-Wood/PR-AW-Detail_D.dwg?utm_source=pdfdoc

3D & BIM (requires appropriate software to read and use):

https://media.pella.com/professional/adm/RevitFiles/PR-Revit/Window-Awning-Pella-Reserve-Traditional.zip?utm_source=pdfdoc

Sketchup (requires appropriate software to read and use):

https://media.pella.com/professional/adm/Clad-Wood/PellaSKP_PellaReserve_Traditional_Awning.zip?utm_source=pdfdoc

Combination Recommendations:

https://media.pella.com/professional/adm/Clad-Wood/D_Combinations.pdf?utm_source=pdfdoc

Installation Details:

https://media.pella.com/professional/adm/Clad-Wood/F_InstallationDetails.pdf?utm_source=pdfdoc

Impact-Resistant Awning, Complete Product Information:

https://media.pella.com/professional/adm/Clad-Wood/Pella-ImpactResistant_Awning.pdf?utm_source=pdfdoc

Microsoft and Microsoft Word are registered trademarks of Microsoft Corp.



Pella® Reserve™ Traditional Awning Window

Size and Performance Data

Awning	Clad	Wood
Sizes		
Standard vent/ fixed sizes	●	●
Special sizes available	●	●
Performance₁		
Meets or Exceeds AAMA/WDMA Ratings	CW40 - CW50 Hallmark Certified	LC40 - LC50 Hallmark Certified
Air Infiltration (cfm/ft ² of frame @ 1.57 psf wind pressure) ₂	0.05	0.05
Water Resistance	7.5 psf	7.5 psf
Design Pressure	40 - 50 psf	40 - 50 psf
Other Performance Criteria		
Forced Entry Resistance Level (Minimum Security Grade) ₃	10	10

Large Awning

Sizes		
Standard Vent Sizes	●	●
Special Sizes Available	●	●
Performance₁		
Meets or Exceeds AAMA/WDMA Ratings	LC30 - LC40 Hallmark Certified	LC30 - LC40 Hallmark Certified
Air Infiltration (cfm/ft ² of frame @ 1.57 psf wind pressure) ₂	0.05	0.05
Water Resistance	7.5 psf	4.6 - 7.5 psf
Design Pressure	30 - 40 psf	30 - 40 psf
Products with Impact-Resistant Glass	CW75 Hallmark Certified	-
Other Performance Criteria		
Forced Entry Resistance Level (Minimum Security Grade) ₃	10	10
Operating Force (lb) Initiate Motion / Maintain Motion (of Hallmark tested size and glazing) ₅	15/6	15/6

Sound Transmission Class / Outdoor-Indoor Transmission Class

Product	Frame Size Tested ₄	Glazing System				STC Rating	OITC Rating
		Overall Glazing Thickness	Exterior Glass Thickness	Interior Glass Thickness	Third Pane Thickness		
Clad Awning Windows	Vent without Grilles						
	53" x 29"	11/16"	2.5mm	2.5mm	-	27	23
	59" x 23"	11/16"	5mm	3mm	-	32	27
	59" x 23"	11/16"	3mm	6.0mm PVB	-	33	28
	59" x 23"	1"	3mm	3mm	3mm	30	24
	Fixed without Grilles						
	47" x 59"	11/16"	3mm	3mm	-	28	24
	47" x 59"	11/16"	5mm	3mm	-	31	27
Clad Fixed Windows with Impact-Resistant Laminated glass	Fixed without Grilles						
	47" x 59"	11/16"	3mm	7.6mm PVB	-	33	29
	47" x 59"	1"	5mm	10.1mm SGP	-	33	29

(-) = Not Available

(1) Maximum performance for single unit when glazed with the appropriate glass thickness. See Design Data pages in this section for specific product performance class and grade values. Values shown are for standard and special sizes; Custom sizes may not have the same values. Contact your local sales representative for complete information.

(2) Published performance data for air infiltration is determined by testing a minimum of four (4) products of NFRC model size. Testing is conducted in accordance with ASTM E283. Air infiltration ratings for products will differ by size. The performance data does not apply to combination assemblies unless noted. Actual product performance may vary for a number of reasons including installation and product care.

(3) The higher the level, the greater the product's ability to resist forced entry.

(4) ASTM E 1425 defines standard sizes for acoustical testing. Ratings achieved at that size are representative of all sizes of the same configuration.

(5) Glazing configurations may result in higher operational forces.

NOTE: Performance with additional options may not be the same as Standard and Special size units. Please contact your local Pella representative for complete information.



Pella® Reserve™ Traditional Awning Window

Features and Options

Standard	Options / Upgrades
Glazing	
Glazing Type	
Dual-Pane Insulating Glass	Triple-Pane Insulating Glass
Insulated Glass Options/Low-E Types	
Advanced Low-E	SunDefense™ Low-E
	SunDefense+ Low-E
	AdvancedComfort Low-E
	NaturalSun Low-E
	NaturalSun+ Low-E
	Clear (no Low-E coating)
Additional Glass Options	
Annealed Glass	Tempered Glass
	Obscure Glass ₁
	Tinted Glass (Bronze, Gray and Green)
	Noise reduction glass (3mm/5mm or 4mm/6mm combination)
	Noise reduction laminated glass (non-impact)
	Impact-Resistant laminated glass
Gas Fill/High Altitude	
Argon	High altitude
	High Altitude with Argon
Exterior	
Exterior Sash Profile	
Ogee - clad, Putty - wood	Putty - clad
Exterior Finish	
EnduraClad® protective finish	EnduraClad Plus protective finish, Factory Primed Pine wood exterior, Unfinished Mahogany wood exterior
Interior	
Interior Sash Profile	
Ogee	—
Interior Finish	
Unfinished wood	Factory primed
	Factory prefinished paint ₁
	Factory prefinished stain ₁
Hardware	
Hardware Type	
Wash hinge Hardware	—
Hardware Style	
Standard Fold away crank	Antiek Fold away crank
Hardware Finishes	
Champagne, White, Brown or Matte Black	Satin Brass, Satin Nickel, Oil-Rubbed Bronze, Distressed Bronze, Distressed Nickel ₂
Sash Locks	
SureLock® System	—
Unison Lock System ₃	—
Grilles	
Integral Light Technology® Grilles	
—	Traditional, Prairie, Top Row, Cross or Custom-Equally Divided
Grilles-Between-the-Glass	
—	Traditional, Prairie, Top Row ₁ , Cross or Custom-Equally Divided
Screens	
—	InView™ screens

(1) Contact your local Pella sales representative for current designs and color options.

(2) Satin Brass, Distressed Bronze, and Distressed Nickel are only available with Antiek Fold Away Crank.

(3) Unit width determines availability.



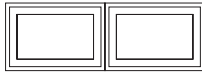
Pella® Reserve™ Traditional Awning Window

Combination Assemblies

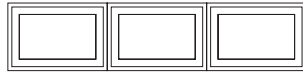
Combinations are a great way to create visual interest in any project. A combination is an assembly formed by two or more separate windows or doors whose frames are mullioned together by a direct or reinforcing mullion.

Pella window combinations are available in a variety of arrangements. Below are some examples of factory-assembled combinations. See the Combinations Recommendations document for typical mullions, requirements and limitations.

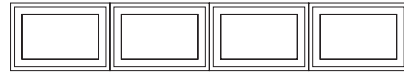
Contact your local Pella sales representative for more information.



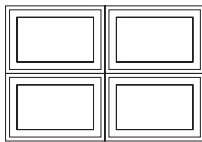
Two-Wide



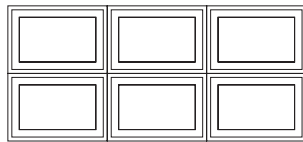
Three-Wide



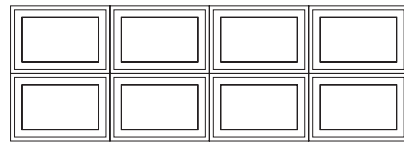
Four-Wide



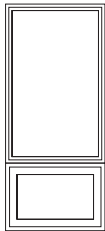
Two-Wide
Two-High



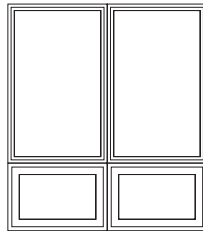
Three-Wide
Two-High



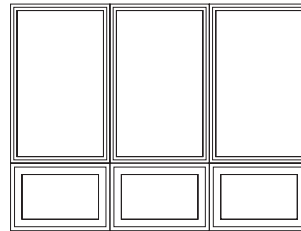
Four-Wide
Two-High



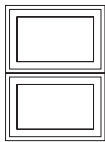
Clad Frame over
Single-Wide



Two-Wide Clad Frame
over Two-Wide



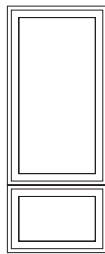
Three-Wide Clad Frame
over Three-Wide



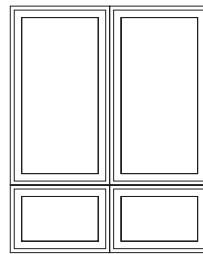
Two-High



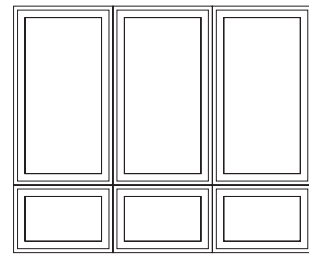
Three-High



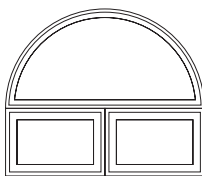
Casement over
Single



Two-Wide Casement over
Two-Wide Awning



Three-Wide Casement over
Three-Wide Awning



Half Circle over
Two-Wide



Pella® Reserve™ Traditional Awning Window

Glazing Performance - Total Unit

Glazing Thickness	Type of Glazing	NFRC Certified Product #	Glass (mm)		Gap Fill	Performance Values ¹				Shaded Areas Meet ENERGY STAR® Performance Criteria in Zones Shown				
			Ext.	Int.		U-Factor	SHGC	VLT	CR	U. S.				Canada ²
										Zone				ER
Vent Dual-Pane Glazing Awning and Large Awning - Aluminum-Clad Exterior										N	NC	SC	S	CA
11/16"	Clear IG	PEL-N-30-14359-00001	3	3	air	0.46	0.57	0.59	42					
	with grilles-between-the-glass	PEL-N-30-14360-00001				0.46	0.52	0.54	42					
	with integral grilles	PEL-N-30-14361-00001				0.45	0.52	0.54	42					
11/16"	Advanced Low-E IG	PEL-N-30-14551-00001	3	3	argon	0.29	0.27	0.51	56					
	with grilles-between-the-glass	PEL-N-30-14552-00001				0.29	0.25	0.46	56					
	with integral grilles	PEL-N-30-14553-00001				0.29	0.25	0.46	56					
11/16"	SunDefense™ Low-E IG	PEL-N-30-14555-00001	3	3	argon	0.28	0.20	0.47	56			SC	S	
	with grilles-between-the-glass	PEL-N-30-14556-00001				0.28	0.19	0.42	56			SC	S	
	with integral grilles	PEL-N-30-14557-00001				0.29	0.19	0.42	56				S	
11/16"	SunDefense+ Low-E IG	PEL-N-30-15315-00001	3	3	argon	0.25	0.20	0.46	44		NC	SC	S	
	with grilles-between-the-glass	PEL-N-30-15316-00001				0.25	0.18	0.41	44		NC	SC	S	
	with integral grilles	PEL-N-30-15317-00001				0.25	0.18	0.41	44		NC	SC	S	
11/16"	AdvancedComfort Low-E IG	PEL-N-30-14563-00001	3	3	argon	0.26	0.27	0.49	44					
	with grilles-between-the-glass	PEL-N-30-14564-00001				0.26	0.24	0.45	44					
	with integral grilles	PEL-N-30-14565-00001				0.26	0.24	0.45	44					
11/16"	NaturalSun Low-E IG	PEL-N-30-14559-00001	3	3	argon	0.30	0.50	0.57	56					
	with grilles-between-the-glass	PEL-N-30-14560-00001				0.30	0.46	0.52	56					
	with integral grilles	PEL-N-30-14561-00001				0.30	0.46	0.52	56					
11/16"	NaturalSun+ Low-E IG	PEL-N-30-15243-00001	3	3	argon	0.26	0.46	0.56	43	N				34 CA
	with grilles-between-the-glass	PEL-N-30-15244-00001				0.26	0.42	0.51	43	N				
	with integral grilles	PEL-N-30-15245-00001				0.26	0.42	0.51	43	N				
Tinted Glazing														
11/16"	Bronze Advanced Low-E IG	PEL-N-30-14687-00002	5	3	argon	0.30	0.24	0.33	55					
	with grilles-between-the-glass	PEL-N-30-14688-00002				0.30	0.22	0.30	55				S	
	with integral grilles	PEL-N-30-14689-00002				0.30	0.22	0.30	55				S	
11/16"	Gray Advanced Low-E IG	PEL-N-30-14687-00003	5	3	argon	0.30	0.22	0.28	55				S	
	with grilles-between-the-glass	PEL-N-30-14688-00003				0.30	0.20	0.26	55				S	
	with integral grilles	PEL-N-30-14689-00003				0.30	0.20	0.26	55				S	
11/16"	Green Advanced Low-E IG	PEL-N-30-14687-00004	5	3	argon	0.30	0.27	0.44	55					
	with grilles-between-the-glass	PEL-N-30-14688-00004				0.30	0.25	0.40	55					
	with integral grilles	PEL-N-30-14689-00004				0.30	0.25	0.40	55					
High Altitude Glazing														
11/16"	Advanced Low-E IG	PEL-N-30-14383-00001	3	3	air	0.32	0.27	0.51	52					
	with grilles-between-the-glass	PEL-N-30-14384-00001				0.32	0.25	0.46	52					
	with integral grilles	PEL-N-30-14385-00001				0.33	0.25	0.46	52					
11/16"	SunDefense Low-E IG	PEL-N-30-14407-00001	3	3	air	0.32	0.21	0.47	52				S	
	with grilles-between-the-glass	PEL-N-30-14408-00001				0.32	0.19	0.42	52				S	
	with integral grilles	PEL-N-30-14409-00001				0.32	0.19	0.42	52				S	
11/16"	SunDefense+ Low-E IG	PEL-N-30-15311-00001	3	3	air	0.28	0.20	0.46	40			SC	S	
	with grilles-between-the-glass	PEL-N-30-15312-00001				0.28	0.18	0.41	40			SC	S	
	with integral grilles	PEL-N-30-15313-00001				0.28	0.18	0.41	40			SC	S	
11/16"	AdvancedComfort Low-E IG	PEL-N-30-14455-00001	3	3	air	0.28	0.27	0.49	40					
	with grilles-between-the-glass	PEL-N-30-14456-00001				0.28	0.24	0.45	40					
	with integral grilles	PEL-N-30-14457-00001				0.28	0.24	0.45	40					
11/16"	NaturalSun Low-E IG	PEL-N-30-14431-00001	3	3	air	0.33	0.50	0.57	52					
	with grilles-between-the-glass	PEL-N-30-14432-00001				0.33	0.45	0.52	52					
	with integral grilles	PEL-N-30-14433-00001				0.34	0.45	0.52	52					
11/16"	NaturalSun+ Low-E IG	PEL-N-30-15239-00001	3	3	air	0.29	0.45	0.56	39					
	with grilles-between-the-glass	PEL-N-30-15240-00001				0.29	0.41	0.51	39					
	with integral grilles	PEL-N-30-15241-00001				0.29	0.41	0.51	39					

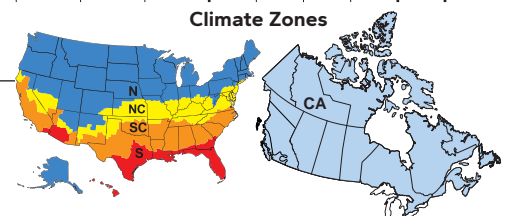
R-Value = 1/U-Factor, SHGC = Solar Heat Gain Coefficient
 VLT % = Visible Light Transmission, CR = Condensation Resistance
 ER = Canadian Energy Rating

(1) Glazing performance values are calculated for Pine using NFRC 100, NFRC 200 and NFRC 500. Thermal performance of other wood species may vary. ENERGY STAR® values are updated to 2023 (Version 7) criteria.

(2) The values shown are based on Canada's updated ENERGY STAR® 2020 initiative.

Based on unit size, some products will use 2.5 mm glass that will have equivalent or improved performance from what is shown.

Visit www.energystar.gov for Energy Star guidelines.





Pella® Reserve™ Traditional Awning Window

Glazing Performance - Total Unit

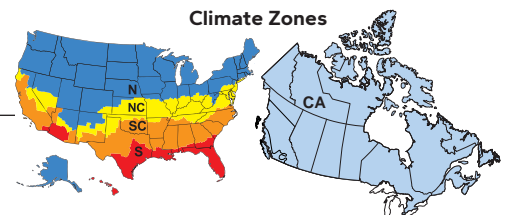
Glazing Thickness	Type of Glazing	NFRC Certified Product #	Glass (mm)			Gap Fill	Performance Values ¹				Shaded Areas Meet ENERGY STAR® Performance Criteria in Zones Shown					
			Ext.	Mid	Int.		U-Factor	SHGC	VLT	CR	U. S.		Canada ²			
											Zone		ER			
Vent Triple-Pane Glazing Awning and Large Awning - Aluminum-Clad Exterior											N	NC	SC	S	CA	
1"	Advanced Low-E IG	PEL-N-30-14571-00001	3	3	3	argon	0.23	0.25	0.44	66		NC				
	with grilles-between-the-glass	PEL-N-30-14572-00001					0.23	0.23	0.40	66		NC	SC	S		
	with integral grilles	PEL-N-30-14573-00001					0.23	0.23	0.40	66		NC	SC	S		
1"	SunDefense™ Low-E IG	PEL-N-30-14575-00001	3	3	3	argon	0.22	0.18	0.41	67	N	NC	SC	S		
	with grilles-between-the-glass	PEL-N-30-14576-00001					0.23	0.17	0.37	67		NC	SC	S		
	with integral grilles	PEL-N-30-14577-00001					0.23	0.17	0.37	67		NC	SC	S		
1"	NaturalSun Low-E IG	PEL-N-30-14567-00001	3	3	3	argon	0.23	0.41	0.50	66	N				35 CA	
	with grilles-between-the-glass	PEL-N-30-14568-00001					0.23	0.37	0.45	66	N	NC				
	with integral grilles	PEL-N-30-14569-00001					0.23	0.37	0.45	66	N	NC				
High Altitude Glazing																
1"	Advanced Low-E IG	PEL-N-30-14507-00001	3	3	3	air	0.26	0.25	0.44	63						
	with grilles-between-the-glass	PEL-N-30-14508-00001					0.26	0.23	0.40	63			SC	S		
	with integral grilles	PEL-N-30-14509-00001					0.26	0.23	0.40	63			SC	S		
1"	SunDefense Low-E IG	PEL-N-30-14515-00001	3	3	3	air	0.26	0.19	0.41	63						
	with grilles-between-the-glass	PEL-N-30-14516-00001					0.26	0.17	0.37	63			SC	S		
	with integral grilles	PEL-N-30-14517-00001					0.26	0.17	0.37	63			SC	S		
1"	NaturalSun Low-E IG	PEL-N-30-14499-00001	3	3	3	air	0.26	0.41	0.50	63	N					
	with grilles-between-the-glass	PEL-N-30-14500-00001					0.26	0.37	0.45	63						
	with integral grilles	PEL-N-30-14501-00001					0.26	0.37	0.45	63						

R-Value = 1/U-Factor
 SHGC = Solar Heat Gain Coefficient
 VLT % = Visible Light Transmission
 CR = Condensation Resistance
 ER = Canadian Energy Rating

(1) Glazing performance values are calculated for Pine using NFRC 100, NFRC 200 and NFRC 500. Thermal performance of other wood species may vary. ENERGY STAR® values are updated to 2023 (Version 7) criteria.

(2) The values shown are based on Canada's updated ENERGY STAR® 2020 initiative.

Visit www.energystar.gov for Energy Star guidelines.





Pella® Reserve™ Traditional Awning Window

Glazing Performance - Total Unit

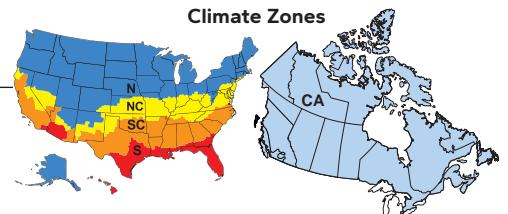
Glazing Thickness	Type of Glazing	NFRC Certified Product #	Glass (mm)		Gap Fill	Performance Values ¹				Shaded Areas Meet ENERGY STAR® Performance Criteria in Zones Shown					
			Ext.	Int.		U-Factor	SHGC	VLT	CR	U. S.		Canada ²			
										Zone		ER	CA		
Vent Dual-Pane Glazing Awning and Large Awning - Wood Exterior										N	NC	SC	S	CA	
11/16"	Clear IG	PEL-N-40-08709-00001	3	3	air	0.43	0.54	0.56	44					18	
	with grilles-between-the-glass	PEL-N-40-08710-00001				0.43	0.49	0.51	44					15	
	with integral grilles	PEL-N-40-08711-00001				0.43	0.49	0.51	44					15	
11/16"	Advanced Low-E IG	PEL-N-40-08877-00001	3	3	argon	0.27	0.26	0.48	60					21	
	with grilles-between-the-glass	PEL-N-40-08878-00001				0.27	0.23	0.43	60			SC	S	20	
	with integral grilles	PEL-N-40-08879-00001				0.27	0.23	0.43	60			SC	S	20	
11/16"	AdvancedComfort Low-E IG	PEL-N-40-08881-00001	3	3	argon	0.26	0.19	0.44	61			SC	S	18	
	with grilles-between-the-glass	PEL-N-40-08882-00001				0.26	0.18	0.40	61			SC	S	18	
	with integral grilles	PEL-N-40-08883-00001				0.27	0.18	0.40	61			SC	S	17	
11/16"	SunDefense™ Low-E IG	PEL-N-40-09585-00001	3	3	argon	0.23	0.19	0.43	48		NC	SC	S	22	
	with grilles-between-the-glass	PEL-N-40-09586-00001				0.23	0.17	0.39	48		NC	SC	S	21	
	with integral grilles	PEL-N-40-09587-00001				0.24	0.17	0.39	48		NC	SC	S	20	
11/16"	SunDefense+ Low-E IG	PEL-N-40-08889-00001	3	3	argon	0.24	0.25	0.47	48		NC			24	
	with grilles-between-the-glass	PEL-N-40-08890-00001				0.24	0.23	0.42	48		NC	SC	S	23	
	with integral grilles	PEL-N-40-08891-00001				0.24	0.23	0.42	48		NC	SC	S	23	
11/16"	NaturalSun Low-E IG	PEL-N-40-08885-00001	3	3	argon	0.28	0.47	0.54	60					32	
	with grilles-between-the-glass	PEL-N-40-08886-00001				0.28	0.43	0.49	60					30	
	with integral grilles	PEL-N-40-08887-00001				0.28	0.43	0.49	60					30	
11/16"	NaturalSun+ Low-E IG	PEL-N-40-09513-00001	3	3	argon	0.24	0.43	0.53	47	N				35	CA
	with grilles-between-the-glass	PEL-N-40-09514-00001				0.24	0.39	0.48	47	N	NC			33	
	with integral grilles	PEL-N-40-09515-00001				0.25	0.39	0.48	47		NC			31	
Tinted Glazing															
11/16"	Bronze Advanced Low-E IG	PEL-N-40-08997-00002	5	3	argon	0.27	0.23	0.31	59			SC	S		
	with grilles-between-the-glass	PEL-N-40-08998-00002				0.28	0.21	0.28	59			SC	S		
	with integral grilles	PEL-N-40-08999-00002				0.28	0.21	0.28	59			SC	S		
11/16"	Gray Advanced Low-E IG	PEL-N-40-08997-00003	5	3	argon	0.27	0.21	0.27	59			SC	S		
	with grilles-between-the-glass	PEL-N-40-08998-00003				0.28	0.19	0.24	59			SC	S		
	with integral grilles	PEL-N-40-08999-00003				0.28	0.19	0.24	59			SC	S		
11/16"	Green Advanced Low-E IG	PEL-N-40-08997-00004	5	3	argon	0.27	0.26	0.42	59						
	with grilles-between-the-glass	PEL-N-40-08998-00004				0.28	0.24	0.38	59						
	with integral grilles	PEL-N-40-08999-00004				0.28	0.24	0.38	59						
High Altitude Glazing															
11/16"	Advanced Low-E IG	PEL-N-40-08733-00001	3	3	air	0.30	0.26	0.48	56						
	with grilles-between-the-glass	PEL-N-40-08734-00001				0.30	0.24	0.43	56						
	with integral grilles	PEL-N-40-08735-00001				0.31	0.24	0.43	56						
11/16"	AdvancedComfort Low-E IG	PEL-N-40-08757-00001	3	3	air	0.30	0.19	0.44	56					S	
	with grilles-between-the-glass	PEL-N-40-08758-00001				0.30	0.18	0.40	56					S	
	with integral grilles	PEL-N-40-08759-00001				0.30	0.18	0.40	56					S	
11/16"	SunDefense Low-E IG	PEL-N-40-09581-00001	3	3	air	0.26	0.19	0.43	44			SC	S		
	with grilles-between-the-glass	PEL-N-40-09582-00001				0.26	0.17	0.39	44			SC	S		
	with integral grilles	PEL-N-40-09583-00001				0.26	0.17	0.39	44			SC	S		
11/16"	SunDefense+ Low-E IG	PEL-N-40-08805-00001	3	3	air	0.26	0.25	0.47	43						
	with grilles-between-the-glass	PEL-N-40-08806-00001				0.26	0.23	0.42	43			SC	S		
	with integral grilles	PEL-N-40-08807-00001				0.26	0.23	0.42	43			SC	S		
11/16"	NaturalSun Low-E IG	PEL-N-40-08781-00001	3	3	air	0.31	0.47	0.54	56						
	with grilles-between-the-glass	PEL-N-40-08782-00001				0.31	0.43	0.49	56						
	with integral grilles	PEL-N-40-08783-00001				0.31	0.43	0.49	56						
11/16"	NaturalSun+ Low-E IG	PEL-N-40-09509-00001	3	3	air	0.27	0.43	0.53	43						
	with grilles-between-the-glass	PEL-N-40-09510-00001				0.27	0.39	0.48	43						
	with integral grilles	PEL-N-40-09511-00001				0.27	0.39	0.48	43						

R-Value = 1/U-Factor, SHGC = Solar Heat Gain Coefficient
 VLT % = Visible Light Transmission, CR = Condensation Resistance
 ER = Canadian Energy Rating

(1) Glazing performance values are calculated for Pine using NFRC 100, NFRC 200 and NFRC 500. Thermal performance of other wood species may vary. ENERGY STAR® values are updated to 2023 (Version 7) criteria.

(2) The values shown are based on Canada's updated ENERGY STAR® 2020 initiative.

Based on unit size, some products will use 2.5 mm glass that will have equivalent or improved performance from what is shown. Visit www.energystar.gov for Energy Star guidelines.





Pella® Reserve™ Traditional Awning Window

Glazing Performance - Total Unit

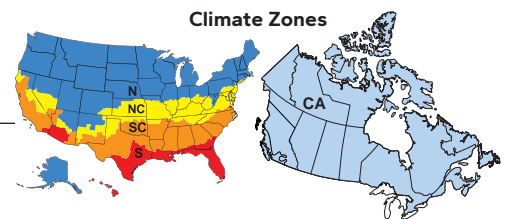
Glazing Thickness	Type of Glazing	NFRC Certified Product #	Glass (mm)			Gap Fill	Performance Values ¹				Shaded Areas Meet ENERGY STAR® Performance Criteria in Zones Shown						
			Ext.	Mid	Int.		U-Factor	SHGC	VLT	CR	U. S.				Canada ²		
											Zone				ER		
Vent Triple-Pane Glazing Awning and Large Awning - Wood Exterior											N	NC	SC	S			CA
1"	Advanced Low-E IG	PEL-N-40-08897-00001	3	3	3	argon	0.21	0.23	0.42	72	N	NC	SC	S	27	CA	
	with grilles-between-the-glass	PEL-N-40-08898-00001					0.21	0.21	0.38	72	N	NC	SC	S	26	CA	
	with integral grilles	PEL-N-40-08899-00001					0.21	0.21	0.38	72	N	NC	SC	S	26	CA	
1"	SunDefense™ Low-E IG	PEL-N-40-08901-00001	3	3	3	argon	0.20	0.17	0.38	72	N	NC	SC	S	25	CA	
	with grilles-between-the-glass	PEL-N-40-08902-00001					0.21	0.16	0.35	72		NC	SC	S			
	with integral grilles	PEL-N-40-08903-00001					0.21	0.16	0.35	72		NC	SC	S			
1"	NaturalSun Low-E IG	PEL-N-40-08893-00001	3	3	3	argon	0.21	0.39	0.47	71	N	NC			36	CA	
	with grilles-between-the-glass	PEL-N-40-08894-00001					0.21	0.35	0.43	71	N	NC			34	CA	
	with integral grilles	PEL-N-40-08895-00001					0.21	0.35	0.43	71	N	NC			34	CA	
High Altitude Glazing																	
1"	Advanced Low-E IG	PEL-N-40-08845-00001	3	3	3	air	0.24	0.23	0.42	67		NC	SC	S			
	with grilles-between-the-glass	PEL-N-40-08846-00001					0.24	0.21	0.38	67		NC	SC	S			
	with integral grilles	PEL-N-40-08847-00001					0.24	0.21	0.38	67		NC	SC	S			
1"	SunDefense Low-E IG	PEL-N-40-08853-00001	3	3	3	air	0.24	0.18	0.38	68		NC	SC	S			
	with grilles-between-the-glass	PEL-N-40-08854-00001					0.24	0.16	0.35	68		NC	SC	S			
	with integral grilles	PEL-N-40-08855-00001					0.24	0.16	0.35	68		NC	SC	S			
1"	NaturalSun Low-E IG	PEL-N-40-08837-00001	3	3	3	air	0.24	0.39	0.47	67	N	NC					
	with grilles-between-the-glass	PEL-N-40-08838-00001					0.24	0.35	0.43	67	N	NC					
	with integral grilles	PEL-N-40-08839-00001					0.24	0.35	0.43	67	N	NC					

R-Value = 1/U-Factor
 SHGC = Solar Heat Gain Coefficient
 VLT % = Visible Light Transmission
 CR = Condensation Resistance
 ER = Canadian Energy Rating

(1) Glazing performance values are calculated for Pine using NFRC 100, NFRC 200 and NFRC 500. Thermal performance of other wood species may vary. ENERGY STAR® values are updated to 2023 (Version 7) criteria.

(2) The values shown are based on Canada's updated ENERGY STAR® 2020 initiative.

See the Product Performance section for more detailed information or visit www.energystar.gov for Energy Star guidelines.





Pella® Reserve™ Traditional Awning Window

Glazing Performance - Total Unit

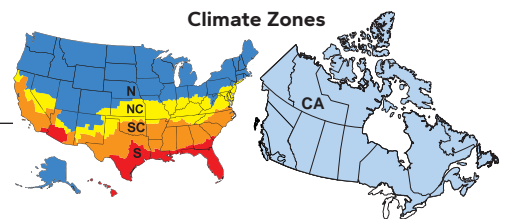
Glazing Thickness	Type of Glazing	NFRC Certified Product #	Glass (mm)		Gap Fill	Performance Values ¹				Shaded Areas Meet ENERGY STAR® Performance Criteria in Zones Shown				
			Ext.	Int.		U-Factor	SHGC	VLT	CR	U. S.		Canada ²		
										Zone		ER		
Laminated Impact-Resistant Glass										N	NC	SC	S	CA
11/16"	Clear	PEL-N-30-14475-00001	3	8	air	0.48	0.53	0.58	40					
	with grilles-between-the-glass	PEL-N-30-14476-00001				0.49	0.48	0.52	40					
	with integral grilles	PEL-N-30-14477-00001				0.49	0.48	0.52	40					
11/16"	Advanced Low-E IG	PEL-N-30-14603-00001	3	8	argon	0.34	0.27	0.49	52					
	with grilles-between-the-glass	PEL-N-30-14604-00001				0.35	0.25	0.44	52					
	with integral grilles	PEL-N-30-14605-00001				0.35	0.25	0.44	52					
11/16"	SunDefense™ Low-E IG	PEL-N-30-14599-00001	3	8	argon	0.33	0.20	0.45	52					
	with grilles-between-the-glass	PEL-N-30-14600-00001				0.35	0.19	0.41	52					
	with integral grilles	PEL-N-30-14601-00001				0.34	0.19	0.41	52					
1"	Clear	PEL-N-30-14523-00001	5	10	air	0.45	0.52	0.57	42					
	with grilles-between-the-glass	PEL-N-30-14524-00001				0.44	0.47	0.52	42					
	with integral grilles	PEL-N-30-14525-00001				0.44	0.47	0.52	42					
1"	Advanced Low-E IG	PEL-N-30-14683-00001	5	10	argon	0.29	0.26	0.48	54					
	with grilles-between-the-glass	PEL-N-30-14684-00001				0.29	0.24	0.44	54					
	with integral grilles	PEL-N-30-14685-00001				0.29	0.24	0.44	54					
1"	SunDefense Low-E IG	PEL-N-30-14679-00001	5	10	argon	0.28	0.20	0.45	54			SC	S	
	with grilles-between-the-glass	PEL-N-30-14680-00001				0.29	0.19	0.41	54				S	
	with integral grilles	PEL-N-30-14681-00001				0.29	0.19	0.41	54				S	
Tinted Glazing Laminated Impact-Resistant														
11/16"	Bronze Advanced Low-E IG	PEL-N-30-14603-00002	3	8	argon	0.34	0.25	0.29	52					
	with grilles-between-the-glass	PEL-N-30-14604-00002				0.35	0.23	0.26	52					
	with integral grilles	PEL-N-30-14605-00002				0.35	0.23	0.26	52					
1"	Bronze IG	PEL-N-30-14523-00002	5	10	air	0.45	0.39	0.37	42					
	with grilles-between-the-glass	PEL-N-30-14524-00002				0.44	0.36	0.33	42					
	with integral grilles	PEL-N-30-14525-00002				0.44	0.36	0.33	42					
11/16"	Gray Advanced Low-E IG	PEL-N-30-14603-00003	3	8	argon	0.34	0.25	0.23	52					
	with grilles-between-the-glass	PEL-N-30-14604-00003				0.35	0.23	0.21	52					
	with integral grilles	PEL-N-30-14605-00003				0.35	0.23	0.21	52					
1"	Gray IG	PEL-N-30-14523-00003	5	10	air	0.45	0.36	0.32	42					
	with grilles-between-the-glass	PEL-N-30-14524-00003				0.44	0.32	0.29	42					
	with integral grilles	PEL-N-30-14525-00003				0.44	0.32	0.29	42					
11/16"	Green Advanced Low-E IG	PEL-N-30-14526-00003	3	8	argon	0.45	0.30	0.26	42					
	with grilles-between-the-glass	PEL-N-30-14604-00004				0.35	0.24	0.36	52					
	with integral grilles	PEL-N-30-14605-00004				0.35	0.24	0.36	52					
1"	Green IG	PEL-N-30-14523-00004	5	10	air	0.45	0.38	0.50	42					
	with grilles-between-the-glass	PEL-N-30-14524-00004				0.44	0.35	0.46	42					
	with integral grilles	PEL-N-30-14525-00004				0.44	0.35	0.46	42					

R-Value = 1/U-Factor
 SHGC = Solar Heat Gain Coefficient
 VLT % = Visible Light Transmission
 CR = Condensation Resistance
 ER = Canadian Energy Rating

(1) Glazing performance values are calculated for Pine using NFRC 100, NFRC 200 and NFRC 500. Thermal performance of other wood species may vary. ENERGY STAR® values are updated to 2023 (Version 7) criteria.

(2) The values shown are based on Canada's updated ENERGY STAR® 2020 initiative.

See the Product Performance section for more detailed information or visit www.energystar.gov for Energy Star guidelines.



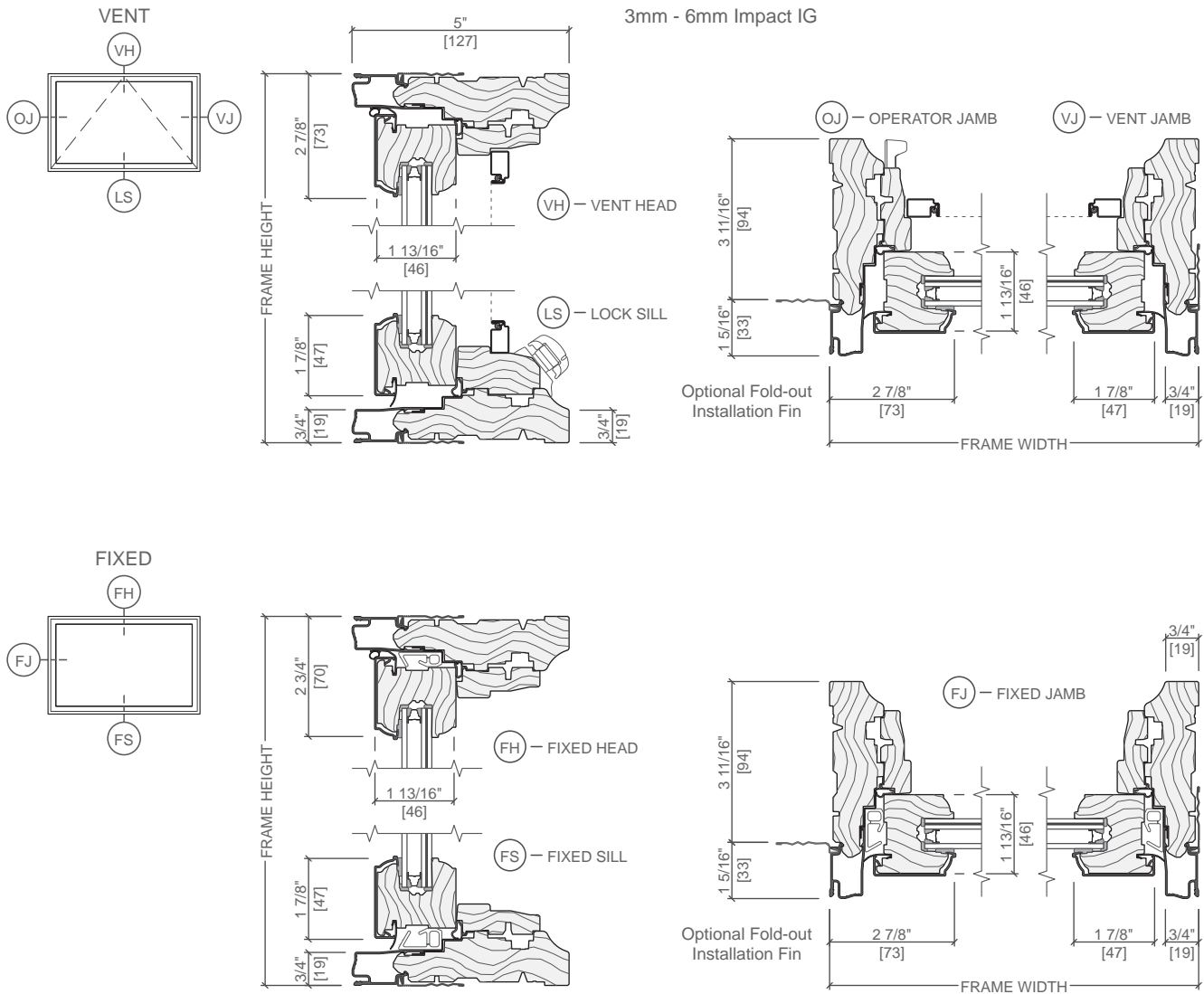


Pella® Reserve™ Traditional Awning Window

Products with Impact-Resistant Glass

For a complete list of ratings, refer to the Impact-Resistant product section.

Product	Design Pressure Large Missile Rating D		Hallmark Certified	Florida Product Approval System
	Minimum	Maximum		
Vent				
11/16" Insulated Glass PVB	75	75	411-H-1339	FL10026.1
1" Insulated Glass SGP	75	+75 / -85	411-H-1339	FL10026.2
Large Fixed				
11/16" Insulated Glass PVB	+55 / -60	+60 / -75	411-H-1339	FL10022.1
1" Insulated Glass SGP	+55 / -60	+60 / -85	411-H-1339	FL10022.4



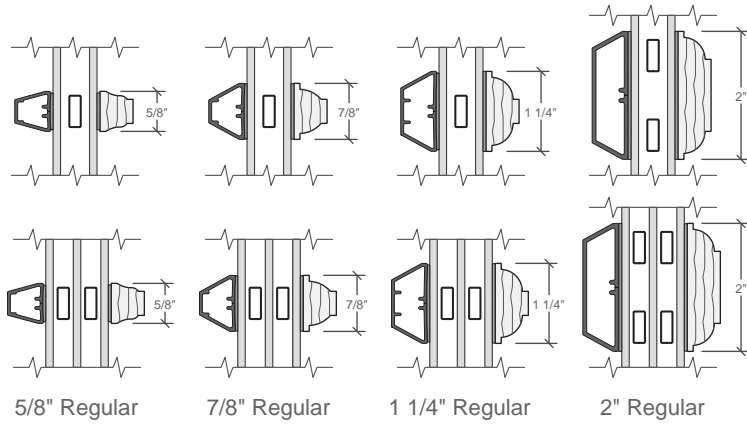
All sizes and glass types are tested for air/water/structural and impact-resistance, and are certified for wind zone 4, large missile rating D. Florida Product Approval System number not needed if Miami-Dade County approved.



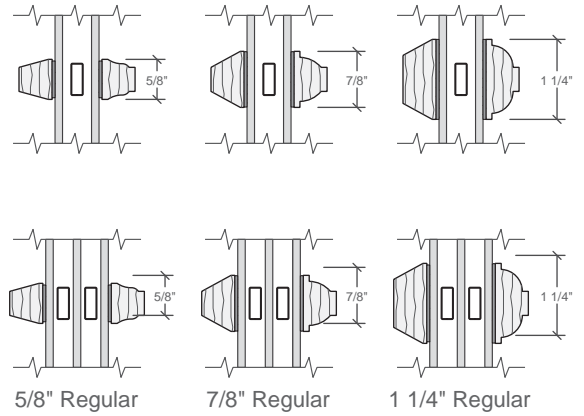
Grille Profiles

Traditional Style Collection - Integral Light Technology®

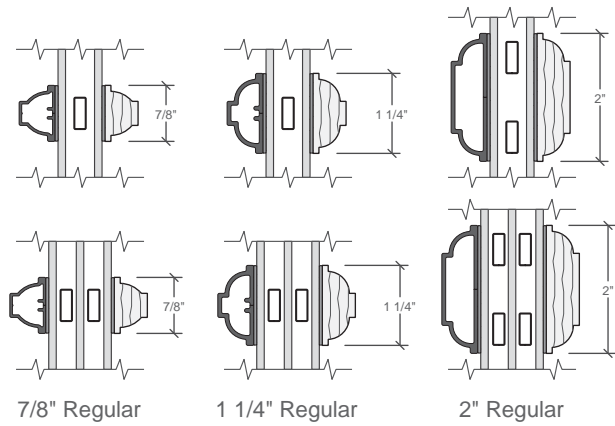
Putty Glaze and Ogee Grilles
Clad Exterior - Wood Interior



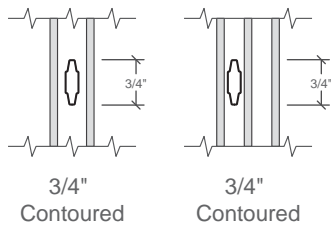
Putty Glaze and Ogee Grilles
Wood Exterior - Wood Interior



Ogee Grilles
Clad Exterior - Wood Interior



Grilles-Between-the-Glass



Interior wood ILT grilles available in Pine, Mahogany or Douglas Fir to match complete unit.
Exterior wood ILT grilles available in Pine or Mahogany to match complete unit.

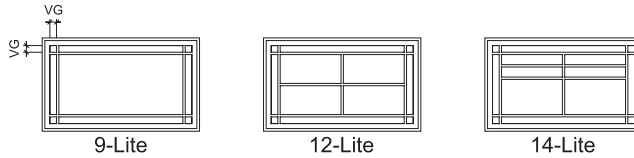


Integral Light Technology® Grilles

Prairie Lite Patterns

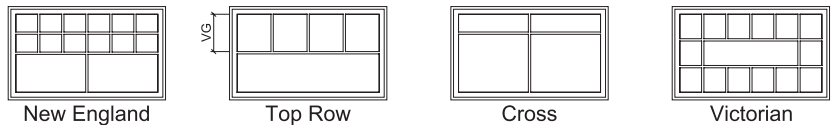
Size range availability is for 3/4", 7/8" and 1-1/4" grille width.
Standard corner lite dimension for Prairie patterns = 2-1/2" Visible Glass (VG).

- 9-Lite**
 - Available in all standard and special sizes.
- 12-Lite**
 - Available in units ≥ 1'9" and ≤ 2'11" in width, and ≥ 1'9" in height.
- 14-Lite**
 - Available in units ≥ 1'9" in width and ≥ 2'11" in height.



Other Available Patterns

- Cross**
 - Standard visible glass to separator bar = one-quarter of total visible glass height.
- New England**
 - Standard visible glass to separator bar = half of total visible glass height.



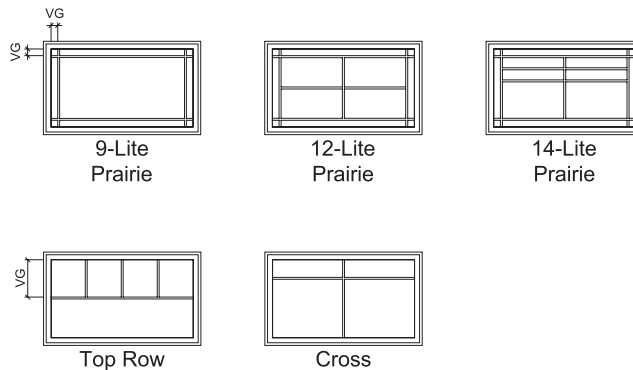
- Top Row**
 - Standard visible glass to separator bar = 14" or half of total visible glass height, whichever is smaller.

Grilles-Between-the-Glass

Prairie Lite Patterns

Size range availability is for 3/4", 7/8" and 1-1/4" grille width.
Standard corner lite dimension for Prairie patterns = 2-1/2" Visible Glass (VG).

- 9-Lite**
 - Available in all standard and special sizes.
- 12-Lite**
 - Available in units ≥ 1'9" and ≤ 2'11" in width, and ≥ 1'9" in height.
- 14-Lite**
 - Available in units ≥ 1'9" in width and ≥ 2'11" in height.



Other Available Patterns

- Cross**
 - Available for units with frame heights ≥ 35". Standard visible glass to separator bar = 1/4 of total visible glass height.
- Top Row**
 - Standard visible glass to separator bar = 14" for frame heights > 35". Standard visible glass to separator bar = 21" for 35" frame heights and optional for 41" frame height. Separator bar at 12" or 16" optional for frame heights > 41".

For traditional patterns, see size tables.

VG = Visible Glass
Lite dimensions noted can vary.
Custom configurations are also available, for details contact your local Pella sales representative.



Pella® Reserve™ Traditional Awning Window

Size Tables

Vent Units

	(451) (432)	(552) (533)	(603) (584)	(654) (635)	(756) (737)
Opening	1' 5 3/4"	1' 9 3/4"	1' 11 3/4"	2' 1 3/4"	2' 5 3/4"
Frame	1' 5"	1' 9"	1' 11"	2' 1"	2' 5"
Unit	1717	2121	2323	2525	2929

Vent and Fixed Units

	(832) (813)	(908) (889)	(1 060) (1 041)	(1 213) (1 194)	(1 365) (1 346)	(1 518) (1 499)	
Opening	2' 8 3/4"	2' 11 3/4"	3' 5 3/4"	3' 11 3/4"	4' 5 3/4"	4' 11 3/4"	
Frame	2' 8"	2' 11"	3' 5"	3' 11"	4' 5"	4' 11"	
Unit	3217, 3221, 3223, 3225, 3229	3517, 3521, 3523, 3525, 3529	4117, 4121, 4123, 4125, 4129	4717, 4721, 4723, 4725, 4729	5317, 5321, 5323, 5325, 5329	5917, 5921, 5923, 5925, 5929	5917, 5921, 5923, 5925, 5929

Standard Awning Special Size Frame Dimensions*

	Minimum	Maximum
Vent	1' 1-3/4" W x 1' 1-3/4" H (13.75" x 13.75") (349 x 349)	4' 5" W x 2' 5" H (53" x 29") (1 346 x 737)
Fixed	10" W x 10" H (254 x 254)	12' W x 12' H (144" x 144") (3 658 x 3 658)

* Available within size range shown. Contact your local Pella representative for availability of Triple-Glazing on larger custom unit sizes.

Max frame area cannot be greater than 19.5 sq ft.

Max Glass Area cannot be greater than 48 sq ft.

Keep frame dimensions to the nearest 1/8" increment. Frame height cannot exceed frame width on special size vent units.

Opening Dimensions

Clad Exterior: Dimensions shown in tables are rough opening dimensions.

Wood Exterior: Use frame dimension plus dimensions below. This dimension includes the use of standard 1-1/8" wood sub sill.

Frame	Rough		Masonry	
Brickmould	Width	Height	Width	Height
STD	+ 3/4"	+1-7/8"	+ 3-1/8"	+ 3-1/8"
3-1/2"	+ 3/4"	+1-7/8"	+ 6-3/8"	+ 4-3/4"

For clad and wood units with impact-resistant glass, see the product installation instructions or refer to local building code requirements.

Fixed Units

Unit	3235	3535	4135	4735	5335	5935
Unit	3241	3541	4141	4741	5341	5941
Unit	3247	3547	4147	4747	5347	5947
Unit	3253	3553	4153	4753	5353	5953
Unit	3259	3559	4159	4759	5359	5959
Unit	3265	3565	4165	4765	5365	5965
Unit	3271	3571	4171	4771	5371	5971
Unit	3273	3573	4173	4773	5373	5973

Not to scale.

Ⓜ Fixed Units only

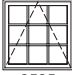
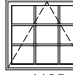
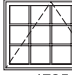
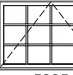
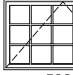
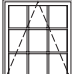
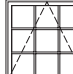
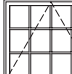
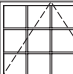

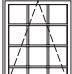
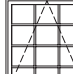

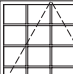

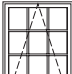
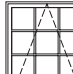

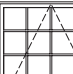

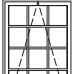
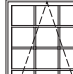
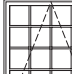
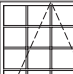

Traditional grille patterns shown.

Contact your local Pella representative for the availability of custom sizes smaller or larger than the parameters shown, Triple-Glazing or other custom fixed shapes.



Size Tables - Large Awning

Vent Units

	(908) (889)	(1 060) (1 041)	(1 213) (1 194)	(1 365) (1 346)	(1 518) (1 499)
Opening	2' 11 ³ / ₄ "	3' 5 ³ / ₄ "	3' 11 ³ / ₄ "	4' 5 ³ / ₄ "	4' 11 ³ / ₄ "
Frame	2' 11"	3' 5"	3' 11"	4' 5"	4' 11"
(908) (889)	 3535	 4135	 4735	 5335	 5935
(1 060) (1 041)	 3541	 4141	 4741	 5341	 5941
(1 213) (1 194)	 3547	 4147	 4747	 5347	 5947
(1 365) (1 346)	 3553	 4153	 4753	 5353	 5953
(1 518) (1 499)	 3559	 4159	 4759	 5359	 5959

Large Awning Special Size Frame Dimensions*

	Minimum	Maximum
Vent	19" W x 15" H (21" x 17") (889 x 889)	6' 1" W x 6' 1" H (73" x 73") (1 854 x 1 854)

* Available within size range shown.

Max Glass Area cannot be greater than 48 Square Feet.

Frame Width and Frame Height cannot both exceed 59".

Sash Weight must be less than 100 lbs.

Keep frame dimensions to the nearest 1/8" increment.

Opening Dimensions

Clad Exterior: Dimensions shown in tables are rough opening dimensions.

Wood Exterior: Use frame dimension plus dimensions below. This dimension includes the use of standard 1-1/8" wood subsill.

Frame	Rough		Masonry	
	Width	Height	Width	Height
Brickmould				
STD	+ 3/4"	+1-7/8"	+ 3-1/8"	+ 3-1/8"
3-1/2"	+ 3/4"	+1-7/8"	+ 6-3/8"	+ 4-3/4"

For clad and wood units with impact-resistant glass, see the product installation instructions or refer to local building code requirements.

Not to scale.

Traditional grille patterns shown.

All units are available as fixed in the Casement section.

Contact your local Pella representative for the availability of custom sizes smaller or larger than the parameters shown, Triple-Glazing or other custom fixed shapes.



Pella® Reserve™ Traditional Awning Window

Design Data

Vent and Fixed								
Unit	Vent Area Ft ²	Visible Glass Ft ²	Standard Glass Thickness (mm)				Performance Class & Grade ⁽¹⁾	
			Dual-Pane Glazing		Triple-Pane Glazing		Clad Exterior	Wood Exterior
			Annealed	Tempered	Annealed	Tempered		
1717v	0.8	0.9	2.5	3	3	3	CW50	LC50
2121v	1.5	1.6	2.5	3	3	3	CW50	LC50
2323v	2.0	2.1	2.5	3	3	3	CW50	LC50
2525v	2.5	2.6	2.5	3	3	3	CW50	LC50
2929v	3.6	3.8	2.5	3	3	3	CW50	LC50
3217	1.8	2.1	2.5	3	3	3	CW50	LC50
3221	2.6	2.8	2.5	3	3	3	CW50	LC50
3223	3.0	3.1	2.5	3	3	3	CW50	LC50
3225	3.3	3.5	2.5	3	3	3	CW50	LC50
3229	4.1	4.2	2.5	3	3	3	CW50	LC50
3517	2.0	2.3	2.5	3	3	3	CW50	LC50
3521	2.9	3.1	2.5	3	3	3	CW50	LC50
3523	3.3	3.5	2.5	3	3	3	CW50	LC50
3525	3.7	3.9	2.5	3	3	3	CW50	LC50
3529	4.5	4.7	2.5	3	3	3	CW50	LC50
4117	2.4	2.8	2.5	3	3	3	CW50	LC50
4121	3.4	3.7	2.5	3	3	3	CW50	LC50
4123	3.9	4.2	2.5	3	3	3	CW50	LC50
4125	4.4	4.7	2.5	3	3	3	CW50	LC50
4129	5.4	5.7	2.5	3	3	3	CW50	LC50
4717	2.8	3.2	2.5	3	3	3	CW50	LC50
4721	4.0	4.4	2.5	3	3	3	CW50	LC50
4723	4.6	4.9	2.5	3	3	3	CW50	LC50
4725	5.2	5.5	2.5	3	3	3	CW50	LC50
4729	6.3	6.7	2.5	3	3	3	CW50	LC50
5317	3.3	3.7	2.5	3	3	3	CW50	LC50
5321	4.6	5.0	2.5	3	3	3	CW50	LC50
5323	5.3	5.7	2.5	3	3	3	CW50	LC50
5325	5.9	6.3	2.5	3	3	3	CW50	LC50
5329	7.3	7.6	2.5	3	3	3	CW50	LC50
5917F	-	4.2	2.5	3	3	3	CW50	LC50
5921F	-	5.6	2.5	3	3	3	CW50	LC50
5923F	-	6.4	2.5	3	3	3	CW45/CW50	LC45/LC50
5925F	-	7.1	2.5	3	3	3	CW45/CW50	LC45/LC50
5929F	-	8.6	2.5	3	3	3	CW45/CW50	LC45/LC50

Fixed Only								
Unit	Visible Glass Ft ²	Standard Glass Thickness (mm)				Performance Class & Grade ⁽¹⁾		
		Dual-Pane Glazing		Triple-Pane Glazing		Clad Exterior	Wood Exterior	
		Annealed	Tempered	Annealed	Tempered			
3235	5.3	2.5	3	3	3	CW50	LC50	
3241	6.4	2.5	3	3	3	CW50	LC50	
3247	7.5	2.5	3	3	3	CW50	LC50	
3253	8.6	2.5	3	3	3	CW50	LC50	
3259	9.7	2.5	3	3	3	CW45/CW50	LC45/LC50	
3265	10.8	3	3	3	3	CW50	LC50	
3271	11.9	3	3	3	3	CW45/CW50	LC45/LC50	
3273	12.3	3	3	3	3	CW45/CW50	LC45/LC50	
3535	5.9	2.5	3	3	3	CW50	LC50	
3541	7.2	2.5	3	3	3	CW50	LC50	
3547	8.4	2.5	3	3	3	CW50	LC50	
3553	9.6	2.5	3	3	3	CW45/CW50	LC45/LC50	
3559	10.8	3	3	3	3	CW50	LC50	
3565	12.0	3	3	3	3	CW50	LC50	
3571	13.3	3	3	3	3	CW45/CW50	LC45/LC50	
3573	13.7	3	3	3	3	CW45/CW50	LC45/LC50	
4135	7.2	2.5	3	3	3	CW50	LC50	
4141	8.6	2.5	3	3	3	CW50	LC50	
4147	10.1	3	3	3	3	CW50	LC50	
4153	11.6	3	3	3	3	CW50	LC50	
4159	13.0	3	3	3	3	CW50	LC50	
4165	14.5	3	3	3	3	CW50	LC50	
4171	16.0	3	3	3	3	CW45/CW50	LC45/LC50	
4173	16.5	3	3	3	3	CW45/CW50	LC45/LC50	
4735	8.4	2.5	3	3	3	CW50	LC50	
4741	10.1	3	3	3	3	CW50	LC50	
4747	11.8	3	3	3	3	CW50	LC50	
4753	13.5	3	3	3	3	CW50	LC50	
4759	15.3	3	3	3	3	CW50	LC50	
4765	17.0	3	3	3	3	CW45/CW50	LC45/LC50	
4771	18.7	4	4	4	4	CW50	LC50	
4773	19.3	4	4	4	4	CW50	LC50	
5335	9.6	2.5	3	3	3	CW45/CW50	LC45/LC50	
5341	11.6	3	3	3	3	CW50	LC50	
5347	13.5	3	3	3	3	CW50	LC50	
5353	15.5	3	4	3	4	CW45/CW50	LC45/LC50	
5359	17.5	3	4	3	4	CW40/CW50	LC40/LC50	
5365	19.4	4	4	4	4	CW50	LC50	
5371	21.4	4	4	4	4	CW50	LC50	
5373	22.1	4	4	4	4	CW50	LC50	
5935	10.8	3	3	3	3	CW45/CW50	LC45/LC50	
5941	13.0	3	3	3	3	CW50	LC50	
5947	15.3	3	3	3	3	CW50	LC50	
5953	17.5	3	4	3	4	CW50	LC50	
5959	19.7	4	4	4	4	CW40/CW50	LC40/LC50	
5965	21.9	4	4	4	4	CW50	LC50	
5971	24.1	4	4	4	4	CW50	LC50	
5973	24.9	4	4	4	4	CW45/CW50	LC45/LC50	
5973	24.9	4	4	4	4	CW45/CW50	LC45/LC50	

Standard Awning Miscellaneous Formulas

Visible Glass	Width = Frame - 5-3/4" Height = Frame - 5-3/4"
Actual Glass	Width = Frame - 4-3/8" Height = Frame - 4-3/8"

V = Vent Only

F = Fixed Units only

(-) = Not Applicable

(1) Maximum performance when glazed with the appropriate glass thickness. Second value, where shown, requires tempered glass.



Pella® Reserve™ Traditional Awning Window

Design Data - Large Awning

Large Awning Vent					
Unit	Vent Area Ft²	Visible Glass Ft²	Standard Glass Thickness (mm)		Performance Class & Grade ⁽¹⁾
			Annealed	Tempered	
2121	0.1	1.6	2.5	3	LC40
2123	0.1	1.8	2.5	3	LC40
2125	0.1	2.0	2.5	3	LC40
2129	0.2	2.5	2.5	3	LC40
2135	0.2	3.1	2.5	3	LC40
2141	0.2	3.7	2.5	3	LC40
2147	0.2	4.4	2.5	3	LC40
2153	0.2	5.0	2.5	3	LC40
2159	0.3	5.6	2.5	3	LC40
2321	0.1	1.8	2.5	3	LC40
2323	0.1	2.1	2.5	3	LC40
2325	0.1	2.3	2.5	3	LC40
2329	0.2	2.8	2.5	3	LC40
2335	0.2	3.5	2.5	3	LC40
2341	0.2	4.2	2.5	3	LC40
2347	0.2	4.9	2.5	3	LC40
2353	0.2	5.7	2.5	3	LC40
2359	0.3	6.4	2.5	3	LC40
2521	0.1	2.0	2.5	3	LC40
2523	0.1	2.3	2.5	3	LC40
2525	1.4	2.6	2.5	3	LC40
2529	1.5	3.1	2.5	3	LC40
2535	1.7	3.9	2.5	3	LC40
2541	1.9	4.7	2.5	3	LC40
2547	2.1	5.5	2.5	3	LC40
2553	2.3	6.3	2.5	3	LC40
2559	2.5	7.1	2.5	3	LC40
2921	0.2	2.5	2.5	3	LC40
2923	0.2	2.8	2.5	3	LC40
2925	1.5	3.1	2.5	3	LC40
2929	1.7	3.8	2.5	3	LC40
2935	1.8	4.7	2.5	3	LC40
2941	2.0	5.7	2.5	3	LC40
2947	2.2	6.7	2.5	3	LC40
2953	2.4	7.6	2.5	3	LC40
2959	2.6	8.6	2.5	3	LC40
3221	0.2	2.8	2.5	3	LC40
3223	0.2	3.1	2.5	3	LC40
3225	1.6	3.5	2.5	3	LC40
3229	1.8	4.2	2.5	3	LC40
3235	1.9	5.3	2.5	3	LC40
3241	2.1	6.4	2.5	3	LC40
3247	2.3	7.5	2.5	3	LC40
3253	2.5	8.6	2.5	3	LC40
3259	2.7	9.7	2.5	3	LC40

Large Awning Vent					
Unit	Vent Area Ft²	Visible Glass Ft²	Standard Glass Thickness (mm)		Performance Class & Grade ⁽¹⁾
			Annealed	Tempered	
3521	0.2	3.1	2.5	3	LC40
3523	0.2	3.5	2.5	3	LC40
3525	1.7	3.9	2.5	3	LC40
3529	1.8	4.7	2.5	3	LC40
3535	2.0	5.9	2.5	3	LC40
3541	2.2	7.2	2.5	3	LC40
3547	2.4	8.4	2.5	3	LC40
3553	2.6	9.6	2.5	3	LC40
3559	2.8	10.8	3	3	LC40
4121	0.2	3.7	2.5	3	LC40
4123	0.2	4.2	2.5	3	LC40
4125	1.9	4.7	2.5	3	LC40
4129	2.0	5.7	2.5	3	LC40
4135	2.2	7.2	2.5	3	LC40
4141	2.4	8.6	2.5	3	LC40
4147	2.6	10.1	3	3	LC40
4153	2.8	11.6	3	3	LC40
4159	3.0	13.0	3	3	LC40
4721	0.2	4.4	2.5	3	LC40
4723	0.2	4.9	2.5	3	LC40
4725	2.1	5.5	2.5	3	LC40
4729	2.2	6.7	2.5	3	LC40
4735	2.4	8.4	2.5	3	LC40
4741	2.6	10.1	3	3	LC40
4747	2.8	11.8	3	3	LC40
4753	3.0	13.5	3	3	LC40
4759	3.2	15.3	3	3	LC40
5321	0.2	5.0	2.5	3	LC40
5323	0.2	5.7	2.5	3	LC40
5325	2.3	6.3	2.5	3	LC40
5329	2.4	7.6	2.5	3	LC40
5335	2.6	9.6	2.5	3	LC40
5341	2.8	11.6	3	3	LC40
5347	3.0	13.5	3	3	LC40
5353	3.2	15.5	3	4	LC40
5359	3.3	17.5	3	4	LC40
5921	0.3	5.6	2.5	3	LC40
5923	0.3	6.4	2.5	3	LC40
5925	2.5	7.1	2.5	3	LC40
5929	2.6	8.6	2.5	3	LC40
5935	2.8	10.8	3	3	LC40
5941	3.0	13.0	3	3	LC40
5947	3.2	15.3	3	3	LC40
5953	3.3	17.5	3	4	LC40
5959	3.5	19.7	4	4	LC40

Large Awning Miscellaneous Formulas

Visible Glass	Width = Frame – 5-3/4" Height = Frame – 5-3/4"
Actual Glass	Width = Frame – 4-3/8" Height = Frame – 4-3/8"

(1) Maximum performance when glazed with appropriate glass thickness.



Detailed Product Description - Aluminum-Clad Awning and Large Awning

Frame

- Select softwood, immersion treated with Pella's EnduraGuard® wood protection formula in accordance with WDMA I.S.-4. The EnduraGuard formula includes three active ingredients for protection against the effects of moisture, decay, stains from mold and mildew. Plus, an additional ingredient adds protection against termite damage.
- Interior exposed surfaces are [clear pine] [mahogany] [douglas fir] [Impact-Resistant: [clear pine] [mahogany]].
- Exterior surfaces are clad with aluminum.
- Components are assembled with screws, staples and concealed corner locks.
- Overall frame depth is 5" (127mm) for a wall depth of 3-11/16" (94mm).
- Optional factory-applied jamb extensions available between 3-13/16" (97mm) and 9-3/16" (233mm).
- Optional factory-installed fold-out installation fins with flexible fin corners.
- Optional factory-applied EnduraClad® exterior trim.
- Optional factory-installed Pella Steady Set Installation System.

Sash

- Select softwood, immersion treated with Pella's EnduraGuard wood protection formula in accordance with WDMA I.S.-4. The EnduraGuard formula includes three active ingredients for protection against the effects of moisture, decay, stains from mold and mildew. Plus, an additional ingredient adds protection against termite damage.
- Corners are mortised and tenoned, glued and secured with metal fasteners.
- Interior exposed surfaces are: [clear pine] [mahogany] [douglas fir] [Impact-Resistant: [clear pine] [mahogany]].
- Exterior surfaces are clad with extruded aluminum butt-jointed at all corners of the sash with through-stile construction and sealed.
- Sash thickness is [1-13/16" (46mm) for 11/16" [2-1/8" (54mm) for 1" glazing.
- Exterior sash profile is [ogee] [putty glaze], interior sash profile is ogee.

Weatherstripping

- Dual weatherstripping.
 - Flexible santoprene material compressed between frame and sash for positive seal on all four sides.
 - Secondary thermoplastic vulcanizate (TPV) leaf-type weatherstrip between edge of sash and frame on the vertical sides and bottom, and Santoprene® bulb-type weatherstrip on the top.

Glazing System 1

- Quality float glass complying with ASTM C 1036.
- Silicone-glazed dual-pane 11/16" dual-seal insulating glass [[annealed] [tempered]], [[clear] [[Advanced] [SunDefense™] [SunDefense+]] [NaturalSun] [NaturalSun+] [AdvancedComfort] Low-E with argon]] [[bronze] [gray] [green] Advanced Low-E [with Argon]] [obscure] [Reflective Bronze] [Reflective Gray].
- or -
- Silicone-glazed dual-pane 1" dual-seal tempered spandrel glass [Lava Bronze Amber] [Black] [Ford Blue] [Symmetry Bronze] [Symmetry Gray] [Symmetry Green].
- or -
- Silicone-glazed dual-pane 11/16" dual-seal [[annealed] [tempered]] non-impact laminated glass [[clear] [[Advanced] [SunDefense] Low-E [with Argon]] [[bronze] [gray] [green] Advanced Low-E [with argon]].
- or -
- Silicone-glazed 1" triple-pane, dual-seal insulating glass [[annealed][tempered]] [[Advanced] [SunDefense™] [NaturalSun] Low-E [with argon]].
- or -
- Impact-Resistant
 - Silicone-glazed 1" dual-seal impact-resistant insulating glass; SGP. [[tempered] [annealed]] exterior light is [[Advanced] [SunDefense] Low-E [clear] [bronze] [gray] [green]]. Laminated clear interior light.
- or -
 - Silicone-glazed 11/16" dual-seal impact-resistant insulating glass; [PVB]. [[tempered] [annealed]] exterior light is [[Advanced] [SunDefense] Low-E [clear]]. Laminated [clear] interior light, or [[tempered] [annealed]] exterior light is [[multi-layer Low-E]]. Laminated [[bronze] [gray] [green]] interior light

Exterior

- Aluminum clad exteriors shall be finished with EnduraClad® protective finish, in a multi-step, baked-on finish.
 - Color is [Standard] [Feature] [custom]2.
- or -
- Aluminum clad exteriors shall be finished with EnduraClad Plus protective finish with 70% fluoropolymer resin in a multi-step, baked-on finish.
 - Color is [Standard] [Feature] [custom]2.

Interior

- [Unfinished, ready for site finishing] [factory primed with one coat acrylic latex] [factory prefinished [paint] [stain]2].

Hardware

- Roto operator assembly
 - Steel worm gear sash operator with hardened gears.
 - Operator base is zinc die cast with painted finish.
 - Operator linkage is stainless steel.
 - Exposed fasteners are stainless steel.
 - Hardware will exceed 1,000 hours salt spray exposure per ASTM B 117.
 - Hinge slide and hinge arms are [Awning: Stainless steel] [Large Awning: wash hinge] [Impact-Resistant: wash hinge].
- All vent units are available with operator located on the [Awning: left or right side as viewed from the exterior] [Large Awning or Impact-Resistant: bottom center of the unit].
- SureLock® System—A single handle locking system operates positive-acting arms that reach out and pull the sash into a locked position: [Awning: one operating lock installed on units with frame widths 29" and less, two unison operating locks installed on units with frame widths over 29"] [Large Awning: one operating lock installed on units with frame heights 41" and less, two unison operating locks installed on units with frame height over 41"].
- Style of hardware is [Standard integrated fold-away crank and standard lock handle with [baked enamel [Champagne] [White] [Brown] [Matte Black]] [Satin brass] [Satin nickel] [Oil-rubbed bronze] hardware finish] [Antiek fold-away crank and Antiek lock handle with [baked enamel [Champagne] [White] [Brown] [Matte Black]] [Satin Brass] [Satin Nickel] [Oil-rubbed Bronze] [Distressed Bronze] [Distressed Nickel] hardware finish].

Optional Products

Grilles

- Integral Light Technology® grilles
 - Interior grilles are [5/8" [7/8" [1-1/4" [2" ogee profile that are solid [Pine] [mahogany] [douglas fir]. Interior surfaces are [unfinished, ready for site finishing] [factory primed] [pine: factory prefinished [paint] [stain] 2].
 - Exterior grilles are [5/8" putty glaze profile] [7/8" [putty glaze] [ogee] profile] [1-1/4" [putty glaze] [ogee] profile] [2" ogee profile] that are extruded aluminum.
 - Patterns are [Traditional] [Prairie] [Top Row] [Cross] [New England] [Victorian] [Diamond].
 - Insulating glass contains non-glare spacer between the panes of glass.
 - Grilles are adhered to both sides of the insulating glass with VHB acrylic adhesive tape and aligned with non-glare spacer.
- or -
- Grilles-Between-the-Glass 3
 - Insulating glass contains 3/4" contoured aluminum grilles permanently installed between two panes of glass (exterior air-space on triple-pane insulating glass).
 - Patterns are [Traditional] [Prairie] [Cross] [Top Row] [Custom – Equally Divided].
 - Interior color is [White] [Tan 4] [Brown 4] [Putty 4] [Black] [Ivory] [Harvest] [Cordovan] [Brickstone].
 - Exterior color 5 is [Standard] [Feature]2.

Screen

- InView™ Screens
 - Vinyl-coated 18/18 mesh fiberglass screen cloth complying with the performance requirements of SMA 1201, set in aluminum frame fitted to inside of window, supplied complete with all necessary hardware.
 - Screen frame finish is [baked enamel [Champagne] [White] [Brown] [Black]].

Hardware

- Optional factory applied limited opening hardware available for vent units in stainless steel; nominal 3" opening.

Sensors

- Optional factory installed integrated security sensors available in vent units.

(1) Low-E coated insulating glass is argon-filled (except high altitude). All other insulating glass (including high altitude Low-E) is air-filled.

(2) Contact your local Pella sales representative for current designs and color options.

(3) Available in clear or Low-E insulating glass with argon and obscure insulated glass.

(4) Tan, Brown or Putty Interior GBG colors are available in single-tone (Brown/Brown, Tan/Tan or Putty/Putty). Other interior colors are also available with tan or brown exterior.

(5) Appearance of exterior grille color will vary depending on Low-E coating on glass.



Detailed Product Description - Wood Exterior

Frame

- Select softwood, immersion treated with Pella's EnduraGuard® wood protection formula in accordance with WDMA I.S.-4. The EnduraGuard formula includes three active ingredients for protection against the effects of moisture, decay, stains from mold and mildew. Plus, an additional ingredient adds protection against termite damage.
- Interior exposed surfaces are [clear pine] [mahogany].
- Exterior surfaces are [pine: factory-primed] [mahogany: [factory-primed] [ready-to-stain]].
- Overall frame depth is 4-3/8" (111mm) for a wall depth of 4-3/16" (106mm).
- Optional factory-applied jamb extensions available between 3-13/16" (97mm) and 9-3/16" (233mm).

Sash

- Select softwood, immersion treated with Pella's EnduraGuard® wood protection formula in accordance with WDMA I.S.-4. The EnduraGuard formula includes three active ingredients for protection against the effects of moisture, decay, stains from mold and mildew. Plus, an additional ingredient adds protection against termite damage.
- Interior exposed surfaces are [clear pine] [mahogany].
- Exterior Surfaces are [pine: factory-primed] [mahogany [factory-primed] [ready-to-stain]].
- Corners mortised and tenoned, glued and secured with metal fasteners.
- Sash thickness is [1-13/16" (46mm) for 11/16"] [2-1/8" (54mm) for 1" glazing].
- Sash exterior profile is putty glaze, interior profile is ogee.

Weatherstripping

- Dual weatherstripping.
 - Continuous, flexible santoprene material in dual durometer design with welded corners, compressed between frame and sash for positive seal on all four sides.
 - Secondary thermoplastic vulcanizate (TPV) leaf-type weatherstrip between edge of sash and frame.

Glazing System¹

- Quality float glass complying with ASTM C 1036.
- Custom and high altitude [with argon] glazing available.
- Silicone-glazed 11/16" dual-seal insulating glass [[annealed] [tempered]] [[clear] [[Advanced] [SunDefense™] [SunDefense+] [AdvancedComfort] [NaturalSun] [NaturalSun+] Low-E [with argon]] [[bronze] [gray] [green] Advanced Low-E with argon]].
- or –
- Silicone-glazed 1" triple-pane, dual-seal insulating glass [[annealed][tempered]] [[Advanced Low-E] [SunDefense™ Low-E] [NaturalSun Low-E] with [argon]]

Interior

- [Unfinished, ready for site finishing] [factory primed with one coat acrylic latex] [Pine: Factory prefinished [paint] [stain]₃].

Hardware

- Roto operator assembly
 - Steel worm gear sash operator with hardened gears.
 - Operator base to be zinc die cast with painted finish.
 - Operator linkage, hinge slide, and hinge arms are stainless steel.
 - Exposed fasteners are stainless steel.
 - Hardware will exceed 1,000 hours salt spray exposure per ASTM B 117.
 - Hinge slide and hinge arms are stainless steel.
- All vent units are available with operator located on the left or right side as viewed from the exterior.
- SureLock® System—A single handle locking system operates positive-acting arms that reach out and pull the sash into a locked position: One operating lock installed on units with frame width 29" and less, two unison operating locks installed on units with frame width over 29".
- Style of hardware is [Standard integrated fold-away crank and standard lock handle with [baked enamel [Champagne] [White] [Brown] [Matte Black]] [satin brass] [satin nickel] [oil-rubbed bronze] hardware finish] [Antiek fold-away crank and Antiek lock handle with [baked enamel [Champagne] [White] [Brown] [Matte Black]] [Satin Brass] [Satin Nickel] [Oil-rubbed Bronze] [Distressed Bronze] [Distressed Nickel] hardware finish].

Optional Products

Grilles

- Integral Light Technology® grilles
 - Interior grilles are solid [5/8"] [7/8"] [1-1/4"] ogee profile that are solid [pine] [mahogany]. Interior surfaces are [unfinished, ready for site finishing] [factory primed] [pine: factory prefinished [paint] [stain]₃].
 - Exterior grilles are solid [5/8"] [7/8"] [1-1/4"] putty glaze profile] that are [pine] [mahogany]. Exterior surfaces are water repellent, preservative-treated in accordance with WDMA I.S.-4, and are [unfinished, ready for site finishing] [factory primed].
 - Patterns are [Traditional] [Prairie] [Top Row] [Cross] [New England] [Victorian] [Diamond].
 - Insulating glass contains non-glare spacer between the panes of glass.
 - Grilles are adhered to both sides of the insulating glass with VHB acrylic adhesive tape and aligned with the non-glare spacer.
 - or –
- Grilles-Between-the-Glass²
 - Insulating glass contains 3/4" contoured aluminum grilles permanently installed between two panes of glass (exterior air-space on triple-pane insulating glass).
 - Patterns are [Traditional] [Prairie] [Cross] [Top Row] [Custom – Equally Divided].
 - Interior color is [White] [Tan₄] [Brown₄] [Putty₄] [Black] [Ivory] [Harvest] [Cordovan] [Brickstone].
 - Exterior color₅ is [standard]₃.

Screen

- InView™ Screens
 - Vinyl-coated 18/18 mesh fiberglass screen cloth complying with the performance requirements of SMA 1201, set in aluminum frame fitted to inside of window, supplied complete with all necessary hardware.
 - Screen frame finish is [baked enamel [Champagne] [White] [Brown] [Black]].

Hardware

- Optional factory applied limited opening hardware available for vent units in stainless steel; nominal 3" opening.

Sensors

- Optional factory installed integrated security sensors available in vent units.

(1) Low-E coated insulating glass is argon-filled (except high altitude). All other insulating glass (including high altitude Low-E) is air-filled.

(2) Available on units glazed with Low-E insulated glass with argon and obscure insulated glass.

(3) Contact your local Pella sales representative for current designs and color options.

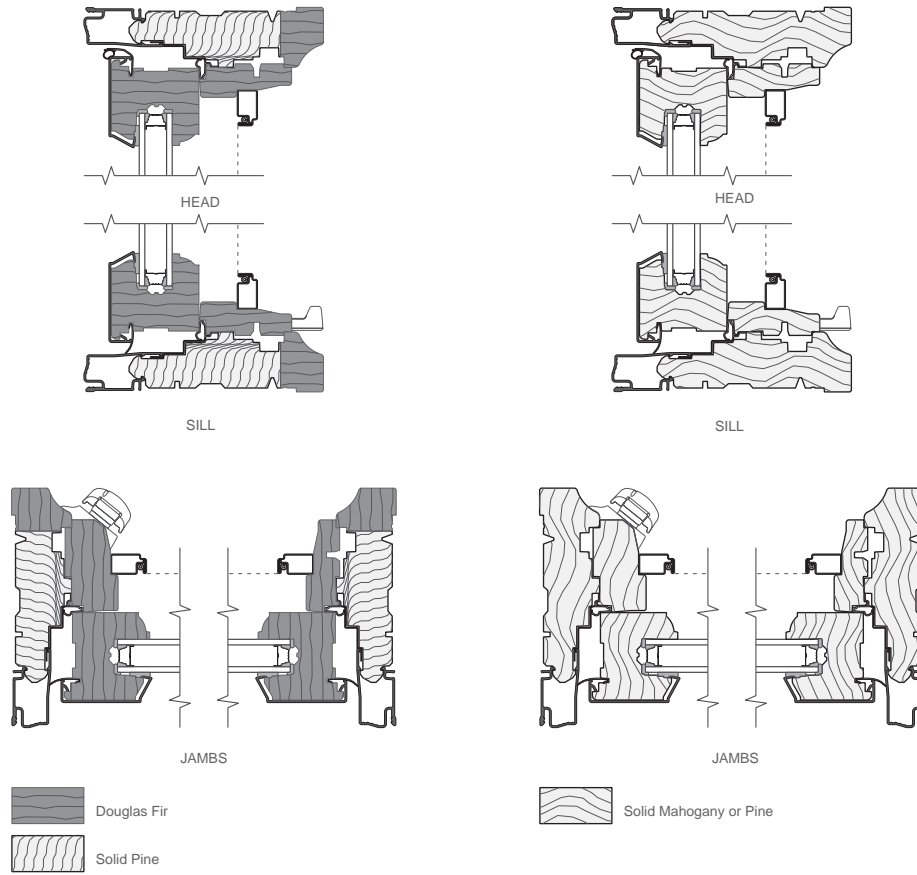
(4) Tan, Brown or Putty Interior GBG colors are available in single-tone (Brown/Brown, Tan/Tan or Putty/Putty). Other interior colors are also available with Tan or Brown exterior.

(5) Appearance of exterior grille color will vary depending on Low-E coating on glass.



Pella® Reserve™ Traditional Awning Window

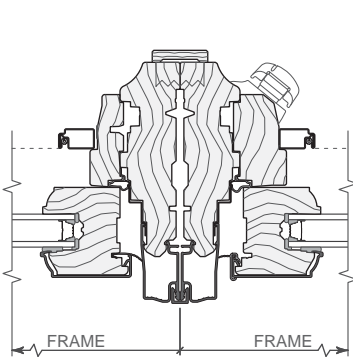
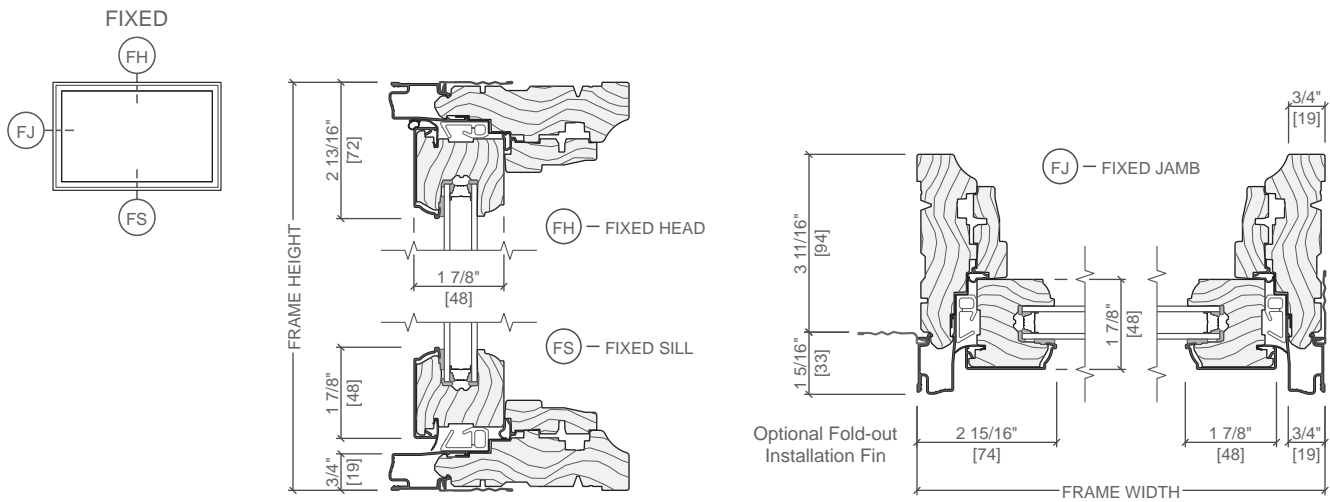
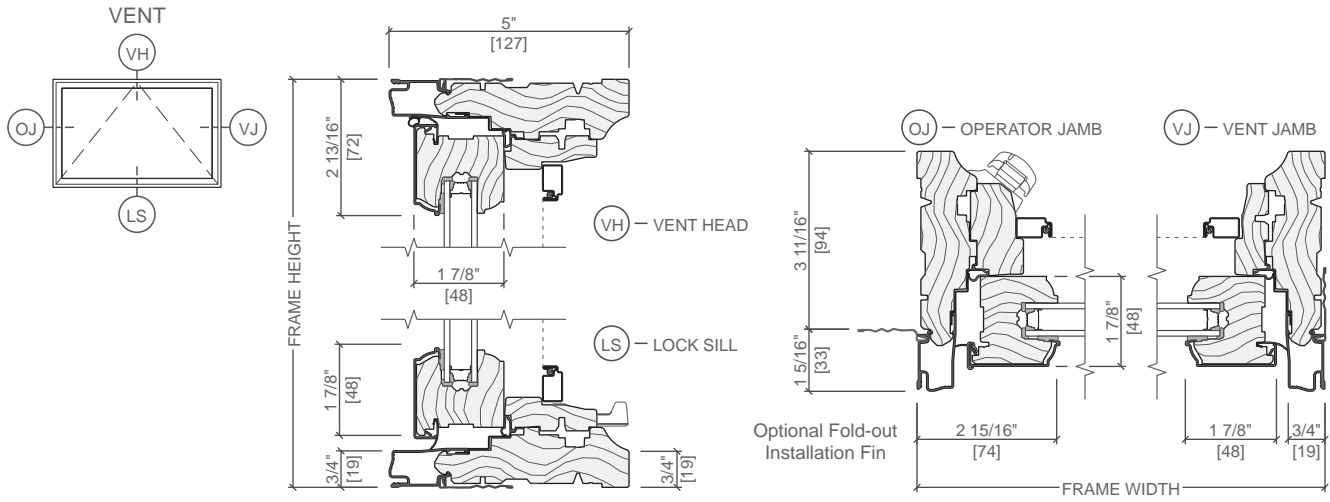
Unit Sections – Aluminum-Clad Exterior - Wood Collection



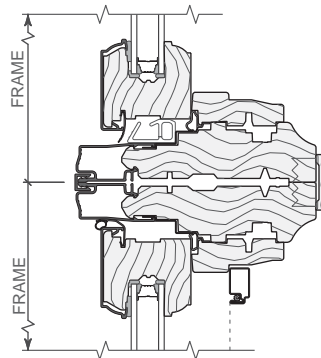


Pella® Reserve™ Traditional Awning Window

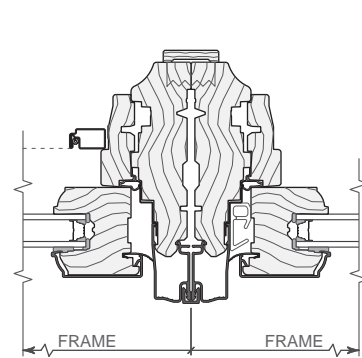
Unit Sections – Aluminum-Clad Exterior, Ogee Exterior Profile



VERTICAL JOINING MULLION
VENT / VENT



HORIZONTAL JOINING MULLION
TRANSOM / VENT



VERTICAL JOINING MULLION
VENT / FIXED

Scale 3" = 1' 0"

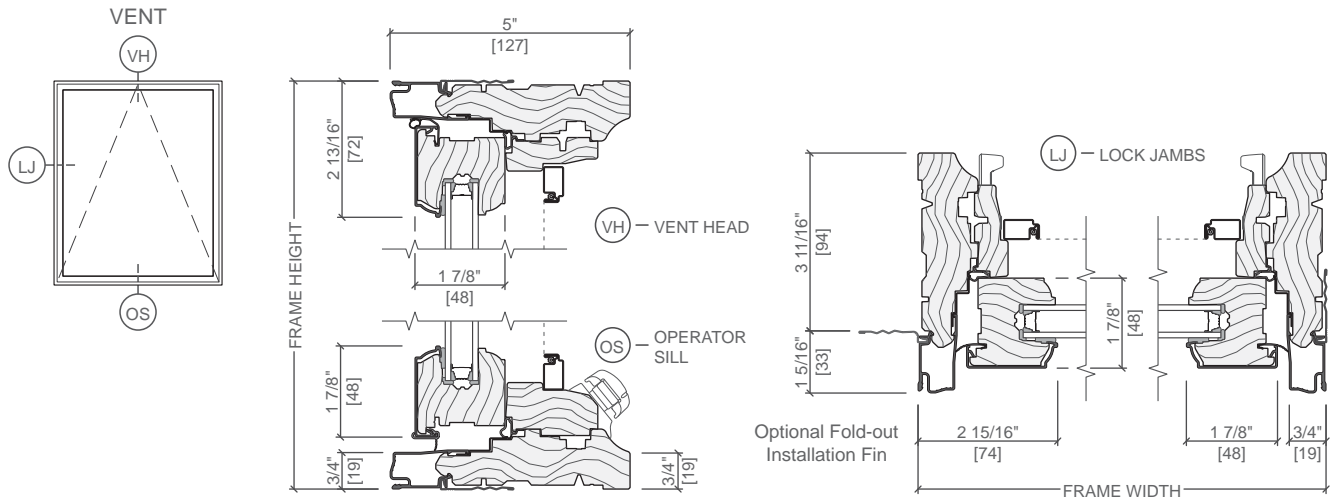
All dimensions are approximate.

See supporting document Combination Recommendations, for mullion limitations and reinforcing requirements.



Pella® Reserve™ Traditional Awning Window

Unit Sections – Aluminum-Clad Exterior, Ogee Exterior Profile



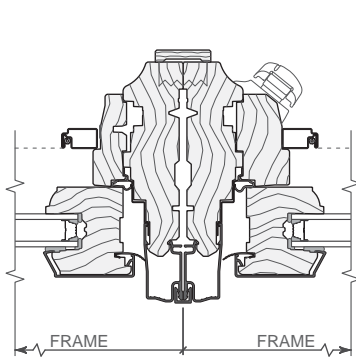
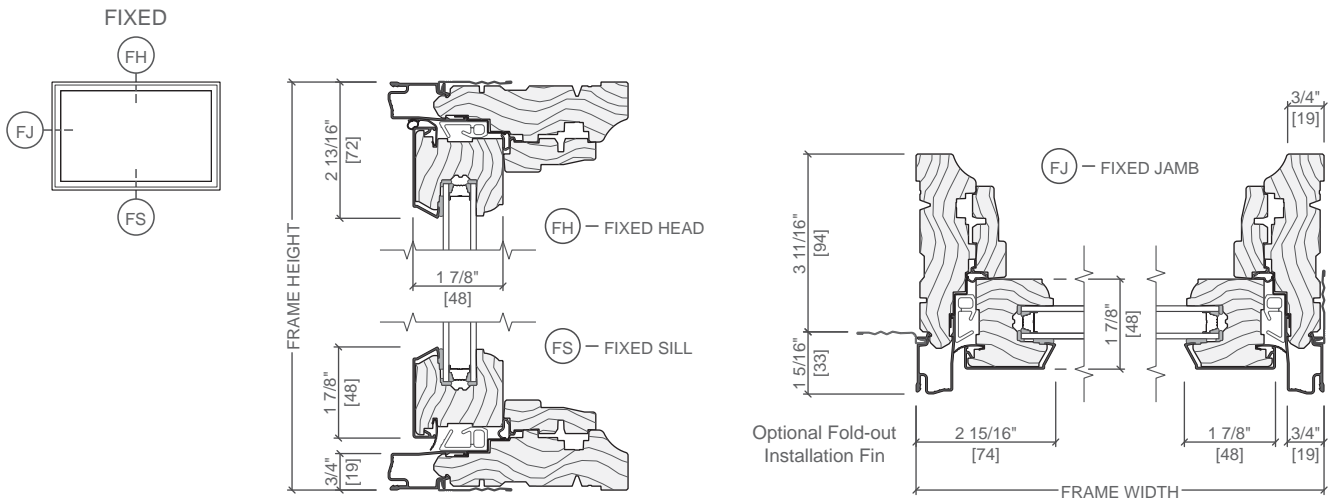
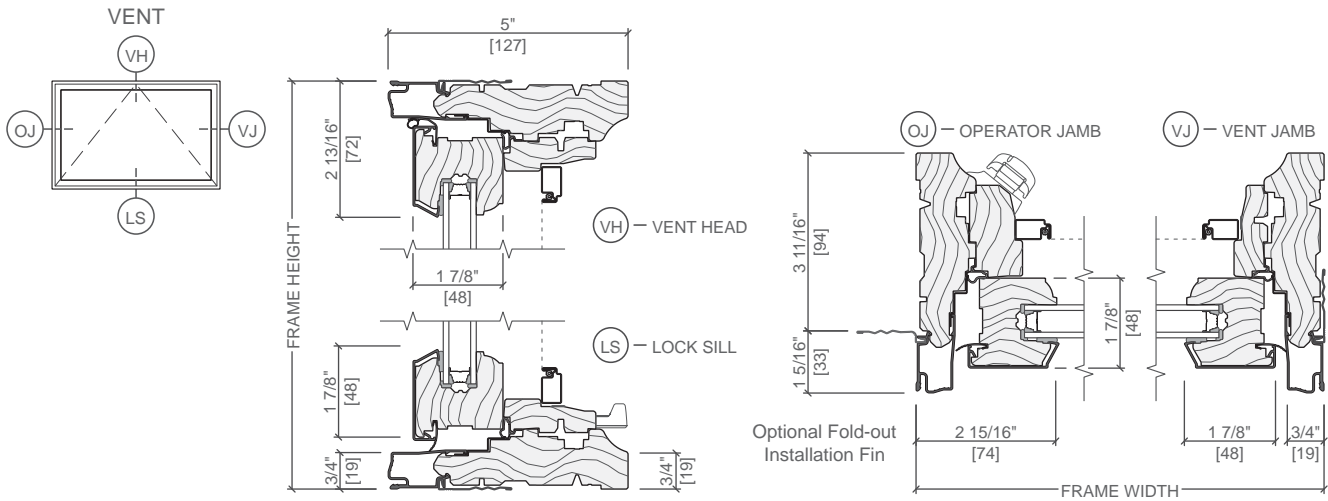
Scale 3" = 1' 0"

All dimensions are approximate.

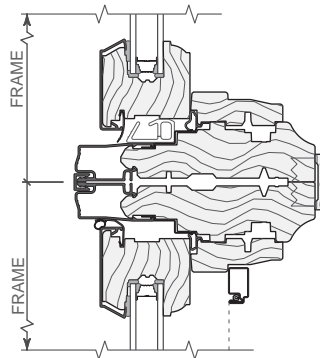


Pella® Reserve™ Traditional Awning Window

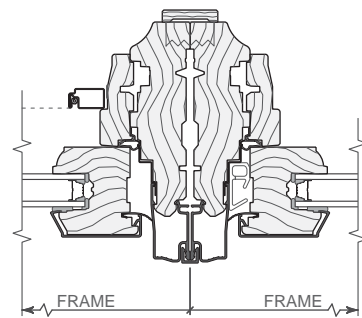
Unit Sections – Aluminum-Clad Exterior, Putty Exterior Profile



VERTICAL JOINING MULLION
VENT / VENT



HORIZONTAL JOINING MULLION
TRANSOM / VENT



VERTICAL JOINING MULLION
VENT / FIXED

Scale 3" = 1' 0"

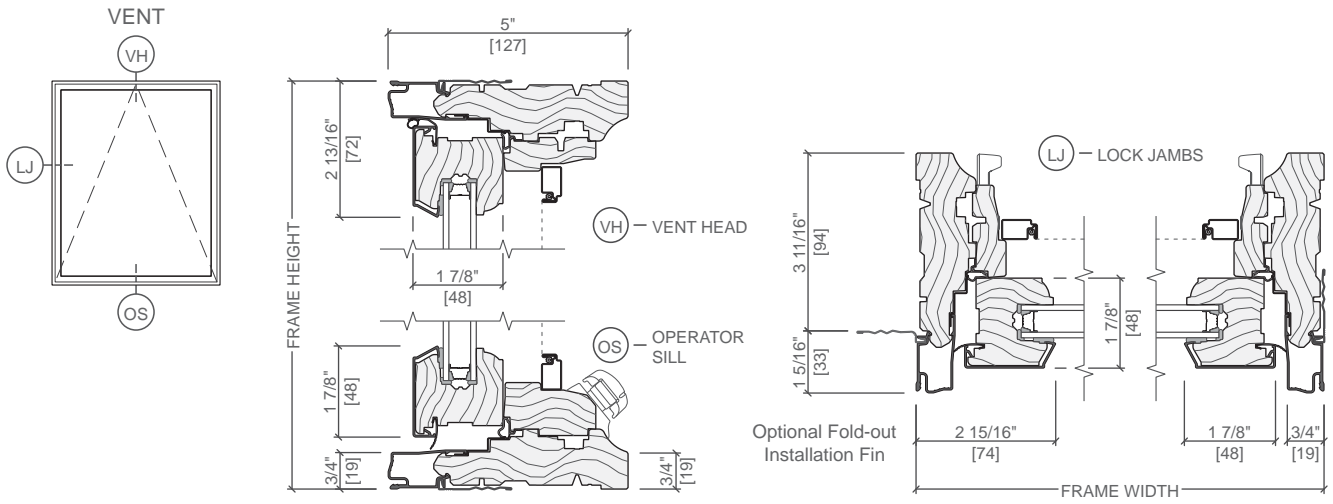
All dimensions are approximate.

See supporting document Combination Recommendations, for mullion limitations and reinforcing requirements.



Pella® Reserve™ Traditional Awning Window

Unit Sections – Aluminum-Clad Exterior, Putty Exterior Profile



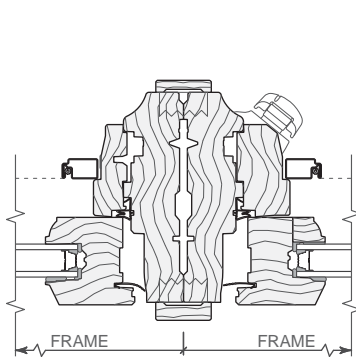
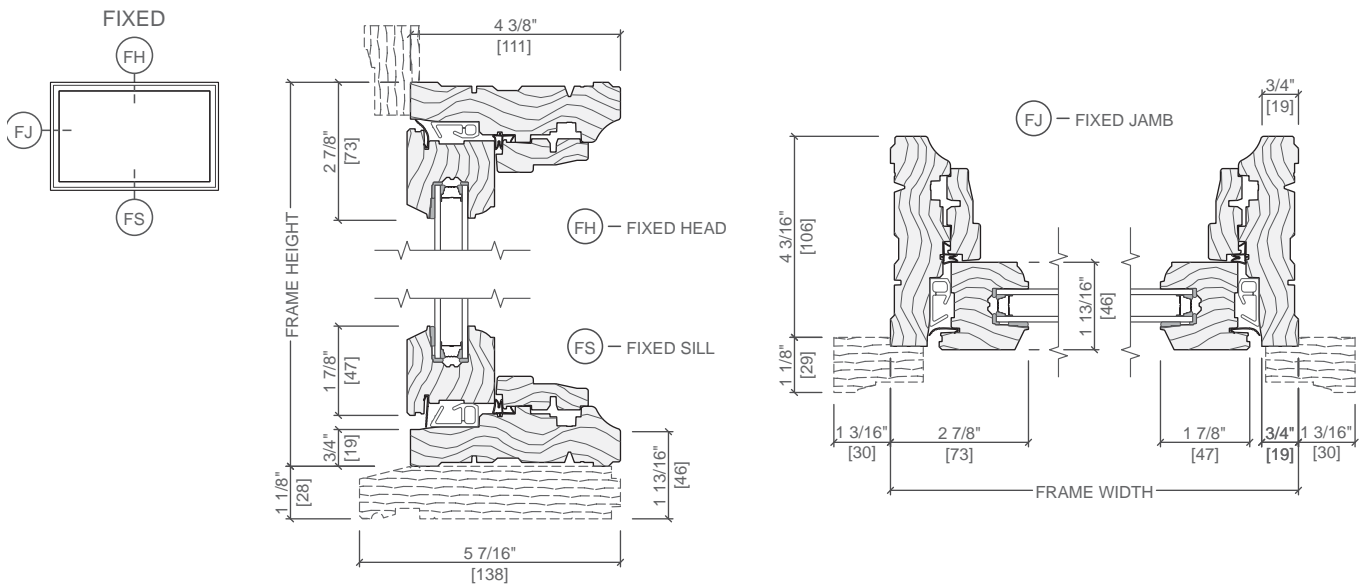
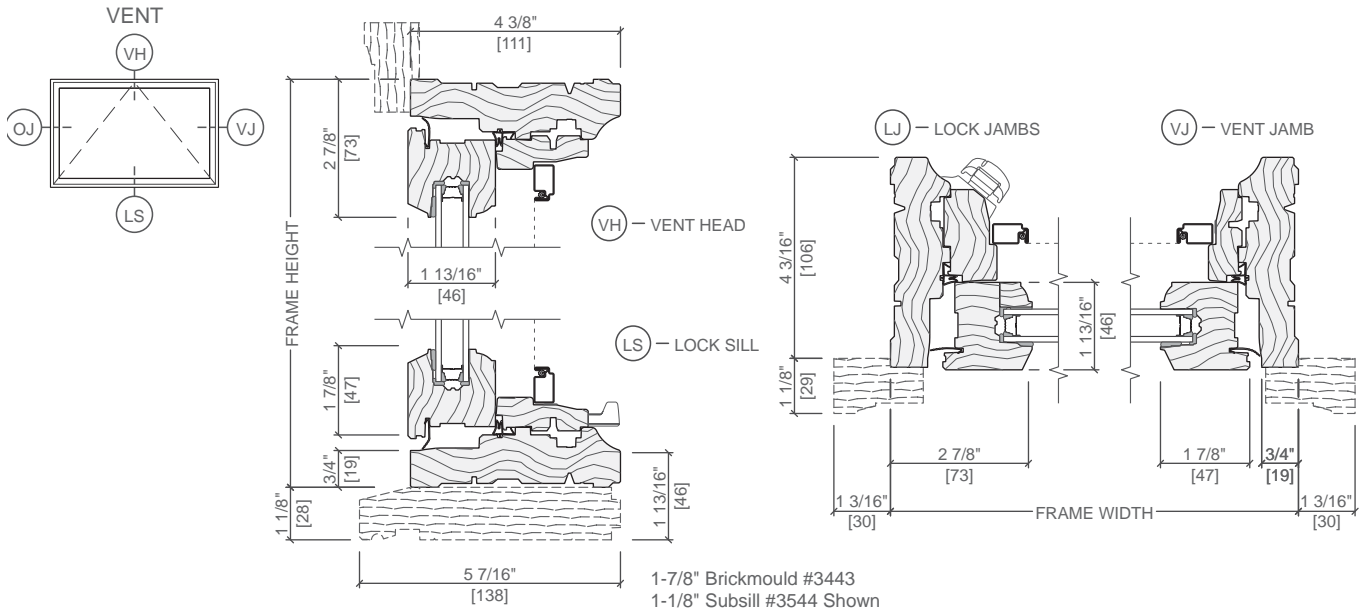
Scale 3" = 1' 0"

All dimensions are approximate.

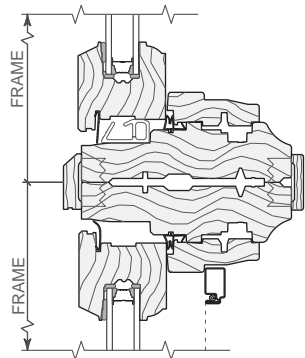


Pella® Reserve™ Traditional Awning Window

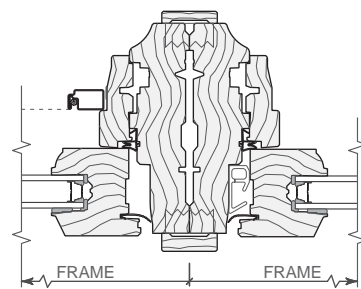
Unit Sections – Wood Exterior, Putty Exterior Profile



VERTICAL JOINING MULLION
VENT / VENT



HORIZONTAL JOINING MULLION
TRANSOM / VENT



VERTICAL JOINING MULLION
VENT / FIXED

Scale 3" = 1' 0"

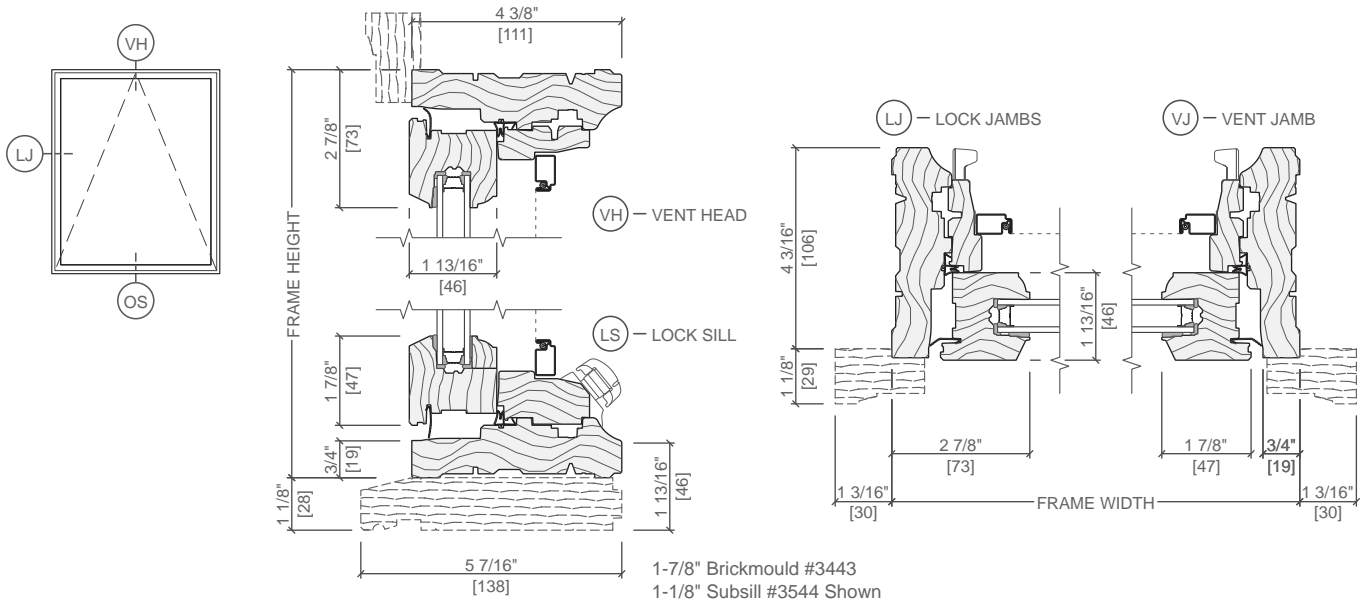
All dimensions are approximate.

See supporting document Combination Recommendations, for mullion limitations and reinforcing requirements.



Pella® Reserve™ Traditional Awning Window

Unit Sections – Wood Exterior, Putty Exterior Profile



Scale 3" = 1' 0"

All dimensions are approximate.