



Product Selection Guide

Size and Performance Data CM-2

Sound Transmission Class/Outdoor-Indoor Transmission Class CM-2

Features and Options CM-3

Combination Assemblies CM-4

Glazing Performance CM-5

Impact Resistant Glass CM-15

Grille Types

Grille Profiles CM-16

Grille Pattern.....CM-17

Casement Shapes and Custom Options CM-18

Size Tables—Clad and Wood..... CM-19

Special Sizes.....CM-22

Design Data—Vent and Fixed.....CM-23

Detailed Product Descriptions

Clad Standard Casement CM-26

Wood Exterior Standard Casement.....CM-27

Clad Push-Out Casement CM-28

Wood Exterior Push-Out Casement CM-29

Unit Sections

Wood Collection CM-30

Clad Casement..... CM-31

Wood Casement CM-35

Push-Out Casement..... CM-36

Mitered Corner..... CM-37

Supporting documents for this product:

Test Reports:

https://media.pella.com/professional/adm/CertificationReports/Test_Reports_AS-Clad.pdf?utm_source=pdfdoc

CSI Specs

(readable using Microsoft Word or other text editing application):

https://media.pella.com/professional/adm/Wood-CSI_Specs/08551-R.rtf?utm_source=pdfdoc

AIA Masterspec

(readable using Microsoft Word or other text editing application):

https://media.pella.com/professional/adm/Wood-CSI_Specs/Masterspec/085200_fl.doc?utm_source=pdfdoc

Detailed Product Description

(readable using Microsoft Word or other text editing application):

Clad: https://media.pella.com/professional/adm/Clad-Wood/PR-Casement-C.rtf?utm_source=pdfdoc

Wood: https://media.pella.com/professional/adm/Clad-Wood/PR-Casement-W.rtf?utm_source=pdfdoc

Size Tables

(requires appropriate CAD software to read and use):

https://media.pella.com/professional/adm/Clad-Wood/ASCCMEV_D.dwg?utm_source=pdfdoc

CAD cross sections

(requires appropriate CAD software to read and use):

https://media.pella.com/professional/adm/Clad-Wood/PR-CM-Detail_D.dwg?utm_source=pdfdoc

Mitered Corner CAD cross sections

(requires appropriate CAD software to read and use):

https://media.pella.com/professional/adm/Clad-Wood/PR-MiterCorner-Detail_D.dwg?utm_source=pdfdoc

3D & BIM

(requires appropriate software to read and use):

https://media.pella.com/professional/adm/RevitFiles/PR-Revit/Window-Casement-Pella-Reserve-Traditional.zip?utm_source=pdfdoc

Sketchup

(requires appropriate software to read and use):

https://media.pella.com/professional/adm/Clad-Wood/PellaSKP_PellaReserve_Traditional_Casement.zip?utm_source=pdfdoc

Combination Recommendations:

https://media.pella.com/professional/adm/Clad-Wood/D_Combinations.pdf?utm_source=pdfdoc

Installation Details:

https://media.pella.com/professional/adm/Clad-Wood/F_InstallationDetails.pdf?utm_source=pdfdoc

Impact-Resistant Casement, Complete Product Information:

https://media.pella.com/professional/adm/Clad-Wood/Pella-ImpactResistant_Casement.pdf?utm_source=pdfdoc

Casement Shapes, Complete Product Information:

https://media.pella.com/professional/adm/Clad-Wood/Pella-Reserve_CasementShapes.pdf?utm_source=pdfdoc

Bay/Bow Details:

https://media.pella.com/professional/adm/Clad-Wood/Pella-Wood_BayBowWindows.pdf?utm_source=pdfdoc

Microsoft and Microsoft Word are registered trademarks of Microsoft Corp.



Pella® Reserve™ Traditional Casement Window

Size and Performance Data

	Clad	Wood
Sizes		
Standard vent/fixed sizes	●	●
Standard fixed companion sizes	●	●
Egress sizes	●	●
Special sizes available	●	●
Performance¹		
Meets or Exceeds AAMA/WDMA Ratings	CW30 - CW50 Hallmark Certified	LC30 - LC50 Hallmark Certified ⁶
Air Infiltration (cfm/ft ² of frame @ 1.57 psf wind pressure) ²	0.05	0.05
Water Resistance	7.5 psf	7.5 psf
Design Pressure	30 - 50 psf	30 - 50 psf
Products with Impact-Resistant Glass	C-R/CW75 - C-R/CW85 Hallmark Certified	—
Other Performance Criteria		
Forced Entry Resistance Level (Minimum Security Grade) ³	10	10
Operating Force (lb) Initiate Motion / Maintain Motion (of Hallmark tested size and glazing) ⁴	15/6	15/6

Sound Transmission Class / Outdoor-Indoor Transmission Class							
Product	Frame Size Tested ⁵	Glazing System				STC Rating	OITC Rating
		Overall Glazing Thickness	Exterior Glass Thickness	Interior Glass Thickness	Third Pane Thickness		
Clad Casement Window	Vent without Grilles						
	23" x 59"	11/16"	2.5mm	2.5mm	—	27	23
	23" x 59"	11/16"	5mm	3mm	—	32	27
	23" x 59"	11/16"	3mm	6.0mm PVB	—	33	28
	23" x 59"	1"	3mm	3mm	3mm	30	24
	Fixed without Grilles						
	47" x 59"	11/16"	3mm	3mm	—	28	24
	47" x 59"	11/16"	5mm	3mm	—	31	27
	47" x 59"	11/16"	3mm	6.0mm PVB	—	32	28
	Clad Casement Window with Impact-Resistant Glass	Vent without Grilles					
23" x 59"		11/16"	3mm	7.6mm PVB	—	33	29
23" x 59"		1"	5mm	10.1mm SGP	—	34	29
Fixed without Grilles							
47" x 59"		11/16"	3mm	7.6mm PVB	—	33	29
47" x 59"		1"	5mm	10.1mm SGP	—	33	29

(—) = Not Applicable

(1) Maximum performance for single unit when glazed with the appropriate glass thickness. Values shown are for standard and special sizes. Contact your local sales representative for complete information.

(2) Published performance data for air infiltration is determined by testing a minimum of four (4) products of NFRC model size. Testing is conducted in accordance with ASTM E283. Air infiltration ratings for products will differ by size. The performance data does not apply to combination assemblies unless noted. Actual product performance may vary for a number of reasons including installation and product care.

(3) The higher the level, the greater the product's ability to resist forced entry.

(4) Glazing configurations may result in higher operational forces.

(5) ASTM E 1425 defines standard sizes for acoustical testing. Ratings achieved at that size are representative of all sizes of the same configuration.

(6) Wood exterior casements with size pivot hardware are not Hallmark Certified.

NOTE: Performance with additional options may not be the same as Standard and Special size units. Please contact your local Pella representative for complete information.



Pella® Reserve™ Traditional Casement Window

Features and Options

Standard	Options / Upgrades
Glazing	
Glazing Type	
Dual-Pane Insulating Glass	Triple-Pane Insulating Glass
Insulated Glass Options/Low-E Types	
Advanced Low-E	SunDefense™ Low-E
	SunDefense+ Low-E
	AdvancedComfort Low-E
	NaturalSun Low-E
	NaturalSun+ Low-E
	Clear (no Low-E coating)
Additional Glass Options	
Annealed Glass	Tempered Glass
	Obscure Glass ₁
	Tinted Glass (Bronze, Gray and Green)
	Noise reduction glass (3mm/5mm or 4mm/6mm combination)
	Noise reduction laminated glass (non-impact)
	Products with Impact-Resistant Laminated Insulating Glass
Gas Fill/High Altitude	
Argon	High altitude
	High Altitude with Argon ₂
Wood Types	
Pine	Mahogany, Douglas Fir
Exterior	
Exterior Sash Profile	
Ogee - clad	Putty Glaze - clad or wood
Exterior Finish	
EnduraClad® protective finish	EnduraClad Plus protective finish, Factory Primed Pine, Unfinished Mahogany
Cladding Colors₁	
Standard colors	Feature Colors, Custom Colors
Interior	
Interior Sash Profile	
Ogee	—
Interior Finish	
Unfinished wood	Factory primed ₃ , Factory prefinished paint ₃ , Factory prefinished stain
Hardware	
Hardware Type	
Wash hinge Hardware	Side Pivot, Push-out hinge
Hardware Style	
Standard Fold-Away crank	Antiek Fold-Away crank, Push-out handle
Hardware Finishes	
Champagne, White, Brown or Matte Black	Satin Brass, Satin Nickel, Oil-Rubbed Bronze, Distressed Bronze, Distressed Nickel ₄
Sash Locks	
SureLock® System, Unison Lock System ₅	—
Grilles	
Integral Light Technology® Grilles	
—	Traditional, Prairie, Top Row, Cross, New England, Victorian, Simulated French, Custom
Grilles-Between-the-Glass	
—	Traditional, Prairie, Top Row ₁ , Cross, Custom-Equally Divided
Screens	
—	InView™ screens, Rolscreen® Retractable screens ₆

(1) Contact your local Pella sales representative for current designs and color options.

(2) Available with Low-E argon-insulated glass only.

(3) Not available on Mahogany and Douglas Fir interiors.

(4) Satin Brass, Distressed Bronze, and Distressed Nickel are only available with Antiek Fold-Away Crank.

(5) Unit height determines availability.

(6) Not available on push-out casement.

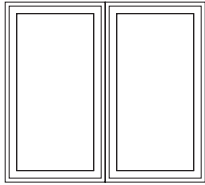


Combination Assemblies

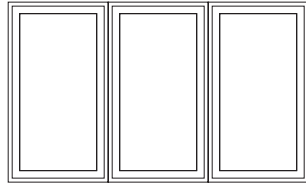
Combinations are a great way to create visual interest in any project. A combination is an assembly formed by two or more separate windows or doors whose frames are joined together by a direct or reinforcing mullion.

Pella window combinations are available in a variety of arrangements. Below are some examples of factory-assembled combinations. See the Combinations Recommendations document for typical mullions, requirements and limitations.

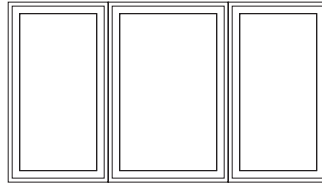
Contact your local Pella sales representative for more information.



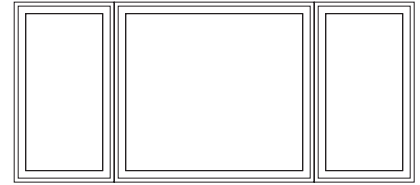
Two-Wide



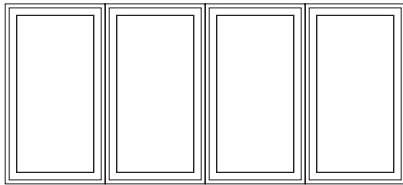
Three-Wide Equal



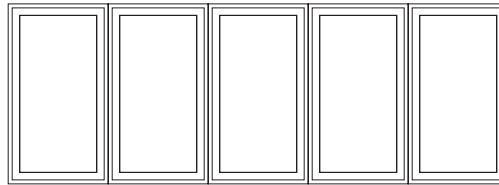
Three-Wide Unequal



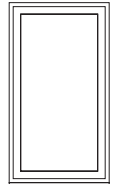
Center Fixed with Flankers



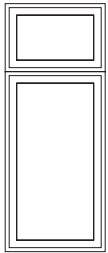
Four-Wide



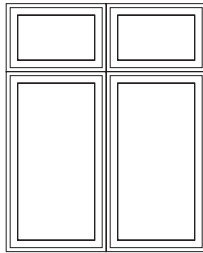
Five-Wide



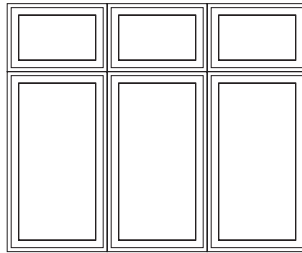
Two-High



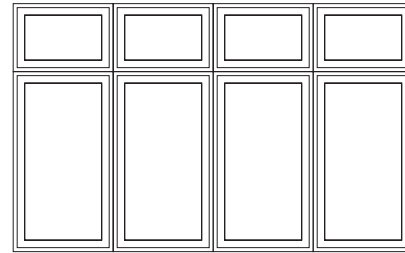
Transom over Single



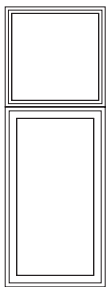
Two-Wide Transom over Two-Wide



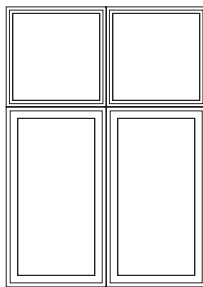
Three-Wide Transom over Three-Wide



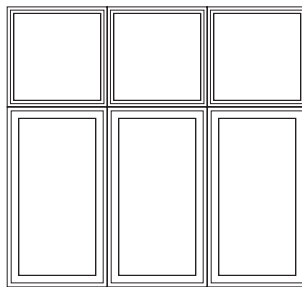
Four-Wide Transom over Four-Wide



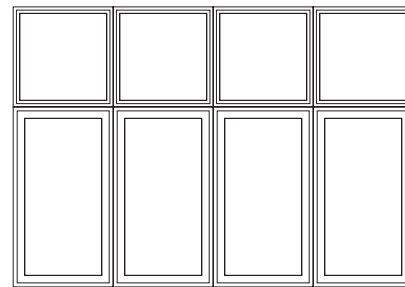
Clad Frame over Single



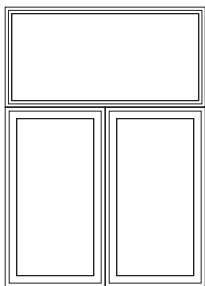
Two-Wide Clad Frame over Two-Wide



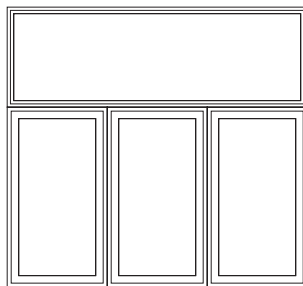
Three-Wide Clad Frame over Three-Wide



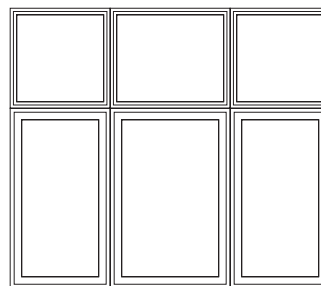
Four-Wide Clad Frame over Four-Wide



Single Clad Frame over Two-Wide



Single Clad Frame over Three-Wide



Three-Wide Clad Frame over Three-Wide Unequal



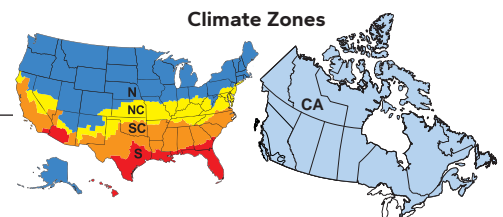
Pella® Reserve™ Traditional Casement Window

Glazing Performance - Total Unit

Glazing Thickness	Type of Glazing	NFRC Certified Product #	Glass (mm)		Gap Fill	Performance Values ¹				Shaded Areas Meet ENERGY STAR® Performance Criteria in Zones Shown					
			Ext.	Int.		U-Factor	SHGC	VLT %	CR	U. S.				Canada ²	
										Zone				ER	
Vent Dual-Pane Glazing - Aluminum-Clad Exterior										N	NC	SC	S		CA
11/16"	Clear IG	PEL-N-11-24121-00001	3	3	air	0.45	0.57	0.59	42						
	with grilles-between-the-glass	PEL-N-11-24122-00001				0.45	0.52	0.54	42						
	with integral grilles	PEL-N-11-24123-00001				0.45	0.52	0.54	42						
11/16"	Advanced Low-E IG	PEL-N-11-24313-00001	3	3	argon	0.29	0.27	0.51	57						
	with grilles-between-the-glass	PEL-N-11-24314-00001				0.29	0.25	0.46	57						
	with integral grilles	PEL-N-11-24315-00001				0.29	0.25	0.46	57						
11/16"	SunDefense™ Low-E IG	PEL-N-11-24317-00001	3	3	argon	0.28	0.20	0.47	57			SC	S		
	with grilles-between-the-glass	PEL-N-11-24318-00001				0.28	0.19	0.42	57			SC	S		
	with integral grilles	PEL-N-11-24319-00001				0.29	0.19	0.42	57				S		
11/16"	SunDefense+ Low-E IG	PEL-N-11-26013-00001	3	3	argon	0.25	0.20	0.46	45		NC	SC	S		
	with grilles-between-the-glass	PEL-N-11-26014-00001				0.25	0.18	0.41	45		NC	SC	S		
	with integral grilles	PEL-N-11-26015-00001				0.25	0.18	0.41	45		NC	SC	S		
11/16"	AdvancedComfort Low-E IG	PEL-N-11-24325-00001	3	3	argon	0.25	0.27	0.49	45		NC				
	with grilles-between-the-glass	PEL-N-11-24326-00001				0.25	0.24	0.45	45		NC				
	with integral grilles	PEL-N-11-24327-00001				0.26	0.24	0.45	45						
11/16"	NaturalSun Low-E IG	PEL-N-11-24321-00001	3	3	argon	0.30	0.50	0.57	56						
	with grilles-between-the-glass	PEL-N-11-24322-00001				0.30	0.46	0.52	56						
	with integral grilles	PEL-N-11-24323-00001				0.31	0.46	0.52	56						
11/16"	NaturalSun+ Low-E IG	PEL-N-11-25941-00001	3	3	argon	0.26	0.46	0.56	44	N				34	CA
	with grilles-between-the-glass	PEL-N-11-25942-00001				0.26	0.42	0.51	44	N					
	with integral grilles	PEL-N-11-25943-00001				0.26	0.42	0.51	44	N					
Vent Dual-Pane Tinted Glazing															
11/16"	Bronze Advanced Low-E IG	PEL-N-11-24449-00002	5	3	argon	0.29	0.24	0.33	56						
	with grilles-between-the-glass	PEL-N-11-24450-00002				0.30	0.22	0.30	56					S	
	with integral grilles	PEL-N-11-24451-00002				0.30	0.22	0.30	56					S	
11/16"	Gray Advanced Low-E IG	PEL-N-11-24449-00003	5	3	argon	0.29	0.22	0.28	56					S	
	with grilles-between-the-glass	PEL-N-11-24450-00003				0.30	0.20	0.26	56					S	
	with integral grilles	PEL-N-11-24451-00003				0.30	0.20	0.26	56					S	
11/16"	Green Advanced Low-E IG	PEL-N-11-24449-00004	5	3	argon	0.29	0.27	0.44	56						
	with grilles-between-the-glass	PEL-N-11-24450-00004				0.30	0.25	0.40	56						
	with integral grilles	PEL-N-11-24451-00004				0.30	0.25	0.40	56						
Vent Dual-Pane High Altitude Glazing															
11/16"	Advanced Low-E IG	PEL-N-11-24145-00001	3	3	air	0.32	0.27	0.51	54						
	with grilles-between-the-glass	PEL-N-11-24146-00001				0.32	0.25	0.46	54						
	with integral grilles	PEL-N-11-24147-00001				0.33	0.25	0.46	54						
11/16"	SunDefense Low-E IG	PEL-N-11-24169-00001	3	3	air	0.32	0.21	0.47	54					S	
	with grilles-between-the-glass	PEL-N-11-24170-00001				0.32	0.19	0.42	54					S	
	with integral grilles	PEL-N-11-24171-00001				0.33	0.19	0.42	54						
11/16"	SunDefense+ Low-E IG	PEL-N-11-26009-00001	3	3	air	0.27	0.20	0.46	42			SC	S		
	with grilles-between-the-glass	PEL-N-11-26010-00001				0.27	0.18	0.41	42			SC	S		
	with integral grilles	PEL-N-11-26011-00001				0.28	0.18	0.41	42			SC	S		
11/16"	AdvancedComfort Low-E IG	PEL-N-11-24217-00001	3	3	air	0.28	0.27	0.49	41						
	with grilles-between-the-glass	PEL-N-11-24218-00001				0.28	0.24	0.45	41						
	with integral grilles	PEL-N-11-24219-00001				0.28	0.24	0.45	41						
11/16"	NaturalSun Low-E IG	PEL-N-11-24193-00001	3	3	air	0.33	0.50	0.57	53						
	with grilles-between-the-glass	PEL-N-11-24194-00001				0.33	0.45	0.52	53						
	with integral grilles	PEL-N-11-24195-00001				0.34	0.45	0.52	53						
11/16"	NaturalSun+ Low-E IG	PEL-N-11-25937-00001	3	3	air	0.28	0.45	0.56	41						
	with grilles-between-the-glass	PEL-N-11-25938-00001				0.28	0.41	0.51	41						
	with integral grilles	PEL-N-11-25939-00001				0.29	0.41	0.51	41						

R-Value = 1/U-Factor
 SHGC = Solar Heat Gain Coefficient
 VLT % = Visible Light Transmission
 CR = Condensation Resistance
 ER = Canadian Energy Rating

(1) Glazing performance values are calculated for Pine using NFRC 100, NFRC 200 and NFRC 500. Thermal performance of other wood species may vary. ENERGY STAR® values are updated to 2023 (Version 7) criteria.
 (2) The values shown are based on Canada's updated ENERGY STAR® 2020 initiative. Based on unit size, some products will use 2.5 mm glass that will have equivalent or improved performance from what is shown. Visit www.energystar.gov for Energy Star guidelines.





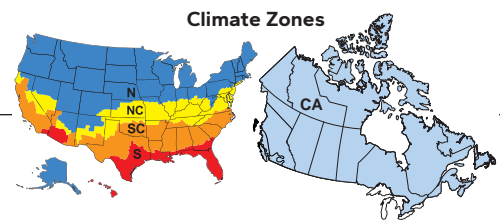
Pella® Reserve™ Traditional Casement Window

Glazing Performance - Total Unit

Glazing Thickness	Type of Glazing	NFRC Certified Product #	Glass (mm)		Gap Fill	Performance Values ¹				Shaded Areas Meet ENERGY STAR® Performance Criteria in Zones Shown					
			Ext.	Int.		U-Factor	SHGC	VLT %	CR	U. S.				Canada ²	
										Zone				ER	
Fixed Dual-Pane Glazing - Aluminum-Clad Exterior										N	NC	SC	S		CA
11/16"	Clear IG	PEL-N-1-59119-00001	3	3	air	0.46	0.64	0.67	42						
	with grilles-between-the-glass	PEL-N-1-59120-00001				0.46	0.58	0.60	42						
	with integral grilles	PEL-N-1-59121-00001				0.46	0.58	0.60	42						
11/16"	Advanced Low-E IG	PEL-N-1-59311-00001	3	3	argon	0.27	0.30	0.57	57						
	with grilles-between-the-glass	PEL-N-1-59312-00001				0.27	0.28	0.51	57						
	with integral grilles	PEL-N-1-59313-00001				0.28	0.28	0.51	57						
11/16"	SunDefense™ Low-E IG	PEL-N-1-59315-00001	3	3	argon	0.27	0.23	0.53	57			SC	S		
	with grilles-between-the-glass	PEL-N-1-59316-00001				0.27	0.21	0.47	57			SC	S		
	with integral grilles	PEL-N-1-59317-00001				0.28	0.21	0.47	57			SC	S		
11/16"	SunDefense+ Low-E IG	PEL-N-1-61941-00001	3	3	argon	0.23	0.22	0.52	45		NC	SC	S		
	with grilles-between-the-glass	PEL-N-1-61942-00001				0.23	0.20	0.46	45		NC	SC	S		
	with integral grilles	PEL-N-1-61943-00001				0.24	0.20	0.46	45		NC	SC	S		
11/16"	AdvancedComfort Low-E IG	PEL-N-1-59323-00001	3	3	argon	0.23	0.30	0.56	44		NC				
	with grilles-between-the-glass	PEL-N-1-59324-00001				0.23	0.27	0.50	44		NC				
	with integral grilles	PEL-N-1-59325-00001				0.24	0.27	0.50	44		NC				
11/16"	NaturalSun Low-E IG	PEL-N-1-59319-00001	3	3	argon	0.28	0.56	0.65	56						37 CA
	with grilles-between-the-glass	PEL-N-1-59320-00001				0.28	0.51	0.58	56						34 CA
	with integral grilles	PEL-N-1-59321-00001				0.29	0.51	0.58	56						
11/16"	NaturalSun+ Low-E IG	PEL-N-1-61869-00001	3	3	argon	0.24	0.51	0.63	44	N					39 CA
	with grilles-between-the-glass	PEL-N-1-61870-00001				0.24	0.46	0.57	44	N					37 CA
	with integral grilles	PEL-N-1-61871-00001				0.25	0.46	0.57	44	N					35 CA
Fixed Dual-Pane Tinted Glazing															
11/16"	Bronze Advanced Low-E	PEL-N-1-59447-00002	5	3	argon	0.28	0.27	0.37	56						
	with grilles-between-the-glass	PEL-N-1-59448-00002				0.29	0.25	0.33	56						
	with integral grilles	PEL-N-1-59449-00002				0.29	0.25	0.33	56						
11/16"	Gray Advanced Low-E IG	PEL-N-1-59447-00003	5	3	argon	0.28	0.25	0.32	56						
	with grilles-between-the-glass	PEL-N-1-59448-00003				0.29	0.23	0.29	56				S		
	with integral grilles	PEL-N-1-59449-00003				0.29	0.23	0.29	56				S		
11/16"	Green Advanced Low-E IG	PEL-N-1-59447-00004	5	3	argon	0.28	0.31	0.50	56						
	with grilles-between-the-glass	PEL-N-1-59448-00004				0.29	0.28	0.45	56						
	with integral grilles	PEL-N-1-59449-00004				0.29	0.28	0.45	56						
Fixed Dual-Pane High Altitude Glazing															
11/16"	Advanced Low-E IG	PEL-N-1-59143-00001	3	3	air	0.31	0.31	0.57	53						
	with grilles-between-the-glass	PEL-N-1-59144-00001				0.31	0.28	0.51	53						
	with integral grilles	PEL-N-1-59145-00001				0.32	0.28	0.51	53						
11/16"	SunDefense Low-E IG	PEL-N-1-59167-00001	3	3	air	0.31	0.23	0.53	53					S	
	with grilles-between-the-glass	PEL-N-1-59168-00001				0.31	0.21	0.47	53					S	
	with integral grilles	PEL-N-1-59169-00001				0.32	0.21	0.47	53					S	
11/16"	SunDefense+ Low-E IG	PEL-N-1-61937-00001	3	3	air	0.26	0.22	0.52	41			SC	S		
	with grilles-between-the-glass	PEL-N-1-61938-00001				0.26	0.20	0.46	41			SC	S		
	with integral grilles	PEL-N-1-61939-00001				0.27	0.20	0.46	41			SC	S		
11/16"	AdvancedComfort Low-E IG	PEL-N-1-59215-00001	3	3	air	0.26	0.30	0.56	41						
	with grilles-between-the-glass	PEL-N-1-59216-00001				0.26	0.27	0.50	41						
	with integral grilles	PEL-N-1-59217-00001				0.27	0.27	0.50	41						
11/16"	NaturalSun Low-E IG	PEL-N-1-59191-00001	3	3	air	0.32	0.56	0.65	53						
	with grilles-between-the-glass	PEL-N-1-59192-00001				0.32	0.51	0.58	53						
	with integral grilles	PEL-N-1-59193-00001				0.33	0.51	0.58	53						
11/16"	NaturalSun+ Low-E IG	PEL-N-1-61865-00001	3	3	air	0.27	0.51	0.63	40						36 CA
	with grilles-between-the-glass	PEL-N-1-61866-00001				0.27	0.46	0.57	40						
	with integral grilles	PEL-N-1-61867-00001				0.27	0.46	0.57	40						

R-Value = 1/U-Factor
 SHGC = Solar Heat Gain Coefficient
 VLT % = Visible Light Transmission
 CR = Condensation Resistance
 ER = Canadian Energy Rating

(1) Glazing performance values are calculated for Pine using NFRC 100, NFRC 200 and NFRC 500. Thermal performance of other wood species may vary. ENERGY STAR® values are updated to 2023 (Version 7) criteria.
 (2) The values shown are based on Canada's updated ENERGY STAR® 2020 initiative. Based on unit size, some products will use 2.5 mm glass that will have equivalent or improved performance from what is shown. Visit www.energystar.gov for Energy Star guidelines.





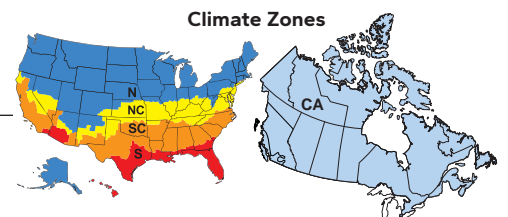
Pella® Reserve™ Traditional Casement Window

Glazing Performance - Total Unit

Glazing Thickness	Type of Glazing	NFRC Certified Product #	Glass (mm)			Gap Fill	Performance Values ¹				Shaded Areas Meet ENERGY STAR® Performance Criteria in Zones Shown					
			Ext.	Mid.	Int.		U-Factor	SHGC	VLT %	CR	U. S.				Canada ²	
											Zone				ER	
Vent Triple-Pane Glazing - Aluminum-Clad Exterior											N	NC	SC	S		CA
1"	Advanced Low-E IG	PEL-N-11-24333-00001	3	3	3	argon	0.23	0.25	0.45	65		NC				
	with grilles-between-the-glass	PEL-N-11-24334-00001					0.23	0.23	0.40	65		NC	SC	S		
	with integral grilles	PEL-N-11-24335-00001					0.23	0.23	0.40	65		NC	SC	S		
1"	SunDefense™ Low-E IG	PEL-N-11-24337-00001	3	3	3	argon	0.23	0.18	0.41	65		NC	SC	S		
	with grilles-between-the-glass	PEL-N-11-24338-00001					0.23	0.17	0.37	65		NC	SC	S		
	with integral grilles	PEL-N-11-24339-00001					0.23	0.17	0.37	65		NC	SC	S		
1"	NaturalSun Low-E IG	PEL-N-11-24329-00001	3	3	3	argon	0.23	0.41	0.50	65	N				35 CA	
	with grilles-between-the-glass	PEL-N-11-24330-00001					0.24	0.37	0.46	65	N	NC				
	with integral grilles	PEL-N-11-24331-00001					0.23	0.37	0.46	65	N	NC				
Vent Triple-Pane High Altitude Glazing																
1"	Advanced Low-E IG	PEL-N-11-24269-00001	3	3	3	air	0.26	0.25	0.45	62						
	with grilles-between-the-glass	PEL-N-11-24270-00001					0.26	0.23	0.40	62			SC	S		
	with integral grilles	PEL-N-11-24271-00001					0.26	0.23	0.40	62			SC	S		
1"	SunDefense Low-E IG	PEL-N-11-24277-00001	3	3	3	air	0.26	0.19	0.41	62			SC	S		
	with grilles-between-the-glass	PEL-N-11-24278-00001					0.26	0.17	0.37	62			SC	S		
	with integral grilles	PEL-N-11-24279-00001					0.26	0.17	0.37	62			SC	S		
1"	NaturalSun Low-E IG	PEL-N-11-24261-00001	3	3	3	air	0.26	0.41	0.50	61	N					
	with grilles-between-the-glass	PEL-N-11-24262-00001					0.27	0.37	0.46	61						
	with integral grilles	PEL-N-11-24263-00001					0.27	0.37	0.46	61						

R-Value = 1/U-Factor
 SHGC = Solar Heat Gain Coefficient
 VLT % = Visible Light Transmission
 CR = Condensation Resistance
 ER = Canadian Energy Rating

(1) Glazing performance values are calculated for Pine using NFRC 100, NFRC 200 and NFRC 500. Thermal performance of other wood species may vary. ENERGY STAR® values are updated to 2023 (Version 7) criteria.
 (2) The values shown are based on Canada's updated ENERGY STAR® 2020 initiative. Based on unit size, some products will use 2.5 mm glass that will have equivalent or improved performance from what is shown. Visit www.energystar.gov for Energy Star guidelines.





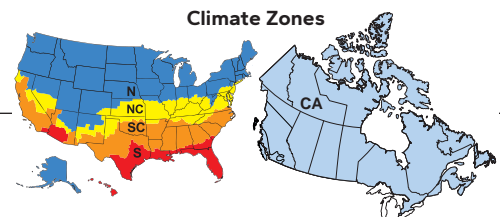
Pella® Reserve™ Traditional Casement Window

Glazing Performance - Total Unit

Glazing Thickness	Type of Glazing	NFRC Certified Product #	Glass (mm)			Gap Fill	Performance Values ¹				Shaded Areas Meet ENERGY STAR® Performance Criteria in Zones Shown										
			Ext.	Mid.	Int.		U-Factor	SHGC	VLT %	CR	U. S.				Canada ²						
											Zone				ER						
Fixed Triple-Pane Glazing - Aluminum-Clad Exterior											N	NC	SC	S							CA
1"	Advanced Low-E IG	PEL-N-1-59331-00001	3	3	3	argon	0.21	0.28	0.51	65	N	NC					30	CA			
	with grilles-between-the-glass	PEL-N-1-59332-00001					0.21	0.25	0.45	65	N	NC					28	CA			
	with integral grilles	PEL-N-1-59333-00001					0.21	0.25	0.45	65	N	NC					28	CA			
1"	SunDefense™ Low-E IG	PEL-N-1-59335-00001	3	3	3	argon	0.20	0.21	0.47	66	N	NC	SC	S			27	CA			
	with grilles-between-the-glass	PEL-N-1-59336-00001					0.21	0.19	0.42	66	N	NC	SC	S			25	CA			
	with integral grilles	PEL-N-1-59337-00001					0.21	0.19	0.42	66	N	NC	SC	S			25	CA			
1"	NaturalSun Low-E IG	PEL-N-1-59327-00001	3	3	3	argon	0.21	0.46	0.57	65	N						40	CA			
	with grilles-between-the-glass	PEL-N-1-59328-00001					0.22	0.42	0.51	65	N						37	CA			
	with integral grilles	PEL-N-1-59329-00001					0.21	0.42	0.51	65	N						38	CA			
Fixed Triple-Pane High Altitude Glazing																					
1"	Advanced Low-E IG	PEL-N-1-59267-00001	3	3	3	air	0.24	0.28	0.51	62		NC									
	with grilles-between-the-glass	PEL-N-1-59268-00001					0.25	0.25	0.45	62		NC									
	with integral grilles	PEL-N-1-59269-00001					0.25	0.25	0.45	62		NC									
1"	SunDefense Low-E IG	PEL-N-1-59275-00001	3	3	3	air	0.24	0.21	0.47	62		NC	SC	S							
	with grilles-between-the-glass	PEL-N-1-59276-00001					0.25	0.19	0.42	62		NC	SC	S							
	with integral grilles	PEL-N-1-59277-00001					0.25	0.19	0.42	62		NC	SC	S							
1"	NaturalSun Low-E IG	PEL-N-1-59259-00001	3	3	3	air	0.25	0.46	0.57	62	N						35	CA			
	with grilles-between-the-glass	PEL-N-1-59260-00001					0.25	0.42	0.51	62	N										
	with integral grilles	PEL-N-1-59261-00001					0.25	0.42	0.51	62	N										

R-Value = 1/U-Factor
 SHGC = Solar Heat Gain Coefficient
 VLT % = Visible Light Transmission
 CR = Condensation Resistance
 ER = Canadian Energy Rating

(1) Glazing performance values are calculated for Pine using NFRC 100, NFRC 200 and NFRC 500. Thermal performance of other wood species may vary. ENERGY STAR® values are updated to 2023 (Version 7) criteria.
 (2) The values shown are based on Canada's updated ENERGY STAR® 2020 initiative. Based on unit size, some products will use 2.5 mm glass that will have equivalent or improved performance from what is shown. Visit www.energystar.gov for Energy Star guidelines.





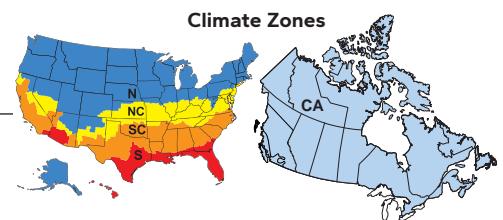
Pella® Reserve™ Traditional Casement Window

Glazing Performance - Total Unit

Glazing Thickness	Type of Glazing	NFRC Certified Product #	Glass (mm)		Gap Fill	Performance Values ¹				Shaded Areas Meet ENERGY STAR® Performance Criteria in Zones Shown					
			Ext.	Int.		U-Factor	SHGC	VLT %	CR	U. S.				Canada ²	
										Zone				ER	
Vent Dual-Pane Glazing - Wood Exterior										N	NC	SC	S	CA	
11/16"	Clear IG	PEL-N-39-21425-00001	3	3	air	0.42	0.53	0.56	45						
	with grilles-between-the-glass	PEL-N-39-21426-00001				0.42	0.48	0.50	45						
	with integral grilles	PEL-N-39-21427-00001				0.42	0.48	0.50	45						
11/16"	Advanced Low-E IG	PEL-N-39-21593-00001	3	3	argon	0.26	0.26	0.48	62						
	with grilles-between-the-glass	PEL-N-39-21594-00001				0.26	0.23	0.43	62			SC	S		
	with integral grilles	PEL-N-39-21595-00001				0.27	0.23	0.43	62			SC	S		
11/16"	SunDefense™ Low-E IG	PEL-N-39-21597-00001	3	3	argon	0.26	0.19	0.44	62			SC	S		
	with grilles-between-the-glass	PEL-N-39-21598-00001				0.26	0.18	0.40	62			SC	S		
	with integral grilles	PEL-N-39-21599-00001				0.27	0.18	0.40	62			SC	S		
11/16"	SunDefense+ Low-E IG	PEL-N-39-23157-00001	3	3	argon	0.23	0.19	0.43	49		NC	SC	S		
	with grilles-between-the-glass	PEL-N-39-23158-00001				0.23	0.17	0.39	49		NC	SC	S		
	with integral grilles	PEL-N-39-23159-00001				0.23	0.17	0.39	44		NC	SC	S		
11/16"	AdvancedComfort Low-E IG	PEL-N-39-21605-00001	3	3	argon	0.23	0.25	0.46	49		NC				
	with grilles-between-the-glass	PEL-N-39-21606-00001				0.23	0.23	0.42	49		NC	SC	S		
	with integral grilles	PEL-N-39-21607-00001				0.24	0.23	0.42	49		NC	SC	S		
11/16"	NaturalSun Low-E IG	PEL-N-39-21601-00001	3	3	argon	0.27	0.47	0.54	61						
	with grilles-between-the-glass	PEL-N-39-21602-00001				0.27	0.43	0.49	61						
	with integral grilles	PEL-N-39-21603-00001				0.28	0.43	0.49	61						
11/16"	NaturalSun+ Low-E IG	PEL-N-39-23085-00001	3	3	argon	0.24	0.43	0.53	48	N				35	CA
	with grilles-between-the-glass	PEL-N-39-23086-00001				0.24	0.39	0.47	48	N	NC				
	with integral grilles	PEL-N-39-23087-00001				0.24	0.39	0.47	48	N	NC				
Vent Dual-Pane Tinted Glazing															
11/16"	Bronze Advanced Low-E IG	PEL-N-39-21713-00002	5	3	argon	0.27	0.23	0.31	61			SC	S		
	with grilles-between-the-glass	PEL-N-39-21714-00002				0.28	0.21	0.28	61			SC	S		
	with integral grilles	PEL-N-39-21715-00002				0.28	0.21	0.28	61			SC	S		
11/16"	Gray Advanced Low-E IG	PEL-N-39-21713-00003	5	3	argon	0.27	0.21	0.26	61			SC	S		
	with grilles-between-the-glass	PEL-N-39-21714-00003				0.28	0.19	0.24	61			SC	S		
	with integral grilles	PEL-N-39-21715-00003				0.28	0.19	0.24	61			SC	S		
11/16"	Green Advanced Low-E IG	PEL-N-39-21713-00004	5	3	argon	0.27	0.26	0.42	61						
	with grilles-between-the-glass	PEL-N-39-21714-00004				0.28	0.24	0.38	61						
	with integral grilles	PEL-N-39-21715-00004				0.28	0.24	0.38	61						
Vent Dual-Pane High Altitude Glazing															
11/16"	Advanced Low-E IG	PEL-N-39-21449-00001	3	3	air	0.30	0.26	0.48	58						
	with grilles-between-the-glass	PEL-N-39-21450-00001				0.30	0.24	0.43	58						
	with integral grilles	PEL-N-39-21451-00001				0.30	0.24	0.43	58						
11/16"	SunDefense Low-E IG	PEL-N-39-21473-00001	3	3	air	0.29	0.19	0.44	58				S		
	with grilles-between-the-glass	PEL-N-39-21474-00001				0.29	0.18	0.40	58				S		
	with integral grilles	PEL-N-39-21475-00001				0.30	0.18	0.40	58				S		
11/16"	SunDefense+ Low-E IG	PEL-N-39-23153-00001	3	3	air	0.25	0.19	0.43	45		NC	SC	S		
	with grilles-between-the-glass	PEL-N-39-23154-00001				0.25	0.17	0.39	45		NC	SC	S		
	with integral grilles	PEL-N-39-23155-00001				0.26	0.17	0.39	45			SC	S		
11/16"	AdvancedComfort Low-E IG	PEL-N-39-21521-00001	3	3	air	0.26	0.25	0.46	45						
	with grilles-between-the-glass	PEL-N-39-21522-00001				0.26	0.23	0.42	45			SC	S		
	with integral grilles	PEL-N-39-21523-00001				0.26	0.23	0.42	45			SC	S		
11/16"	NaturalSun Low-E IG	PEL-N-39-21497-00001	3	3	air	0.31	0.47	0.54	57						
	with grilles-between-the-glass	PEL-N-39-21498-00001				0.31	0.43	0.49	57						
	with integral grilles	PEL-N-39-21499-00001				0.31	0.43	0.49	57						
11/16"	NaturalSun+ Low-E IG	PEL-N-39-23081-00001	3	3	air	0.26	0.43	0.53	44	N					
	with grilles-between-the-glass	PEL-N-39-23082-00001				0.26	0.39	0.47	44						
	with integral grilles	PEL-N-39-23083-00001				0.27	0.39	0.47	44						

R-Value = 1/U-Factor
 SHGC = Solar Heat Gain Coefficient
 VLT % = Visible Light Transmission
 CR = Condensation Resistance
 ER = Canadian Energy Rating

(1) Glazing performance values are calculated for Pine using NFRC 100, NFRC 200 and NFRC 500. Thermal performance of other wood species may vary. ENERGY STAR® values are updated to 2023 (Version 7) criteria.
 (2) The values shown are based on Canada's updated ENERGY STAR® 2020 initiative.
 Based on unit size, some products will use 2.5 mm glass that will have equivalent or improved performance from what is shown. Visit www.energystar.gov for Energy Star guidelines.





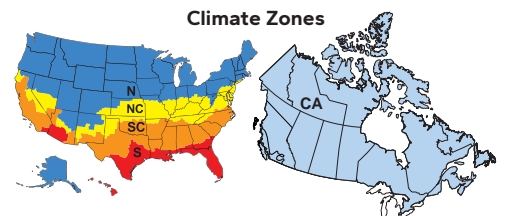
Pella® Reserve™ Traditional Casement Window

Glazing Performance - Total Unit

Glazing Thickness	Type of Glazing	NFRC Certified Product #	Glass (mm)		Gap Fill	Performance Values ¹				Shaded Areas Meet ENERGY STAR® Performance Criteria in Zones Shown					
			Ext.	Int.		U-Factor	SHGC	VLT %	CR	U. S.				Canada ²	
										Zone				ER	
Fixed Dual-Pane Glazing - Wood Exterior										N	NC	SC	S		CA
11/16"	Clear IG	PEL-N-41-42832-00001	3	3	air	0.44	0.62	0.65	45						
	with grilles-between-the-glass	PEL-N-41-42833-00001				0.44	0.56	0.58	45						
	with integral grilles	PEL-N-41-42834-00001				0.45	0.56	0.58	45						
11/16"	Advanced Low-E IG	PEL-N-41-43000-00001	3	3	argon	0.26	0.29	0.55	61						
	with grilles-between-the-glass	PEL-N-41-43001-00001				0.26	0.27	0.49	61						
	with integral grilles	PEL-N-41-43002-00001				0.27	0.27	0.49	61						
11/16"	SunDefense™ Low-E IG	PEL-N-41-43004-00001	3	3	argon	0.25	0.22	0.51	62		NC	SC	S		
	with grilles-between-the-glass	PEL-N-41-43005-00001				0.25	0.20	0.46	62		NC	SC	S		
	with integral grilles	PEL-N-41-43006-00001				0.26	0.20	0.46	62			SC	S		
11/16"	SunDefense+ Low-E IG	PEL-N-41-45420-00001	3	3	argon	0.22	0.22	0.50	49	N	NC	SC	S		
	with grilles-between-the-glass	PEL-N-41-45421-00001				0.22	0.20	0.45	49	N	NC	SC	S		
	with integral grilles	PEL-N-41-45422-00001				0.22	0.20	0.45	49	N	NC	SC	S		
11/16"	AdvancedComfort Low-E IG	PEL-N-41-43012-00001	3	3	argon	0.22	0.29	0.54	48	N	NC				
	with grilles-between-the-glass	PEL-N-41-43013-00001				0.22	0.26	0.48	48	N	NC				
	with integral grilles	PEL-N-41-43014-00001				0.23	0.26	0.48	48		NC				
11/16"	NaturalSun Low-E IG	PEL-N-41-43008-00001	3	3	argon	0.27	0.55	0.63	61						38 CA
	with grilles-between-the-glass	PEL-N-41-43009-00001				0.27	0.49	0.56	61						35 CA
	with integral grilles	PEL-N-41-43010-00001				0.28	0.49	0.56	61						
11/16"	NaturalSun+ Low-E IG	PEL-N-41-45348-00001	3	3	argon	0.23	0.50	0.61	47	N					40 CA
	with grilles-between-the-glass	PEL-N-41-45349-00001				0.23	0.45	0.55	47	N					37 CA
	with integral grilles	PEL-N-41-45350-00001				0.24	0.45	0.55	47	N					36 CA
Fixed Dual-Pane Tinted Glazing															
11/16"	Bronze Advanced Low-E IG	PEL-N-41-43120-00002	5	3	argon	0.27	0.26	0.36	60						
	with grilles-between-the-glass	PEL-N-41-43121-00002				0.28	0.24	0.32	60						
	with integral grilles	PEL-N-41-43122-00002				0.28	0.24	0.32	60						
11/16"	Gray Advanced Low-E IG	PEL-N-41-43120-00003	5	3	argon	0.27	0.24	0.31	60						
	with grilles-between-the-glass	PEL-N-41-43121-00003				0.28	0.22	0.28	60			SC	S		
	with integral grilles	PEL-N-41-43122-00003				0.28	0.22	0.28	60			SC	S		
11/16"	Green Advanced Low-E IG	PEL-N-41-43120-00004	5	3	argon	0.27	0.30	0.49	60						
	with grilles-between-the-glass	PEL-N-41-43121-00004				0.28	0.27	0.43	60						
	with integral grilles	PEL-N-41-43122-00004				0.28	0.27	0.43	60						
Fixed Dual-Pane High Altitude Glazing															
11/16"	Advanced Low-E IG	PEL-N-41-42856-00001	3	3	air	0.30	0.30	0.55	57						
	with grilles-between-the-glass	PEL-N-41-42857-00001				0.30	0.27	0.49	57						
	with integral grilles	PEL-N-41-42858-00001				0.31	0.27	0.49	57						
11/16"	SunDefense Low-E IG	PEL-N-41-42880-00001	3	3	air	0.29	0.22	0.51	58						S
	with grilles-between-the-glass	PEL-N-41-42881-00001				0.29	0.20	0.46	58						S
	with integral grilles	PEL-N-41-42882-00001				0.30	0.20	0.46	58						S
11/16"	SunDefense+ Low-E IG	PEL-N-41-45416-00001	3	3	air	0.24	0.22	0.50	45		NC	SC	S		
	with grilles-between-the-glass	PEL-N-41-45417-00001				0.24	0.20	0.45	45		NC	SC	S		
	with integral grilles	PEL-N-41-45418-00001				0.25	0.20	0.45	45		NC	SC	S		
11/16"	AdvancedComfort Low-E IG	PEL-N-41-42928-00001	3	3	air	0.25	0.29	0.54	44		NC				
	with grilles-between-the-glass	PEL-N-41-42929-00001				0.25	0.26	0.48	44		NC				
	with integral grilles	PEL-N-41-42930-00001				0.26	0.26	0.48	44						
11/16"	NaturalSun Low-E IG	PEL-N-41-42904-00001	3	3	air	0.31	0.54	0.63	57						
	with grilles-between-the-glass	PEL-N-41-42905-00001				0.31	0.49	0.56	57						
	with integral grilles	PEL-N-41-42906-00001				0.32	0.49	0.56	57						
11/16"	NaturalSun+ Low-E IG	PEL-N-41-45344-00001	3	3	air	0.25	0.49	0.61	43	N					37 CA
	with grilles-between-the-glass	PEL-N-41-45345-00001				0.25	0.44	0.55	43	N					34 CA
	with integral grilles	PEL-N-41-45346-00001				0.26	0.44	0.55	43	N					

R-Value = 1/U-Factor
 SHGC = Solar Heat Gain Coefficient
 VLT % = Visible Light Transmission
 CR = Condensation Resistance
 ER = Canadian Energy Rating

(1) Glazing performance values are calculated for Pine using NFRC 100, NFRC 200 and NFRC 500. Thermal performance of other wood species may vary. ENERGY STAR® values are updated to 2023 (Version 7) criteria.
 (2) The values shown are based on Canada's updated ENERGY STAR® 2020 initiative. Based on unit size, some products will use 2.5 mm glass that will have equivalent or improved performance from what is shown. Visit www.energystar.gov for Energy Star guidelines.





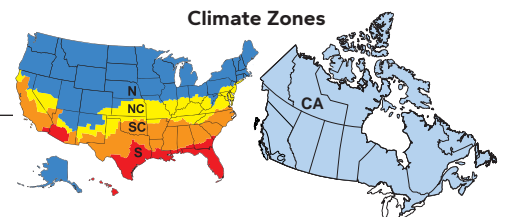
Pella® Reserve™ Traditional Casement Window

Glazing Performance - Total Unit

Glazing Thickness	Type of Glazing	NFRC Certified Product #	Glass (mm)			Gap Fill	Performance Values ¹				Shaded Areas Meet ENERGY STAR® Performance Criteria in Zones Shown					
			Ext.	Mid	Int.		U-Factor	SHGC	VLT %	CR	U. S.				Canada ²	
											Zone				ER	
Vent Triple-Pane Glazing - Wood Exterior											N	NC	SC	S		CA
1"	Advanced Low-E IG	PEL-N-39-21613-00001	3	3	3	argon	0.21	0.23	0.42	71	N	NC	SC	S	27	CA
	with grilles-between-the-glass	PEL-N-39-21614-00001					0.21	0.21	0.38	71	N	NC	SC	S	26	CA
	with integral grilles	PEL-N-39-21615-00001					0.21	0.21	0.38	71	N	NC	SC	S	26	CA
1"	SunDefense™ Low-E IG	PEL-N-39-21617-00001	3	3	3	argon	0.20	0.17	0.39	71	N	NC	SC	S	25	CA
	with grilles-between-the-glass	PEL-N-39-21618-00001					0.21	0.16	0.35	71		NC	SC	S		
	with integral grilles	PEL-N-39-21619-00001					0.21	0.16	0.35	71		NC	SC	S		
1"	NaturalSun Low-E IG	PEL-N-39-21609-00001	3	3	3	argon	0.21	0.39	0.47	71	N	NC			36	CA
	with grilles-between-the-glass	PEL-N-39-21610-00001					0.21	0.35	0.43	71	N	NC			34	CA
	with integral grilles	PEL-N-39-21611-00001					0.21	0.35	0.43	71	N	NC			34	CA
Vent Triple-Pane High Altitude Glazing																
1"	Advanced Low-E IG	PEL-N-39-21561-00001	3	3	3	air	0.24	0.23	0.42	67		NC	SC	S		
	with grilles-between-the-glass	PEL-N-39-21562-00001					0.24	0.21	0.38	67		NC	SC	S		
	with integral grilles	PEL-N-39-21563-00001					0.24	0.21	0.38	67		NC	SC	S		
1"	SunDefense Low-E IG	PEL-N-39-21569-00001	3	3	3	air	0.24	0.18	0.39	67		NC	SC	S		
	with grilles-between-the-glass	PEL-N-39-21570-00001					0.24	0.16	0.35	67		NC	SC	S		
	with integral grilles	PEL-N-39-21571-00001					0.24	0.16	0.35	67		NC	SC	S		
1"	NaturalSun Low-E IG	PEL-N-39-21553-00001	3	3	3	air	0.24	0.39	0.47	66	N	NC				
	with grilles-between-the-glass	PEL-N-39-21554-00001					0.24	0.35	0.43	66	N	NC				
	with integral grilles	PEL-N-39-21555-00001					0.24	0.35	0.43	66	N	NC				

R-Value = 1/U-Factor
 SHGC = Solar Heat Gain Coefficient
 VLT % = Visible Light Transmission
 CR = Condensation Resistance
 ER = Canadian Energy Rating

(1) Glazing performance values are calculated for Pine using NFRC 100, NFRC 200 and NFRC 500. Thermal performance of other wood species may vary. ENERGY STAR® values are updated to 2023 (Version 7) criteria.
 (2) The values shown are based on Canada's updated ENERGY STAR® 2020 initiative. Based on unit size, some products will use 2.5 mm glass that will have equivalent or improved performance from what is shown. Visit www.energystar.gov for Energy Star guidelines.





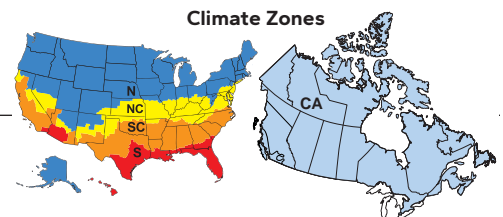
Pella® Reserve™ Traditional Casement Window

Glazing Performance - Total Unit

Glazing Thickness	Type of Glazing	NFRC Certified Product #	Glass (mm)			Gap Fill	Performance Values ¹				Shaded Areas Meet ENERGY STAR® Performance Criteria in Zones Shown					
			Ext.	Mid	Int.		U-Factor	SHGC	VLT %	CR	U. S.				Canada ²	
											Zone				ER	
Fixed Triple-Pane Glazing - Wood Exterior											N	NC	SC	S	CA	
1"	Advanced Low-E IG	PEL-N-41-43020-00001	3	3	3	argon	0.19	0.27	0.49	71	N	NC			32	CA
	with grilles-between-the-glass	PEL-N-41-43021-00001					0.20	0.24	0.44	71	N	NC			29	CA
	with integral grilles	PEL-N-41-43022-00001					0.20	0.24	0.44	71	N	NC			29	CA
1"	SunDefense™ Low-E IG	PEL-N-41-43024-00001	3	3	3	argon	0.19	0.20	0.45	72	N	NC	SC	S	28	CA
	with grilles-between-the-glass	PEL-N-41-43025-00001					0.20	0.18	0.40	72	N	NC	SC	S	25	CA
	with integral grilles	PEL-N-41-43026-00001					0.20	0.18	0.40	72	N	NC	SC	S	25	CA
1"	NaturalSun Low-E IG	PEL-N-41-43016-00001	3	3	3	argon	0.20	0.45	0.55	71	N				41	CA
	with grilles-between-the-glass	PEL-N-41-43017-00001					0.20	0.40	0.49	71	N	NC			38	CA
	with integral grilles	PEL-N-41-43018-00001					0.20	0.40	0.49	71	N	NC			38	CA
Fixed Triple-Pane High Altitude Glazing																
1"	Advanced Low-E IG	PEL-N-41-42968-00001	3	3	3	air	0.23	0.27	0.49	67		NC				
	with grilles-between-the-glass	PEL-N-41-42969-00001					0.24	0.24	0.44	67		NC				
	with integral grilles	PEL-N-41-42970-00001					0.23	0.24	0.44	67		NC				
1"	SunDefense Low-E IG	PEL-N-41-42976-00001	3	3	3	air	0.23	0.20	0.45	67		NC	SC	S		
	with grilles-between-the-glass	PEL-N-41-42977-00001					0.23	0.18	0.40	67		NC	SC	S		
	with integral grilles	PEL-N-41-42978-00001					0.23	0.18	0.40	67		NC	SC	S		
1"	NaturalSun Low-E IG	PEL-N-41-42960-00001	3	3	3	air	0.23	0.45	0.55	67	N				37	CA
	with grilles-between-the-glass	PEL-N-41-42961-00001					0.24	0.40	0.49	67	N	NC				
	with integral grilles	PEL-N-41-42962-00001					0.24	0.40	0.49	67	N	NC				

R-Value = 1/U-Factor
 SHGC = Solar Heat Gain Coefficient
 VLT % = Visible Light Transmission
 CR = Condensation Resistance
 ER = Canadian Energy Rating

(1) Glazing performance values are calculated for Pine using NFRC 100, NFRC 200 and NFRC 500. Thermal performance of other wood species may vary. ENERGY STAR® values are updated to 2023 (Version 7) criteria.
 (2) The values shown are based on Canada's updated ENERGY STAR® 2020 initiative. Based on unit size, some products will use 2.5 mm glass that will have equivalent or improved performance from what is shown. Visit www.energystar.gov for Energy Star guidelines.





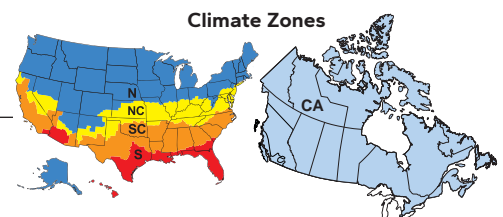
Pella® Reserve™ Traditional Casement Window

Glazing Performance - Total Unit

Glazing Thickness	Type of Glazing	NFRC Certified Product #	Glass (mm)		Gap Fill	Performance Values ¹				Shaded Areas Meet ENERGY STAR® Performance Criteria in Zones Shown					
			Ext.	Int.		U-Factor	SHGC	VLT %	CR	U. S.				Canada ²	
										Zone				ER	
Vent - Laminated Impact-Resistant - Aluminum-Clad Exterior										N	NC	SC	S	CA	
11/16"	Clear IG	PEL-N-11-24237-00001	3	8	air	0.48	0.53	0.58	40						
	with grilles-between-the-glass	PEL-N-11-24238-00001				0.49	0.49	0.53	40						
	with integral grilles	PEL-N-11-24239-00001				0.48	0.49	0.53	40						
11/16"	Advanced Low-E IG	PEL-N-11-24365-00001	3	8	argon	0.34	0.27	0.49	52						
	with grilles-between-the-glass	PEL-N-11-24366-00001				0.36	0.25	0.45	52						
	with integral grilles	PEL-N-11-24367-00001				0.35	0.25	0.45	52						
11/16"	SunDefense™ Low-E IG	PEL-N-11-24361-00001	3	8	argon	0.33	0.20	0.46	52						
	with grilles-between-the-glass	PEL-N-11-24362-00001				0.35	0.19	0.41	52						
	with integral grilles	PEL-N-11-24363-00001				0.35	0.19	0.41	52						
1"	Clear IG	PEL-N-11-24285-00001	5	10	air	0.44	0.52	0.57	42						
	with grilles-between-the-glass	PEL-N-11-24286-00001				0.45	0.47	0.52	42						
	with integral grilles	PEL-N-11-24287-00001				0.44	0.47	0.52	42						
1"	Advanced Low-E IG	PEL-N-11-24445-00001	5	10	argon	0.29	0.26	0.49	55						
	with grilles-between-the-glass	PEL-N-11-24446-00001				0.30	0.24	0.44	55						
	with integral grilles	PEL-N-11-24447-00001				0.30	0.24	0.44	55						
1"	SunDefense™ Low-E IG	PEL-N-11-24441-00001	5	10	argon	0.29	0.20	0.45	55				S		
	with grilles-between-the-glass	PEL-N-11-24442-00001				0.29	0.19	0.41	55				S		
	with integral grilles	PEL-N-11-24443-00001				0.29	0.19	0.41	55				S		
Laminated Impact-Resistant Tinted Glazing															
11/16"	Bronze Advanced Low-E IG	PEL-N-11-24365-00002	3	8	argon	0.34	0.25	0.29	52						
	with grilles-between-the-glass	PEL-N-11-24366-00002				0.36	0.23	0.27	52						
	with integral grilles	PEL-N-11-24367-00002				0.35	0.23	0.27	52						
1"	Bronze IG	PEL-N-11-24285-00002	5	10	air	0.44	0.39	0.37	42						
	with grilles-between-the-glass	PEL-N-11-24286-00002				0.45	0.36	0.34	42						
	with integral grilles	PEL-N-11-24287-00002				0.44	0.36	0.34	42						
11/16"	Gray Advanced Low-E IG	PEL-N-11-24365-00003	3	8	argon	0.34	0.25	0.23	52						
	with grilles-between-the-glass	PEL-N-11-24366-00003				0.36	0.23	0.21	52						
	with integral grilles	PEL-N-11-24367-00003				0.35	0.23	0.21	52						
1"	Gray IG	PEL-N-11-24285-00003	5	10	air	0.44	0.36	0.32	42						
	with grilles-between-the-glass	PEL-N-11-24286-00003				0.45	0.33	0.29	42						
	with integral grilles	PEL-N-11-24287-00003				0.44	0.33	0.29	42						
11/16"	11/16" Green Advanced Low-E IG	PEL-N-11-24365-00004	3	8	argon	0.34	0.26	0.40	52						
	with grilles-between-the-glass	PEL-N-11-24366-00004				0.36	0.24	0.36	52						
	with integral grilles	PEL-N-11-24367-00004				0.35	0.24	0.36	52						
1"	Green IG	PEL-N-11-24285-00004	5	10	air	0.44	0.38	0.51	42						
	with grilles-between-the-glass	PEL-N-11-24286-00004				0.45	0.35	0.46	42						
	with integral grilles	PEL-N-11-24287-00004				0.44	0.35	0.46	42						

R-Value = 1/U-Factor
 SHGC = Solar Heat Gain Coefficient
 VLT % = Visible Light Transmission
 CR = Condensation Resistance
 ER = Canadian Energy Rating

(1) Glazing performance values are calculated for Pine using NFRC 100, NFRC 200 and NFRC 500. Thermal performance of other wood species may vary. ENERGY STAR® values are updated to 2023 (Version 7) criteria.
 (2) The values shown are based on Canada's updated ENERGY STAR® 2020 initiative. Based on unit size, some products will use 2.5 mm glass that will have equivalent or improved performance from what is shown. Visit www.energystar.gov for Energy Star guidelines.





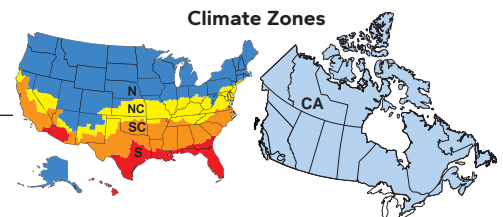
Pella® Reserve™ Traditional Casement Window

Glazing Performance - Total Unit

Glazing Thickness	Type of Glazing	NFRC Certified Product #	Glass (mm)		Gap Fill	Performance Values ₁				Shaded Areas Meet ENERGY STAR® Performance Criteria in Zones Shown					
			Ext.	Int.		U-Factor	SHGC	VLT %	CR	U. S.		Canada ₂			
										Zone		ER			
Fixed - Laminated Impact-Resistant - Aluminum-Clad Exterior										N	NC	SC	S	CA	
11/16"	Clear IG	PEL-N-1-59235-00001	3	8	air	0.49	0.60	0.66	40						
	with grilles-between-the-glass	PEL-N-1-59236-00001				0.51	0.54	0.59	40						
	with integral grilles	PEL-N-1-59237-00001				0.50	0.54	0.59	40						
11/16"	Advanced Low-E IG	PEL-N-1-59363-00001	3	8	argon	0.33	0.30	0.56	52						
	with grilles-between-the-glass	PEL-N-1-59364-00001				0.36	0.27	0.50	52						
	with integral grilles	PEL-N-1-59365-00001				0.35	0.27	0.50	52						
11/16"	SunDefense™ Low-E IG	PEL-N-1-59359-00001	3	8	argon	0.32	0.23	0.52	52				S		
	with grilles-between-the-glass	PEL-N-1-59360-00001				0.35	0.21	0.46	52						
	with integral grilles	PEL-N-1-59361-00001				0.34	0.21	0.46	52						
1"	Clear IG	PEL-N-1-59283-00001	5	10	air	0.45	0.58	0.65	42						
	with grilles-between-the-glass	PEL-N-1-59284-00001				0.46	0.53	0.58	42						
	with integral grilles	PEL-N-1-59285-00001				0.45	0.53	0.58	42						
1"	Advanced Low-E IG	PEL-N-1-59443-00001	5	10	argon	0.27	0.30	0.55	55						
	with grilles-between-the-glass	PEL-N-1-59444-00001				0.29	0.27	0.49	55						
	with integral grilles	PEL-N-1-59445-00001				0.28	0.27	0.49	55						
1"	SunDefense Low-E IG	PEL-N-1-59439-00001	5	10	argon	0.27	0.23	0.51	55			SC	S		
	with grilles-between-the-glass	PEL-N-1-59440-00001				0.28	0.21	0.46	55			SC	S		
	with integral grilles	PEL-N-1-59441-00001				0.28	0.21	0.46	55			SC	S		
Laminated Impact-Resistant Tinted Glazing															
11/16"	Bronze Advanced Low-E IG	PEL-N-1-59363-00002	3	8	argon	0.33	0.29	0.33	52						
	with grilles-between-the-glass	PEL-N-1-59364-00002				0.36	0.26	0.30	52						
	with integral grilles	PEL-N-1-59365-00002				0.35	0.26	0.30	52						
1"	Bronze IG	PEL-N-1-59283-00002	5	10	air	0.45	0.44	0.42	42						
	with grilles-between-the-glass	PEL-N-1-59284-00002				0.46	0.40	0.38	42						
	with integral grilles	PEL-N-1-59285-00002				0.45	0.40	0.38	42						
11/16"	Gray Advanced Low-E IG	PEL-N-1-59363-00003	3	8	argon	0.33	0.28	0.26	52						
	with grilles-between-the-glass	PEL-N-1-59364-00003				0.36	0.26	0.24	52						
	with integral grilles	PEL-N-1-59365-00003				0.35	0.26	0.24	52						
1"	Gray IG	PEL-N-1-59283-00003	5	10	air	0.45	0.40	0.37	42						
	with grilles-between-the-glass	PEL-N-1-59284-00003				0.46	0.36	0.33	42						
	with integral grilles	PEL-N-1-59285-00003				0.45	0.36	0.33	42						
11/16"	Green Advanced Low-E IG	PEL-N-1-59363-00004	3	8	argon	0.33	0.30	0.45	52						
	with grilles-between-the-glass	PEL-N-1-59364-00004				0.36	0.27	0.41	52						
	with integral grilles	PEL-N-1-59365-00004				0.35	0.27	0.41	52						
1"	Green IG	PEL-N-1-59283-00004	5	10	air	0.45	0.43	0.58	42						
	with grilles-between-the-glass	PEL-N-1-59284-00004				0.46	0.39	0.52	42						
	with integral grilles	PEL-N-1-59285-00004				0.45	0.39	0.52	42						

R-Value = 1/U-Factor
 SHGC = Solar Heat Gain Coefficient
 VLT % = Visible Light Transmission
 CR = Condensation Resistance
 ER = Canadian Energy Rating

(1) Glazing performance values are calculated for Pine using NFRC 100, NFRC 200 and NFRC 500. Thermal performance of other wood species may vary. ENERGY STAR® values are updated to 2023 (Version 7) criteria.
 (2) The values shown are based on Canada's updated ENERGY STAR® 2020 initiative.
 Based on unit size, some products will use 2.5 mm glass that will have equivalent or improved performance from what is shown. Visit www.energystar.gov for Energy Star guidelines.



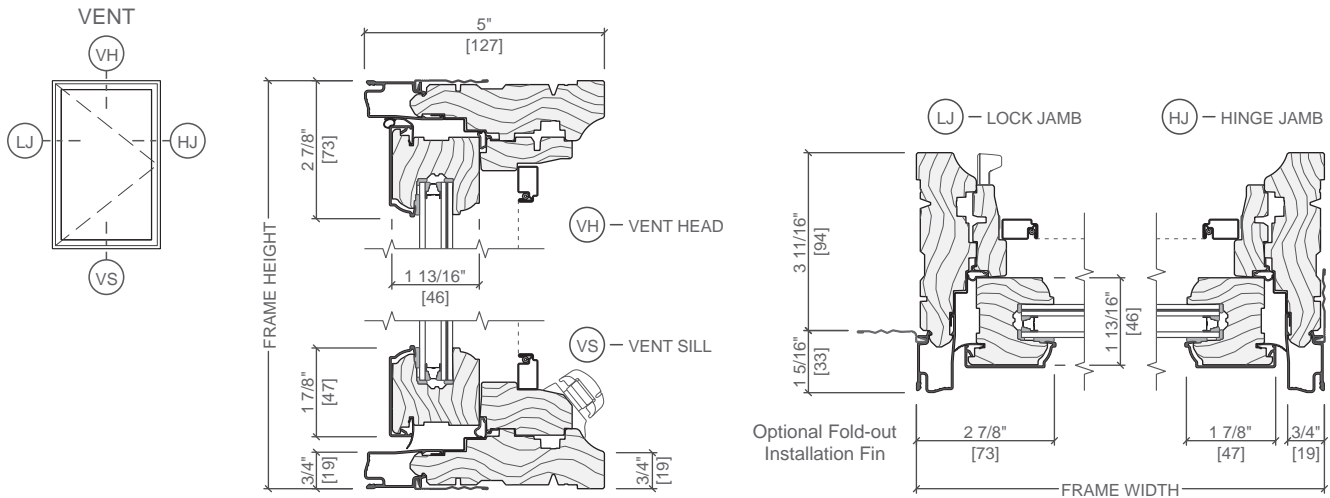


Pella® Reserve™ Traditional Casement Window

Products with Impact-Resistant Glass

For a complete list of ratings, refer to the Impact-Resistant product section.

Product	Design Pressure Large Missile Rating D		Hallmark Certified	Florida Product Approval System
	Minimum	Maximum		
VENT UNITS				
11/16" Insulated Glass PVB	75	75	411-H-1339	FL10015.1
1" Insulated Glass SGP	75	+75 / -85	411-H-1339	FL10015.3
Fixed UNITS				
11/16" Insulated Glass PVB	75	75	411-H-1339	FL10022.1
1" Insulated Glass SGP	+75 / -85	+75 / -85	411-H-1339	FL10022.4
Large FIXED UNITS				
11/16" Insulated Glass PVB	75	75	411-H-1339	FL10022.1
1" Insulated Glass SGP	75	+75 / -85	411-H-1339	FL10022.4



(-) = Not Available

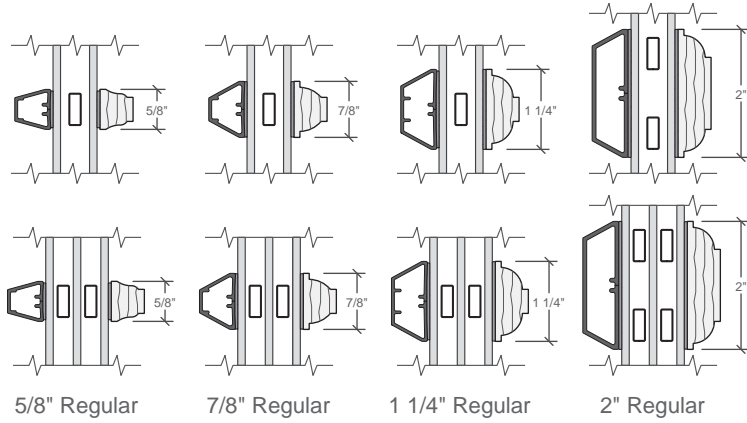
All sizes and glass types are tested for air/water/structural and impact-resistance, and are certified for wind zone 4, large missile rating D. Florida Product Approval System number not needed if Miami-Dade County approved. Consult your local building code to ensure products meet all requirements.



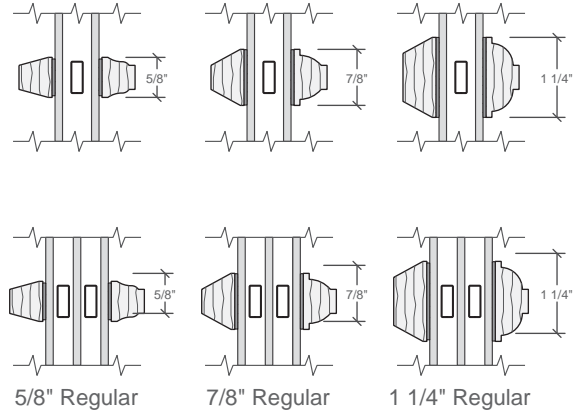
Grille Profiles

Traditional Style Collection - Integral Light Technology®

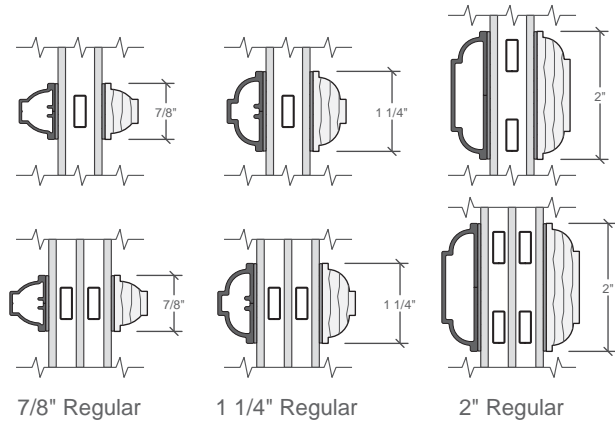
Putty Glaze and Ogee Grilles
Clad Exterior - Wood Interior



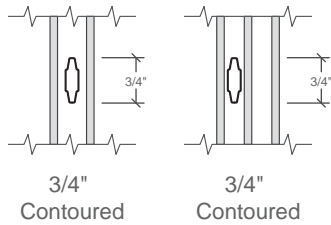
Putty Glaze and Ogee Grilles
Wood Exterior - Wood Interior



Ogee Grilles
Clad Exterior - Wood Interior



Grilles-Between-the-Glass



Interior Wood ILT grilles available in Pine, Mahogany, Douglas Fir to match complete unit.
Exterior wood ILT grilles available in Pine or Mahogany to match complete unit.



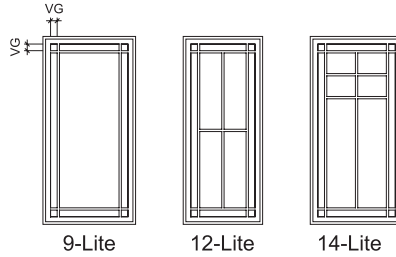
Grille Patterns

Integral Light Technology® Grilles

Prairie Lite Patterns

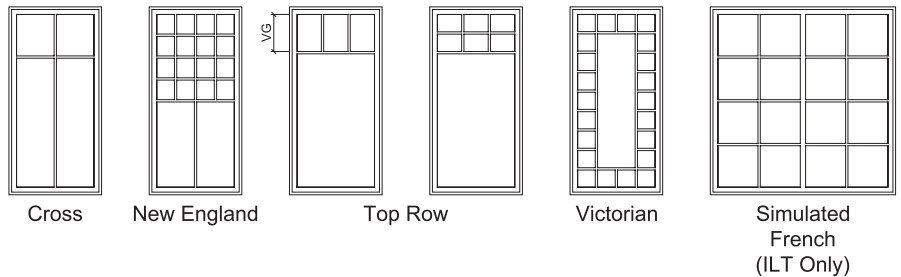
Size range availability is for 3/4", 7/8" and 1-1/4" grille width. Standard corner lite dimension for Prairie patterns = 2-1/2" VG.

- 9-Lite**
 - Available in all standard and special sizes.
- 12-Lite**
 - Available in units ≥ 1'9" and ≤ 2'11" in width, and ≥ 1'9" in height.
- 14-Lite**
 - Available in units ≥ 1'9" in width and ≥ 2'11" in height.



Other Available Patterns

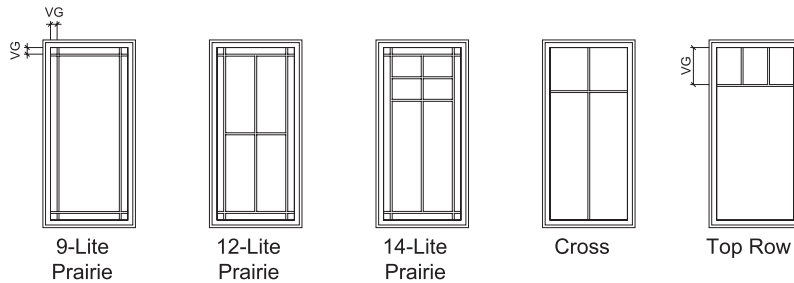
- Cross**
 - Standard visible glass to separator bar = one-quarter of total visible glass height.
- New England**
 - Standard visible glass to separator bar = half of total visible glass height.
- Top Row**
 - Standard visible glass to separator bar = 14" or half of total visible glass height, whichever is smaller.



Grilles-Between-the-Glass

Other Available Patterns

- Cross**
 - Available for units with frame heights ≥ 35". Standard visible glass to separator bar = 1/4 of total visible glass height.
- Top Row**
 - Standard visible glass to separator bar = 14" for frame heights >35". Standard visible glass to separator bar = 21" for 35" frame heights and optional for 41" frame height. Separator bar at 12" or 16" optional for frame heights >41".



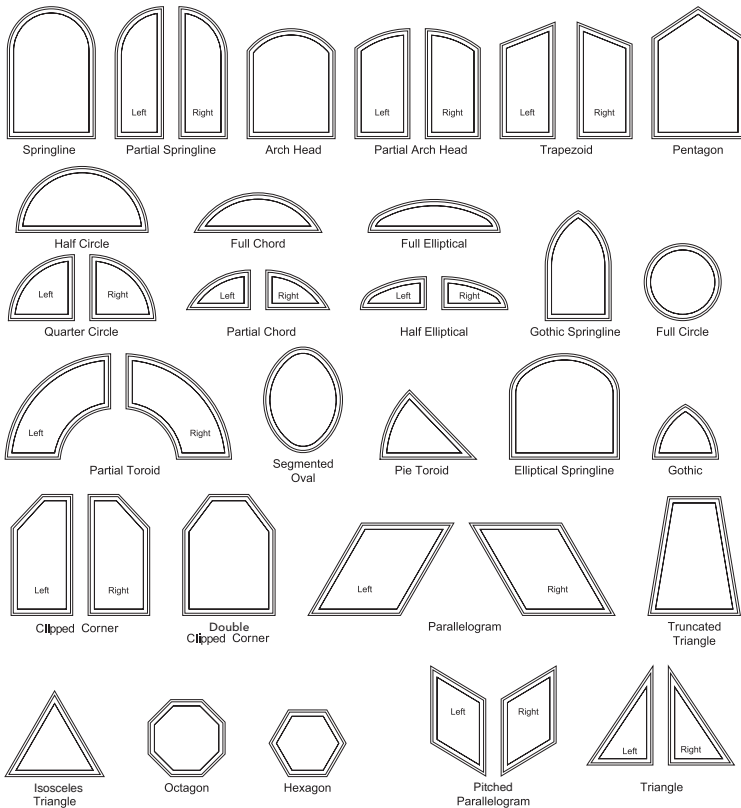
For traditional patterns, see size tables.

VG = Visible Glass
Lite dimensions noted can vary.
Custom configurations are also available, for details contact your local Pella sales representative.



Casement Shapes and Custom Options

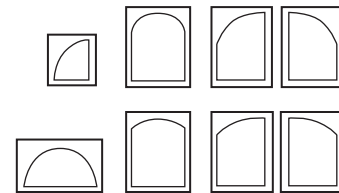
Casement Shapes - (as viewed from the exterior)



The following additional options are available:

- Special Wood Types
- Custom Grille Types and Patterns
- Custom Glazing
- Custom Width and height rectangular units
- Custom Width sash stiles and rails
- Curved Top Glass in rectangular sash
- Shape vent and fixed windows
- Corner Window Units (Fixed Only)
- Specialty Windows – See the Specialty Windows section

Contact your local sales representative for complete information.



Glass Shapes

Refer to the Casement Shapes Product document for a full list of availability and limitations.

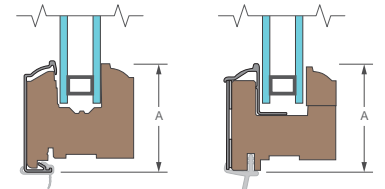
Custom Stile and Rail Widths

The A dimension shown can vary from 1-7/8" to 5-3/4".

Any members meeting at an angle not equal to 90° and springline must be the same width.

Bottom rail available with A dimension from 1-7/8" to 9".

NOTE: Performance Class and Grade for a Casement with additional options and Specialty windows may not be the same as Standard and Special size units. Please contact your local Pella representative for complete information.



Cross section shown is a simplified representation of design, bottom rail shown as an example.

Mitered Corner	Minimum	Maximum	Restrictions
<p>Fixed Sash in Frame (Casement)</p>	Fixed		<p>Max Frame area of each side cannot be > 54.5 sq ft.</p> <p>Max Glass Area of each side cannot be > 48 sq ft.</p>
W Left	12"	4' 0"	
W Right	12"	4' 0"	
Height	12"	6' 1"	
<p>Fixed Frame Direct Set</p>	Fixed		<p>Max Frame area of each side cannot be > 54.5 sq ft.</p> <p>Max Glass Area of each side cannot be > 48 sq ft.</p> <p>See Fixed Frame Direct Set product section for features and options</p>
W Left	12"	4' 0"	
W Right	12"	4' 0"	
Height	12"	6' 1"	



Pella® Reserve™ Traditional Casement Window

Size Tables

	(451) (432)	(552) (533)	(603) (584)	(654) (635)	(756) (737)	(832) (813)	(908) (889)
Opening	1' 5 3/4"	1' 9 3/4"	1' 11 3/4"	2' 1 3/4"	2' 5 3/4"	2' 8 3/4"	2' 11 3/4"
Frame	1' 5"	1' 9"	1' 11"	2' 1"	2' 5"	2' 8"	2' 11"
1' 2"	1714	2114	2314	2514	2914	3214	3514
1' 5"	1717	2117	2317	2517	2917	3217	3517
1' 9"		2121					
1' 11"			2323				
2' 1"	1725	2125	2325	2525	2925	3225	3525
2' 5"				2929			

Not to scale.

ⓔ = Fixed Unit Only

Traditional grille patterns shown.

Venting transoms are available as casements or awnings.

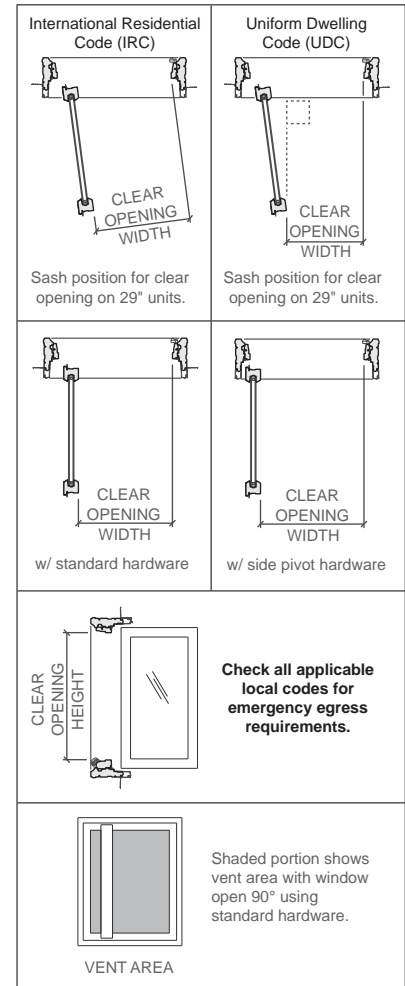


Pella® Reserve™ Traditional Casement Window

Size Tables

Vent and Fixed Units

	(451) (432)	(552) (533)	(603) (584)	(654) (635)	(756) (737)	(832) (813)	(908) (889)
Opening	1' 5 3/4"	1' 9 3/4"	1' 11 3/4"	2' 1 3/4"	2' 5 3/4"	2' 8 3/4"	2' 11 3/4"
Frame	1' 5"	1' 9"	1' 11"	2' 1"	2' 5"	2' 8"	2' 11"
(832) (813)							
(908) (889)							
(1060) (1041)							
(1213) (1194)							
(1365) (1346)							
(1518) (1499)							
(1670) (1651)							
(1822) (1803)							
(1873) (1854)							



Egress Notes for Standard Crank-Out Casement:

Check all applicable local codes for emergency egress requirements.

- E = Window meets minimum clear opening of 24" height, 20" width, and 5.7 ft².
- E1 = Window meets minimum clear opening of 24" height, 20" width, and 5.0 ft².
- E2 = With optional side pivot hardware, window meets minimum clear opening of 24" height, 20" width, and 5.7 ft².
- E3 = With optional side pivot hardware, window meets minimum clear opening of 24" height, 20" width, and 5.0 ft².

Clear opening (egress) information does not take into consideration the addition of a Rolscreen (or any other accessory) to the product. You should consult your local building code to ensure products with Rolcreens meet egress requirements.

Side pivot hardware reduces Performance class to 'R'.

Egress information shown is for standard operators only, for Push-Out Casement egress information see the Design Data pages.

Egress information shown is for International Residential Code (IRC) standards only, see Design Data page for Uniform Dwelling Code (UDC) information.

Not to scale.

F = Fixed only

T = Tempered glass due to aspect ratio.

Traditional grille patterns shown.

Rough Opening Dimensions

Clad exterior units: Dimensions shown in tables are rough opening dimensions.

Wood exterior units: Use frame dimension plus dimensions below. This dimension includes the use of standard 1-1/8" wood sub sill.

Frame	Rough		Masonry	
	Width	Height	Width	Height
Brickmould				
STD	+ 3/4"	+1-7/8"	+ 3-1/8"	+ 3-1/8"
3-1/2"	+ 3/4"	+1-7/8"	+ 6-3/8"	+ 4-3/4"

For clad and wood units with impact-resistant glass, see the product installation instructions or refer to local building code requirements.



Pella® Reserve™ Traditional Casement Window

Size Tables

Fixed Units

	(1 060) (1 041)	(1 213) (1 194)	(1 365) (1 346)	(1 518) (1 499)
Opening	3' 5 3/4"	3' 11 3/4"	4' 5 3/4"	4' 11 3/4"
Frame	3' 5"	3' 11"	4' 5"	4' 11"
(908) (889)				
(1 060) (1 041)				
(1 213) (1 194)				
(1 365) (1 346)				
(1 518) (1 499)				
(1 670) (1 651)				
(1 822) (1 803)				
(1 873) (1 854)				

Rough Opening Dimensions

Clad exterior units: Dimensions shown in tables are rough opening dimensions.

Wood exterior units: Use frame dimension plus dimensions below. This dimension includes the use of standard 1-1/8" wood subsill.

Frame	Rough		Masonry	
	Width	Height	Width	Height
Brickmould				
STD	+ 3/4"	+1-7/8"	+ 3-1/8"	+ 3-1/8"
3-1/2"	+ 3/4"	+1-7/8"	+ 6-3/8"	+ 4-3/4"

For clad and wood units with impact-resistant glass, see the product installation instructions or refer to local building code requirements.

Not to scale.
Traditional grille patterns shown.



Pella® Reserve™ Traditional Casement Window

Special Sizes and Dimensions

Casement Special Size Frame Dimensions

	Minimum	Maximum
Vent	1'1-3/4" W x 1'1-3/4" H (13.75" x 13.75") (349 x 349)	3'11" W x 9'0" H (47" x 108") (1194 x 2743)
	Frame width cannot exceed frame height on vent sizes. Max frame area 19.5 sq ft.	
Fixed	10" W x 10" H (254 x 254)	12'0" W x 12'0" H (144" x 144") (3658 x 3658)
	Max frame area 66.25 Sq ft. Max Glass Area 60 Sq ft. Maximum Glass weight is 400 Pounds	

Available within size range shown. Standard Performance Option only.
Keep frame dimensions to the nearest 1/8" increment.
See the Curved, Angled and Rectangular shapes pages or contact your Pella representative for the availability of custom sizes smaller or larger than the parameters.

Glass Formulas

Visible Glass	Width = Frame - 5-3/4" Height = Frame - 5-3/4"
Actual Glass	Width = Frame - 4-3/8" Height = Frame - 4-3/8"
Glass Weight	Actual Glass Width x Actual Glass Height x Actual Glass Thickness ÷ 11

Glazing weight in pounds, all Glass Width (W), Height (H) and Thickness are in inches.

Egress Formulas

Clear Opening Height		
Frame Height - 4-1/8"		
Clear Opening Width		
Hinge	Frame Width	Formula
Standard	FW < 29"	FW - 9-3/4"
Standard (IRC)	FW ≥ 29" and ≤ 30-1/2"	FW - 9"
Standard (IRC)	FW > 30-1/2"	FW - 9-3/4"
Standard (UDC)	All Frame widths ≤ 35"	FW - 9-3/4"
Side Pivot (IRC)	FW ≥ 25" and ≤ 35"	FW - 4-3/8"

For units with FW > 35" reference Restricted Opening chart.

Restricted Opening	
Frame Width	Approximate Sash Opening Angle
>35	28 degrees
36	26 degrees
37	25 degrees
38	24 degrees
39	23 degrees
40	22 degrees
41	21 degrees

Sash opening will be limited to the angle shown.

Units over 35 inches wide do NOT meet Egress.

International Residential Code (IRC)

Sash position for clear opening on 29" units.

Uniform Dwelling Code (UDC)

Sash position for clear opening on 29" units.

w/ standard hardware

w/ side pivot hardware

Check all applicable local codes for emergency egress requirements.

Shaded portion shows vent area with window open 90° using standard hardware.

VENT AREA

Side Pivot Clear Opening formulas (IRC)				
Hinge	Frame Width	Frame Height	Clear Opening Width Formula	
			Clad Exterior	Wood Exterior
STD	17" to ≤ 29"	17" to ≤ 73"	Unit Width - 4.375	Unit Width - 4.375
	> 29" to ≤ 35"	29" to < 47"	Unit Width - 4.375	Unit Width - 4.375
Heavy Duty*	13.75" to < 17"	13.75" to ≤ 96"	(Unit Width x 0.8) - 2.95	(Unit Width x 0.892) - 4.219
	17" to < 19"	13.75" to ≤ 96"	(Unit Width x 0.9) - 4.65	(Unit Width x 0.9) - 4.35
	19" to < 25"	13.75" to ≤ 96"	(Unit Width x 0.883) - 4.433	(Unit Width x 0.883) - 4.133
	25" to 29"	13.75" to ≤ 96"	Unit Width - 5.55	Unit Width - 5.55
	> 29" to ≤ 35"	13.75" to ≤ 96"	(Unit Width x 0.9) - 4.15	(Unit Width x 0.917) - 4.533

Clear opening height = unit height - 4.125"

* All units with Impact glass or standard IG glass weighing 56 lbs. or more require heavy duty hinges.

NOTE: Performance Class and Grade for a Casement with additional options and Specialty windows may not be the same as Standard and Special size units. Please contact your local Pella representative for complete information.

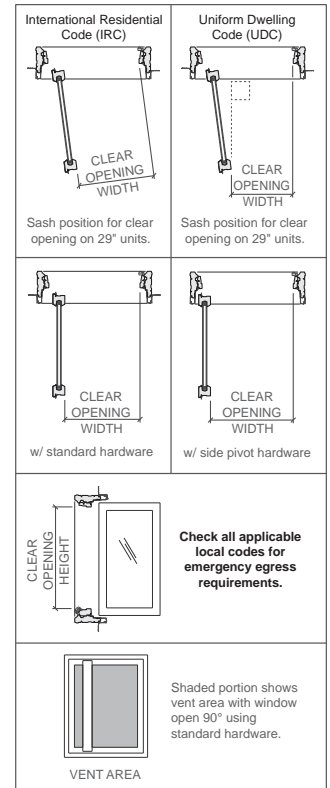


Pella® Reserve™ Traditional Casement Window

Design Data

Vent and Fixed, Wood and Aluminum-Clad Exteriors

Unit	Egress (IRC)		Egress (UDC)		Clear Opening (IRC)			Vent Area Ft ²	Visible Glass Ft ²	Standard Glass Thickness (mm)				Performance Class & Grade ¹	
	without Rolscreen	with Rolscreen	without Rolscreen	with Rolscreen	Width (Inches)	Height (Inches)	Tt ²			Dual-Pane Glazing		Triple-Pane Glazing		Clad Exterior	Wood Exterior ²
										Annealed	Tempered	Annealed or Tempered	Tempered		
1732					7-1/4	27-7/8	1.4	2.0	2.1	2.5	3	3	CW50	LC50	
1735					7-1/4	30-7/8	1.6	2.3	2.3	2.5	3	3	CW50	LC50	
1741					7-1/4	36-7/8	1.9	2.8	2.8	2.5	3	3	CW50	LC50	
1747					7-1/4	42-7/8	2.2	3.2	3.2	2.5	3	3	CW50	LC50	
1753					7-1/4	48-7/8	2.5	3.7	3.7	2.5	3	3	CW50	LC50	
1759					7-1/4	54-7/8	2.8	4.2	4.2	2.5	3	3	CW50	LC50	
1765					7-1/4	60-7/8	3.1	4.7	4.6	2.5	3	3	CW50	LC50	
1771T					7-1/4	66-7/8	3.4	5.2	5.1	—	3	3	CW50	LC50	
1773T					7-1/4	68-7/8	3.5	5.3	5.3	—	3	3	CW50	LC50	
2132					11-1/4	27-7/8	2.2	2.7	2.8	2.5	3	3	CW50	LC50	
2135					11-1/4	30-7/8	2.4	3.1	3.1	2.5	3	3	CW50	LC50	
2141					11-1/4	36-7/8	2.9	3.7	3.7	2.5	3	3	CW50	LC50	
2147					11-1/4	42-7/8	3.3	4.4	4.4	2.5	3	3	CW50	LC50	
2153					11-1/4	48-7/8	3.8	5.0	5.0	2.5	3	3	CW50	LC50	
2159					11-1/4	54-7/8	4.3	5.7	5.6	2.5	3	3	CW50	LC50	
2165					11-1/4	60-7/8	4.8	6.3	6.3	2.5	3	3	CW45/CW50	LC45/LC50	
2171					11-1/4	66-7/8	5.2	7.0	6.9	2.5	3	3	CW45/CW50	LC45/LC50	
2173					11-1/4	68-7/8	5.4	7.2	7.1	2.5	3	3	CW40/CW50	LC40/LC50	
2332					13-1/4	27-7/8	2.6	3.1	3.1	2.5	3	3	CW50	LC50	
2335					13-1/4	30-7/8	2.8	3.4	3.5	2.5	3	3	CW50	LC50	
2341					13-1/4	36-7/8	3.4	4.2	4.2	2.5	3	3	CW50	LC50	
2347					13-1/4	42-7/8	3.9	4.9	4.9	2.5	3	3	CW50	LC50	
2353					13-1/4	48-7/8	4.5	5.6	5.7	2.5	3	3	CW50	LC50	
2359					13-1/4	54-7/8	5.0	6.4	6.4	2.5	3	3	CW45/CW50	LC45/LC50	
2365					13-1/4	60-7/8	5.6	7.1	7.1	2.5	3	3	CW40/CW50	LC40/LC50	
2371					13-1/4	66-7/8	6.2	7.9	7.8	2.5	3	3	CW35/CW50	LC35/LC50	
2373					13-1/4	68-7/8	6.3	8.1	8.1	2.5	3	3	CW35/CW50	LC35/LC50	
2532					15-1/4	27-7/8	3.0	3.4	3.5	2.5	3	3	CW50	LC50	
2535					15-1/4	30-7/8	3.3	3.8	3.9	2.5	3	3	CW50	LC50	
2541	E ₃		E ₃		20-5/8	36-7/8	5.3	4.6	4.7	2.5	3	3	CW50	LC50	
2547	E ₂		E ₂		20-5/8	42-7/8	6.1	5.5	5.5	2.5	3	3	CW50	LC50	
2553	E ₂		E ₂		20-5/8	48-7/8	7.0	6.3	6.3	2.5	3	3	CW50	LC50	
2559	E ₂		E ₂		20-5/8	54-7/8	7.9	7.1	7.1	2.5	3	3	CW45/CW50	LC45/LC50	
2565	E ₂		E ₂		20-5/8	60-7/8	8.7	7.9	7.9	2.5	3	3	CW40/CW50	LC40/LC50	
2571	E ₂		E ₂		20-5/8	66-7/8	9.6	8.7	8.7	2.5	3	3	CW35/CW50	LC35/LC50	
2573	E ₂		E ₂		20-5/8	68-7/8	9.9	9.0	9.0	2.5	3	3	CW30/CW50	LC30/LC50	
2932					24-5/8	27-7/8	4.8	4.1	4.2	2.5	3	3	CW50	LC50	
2935	E ₃		E ₃		24-5/8	30-7/8	5.3	4.6	4.7	2.5	3	3	CW50	LC50	
2941	E ₁ , E ₂	E ₂	E ₂	E ₂	24-5/8	36-7/8	6.3	5.6	5.7	2.5	3	3	CW50	LC50	
2947	E	E ₂	E ₂	E ₂	20	42-7/8	6.0	6.6	6.7	2.5	3	3	CW50	LC50	
2953	E	E ₂	E ₂	E ₂	20	48-7/8	6.8	7.6	7.6	2.5	3	3	CW50	LC50	
2959	E	E ₂	E ₂	E ₂	20	54-7/8	7.6	8.6	8.6	2.5	3	3	CW45/CW50	LC45/LC50	
2965	E	E ₂	E ₂	E ₂	20	60-7/8	8.5	9.5	9.6	2.5	3	3	CW40/CW50	LC40/LC50	
2971	E	E ₂	E ₂	E ₂	20	66-7/8	9.3	10.5	10.5	3	3	3	CW45/CW50	LC45/LC50	
2973	E	E ₂	E ₂	E ₂	20	68-7/8	9.6	10.9	10.9	3	3	3	CW45/CW50	LC45/LC50	
3232	E ₃		E ₃		27-5/8	27-7/8	5.3	4.6	4.8	2.5	3	3	CW50	LC50	
3235	E ₂	E ₃	E ₂	E ₃	27-5/8	30-7/8	5.9	5.2	5.3	2.5	3	3	CW50	LC50	
3241	E ₁ , E ₂	E ₁ , E ₂	E ₁ , E ₂	E ₁ , E ₂	27-5/8	36-7/8	7.1	6.3	6.4	2.5	3	3	CW50	LC50	
3247	E	E	E	E	22-1/4	42-7/8	6.6	7.4	7.5	2.5	3	3	CW50	LC50	
3253	E	E	E	E	22-1/4	48-7/8	7.6	8.5	8.6	2.5	3	3	CW50	LC50	
3259	E	E	E	E	22-1/4	54-7/8	8.5	9.6	9.7	2.5	3	3	CW45/CW50	LC45/LC50	
3265	E	E	E	E	22-1/4	60-7/8	9.4	10.7	10.8	3	3	3	CW50	LC50	
3271	E	E	E	E	22-1/4	66-7/8	10.3	11.9	11.9	3	3	3	CW45/CW50	LC45/LC50	
3273	E	E	E	E	22-1/4	68-7/8	10.6	12.2	12.3	3	3	3	CW45/CW50	LC45/LC50	
3532F					—	—	—	—	5.3	2.5	3	3	CW50	LC50	
3535	E ₁ , E ₂	E ₂	E ₁ , E ₂	E ₂	25-1/4	30-7/8	5.4	5.8	5.9	2.5	3	3	CW50	LC50	
3541	E	E	E	E	25-1/4	36-7/8	6.5	7.0	7.2	2.5	3	3	CW50	LC50	
3547	E	E	E	E	25-1/4	42-7/8	7.5	8.3	8.4	2.5	3	3	CW50	LC50	
3553	E	E	E	E	25-1/4	48-7/8	8.6	9.5	9.6	2.5	3	3	CW45/CW50	LC45/LC50	
3559	E	E	E	E	25-1/4	54-7/8	9.6	10.7	10.8	3	3	3	CW50	LC50	
3565	E	E	E	E	25-1/4	60-7/8	10.7	12.0	12.0	3	3	3	CW50	LC50	
3571	E	E	E	E	25-1/4	66-7/8	11.7	13.2	13.3	3	3	3	CW45/CW50	LC45/LC50	
3573	E	E	E	E	25-1/4	68-7/8	12.1	13.6	13.7	3	3	3	CW45/CW50	LC45/LC50	



Egress Notes for Standard Crank-Out Casement:

Check all applicable local codes for emergency egress requirements.

- E = Window meets minimum clear opening of 24" height, 20" width, and 5.7 ft².
- E1 = Window meets minimum clear opening of 24" height, 20" width, and 5.0 ft².
- E2 = With optional side pivot hardware, window meets minimum clear opening of 24" height, 20" width, and 5.7 ft².
- E3 = With optional side pivot hardware, window meets minimum clear opening of 24" height, 20" width, and 5.0 ft².

Clear opening (egress) information does not take into consideration the addition of a Rolscreen (or any other accessory) to the product. You should consult your local building code to ensure products with Rolscreens meet egress requirements.

Side pivot hardware reduces Performance class to 'R'.

Egress information shown is for standard crank-out operators only, it does not include Push-Out Casements.

(-) = Not Applicable

F = Fixed only

T = Tempered required due to aspect ratio.

(1) Maximum performance when glazed with the appropriate glass thickness and using standard hinge hardware. Second value, where shown, requires tempered glass.

To convert area to square meters (m²), multiply square feet by 0.0929.

(2) Wood exterior casements with side-pivot hardware are not Hallmark Certified.



Pella® Reserve™ Traditional Casement Window

Design Data

Fixed, Wood and Aluminum-Clad Exteriors									
Unit	Visible Glass Ft ²	Standard Glass Thickness (mm)				Performance Class & Grade ¹			
		Dual-Pane Glazing		Triple-Pane Glazing					
		Annealed	Tempered	Annealed	Tempered	Clad Exterior	Wood Exterior		
4135	7.2	2.5	3	3	3	CW50	LC50		
4141	8.6	2.5	3	3	3	CW50	LC50		
4147	10.1	3	3	3	3	CW50	LC50		
4153	11.6	3	3	3	3	CW50	LC50		
4159	13.0	3	3	3	3	CW50	LC50		
4165	14.5	3	3	3	3	CW50	LC50		
4171	16.0	3	3	3	3	CW45/CW50	LC45/LC50		
4173	16.5	3	3	3	3	CW45/CW50	LC45/LC50		
4735	8.4	2.5	3	3	3	CW50	LC50		
4741	10.1	3	3	3	3	CW50	LC50		
4747	11.8	3	3	3	3	CW50	LC50		
4753	13.5	3	3	3	3	CW50	LC50		
4759	15.3	3	3	3	3	CW50	LC50		
4765	17.0	3	3	3	3	CW45/CW50	LC45/LC50		
4771	18.7	4	4	4	4	CW50	LC50		
4773	19.3	4	4	4	4	CW50	LC50		
5335	9.6	2.5	3	3	3	CW45/CW50	LC45/LC50		
5341	11.6	3	3	3	3	CW50	LC50		
5347	13.5	3	3	3	3	CW50	LC50		
5353	15.5	3	4	3	4	CW45/CW50	LC45/LC50		
5359	17.5	3	4	3	4	CW40/CW50	LC40/LC50		
5365	19.4	4	4	4	4	CW50	LC50		
5371	21.4	4	4	4	4	CW50	LC50		
5373	22.1	4	4	4	4	CW50	LC50		
5935	10.8	3	3	3	3	CW50	LC50		
5941	13.0	3	3	3	3	CW50	LC50		
5947	15.3	3	3	3	3	CW50	LC50		
5953	17.5	3	4	3	4	CW40/CW50	LC40/LC50		
5959	19.7	4	4	4	4	CW50	LC50		
5965	21.9	4	4	4	4	CW50	LC50		
5971	24.1	4	4	4	4	CW45/CW50	LC45/LC50		
5973	24.9	4	4	4	4	CW45/CW50	LC45/LC50		

Transoms											
Unit	Clear Opening (Inches)				Visible Glass Ft ²	Standard Glass Thickness (mm)				Performance Class & Grade ¹	
	Width	Height	Ft ²	Vent Area Ft ²		Dual-Pane Glazing		Triple- Pane Glazing			
						Annealed	Tempered	Annealed or Tempered	Clad Exterior	Wood Exterior	
1714F	--	--	--	--	0.6	2.5	3	3	CW50	LC50	
1717	7-1/4	12-7/8	0.6	0.8	0.9	2.5	3	3	CW50	LC50	
1725F	--	--	--	--	1.5	2.5	3	3	CW50	LC50	
2114F	--	--	--	--	0.9	2.5	3	3	CW50	LC50	
2117F	--	--	--	--	1.2	2.5	3	3	CW50	LC50	
2121	11-1/4	16-7/8	1.3	1.5	1.6	2.5	3	3	CW50	LC50	
2125F	--	--	--	--	2.0	2.5	3	3	CW50	LC50	
2314F	--	--	--	--	1.0	2.5	3	3	CW50	LC50	
2317F	--	--	--	--	1.3	2.5	3	3	CW50	LC50	
2323	13-1/4	18-7/8	1.7	2.0	2.1	2.5	3	3	CW50	LC50	
2325F	--	--	--	--	2.3	2.5	3	3	CW50	LC50	
2514F	--	--	--	--	1.1	2.5	3	3	CW50	LC50	
2517F	--	--	--	--	1.5	2.5	3	3	CW50	LC50	
2525	15-1/4	20-7/8	2.2	2.5	2.6	2.5	3	3	CW50	LC50	
2914F	--	--	--	--	1.3	2.5	3	3	CW50	LC50	
2917F	--	--	--	--	1.8	2.5	3	3	CW50	LC50	
2925F	--	--	--	--	3.1	2.5	3	3	CW50	LC50	
2929	20	24-7/8	3.5	3.6	3.8	2.5	3	3	CW50	LC50	
3214F	--	--	--	--	1.5	2.5	3	3	CW50	LC50	
3217F	--	--	--	--	2.1	2.5	3	3	CW50	LC50	
3225F	--	--	--	--	3.5	2.5	3	3	CW50	LC50	
3514F	--	--	--	--	1.7	2.5	3	3	CW50	LC50	
3517F	--	--	--	--	2.3	2.5	3	3	CW50	LC50	
3525F	--	--	--	--	3.9	2.5	3	3	CW50	LC50	

(-) = Not Applicable

F = Fixed only

(1) Maximum performance when glazed with the appropriate glass thickness. Second value, where shown, requires tempered glass.

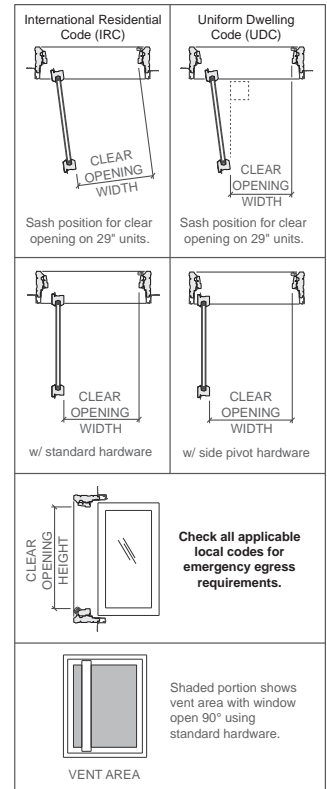
To convert area to square meters (m²), multiply square feet by 0.0929.



Pella® Reserve™ Traditional Casement Window

Design Data

Push-Out Casement											
Unit	Egress (IRC)	Egress (UDC)	Clear-Opening (IRC)				Vent Area Ft²	Visible Glass Ft²	Frame Area Ft²	Performance Class & Grade ⁽¹⁾	
			Width (Inches)	Height (Inches)	Ft²	Sash Angle (Degrees)					
1735			10-13/16	31-1/4	2.3	70	17-1/8	1.5	1.6	4.1	R30
1741			10-13/16	37-1/4	2.8	70	17-1/8	1.8	2.0	4.8	R30
1747			10-13/16	43-1/4	3.2	70	17-1/8	2.1	2.3	5.5	R30
1753			10-13/16	49-1/4	3.7	70	17-1/8	2.5	2.7	6.3	R30
1759			10-13/16	55-1/4	4.1	70	17-1/8	2.8	3.0	7.0	R30
1765			10-13/16	61-1/4	4.6	70	17-1/8	3.1	3.4	7.7	R30
1771			10-13/16	67-1/4	5.0	70	17-1/8	3.4	3.8	8.4	R30
2135			14-1/2	31-1/4	3.1	70	20-7/8	2.3	2.3	5.1	R30
2141			14-1/2	37-1/4	3.7	70	20-7/8	2.7	2.9	6.0	R30
2147			14-1/2	43-1/4	4.3	70	20-7/8	3.2	3.4	6.9	R30
2153			14-1/2	49-1/4	4.9	70	20-7/8	3.7	3.9	7.7	R30
2159			14-1/2	55-1/4	5.5	70	20-7/8	4.2	4.5	8.6	R30
2165			14-1/2	61-1/4	6.1	70	20-7/8	4.7	5.0	9.5	R30
2171			14-1/2	67-1/4	6.7	70	20-7/8	5.2	5.5	10.4	R30
2335			16-3/8	31-1/4	3.5	70	22-13/16	2.6	2.7	5.6	R30
2341			16-3/8	37-1/4	4.2	70	22-13/16	3.2	3.3	6.5	R30
2347			16-3/8	43-1/4	4.9	70	22-13/16	3.8	3.9	7.5	R30
2353			16-3/8	49-1/4	5.6	70	22-13/16	4.4	4.5	8.5	R30
2359			16-3/8	55-1/4	6.2	70	22-13/16	4.9	5.2	9.4	R30
2365			16-3/8	61-1/4	6.9	70	22-13/16	5.5	5.8	10.4	R30
2371			16-3/8	67-1/4	7.6	70	22-13/16	6.1	6.4	11.3	R30
2535			18-5/16	31-1/4	3.9	70	24-9/16	3.0	3.1	6.1	R30
2541			18-5/16	37-1/4	4.7	70	24-9/16	3.7	3.8	7.1	R30
2547			18-5/16	43-1/4	5.4	70	24-9/16	4.3	4.5	8.2	R30
2553			18-5/16	49-1/4	6.2	70	24-9/16	5.0	5.2	9.2	R30
2559			18-5/16	55-1/4	7.0	70	24-9/16	5.6	5.9	10.2	R30
2565			18-5/16	61-1/4	7.7	70	24-9/16	6.3	6.6	11.3	R30
2571			18-5/16	67-1/4	8.5	70	24-9/16	7.0	7.3	12.3	R30
2935			21-7/8	31-1/4	4.7	70	28-3/8	3.8	3.8	7.0	R30
2941	E1		21-7/8	37-1/4	5.6	70	28-3/8	4.6	4.7	8.3	R30
2947	E		21-7/8	43-1/4	6.5	70	28-3/8	5.4	5.5	9.5	R30
2953	E		21-7/8	49-1/4	7.4	70	28-3/8	6.3	6.4	10.7	R30
2959	E		21-7/8	55-1/4	8.3	70	28-3/8	7.1	7.3	11.9	R30
2965	E		21-7/8	61-1/4	9.3	70	28-3/8	7.9	8.1	13.1	R30
2971	E		21-7/8	67-1/4	10.2	70	28-3/8	8.7	9.0	14.3	R30
3535			21	31-1/4	4.5	49	27-11/16	4.9	4.9	8.5	R30
3541	E1		21	37-1/4	5.4	49	27-11/16	6.0	6.0	10.0	R30
3547	E		21	43-1/4	6.3	49	27-11/16	7.1	7.2	11.4	R30
3553	E		21	49-1/4	7.1	49	27-11/16	8.2	8.3	12.9	R30
3559	E		21	55-1/4	8.0	49	27-11/16	9.2	9.4	14.3	R30
3565	E		21	61-1/4	8.9	49	27-11/16	10.3	10.5	15.8	R30
3571	E		21	67-1/4	9.8	49	27-11/16	11.4	11.6	17.3	R30



Push-Out Casement Egress Notes:

Check all applicable local codes for emergency egress requirements.

E = Window meets minimum clear opening of 24" height, 20" width, and 5.7 ft².

E1 = Window meets minimum clear opening of 24" height, 20" width, and 5.0 ft².

Clear opening (egress) information does not take into consideration the addition of any other accessory to the product. Consult your local building code to ensure products meet egress requirements.

(1) Maximum performance when glazed with the appropriate glass thickness. Refer to the Product Performance section for more information.

To convert area to square meters (m²), multiply square feet by 0.0929.



Pella® Reserve™ Traditional Casement Window

Detailed Product Description - Aluminum-Clad Exterior

Frame

- Select softwood, immersion treated with Pella's EnduraGuard® wood protection formula in accordance with WDMA I.S.-4. The EnduraGuard formula includes three active ingredients for protection against the effects of moisture, decay, stains from mold and mildew. Plus, an additional ingredient adds protection against termite damage.
- Interior exposed surfaces are [clear pine] [mahogany] [douglas fir]. Any curved member may have visible finger-jointed surfaces.
- Exterior surfaces are clad with aluminum.
- Components are assembled with screws, staples and concealed corner locks
- Overall frame depth is 5" (127mm) for a wall depth of 3-11/16" (94mm).
- Optional factory-applied jamb extensions available between 3-13/16" (97mm) and 9-3/16" (233mm).
- Optional factory-installed fold-out installation fins with flexible fin corners.
- Optional factory-applied EnduraClad® exterior trim.
- Optional factory-installed Pella Steady Set Installation System (rectangle only).

Sash

- Select softwood, immersion treated with Pella's EnduraGuard® wood protection formula in accordance with WDMA I.S.-4. The EnduraGuard formula includes three active ingredients for protection against the effects of moisture, decay, stains from mold and mildew. Plus, an additional ingredient adds protection against termite damage.
- Interior exposed surfaces are [clear pine] [mahogany] [douglas fir]. Any curved member may have visible finger-jointed surfaces.
- Exterior surfaces are clad with extruded aluminum butt-jointed at all corners of the sash with through-stile construction and sealed.
- Corners mortised and tenoned, glued and secured with metal fasteners.
- Sash thickness is [1-13/16" (46mm) for 11/16" [2-1/8" (54mm) for 1" glazing.
- Sash exterior profile is [ogee] [putty glaze], interior profile is ogee.

Weatherstripping

- Dual weatherstripping.
 - Flexible santoprene material compressed between frame and sash for positive seal on all four sides.
 - Secondary thermoplastic vulcanizate (TPV) leaf-type weatherstrip between edge of sash and frame on the vertical sides and bottom, and Santoprene® bulb-type weatherstrip on the top.

Glazing System¹

- Quality float glass complying with ASTM C 1036.
- Silicone-glazed dual-pane 11/16" dual-seal insulating glass [[annealed] [tempered]], [[clear] [[Advanced] [SunDefense™] [SunDefense+] [NaturalSun] [NaturalSun+] [AdvancedComfort] Low-E [with argon]] [[bronze] [gray] [green] Advanced Low-E [with Argon]] [obscure] [Reflective Bronze] [Reflective Gray]].
 - or –
- Silicone-glazed dual-pane 1" dual-seal tempered spandrel glass [Lava Bronze Amber] [Black] [Ford Blue] [Symmetry Bronze] [Symmetry Gray] [Symmetry Green].
 - or –
- Silicone-glazed dual-pane 11/16" dual-seal [[annealed] [tempered]] non-impact laminated glass [[clear] [[Advanced] [SunDefense] Low-E [with Argon]] [[bronze] [gray] [green] Advanced Low-E [with argon]].
 - or –
- Silicone-glazed 1" triple-seal insulating glass [[annealed] [tempered]] [[Advanced Low-E] [SunDefense™] [NaturalSun] Low-E [with argon]].
 - or –
- Impact-Resistant
 - Silicone-glazed 1" dual-seal impact-resistant insulating glass₁ SGP. [[tempered] [annealed]] exterior light is [[Advanced] [SunDefense] Low-E with argon] [clear] [bronze] [gray] [green]]. Laminated clear interior light.
 - or –
 - Silicone-glazed 11/16" dual-seal impact-resistant insulating glass₁ [PVB]. [[tempered] [annealed]] exterior light is [[Advanced Low-E with argon] [clear]]. Laminated [clear] interior light, or [[tempered] [annealed]] exterior light is [[Advanced] [SunDefense] Low-E with argon] [clear]]. Laminated [[bronze] [gray] [green]] interior light.

(1) Low-E coated insulating glass is argon-filled (except high altitude). All other insulating glass (including high altitude Low-E) is air-filled.

(2) Contact your local Pella sales representative for current designs and color options.

(3) Available in clear or Low-E insulating glass with argon, and obscure insulated glass.

(4) Tan, Brown and Putty Interior GBG colors are available in single-tone (Brown/Brown, Tan/Tan or Putty/Putty). Other interior colors are also available with tan or brown exterior.

(5) Appearance of exterior grille color will vary depending on Low-E coating on glass.

(6) Vivid View screen is not available when frame height is > 84" or when both frame width and frame height are > 48".

Exterior

- Aluminum clad exteriors shall be finished with EnduraClad® protective finish, in a multi-step, baked-on finish.
 - Color is [standard] [feature] [custom]₂.
 - or –
- Aluminum clad exteriors shall be finished with EnduraClad Plus protective finish with 70% fluoropolymer resin in a multi-step, baked-on finish
 - Color is [standard] [feature] [custom]₂.

Interior

- [Unfinished, ready for site finishing] [factory primed with one coat acrylic latex] [factory prefinished [paint] [stain] ₂].

Hardware

- Roto operator assembly
 - Steel worm gear sash operator with hardened gears.
 - Operator base is zinc die cast with painted finish.
 - Operator linkage, hinge slide, and hinge arms are stainless steel.
 - Exposed fasteners are stainless steel.
 - Hardware shall exceed 1,000 hours salt spray exposure per ASTM B 117.
- All vent units are available with left- or right-hand hinging.
- SureLock® System—A single handle locking system operates positive-acting arms that reach out and pull the sash into a locked position: one operating lock installed on units with frame height 29" and less, two unison operating locks installed on units with frame height over 29".
- Style of hardware is [Standard integrated fold-away crank and standard lock handle with [baked enamel] [Champagne] [White] [Brown] [Matte Black]] [Satin Brass] [Satin Nickel] [Oil-Rubbed Bronze] hardware finish].
 - or –
 - [Antiek fold-away crank and Antiek lock handle with [baked enamel] [Champagne] [White] [Brown] [Matte Black]] [Satin Brass] [Satin Nickel] [Oil-Rubbed Bronze] [distressed bronze] [distressed nickel] hardware finish].

Optional Products

Grilles

- Integral Light Technology® grilles
 - Interior grilles are [5/8" [7/8" [1-1/4" [2" ogee profile that are solid [pine] [mahogany] [douglas fir]. Interior surfaces are [unfinished, ready for site finishing] [factory primed] [pine: factory prefinished [paint] [stain] ₂].
 - Exterior grilles are [5/8" putty profile] [7/8" [putty] [ogee] profile] [1-1/4" [putty] [ogee] profile] [2" ogee profile] that are extruded aluminum.
 - Patterns are [Traditional] [Prairie] [Top Row] [Cross] [New England] [Victorian] [Simulated French].
 - Insulating glass contains non-glare spacer between the panes of glass.
 - Grilles are adhered to both sides of the insulating glass with VHB acrylic adhesive tape and aligned with the non-glare spacer.
 - or –
- Grilles-Between-the-Glass₃
 - Insulating glass contains 3/4" contoured aluminum grilles permanently installed between two panes of glass (exterior air-space on triple-pane insulating glass).
 - Patterns are [Traditional] [Prairie] [Cross] [Top Row].
 - Interior color is [White] [Tan₄] [Brown₄] [Putty₄] [Black] [Ivory] [Harvest] [Cordovan] [Brickstone].
 - Exterior color₅ is [standard] [feature]₂.

Screens

- InView™ Screens
 - Vinyl-coated 18/18 mesh fiberglass screen cloth complying with the performance requirements of SMA 1201, set in aluminum frame fitted to inside of window, supplied complete with all necessary hardware.
 - Screen frame finish is [baked enamel] [Champagne] [White] [Brown] [Black]].
 - or –
- Rolscreen® Retractable Screen (for rectangular units only)
 - InView™ Screen cloth, self-storing, rolling, black vinyl-coated 18/18 mesh fiberglass screen cloth complying with ASTM D 3656 and the performance requirements of SMA 1201 mounted behind overhead cover.
 - Cover finish is [factory prefinished paint] [[pine] [mahogany] [douglas fir] veneer wrapped over extruded aluminum with factory prefinished [stain] [paint]₂].
 - Guides are aluminum extrusion with [[pine] [mahogany] [douglas fir] veneer wrapped over extruded aluminum with factory prefinished [stain] [paint]₂].

Hardware

- Optional factory applied limited opening hardware available for vent units in stainless steel; nominal 3" opening.
- Optional factory applied window opening control device. Device allows window to open less than 4" with normal operation, with a release mechanism that allows the sash to open completely. Complies with ASTM F2090-17.

Sensors

- Optional factory installed integrated security sensors available in vent units.



Detailed Product Description - Wood Exterior

Frame

- Select softwood, immersion treated with Pella's EnduraGuard® wood protection formula in accordance with WDMA I.S.-4. The EnduraGuard formula includes three active ingredients for protection against the effects of moisture, decay, stains from mold and mildew. Plus, an additional ingredient adds protection against termite damage.
- Interior exposed surfaces are [clear pine] [mahogany]. Any curved member may have visible finger-jointed surfaces.
- Exterior surfaces are [pine: factory-primed] [mahogany: [factory-primed] [ready-to-stain]].
- Overall frame depth is 4-3/8" (111mm) for a wall depth of 4-3/16" (106mm).
- Optional factory-applied jamb extensions available between 3-13/16" (97mm) and 9-3/16" (233mm).

Sash

- Select softwood, immersion treated with Pella's EnduraGuard® wood protection formula in accordance with WDMA I.S.-4. The EnduraGuard formula includes three active ingredients for protection against the effects of moisture, decay, stains from mold and mildew. Plus, an additional ingredient adds protection against termite damage.
- Interior exposed surfaces are [clear pine] [mahogany]. Any curved member may have visible finger-jointed surfaces.
- Exterior Surfaces are [pine: factory-primed] [mahogany [factory-primed] [ready-to-stain]]. Any curved member may have visible finger-jointed surfaces.
- Corners mortised and tenoned, glued and secured with metal fasteners.
- Sash thickness is [1-13/16" (46mm) for 11/16" [2-1/8" (54mm) for 1" glazing.
- Sash exterior profile is putty glaze, interior profile is ogee.

Weatherstripping

- Dual weatherstripping.
 - Flexible santoprene material compressed between frame and sash for positive seal on all four sides.
 - Secondary thermoplastic vulcanizate (TPV) leaf-type weatherstrip between edge of sash and frame.

Glazing System 1

- Quality float glass complying with ASTM C 1036.
- Custom and high altitude [with argon] glazing available for 11/16" glazing only.
- Silicone-glazed 11/16" dual-seal insulating glass [[annealed] [tempered]] [[clear] [[Advanced] [SunDefense™] [SunDefense+] [NaturalSun] [NaturalSun+] [AdvancedComfort] Low-E [with argon]] [[bronze] [gray] [green] Advanced Low-E with argon]].
– or –
- Silicone-glazed 1" triple-pane, dual-seal insulating glass [[annealed] [tempered]] [[Advanced] [SunDefense™] [NaturalSun] Low-E [with argon]].

Interior

- [Unfinished, ready for site finishing] [factory primed with one coat acrylic latex] [Pine: Factory prefinished [paint] [stain]₂].

Hardware

- Roto operator assembly
 - Steel worm gear sash operator with hardened gears.
 - Operator base is zinc die cast with painted finish.
 - Operator linkage, hinge slide, and hinge arms are stainless steel.
 - Exposed fasteners are stainless steel.
 - Hardware shall exceed 1,000 hours salt spray exposure per ASTM B 117.
- All vent units are available with left- or right-hand hinging.
- SureLock® System—A single handle locking system operates positive-acting arms that reach out and pull the sash into a locked position: one operating lock installed on units with frame height 29" and less, two unison operating locks installed on units with frame height over 29".
- Style of hardware is [Standard integrated fold-away crank and standard lock handle with [baked enamel [Champagne] [White] [Brown] [Matte Black]] [Satin Brass] [Satin Nickel] [Oil-Rubbed Bronze] hardware finish].
– or –
- [Antiek fold-away crank and Antiek lock handle with [baked enamel [Champagne] [White] [Brown] [Matte Black]] [Satin Brass] [Satin Nickel] [Oil-Rubbed Bronze] [distressed bronze] [distressed nickel] hardware finish].

Optional Products

Grilles

- Integral Light Technology® grilles
 - Interior grilles are solid [5/8"] [7/8"] [1-1/4"] ogee profile that are solid [pine] [mahogany]. Interior surfaces are [unfinished, ready for site finishing] [factory primed] [pine: factory prefinished [paint] [stain]₂].
 - Exterior grilles are solid [5/8"] [7/8"] [1-1/4"] putty profile that are [pine] [mahogany]. Exterior surfaces are water repellent, preservative-treated in accordance with WDMA I.S.-4, and are [unfinished, ready for site finishing] [factory primed].
 - Patterns are [Traditional] [Prairie] [Top Row] [Cross] [New England] [Victorian] [Simulated French (fixed units only)].
 - Insulating glass contains non-glare spacer between the panes of glass.
 - Grilles are adhered to both sides of the insulating glass with VHB acrylic adhesive tape and aligned with the non-glare spacer.
– or –
- Grilles-Between-the-Glass₃
 - Insulating glass contains 3/4" contoured aluminum grilles permanently installed between two panes of glass (exterior air-space on triple-pane insulating glass).
 - Patterns are [Traditional] [Prairie] [Cross] [Top Row] [Custom – Equally Divided].
 - Interior color is [White] [Tan₄] [Brown₄] [Putty₄] [Black] [Ivory] [Harvest] [Cordovan] [Brickstone].
 - Exterior color₅ is [standard]₂.

Screens

- InView™ Screens
 - Vinyl-coated 18/18 mesh fiberglass screen cloth complying with the performance requirements of SMA 1201, set in aluminum frame fitted to inside of window, supplied complete with all necessary hardware.
 - Screen frame finish is [baked enamel [Champagne] [White] [Brown] [Black]].
– or –
- Rolscreen® Retractable Screen (for rectangular units only)
 - InView™ Screen cloth, self-storing, rolling, black vinyl-coated 18/18 mesh fiberglass screen cloth complying with ASTM D 3656 and the performance requirements of SMA 1201 mounted behind overhead cover.
 - Cover finish is [factory prefinished paint] [[pine] [mahogany] [douglas fir] veneer wrapped over extruded aluminum with factory prefinished [stain] [paint]₂].
 - Guides are aluminum extrusion with [[pine] [mahogany] [douglas fir] veneer wrapped over extruded aluminum with factory prefinished [stain] [paint]₂].

Hardware

- Optional factory applied limited opening hardware available for vent units in stainless steel; nominal 3" opening.
- Optional factory applied window opening control device available. Device allows window to open less than 4" with normal operation, with a release mechanism that allows the sash to open completely. Complies with ASTM F2090-17.

Sensors

- Optional factory installed integrated security sensors available in vent units.

(1) Low-E coated insulating glass is argon-filled (except high altitude). All other insulating glass (including high altitude Low-E) is air-filled.

(2) Contact your local Pella sales representative for current designs and color options.

(3) Available in clear or Low-E insulating glass with argon, and obscure insulated glass.

(4) Tan, Brown and Putty Interior GBG colors are available in single-tone (Brown/Brown, Tan/Tan or Putty/Putty). Other interior colors are also available with tan or brown exterior.

(5) Appearance of exterior grille color will vary depending on Low-E coating on glass.



Frame

- Select softwood, immersion treated with Pella's EnduraGuard® wood protection formula in accordance with WDMA I.S.-4. The EnduraGuard formula includes three active ingredients for protection against the effects of moisture, decay, stains from mold and mildew. Plus, an additional ingredient adds protection against termite damage.
- Interior exposed surfaces are [clear pine] [mahogany] [douglas fir]. Any curved member may have visible finger-jointed surfaces.
- Exterior surfaces are clad with aluminum.
- Components are assembled with screws, staples and concealed corner locks
- Overall frame depth is 5" (127mm) for a wall depth of 3-11/16" (94mm).
- Optional factory-applied jamb extensions available between 3-13/16" (97mm) and 9-3/16" (233mm).
- Optional factory-installed fold-out installation fins with flexible fin corners.
- Optional factory-applied EnduraClad® exterior trim.

Sash

- Select softwood, immersion treated with Pella's EnduraGuard® wood protection formula in accordance with WDMA I.S.-4. The EnduraGuard formula includes three active ingredients for protection against the effects of moisture, decay, stains from mold and mildew. Plus, an additional ingredient adds protection against termite damage.
- Interior exposed surfaces are [clear pine] [mahogany] [douglas fir]. Any curved member may have visible finger-jointed surfaces.
- Exterior surfaces are clad with extruded aluminum butt-jointed at all corners of the sash with through-stile construction and sealed.
- Corners mortised and tenoned, glued and secured with metal fasteners.
- Sash thickness is [1-13/16" (46mm) for 11/16"] [2-1/8" (54mm) for 1"] glazing.
- Sash exterior profile is [ogee] [putty glaze], interior profile is ogee.

Weatherstripping

- Dual weatherstripping.
 - Flexible santoprene material compressed between frame and sash for positive seal on all four sides.
 - Secondary thermoplastic vulcanizate (TPV) leaf-type weatherstrip between edge of sash and frame.

Glazing System¹

- Quality float glass complying with ASTM C 1036.
- Silicone-glazed dual-pane 11/16" dual-seal insulating glass [[annealed] [tempered]], [[clear] [[Advanced] [SunDefense™] [SunDefense+] [NaturalSun] [NaturalSun+] [AdvancedComfort] Low-E [with argon]]] [[bronze] [gray] [green] Advanced Low-E [with Argon]]] [obscure] [Reflective Bronze] [Reflective Gray].
 - or -
- Silicone-glazed dual-pane 1" dual-seal tempered spandrel glass [Lava Bronze Amber] [Black] [Ford Blue] [Symmetry Bronze] [Symmetry Gray] [Symmetry Green].
 - or -
- Silicone-glazed dual-pane 11/16" dual-seal [[annealed] [tempered]] non-impact laminated glass [[clear] [[Advanced] [SunDefense] Low-E [with Argon]]] [[bronze] [gray] [green] Advanced Low-E [with argon]].
 - or -
- Silicone-glazed 1" triple-seal insulating glass [[annealed] [tempered]] [[Advanced Low-E] [SunDefense™] [NaturalSun] Low-E [with argon]].
 - or -
- Impact-Resistant
 - Silicone-glazed 1" dual-seal impact-resistant insulating glass¹ SGP. [[tempered] [annealed]] exterior light is [[Advanced] [SunDefense] Low-E with argon] [clear] [bronze] [gray] [green]]. Laminated clear interior light.
 - or -
 - Silicone-glazed 11/16" dual-seal impact-resistant insulating glass¹ [PVB]. [[tempered] [annealed]] exterior light is [[Advanced Low-E with argon] [clear]]. Laminated [clear] interior light, or [[tempered] [annealed]] exterior light is [[Advanced] [SunDefense] Low-E with argon] [clear]]. Laminated [[bronze] [gray] [green]] interior light.

Exterior

- Aluminum clad exteriors shall be finished with EnduraClad® protective finish, in a multi-step, baked-on finish.
 - Color is [standard] [feature] [custom]₂.
 - or -
- Aluminum clad exteriors shall be finished with EnduraClad Plus protective finish with 70% fluoropolymer resin in a multi-step, baked-on finish
 - Color is [standard] [feature] [custom]₂.

Interior

- [Unfinished, ready for site finishing] [factory primed with one coat acrylic latex] [factory prefinished [paint] [stain] ₂].

Hardware

- Finish of finger pull handle is [baked enamel, [Champagne] [White] [Brown]] [Satin Brass] [Satin Nickel] [Oil-Rubbed Bronze]. All vent units are available with left- or right-hand hinging.
- SureLock® System—A single handle locking system operates positive-acting arms that reach out and pull the sash into a locked position: one operating lock installed on units with frame height 29" and less, two unison operating locks installed on units with frame height over 29".
- Style of hardware is [Standard standard lock handle with [baked enamel [Champagne] [White] [Brown] [Matte Black]] [Satin Brass] [Satin Nickel] [Oil-Rubbed Bronze] hardware finish].
 - or -
- [Antiek lock handle with [baked enamel [Champagne] [White] [Brown] [Matte Black]] [Satin Brass] [Satin Nickel] [Oil-Rubbed Bronze] [distressed bronze] [distressed nickel] hardware finish].
- Factory applied window opening control device included. Device allows window to open less than 4" with normal operation, with a release mechanism that allows the sash to open completely.

Optional Products

Grilles

- Integral Light Technology® grilles
 - Interior grilles are [5/8"] [7/8"] [1-1/4"] [2"] ogee profile that are solid [pine] [mahogany] [douglas fir]. Interior surfaces are [unfinished, ready for site finishing] [factory primed] [pine: factory prefinished [paint] [stain] ₂].
 - Exterior grilles are [5/8" putty profile] [7/8" [putty] [ogee] profile] [1-1/4" [putty] [ogee] profile] [2" ogee profile] that are extruded aluminum.
 - Patterns are [Traditional] [Prairie] [Top Row] [Cross] [New England] [Victorian] [Simulated French].
 - Insulating glass contains non-glare spacer between the panes of glass.
 - Grilles are adhered to both sides of the insulating glass with VHB acrylic adhesive tape and aligned with the non-glare spacer.
 - or -
- Grilles-Between-the-Glass³
 - Insulating glass contains 3/4" contoured aluminum grilles permanently installed between two panes of glass (exterior air-space on triple-pane insulating glass).
 - Patterns are [Traditional] [Prairie] [Cross] [Top Row].
 - Interior color is [White] [Tan₄] [Brown₄] [Putty₄] [Black] [Ivory] [Harvest] [Cordovan] [Brickstone].
 - Exterior color₅ is [standard]₂.

Hinged In-Swing Screens

- InView™ Fiberglass Screen
 - Vinyl-coated 18/18 mesh fiberglass screen cloth complying with SMA 1201, set in an aluminum extruded frame fitted to inside of window, supplied complete with all necessary hardware.
 - Screen frame interior exposed surfaces are extruded aluminum with [White] [Brown] [Black] painted finish.

Hardware

- Optional historical visible stay bar available in [Satin Brass] [Satin Nickel] [Oil-Rubbed Bronze].
- Optional factory applied limited opening hardware available for vent units in stainless steel; nominal 3" opening.

Sensors

- Optional factory installed integrated security sensors available in vent units.

(1) Low-E coated insulating glass is argon-filled (except high altitude). All other insulating glass (including high altitude Low-E) is air-filled.

(2) Contact your local Pella sales representative for current designs and color options.

(3) Available in clear or Low-E insulating glass with argon, and obscure insulated glass.

(4) Tan, Brown and Putty Interior GBG colors are available in single-tone (Brown/Brown, Tan/Tan or Putty/Putty). Other interior colors are also available with tan or brown exterior.

(5) Appearance of exterior grille color will vary depending on Low-E coating on glass.

(6) Vivid View screen is not available when frame height is > 84" or when both frame width and frame height are > 48".



Frame

- Select softwood, immersion treated with Pella's EnduraGuard® wood protection formula in accordance with WDMA I.S.-4. The EnduraGuard formula includes three active ingredients for protection against the effects of moisture, decay, stains from mold and mildew. Plus, an additional ingredient adds protection against termite damage.
- Interior exposed surfaces are [clear pine] [mahogany]. Any curved member may have visible finger-jointed surfaces.
- Exterior surfaces are [pine: factory-primed] [mahogany: [factory-primed] [ready-to-stain]].
- Overall frame depth is 4-3/8" (111mm) for a wall depth of 4-3/16" (106mm).
- Optional factory-applied jamb extensions available between 3-13/16" (97mm) and 9-3/16" (233mm).

Sash

- Select softwood, immersion treated with Pella's EnduraGuard® wood protection formula in accordance with WDMA I.S.-4. The EnduraGuard formula includes three active ingredients for protection against the effects of moisture, decay, stains from mold and mildew. Plus, an additional ingredient adds protection against termite damage.
- Interior exposed surfaces are [clear pine] [mahogany]. Any curved member may have visible finger-jointed surfaces.
- Exterior Surfaces are [pine: factory-primed] [mahogany [factory-primed] [ready-to-stain]]. Any curved member may have visible finger-jointed surfaces.
- Corners mortised and tenoned, glued and secured with metal fasteners.
- Sash thickness is [1-13/16" (46mm) for 11/16" [2-1/8" (54mm) for 1" glazing.
- Sash exterior profile is putty glaze, interior profile is ogee.

Weatherstripping

- Dual weatherstripping.
 - Flexible santoprene material compressed between frame and sash for positive seal on all four sides.
 - Secondary thermoplastic vulcanizate (TPV) leaf-type weatherstrip between edge of sash and frame.

Glazing System 1

- Quality float glass complying with ASTM C 1036.
- Custom and high altitude [with argon] glazing available for 11/16" glazing only.
- Silicone-glazed 11/16" dual-seal insulating glass [[annealed] [tempered]] [[clear] [[Advanced] [SunDefense™] [SunDefense+] [NaturalSun] [NaturalSun+] [AdvancedComfort] Low-E [with argon]] [[bronze] [gray] [green] Advanced Low-E with argon]].
– or –
- Silicone-glazed 1" triple-pane, dual-seal insulating glass [[annealed] [tempered]] [[Advanced] [SunDefense™] [NaturalSun] Low-E [with argon]].

Interior

- [Unfinished, ready for site finishing] [factory primed with one coat acrylic latex] [Pine: Factory prefinished [paint] [stain]2].

Hardware

- Finish of finger pull handle is [baked enamel, [Champagne] [White] [Brown]] [Bright Brass] [Satin Nickel] [Oil-Rubbed Bronze]. All vent units are available with left- or right-hand hinging.
- SureLock® System—A single handle locking system operates positive-acting arms that reach out and pull the sash into a locked position: one operating lock installed on units with frame height 29" and less, two unison operating locks installed on units with frame height over 29".
- Style of hardware is [Standard standard lock handle with [baked enamel] [Champagne] [White] [Brown] [Matte Black]] [Satin Brass] [Satin Nickel] [Oil-Rubbed Bronze] hardware finish].
– or –
- [Antiek lock handle with [baked enamel] [Champagne] [White] [Brown] [Matte Black]] [Satin Brass] [Satin Nickel] [Oil-Rubbed Bronze] [distressed bronze] [distressed nickel] hardware finish].
- Factory applied window opening control device included. Device allows window to open less than 4" with normal operation, with a release mechanism that allows the sash to open completely.

Optional Products

Grilles

- Integral Light Technology® grilles
 - Interior grilles are solid [5/8"] [7/8"] [1-1/4"] ogee profile that are solid [pine] [mahogany]. Interior surfaces are [unfinished, ready for site finishing] [factory primed] [pine: factory prefinished [paint] [stain] 2].
 - Exterior grilles are solid [5/8"] [7/8"] [1-1/4"] putty profile that are [pine] [mahogany]. Exterior surfaces are water repellent, preservative-treated in accordance with WDMA I.S.-4, and are [unfinished, ready for site finishing] [factory primed].
 - Patterns are [Traditional] [Prairie] [Top Row] [Cross] [New England] [Victorian] [Simulated French (fixed units only)].
 - Insulating glass contains non-glare spacer between the panes of glass.
 - Grilles are adhered to both sides of the insulating glass with VHB acrylic adhesive tape and aligned with the non-glare spacer.
– or –
- Grilles-Between-the-Glass 3
 - Insulating glass contains 3/4" contoured aluminum grilles permanently installed between two panes of glass (exterior air-space on triple-pane insulating glass).
 - Patterns are [Traditional] [Prairie] [Cross] [Top Row] [Custom – Equally Divided].
 - Interior color is [White] [Tan 4] [Brown 4] [Putty 4] [Black] [Ivory] [Harvest] [Cordovan] [Brickstone].
 - Exterior color 5 is [standard] [feature]2.

Hinged In-Swing Screens

- InView™ Fiberglass Screen
 - Vinyl-coated 18/18 mesh fiberglass screen cloth complying with SMA 1201, set in an aluminum extruded frame fitted to inside of window, supplied complete with all necessary hardware.
 - Screen frame interior exposed surfaces are extruded aluminum with [White] [Brown] [Black] painted finish.

Hardware

- Optional historical visible stay bar available in [Satin Brass] [Satin Nickel] [Oil-Rubbed Bronze].
- Optional factory applied limited opening hardware available for vent units in stainless steel; nominal 3" opening.

Sensors

- Optional factory installed integrated security sensors available in vent units.

(1) Low-E coated insulating glass is argon-filled (except high altitude). All other insulating glass (including high altitude Low-E) is air-filled.

(2) Contact your local Pella sales representative for current designs and color options.

(3) Available in clear or Low-E insulating glass with argon, and obscure insulated glass.

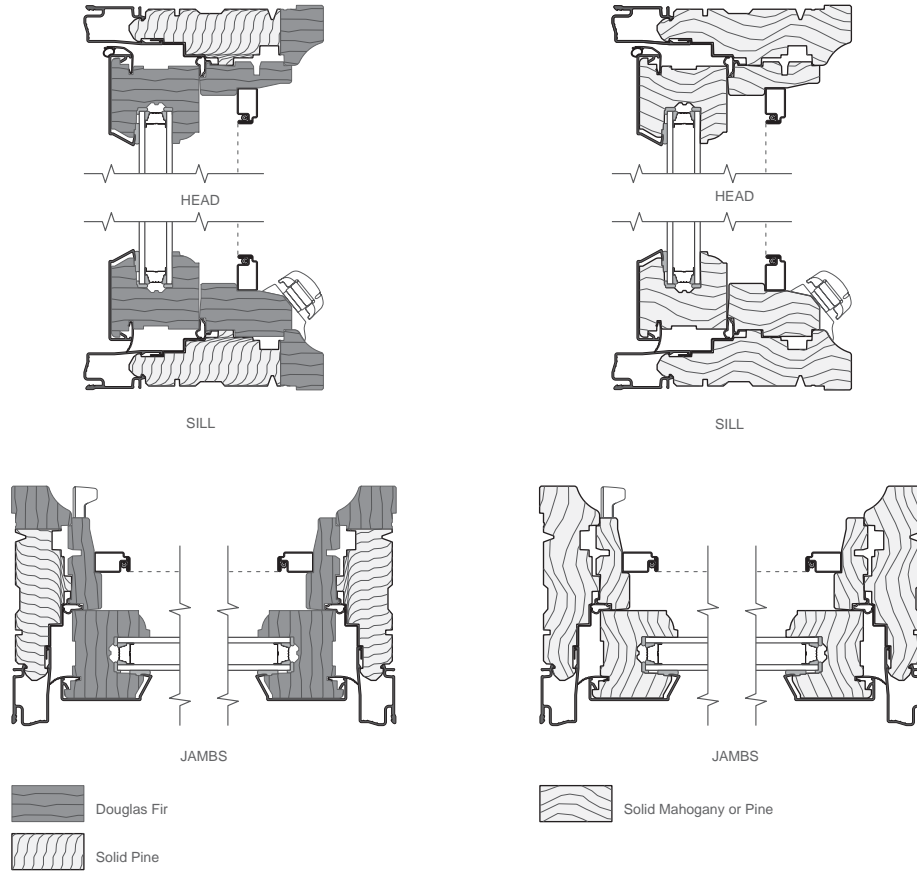
(4) Tan, Brown and Putty Interior GBG colors are available in single-tone (Brown/Brown, Tan/Tan or Putty/Putty). Other interior colors are also available with tan or brown exterior.

(5) Appearance of exterior grille color will vary depending on Low-E coating on glass.



Pella® Reserve™ Traditional Casement Window

Unit Sections – Aluminum-Clad Exterior - Wood Collection

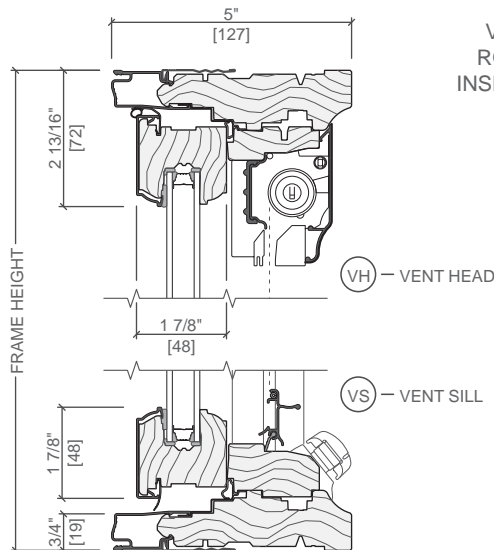
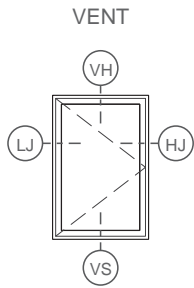
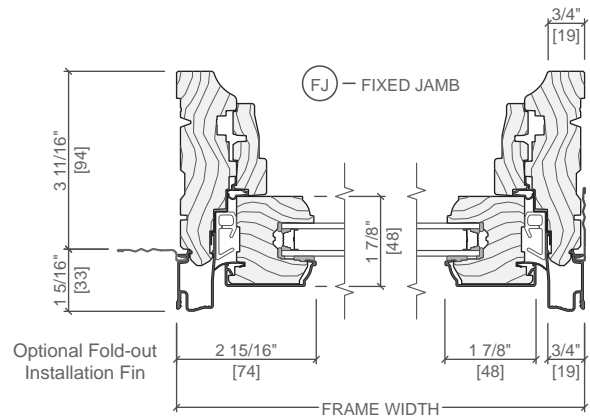
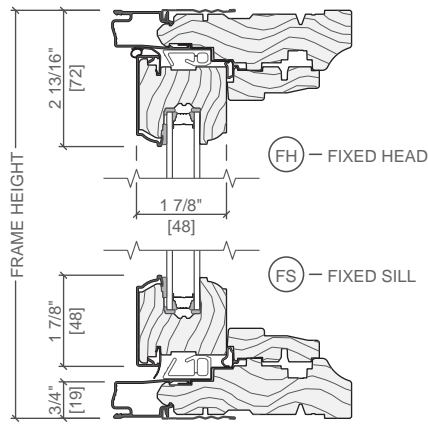
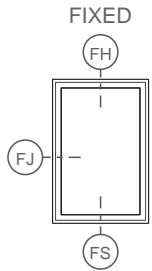
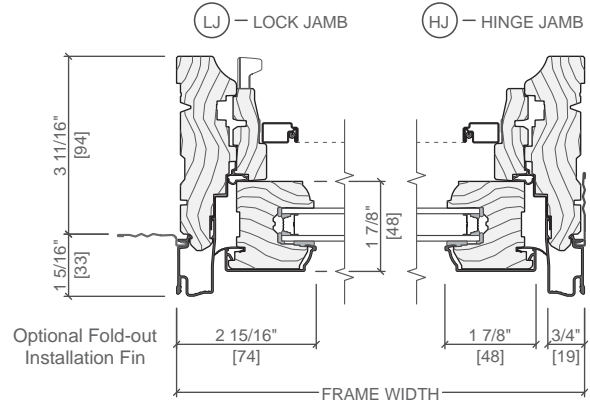
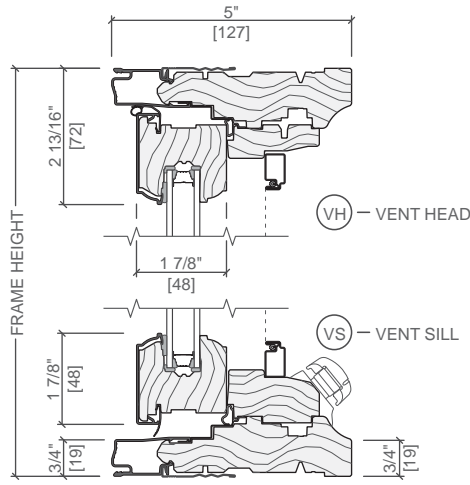
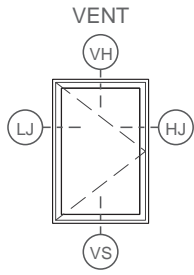


Not to Scale

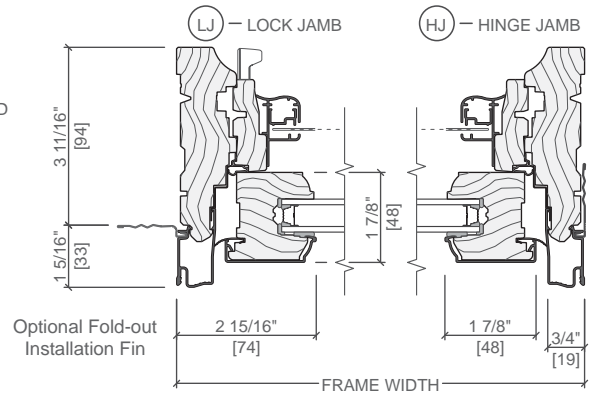


Pella® Reserve™ Traditional Casement Window

Unit Sections – Aluminum-Clad Exterior, Ogee Exterior Profile



VENT WITH ROLSCREEN® INSECT SCREEN

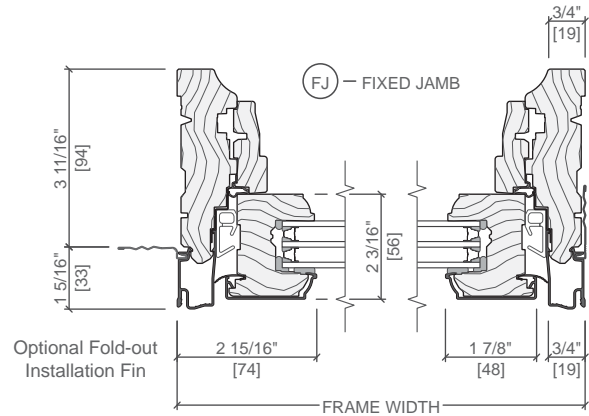
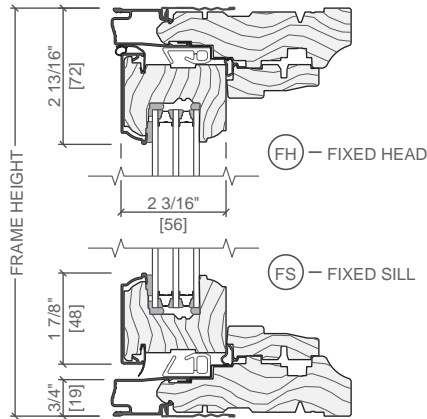
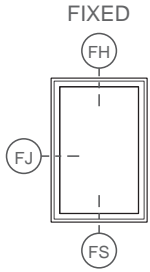
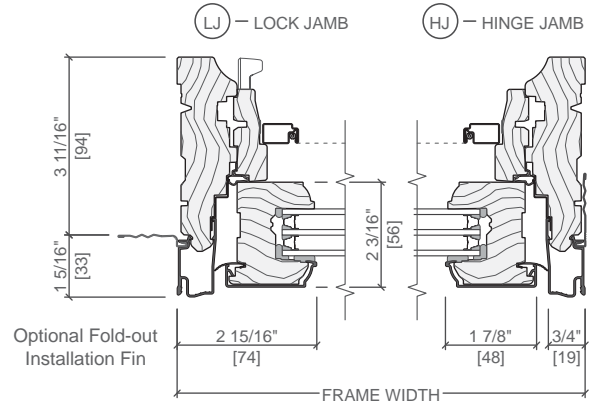
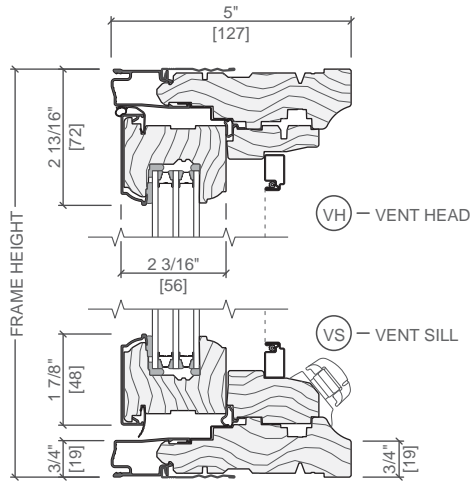
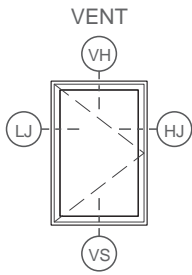


Scale 3" = 1' 0"
All dimensions are approximate.



Pella® Reserve™ Traditional Casement Window

Unit Sections – Triple-Pane Aluminum-Clad Exterior, Ogee Exterior Profile

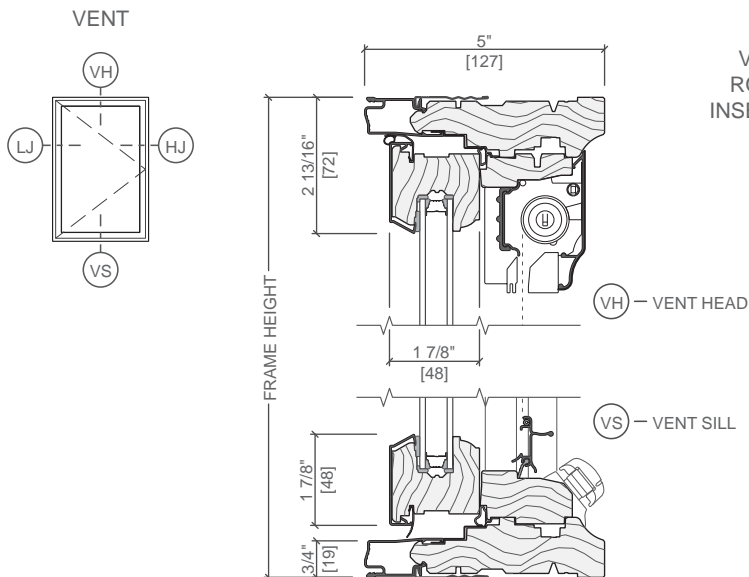
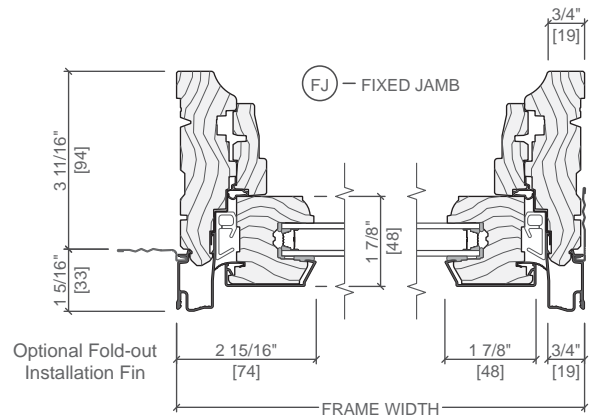
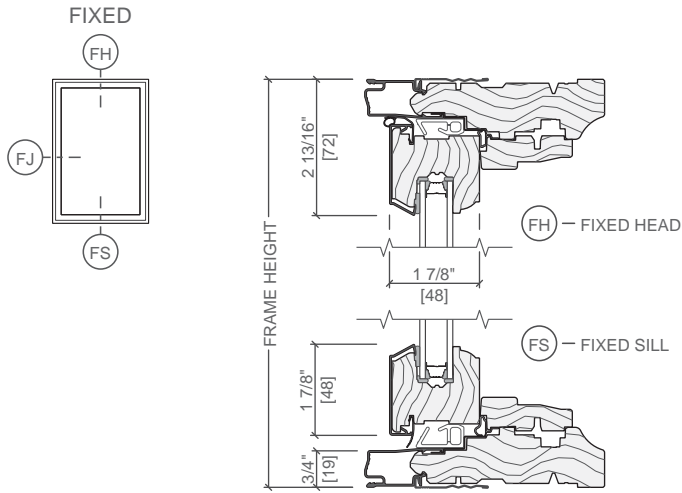
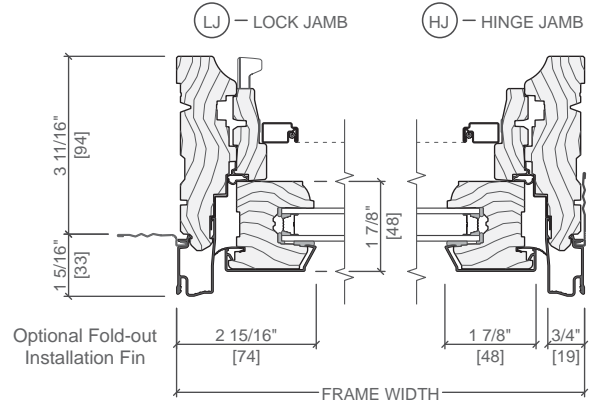
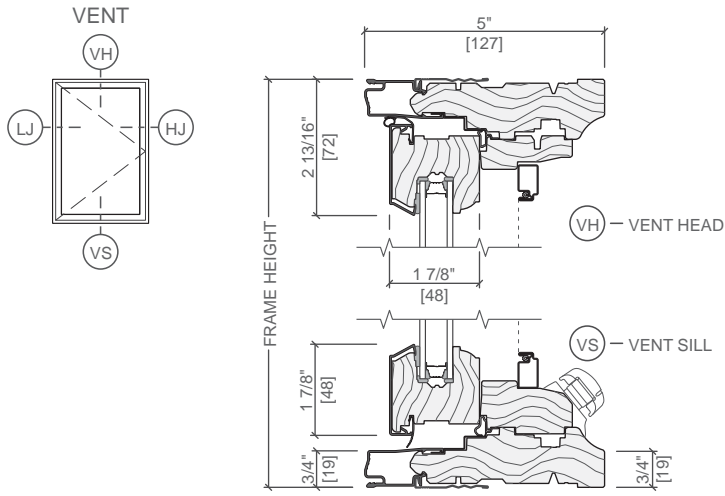


Scale 3" = 1' 0"
All dimensions are approximate.

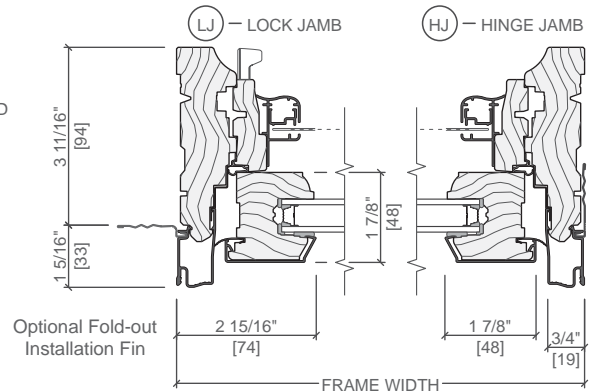


Pella® Reserve™ Traditional Casement Window

Unit Sections – Aluminum-Clad Exterior, Putty Glaze Exterior Profile



VENT WITH
ROLSCREEN®
INSECT SCREEN

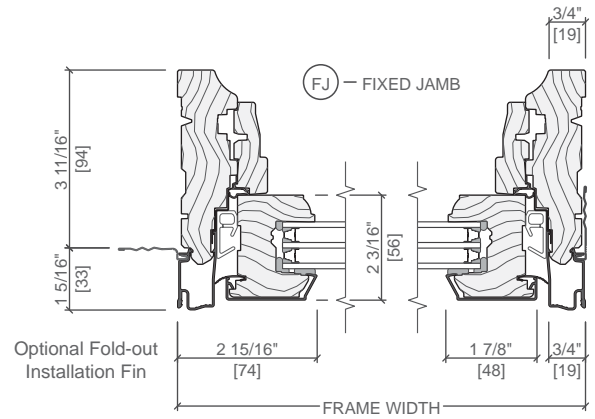
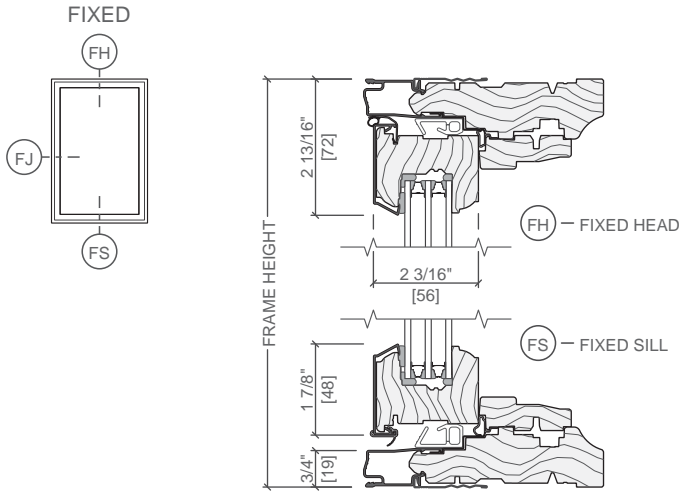
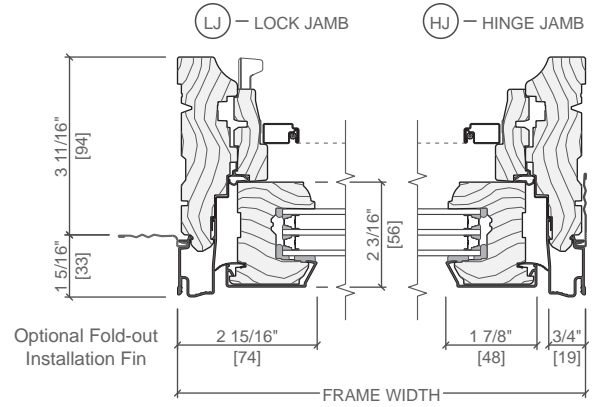
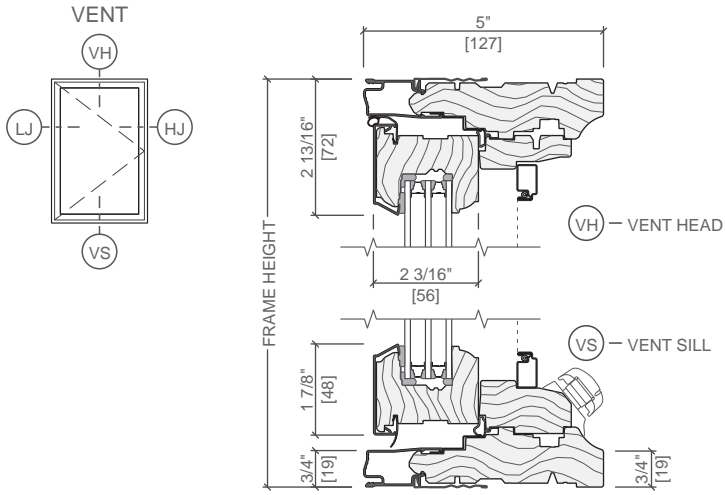


Scale 3" = 1' 0"
All dimensions are approximate.



Pella® Reserve™ Traditional Casement Window

Unit Sections – Triple-Pane Aluminum-Clad Exterior, Putty Glaze Exterior Profile

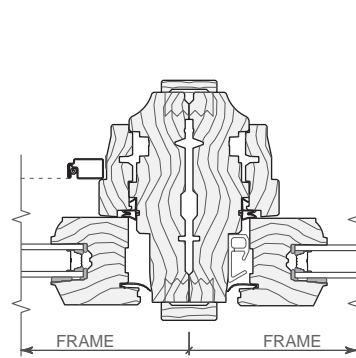
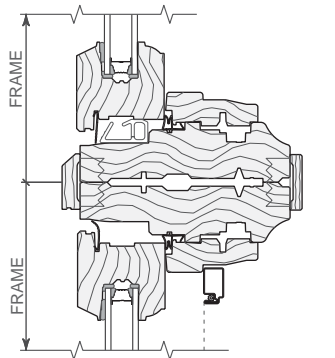
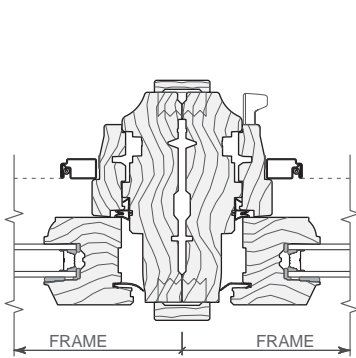
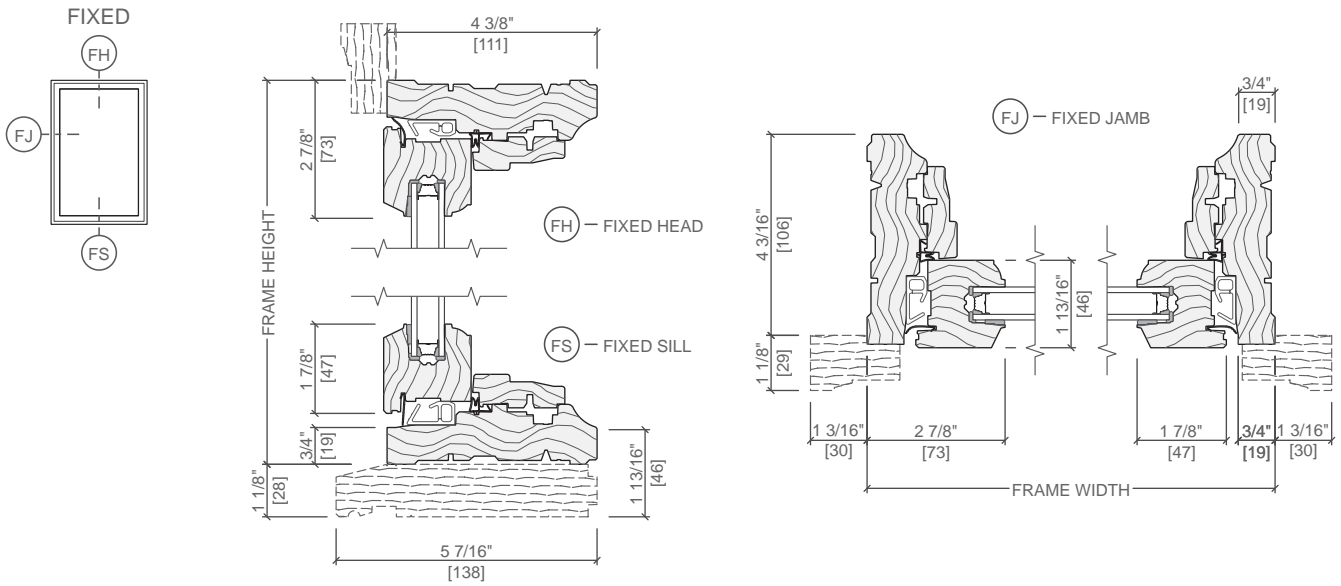
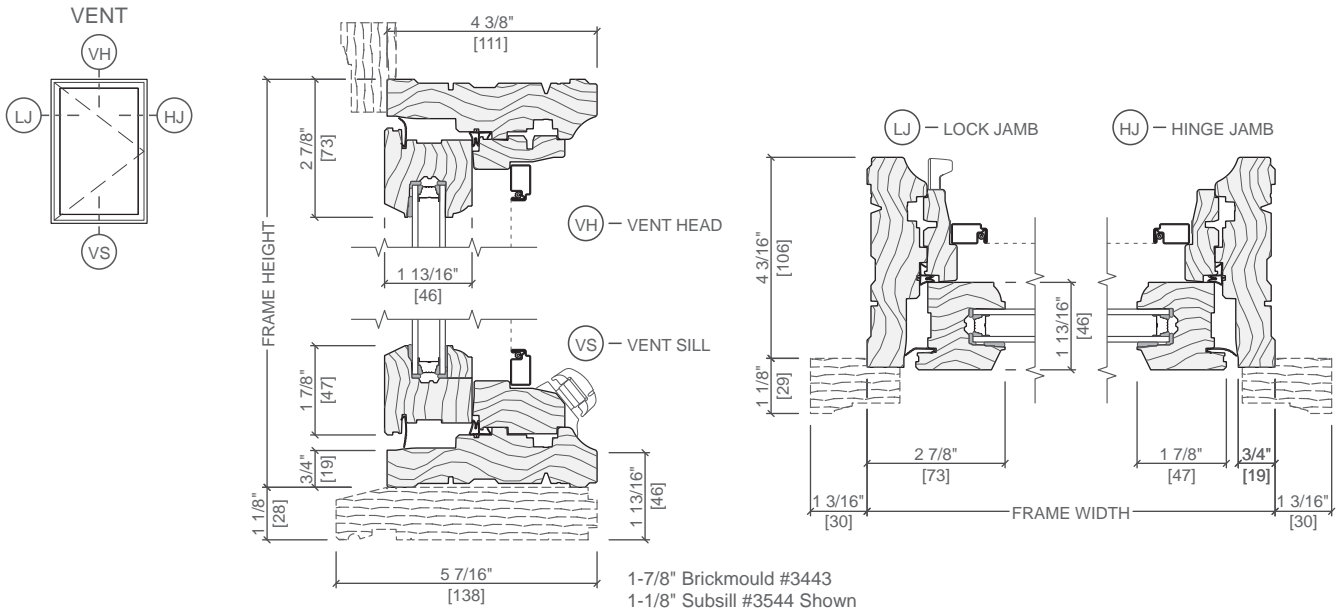


Scale 3" = 1' 0"
All dimensions are approximate.



Pella® Reserve™ Traditional Casement Window

Unit Sections – Wood Exterior, Putty Glaze Exterior Profile



Scale 3" = 1' 0"

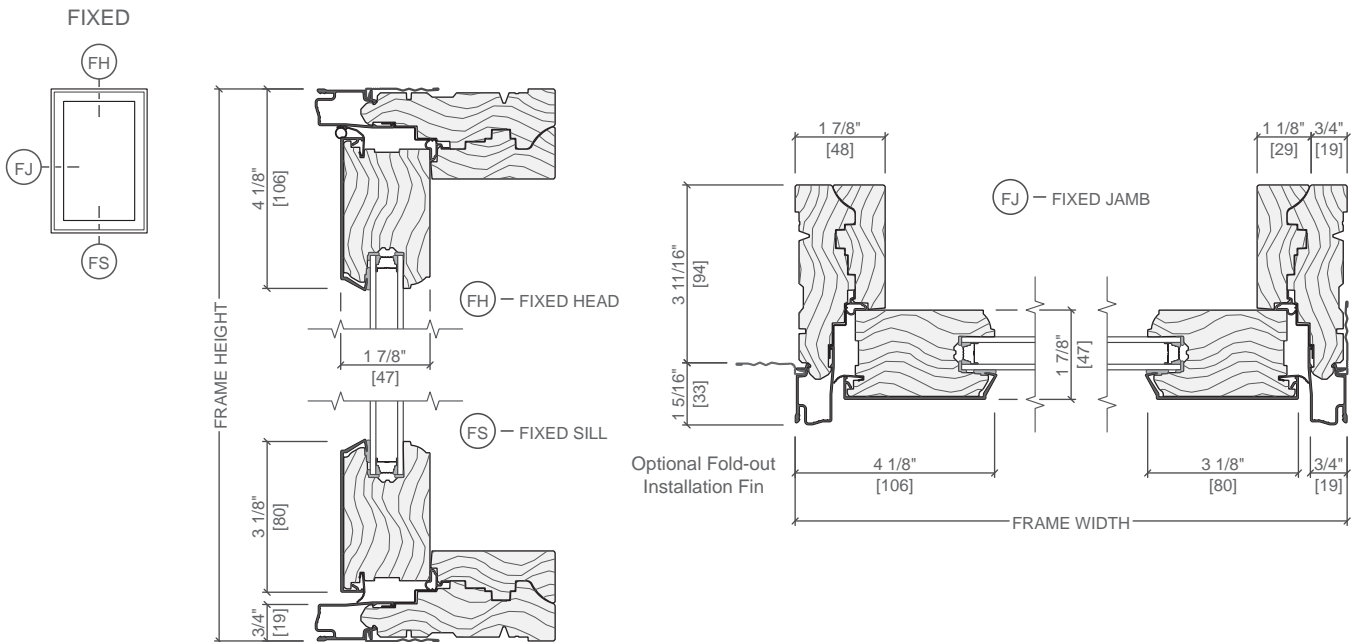
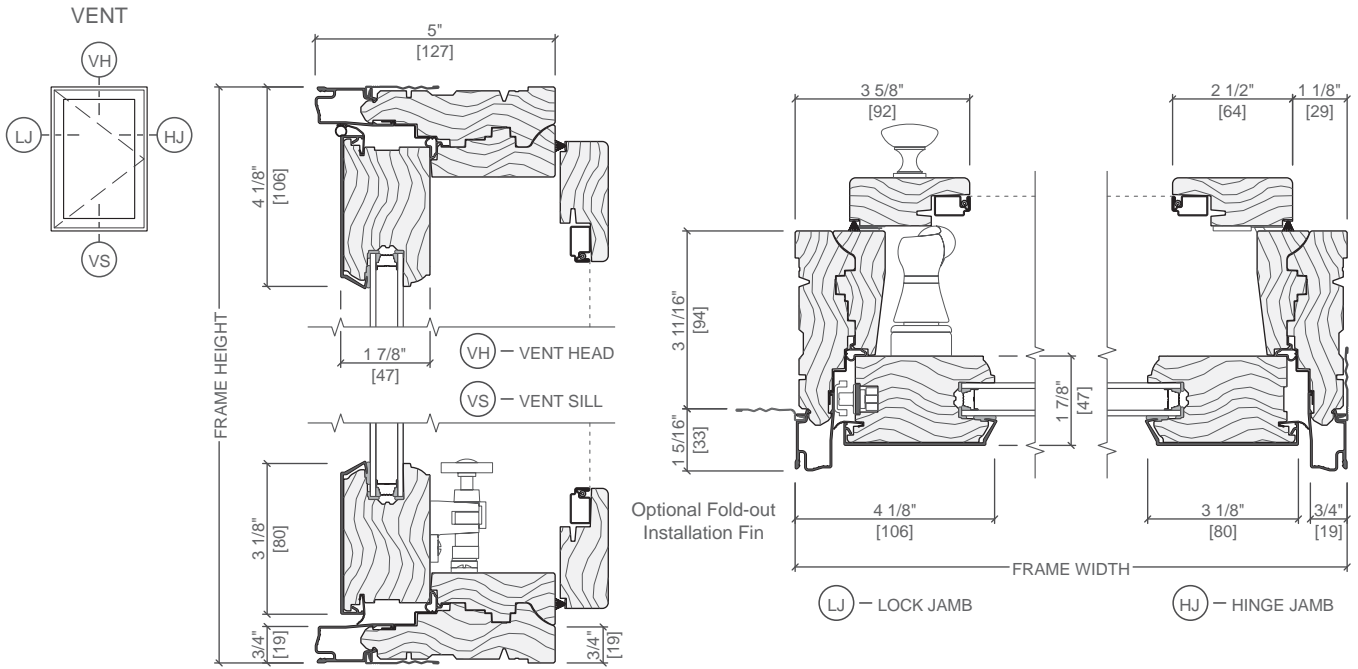
All dimensions are approximate.

See supporting document Combination Recommendations, for mullion limitations and reinforcing requirements.



Pella® Reserve™ Traditional Casement Window

Unit Sections – Aluminum-Clad Exterior, Push-Out Casement

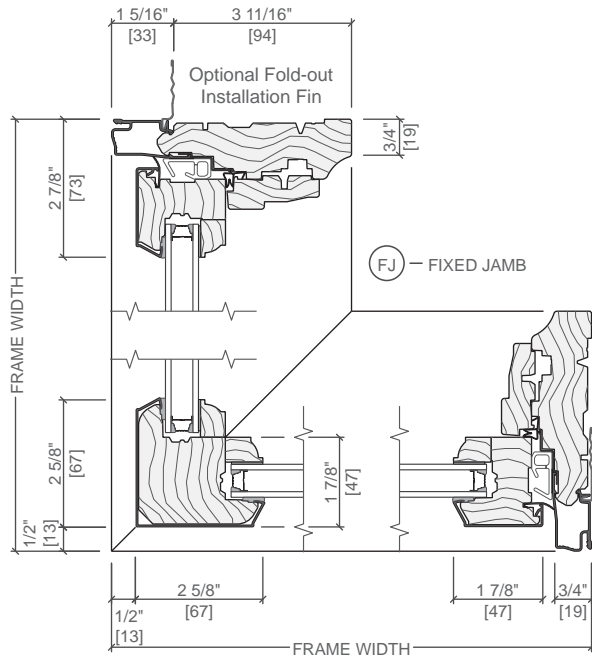
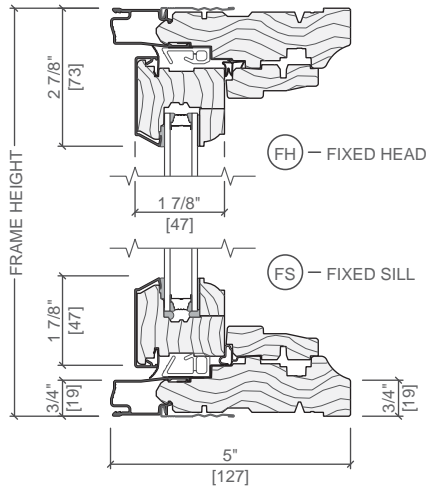
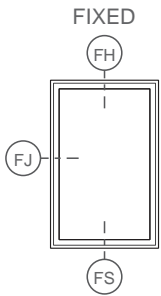
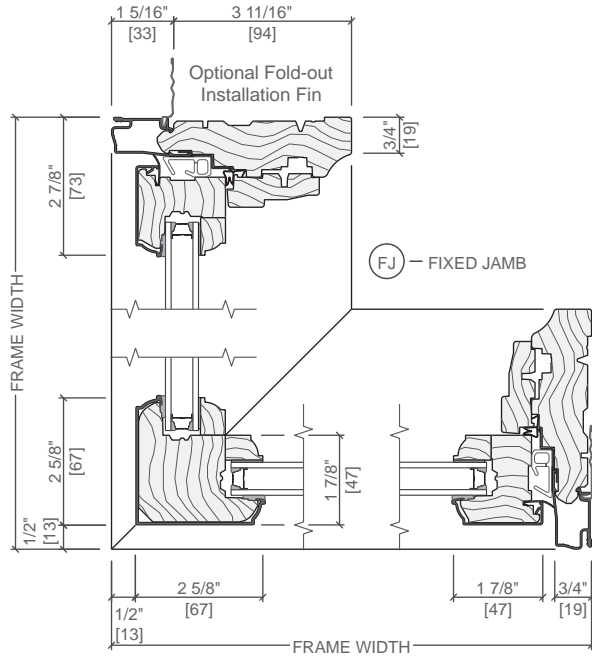
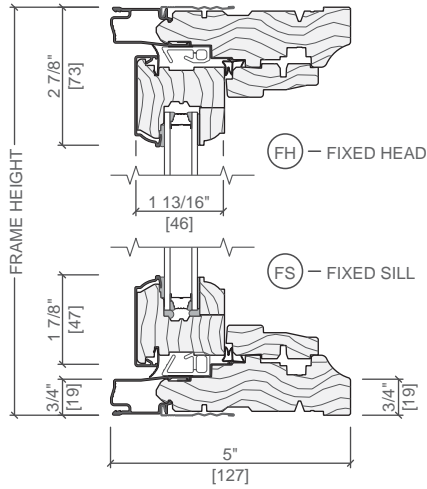
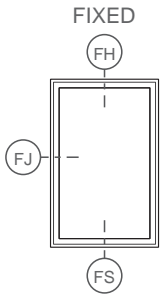


Scale 3" = 1' 0"
All dimensions are approximate.



Pella® Reserve™ Traditional Casement Window

Unit Sections – Aluminum-Clad Exterior, Mitered Corner



Scale 3" = 1' 0"
All dimensions are approximate.