



Product Selection Guide

Size and Performance DataPFH-2

Features and Options PFH-3

Glazing Performance PFH-4

Grilles..... PFH-6

 Grille Patterns.....PFH-7

Size and Measurement Guidelines PFH-8

Design Data PFH-9

Detailed Product Descriptions

 CladPFH-10

 Wood..... PFH-11

Unit Sections/Installation Details

 Clad PFH-12

 Wood.....PFH-15

Precision-Fit windows are intended for pocket installation into an existing old window frame still in place. The existing sashes of the old double- or single-hung window are removed by cutting the balance chords and removing the interior stop and parting stops. The new window is placed against the exterior stop from the interior. The interior stops can then be re-installed.

See installation instructions for details

For masonry installation, see the standard Double-Hung product section.

The information published in this document is believed to be accurate at the time of publication. However, because we are constantly working to improve our products, specifications are subject to change without notice. Consult your local Pella representative for up-to-date product information.



Pella® Reserve™ Traditional Precision-Fit Hung Window

Size and Performance Data

	Clad LX	Wood LX	Clad SE
Sizes			
Made to order in 1/4" increments	●	●	●
Cottage Sash or Equal Sash Split	●	●	●
Variable sash split	●	●	●
Performance₁			
Meets or Exceeds AAMA / WDMA Ratings	H-CW40 - CW50 Hallmark Certified	H-CW40 - CW-50 Hallmark Certified	H-CW40 - CW50 Hallmark Certified
Air Infiltration (cfm / ft ² of frame @ 1.57 psf wind pressure)	0.11	0.11	0.11
Water Resistance	6.0-6.9 psf	6.0-6.9 psf	6.0-6.9 psf
Design Pressure	40-50 psf	40-50 psf	40-50 psf

(-) = Not Available

(1) Maximum performance for single unit when glazed with the appropriate glass thickness. See Design Data pages in this section for specific product performance class and grade values.

(2) ASTM E 1425 defines standard sizes for acoustical testing. Ratings achieved at that size are representative of all sizes of the same configuration.



Pella® Reserve™ Traditional Precision-Fit Hung Window

Features and Options

Standard	Options / Upgrades
Glazing	
Glazing Type	
Dual-Pane Insulating Glass	—
Insulated Glass Options/Low-E Types	
Advanced Low-E	SunDefense™ Low-E
	SunDefense+ Low-E
	AdvancedComfort Low-E
	NaturalSun Low-E
	NaturalSun+ Low-E
	Clear (no Low-E coating)
Additional Glass Options	
Annealed Glass	Tempered Glass
	Obscure Glass ¹
	Tinted Glass (Bronze, Gray and Green)
Gas Fill/High Altitude	
Argon	High altitude
Exterior ¹	
EnduraClad® protective finish	EnduraClad Plus protective finish
Factory Primed Wood Sash (pine, Aluminum-clad frame)	Unfinished Mahogany Wood (LX only)
Interior	
Wood Types	
Pine	Mahogany (clad and wood LX only), Douglas Fir (clad LX only)
Interior Finish ¹	
Unfinished Wood	Factory primed ¹ , Factory prefinished paint ¹ , Factory prefinished stain ¹
Hardware	
Hardware Finish	
Champagne, White, Brown or Matte Black	Satin Brass, Satin Nickel, Oil-Rubbed Bronze
Sash Locks	
Cam-action lock	Historical spoon-style lock (surface mounted)
Tilt-Wash Cleaning	
Tilt to interior on both sashes	—
Other Hardware	
—	Sash lifts
Grilles	
Integral Light Technology® Grilles	
—	Traditional, Prairie, Top Row, Cross, New England, Victorian, Diamond, Custom
Grilles-Between-the-Glass	
—	Traditional, Prairie, Top Row ¹ , Cross or Custom-Equally Divided
Screens	
—	Full-Height or Half-height InView™ screens

(1) Contact your local Pella sales representative for current color options.



Pella® Reserve™ Traditional Precision-Fit Hung Window

Glazing Performance - Total unit

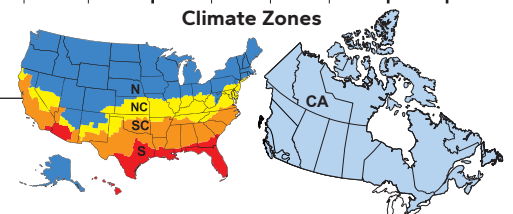
Glazing Thickness	Type of Glazing	NFRC Certified Product #	Glass (mm)		Gap Fill	Performance Values ¹				Shaded Areas Meet ENERGY STAR® Performance Criteria in Zones Shown						
			Ext.	Int.		U-Factor	SHGC	VLT	CR	U. S.				Canada ²		
										Zone				ER	Zone	
Vent - Aluminum-Clad Exteriors										N	NC	SC	S	CA		
11/16"	Clear IG	PEL-N-233-00601-00001	2.5	2.5	air	0.46	0.61	0.63	44							
	with grilles-between-the-glass	PEL-N-233-00602-00001				0.46	0.54	0.56	44							
	with integral grilles	PEL-N-233-00603-00001				0.46	0.54	0.56	44							
11/16"	Clear IG	PEL-N-233-00605-00001	3	3	air	0.47	0.59	0.62	43							
	with grilles-between-the-glass	PEL-N-233-00606-00001				0.47	0.53	0.55	43							
	with integral grilles	PEL-N-233-00607-00001				0.47	0.53	0.55	43							
11/16"	Advanced Low-E IG	PEL-N-233-00637-00001	2.5	2.5	argon	0.29	0.28	0.54	59							
	with grilles-between-the-glass	PEL-N-233-00638-00001				0.29	0.26	0.48	59							
	with integral grilles	PEL-N-233-00639-00001				0.30	0.26	0.48	59							
11/16"	Advanced Low-E IG	PEL-N-233-00641-00001	3	3	argon	0.29	0.28	0.53	58							
	with grilles-between-the-glass	PEL-N-233-00642-00001				0.29	0.26	0.47	58							
	with integral grilles	PEL-N-233-00643-00001				0.30	0.26	0.47	58							
11/16"	SunDefense™ Low-E IG	PEL-N-233-00685-00001	2.5	2.5	argon	0.29	0.21	0.50	59						S	
	with grilles-between-the-glass	PEL-N-233-00686-00001				0.29	0.19	0.44	59						S	
	with integral grilles	PEL-N-233-00687-00001				0.29	0.19	0.44	59						S	
11/16"	SunDefense™ Low-E IG	PEL-N-233-00689-00001	3	3	argon	0.29	0.21	0.49	58						S	
	with grilles-between-the-glass	PEL-N-233-00690-00001				0.29	0.19	0.43	58						S	
	with integral grilles	PEL-N-233-00691-00001				0.29	0.19	0.43	58						S	
11/16"	SunDefense+ Low-E IG	PEL-N-233-00973-00001	2.5	2.5	argon	0.25	0.21	0.48	48		NC	SC			S	
	with grilles-between-the-glass	PEL-N-233-00974-00001				0.25	0.19	0.43	48		NC	SC			S	
	with integral grilles	PEL-N-233-00975-00001				0.26	0.19	0.43	48			SC			S	
11/16"	SunDefense+ Low-E IG	PEL-N-233-00981-00001	3	3	argon	0.25	0.21	0.48	47		NC	SC			S	
	with grilles-between-the-glass	PEL-N-233-00982-00001				0.25	0.19	0.43	47		NC	SC			S	
	with integral grilles	PEL-N-233-00983-00001				0.26	0.19	0.43	47			SC			S	
11/16"	AdvancedComfort Low-E IG	PEL-N-233-00661-00001	2.5	2.5	argon	0.25	0.28	0.52	48		NC					
	with grilles-between-the-glass	PEL-N-233-00662-00001				0.25	0.25	0.47	48		NC					
	with integral grilles	PEL-N-233-00663-00001				0.26	0.25	0.47	48							
11/16"	AdvancedComfort Low-E IG	PEL-N-233-00665-00001	3	3	argon	0.25	0.28	0.52	47		NC					
	with grilles-between-the-glass	PEL-N-233-00666-00001				0.25	0.25	0.46	47		NC					
	with integral grilles	PEL-N-233-00667-00001				0.26	0.25	0.46	47							
11/16"	NaturalSun Low-E IG	PEL-N-233-00613-00001	2.5	2.5	argon	0.30	0.53	0.61	58							
	with grilles-between-the-glass	PEL-N-233-00614-00001				0.30	0.48	0.54	58							
	with integral grilles	PEL-N-233-00615-00001				0.31	0.48	0.54	58							
11/16"	NaturalSun Low-E IG	PEL-N-233-00617-00001	3	3	argon	0.30	0.52	0.60	57							
	with grilles-between-the-glass	PEL-N-233-00618-00001				0.30	0.47	0.53	57							
	with integral grilles	PEL-N-233-00619-00001				0.31	0.47	0.53	57							
11/16"	NaturalSun+ Low-E IG	PEL-N-233-00941-00001	2.5	2.5	argon	0.26	0.49	0.59	47		N				35	CA
	with grilles-between-the-glass	PEL-N-233-00942-00001				0.26	0.44	0.53	47		N					
	with integral grilles	PEL-N-233-00943-00001				0.27	0.44	0.53	44							
11/16"	NaturalSun+ Low-E IG	PEL-N-233-00949-00001	3	3	argon	0.26	0.48	0.59	46		N				35	CA
	with grilles-between-the-glass	PEL-N-233-00950-00001				0.26	0.43	0.52	46		N					
	with integral grilles	PEL-N-233-00951-00001				0.27	0.43	0.52	46							
Tinted Glazing																
11/16"	Bronze Advanced Low-E IG	PEL-N-233-00721-00002	5	3	argon	0.30	0.25	0.34	57						S	
	with grilles-between-the-glass	PEL-N-233-00722-00002				0.31	0.23	0.30	57						S	
	with integral grilles	PEL-N-233-00723-00002				0.31	0.23	0.30	57						S	
11/16"	Gray Advanced Low-E IG	PEL-N-233-00721-00003	5	3	argon	0.30	0.23	0.30	57						S	
	with grilles-between-the-glass	PEL-N-233-00722-00003				0.31	0.21	0.26	57						S	
	with integral grilles	PEL-N-233-00723-00003				0.31	0.21	0.26	57						S	
11/16"	Green Advanced Low-E IG	PEL-N-233-00721-00004	5	3	argon	0.30	0.29	0.47	57							
	with grilles-between-the-glass	PEL-N-233-00722-00004				0.31	0.26	0.41	57							
	with integral grilles	PEL-N-233-00723-00004				0.31	0.26	0.41	57							

R-Value = 1/U-Factor, SHGC = Solar Heat Gain Coefficient
 VLT % = Visible Light Transmission, CR = Condensation Resistance
 ER = Canadian Energy Rating

(1) Glazing performance values are calculated for Pine using NFRC 100, NFRC 200 and NFRC 500. Thermal performance of other wood species may vary. ENERGY STAR® values are updated to 2023 (Version 7) criteria.

(2) The values shown are based on Canada's updated ENERGY STAR® 2020 initiative.

Visit www.energystar.gov for Energy Star guidelines.





Pella® Reserve™ Traditional Precision-Fit Hung Window

Glazing Performance - Total unit

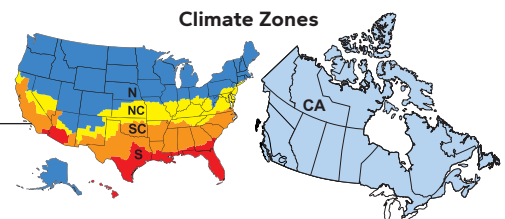
Glazing Thickness	Type of Glazing	NFRC Certified Product #	Glass (mm)		Gap Fill	Performance Values ₁				Shaded Areas Meet ENERGY STAR® Performance Criteria in Zones Shown						
			Ext.	Int.		U-Factor	SHGC	VLT	CR	U. S.				Canada ₂		
										Zone				ER	Zone	
High Altitude Glazing										N	NC	SC	S	CA		
11/16"	Advanced Low-E IG	PEL-N-233-00649-00001	2.5	2.5	air	0.33	0.29	0.54	55							
	with grilles-between-the-glass	PEL-N-233-00650-00001				0.33	0.26	0.48	55							
	with integral grilles	PEL-N-233-00651-00001				0.33	0.26	0.48	55							
11/16"	Advanced Low-E IG	PEL-N-233-00653-00001	3	3	air	0.33	0.29	0.53	54							
	with grilles-between-the-glass	PEL-N-233-00654-00001				0.33	0.26	0.47	54							
	with integral grilles	PEL-N-233-00655-00001				0.34	0.26	0.47	54							
11/16"	SunDefense™ Low-E IG	PEL-N-233-00697-00001	2.5	2.5	air	0.32	0.21	0.50	56				S			
	with grilles-between-the-glass	PEL-N-233-00698-00001				0.32	0.19	0.44	56				S			
	with integral grilles	PEL-N-233-00699-00001				0.33	0.19	0.44	56							
11/16"	SunDefense™ Low-E IG	PEL-N-233-00701-00001	3	3	air	0.32	0.21	0.49	55				S			
	with grilles-between-the-glass	PEL-N-233-00702-00001				0.32	0.19	0.44	55				S			
	with integral grilles	PEL-N-233-00703-00001				0.33	0.19	0.44	55							
11/16"	SunDefense+ Low-E IG	PEL-N-233-00969-00001	2.5	2.5	air	0.27	0.21	0.48	44			SC	S			
	with grilles-between-the-glass	PEL-N-233-00970-00001				0.27	0.19	0.43	44			SC	S			
	with integral grilles	PEL-N-233-00971-00001				0.28	0.19	0.43	44			SC	S			
11/16"	SunDefense+ Low-E IG	PEL-N-233-00977-00001	3	3	air	0.28	0.21	0.48	43			SC	S			
	with grilles-between-the-glass	PEL-N-233-00978-00001				0.28	0.19	0.43	43			SC	S			
	with integral grilles	PEL-N-233-00979-00001				0.29	0.19	0.43	43				S			
11/16"	AdvancedComfort Low-E IG	PEL-N-233-00673-00001	2.5	2.5	air	0.28	0.28	0.52	44							
	with grilles-between-the-glass	PEL-N-233-00674-00001				0.28	0.25	0.47	44							
	with integral grilles	PEL-N-233-00675-00001				0.28	0.25	0.47	44							
11/16"	AdvancedComfort Low-E IG	PEL-N-233-00677-00001	3	3	air	0.28	0.28	0.52	43							
	with grilles-between-the-glass	PEL-N-233-00678-00001				0.28	0.25	0.46	43							
	with integral grilles	PEL-N-233-00679-00001				0.29	0.25	0.46	43							
11/16"	NaturalSun Low-E IG	PEL-N-233-00625-00001	2.5	2.5	air	0.33	0.53	0.61	55							
	with grilles-between-the-glass	PEL-N-233-00626-00001				0.33	0.48	0.54	55							
	with integral grilles	PEL-N-233-00627-00001				0.34	0.48	0.54	55							
11/16"	NaturalSun Low-E IG	PEL-N-233-00629-00001	3	3	air	0.34	0.52	0.60	54							
	with grilles-between-the-glass	PEL-N-233-00630-00001				0.34	0.47	0.53	54							
	with integral grilles	PEL-N-233-00631-00001				0.34	0.47	0.53	54							
11/16"	NaturalSun+ Low-E IG	PEL-N-233-00937-00001	2.5	2.5	air	0.28	0.48	0.59	43							
	with grilles-between-the-glass	PEL-N-233-00938-00001				0.28	0.43	0.53	43							
	with integral grilles	PEL-N-233-00939-00001				0.29	0.43	0.53	43							
11/16"	NaturalSun+ Low-E IG	PEL-N-233-00945-00001	3	3	air	0.29	0.47	0.59	42							
	with grilles-between-the-glass	PEL-N-233-00946-00001				0.29	0.42	0.52	42							
	with integral grilles	PEL-N-233-00947-00001				0.29	0.42	0.52	42							

R-Value = 1/U-Factor
 SHGC = Solar Heat Gain Coefficient
 VLT % = Visible Light Transmission
 CR = Condensation Resistance
 ER = Canadian Energy Rating

(1) Glazing performance values are calculated for Pine using NFRC 100, NFRC 200 and NFRC 500. Thermal performance of other wood species may vary. ENERGY STAR® values are updated to 2023 (Version 7) criteria.

(2) The values shown are based on Canada's updated ENERGY STAR® 2020 initiative.

Visit www.energystar.gov for Energy Star guidelines.

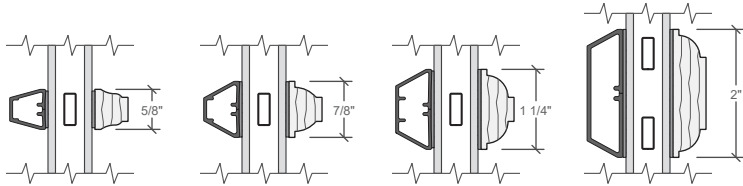




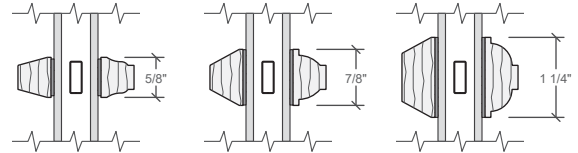
Grille Profiles

Traditional Style Collection - Integral Light Technology®

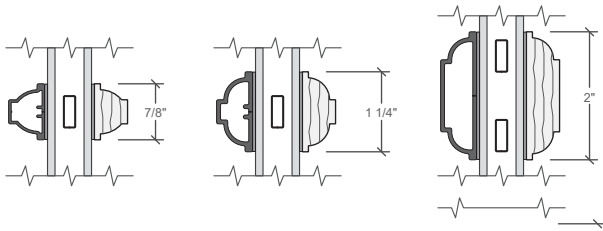
Putty Glaze and Ogee Grilles
Clad Exterior - Wood Interior



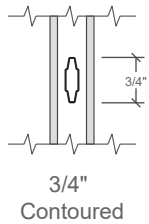
Putty Glaze and Ogee Grilles
Wood Exterior - Wood Interior



Ogee Grilles
Clad Exterior - Wood Interior



Grilles-Between-the-Glass



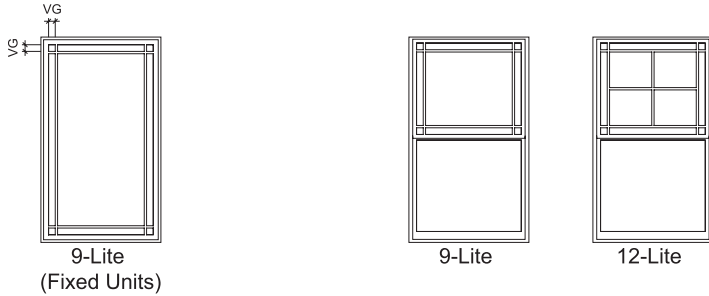
Interior wood ILT grilles available in Pine, Mahogany or Douglas Fir to match complete unit.
Exterior wood ILT grilles available in Pine or Mahogany to match complete unit.



Grille Patterns

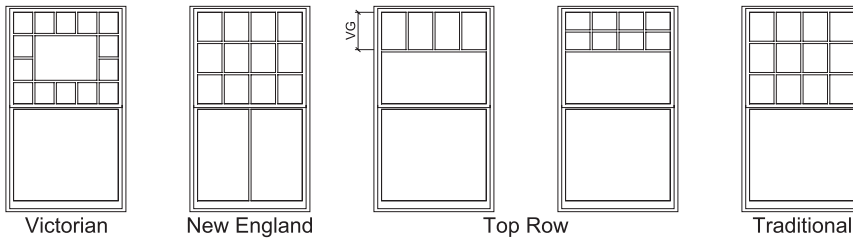
Integral Light Technology® Grilles

Prairie Lite Patterns



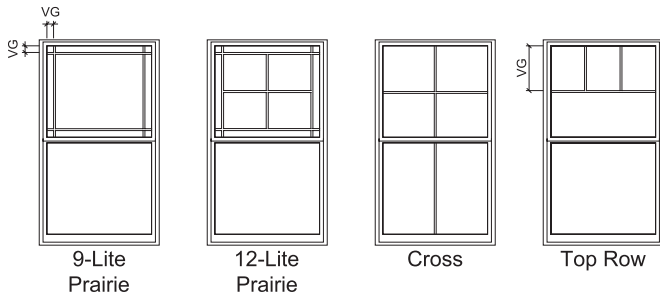
Standard corner lite dimension for Prairie patterns = 2-1/2" VG.
Available in transoms ≥ 1'3" height and width.
Available in all standard and special sizes.

Other Available Patterns



VG = Visible Glass
Lite dimensions noted can vary.
For size and pattern availability contact your local Pella sales representative.

Grilles-Between-the-Glass

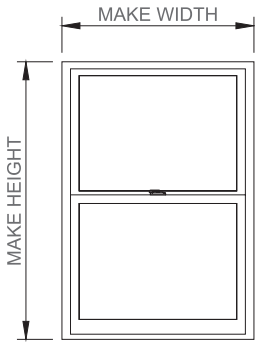


- Prairie**
- Standard corner lite dimension for Prairie patterns = 2-1/2" VG.
 - Available in transoms ≥ 1'3" height and width.
- Cross**
- Minimum DH frame height 35".
 - Horizontal bar will be at 1/2" of the VG height of the top sash.
- Top Row**
- Minimum DH frame height 35".
 - Horizontal bar will be at 1/2" of the VG height of the top sash.

For traditional patterns, see size tables.



Size and Measurement Guidelines



Interior view shown.
Refer to unit cross sections in this section for Make Width and Make Height dimensions.

Make Dimensions

Minimum
13-1/2" W x 23-3/4" H
(343 x 603)

Maximum
48" W x 84" H
(1219 x 2134)

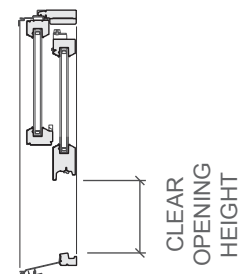
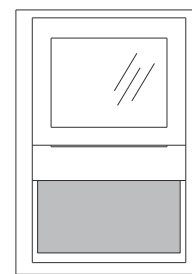
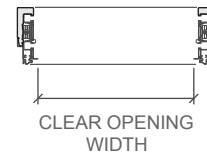
Make Width (MW) = A - 1/2" (rounded to the nearest 1/4")

Make Height (MH) = B - 1/2" (rounded to the nearest 1/4")

Cottage Sash windows must be between ≥ 40-1/2" and ≤ 71-1/2" make height.

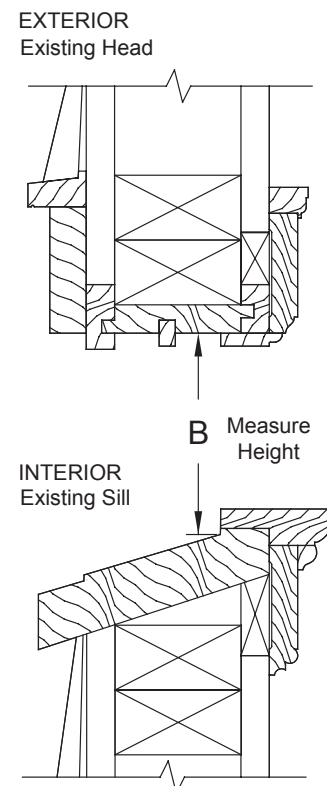
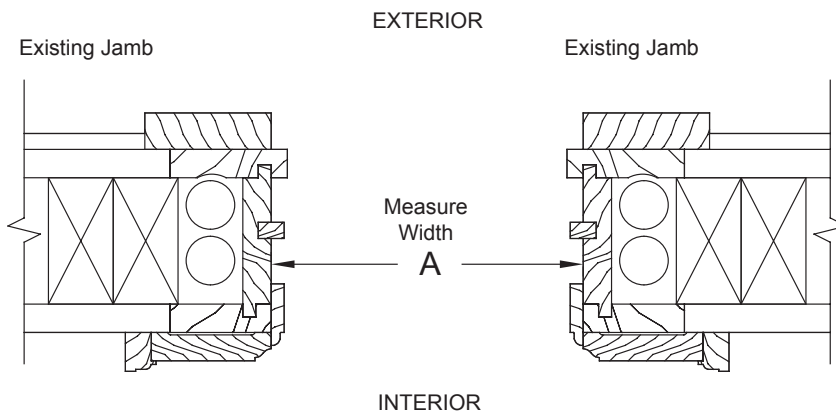
Standard DH - Equal Sash Only - Standard Rail/Stile widths

Vent Units	
Visible Glass	Width = Frame - 5.647"
	Height = ((Frame - 8.6875) ÷ 2) - .75"
Actual Glass	Width = Frame - 4.375"
	Height = ((Frame - 5.983) ÷ 2) - .75"
Clear Opening	COW = Frame Width - 3.6875"
	(Frame Height ÷ 2) - 5.1875"
Vent Area	(COW x COH) ÷ 144



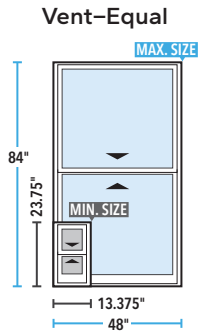
Shaded portion shows vent area.

Measurement guidelines





Make Size Ranges



Make Width = Opening width - 1/2"
(rounded to the nearest 1/4")

Make Height = Opening width - 1/2"
(rounded to the nearest 1/4")

Cottage and custom sash splits also available.

Cottage Sash windows must be between $\geq 40\text{-}1/2"$ and $\leq 71\text{-}1/2"$ make height.

Companion fixed windows available. See Precision Fit Casement window offering for matching glass sight-lines, or see the Fixed Frame Direct Set offering.

- CW40
- CW45
- CW50

Check all applicable local codes for emergency egress requirements.

E Meets min. clear opening 24" H x 20" W and 5.7 ft².

E1 Meets min. clear opening 24" H x 20" W and 5.0 ft².

Standard Sizes

Vent - Equal Sash	84			E1	E1	E	E	E	E	E	E	E	E	E	E	E	E
	77			E1	E1	E	E	E	E	E	E	E	E	E	E	E	E
	71.5					E1	E1	E1	E	E	E	E	E	E	E	E	E
	71						E1	E1	E	E	E	E	E	E	E	E	E
	65.5							E1	E1	E1	E	E	E	E	E	E	E
	65								E1	E1	E1	E	E	E	E	E	E
	61.5									E1	E	E	E	E	E	E	E
	59.5										E1	E	E	E	E	E	E
	59											E1	E	E	E	E	E
	57.5												E1	E	E	E	E
	57																
	53.5																
	53																
	51.5																
	47.5																
	47																
	45.5																
	41.5																
	41																
	37.5																
35.5																	
35																	
		21	23.5	25	27.5	29	29.5	31.5	33	35.5	37	39.5	41	41.5	45	48	

Standard sizes shown, unless noted otherwise. Special sizes are available in 1/4" increments.

Maximum performance when glazed with the appropriate glass. For special size units, use the performance class and grade for the next larger standard size unit.



Detailed Product Description - Aluminum-Clad Exterior

Frame

- Select softwood, immersion treated with Pella's EnduraGuard® wood protection formula in accordance with WDMA I.S.-4. The EnduraGuard formula includes three active ingredients for protection against the effects of moisture, decay, stains from mold and mildew. Plus, an additional ingredient adds protection against termite damage.
- Interior exposed surfaces are [clear pine] [mahogany] [douglas fir].
- Exterior surfaces are clad with aluminum.
- Components are assembled with screws, staples and concealed corner locks.
- Pocket depth is 3-1/4" (83mm).
- Vinyl jamb liner, includes wood/clad inserts.

Sash

- Select softwood, immersion treated with Pella's EnduraGuard® wood protection formula in accordance with WDMA I.S.-4. The EnduraGuard formula includes three active ingredients for protection against the effects of moisture, decay, stains from mold and mildew. Plus, an additional ingredient adds protection against termite damage.
- Interior exposed surfaces are [LX: [clear pine] [mahogany] [douglas fir]] [SE: clear pine].
- Exterior surfaces are clad with extruded aluminum butt-jointed at all corners of the sash with through-stile construction and sealed.
- Sash thickness is 1-7/8" (47mm).
- Sash exterior profile is [ogee] [putty glaze], interior profile is ogee.
- [Double-Hung: Upper sash has surface-mounted wash locks].
- Lower sash has concealed wash locks in lower check rail.
- Sashes tilt for easy cleaning.

Weatherstripping

- Water-stop Santoprene-wrapped foam at head and sill.
- Thermoplastic elastomer bulb with slip-coating set into lower sash for tight contact at check rail.
- Kerf mounted bristle weatherstrip at sill.
- Vinyl-wrapped foam inserted into jamb liner to seal against sides of sash.

Glazing System

- Quality float glass complying with ASTM C 1036.
- Custom and high altitude glazing available.
- Silicone-glazed 11/16" dual-seal insulating glass [[annealed] [tempered]] [[clear] [[Advanced] [SunDefense™] [SunDefense+] [AdvancedComfort] [NaturalSun] [NaturalSun+] Low-E [with argon]] [[bronze] [gray] [green] Advanced Low-E with argon].

Exterior

- Aluminum clad exteriors shall be finished with EnduraClad® protective finish, in a multi-step, baked-on finish.
 - Color is [standard] [feature] [custom]₂
– or –
- Aluminum clad exteriors shall be finished with EnduraClad Plus protective finish with 70% fluoropolymer resin in a multi-step, baked-on finish.
 - Color is [standard] [feature] [custom]₂

Interior

- [Unfinished, ready for site finishing] [factory primed with one coat acrylic latex] [pine: factory prefinished [paint] [stain₂]].

Hardware

- Galvanized block-and-tackle balances are connected to self-locking balance shoes which are connected to the sashes using zinc die cast terminals and concealed within the frame.
- Sash lock is [standard] [historic spoon-style]. Two sash locks on units with make width 37" and greater.
- Optional Sash lift furnished for field installation. Two lifts on units with make width 37" and greater.
- Hardware finish is [baked enamel [Champagne] [White] [Brown] [Matte Black]] [Satin Brass] [Satin Nickel] [Oil-rubbed Bronze] [Distressed Bronze] [Distressed Nickel].

Optional Products

Grilles

- Integral Light Technology® grilles
 - Interior grilles are [5/8" [7/8" [1-1/4" ogee profile that are solid [LX: [pine] [mahogany] [douglas fir]] [SE: pine]. Interior surfaces are [unfinished, ready for site finishing] [factory primed] [pine: factory prefinished [White] [Linen White] [Bright White] [stain₂]].
 - Exterior grilles are [5/8" putty glaze profile] [7/8" [putty glaze] [ogee] profile] [1-1/4" [putty glaze] [ogee] profile] that are extruded aluminum.
 - Patterns are [Traditional] [Prairie] [Top Row] [New England] [Victorian].
 - Insulating glass contains non-glare spacer between the panes of glass.
 - Grilles are adhered to both sides of the insulating glass with VHB acrylic adhesive tape and aligned with the non-glare spacer.
– or –
- Grilles-Between-the-Glass₃
 - Insulating glass contains 3/4" contoured aluminum grilles permanently installed between two panes of glass.
 - Patterns are [Traditional] [9-Lite Prairie] [Cross] [Top Row]
 - Interior color is [White] [Tan₄] [Brown₄] [Putty₄] [Black] [Ivory] [Harvest] [Cordovan] [Brickstone].
 - Exterior color₅ is [standard₂].

Screens

- InView™ Screens
 - [Half-Size] [Full-Size] black vinyl-coated 18/18 mesh fiberglass screen cloth complying with the performance requirements of SMA 1201, set in a [extruded] [standard] aluminum frame fitted to outside of window, supplied complete with all necessary hardware.
 - Spreader bar placed on units > 37" width or 64-1/4" make height.
 - Screen frame finish is baked enamel, color to match window cladding.

Hardware

- Optional factory applied limited opening device available for vent units in stainless steel; nominal 3-3/4" opening. Limiting device concealed from view.
- Optional window opening control device available for field installation. Device allows window to open less than 4" with normal operation, with a release mechanism that allows the sash to open completely. Complies with ASTM F2090-10.

(1) Low-E coated insulating glass is argon-filled (except high altitude). All other insulating glass (including high altitude Low-E) is air-filled.

(2) Contact your local Pella sales representative for current color options.

(3) Available in clear or Low-E insulating glass only.

(4) Tan, Brown and Putty Interior GBG colors are available in single-tone (Brown/Brown, Tan/Tan or Putty/Putty). Other interior colors are also available with Tan or Brown exterior.

(5) Appearance of exterior grille color will vary depending on Low-E coating on glass.



Detailed Product Description - Wood Exterior Sash

Frame

- Select softwood, water-repellent, preservative-treated with EnduraGuard® triple wood protection in accordance with WDMA I.S.-4. EnduraGuard triple protection formula includes water-repellency, three active fungicides and an insecticide applied to the frame.
- Interior exposed surfaces are [pine] [mahogany].
- Exterior surfaces are clad with aluminum.
- Pocket depth is 3-1/4" (83mm).
- Vinyl Jamb liner includes wood / clad inserts.

Sash

- Select softwood, water-repellent, preservative-treated with EnduraGuard triple wood protection in accordance with WDMA I.S.-4. EnduraGuard triple protection formula includes water-repellency, three active fungicides and an insecticide applied to the sash.
- Interior exposed surfaces are [pine] [mahogany].
- Exterior surfaces are [pine] [mahogany].
- Sash thickness is 1-13/16" (46mm).
- Sash exterior profile is putty glaze, interior profile is ogee.
- Upper sash has surface-mounted wash locks.
- Lower sash has concealed wash locks in lower check rail.
- Sashes tilt for easy cleaning.

Weatherstripping

- Water-stop Santoprene-wrapped foam at head and sill.
- Thermoplastic elastomer bulb with slip-coating set into lower sash for tight contact at check rail.
- Kerf mounted bristle weatherstrip at sill.
- Vinyl-wrapped foam inserted into jamb liner or jamb liner components to seal against sides of sash.

Glazing System

- Quality float glass complying with ASTM C 1036.
- Custom and high altitude glazing available.
- Silicone-glazed 11/16" dual-seal insulating glass [[annealed] [tempered]] [[clear] [[Advanced] [SunDefense™] [SunDefense+] [AdvancedComfort] [NaturalSun] [NaturalSun+] Low-E [with argon]] [[bronze] [gray] [green] Advanced Low-E with argon].

Exterior

- [Pine: factory primed with one coat acrylic latex] [Mahogany: factory primed with one coat acrylic latex] [Unfinished, ready for site finishing]].

Interior

- [Unfinished, ready for site finishing] [factory primed with one coat acrylic latex] [pine: factory prefinished [White] [Linen White] [Bright White] [stain z]].

Hardware

- Galvanized block-and-tackle balances are connected to self-locking balance shoes which are connected to the sashes using zinc die cast terminals and concealed within the frame.
- Sash lock is [standard] [historic spoon-style]. Two sash locks on units with make width 37" and greater.
- Optional Sash lift furnished for field installation. Two lifts on units with make width 37" and greater.
- Hardware finish is [baked enamel [Champagne] [White] [Brown] [Matte Black]] [satin brass] [satin nickel] [oil-rubbed bronze] [distressed bronze] [distressed nickel].

Optional Products

Grilles

- Integral Light Technology® grilles
 - Interior grilles are [5/8"] [7/8"] [1-1/4"] ogee profile that are solid [pine] [mahogany]. Interior surfaces are [unfinished, ready for site finishing] [factory primed] [pine: factory prefinished [White] [Linen White] [Bright White] [stain z]].
 - Exterior grilles are [5/8"] [7/8"] [1-1/4"] putty glaze profile [pine] [mahogany], water repellent, preservative-treated in accordance with WDMA I.S.-4, and are factory primed.
 - Patterns are [Traditional] [Prairie] [Top Row] [New England] [Victorian].
 - Insulating glass contains non-glare spacer between the panes of glass.
 - Grilles are adhered to both sides of the insulating glass with VHB acrylic adhesive tape and aligned with the non-glare spacer.
– or –
- Grilles-Between-the-Glass³
 - Insulating glass contains 3/4" contoured aluminum grilles permanently installed between two panes of glass.
 - Patterns are [Traditional] [9-Lite Prairie] [Cross] [Top Row]
 - Interior color is [White] [Tan⁴] [Brown⁴] [Putty⁴] [Black] [Ivory] [Harvest] [Cordovan] [Brickstone].
 - Exterior color⁵ is [standard z].

Screens

- InView™ Screens
 - [Half-Size] [Full-Size] black vinyl-coated 18/18 mesh fiberglass screen cloth complying with the performance requirements of SMA 1201, set in a [extruded] [standard] aluminum frame fitted to outside of window, supplied complete with all necessary hardware.
 - Spreader bar placed on units > 37" width or 64-1/4" make height.
 - Screen frame finish is baked enamel, color to match window cladding.

Hardware

- Optional factory applied limited opening device available for vent units in stainless steel; nominal 3-3/4" opening. Limiting device concealed from view.
- Optional window opening control device available for field installation. Device allows window to open less than 4" with normal operation, with a release mechanism that allows the sash to open completely. Complies with ASTM F2090-10.

(1) Low-E coated insulating glass is argon-filled (except high altitude). All other insulating glass (including high altitude Low-E) is air-filled.

(2) Contact your local Pella sales representative for current color options.

(3) Available in clear or Low-E insulating glass only.

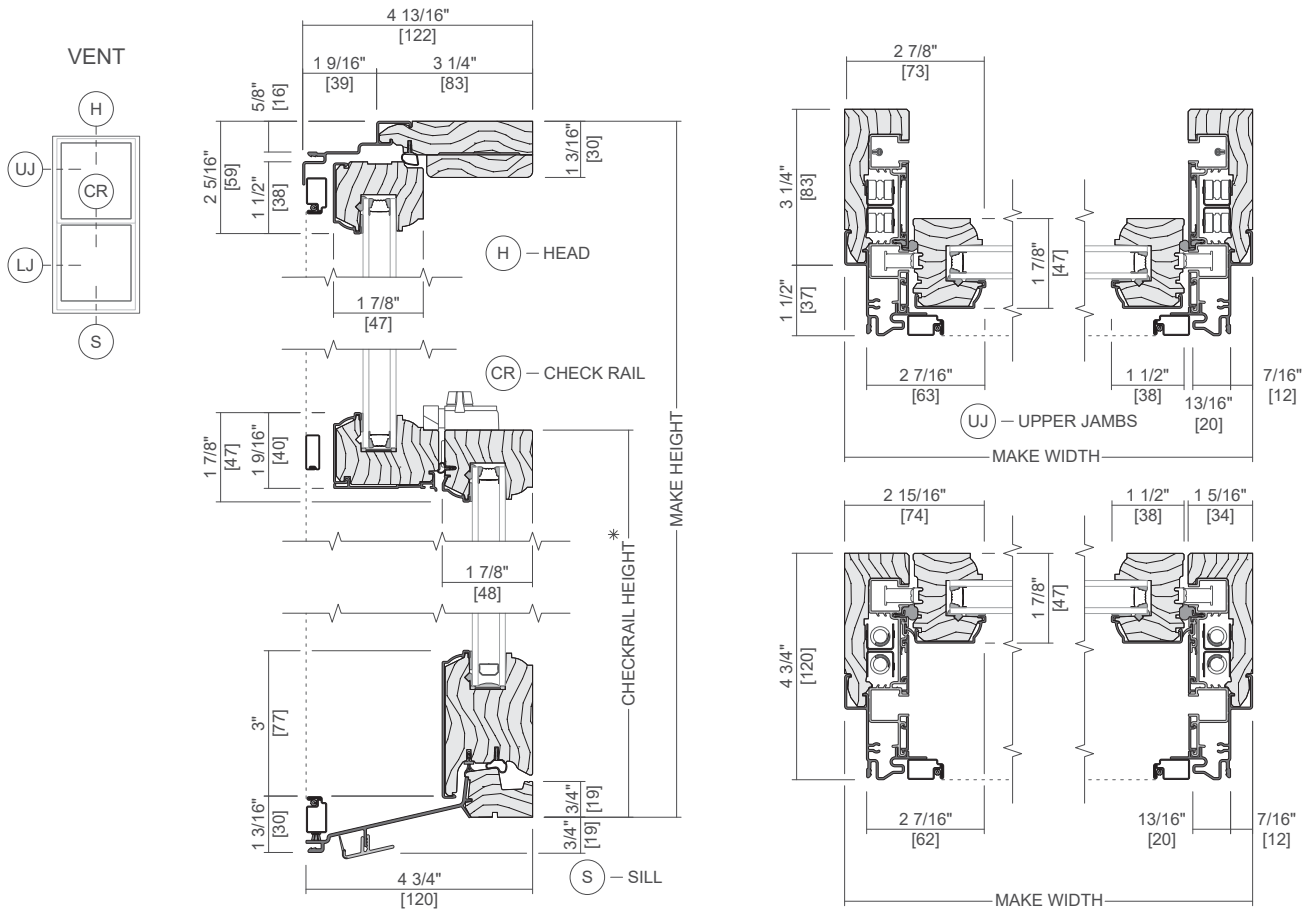
(4) Tan, Brown and Putty Interior GBG colors are available in single-tone (Brown/Brown, Tan/Tan or Putty/Putty). Other interior colors are also available with Tan or Brown exterior.

(5) Appearance of exterior grille color will vary depending on Low-E coating on glass.



Pella® Reserve™ Traditional Precision-Fit Hung Window

Unit Section - Aluminum-Clad Exterior Ogee Exterior Glazing Profile



* Dimension required for ordering units with unequal sash.

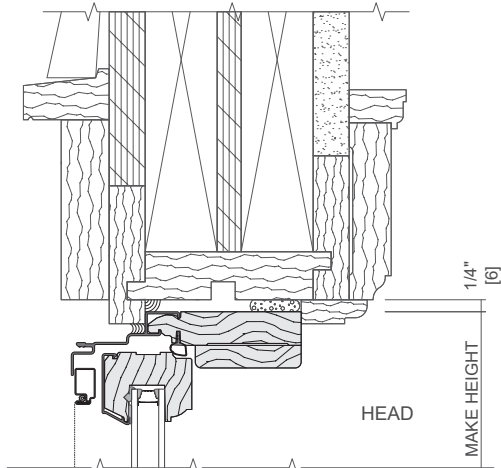
Scale 3" = 1' 0"

All dimensions are approximate.

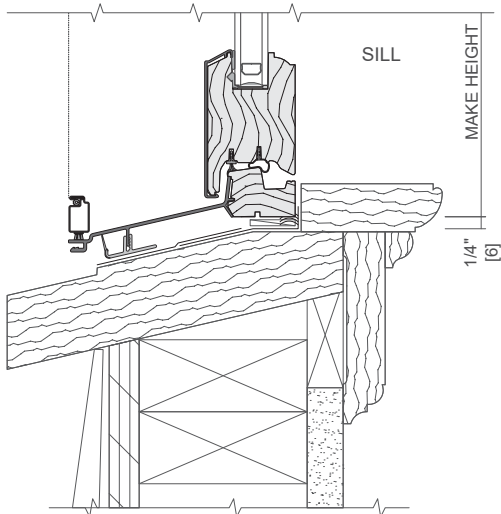


Pella® Reserve™ Traditional Precision-Fit Hung Window

Installation Details - Aluminum-Clad Exterior

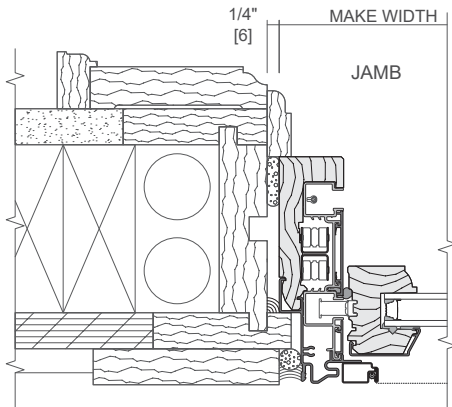


NOTE:
WALL CONSTRUCTION AND OLD DOUBLE-HUNG FRAME SHOWN ARE EXISTING; OLD DOUBLE-HUNG SASH HAS BEEN REMOVED. REFER TO THE APPROPRIATE PELLA INSTALLATION INSTRUCTION FOR COMPLETE STEP BY STEP INSTRUCTIONS. SHIM AND PLUMB UNITS AS REQUIRED. SEAL UNIT TO EXTERIOR / BLIND STOP.



SEAL THE UNIT TO EXISTING STOOL AND WINDOW SILL. SEAL ADJUSTABLE SILL ADAPTER TO EXISTING WOOD SILL. LEVEL UNITS AS REQUIRED.

NOTE:
THE ADJUSTABLE SILL ADAPTER MAY BE REMOVED WHEN THE EXISTING WINDOW SILL HAS A SLOPE OF 12 DEGREES OR LESS.



INSULATE ALL VOIDS AT WINDOW PERIMETER (BY OTHERS). SEAL UNIT TO EXTERIOR / BLIND STOP.

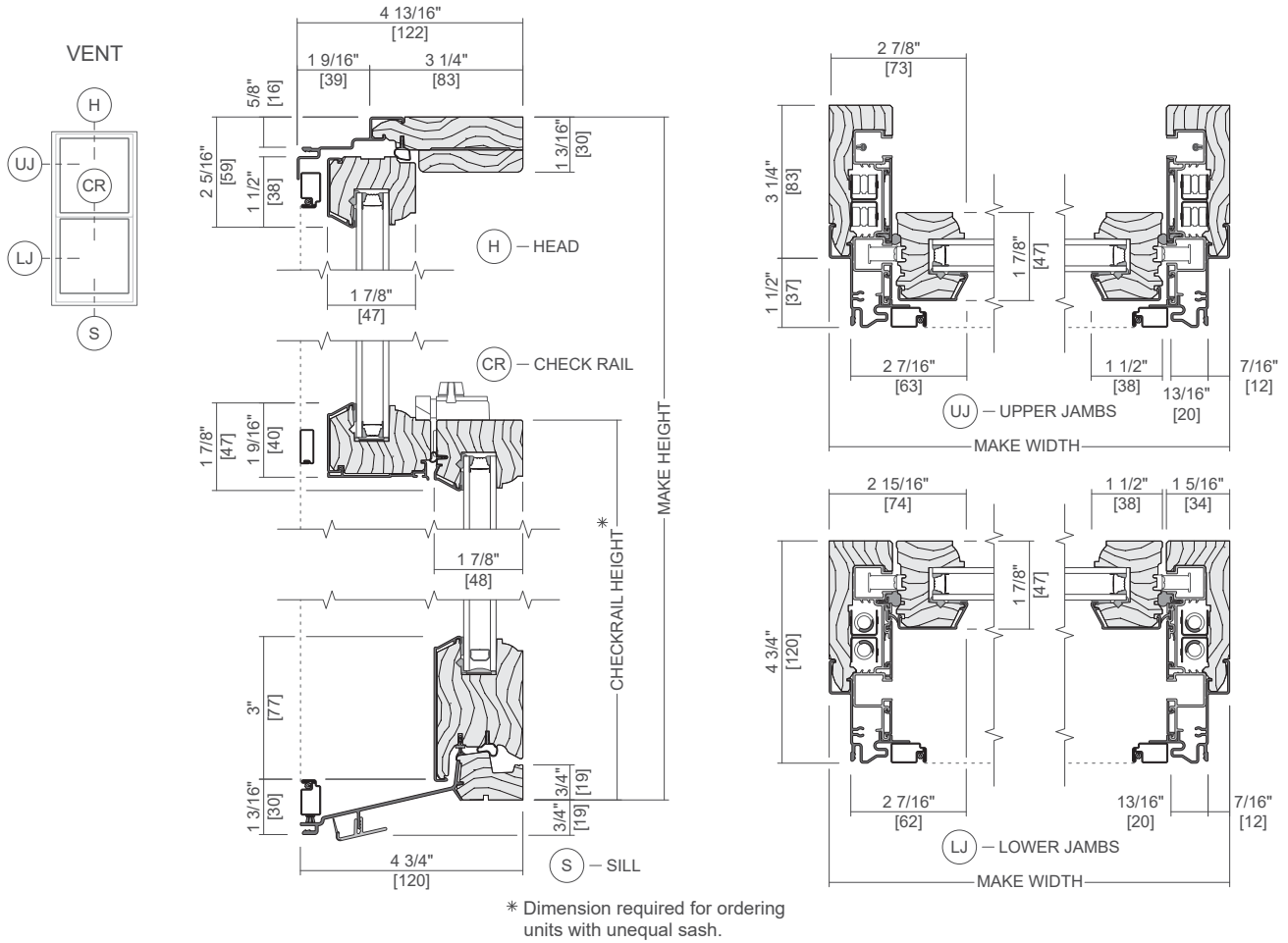
Scale 3" = 1' 0"

All dimensions are approximate.



Pella® Reserve™ Traditional Precision-Fit Hung Window

Unit Section - Aluminum-Clad Exterior Putty Exterior Glazing Profile



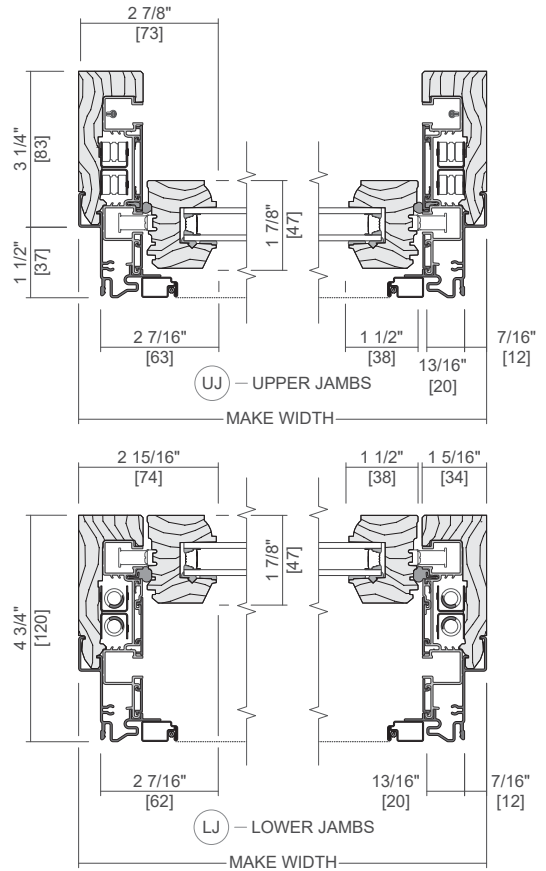
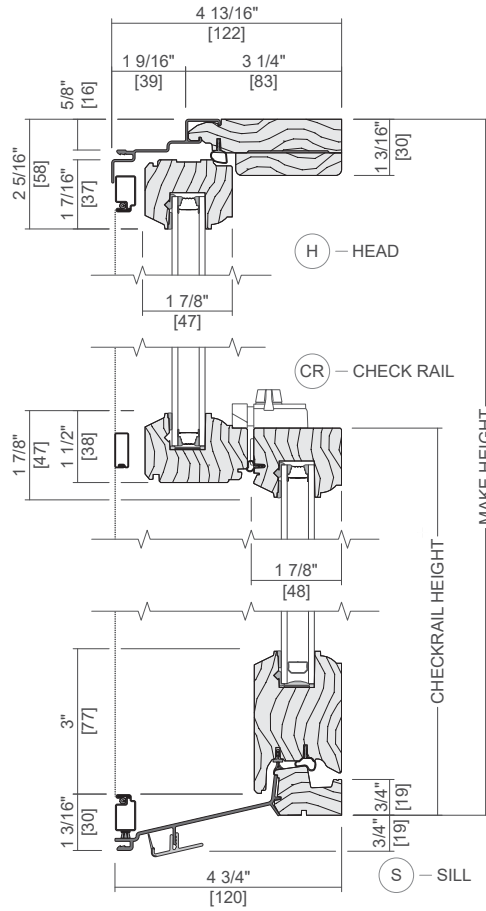
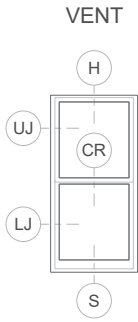
Scale 3" = 1' 0"

All dimensions are approximate.



Pella® Reserve™ Traditional Precision-Fit Hung Window

Unit Section - Wood Exterior Sash Putty Exterior Glazing Profile



Dimension required for ordering units with unequal sash.

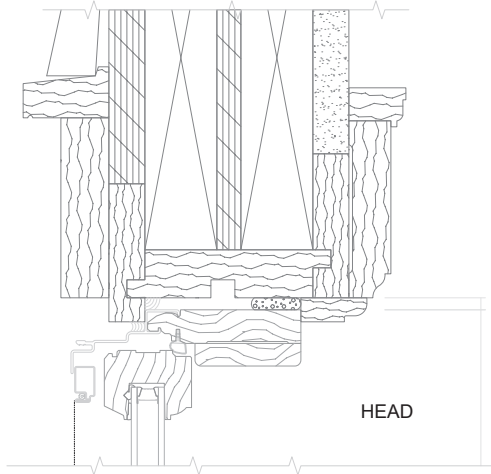
Scale 3" = 1' 0"

All dimensions are approximate.



Pella® Reserve™ Traditional Precision-Fit Hung Window

Installation Details - Wood Exterior Sash

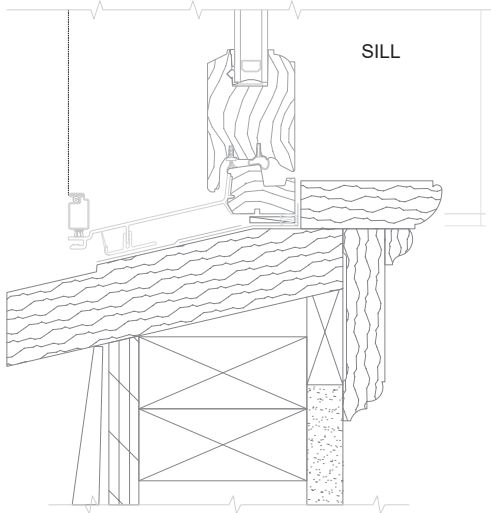


NOTE:

WALL CONSTRUCTION AND OLD DOUBLE-HUNG FRAME SHOWN ARE EXISTING; OLD DOUBLE-HUNG SASH HAS BEEN REMOVED. REFER TO THE APPROPRIATE PELLA INSTALLATION INSTRUCTION FOR COMPLETE STEP BY STEP INSTRUCTIONS.

SHIM AND PLUMB UNITS AS REQUIRED.

SEAL UNIT TO EXTERIOR / BLIND STOP.



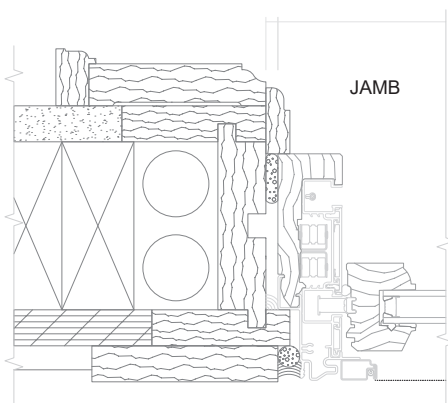
SEAL THE UNIT TO EXISTING STUOL AND WINDOW SILL.

SEAL ADJUSTABLE SILL ADAPTER TO EXISTING WOOD SILL.

LEVEL UNITS AS REQUIRED.

NOTE:

THE ADJUSTABLE SILL ADAPTER MAY BE REMOVED WHEN THE EXISTING WINDOW SILL HAS A SLOPE OF 12 DEGREES OR LESS.



INSULATE ALL VOIDS AT WINDOW PERIMETER (BY OTHERS).

SEAL UNIT TO EXTERIOR / BLIND STOP.

Scale 3" = 1' 0"

All dimensions are approximate.