



Product Selection Guide

Size and Performance Data.....SD-2

Features and Options.....SD-4

Combination Assemblies.....SD-5

Glazing Performance.....SD-6

Impact-Resistant Glass.....SD-9

Grille Types

Grille Profiles.....SD-10

Grille Patterns.....SD-11

Size Tables.....SD-12

Special Sizes and Dimensions.....SD-18

Design Data.....SD-19

Detailed Product Descriptions.....SD-21

Unit Sections.....SD-22

Wood Collection.....SD-22

Aluminum-Clad Exterior.....SD-26

Handle Hardware Dimensions.....SD-32

Supporting documents for this product:

Test Reports:

https://media.pella.com/professional/adm/CertificationReports/Test_Reports_AS-Clad.pdf

CSI Specs (readable using Microsoft Word or other text editing application):

https://media.pella.com/professional/adm/Wood-CSI_Specs/08262-PR.rtf

AIA Masterspec

(readable using Microsoft Word or other text editing application):

[AIA Masterspec: https://media.pella.com/professional/adm/Wood-CSI_Specs/Masterspec/085200_fl.doc](https://media.pella.com/professional/adm/Wood-CSI_Specs/Masterspec/085200_fl.doc)

Detailed Product Description

(readable using Microsoft Word or other text editing application):

<https://media.pella.com/professional/adm/Clad-Wood/PR-SlidingDoor.rtf>

Size Tables (requires appropriate CAD software to read and use):

https://media.pella.com/professional/adm/Clad-Wood/AS-Res-SPD-Elev_D.dwg

CAD cross sections (requires appropriate CAD software to read and use):

https://media.pella.com/professional/adm/Clad-Wood/AS-RES-SPD-Details_D.dwg

3D & BIM (requires appropriate software to read and use):

https://media.pella.com/professional/adm/RevitFiles/PR-Revit/Door-Sliding_Door-Pella-Reserve-Traditional.zip

Sketchup (requires appropriate software to read and use):

https://media.pella.com/professional/adm/Clad-Wood/PellaSKP_PellaReserve_Traditional_Sliding_Door.zip

Combination Recommendations:

https://media.pella.com/professional/adm/Clad-Wood/D_Combinations.pdf

Installation Details:

https://media.pella.com/professional/adm/Clad-Wood/F_InstallationDetails.pdf

Impact-Resistant Sliding Door, Complete Product Information:

https://media.pella.com/professional/adm/Clad-Wood/Pella-ImpactResistant_SlidingDoor.pdf

The information published in this document is believed to be accurate at the time of publication. However, because we are constantly working to improve our products, specifications are subject to change without notice. Consult your local Pella representative for up-to-date product information.

Microsoft and Microsoft Word are registered trademarks of Microsoft Corp.

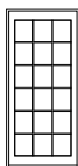


Pella® Reserve™ Traditional Sliding Patio Door

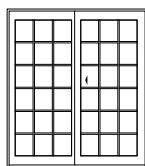
Size and Performance Data

Sizes	
Standard Door Sizes	•
Standard Fixed Frame Direct Set Transom Sizes	•
Fixed Sash and Frame	•
Wide Stile Fixed Sash and Frame	•
Special Sizes	•
Custom Sizes	•
One-Panel Door Width (Fixed - O)	
2' 7"	•
3' 1"	•
3' 7"	•
4' 1"	•
5' 1"	•
Two-Panel Door Width (Fixed-Vent or Vent-Fixed – OX or XO)	
5'	•
6'	•
7'	•
8'	•
9' 11"	•
Three-Panel Door Width (Fixed-Vent-Fixed – OXO)	
7' 6"	•
9'	•
10' 6"	•
12'	•
15'	•
Four-Panel Door Width (Fixed-Vent-Vent-Fixed – OXXO)	
9' 9"	•
11' 9"	•
15' 9"	•
19' 8"	•
Door Heights	
6' 7-1/2"	•
6' 10"	•
8'	•
9'	•
10'	•

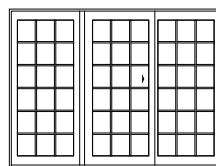
One-Panel



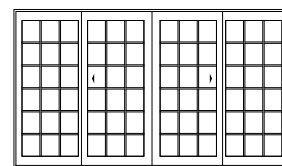
Two-Panel



Three-Panel



Four-Panel



(-) = Not Available

Three-Panel, Fixed-Vent-Fixed (OXO) combination doors also available as OOX and XO combinations.

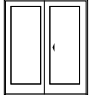


Pella® Reserve™ Traditional Sliding Patio Door

Size and Performance Data

Performance ₁	
Standard	
Meets or Exceeds AAMA/WDMA Ratings	SD-LC30 – LC70 Hallmark Certified
Air Infiltration (cfm/ft ² of frame @ 1.57 psf wind pressure)	0.10
Water Resistance	4.59 – 10.65 psf
Design Pressure	30 – 70 psf
Impact-Resistant Glass	
7/8" Insulated Glass PVB Meets or Exceeds AAMA/WDMA Ratings	Up to DP70 Wind Zone 4 - Missile D Hallmark Certified FPAS - HVHZ Approved
Other Performance Criteria	
Forced Entry Resistance Level (Minimum Security Grade) ₂	40
Operating Force (lb.) Initiate Motion / Maintain Motion (of Hallmark tested size and glazing) ₃	30/20

Sound Transmission Class / Outdoor-Indoor Transmission Class

Product	Frame Size Tested ₄	Glazing System				STC Rating	OITC Rating
		Overall Glazing Thickness	Exterior Glass Thickness	Interior Glass Thickness	Third Pane Thickness		
Clad Sliding French Door 	WITHOUT GRILLES						
	71-1/4" x 81-1/2" (Fixed-Vent)	13/16"	3 mm	3 mm	–	31	25
	71-1/4" x 81-1/2" (Fixed-Vent)	13/16"	5 mm	7.6mm PVB	–	35	30
	71-1/4" x 81-1/2" (Fixed-Vent)	13/16"	4 mm	6 mm	–	34	30
	71-1/4" x 81-1/2" (Fixed-Vent)	7/8"	8.6 mm PVB	5 mm	–	34	30
	71" x 81-1/2" (Fixed-Vent)	1"	4 mm	4 mm	4 mm	32	28

(1) Maximum performance for single unit when glazed with the appropriate glass thickness. See Design Data pages in this section for specific product performance class and grade values.

(2) The higher the level, the greater the product's ability to resist forced entry.

(3) Glazing configurations may result in higher operational forces.

(4) ASTM E 1425 defines standard sizes for acoustical testing. Ratings achieved at that size are representative of all sizes of the same configuration.



Pella® Reserve™ Traditional Sliding Patio Door

Features and Options

Standard	Options / Upgrades
Glazing	
Glazing Type	
Dual-Pane Insulating Glass	Triple-pane Insulating Glass
Insulated Glass Options/Low-E Types	
Advanced Low-E	SunDefense™ Low-E
	SunDefense+ Low-E
	AdvancedComfort Low-E
	NaturalSun Low-E
	NaturalSun+ Low-E
	Clear (no Low-E coating)
Additional Glass Options	
Tempered Glass	Obscure Glass ₁
	Tinted Glass (Bronze, Gray and Green)
	Non-Impact Laminated
	Products with Impact-Resistant Laminated Dual-Pane 7/8" Insulating Glass
Gas Fill/High Altitude	
Argon	High altitude
Wood Types	
Pine	Mahogany, Douglas Fir
Exterior	
EnduraClad® aluminum-clad	EnduraClad Plus aluminum-clad
Cladding Colors	
Standard colors	Feature Colors, Custom Colors ₁
Interior	
Unfinished wood	Factory primed ₂ , Factory prefinished paint ₂ , Factory prefinished stain ₂
Hardware	
Interior	
Champagne, White or Brown or Matte Black	Satin Brass, Satin Nickel or Oil-Rubbed Bronze, Distressed Bronze, Distressed Nickel
Exterior	
Handle matches cladding	—
Locking system	
Multi-Point	—
Key Lock	—
Foot Bolt	—
Grilles	
Integral Light Technology® Grilles	
—	Traditional, Prairie, Top Row, Cross, New England, Victorian, Custom
Grilles-Between-the-Glass	
—	Traditional, Prairie, Top Row ₁ , Cross, Custom-Equally Divided
Screens₃	
Flat Screen	Rolscreen® Retractable

(1) Contact your local Pella sales representative for current designs and color options.

(2) Not available on Mahogany and Douglas Fir interiors.

(3) Rolscreen available in OX, XO, OXO doors only.

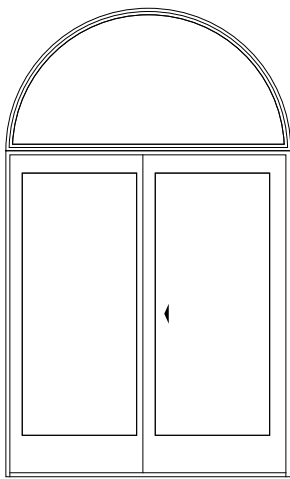


Combination Assemblies

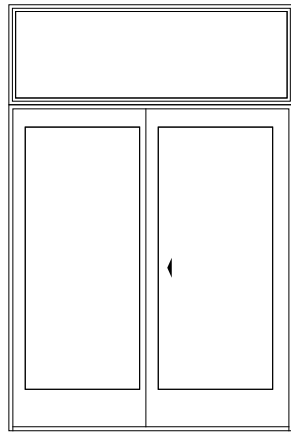
Combinations are a great way to create visual interest in any project. A combination is an assembly formed by two or more separate windows or doors whose frames are mullioned together by a combination or reinforcing mullion.

Pella window combinations are available in an endless variety of arrangements. See the Combinations Recommendations document for requirements and limitations.

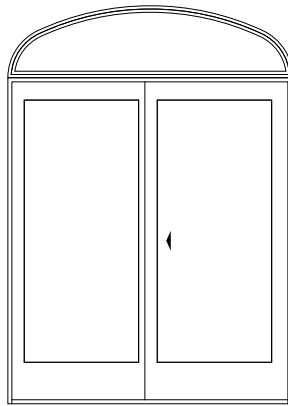
Contact your local Pella sales representative for more information.



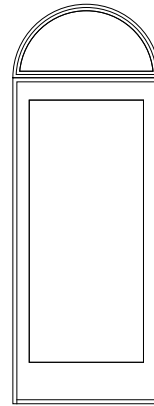
Half Circle over
Sliding French Fixed/Vent



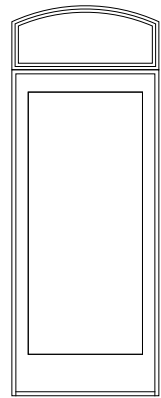
Transom over
Sliding French Fixed/Vent



Elliptical over
Sliding French Fixed/Vent



Half Circle
over Fixed



Arch Head
over Fixed



Pella® Reserve™ Traditional Sliding Patio Door

Glazing Performance - Total Unit

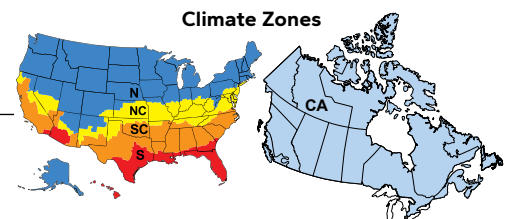
Glazing Thickness	Type of Glazing	NFRC Certified Product #	Glass (mm)		Gap Fill	Performance Values ¹				Shaded Areas Meet ENERGY STAR® Performance Criteria in Zones Shown					
			Ext.	Int.		U-Factor	SHGC	VLT %	CR	U. S.				Canada ₂	
										Zone				ER	Zone
Dual-Pane French Aluminum-Clad Exterior (O, OX/XO, OXO and OXXO)											N	NC	SC	S	CA
13/16"	Clear IG	PEL-N-237-00917-00001	3	3	Air	0.42	0.48	0.50	43						
	with grilles-between-the-glass	PEL-N-237-00918-00001				0.42	0.42	0.43	43						
	with integral grilles	PEL-N-237-00919-00001				0.42	0.42	0.43	43						
13/16"	Advanced Low-E IG	PEL-N-237-00993-00001	3	3	Argon	0.29	0.23	0.43	56						
	with grilles-between-the-glass	PEL-N-237-00994-00001				0.29	0.20	0.37	56						
	with integral grilles	PEL-N-237-00995-00001				0.29	0.20	0.37	56						
13/16"	SunDefense™ Low-E IG	PEL-N-237-00945-00001	3	3	Argon	0.28	0.17	0.39	57			SC	S		
	with grilles-between-the-glass	PEL-N-237-00946-00001				0.28	0.15	0.34	57			SC	S		
	with integral grilles	PEL-N-237-00947-00001				0.29	0.15	0.34	57						
13/16"	SunDefense+ Low-E IG	PEL-N-237-01849-00001	3	3	argon	0.25	0.17	0.38	46	N	NC	SC	S		
	with grilles-between-the-glass	PEL-N-237-01850-00001				0.25	0.15	0.33	46	N	NC	SC	S		
	with integral grilles	PEL-N-237-01851-00001				0.26	0.15	0.33	46	N	NC	SC	S		
13/16"	AdvancedComfort Low-E IG	PEL-N-237-01089-00001	3	3	Argon	0.25	0.23	0.42	46	N	NC	SC	S		
	with grilles-between-the-glass	PEL-N-237-01090-00001				0.25	0.20	0.36	46	N	NC	SC	S		
	with integral grilles	PEL-N-237-01091-00001				0.26	0.20	0.36	46	N	NC	SC	S		
13/16"	NaturalSun Low-E IG	PEL-N-237-01137-00001	3	3	Argon	0.29	0.42	0.48	56						
	with grilles-between-the-glass	PEL-N-237-01138-00001				0.29	0.37	0.41	56						
	with integral grilles	PEL-N-237-01139-00001				0.30	0.37	0.41	56						
13/16"	NaturalSun+ Low-E IG	PEL-N-237-01801-00001	3	3	argon	0.26	0.39	0.47	45	N	NC				
	with grilles-between-the-glass	PEL-N-237-01802-00001				0.26	0.34	0.40	45	N	NC				
	with integral grilles	PEL-N-237-01803-00001				0.27	0.34	0.40	45						
Dual-Pane Tinted Glazing															
13/16"	Bronze Advanced Low-E IG	PEL-N-237-01041-00001	5	3	Argon	0.28	0.21	0.27	57			SC	S		
	with grilles-between-the-glass	PEL-N-237-01042-00001				0.28	0.18	0.24	57			SC	S		
	with integral grilles	PEL-N-237-01043-00001				0.29	0.18	0.24	57						
13/16"	Gray Advanced Low-E IG	PEL-N-237-01057-00001	5	3	Argon	0.28	0.19	0.24	57			SC	S		
	with grilles-between-the-glass	PEL-N-237-01058-00001				0.28	0.17	0.20	57			SC	S		
	with integral grilles	PEL-N-237-01059-00001				0.29	0.17	0.20	57						
13/16"	Green Advanced Low-E IG	PEL-N-237-01073-00001	5	3	Argon	0.28	0.23	0.37	57			SC	S		
	with grilles-between-the-glass	PEL-N-237-01074-00001				0.28	0.20	0.32	57			SC	S		
	with integral grilles	PEL-N-237-01075-00001				0.29	0.20	0.32	57						
Dual-Pane High Altitude Glazing															
13/16"	Advanced Low-E IG	PEL-N-237-00989-00001	3	3	Air	0.31	0.23	0.43	54						
	with grilles-between-the-glass	PEL-N-237-00990-00001				0.31	0.20	0.37	54						
	with integral grilles	PEL-N-237-00991-00001				0.32	0.20	0.37	54						
13/16"	SunDefense Low-E IG	PEL-N-237-00941-00001	3	3	Air	0.31	0.17	0.39	54						
	with grilles-between-the-glass	PEL-N-237-00942-00001				0.31	0.15	0.34	54						
	with integral grilles	PEL-N-237-00943-00001				0.32	0.15	0.34	54						
13/16"	SunDefense+ Low-E IG	PEL-N-237-01845-00001	3	3	air	0.27	0.17	0.38	43			SC	S		
	with grilles-between-the-glass	PEL-N-237-01846-00001				0.27	0.15	0.33	43			SC	S		
	with integral grilles	PEL-N-237-01847-00001				0.28	0.15	0.33	43			SC	S		
13/16"	AdvancedComfort Low-E IG	PEL-N-237-01085-00001	3	3	Air	0.27	0.23	0.42	43			SC	S		
	with grilles-between-the-glass	PEL-N-237-01086-00001				0.27	0.20	0.36	43			SC	S		
	with integral grilles	PEL-N-237-01087-00001				0.28	0.20	0.36	43			SC	S		
13/16"	NaturalSun Low-E IG	PEL-N-237-01133-00001	3	3	Air	0.32	0.42	0.48	53						
	with grilles-between-the-glass	PEL-N-237-01134-00001				0.32	0.37	0.41	53						
	with integral grilles	PEL-N-237-01135-00001				0.33	0.37	0.41	53						
13/16"	NaturalSun+ Low-E IG	PEL-N-237-01797-00001	3	3	air	0.27	0.39	0.47	38						
	with grilles-between-the-glass	PEL-N-237-01798-00001				0.27	0.33	0.40	38						
	with integral grilles	PEL-N-237-01799-00001				0.28	0.33	0.40	38						

R-Value = 1/U-Factor
 SHGC = Solar Heat Gain Coefficient
 VLT % = Visible Light Transmission
 CR = Condensation Resistance
 ER = Canadian Energy Rating

(1) Glazing performance values are calculated for Pine using NFRC 100, NFRC 200 and NFRC 500. Thermal performance of other wood species may vary. ENERGY STAR® values are updated to 2023 (Version 7) criteria.

(2) The values shown are based on Canada's updated ENERGY STAR® 2020 initiative.

Visit www.energystar.gov for Energy Star guidelines.





Pella® Reserve™ Traditional Sliding Patio Door

Glazing Performance - Total Unit

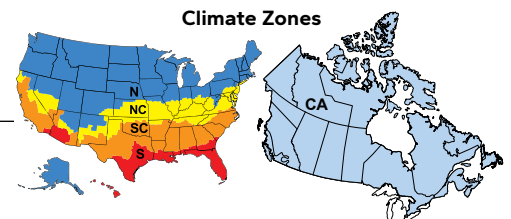
Glazing Thickness	Type of Glazing	NFRC Certified Product #	Glass (mm)			Gap Fill	Performance Values ¹				Shaded Areas Meet ENERGY STAR® Performance Criteria in Zones Shown					
			Ext.	Middle	Int.		U-Factor	SHGC	VLT %	CR	U. S.				Canada ₂	
											Zone				ER	Zone
Triple-Pane French Aluminum-Clad Exterior (O, OX/XO, OXO and OXXO)											N	NC	SC	S		CA
1"	Advanced Low-E IG	PEL-N-237-01337-00001	4	4	4	Argon	0.25	0.21	37	62	N	NC	SC	S		
	with grilles-between-the-glass	PEL-N-237-01338-00001					0.26	0.18	32	62	N	NC	SC	S		
	with integral grilles	PEL-N-237-01339-00001					0.25	0.18	32	62	N	NC	SC	S		
1"	SunDefense™ Low-E IG	PEL-N-237-01325-00001	4	4	4	Argon	0.25	0.16	34	62	N	NC	SC	S		
	with grilles-between-the-glass	PEL-N-237-01326-00001					0.26	0.14	29	62	N	NC	SC	S		
	with integral grilles	PEL-N-237-01327-00001					0.25	0.14	29	62	N	NC	SC	S		
1"	NaturalSun Low-E IG	PEL-N-237-01349-00001	4	4	4	Argon	0.25	0.34	42	62	N	NC				
	with grilles-between-the-glass	PEL-N-237-01350-00001					0.26	0.29	36	62	N	NC				
	with integral grilles	PEL-N-237-01351-00001					0.26	0.29	36	62	N	NC				
Triple-Pane High Altitude Glazing																
1"	Advanced Low-E IG	PEL-N-237-01333-00001	4	4	4	Air	0.28	0.21	37	59			SC	S		
	with grilles-between-the-glass	PEL-N-237-01334-00001					0.29	0.18	32	59						
	with integral grilles	PEL-N-237-01335-00001					0.29	0.18	32	59						
1"	SunDefense Low-E IG	PEL-N-237-01321-00001	4	4	4	Air	0.28	0.16	34	59			SC	S		
	with grilles-between-the-glass	PEL-N-237-01322-00001					0.29	0.14	29	59						
	with integral grilles	PEL-N-237-01323-00001					0.29	0.14	29	59						
1"	NaturalSun Low-E IG	PEL-N-237-01345-00001	4	4	4	Air	0.28	0.34	42	59						
	with grilles-between-the-glass	PEL-N-237-01346-00001					0.29	0.29	36	59						
	with integral grilles	PEL-N-237-01347-00001					0.29	0.29	36	59						

R-Value = 1/U-Factor
 SHGC = Solar Heat Gain Coefficient
 VLT % = Visible Light Transmission
 CR = Condensation Resistance
 ER = Canadian Energy Rating

(1) Glazing performance values are calculated for Pine using NFRC 100, NFRC 200 and NFRC 500. Thermal performance of other wood species may vary. ENERGY STAR® values are updated to 2023 (Version 7) criteria.

(2) The values shown are based on Canada's updated ENERGY STAR® 2020 initiative.

Visit www.energystar.gov for Energy Star guidelines.





Pella® Reserve™ Traditional Sliding Patio Door

Glazing performance - Total Unit Impact Resistant Glass

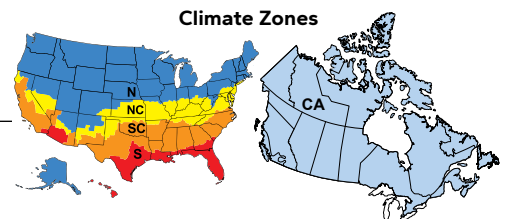
Glazing Thickness	Type of Glazing	NFRC Certified Product #	Glass (mm)		Gap Fill	Performance Values ₁				Shaded Areas Meet ENERGY STAR® Performance Criteria in Zones Shown					
			Ext.	Int.		U-Factor	SHGC	VLT %	CR	U. S.		Canada ₂			
										Zone		ER	Zone		
Laminated Impact-Resistant Glazing (O and OX/XO)											N	NC	SC	S	CA
13/16"	Clear IG PVB	PEL-N-237-01273-00001	8	3	Air	0.43	0.41	0.48	42						
	with grilles-between-the-glass	PEL-N-237-01274-00001	8	3		0.44	0.35	0.42	42						
	with integral grilles	PEL-N-237-01275-00001	8	3		0.44	0.35	0.42	42						
13/16"	Advanced Low-E IG PVB	PEL-N-237-01293-00001	8	5	Argon	0.30	0.23	0.41	54						
	with grilles-between-the-glass	PEL-N-237-01294-00001	8	5		0.32	0.20	0.36	54						
	with integral grilles	PEL-N-237-01295-00001	8	5		0.31	0.20	0.36	54						
13/16"	SunDefense™ Low-E IG PVB	PEL-N-237-01289-00001	8	5	Argon	0.30	0.18	0.38	54						
	with grilles-between-the-glass	PEL-N-237-01290-00001	8	5		0.32	0.16	0.33	54						
	with integral grilles	PEL-N-237-01291-00001	8	5		0.31	0.16	0.33	54						
Tinted Laminated Impact-Resistant Glazing															
13/16"	Bronze IG PVB	PEL-N-237-01277-00001	8	5	Air	0.43	0.34	0.36	42						
	with grilles-between-the-glass	PEL-N-237-01278-00001	8	5		0.44	0.30	0.31	42						
	with integral grilles	PEL-N-237-01279-00001	8	5		0.44	0.30	0.31	42						
13/16"	Gray IG PVB	PEL-N-237-01281-00001	8	5	Air	0.43	0.32	0.32	42						
	with grilles-between-the-glass	PEL-N-237-01282-00001	8	5		0.44	0.28	0.28	42						
	with integral grilles	PEL-N-237-01283-00001	8	5		0.44	0.28	0.28	42						
13/16"	Green IG PVB	PEL-N-237-01285-00001	8	5	Air	0.43	0.34	0.45	42						
	with grilles-between-the-glass	PEL-N-237-01286-00001	8	5		0.44	0.29	0.38	42						
	with integral grilles	PEL-N-237-01287-00001	8	5		0.44	0.29	0.38	42						

R-Value = 1/U-Factor
 SHGC = Solar Heat Gain Coefficient
 VLT % = Visible Light Transmission
 CR = Condensation Resistance
 ER = Canadian Energy Rating

(1) Glazing performance values are calculated for Pine using NFRC 100, NFRC 200 and NFRC 500. Thermal performance of other wood species may vary. ENERGY STAR® values are updated to 2023 (Version 7) criteria.

(2) The values shown are based on Canada's updated ENERGY STAR® 2020 initiative.

Visit www.energystar.gov for Energy Star guidelines.



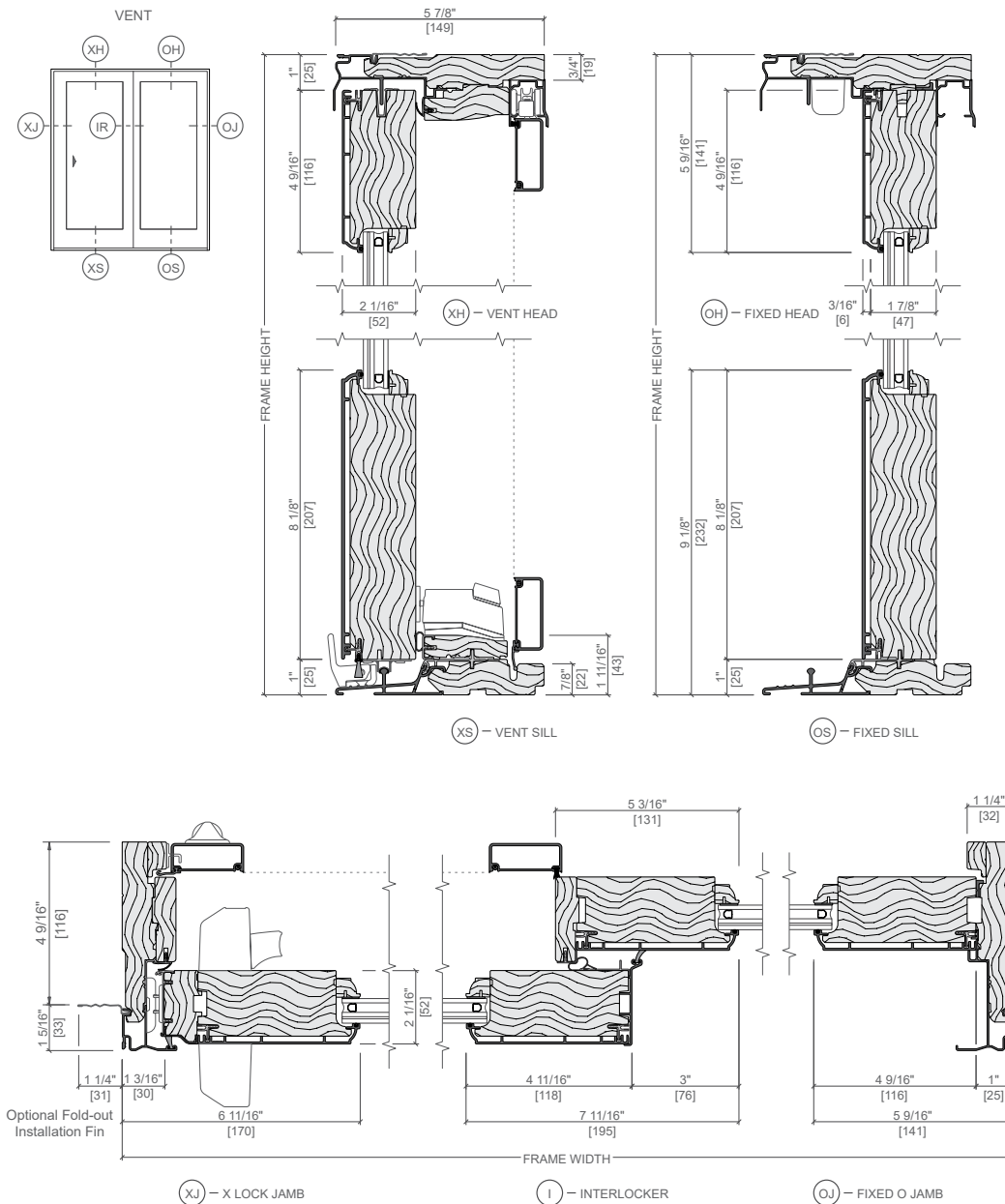


Pella® Reserve™ Traditional Sliding Patio Door

Impact-Resistant Glass

For a complete list of ratings, refer to the Impact-Resistant product section.

Product	Florida Product Approval System ¹		Hallmark Certified
	Design Pressure	FPAS	
Vent Units			
7/8" Insulated Glass PVB	+70 / -70	FL12459	411-H-1490
Fixed Units			
7/8" Insulated Glass PVB	+70 / -70	FL12459	411-H-1490



(-) = Not Applicable

(1) Units are tested for air/water/structural and impact-resistance, and certified for wind zone 4, large missile rating D.

For clear opening, vent area, visible glass, and frame area, clad Design Data pages.

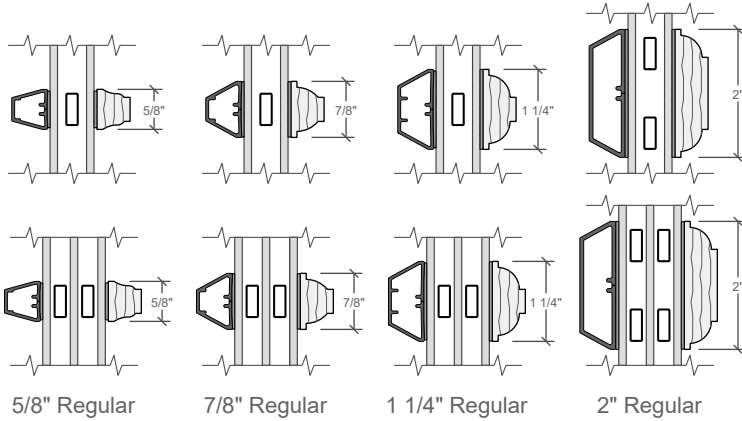
Transoms, Fixed-Vent-Fixed (OXO) and Fixed-Vent-Vent-Fixed (OXXO) doors are not available with impact-resistant glazing.



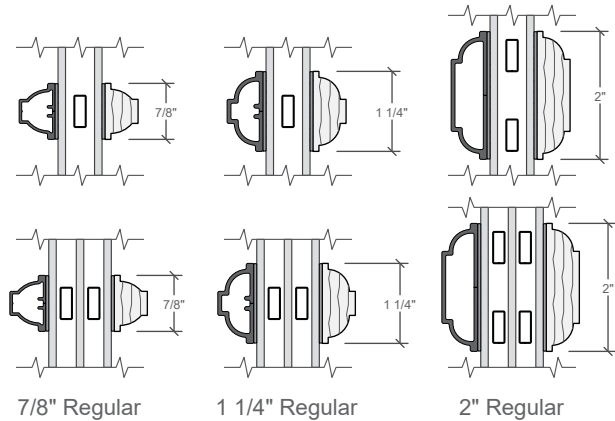
Grille Profiles

Traditional Style Collection - Integral Light Technology®

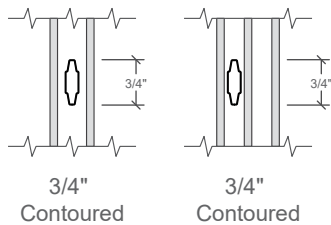
Putty Glaze and Ogee Grilles
Clad Exterior - Wood Interior



Ogee Grilles
Clad Exterior - Wood Interior



Grilles-Between-the-Glass



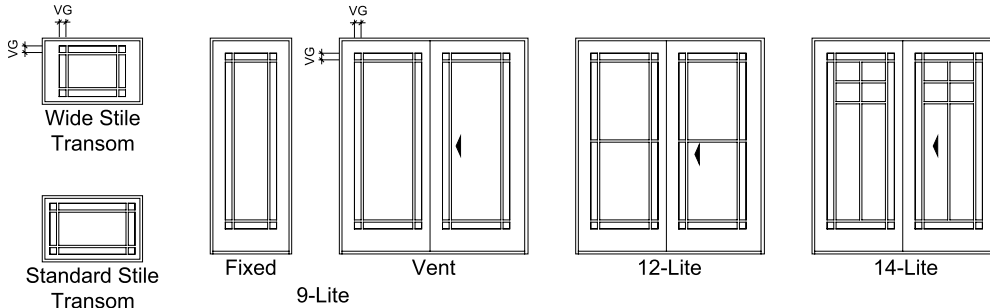
Interior wood ILT grilles available in Pine, Mahogany or Douglas Fir to match complete unit.



Grille Patterns

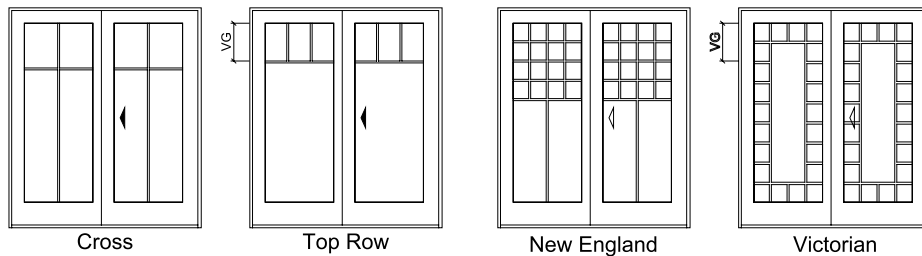
Integral Light Technology® Grilles

Prairie Lite Patterns



All fixed doors and transoms with removable grilles will have 9 lites.
8' doors will have 12 lites.
Standard corner light dimension for Prairie patterns = 3-1/2" VG.

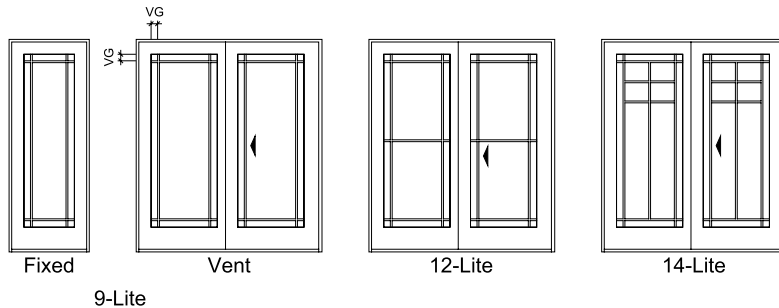
Other Available Patterns



Standard visible glass to separator bar = 14" or half of total visible glass height, whichever is smaller.

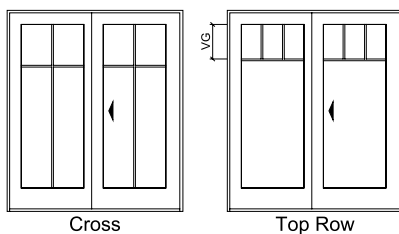
Grilles-Between-the-Glass

Prairie Lite Patterns



Prairie
– Standard corner lite dimension = 3-1/2" VG.
12-Lite
– Pattern available in 8' doors only

Other Available Patterns



Cross
– Horizontal bar is 1/4 of visible glass from the top in door panels.
– Not available in transoms.
Top Row
– Horizontal bar may be ordered 12", 14" or 16" from the top VG.
– Transoms with frame heights $\geq 21"$, the horizontal bar will be positioned at 1/2 the visible glass height.
– Top Row not available in transoms with frame height $< 21"$.

For traditional patterns, see size tables.

VG = Visible Glass

Lite dimensions noted can vary.

Custom configurations are available; for details contact your local Pella sales representative.



Pella® Reserve™ Traditional Sliding Patio Door

Size Tables

Door sizes are available in Impact-Resistant Glazing.

6' 8" One-Panel Fixed and Sidelight					
Opening	2' 7 1/2" (800)	3' 1 1/2" (953)	3' 7 1/2" (1 105)	4' 1 1/2" (1 257)	5' 1 1/2" (1 562)
Frame	2' 6 3/4" (781)	3' 0 3/4" (933)	3' 6 3/4" (1 086)	4' 0 3/4" (1 238)	5' 0 3/4" (1 543)
6' 8" (2 032)	6' 7 1/2" (2 019)				
		FIXED (O) 3180	FIXED (O) 3780	FIXED (O) 4380	FIXED (O) 4980
					FIXED (O) 6180
6' 8" Two-Panel Fixed-Active					
Opening	5' 0" (1 524)	6' 0" (1 829)	7' 0" (2 134)	8' 0" (2 438)	10' 0" (3 048)
Frame	4' 11 1/4" (1 505)	5' 11 1/4" (1 810)	6' 11 1/4" (2 115)	7' 11 1/4" (2 419)	9' 11 1/4" (3 029)
6' 8" (2 032)	6' 7 1/2" (2 019)				
		FIXED-VENT (OX) 6080	FIXED-VENT (OX) 7280	FIXED-VENT (OX) 8480	FIXED-VENT (OX) 9680
					FIXED-VENT (OX) 12080
6' 8" Three-Panel Fixed-Active-Fixed					
Opening	7' 6 3/4" (2 305)	9' 0 3/4" (2 762)	10' 6 3/4" (3 219)	12' 0 3/4" (3 677)	15' 0 3/4" (4 591)
Frame	7' 6" (2 286)	9' 0" (2 743)	10' 6" (3 200)	12' 0" (3 658)	15' 0" (4 572)
6' 8" (2 032)	6' 7 1/2" (2 019)				
		3 PANEL (OXO) 9080	3 PANEL (OXO) 10880	3 PANEL (OXO) 12680	3 PANEL (OXO) 14480
					3 PANEL (OXO) 18080
6' 8" Four-Panel Fixed-Vent-Vent Fixed					
Opening	9' 8 7/8" (2 969)	11' 8 7/8" (3 578)	15' 8 7/8" (4 797)	19' 8 7/8" (6 017)	
Frame	9' 8 1/8" (2 950)	11' 8 1/8" (3 559)	15' 8 1/8" (4 778)	19' 8 1/8" (5 998)	
6' 8" (2 032)	6' 7 1/2" (2 019)				
		4 PANEL (OXXO) 11780	4 PANEL (OXXO) 14180	4 PANEL (OXXO) 18980	4 PANEL (OXXO) 23780

Not to scale.

All doors are glazed with tempered glass.

Two panel doors—Fixed-Vent (OX), right panel opens, left panel is fixed. Units open in the direction of the arrow as viewed from the exterior.

Vent-Fixed (XO) doors are also available.

Fixed-Vent-Fixed (OXO) combination doors also available as OOX and XOO combinations.

For windows and patio doors with impact-resistant glass, see product instructions or refer to local building code requirements.



Pella® Reserve™ Traditional Sliding Patio Door

Size Tables

Door sizes are available in Impact-Resistant Glazing.

6' 10" One-Panel Fixed and Sidelight					
Opening	2' 7 1/2" (800)	3' 1 1/2" (953)	3' 7 1/2" (1 105)	4' 1 1/2" (1 257)	5' 1 1/2" (1 562)
Frame	2' 6 3/4" (781)	3' 0 3/4" (933)	3' 6 3/4" (1 086)	4' 0 3/4" (1 238)	5' 0 3/4" (1 543)
6' 10" (2 083)	6' 9 1/2" (2 070)				
		FIXED (O) 3182	FIXED (O) 3782	FIXED (O) 4382	FIXED (O) 4982
					FIXED (O) 6182
6' 10" Two-Panel Fixed-Active					
Opening	5' 0" (1 524)	6' 0" (1 829)	7' 0" (2 134)	8' 0" (2 438)	10' 0" (3 048)
Frame	4' 11 1/4" (1 505)	5' 11 1/4" (1 810)	6' 11 1/4" (2 115)	7' 11 1/4" (2 419)	9' 11 1/4" (3 029)
6' 10" (2 083)	6' 9 1/2" (2 070)				
		FIXED-VENT (OX) 6082	FIXED-VENT (OX) 7282	FIXED-VENT (OX) 8482	FIXED-VENT (OX) 9682
					FIXED-VENT (OX) 12082
6' 10" Three-Panel Fixed-Active-Fixed					
Opening	7' 6 3/4" (2 305)	9' 0 3/4" (2 762)	10' 6 3/4" (3 219)	12' 0 3/4" (3 677)	15' 0 3/4" (4 591)
Frame	7' 6" (2 286)	9' 0" (2 743)	10' 6" (3 200)	12' 0" (3 658)	15' 0" (4 572)
6' 10" (2 083)	6' 9 1/2" (2 070)				
		3 PANEL (OXO) 9082	3 PANEL (OXO) 10882	3 PANEL (OXO) 12682	3 PANEL (OXO) 14482
					3 PANEL (OXO) 18082
6' 10" Four-Panel Fixed-Vent-Vent Fixed					
Opening	9' 8 7/8" (2 969)	11' 8 7/8" (3 578)	15' 8 7/8" (4 797)	19' 8 7/8" (6 017)	
Frame	9' 8 1/8" (2 950)	11' 8 1/8" (3 559)	15' 8 1/8" (4 778)	19' 8 1/8" (5 998)	
6' 10" (2 083)	6' 9 1/2" (2 070)				
		4 PANEL (OXXO) 11782	4 PANEL (OXXO) 14182	4 PANEL (OXXO) 18982	4 PANEL (OXXO) 23782

Not to scale.

All doors are glazed with tempered glass.

Two panel doors—Fixed-Vent (OX), right panel opens, left panel is fixed. Units open in the direction of the arrow as viewed from the exterior.

Vent-Fixed (XO) doors are also available.

Fixed-Vent-Fixed (OXO) combination doors also available as OOX and XOO combinations.

For windows and patio doors with impact-resistant glass, see product instructions or refer to local building code requirements.



Pella® Reserve™ Traditional Sliding Patio Door

Size Tables

Door sizes are available in Impact-Resistant Glazing.

8' 0" One-Panel Fixed and Sidelight					
Opening	2' 7 1/2" (800)	3' 1 1/2" (953)	3' 7 1/2" (1 105)	4' 1 1/2" (1 257)	5' 1 1/2" (1 562)
Frame	2' 6 3/4" (781)	3' 0 3/4" (933)	3' 6 3/4" (1 086)	4' 0 3/4" (1 238)	5' 0 3/4" (1 543)
8' 0" (2 438) 7' 11 1/2" (2 426)					
	FIXED (O) 3196	FIXED (O) 3796	FIXED (O) 4396	FIXED (O) 4996	FIXED (O) 6196
8' 0" Two-Panel Fixed-Active					
Opening	5' 0" (1 524)	6' 0" (1 829)	7' 0" (2 134)	8' 0" (2 438)	10' 0" (3 048)
Frame	4' 11 1/4" (1 505)	5' 11 1/4" (1 810)	6' 11 1/4" (2 115)	7' 11 1/4" (2 419)	9' 11 1/4" (3 029)
8' 0" (2 438) 7' 11 1/2" (2 426)					
	FIXED-VENT (OX) 6096	FIXED-VENT (OX) 7296	FIXED-VENT (OX) 8496	FIXED-VENT (OX) 9696	FIXED-VENT (OX) 12096
8' 0" Three-Panel Fixed-Active-Fixed					
Opening	7' 6 3/4" (2 305)	9' 0 3/4" (2 762)	10' 6 3/4" (3 219)	12' 0 3/4" (3 677)	15' 0 3/4" (4 591)
Frame	7' 6" (2 286)	9' 0" (2 743)	10' 6" (3 200)	12' 0" (3 658)	15' 0" (4 572)
8' 0" (2 438) 7' 11 1/2" (2 426)					
	3 PANEL (OXO) 9096	3 PANEL (OXO) 10896	3 PANEL (OXO) 12696	3 PANEL (OXO) 14496	3 PANEL (OXO) 18096
8' 0" Four-Panel Fixed-Vent-Vent Fixed					
Opening	9' 8 7/8" (2 969)	11' 8 7/8" (3 578)	15' 8 7/8" (4 797)	19' 8 7/8" (6 017)	
Frame	9' 8 1/8" (2 950)	11' 8 1/8" (3 559)	15' 8 1/8" (4 778)	19' 8 1/8" (5 998)	
8' 0" (2 438) 7' 11 1/2" (2 426)					
	4 PANEL (OXXO) 11796	4 PANEL (OXXO) 14196	4 PANEL (OXXO) 18996	4 PANEL (OXXO) 23796	

Not to scale.

All doors are glazed with tempered glass.

Two panel doors—Fixed-Vent (OX), right panel opens, left panel is fixed. Units open in the direction of the arrow as viewed from the exterior.

Vent-Fixed (XO) doors are also available.

Fixed-Vent-Fixed (OXO) combination doors also available as OOX and XOO combinations.

For windows and patio doors with impact-resistant glass, see product instructions or refer to local building code requirements.



Pella® Reserve™ Traditional Sliding Patio Door

Size Tables

Door sizes are available in Impact-Resistant Glazing.

9' 0" One-Panel Fixed and Sidelight						
Opening	2' 7 1/2" (800)	3' 1 1/2" (953)	3' 7 1/2" (1 105)	4' 1 1/2" (1 257)	5' 1 1/2" (1 562)	
Frame	2' 6 3/4" (781)	3' 0 3/4" (933)	3' 6 3/4" (1 086)	4' 0 3/4" (1 238)	5' 0 3/4" (1 543)	
9' 0"	8' 11 1/2" (2 731)					
		FIXED (O) 31108	FIXED (O) 37108	FIXED (O) 43108	FIXED (O) 49108	FIXED (O) 61108
9' 0" Two-Panel Fixed-Active						
Opening	5' 0" (1 524)	6' 0" (1 829)	7' 0" (2 134)	8' 0" (2 438)	10' 0" (3 048)	
Frame	4' 11 1/4" (1 505)	5' 11 1/4" (1 810)	6' 11 1/4" (2 115)	7' 11 1/4" (2 419)	9' 11 1/4" (3 029)	
9' 0"	8' 11 1/2" (2 731)					
		FIXED-VENT (OX) 60108	FIXED-VENT (OX) 72108	FIXED-VENT (OX) 84108	FIXED-VENT (OX) 96108	FIXED-VENT (OX) 120108
9' 0" Three-Panel Fixed-Active-Fixed						
Opening	7' 6 3/4" (2 305)	9' 0 3/4" (2 762)	10' 6 3/4" (3 219)	12' 0 3/4" (3 677)	15' 0 3/4" (4 591)	
Frame	7' 6" (2 286)	9' 0" (2 743)	10' 6" (3 200)	12' 0" (3 658)	15' 0" (4 572)	
9' 0"	8' 11 1/2" (2 731)					
		3 PANEL (OXO) 90108	3 PANEL (OXO) 108108	3 PANEL (OXO) 126108	3 PANEL (OXO) 144108	3 PANEL (OXO) 180108
9' 0" Four-Panel Fixed-Vent-Vent Fixed						
Opening	9' 8 7/8" (2 969)	11' 8 7/8" (3 578)	15' 8 7/8" (4 797)	19' 8 7/8" (6 017)		
Frame	9' 8 1/8" (2 950)	11' 8 1/8" (3 559)	15' 8 1/8" (4 778)	19' 8 1/8" (5 998)		
9' 0"	8' 11 1/2" (2 731)					
		4 PANEL (OXXO) 117108	4 PANEL (OXXO) 141108	4 PANEL (OXXO) 189108	4 PANEL (OXXO) 237108	

Not to scale.

All doors are glazed with tempered glass.

Two panel doors—Fixed-Vent (OX), right panel opens, left panel is fixed. Units open in the direction of the arrow as viewed from the exterior.

Vent-Fixed (XO) doors are also available.

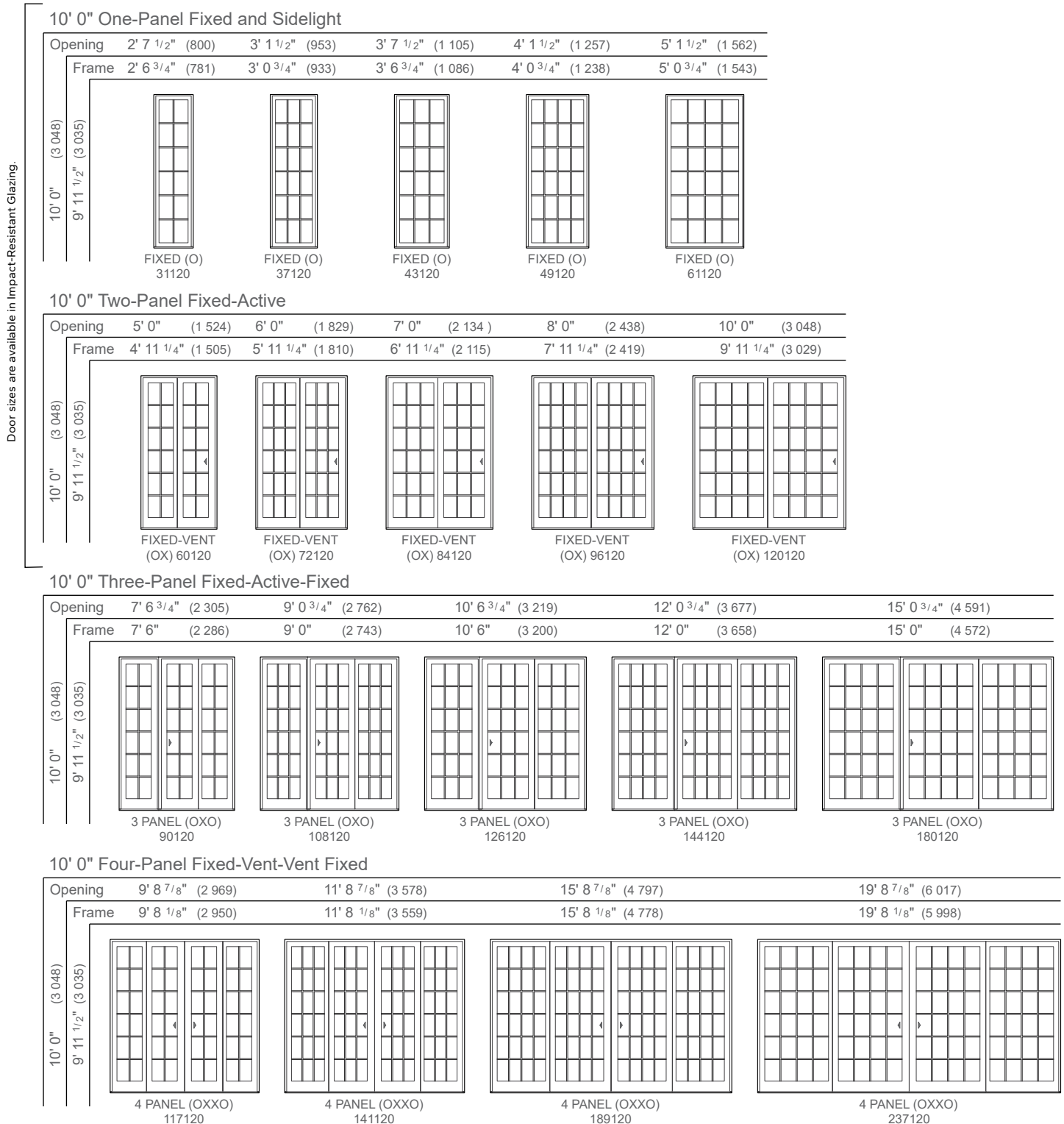
Fixed-Vent-Fixed (OXO) combination doors also available as OOX and XO combinations.

For windows and patio doors with impact-resistant glass, see product instructions or refer to local building code requirements.



Pella® Reserve™ Traditional Sliding Patio Door

Size Tables



Not to scale.

All doors are glazed with tempered glass.

Two panel doors—Fixed-Vent (OX), right panel opens, left panel is fixed. Units open in the direction of the arrow as viewed from the exterior.

Vent-Fixed (XO) doors are also available.

Fixed-Vent-Fixed (OXO) combination doors also available as OOX and XO combinations.

For windows and patio doors with impact-resistant glass, see product instructions or refer to local building code requirements.



Pella® Reserve™ Traditional Sliding Patio Door

Size Tables

Transoms		(800) (781)	(953) (933)	(1 257) (1 238)	(1 524) (1 505)	(1 829) (1 810)	(2 438) (2 419)
Opening		2' 7 1/2"	3' 1 1/2"	4' 1 1/2"	5' 0"	6' 0"	8' 0"
Frame		2' 6 3/4"	3' 0 3/4"	4' 0 3/4"	4' 11 1/4"	5' 11 1/4"	7' 11 1/4"
(654) (635) (654)	2' 1 3/4"						
	1' 5"						
	1' 2"						
Wide Stile		(800) (781)	(953) (933)	(1 257) (1 238)	(1 524) (1 505)	(1 829) (1 810)	(2 438) (2 419)
Opening		2' 7 1/2"	3' 1 1/2"	4' 1 1/2"	5' 0"	6' 0"	8' 0"
Frame		2' 6 3/4"	3' 0 3/4"	4' 0 3/4"	4' 11 1/4"	5' 11 1/4"	7' 11 1/4"
(654) (635) (654)	2' 1 3/4"						
	1' 5"						
	1' 2"						

Not to scale.



Special Sizes and Dimensions

Special Size Frame Dimensions₁

Door Type	Frame Width		Frame Height	
	Minimum	Maximum	Minimum	Maximum
O	30-3/4" (781)	60-3/4" (1 543)	74" (1 880)	119-1/2" (3 035)
OX, XO	59-1/4" (1 505)	119-1/2" (3 035)	74" (1 880)	119-1/2" (3 035)
OXO	90" (2 286)	180" (4 572)	74" (1 880)	119-1/2" (3 035)
OXXO	116-1/8" (2 950)	236-1/8" (5 998)	74" (1 880)	119-1/2" (3 035)

Knock-down Frames

When the below conditions are met, units will be shipped as knock-down frames.

Certain ILT grille configurations require knock-down frames, contact your local sales representative for details.

Door Type	Condition
O	FW > 48-3/4" or FH > 95-1/2"
OX, XO	FW > 95-1/4" or FH > 95-1/2"
OXO	FW > 144" or FH > 95-1/2"
OXXO	FW > 188-1/8" or FH > 95-1/2"

Miscellaneous Formulas

	Doors	
	Width	Height
Visible Glass	Width of O = Frame - 11-7/16" Width of OX, XO = (Frame - 16-15/16") ÷ 2 Width of OXO = (Frame - 27-1/16") ÷ 3 Width of OXXO = (Frame - 32-1/2") ÷ 4	Height = Frame - 12-5/8"
Actual Glass	Width of O = Frame - 10-1/8" Width of OX, XO = (Frame - 17-15/16") ÷ 2 Width of OXO = (Frame - 28-1/16") ÷ 3 Width of OXXO = (Frame - 33-1/2") ÷ 4	Height = Frame - 13-5/8"
Clear Opening ₂	Width of OX, XO = (Frame - 13-5/8") ÷ 2 Width of OXO = (Frame - 21-1/2") ÷ 3 Width of OXXO = (Frame - 30-3/8") ÷ 2	Height = Frame - 3-3/4"

	Transoms	
	Visible Glass	Actual Glass
Fixed Frame Direct Set	Width = Frame - 3-1/4" Height = Frame - 3-1/4"	Width = Frame - 2" Height = Frame - 2"
Fixed Casement	Width = Frame - 5-3/4" Height = Frame - 5-3/4"	Width = Frame - 4-3/8" Height = Frame - 4-3/8"
Wide Stile Casement	Width = Frame - 11-5/8" Height = Frame - 5-3/4"	Width = Frame - 10-1/4" Height = Frame - 4-3/8"

(1) Available within size range shown.

(2) Clear opening width shown is with standard hardware, premium hardware reduces opening width by 1.612" for OX, XO, OXO doors, and 2.144" for OXXO doors. Doors with anodized finishes will have a reduced opening width by .48" for OX, XO and OXO and .96" for OXXO doors.

Keep frame dimensions to the nearest 1/8" increment. To convert areas to square meters (m²), multiply square feet by 0.0929.

Fixed-Vent-Fixed (OXO) combination doors also available as OOX and XO combinations.



Pella® Reserve™ Traditional Sliding Patio Door

Design Data

Sliding French Design Data								
	Unit	Venting	Clear Opening		Vent Area Ft ²	Visible Glass Ft ²	Standard Glass Thickness (mm) Tempered	Performance Class & Grade ₁
			Width (Inches)	Height (Inches)				
6' 7-1/2" Doors	3180	O	—	—	—	8.8	3	LC70
	3780	O	—	—	—	11.5	3	LC70
	4380	O	—	—	—	14.2	3	LC70
	4980	O	—	—	—	16.9	3	LC70
	6180	O	—	—	—	22.3	4	LC40
	6080	OX, XO	22-13/16	75-3/4	12.0	17.7	3	LC65
	7280	OX, XO	28-13/16	75-3/4	15.2	23.1	3	LC65
	8480	OX, XO	34-13/16	75-3/4	18.3	28.5	3	LC60
	9680	OX, XO	40-13/16	75-3/4	21.5	33.9	3	LC60
	12080	OX, XO	52-15/16	75-3/4	27.7	44.7	4	LC35
	9080	OX O*	22-13/16	75-3/4	12.0	26.5	3	LC45
	10880	OX O*	28-13/16	75-3/4	15.2	34.6	3	LC45
	12680	OX O*	34-13/16	75-3/4	18.3	42.7	3	LC45
	14480	OX O*	40-13/16	75-3/4	21.5	50.8	3	LC45
	18080	OX O*	52-13/16	75-3/4	27.8	67.0	4	LC30
11780	OXXO	42-7/8	75-3/4	22.6	35.4	3	LC40	
14180	OXXO	54-7/8	75-3/4	28.9	46.2	3	LC40	
18980	OXXO	78-7/8	75-3/4	41.5	67.8	3	LC30	
23780	OXXO	102-7/8	75-3/4	54.0	89.4	4	LC25	
6' 10" Doors	3182	O	—	—	—	9.1	3	LC70
	3782	O	—	—	—	11.9	3	LC70
	4382	O	—	—	—	14.7	3	LC70
	4982	O	—	—	—	17.5	3	LC70
	6182	O	—	—	—	23.0	4	LC40
	6082	OX, XO	22-13/16	77-3/4	12.3	18.2	3	LC65
	7282	OX, XO	28-13/16	77-3/4	15.6	23.8	3	LC65
	8482	OX, XO	34-13/16	77-3/4	18.8	29.4	3	LC60
	9682	OX, XO	40-13/16	77-3/4	22.0	34.9	3	LC60
	12082	OX, XO	52-15/16	77-3/4	28.5	46.1	4	LC35
	9082	OX O*	22-13/16	77-3/4	12.3	27.4	3	LC45
	10882	OX O*	28-13/16	77-3/4	15.6	35.7	3	LC45
	12682	OX O*	34-13/16	77-3/4	18.8	44.1	3	LC45
	14482	OX O*	40-13/16	77-3/4	22.1	52.4	3	LC45
	18082	OX O*	52-13/16	77-3/4	28.5	69.1	4	LC30
11782	OXXO	42-7/8	77-3/4	23.1	36.5	3	LC40	
14182	OXXO	54-7/8	77-3/4	29.6	47.6	3	LC40	
18982	OXXO	78-7/8	77-3/4	42.6	69.9	3	LC30	
23782	OXXO	102-7/8	77-3/4	55.4	92.1	4	LC25	
8' 0" Doors	3196	O	—	—	—	11.0	3	LC70
	3796	O	—	—	—	14.4	3	LC70
	4396	O	—	—	—	17.8	4	LC70
	4996	O	—	—	—	21.1	4	LC70
	6196	O	—	—	—	27.9	5	LC40
	6096	OX, XO	22-13/16	91-3/4	14.5	22.1	3	LC65
	7296	OX, XO	28-13/16	91-3/4	18.4	28.8	3	LC65
	8496	OX, XO	34-13/16	91-3/4	22.2	35.5	4	LC60
	9696	OX, XO	40-13/16	91-3/4	26.0	42.3	4	LC60
	12096	OX, XO	52-15/16	91-3/4	33.6	55.7	5	LC35
	9096	OX O*	22-13/16	91-3/4	14.6	33.1	3	LC45
	10896	OX O*	28-13/16	91-3/4	18.4	43.2	3	LC45
	12696	OX O*	34-13/16	91-3/4	22.2	53.3	4	LC45
	14496	OX O*	40-13/16	91-3/4	26.0	63.4	4	LC45
	18096	OX O*	52-13/16	91-3/4	33.6	83.6	5	LC30
11796	OXXO	42-7/8	91-3/4	27.3	44.1	3	LC40	
14196	OXXO	54-7/8	91-3/4	35.0	57.6	3	LC40	
18996	OXXO	78-7/8	91-3/4	50.3	84.5	4	LC30	
23796	OXXO	102-7/8	91-3/4	65.4	111.4	5	LC25	

(—) = Not Applicable

(1) Maximum performance when glazed with the appropriate glass thickness.

All doors are glazed with tempered glass.

* Fixed-Vent-Fixed (OXO) combination doors also available as OOX and XO combinations.

Clear opening width shown is with standard hardware, premium hardware reduces opening width by 1.612" for OX, XO, OXO doors, and 2.144" for OXXO doors.

To convert areas to square meters (m²), multiply square feet by 0.0929.



Design Data

Sliding French Design Data								
	Unit	Venting	Clear Opening		Vent Area Ft²	Visible Glass Ft²	Standard Glass Thickness (mm) Tempered	Performance Class & Grade ₁
			Width (Inches)	Height (Inches)				
9' 0" Doors	31108	O	—	—	—	12.7	3	LC40
	37108	O	—	—	—	16.5	3	LC40
	43108	O	—	—	—	20.4	4	LC40
	49108	O	—	—	—	24.3	4	LC40
	61108	O	—	—	—	32.0	5	LC40
	60108	OX, XO	22-13/16	103-3/4	16.4	25.3	3	LC35
	72108	OX, XO	28-13/16	103-3/4	20.8	33.1	3	LC35
	84108	OX, XO	34-13/16	103-3/4	25.1	40.8	4	LC35
	96108	OX, XO	40-13/16	103-3/4	29.4	48.5	4	LC35
	120108	OX, XO	52-15/16	103-3/4	38.0	64.0	5	LC35
	909108	OX O*	22-13/16	103-3/4	16.5	38.0	3	LC30
	108108	OX O*	28-13/16	103-3/4	20.8	49.6	3	LC30
	126108	OX O*	34-13/16	103-3/4	25.1	61.2	4	LC30
	1449108	OX O*	40-13/16	103-3/4	29.4	72.8	4	LC30
	180108	OX O*	52-13/16	103-3/4	38.0	96.0	5	LC30
	117108	OXXO	42-7/8	103-3/4	30.9	50.7	3	LC25
	141108	OXXO	54-7/8	103-3/4	39.5	66.1	3	LC25
	189108	OXXO	78-7/8	103-3/4	56.8	97.1	4	LC25
237108	OXXO	102-7/8	103-3/4	74.0	128.0	5	LC25	
10' 0" Doors	31120	O	—	—	—	14.3	3	LC40
	37120	O	—	—	—	18.7	3	LC40
	43120	O	—	—	—	23.0	4	LC40
	49120	O	—	—	—	27.4	4	LC40
	61120	O	—	—	—	36.1	6	LC40
	60120	OX, XO	22-13/16	115-3/4	18.3	28.6	3	LC35
	72120	OX, XO	28-13/16	115-3/4	23.2	37.3	3	LC35
	84120	OX, XO	34-13/16	115-3/4	28.0	46.1	4	LC35
	96120	OX, XO	40-13/16	115-3/4	32.8	54.8	4	LC35
	120120	OX, XO	52-15/16	115-3/4	42.4	72.3	6	LC35
	90120	OX O*	22-13/16	115-3/4	18.4	42.9	3	LC30
	108120	OX O*	28-13/16	115-3/4	23.2	56.0	3	LC30
	126120	OX O*	34-13/16	115-3/4	28.0	69.1	4	LC30
	144120	OX O*	40-13/16	115-3/4	32.8	82.2	4	LC30
	180120	OX O*	52-13/16	115-3/4	42.4	108.4	6	LC30
	117120	OXXO	42-7/8	115-3/4	34.5	57.2	3	LC25
	141120	OXXO	54-7/8	115-3/4	44.1	74.7	3	LC25
	189120	OXXO	78-7/8	115-3/4	63.4	109.6	4	LC25
237120	OXXO	102-7/8	115-3/4	82.5	144.6	5	LC25	

Transoms						
	Unit	Visible Glass Ft²	Standard Glass Thickness (mm)		Performance Class & Grade ₁	
			Annealed	Tempered		
Fixed Frame Direct Set	3117	2.6	3	3	CW90	
	3125	4.2	3	3	CW90	
	3717	3.2	3	3	CW90	
	3725	5.1	3	3	CW90	
	4917	4.3	3	3	CW90	
	4925	6.9	3	3	CW75	
	6017	5.3	3	3	CW90	
	6025	8.5	3	3	CW55	
	7217	6.5	3	3	CW60	
	7225	10.3	3	3	CW45	
	9617	8.8	—	4	CW60	
	9625	13.9	4	4	CW60	
	Fixed Casement	3117	2.0	3	3	CW50
		3125	3.3	3	3	CW50
		3717	2.4	3	3	CW50
3725		4.1	3	3	CW50	
4917		3.4	3	3	CW50	
4925		5.7	3	3	CW50	
6017		4.2	3	3	CW50	
6025		7.2	3	3	CW45/CW50	
7217		5.1	—	3	R15 ₂	
7225		8.8	3	3	R15 ₂	
9617		7.0	—	4	R15 ₂	
9625		12.0	4	4	R15 ₂	
Wide Stile Casement		3117	1.4	3	3	CW50
		3125	2.4	3	3	CW50
		3717	1.9	3	3	CW50
	3725	3.2	3	3	CW50	
	4917	2.8	3	3	CW50	
	4925	4.8	3	3	CW50	
	6017	3.6	3	3	CW50	
	6025	6.2	3	3	CW50	
	7217	4.6	3	3	CW50	
	7225	7.8	3	3	R15 ₂	
	9617	6.4	—	4	R15 ₂	
	9625	11.0	4	4	R15 ₂	

(—) = Not Applicable

(1) Maximum performance when glazed with the appropriate glass thickness.

All doors are glazed with tempered glass.

* Fixed-Vent-Fixed (OXO) combination doors also available as OOX and XOO combinations.

(2) Units with a Performance Class and Grade of R15₂ are not AAMA/WDMA performance certified. Units are engineered to meet the performance class and grade shown.

Clear opening width shown is with standard hardware, premium hardware reduces opening width by 1.612" for OX, XO, OXO doors, and 2.144" for OXXO doors.

To convert areas to square meters (m²), multiply square feet by 0.0929.



Detailed Product Description - Aluminum-Clad Exterior

Frame

- Select softwood, immersion treated with Pella's EnduraGuard® wood protection formula in accordance with WDMA I.S.-4. The EnduraGuard formula includes three active ingredients for protection against the effects of moisture, decay, stains from mold and mildew. Plus, an additional ingredient adds protection against termite damage.
Interior exposed surfaces are [pine] [mahogany] [douglas fir] edge banded and veneered.
Exterior surfaces are clad with aluminum at the head and jambs.
Components are assembled with screws, staples and concealed corner locks.
Solid extruded aluminum sill with Black finish. [mahogany threshold for mahogany door] [[oak] [composite black] threshold for [pine] [douglas fir] door].
Optional factory-installed fold-out installation fins with flexible fin corners.
Fin position will accommodate standard 4-9/16" (116mm) wall depths.
Frame depth is 5-7/8" (149mm).
Optional factory-applied jamb extensions available between 4-9/16" (116mm) and 7-3/16" (183mm) wall depths.
Optional factory-applied EnduraClad® exterior trim.

Door panels

- Select softwood, immersion treated with Pella's EnduraGuard® wood protection formula in accordance with WDMA I.S.-4. The EnduraGuard formula includes three active ingredients for protection against the effects of moisture, decay, stains from mold and mildew. Plus, an additional ingredient adds protection against termite damage.
Interior exposed surfaces are veneered with [pine] [mahogany] [douglas fir].
Exterior surfaces are clad with aluminum.
Panel stiles have LVL core with finger-jointed edge bands on both sides and veneered on both faces.
Panel rails are three-ply construction, randomly finger-jointed blocks laminated with water-resistant glue and veneered on both sides.
Corners are secured with metal fasteners and structural adhesive.
Panel thickness is 2-1/16" (52mm).
Panel exterior profile is [ogee] [putty glaze], interior profile is ogee.
Vent panels have two adjustable ABEC 5 sealed electroplated steel ball-bearing rollers with organic coating, set on stainless steel track, standard.
Two adjustable corrosion-resistant stainless steel ball-bearing rollers; out-of-unit option.

Weatherstripping

- Dual-durometer extruded polymer with bulb at head, jamb and threshold. Corners are welded along perimeter of door panels.

Glazing System 1

- Quality fully-tempered float glass complying with ASTM C 1048.
Custom and high altitude glazing available.
Silicone-glazed, 13/16" double-pane, dual-seal, insulating glass
[Clear] [Obscure] [Reflective Bronze] with air.
[Obscure Low-E [with argon]] [[Advanced] [AdvancedComfort] [SunDefense™] [SunDefense+] [NaturalSun] [NaturalSun+] Low-E [with argon]].
[Bronze] [Gray] [Green] Advanced Low-E [with argon]].
Silicone-glazed, [13/16"] [7/8"] double-pane, dual-seal, laminated, insulating glass
Clear with air.
[Advanced] [SunDefense™] Low-E with argon.
[Bronze] [Gray] [Green] Advanced Low-E with argon.
Silicone-glazed, 1" triple-pane, dual-seal, insulating glass
[Obscure Low-E [with argon]] [Advanced] [SunDefense™] [NaturalSun] Low-E [with argon]].
Silicone-glazed, 7/8" double-pane, dual-seal, impact-resistant, laminated, insulating glass
Clear with air.
[Bronze] [Gray] [Green] with air.
[Advanced] [SunDefense™] Low-E [with argon].

Exterior

- Aluminum clad exteriors shall be finished with EnduraClad® protective finish, in a multi-step, baked-on finish.
Color is [Standard] [feature] [custom]2.
Aluminum clad exteriors shall be finished with EnduraClad Plus protective finish with 70% fluoropolymer resin in a multi-step, baked-on finish.
Color is [Standard] [feature] [custom]2.

Interior

- [Unfinished, ready for site finishing] [factory primed with one coat acrylic latex] [factory prefinished [paint] [stain]2].

Hardware

- Interior handle and thumb lock finish is [Satin Brass] [Satin Nickel] [Oil-Rubbed Bronze] [Polished Nickel] [Polished Chrome] [Distressed Bronze] [Distressed Nickel] [baked enamel [Champagne] [White] [Brown] [Matte Black]].
Exterior handle finish is baked enamel, color to match door cladding.
Keylock with K-keyway cylinder.
Multiple point lock hardware is electroplated steel with stainless steel strikes.
The foot bolt has a Black finish.

Optional Products

Grilles

- Integral Light Technology®
Interior grilles are [5/8"] [7/8"] [1-1/4"] [2"] ogee profile that are solid [Pine] [mahogany] [douglas fir]. Interior surfaces are [unfinished, ready for site finishing] [factory primed] [pine: factory prefinished [paint] [stain]2].
Exterior grilles are [5/8" putty profile] [7/8" [putty] [ogee] profile] [1-1/4" [putty] [ogee] profile] [2" ogee profile] that are extruded aluminum, finished to match door cladding.
Patterns are [Traditional] [Prairie] [Top Row] [Cross] [New England] [Victorian].
Insulating glass contains non-glare spacer between the panes of glass.
Grilles are adhered to both sides of the insulating glass with VHB acrylic adhesive tape and aligned with the non-glare spacer.
Grilles-Between-the-Glass 3
Insulating glass contains 3/4" contoured aluminum grilles permanently installed between two panes of glass.
Patterns are [Traditional] [Prairie] [Cross] [Top Row]
Interior color is [White] [Tan 4] [Brown 4] [Putty 4] [Black] [Morning Sky Gray] [Ivory] [Sand Dune] [Harvest] [Cordovan] [Brickstone].
Exterior color 5 is [standard 2].

Screens

- InView™ screens
Vinyl-coated 18/18 mesh fiberglass screen cloth complying with the performance requirements of SMA 1201, set in aluminum frame, supplied complete with all necessary hardware.
Insect screen assembly is top-hung on two adjustable nylon rollers installed on room side of door panels.
Screen frame exterior is [painted] to match exterior color.
Screen frame interior is [pine] [mahogany] [douglas fir] veneer wrapped over extruded aluminum [Unfinished] [prefinished to match door 6].
Rolscreen® Retractable Screen
Self-storing, rolling, black vinyl-coated 18/16 mesh fiberglass screen cloth complying with ASTM D 3656 and SMA 1201 mounted to fixed panel and covered by veneered aluminum.
Cover finish is [factory prefinished paint] [[pine] [mahogany] veneer wrapped over extruded aluminum with factory prefinished stain 2.
Available on two- and three-panel sliding patio doors.

Sensors

- Optional factory installed integrated security sensors available in vent units.

(1) Insulating glass with argon is Low-E coated. All other insulating glass is air-filled.

(2) Contact your local Pella sales representative for current color options.

(3) Available in clear or Low-E insulating glass only.

(4) Tan, Brown and Putty Interior GBG colors are available in single-tone (Putty/Putty, Brown/Brown or Tan/Tan) (Putty mono). Other interior colors are also available with Tan or Brown exterior.

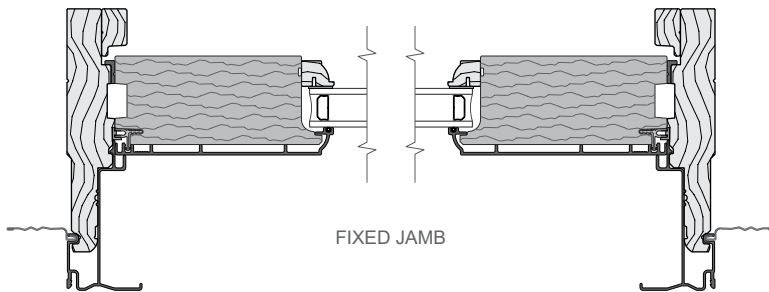
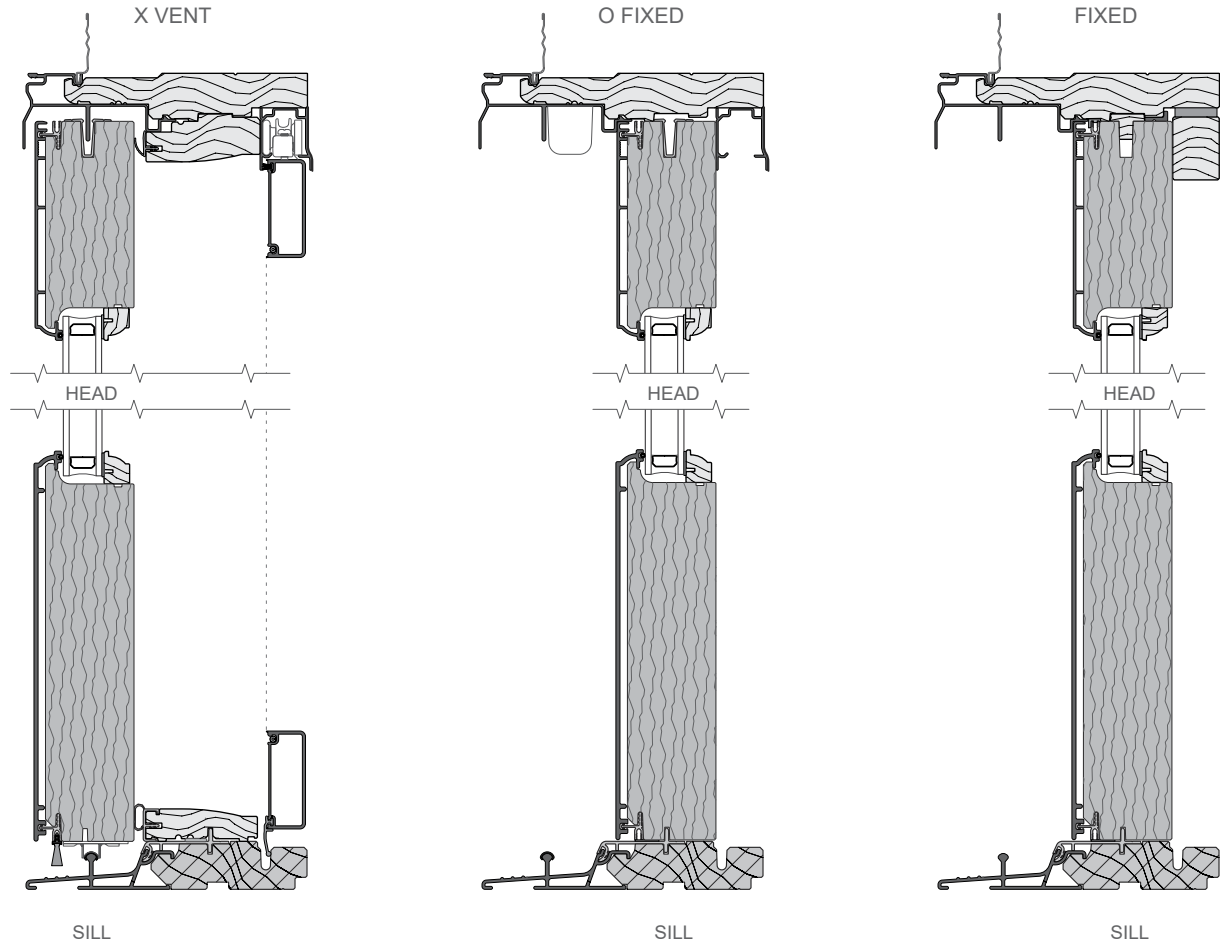
(5) Appearance of exterior grille color will vary depending on Low-E coating on glass.

(6) Prefinished White interior screen frame is only available with White exterior finish.

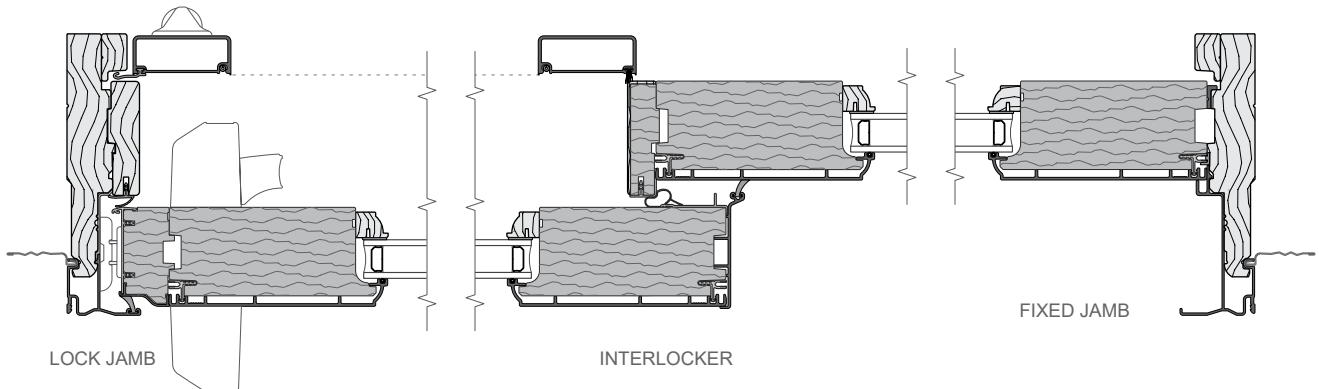


Pella® Reserve™ Traditional Sliding Patio Door

Unit Sections Aluminum-Clad Exterior - Wood Collection



-  Solid Mahogany
-  Core with Mahogany Veneer
-  Painted Pine

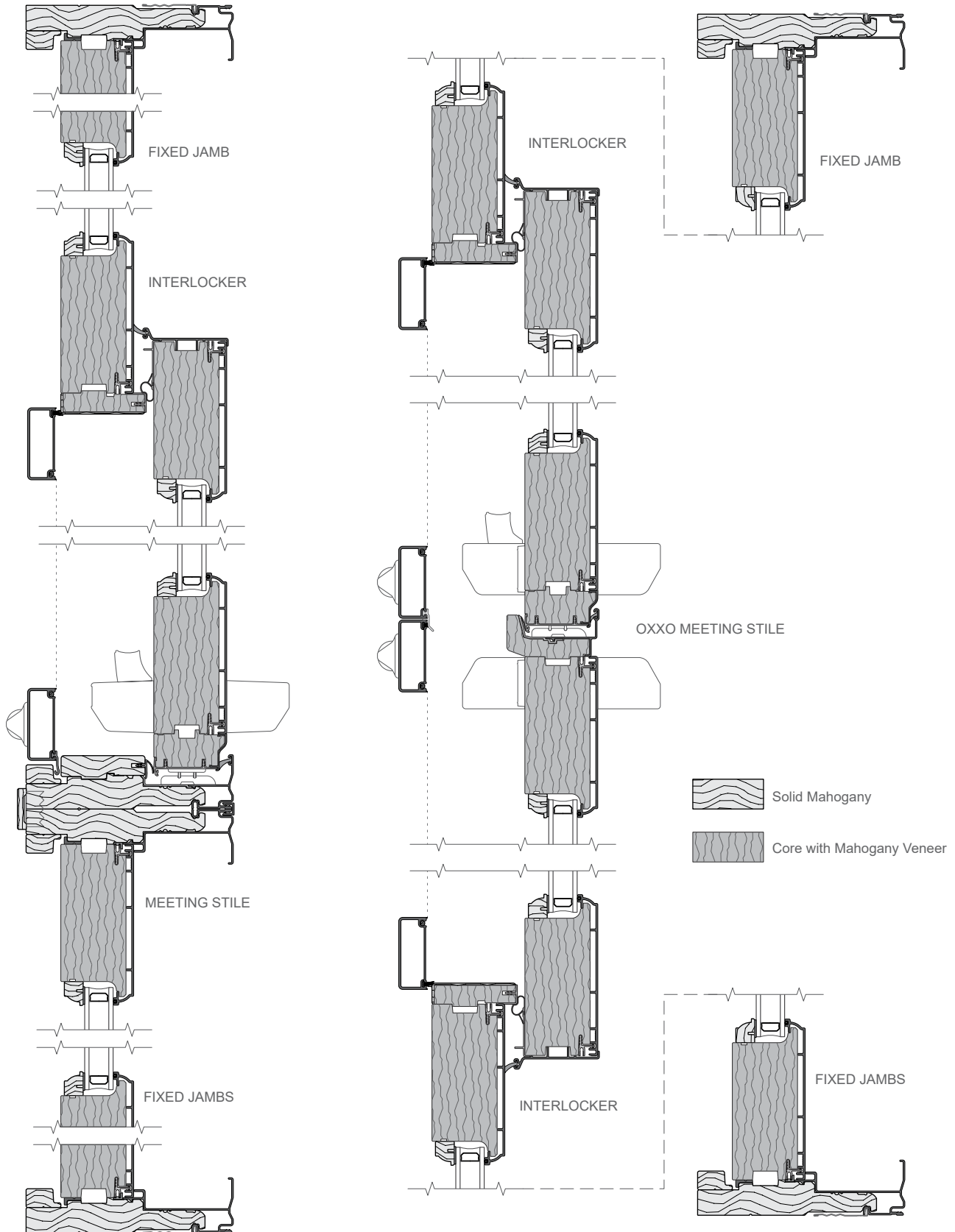


Scale 3" = 1' 0"
 All dimensions are approximate.



Pella® Reserve™ Traditional Sliding Patio Door

Unit Sections Aluminum-Clad Exterior - Wood Collection



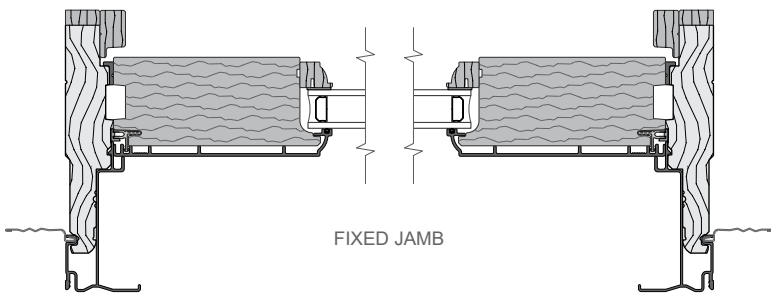
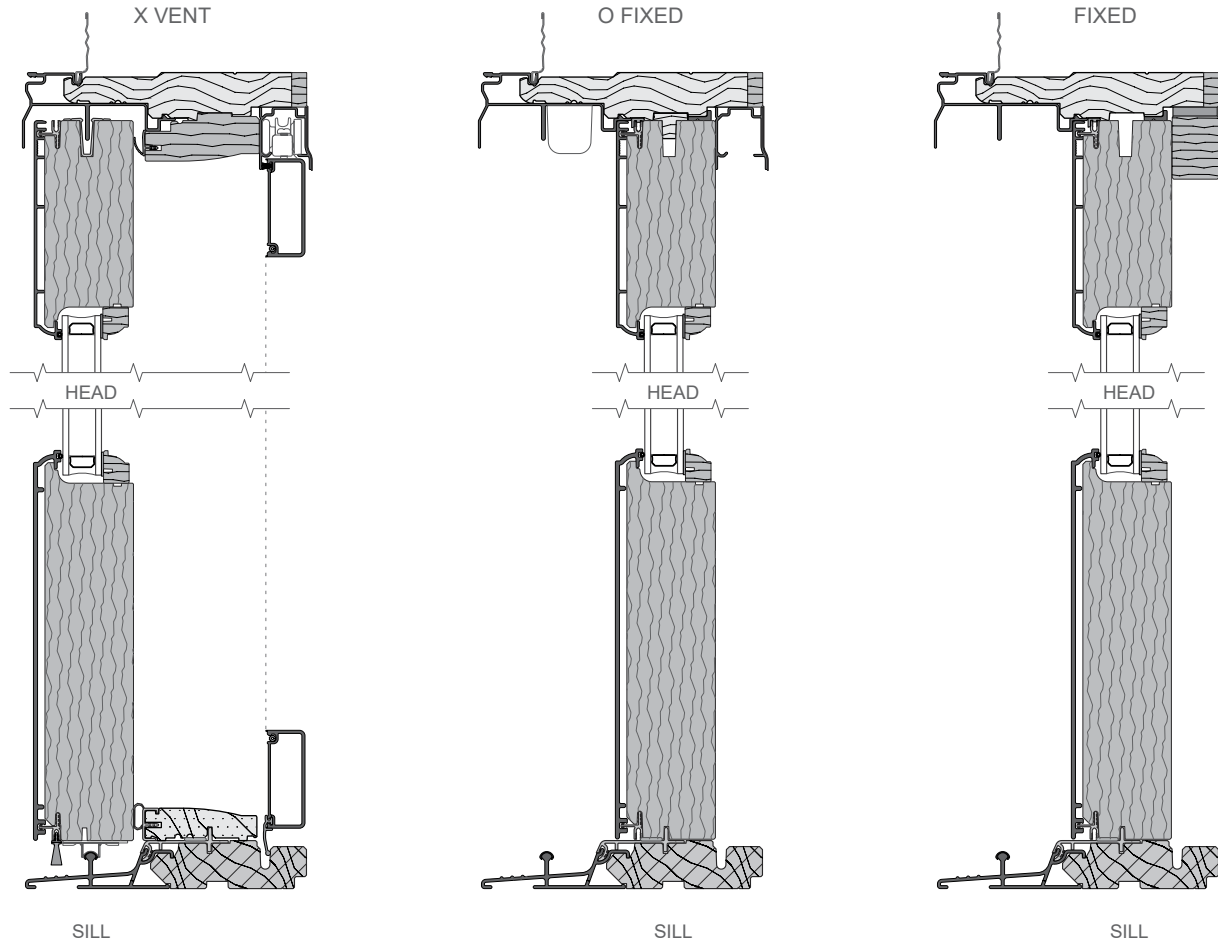
Scale 3" = 1' 0"

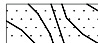
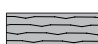



All dimensions are approximate.

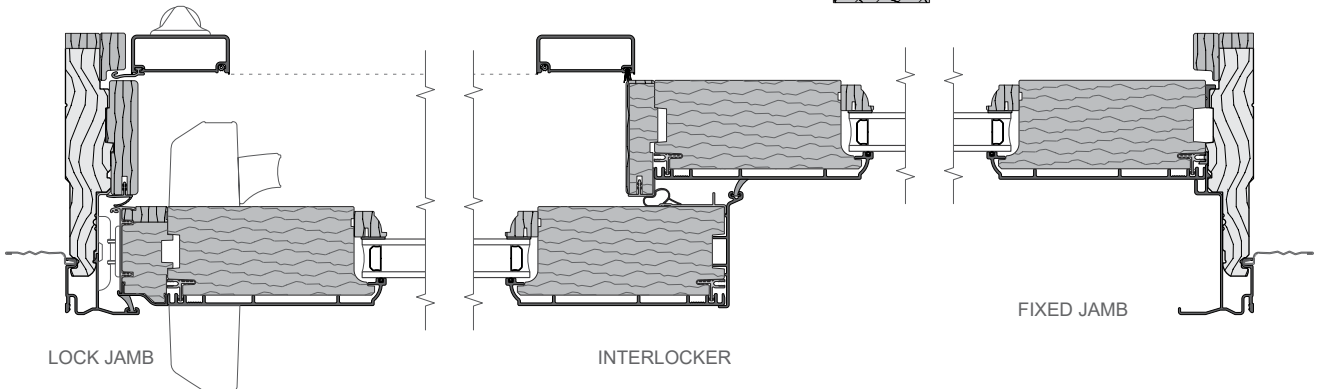


Pella® Reserve™ Traditional Sliding Patio Door

Unit Sections Aluminum-Clad Exterior - Wood Collection



-  Oak, Mahogany, Black Composite
-  Mahogany, Douglas Fir or Pine
-  Core with Mahogany, Douglas Fir or Pine Veneer
-  Solid Pine
-  Painted Pine

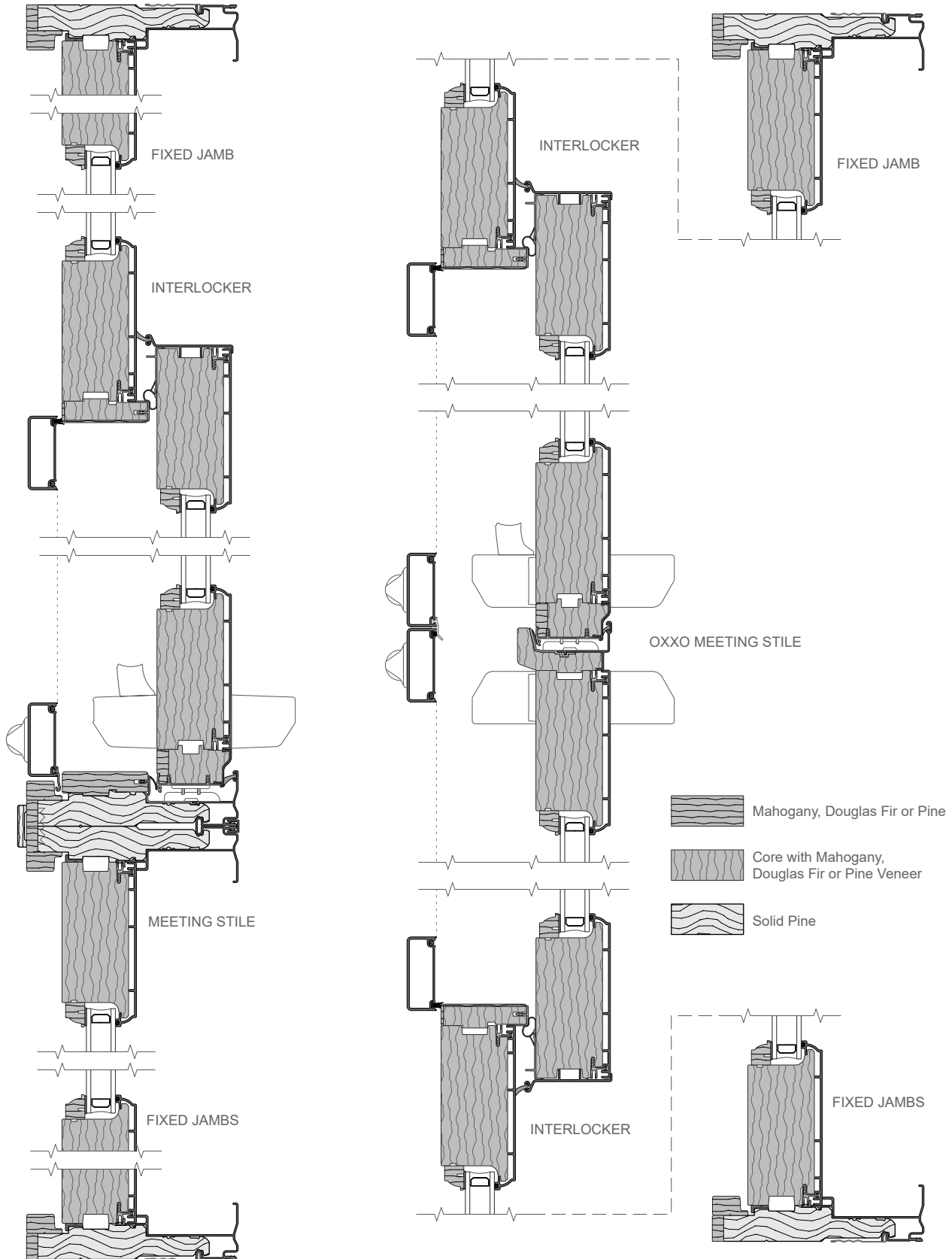


Scale 3" = 1' 0"
All dimensions are approximate.



Pella® Reserve™ Traditional Sliding Patio Door

Unit Sections Aluminum-Clad Exterior - Wood Collection



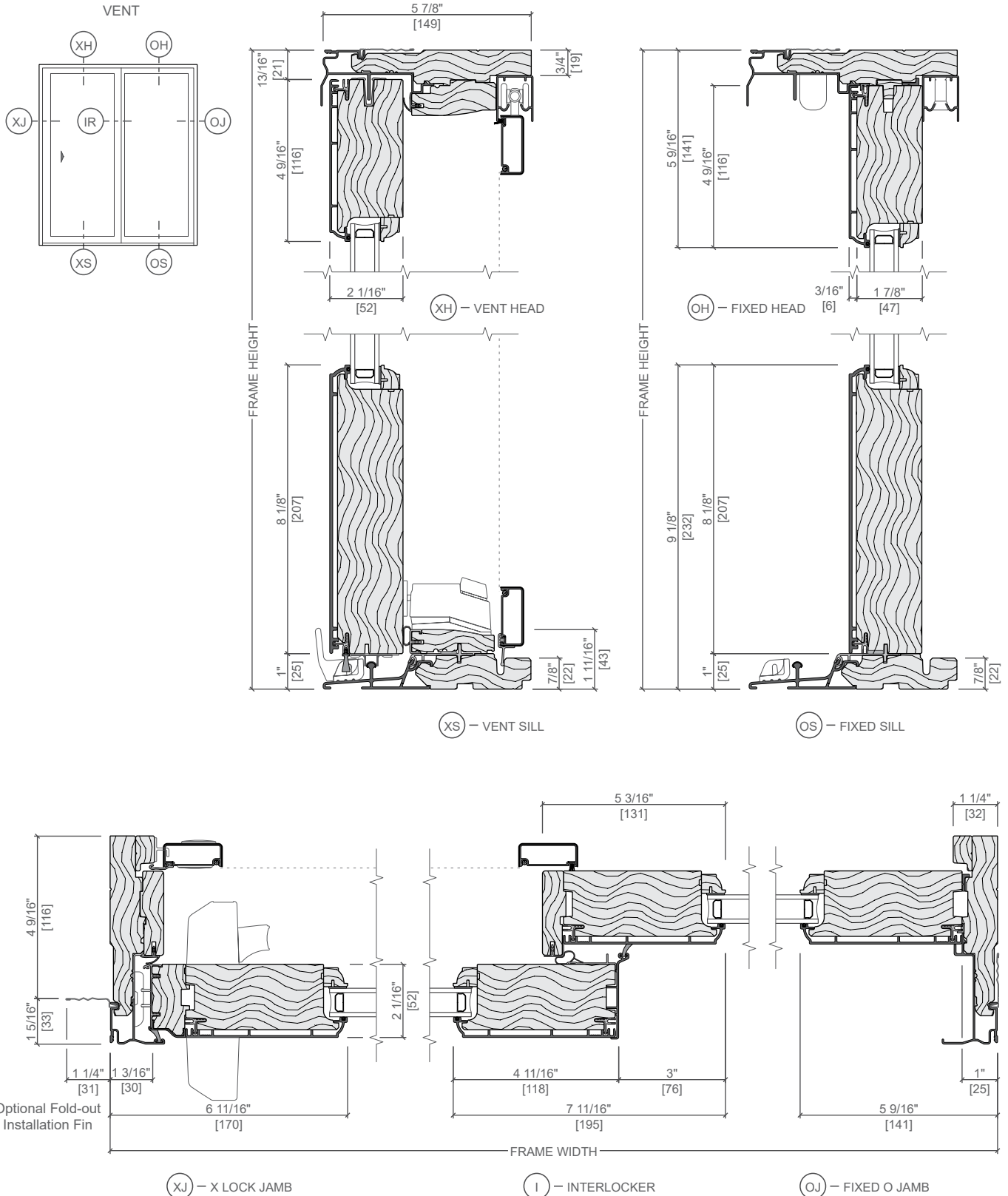
Scale 3" = 1' 0"

All dimensions are approximate.



Pella® Reserve™ Traditional Sliding Patio Door

Unit Sections Aluminum-Clad Exterior, Ogee Exterior Profile



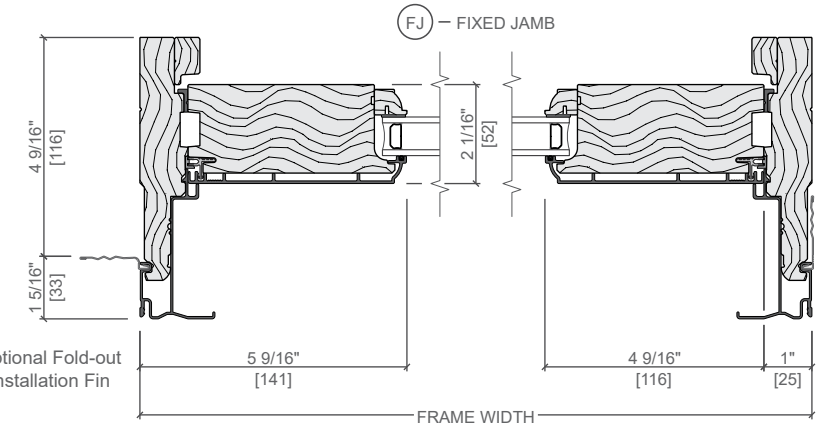
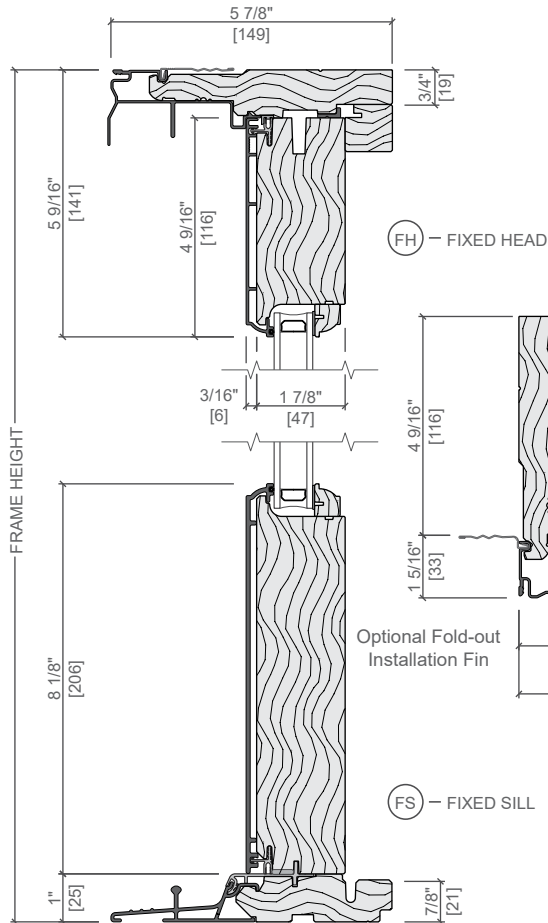
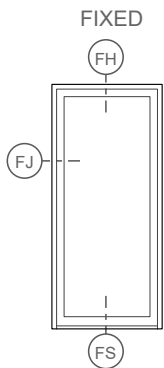
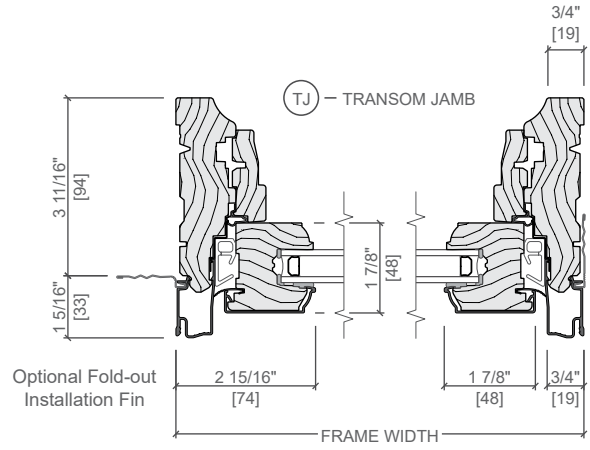
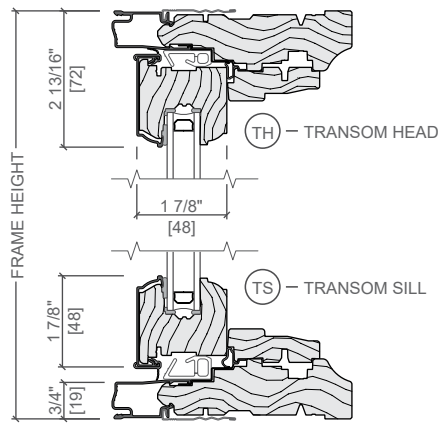
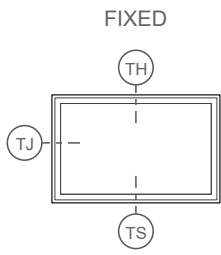
Scale 3" = 1' 0"

All dimensions are approximate.



Pella® Reserve™ Traditional Sliding Patio Door

Unit Sections Aluminum-Clad Exterior, Ogee Exterior Profile



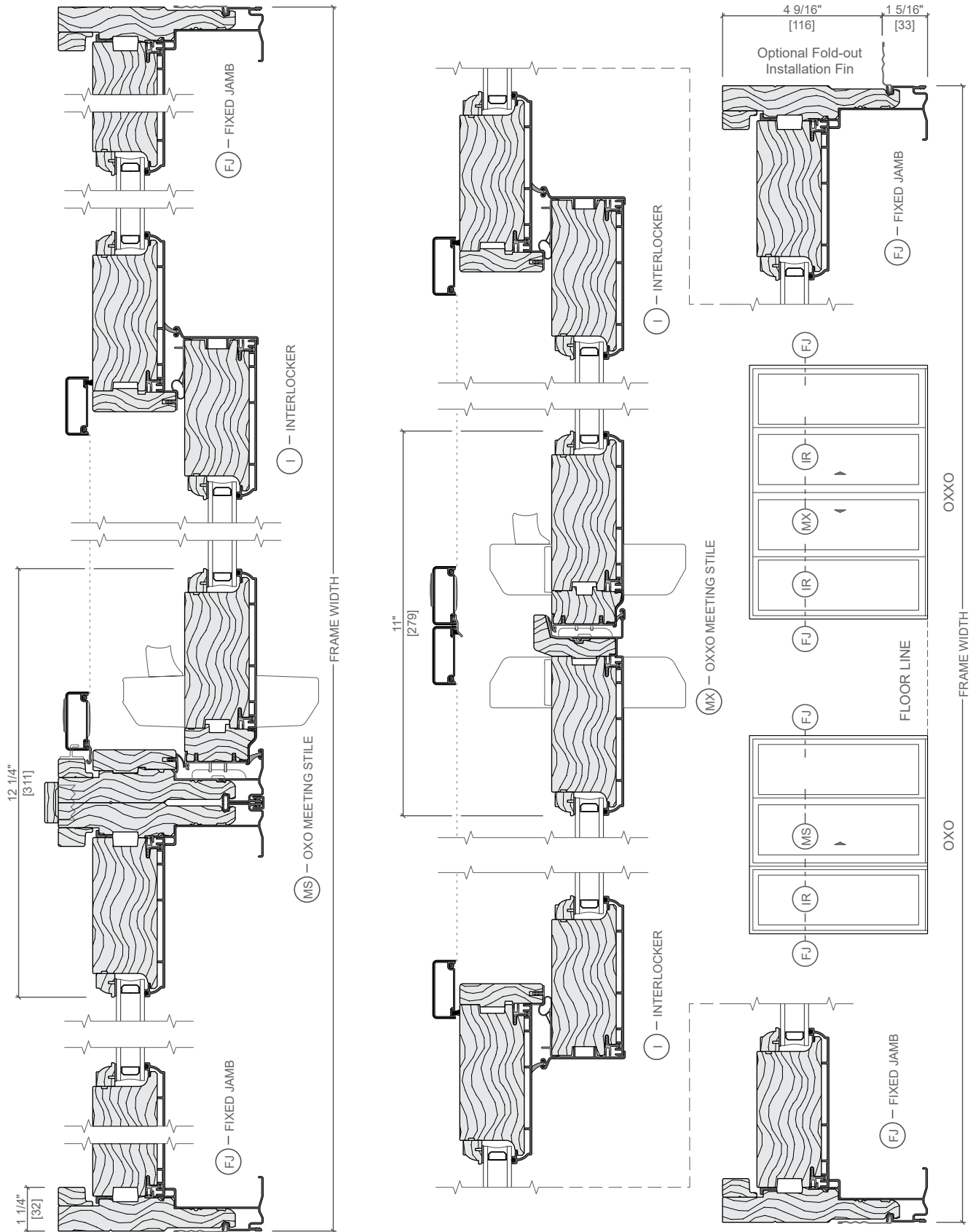
Scale 3" = 1' 0"

All dimensions are approximate.



Pella® Reserve™ Traditional Sliding Patio Door

Unit Sections Aluminum-Clad Exterior, Ogee Exterior Profile



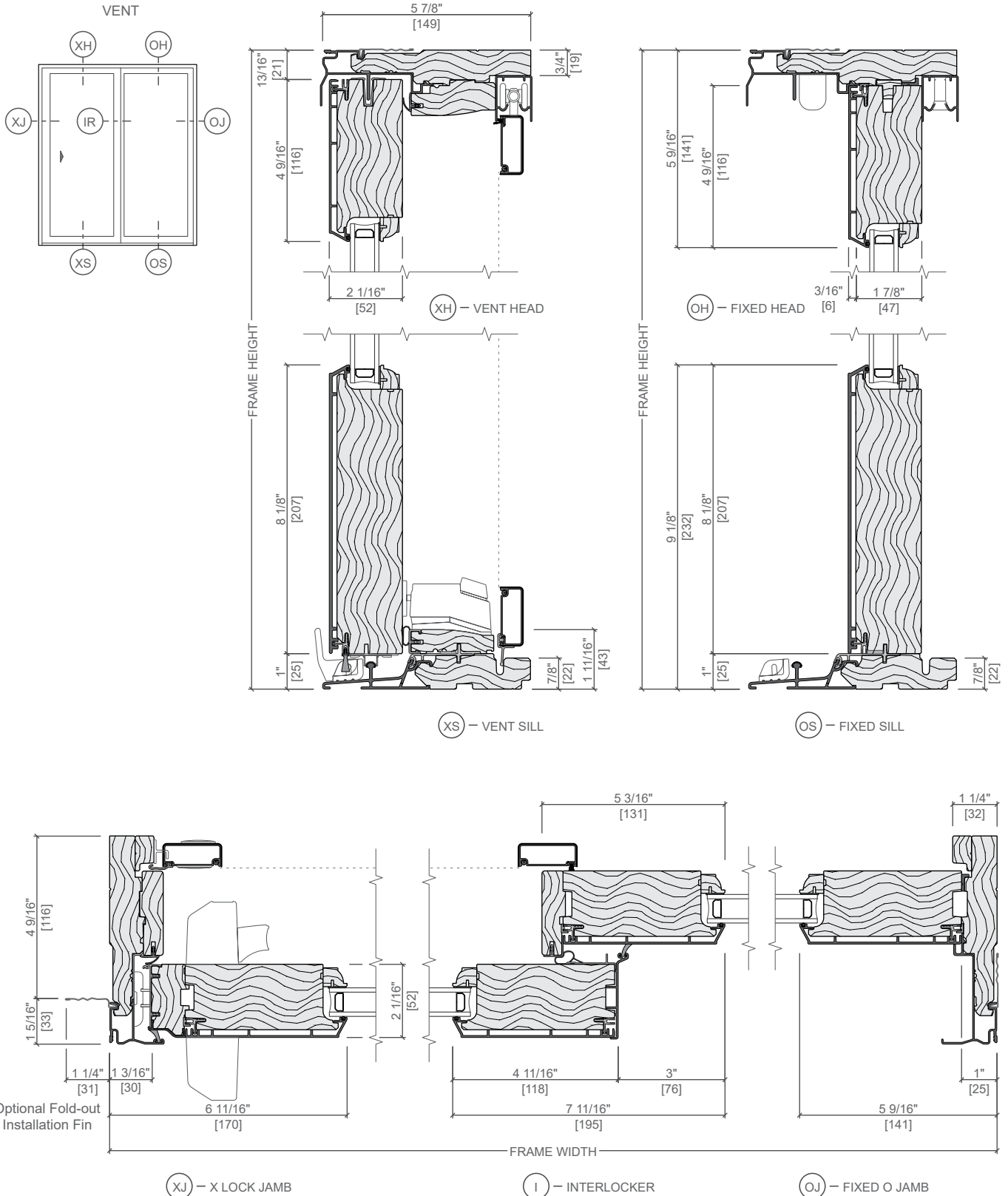
Scale 3" = 1' 0"

All dimensions are approximate.



Pella® Reserve™ Traditional Sliding Patio Door

Unit Sections Aluminum-Clad Exterior, Putty Glaze Exterior Profile



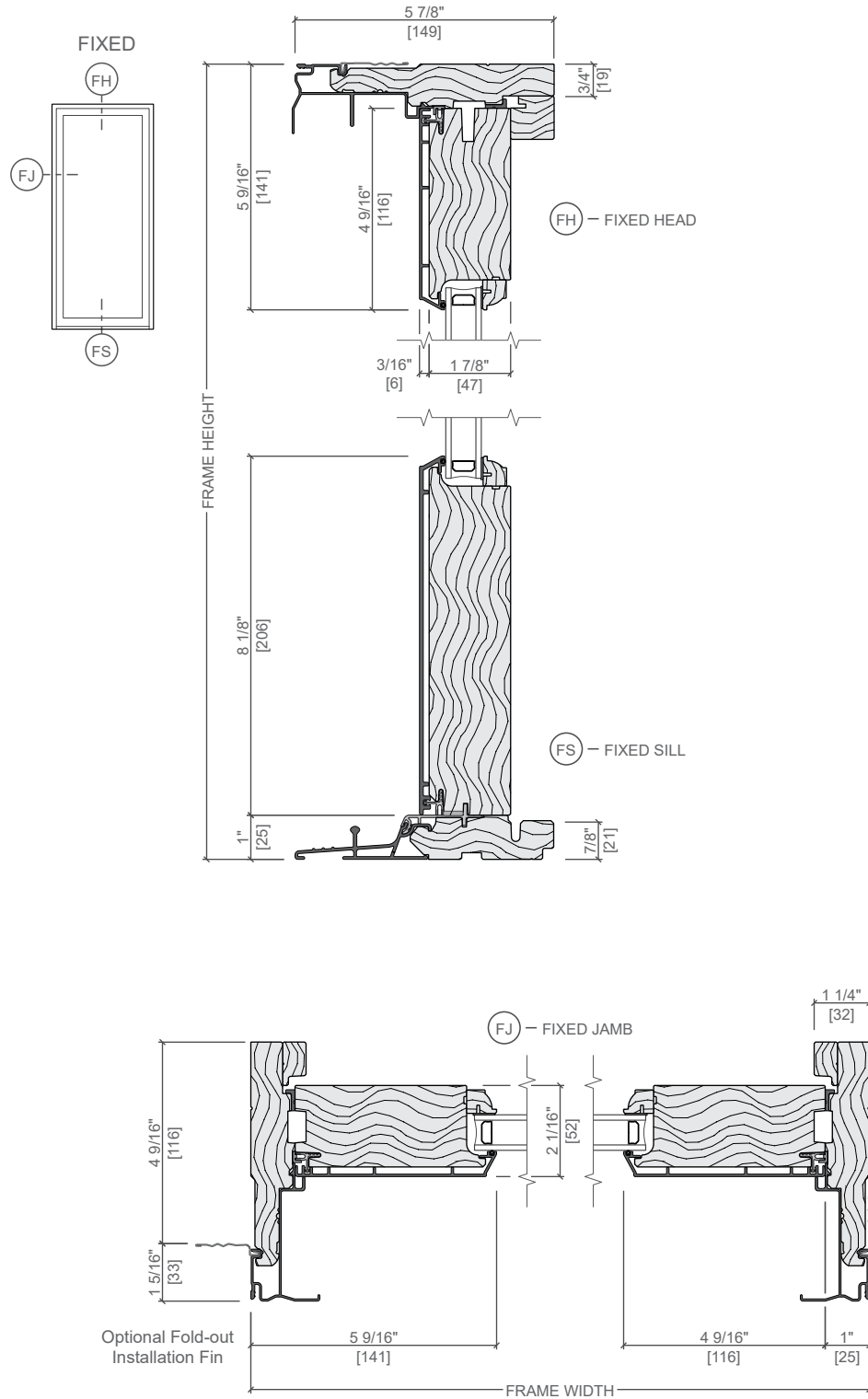
Scale 3" = 1' 0"

All dimensions are approximate.



Pella® Reserve™ Traditional Sliding Patio Door

Unit Sections Aluminum-Clad Exterior, Putty Glaze Exterior Profile



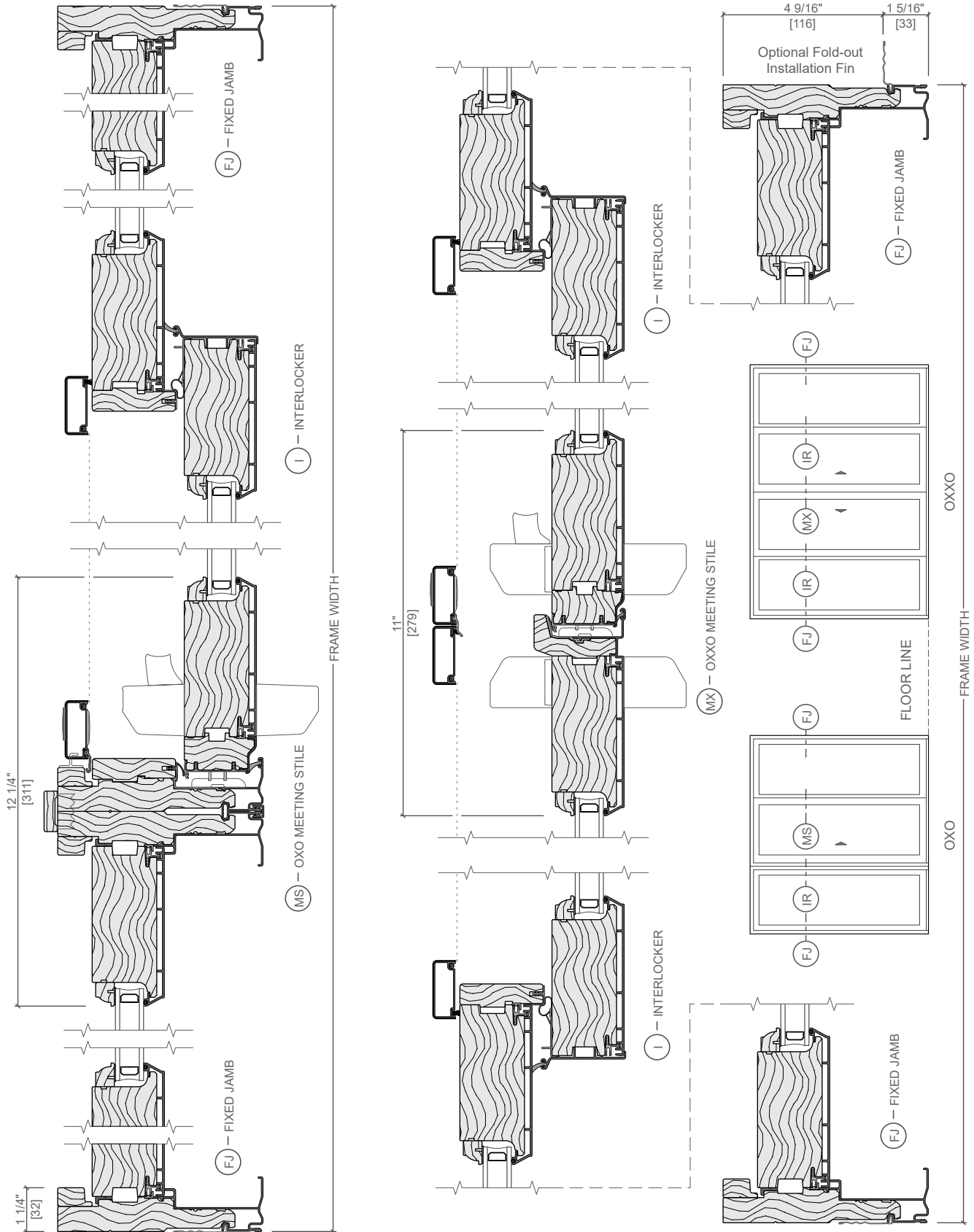
Scale 3" = 1' 0"

All dimensions are approximate.



Pella® Reserve™ Traditional Sliding Patio Door

Unit Sections Aluminum-Clad Exterior, Putty Glaze Exterior Profile



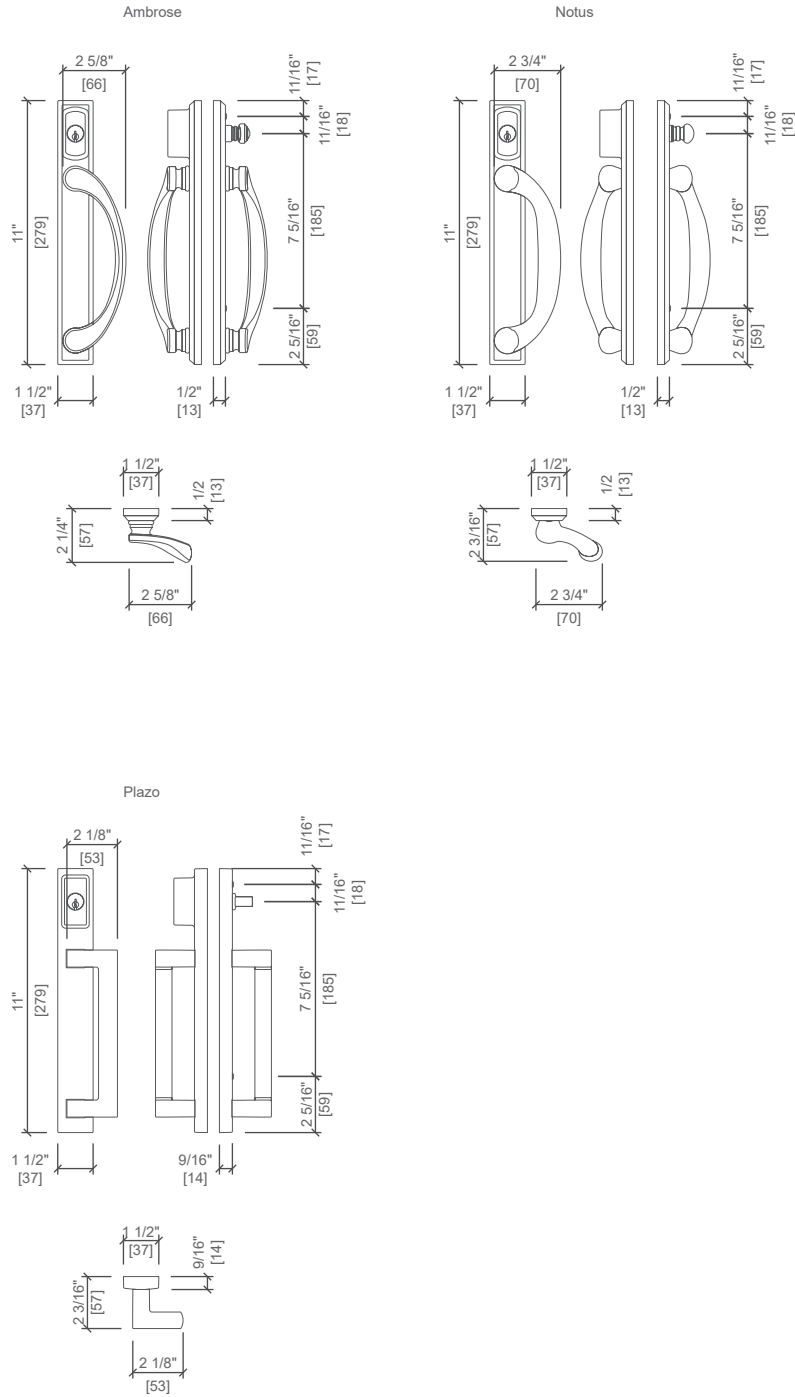
Scale 3" = 1' 0"

All dimensions are approximate.



Pella® Reserve™ Traditional Sliding Patio Door

Unit Sections - Handle Hardware Dimensions



All dimensions are approximate.