



**Introduction.....F-RN-2**

**Pocket Replacement Installation Details**

Single-Hung..... F-RN-3

Double-Hung..... F-RN-4

**Replacement Field Measurement Guide**

Wood Double-Hung Window Replacement ..... F-RN-5

Aluminum Window Replacement..... F-RN-6



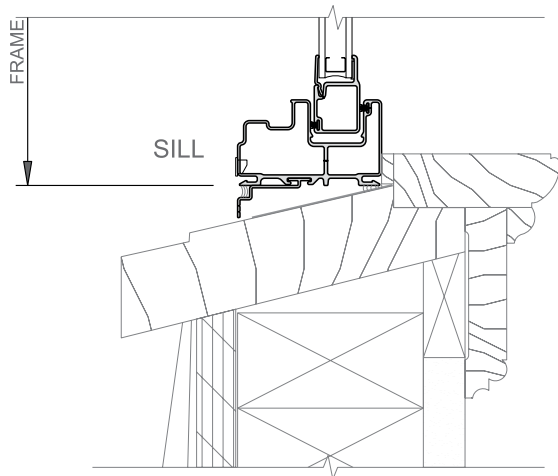
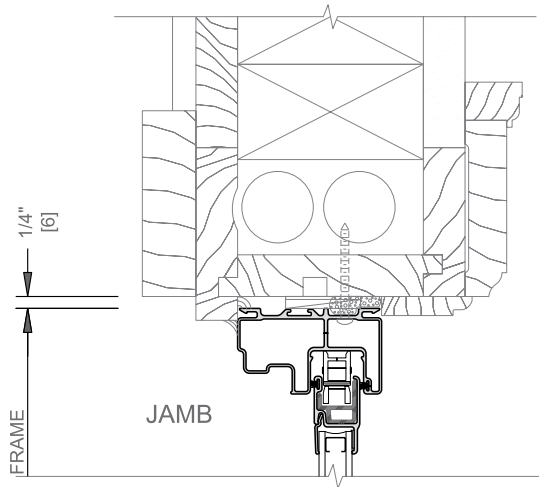
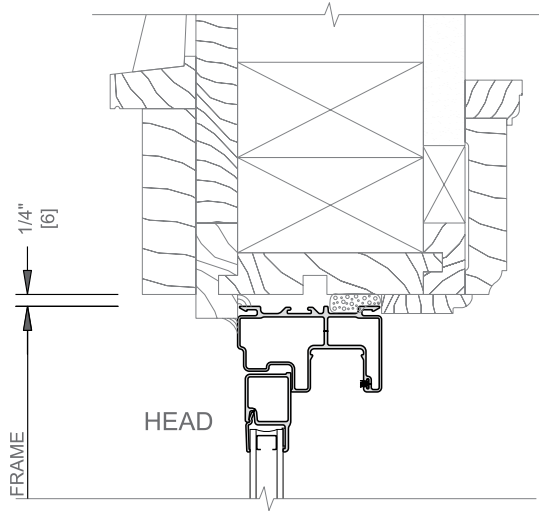
This section explores accessories, assembly systems and field measurement procedures required to meet the specific challenges of renovation and window replacement within existing construction.

Pella® Impervia® Pocket Replacement System is a fully assembled window that slides easily into the existing wood double-hung sash "pocket" created when the old sash is removed. This is done without damaging surrounding trim, wall paper, paint or plaster. Custom-built units are made to order in 1/4" increments to fit your existing window opening.



# Impervia® Renovation Applications

## Single-Hung Pocket Replacement Installation Details



**PELLA SMARTFLASH® FOIL BACKED BUTYL WINDOW AND DOOR FLASHING TAPE**  
Flashing tape is applied at the sill.

**SEALANT BY OTHERS**  
OSI Quad or Geocel Pro-Flex Tri-polymer Sealant.

**LOW EXPANSION, LOW PRESSURE POLYURETHANE INSULATING WINDOW AND DOOR FOAM SEALANT - (DO NOT USE HIGH PRESSURE OR LATEX FOAMS)**

Apply a continuous 1" bead of insulating foam to provide a full interior seal.

**SINGLE-HUNG SILL ADAPTER 0C2C.**

Scale 3" = 1' 0"

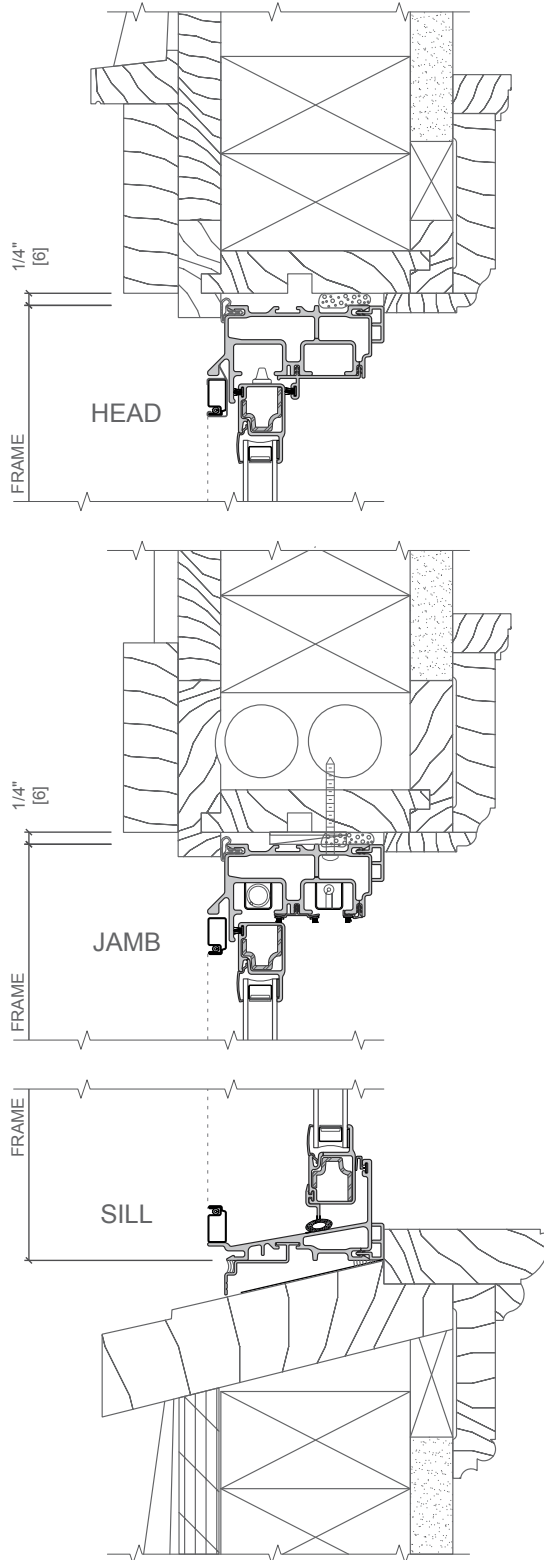
Items in bold are available from Pella.

Applies to openings up to 48" wide.



# Impervia® Renovation Applications

## Double-Hung Pocket Replacement Installation Details



**PELLA SMARTFLASH® FOIL BACKED BUTYL WINDOW AND DOOR FLASHING TAPE**  
Flashing tape is applied at the sill.

**SEALANT BY OTHERS.**  
OSI Quad or Geocel Pro-Flex Tri-polymer Sealant.

**LOW EXPANSION, LOW PRESSURE POLYURETHANE INSULATING WINDOW AND DOOR FOAM SEALANT - (DO NOT USE HIGH PRESSURE OR LATEX FOAMS)**  
Apply a continuous 1" bead of insulating foam to provide a full interior seal.

**DOUBLE-HUNG SILL ADAPTER 0DTE.**

**1/4" JAMB EXTENSION 0DST.**

Scale 3" = 1' 0"

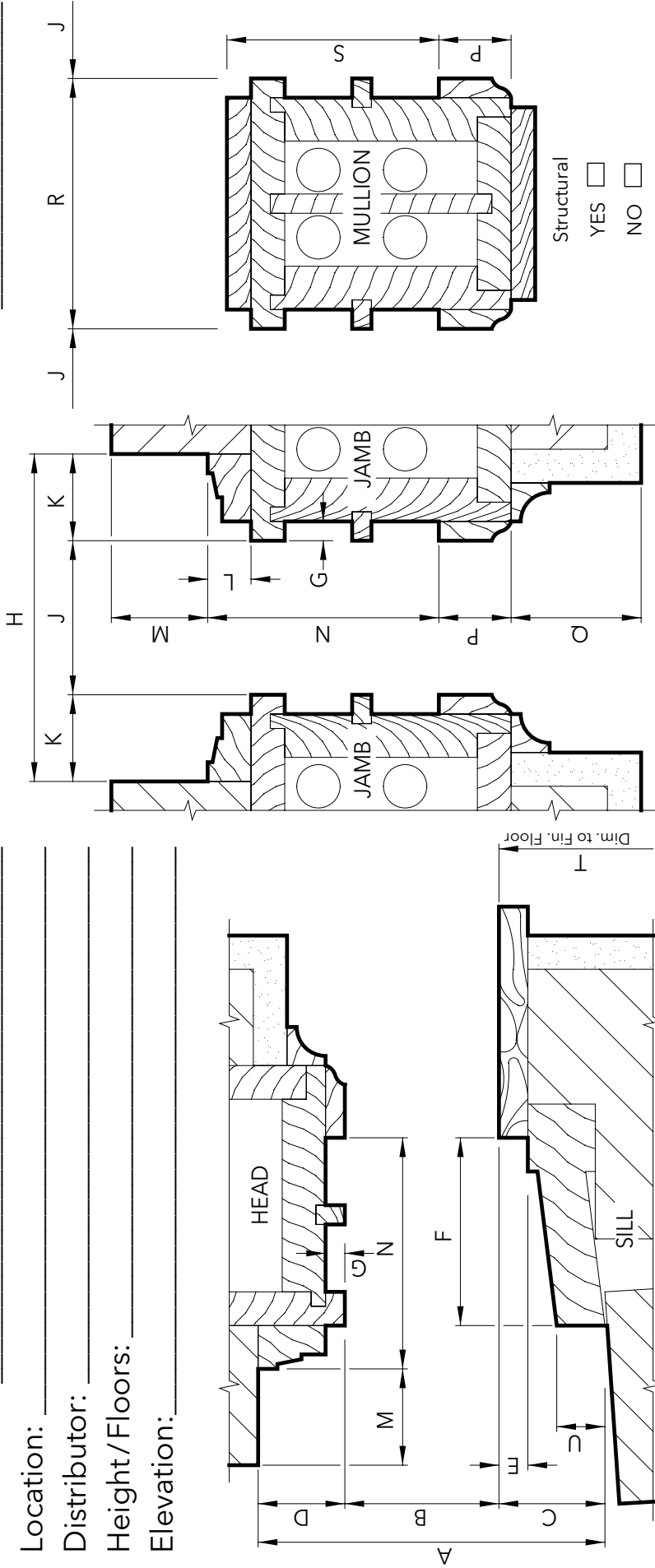
Items in bold are available from Pella.

# WINDOW REPLACEMENT FIELD MEASUREMENT GUIDE

(For Existing Wood Double-Hung Windows)

Job Name: \_\_\_\_\_  
 Location: \_\_\_\_\_  
 Distributor: \_\_\_\_\_  
 Height/Floors: \_\_\_\_\_  
 Elevation: \_\_\_\_\_

Date: \_\_\_\_\_



**NOTE** If existing conditions are different than shown, draw and dimension profile on another sheet.

MARK	QUANTITY	A	B	C	D	E	F	G

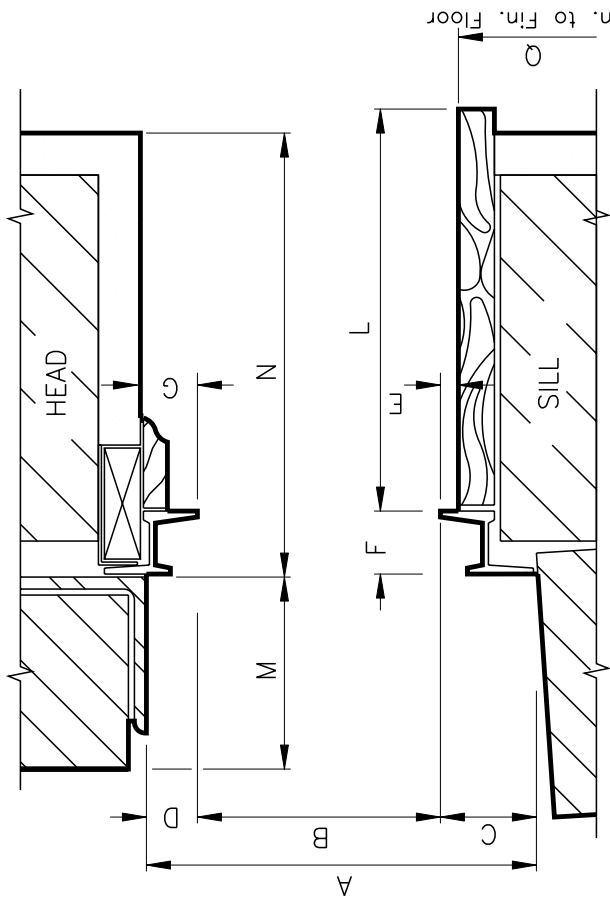
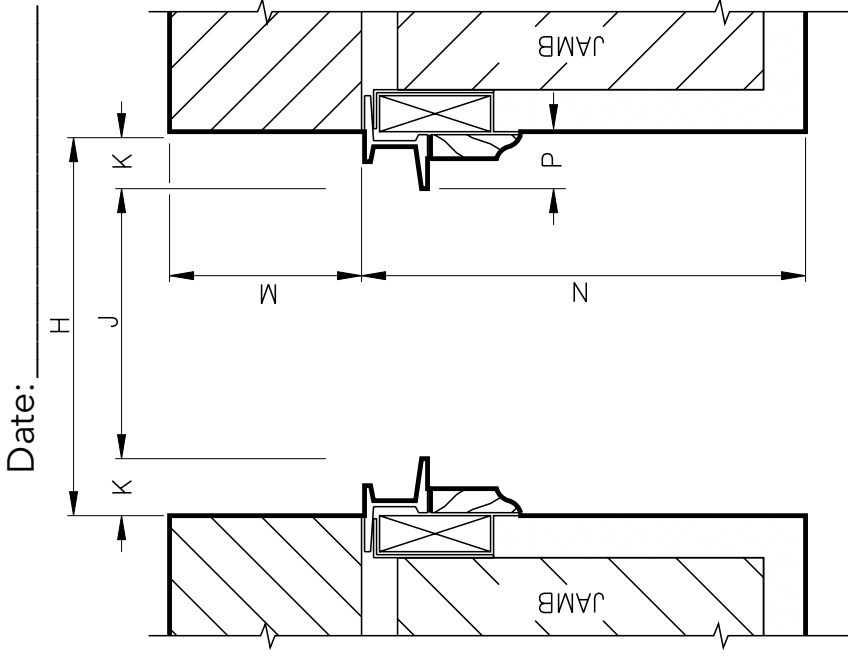
H	I	J	K	L	M	N	O	P	Q	R	S	T	U

Product Type: \_\_\_\_\_ Glazing: \_\_\_\_\_ Hardware/Option: \_\_\_\_\_  
 Pella Corporation, Pella, IA Sheet Number \_\_\_\_\_ of \_\_\_\_\_

# WINDOW REPLACEMENT FIELD MEASUREMENT GUIDE

(For Existing Steel or Aluminum Windows)

Job Name: \_\_\_\_\_  
 Location: \_\_\_\_\_  
 Distributor: \_\_\_\_\_  
 Height/Floors: \_\_\_\_\_  
 Elevation: \_\_\_\_\_



**NOTE** If existing conditions are different than shown, draw and dimension profile on another sheet.

MARK	QUANTITY	A	B	C	D	E	F	G
H		I	J	K	L	M	N	O

Product Type: \_\_\_\_\_ Glazing: \_\_\_\_\_ Hardware/Option: \_\_\_\_\_  
 Pella Corporation, Pella, IA Sheet Number \_\_\_\_\_ of \_\_\_\_\_