



## Introduction

Typical Sealant Placement Details.....F-ID-2

## Fin Installation Details

General Notes .....F-ID-3  
Integral Nailing Fin with Siding..... F-ID-4  
Integral Nailing Fin with Brick Veneer..... F-ID-6  
Integral Nailing Fin with Southwest-Style Hardcoat on Insulation Board .....F-ID-7  
Integral Nailing Fin with Vinyl Siding..... F-ID-8  
Block Frame Sliding Door with Siding..... F-ID-9  
Block Frame Sliding Door with Brick Veneer.....F-ID-10  
Block Frame Sliding Door with Southwest-Style Hardcoat Stucco on Insulation Board.....F-ID-11  
Block Frame Sliding Door with Vinyl Siding ..... F-ID-12

## Subsill and Receptor Installation Details

General Notes ..... F-ID-13  
L-Receptor Installation.....F-ID-14

## Clip Installation Details

General Notes ..... F-ID-15  
Block Frame Sliding Window with Concrete Block and Brick Veneer .....F-ID-16  
Block Frame Sliding Door with Concrete Block and Brick Veneer..... F-ID-17

## Pocket Replacement

General Notes ..... F-ID-19  
Block Frame Double-Hung Pocket Replacement .....F-ID-20

## Installation Accessories

Reinforcing Mullion Accessories ..... F-ID-22  
Interior Trim .....F-ID-30

The information published in this document is believed to be accurate at the time of publication. However, because we are constantly working to improve our products, specifications are subject to change without notice. Consult your local Pella representative for up-to-date product information.

Images included are not to scale, and may not show the latest version of any window or door product, review install instructions or consult Pella Architectural Services for applications.



This section presents typical construction details and available accessories for single units in new construction.

The objectives of installation systems are to:

- Secure the attachment of the window to the wall
- Limit air and water infiltration
- Allow for expansion and contraction

### Important

Determining and meeting the structural load requirements and design of the rough opening is the responsibility of the architect or engineer. Window frame systems are not designed to support additional elements or components of the building wall system.

Fins and clips are the two basic methods of the Pella® Impervia® window attachments.

- **Fin Installation**—applicable when window units can be installed from the exterior prior to applying lap siding or other cladding material.
- **Block Frame with Jamb Screws or Masonry Clips**—applicable when the construction materials or sequence dictates that window units be installed from the interior or after the wall system is completely constructed. This method of attachment is typical in projects with masonry veneer, such as brick or precast concrete.

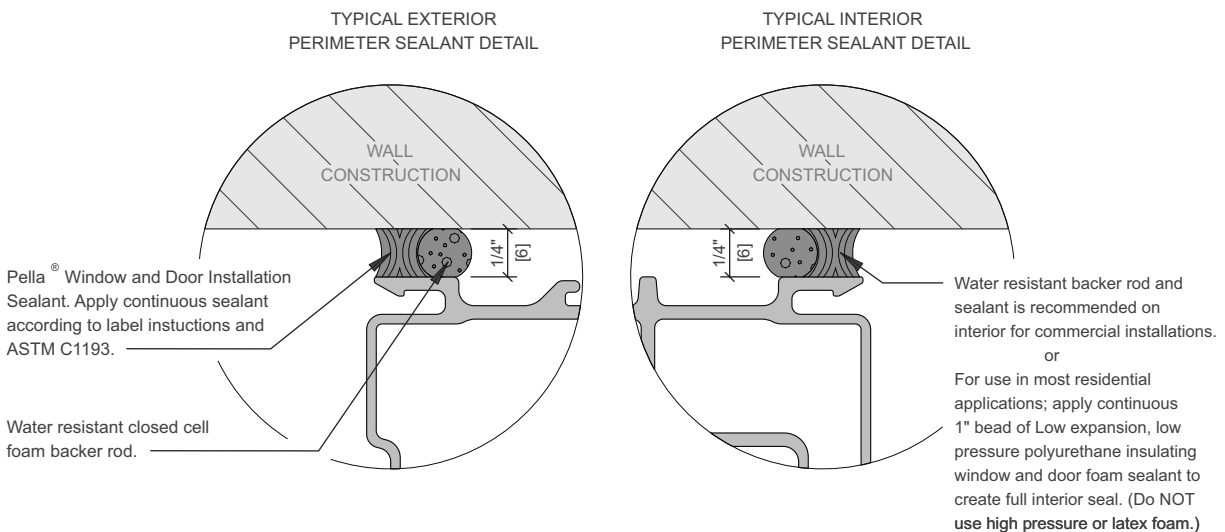
Aside from fins and clips for single punch openings, this section reviews other available Impervia accessories.

### Typical Sealant Placement Details

Proper application of perimeter sealant to prevent leakage around windows is the responsibility of the installer.

Use Pella Window and Door Installation Sealant or equivalent high quality, multi-purpose sealant. Typical sealant placement details are shown below. Apply sealants according to their label directions and ASTM C1193. Refer to the Installation Accessories on the following pages and the Composite and Combination section for additional information.

**Special Note:** Some manufacturers of sealants recommend or require the use of primers to ensure adequate adhesion to painted porous surfaces.





### When to Use this Installation Method

This installation is best for construction methods that will permit the unit to be installed from the exterior prior to the lap siding or other similar material.

There are different fin installations to consider:

**Integral Nailing Fin Design**—features a continuous fin allowing the window frame to be integrated into the building's weather resistive wrap using the Pella SmartFlash® Tape installation method.

The addition of the standard fin allows the window to be installed in the same manner as the Integral Nailing Fin design. The fins allow the window frame to be integrated into the building's weather resistive wrap using the Pella SmartFlash® Tape installation method.

Block Frame units can be field-joined together (see Composites and Combinations section for joining limitations); and may easily be used in a replacement window without removing the existing frame or damaging the exterior.

### Products Available for this Installation

All Pella® Impervia® windows and doors.

### Important Installation Procedures

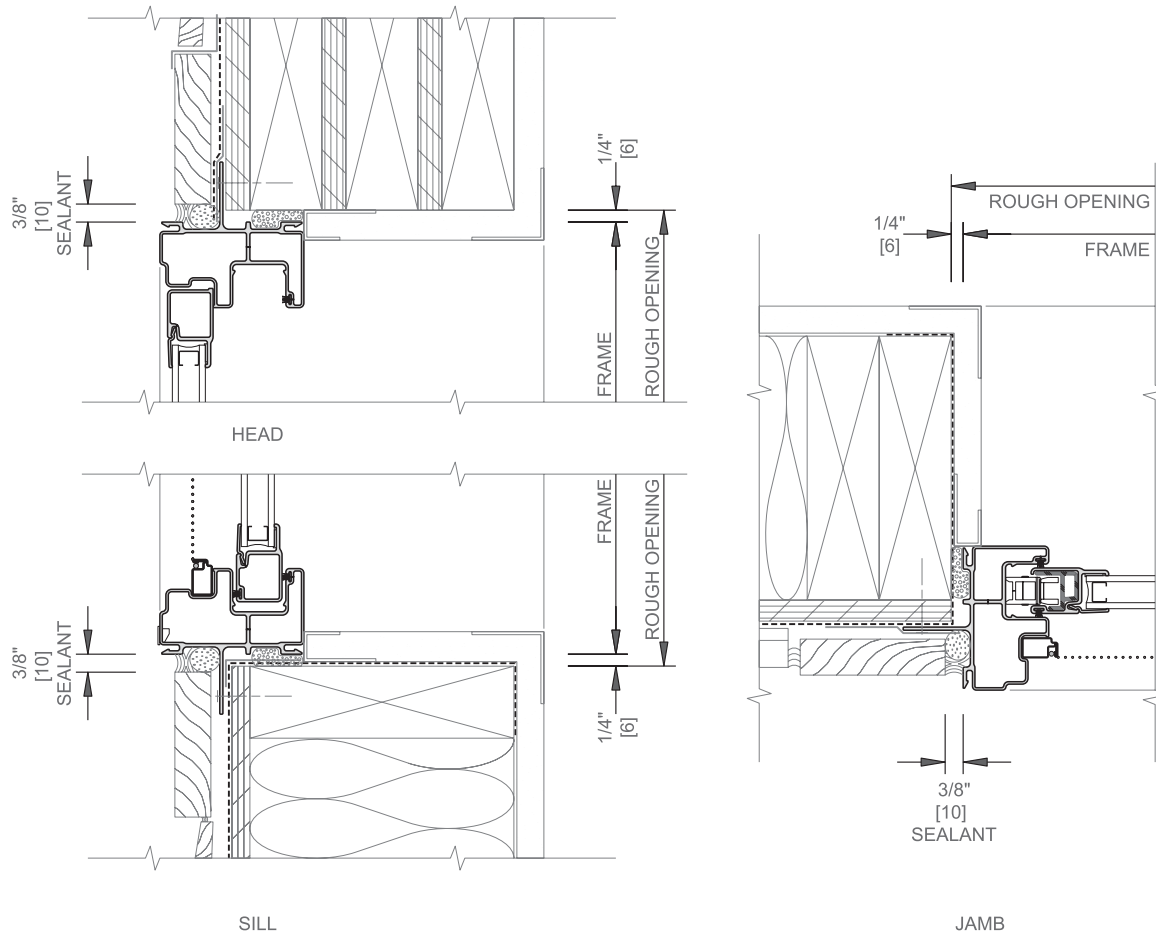
- When rigid insulation or other compressible sheathing is used, provide solid blocking for fin attachment.
- Shim unit in the opening plumb level and square.
- Provide a primary and secondary air and water seal around the perimeter of the unit.
- **Primary Seal**—Seal the unit to the exterior finish material.
- **Secondary Seal**—Apply Pella SmartFlash® foil backed butyl window and door flashing tape (or equivalent) at rough opening sill and over installation fins at head and jambs in watershed order. See product installation instructions for detailed directions.
- **Interior Air Seal**—Apply around the perimeter of the unit by applying a one inch deep bead of low expansion, low pressure polyurethane insulating window and door foam sealant - (DO NOT use high pressure or latex foams)
- Commercial and/or large complex composites may require additional installation design considerations and attachments. See the Composites and Combinations section of this manual.
- See page 2 in this section for typical sealant placement details.

### Notes

- Details shown are not intended to reflect complete installation procedures, however they do reflect basic installation concepts. Refer to window and door installation instructions provided with the product for detailed directions.
- Details show various wall systems with different types of Impervia products. Details with other Pella products in the same wall construction should be similar.
- Figures in parentheses following or adjacent to dimensions are International (metric) equivalents in millimeters. For metric equivalents other than those shown, multiply dimensions in inches by 25.4.
- Your local Pella sales representative can assist with other more complex and unique applications.



Integral Nailing Fin With Siding



**WATER RESISTANT BARRIER BY OTHERS**  
Continuous water-resistive barrier attached to the wall sheathing.

**FLASHING BY OTHERS**  
Metal head flashing.

**SMARTFLASH® INSTALLATION TAPE**  
Integrate the window and door flashing tape into the wall system.

**SHIM AND PLUMB UNITS AS REQUIRED BY OTHERS.**

Attach unit to wall construction with nails or screws at each pre-punched hole in the installation fin.

**PELLA WINDOW AND DOOR INSTALLATION SEALANT AND WATER RESISTANT BACKER ROD.** Apply continuous sealant according to label directions and ASTM C1193.

**Low expansion, low pressure polyurethane insulating window and door foam sealant - (DO NOT use high pressure or latex foams)**  
Apply a continuous 1" bead of insulating foam to provide a full interior seal.

Scale 3" = 1' 0"

Items in bold are available from Pella.

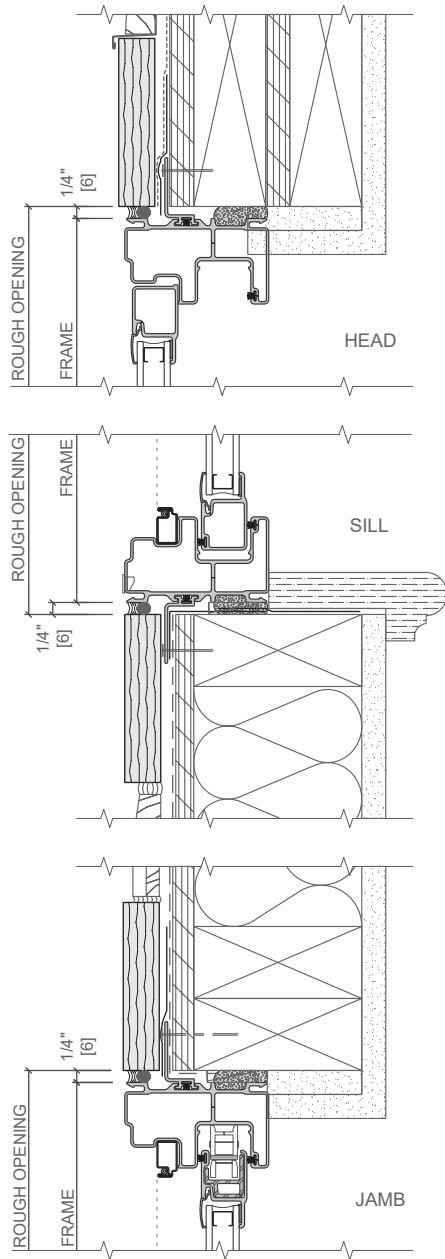
These details are for typical single punch openings. See Composite and Combinations for multiple-unit considerations.

See page 3 in this section for typical sealant details.

Refer to the appropriate Pella Impervia installation instruction for step by step instructions.



Offset Nailing Fin With Flat Wood Trim



**WATER RESISTANT BARRIER BY OTHERS**  
Continuous water-resistive barrier attached to the wall sheathing.

**FLASHING BY OTHERS**  
Metal head flashing.

**SMARTFLASH® INSTALLATION TAPE**  
Integrate the window and door flashing tape into the wall system.

**SHIM AND PLUMB UNITS AS REQUIRED BY OTHERS.**

Attach unit to wall construction with nails or screws at each pre-punched hole in the installation fin.

**PELLA WINDOW AND DOOR INSTALLATION SEALANT AND WATER RESISTANT BACKER ROD.** Apply continuous sealant according to label directions and ASTM C1193.

**Low expansion, low pressure polyurethane insulating window and door foam sealant - (DO NOT use high pressure or latex foams)**

Apply a continuous 1" bead of insulating foam to provide a full interior seal.

Scale 3" = 1' 0"

Items in bold are available from Pella.

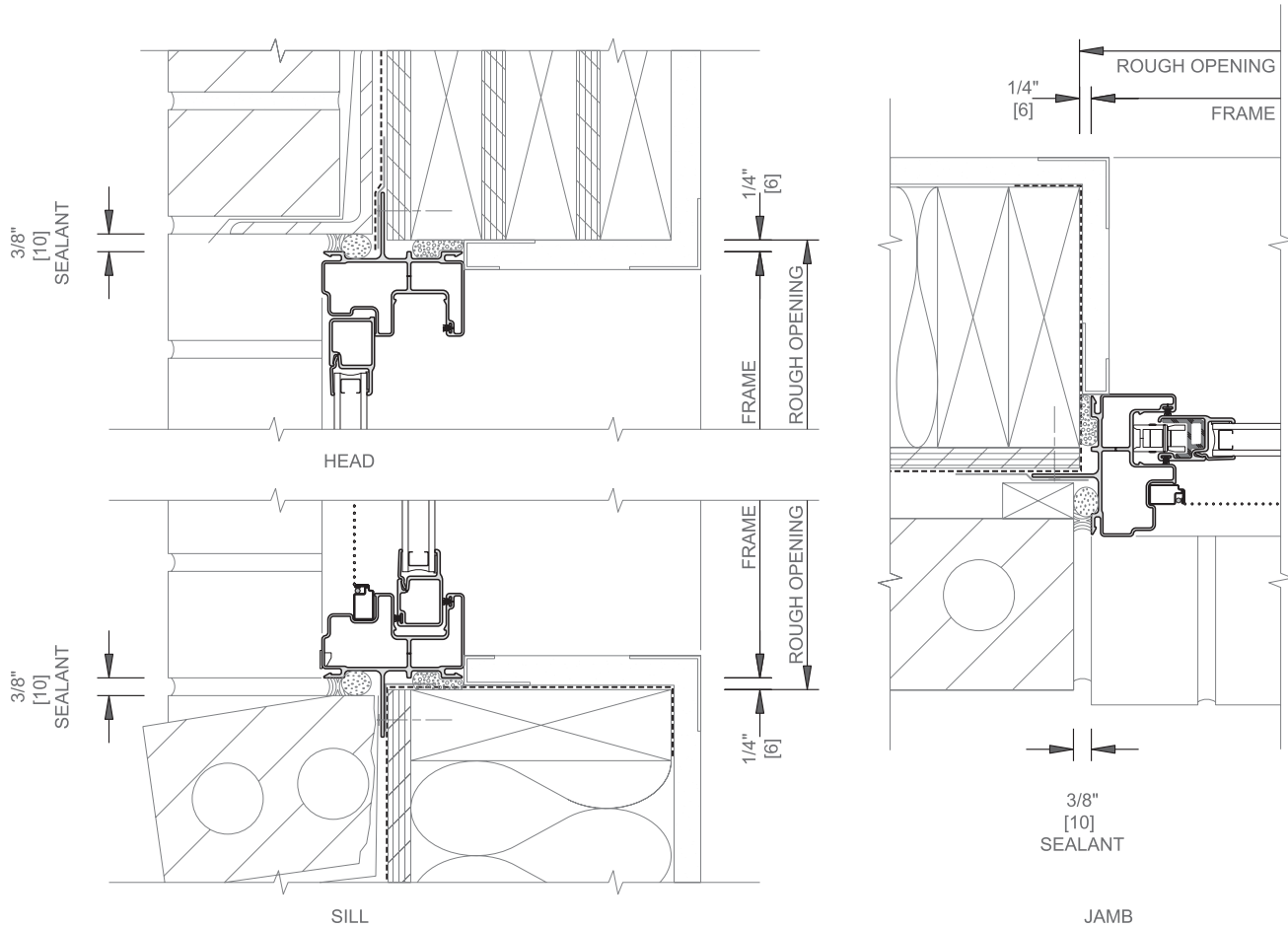
These details are for typical single punch openings. See Composite and Combinations for multiple-unit considerations.

See page 3 in this section for typical sealant details.

Refer to the appropriate Pella Impervia installation instruction for step by step instructions.



Integral Nailing Fin With Brick Veneer



**WATER RESISTANT BARRIER BY OTHERS**

Continuous water-resistive barrier attached to the wall sheathing.

**SMARTFLASH® INSTALLATION TAPE**

Integrate the window and door flashing tape into the wall system.

Attach unit to wall construction with nails or screws at each pre-punched hole in the installation fin.

**Pella Window and Door Installation Sealant and water resistant backer rod.** Apply continuous sealant according to label directions and ASTM C1193.

**Low expansion, low pressure polyurethane insulating window and door foam sealant - (DO NOT use high pressure or latex foams)**

Apply a continuous 1" bead of insulating foam to provide a full interior seal.

**THROUGH-WALL CAVITY FLASHING WITH WEEPS AT HEAD AND SILL BY OTHERS.**

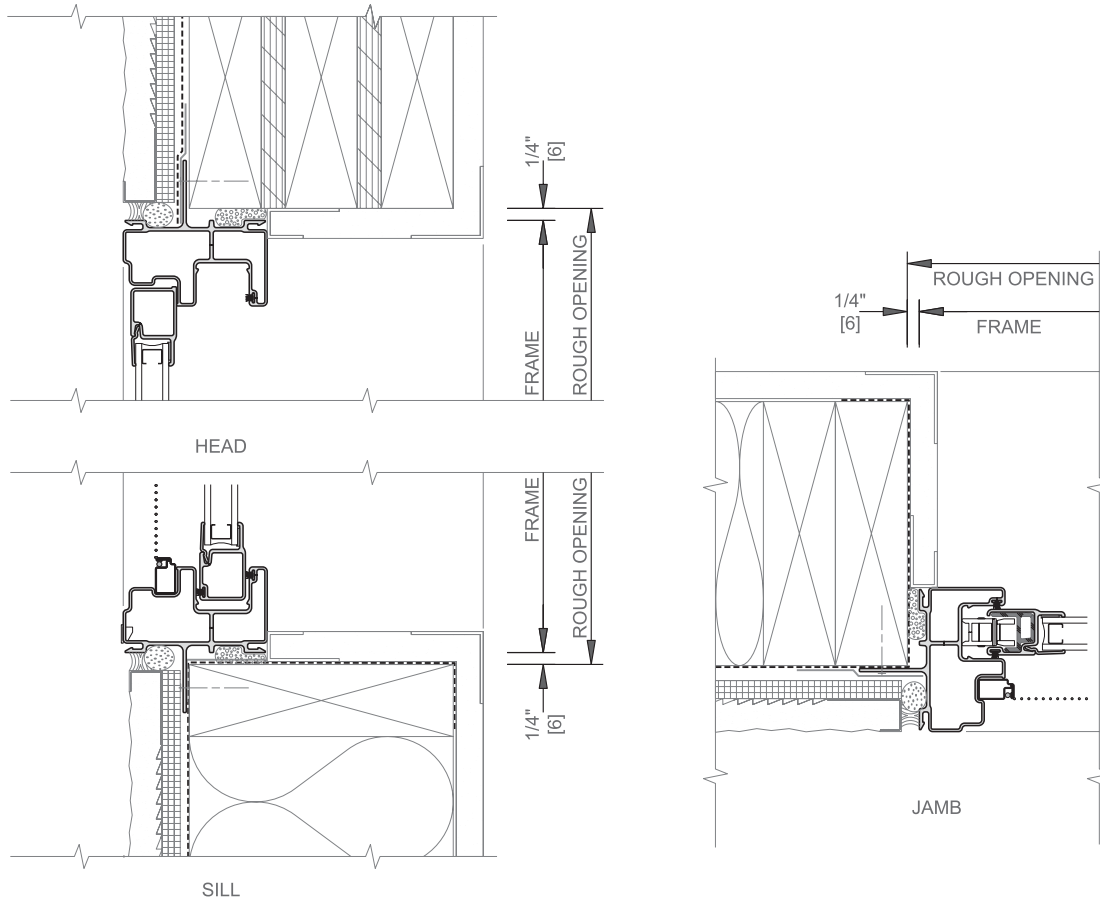
Scale 3" = 1' 0"

Items in bold are available from Pella.

These details are for typical single punch openings. See Composite and Combinations for multiple-unit considerations.

See page 3 in this section for typical sealant details.

Refer to the appropriate Pella Impervia installation instruction for step by step instructions.



**WATER RESISTANT BARRIER BY OTHERS**

Continuous water-resistive barrier attached to the wall sheathing.

**SMARTFLASH® INSTALLATION TAPE**

Integrate the window and door flashing tape into the wall system.

Attach unit to wall construction with nails or screws at each pre-punched hole in the installation fin.

**Pella Window and Door Installation Sealant and water resistant backer rod.** Apply continuous sealant according to label directions and ASTM C1193.

**Low expansion, low pressure polyurethane insulating window and door foam sealant - (DO NOT use high pressure or latex foams)**

Apply a continuous 1" bead of insulating foam to provide a full interior seal.

Scale 3" = 1' 0"

Items in bold are available from Pella.

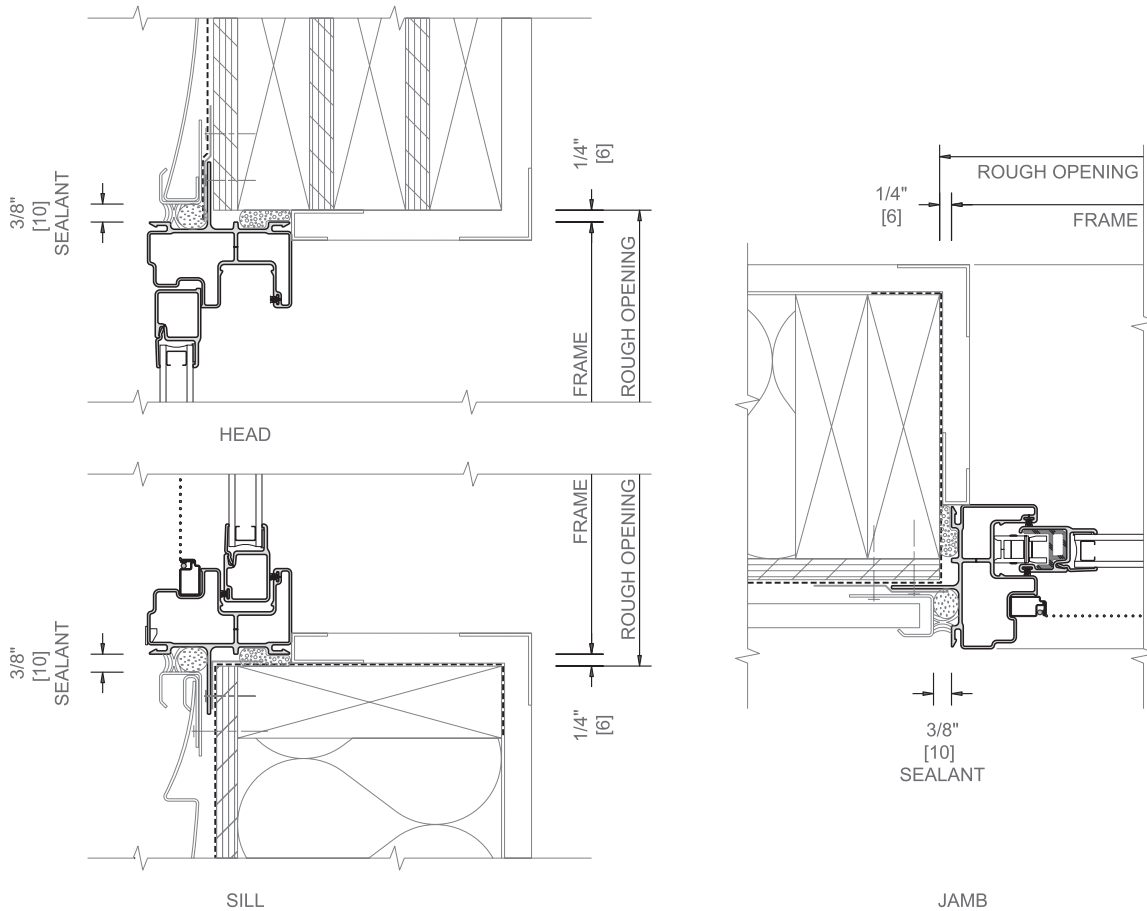
These details are for typical single punch openings. See Composite and Combinations for multiple-unit considerations.

See page 3 in this section for typical sealant details.

Refer to the appropriate Pella Impervia installation instruction for step by step instructions.



Integral Nailing Fin With Vinyl Siding



**WATER RESISTANT BARRIER BY OTHERS**

Continuous water-resistive barrier attached to the wall sheathing.

**FLASHING BY OTHERS**

Metal head flashing.

**SMARTFLASH® INSTALLATION TAPE**

Integrate the window and door flashing tape into the wall system.

**SHIM AND PLUMB UNITS AS REQUIRED BY OTHERS.**

Attach unit to wall construction with nails or screws at each pre-punched hole in the installation fin.

**Pella Window and Door Installation Sealant and water resistant backer rod.** Apply continuous sealant according to label directions and ASTM C1193.

**Low expansion, low pressure polyurethane insulating window and door foam sealant - (DO NOT use high pressure or latex foams)**

Apply a continuous 1" bead of insulating foam to provide a full interior seal.

Scale 3" = 1' 0"

Items in bold are available from Pella.

These details are for typical single punch openings. See Composite and Combinations for multiple-unit considerations.

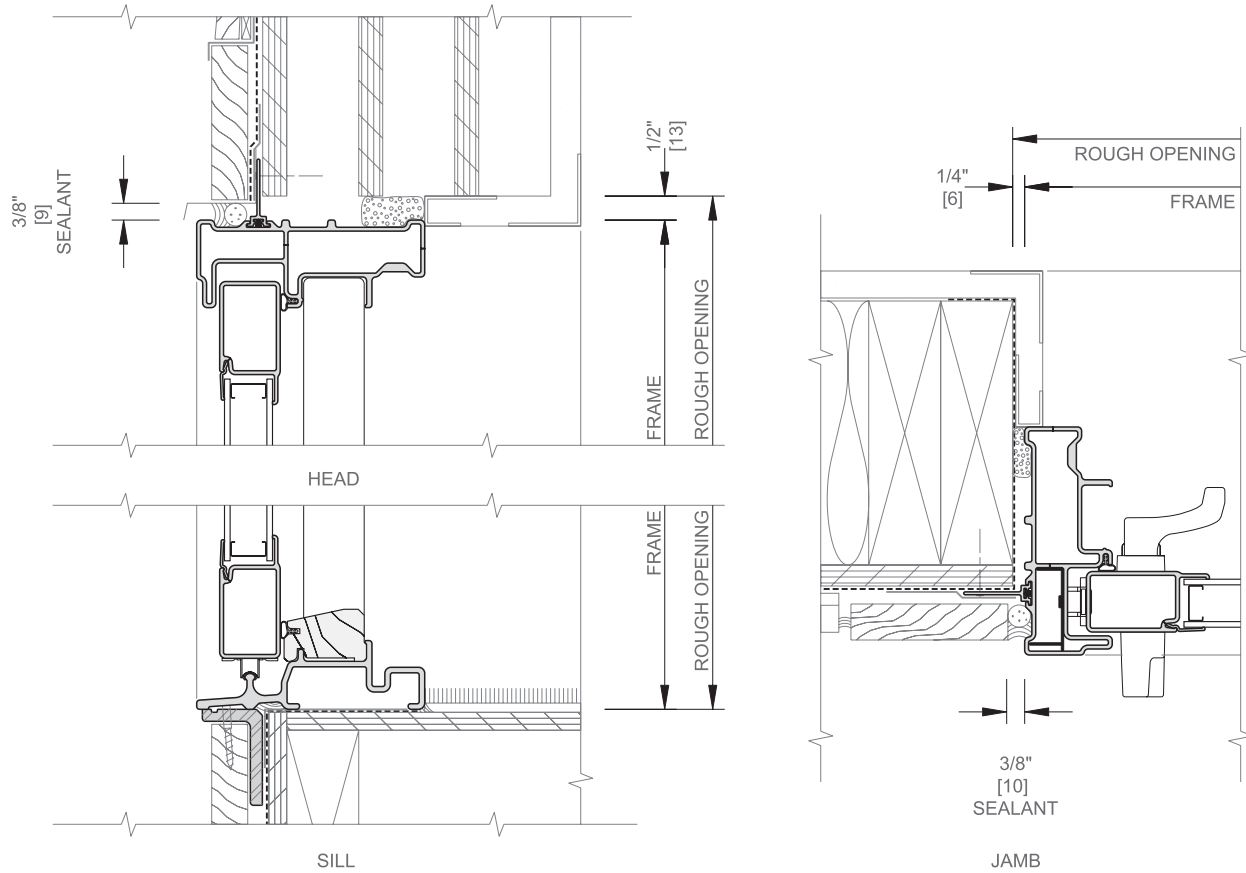
See page 3 in this section for typical sealant details.

Refer to the appropriate Pella Impervia installation instruction for step by step instructions.





Block Frame with Applied Nailing Fin, Classic Sliding Door With Siding



**WATER RESISTANT BARRIER BY OTHERS**

Continuous water-resistive barrier attached to the wall sheathing.

**FLASHING BY OTHERS**

Metal head flashing.

**SMARTFLASH® INSTALLATION TAPE**

Integrate the window and door flashing tape into the wall system.

SHIM AND PLUMB UNITS AS REQUIRED BY OTHERS.

**INSTALLATION FIN 0C9Q**

Attach unit to wall construction with nails or screws at each pre-punched hole in the installation fin.

**Pella Window and Door Installation Sealant and water resistant backer rod.**

Apply continuous sealant according to label directions and ASTM C1193.

**Low expansion, low pressure polyurethane insulating window and door foam sealant - (DO NOT use high pressure or latex foams)**

Apply a continuous 1" bead of insulating foam to provide a full interior seal.

Sill Support by others.

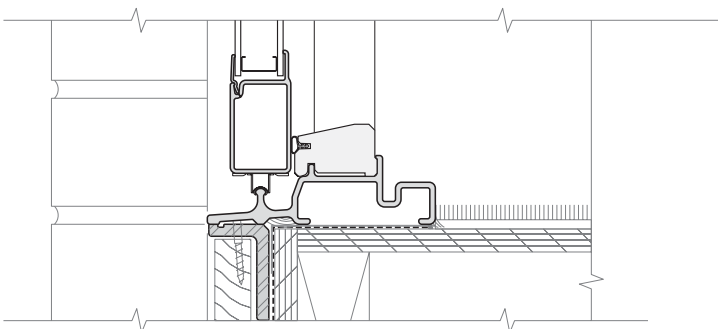
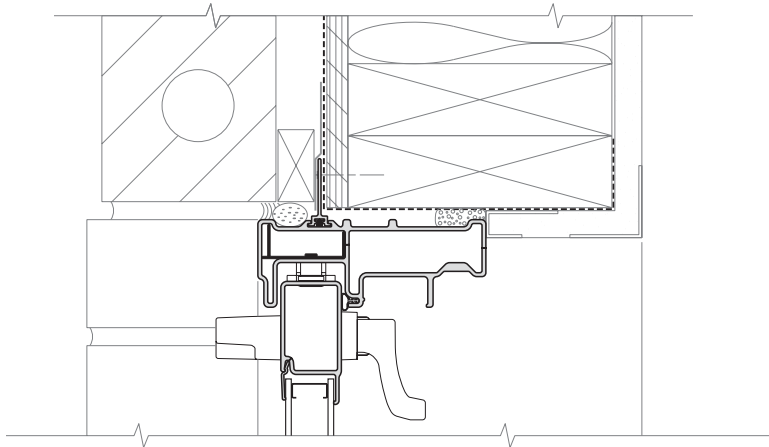
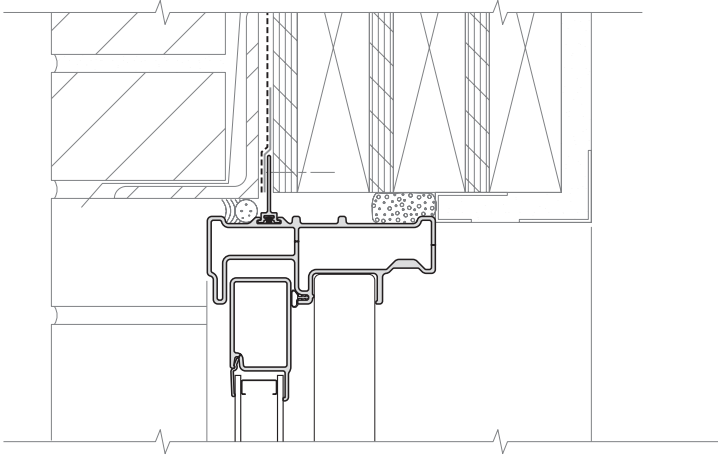
Scale 3" = 1' 0"

Items in bold are available from Pella.

These details are for typical single punch openings. See Composite and Combinations for multiple-unit considerations.

See page 3 in this section for typical sealant details.

Refer to the appropriate Pella Impervia product section for product details, and installation instruction for step by step instructions.



THROUGH-WALL CAVITY FLASHING WITH WEEPS AT HEAD AND SILL BY OTHERS.

SHIM AND PLUMB UNITS AS REQUIRED BY OTHERS.

**INSTALLATION FIN 0C9Q**

Attach unit to wall construction with nails or screws at each pre-punched hole in the installation fin.

**Pella Window and Door Installation Sealant and water resistant backer rod.** Apply continuous sealant according to label directions and ASTM C1193.

**Low expansion, low pressure polyurethane insulating window and door foam sealant - (DO NOT use high pressure or latex foams)**

Apply a continuous 1" bead of insulating foam to provide a full interior seal.

Scale 3" = 1' 0"

Items in bold are available from Pella.

These details are for typical single punch openings. See Composite and Combinations for multiple-unit considerations.

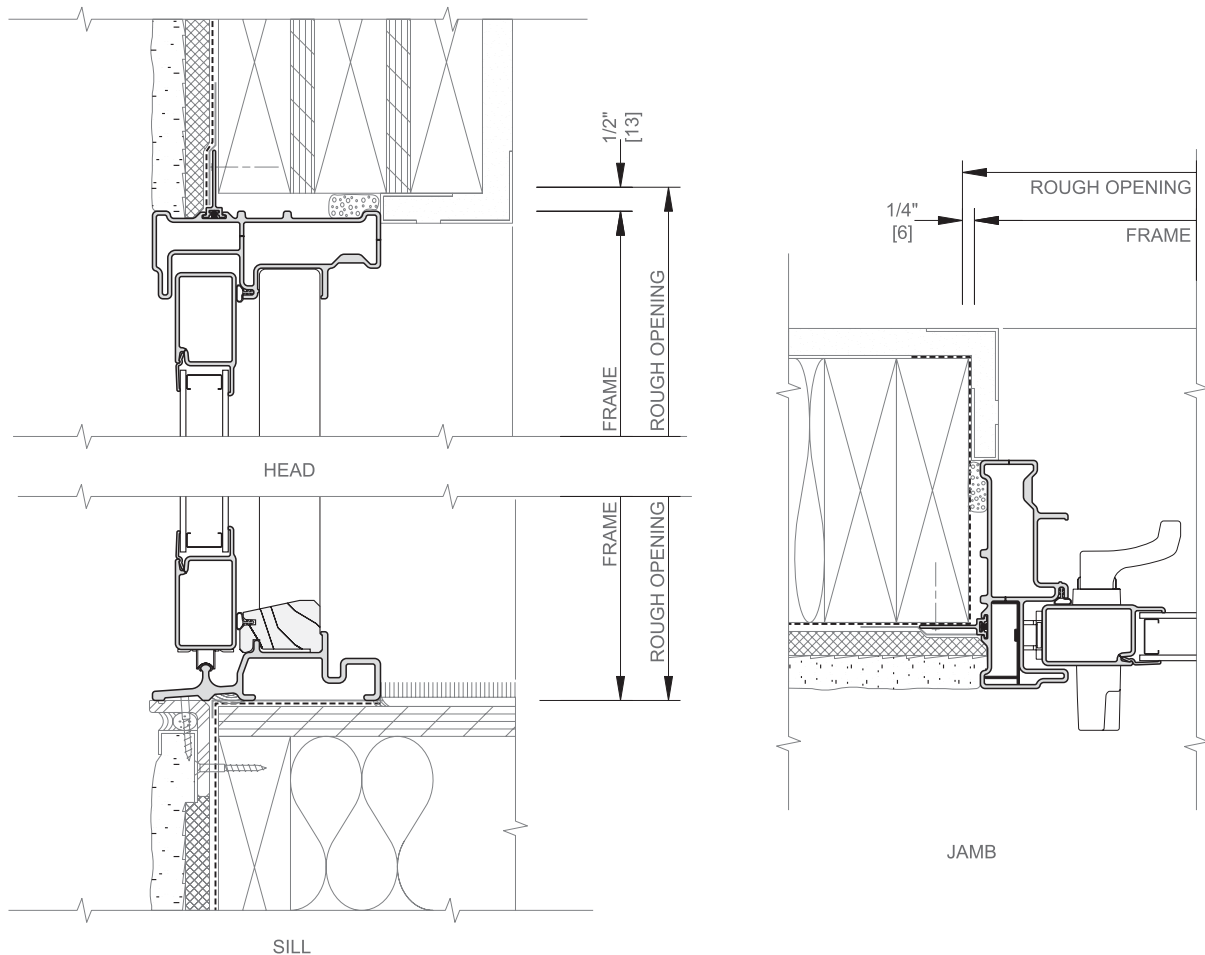
See page 3 in this section for typical sealant details.

Refer to the appropriate Pella Impervia product section for product details, and installation instruction for step by step instructions.



## Impervia® Installation Details and Accessories

### Block Frame with Applied Nailing Fin, Classic Sliding Door With Southwest-Style Hardcoat



#### WATER RESISTANT BARRIER BY OTHERS

Continuous water-resistive barrier attached to the wall sheathing.

#### FLASHING BY OTHERS

Metal head flashing.

#### SMARTFLASH® INSTALLATION TAPE

Integrate the window and door flashing tape into the wall system.

#### SHIM AND PLUMB UNITS AS REQUIRED BY OTHERS.

#### INSTALLATION FIN 0C9Q

Attach unit to wall construction with nails or screws at each pre-punched hole in the installation fin.

**Pella Window and Door Installation Sealant and water resistant backer rod.** Apply continuous sealant according to label directions and ASTM C1193.

#### **Low expansion, low pressure polyurethane insulating window and door foam sealant - (DO NOT use high pressure or latex foams)**

Apply a continuous 1" bead of insulating foam to provide a full interior seal

Sill Support by others.

Scale 3" = 1' 0"

Items in bold are available from Pella.

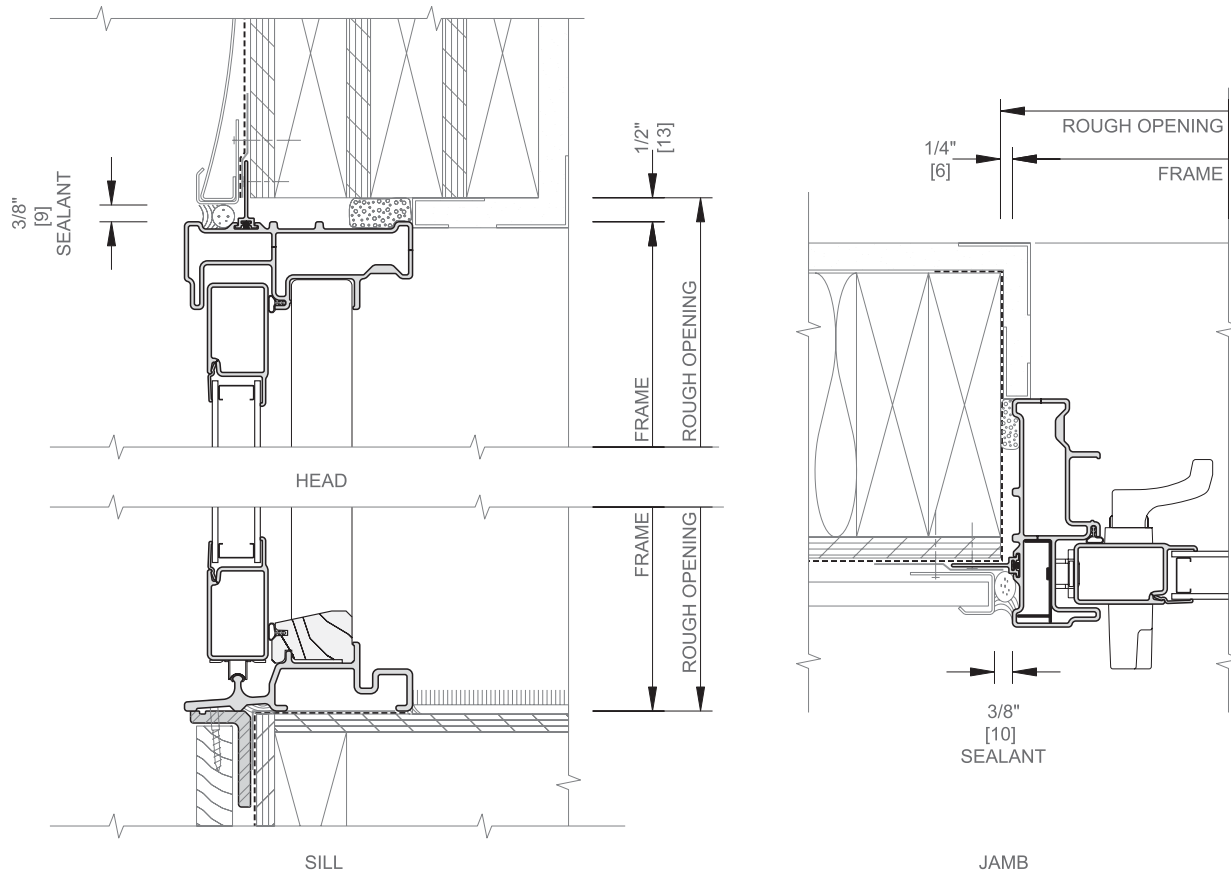
These details are for typical single punch openings. See Composite and Combinations for multiple-unit considerations.

See page 3 in this section for typical sealant details.

Refer to the appropriate Pella Impervia product section for product details, and installation instruction for step by step instructions.



Block Frame with Applied Nailing Fin, Classic Sliding Door With Vinyl Siding



**WATER RESISTANT BARRIER BY OTHERS**

Continuous water-resistive barrier attached to the wall sheathing.

**FLASHING BY OTHERS**

Metal head flashing.

**SMARTFLASH® INSTALLATION TAPE**

Integrate the window and door flashing tape into the wall system.

SHIM AND PLUMB UNITS AS REQUIRED BY OTHERS.

**INSTALLATION FIN 0C9Q**

Attach unit to wall construction with nails or screws at each pre-punched hole in the installation fin.

PELLA WINDOW AND DOOR INSTALLATION SEALANT AND WATER RESISTANT BACKER ROD. Apply continuous sealant according to label directions and ASTM C1193.

**Low expansion, low pressure polyurethane insulating window and door foam sealant - (DO NOT use high pressure or latex foams)**

Apply a continuous 1" bead of insulating foam to provide a full interior seal.

Sill Support by others.

Scale 3" = 1' 0"

Items in bold are available from Pella.

These details are for typical single punch openings. See Combinations for multiple-unit considerations.

See page 3 in this section for typical sealant details.

Refer to the appropriate Pella Impervia product section for product details, and installation instruction for step by step instructions.



### When To Use Subsill and Receptor Installation Method

- When there is no place to fold out a fin for nailing.
- In applications where construction sequence dictates units be installed from the interior, or after the wall system is completely constructed. Or in multi-story buildings requiring installation from the interior or when a more robust installation method is desired.

### Products Available for this Installation

All Pella® Impervia® windows.

### Important Installation Procedures

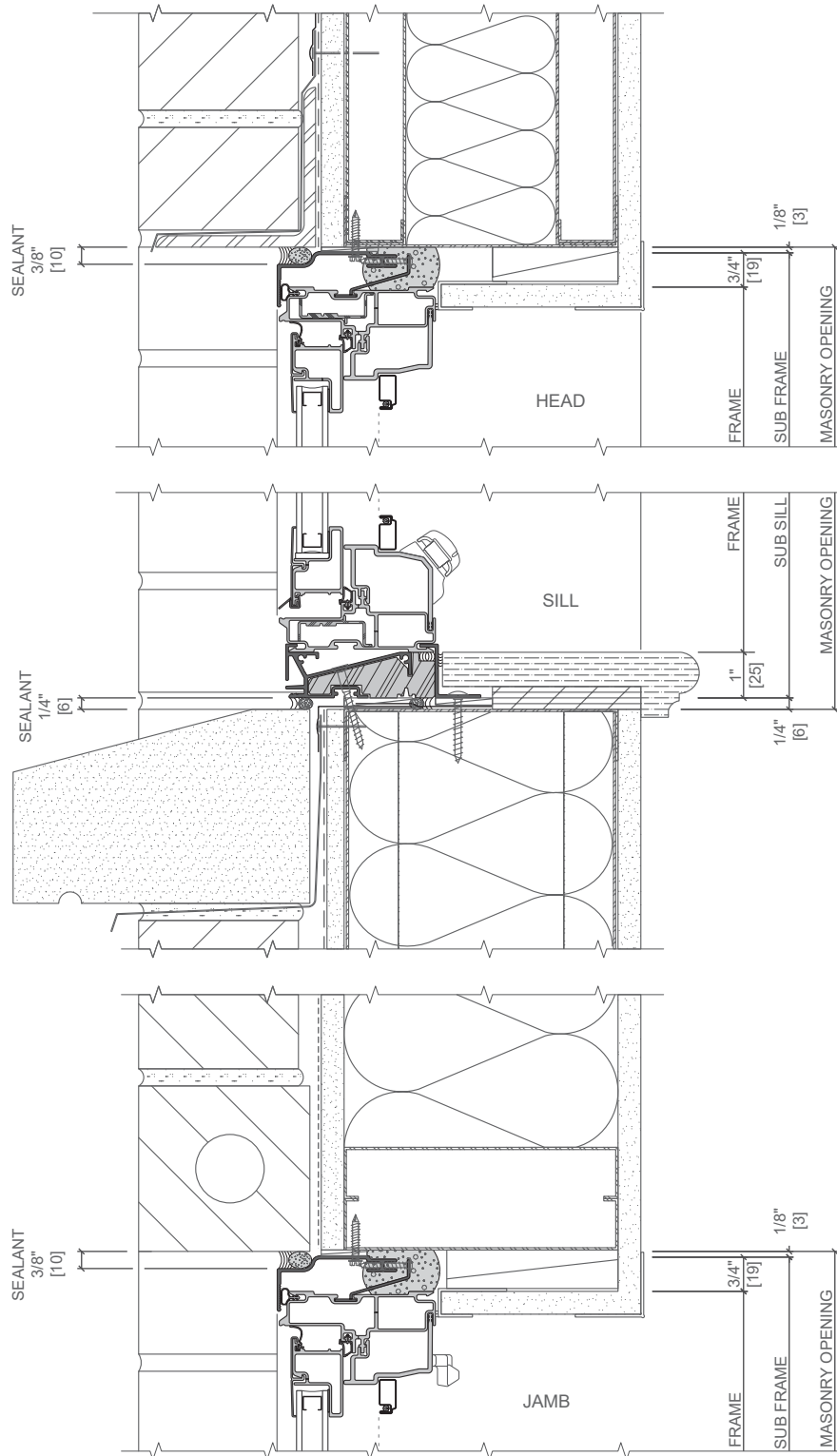
- Install receptor system in the opening plumb, level and square.
- Provide a primary and secondary air and water seal around the perimeter of the unit.
- **Primary Seal**—Seal the subsill and receptor to the exterior finish material.
- **Secondary Seal**—Provide an interior seal around the perimeter of the unit by applying a 1" deep bead of Low expansion, low pressure polyurethane insulating window and door foam sealant - (DO NOT use high pressure or latex foams).
- Clips must be attached to receptor. Wall framing around window opening must also be adequate to withstand wind loads transferred from window combination assembly.
- Suggested unit setback is intended as good construction practice to protect window products from water cascading down building facade. Setback must also take into consideration adequate sealant adhesion to the brick veneer.
- See the Installation Accessories section for anchor clip spacing.
- Commercial and / or large complex combination assemblies may require additional installation design considerations and attachments. See the Combination Recommendations section.

### NOTES

- Details shown are not intended to reflect complete installation procedures, but do reflect basic installation concepts.
- This method is applicable for installation of Pella windows only. Pella warranty does not recommend use with other manufacturers' products.
- See your local Pella sales representative for installation instructions.



L-Receptor, Block Frame Casement with Steel Studs and Brick Veneer



Scale 3" = 1' 0"

Items in bold are available from Pella.

These details are for typical single punch openings. See Composite and Combinations for multiple-unit considerations.

See page 3 in this section for typical sealant details.

Refer to the appropriate Pella Impervia installation instruction for step by step instructions.



## General Notes On Clip Installation

### When to Use Block Frame Installation Method

- When there is no place to attach a fin.
- In applications when construction sequence dictates units be installed from the interior, or after the wall system is completely constructed.
- When Pella subsill accessories are used.

### Products Available for this Installation

All Pella Impervia windows and doors.

### Important Installation Procedures

- Shim unit in the opening plumb level and square.
- Provide a primary and secondary air and water seal around the perimeter of the unit.
- **Primary Seal**—Seal the unit to the exterior finish material.
- **Secondary Seal**—Provide an interior seal around the perimeter of the unit by applying a 1" deep bead of low expansion, low pressure polyurethane insulating window and door foam sealant - (DO NOT use high pressure or latex foams)
- Seal wall cavity around perimeter of unit.
- Clips must be attached to wall framing with anchors adequate for design pressure specified. Wall framing around window opening must also be adequate to withstand windloads transferred from window composite.
- Suggested unit setback is intended as good construction practice to protect window products from water cascading down building facade. Setback must also take into consideration adequate sealant adhesion to the brick veneer.
- See page 3 of this section for anchor clip spacing.
- Commercial and/or large complex composites may require additional installation design considerations and attachments. See Composite section.
- See page 2 in this section for typical sealant placement details.

### Notes

- Details shown are not intended to reflect complete installation procedures, but do reflect basic installation concepts.
- Details show various wall systems with different Pella Impervia products. Details with other Pella Impervia products in the same wall construction should be similar.



# Impervia® Installation Details and Accessories

## Clip installation, Block Frame Sliding Window, Concrete Block and Brick Veneer

RIGID INSULATION BY OTHERS.

THROUGH-WALL CAVITY FLASHING WITH WEEPS AT HEAD AND SILL BY OTHERS.

### SMARTFLASH® INSTALLATION TAPE

SHIM AND PLUMB UNITS AS REQUIRED BY OTHERS.

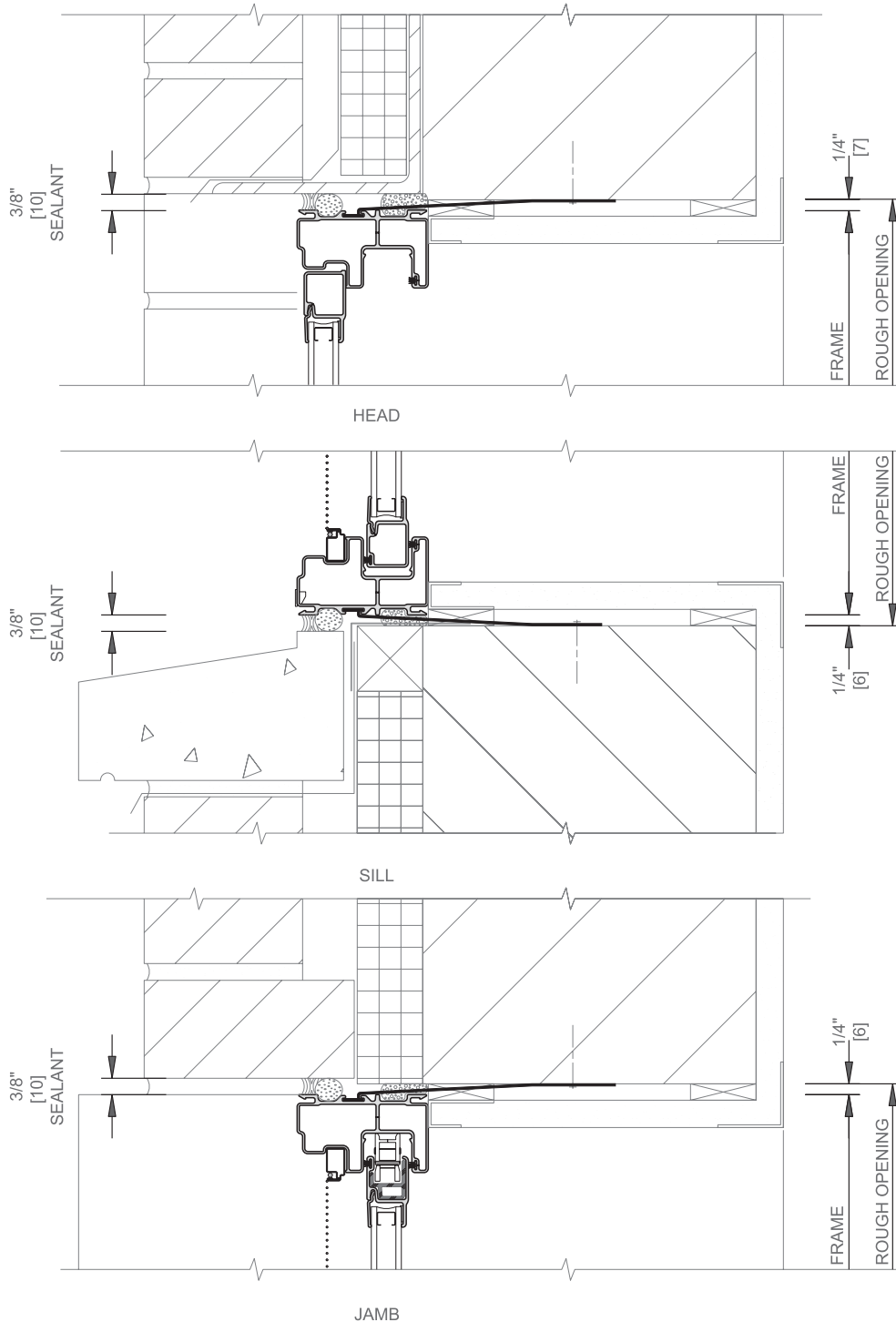
### INSTALLATION CLIPS #0CCJ

Place into fin groove and anchor to wall construction. Ensure that the interior bead of insulating foam continues around clips.

PELLA WINDOW AND DOOR INSTALLATION SEALANT AND WATER RESISTANT BACKER ROD. Apply continuous sealant according to label directions and ASTM C1193.

**Low expansion, low pressure polyurethane insulating window and door foam sealant - (DO NOT use high pressure or latex foams)**

Apply a continuous 1" bead of insulating foam to provide a full interior seal.



Scale 3" = 1' 0"

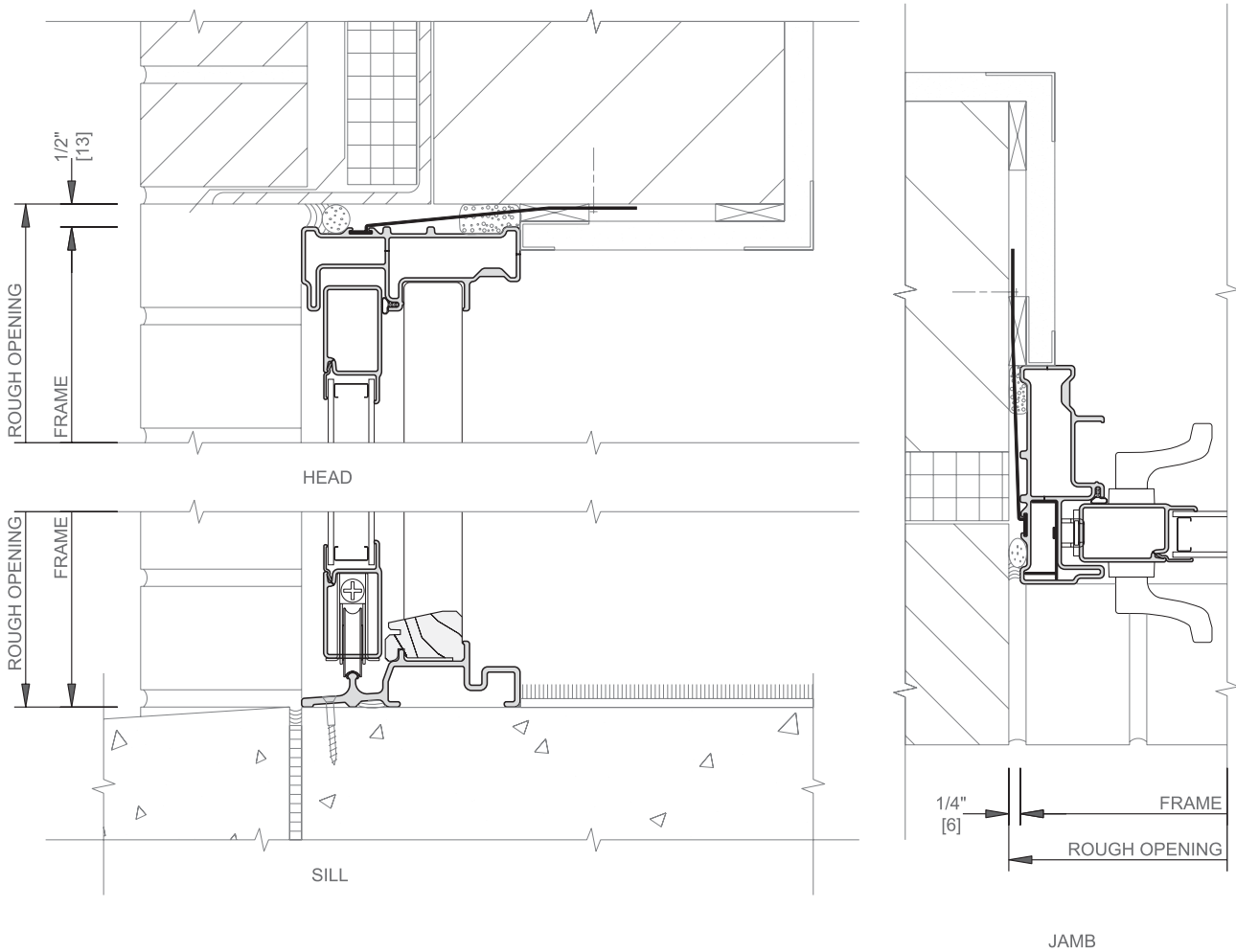
Items in bold are available from Pella.

These details are for typical single punch openings. See Composite and Combinations for multiple-unit considerations.

See page 3 in this section for typical sealant details.

Refer to the appropriate Pella Impervia installation instruction for step by step instructions.





RIGID INSULATION BY OTHERS.

THROUGH-WALL CAVITY FLASHING WITH WEEPS AT HEAD AND SILL BY OTHERS.

SMARTFLASH® INSTALLATION TAPE

SHIM AND PLUMB UNITS AS REQUIRED BY OTHERS.

**INSTALLATION CLIPS #OCCJ**

Place into fin groove and anchor to wall construction.

PELLA WINDOW AND DOOR INSTALLATION SEALANT AND WATER RESISTANT BACKER ROD. Apply continuous sealant according to label directions and ASTM C1193.

**Low expansion, low pressure polyurethane insulating window and door foam sealant - (DO NOT use high pressure or latex foams)**

Apply a continuous 1" bead of insulating foam to provide a full interior seal. Ensure that the interior bead of insulating foam continues around the clip.

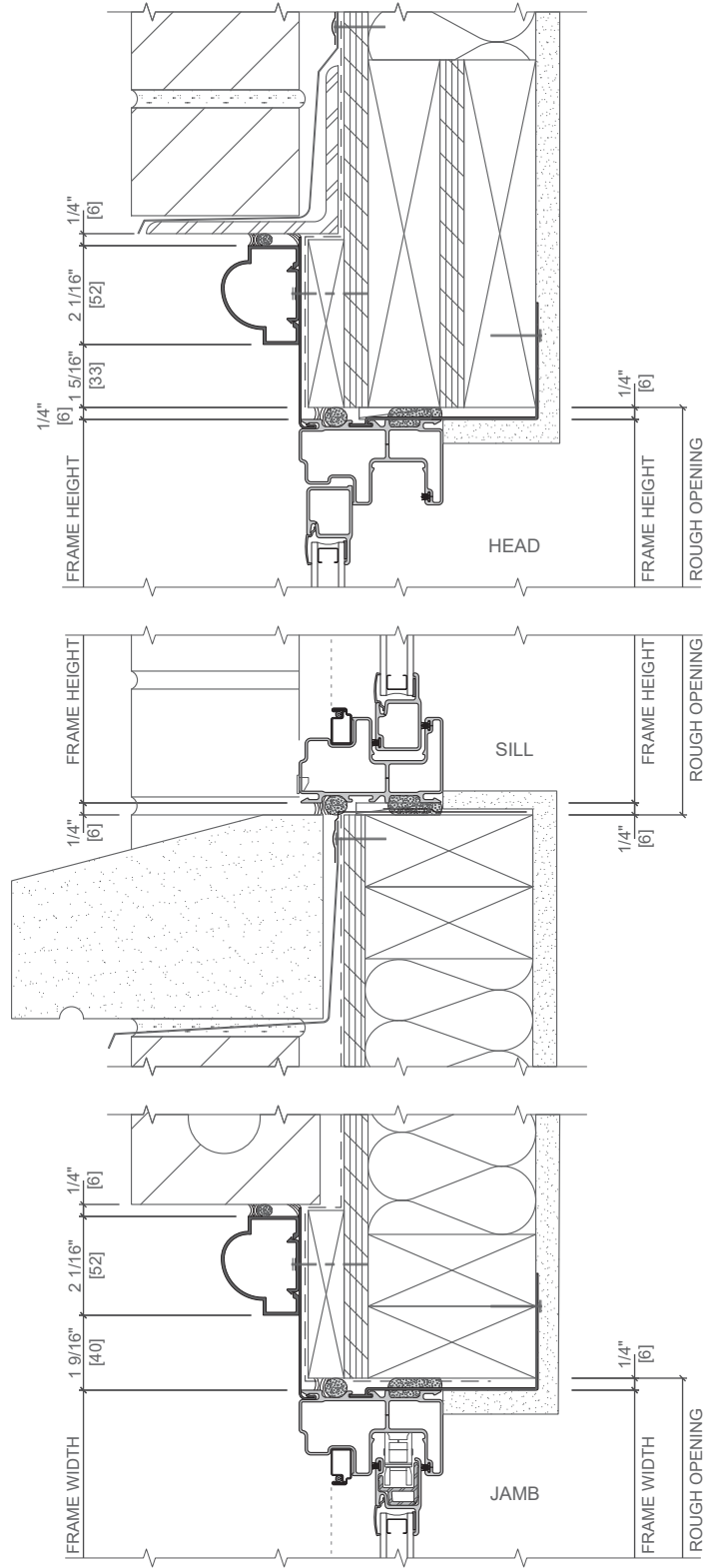
Scale 3" = 1' 0"

Items in bold are available from Pella.

These details are for typical single punch openings. See Composite and Combinations for multiple-unit considerations.

See page 3 in this section for typical sealant details.

Refer to the appropriate Pella Impervia installation instruction for step by step instructions.



Scale 3" = 1' 0"

Items in bold are available from Pella.

These details are for typical single punch openings. See Composite and Combinations for multiple-unit considerations.

See page 3 in this section for typical sealant details.

Refer to the appropriate Pella Impervia installation instruction for step by step instructions.



### When to Use Block Frame pocket Installation Method

- In applications when windows are being replaced without full frame removal.

### Products Available for this Installation

All Pella Impervia windows and doors.

### Important Installation Procedures

- Shim unit in the opening plumb level and square.
- Provide a primary and secondary air and water seal around the perimeter of the unit.
- **Primary Seal**—Seal the unit to the exterior finish material.
- **Secondary Seal**—Provide an interior seal around the perimeter of the unit by applying a 1" deep bead of low expansion, low pressure polyurethane insulating window and door foam sealant - (DO NOT use high pressure or latex foams)
- Seal wall cavity around perimeter of unit.

### Notes

- Details shown are not intended to reflect complete installation procedures, but do reflect basic installation concepts.
- Details show various wall systems with different Pella Impervia products. Details with other Pella Impervia products in the same wall construction should be similar.



Pocket Installation Block Frame Double-Hung

NOTE:

WALL CONSTRUCTION AND OLD DOUBLE-HUNG FRAME SHOWN ARE EXISTING; OLD DOUBLE-HUNG SASH HAS BEEN REMOVED.

REFER TO THE APPROPRIATE PELLA INSTALLATION INSTRUCTION FOR COMPLETE STEP BY STEP INSTRUCTIONS.

SHIM AND PLUMB UNITS AS REQUIRED.

SMARTFLASH® INSTALLATION TAPE

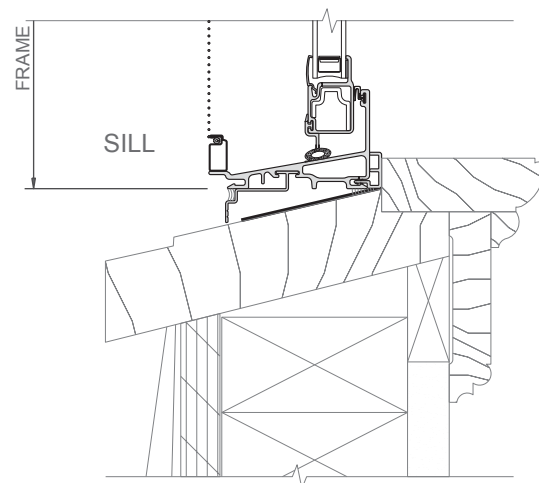
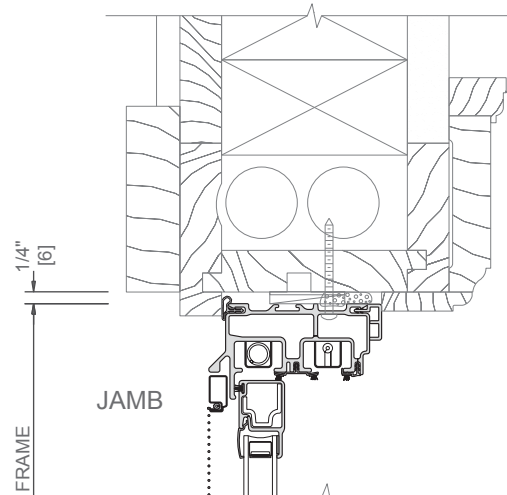
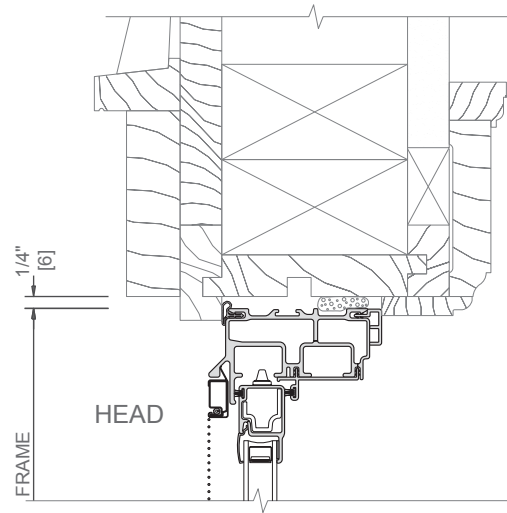
DOUBLE-HUNG SILL-ADAPTER 0A9U

PELLA WINDOW AND DOOR INSTALLATION SEALANT. Apply continuous sealant according to label directions and ASTM C1193.

SEAL THE UNIT TO EXISTING STUOL AND WINDOW SILL.

Low expansion, low pressure polyurethane insulating window and door foam sealant - (DO NOT use high pressure or latex foams)

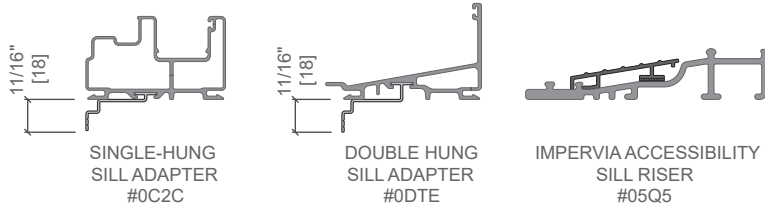
Apply a continuous 1" bead of insulating foam to provide a full interior seal.





Installation Accessories

SILL ACCESSORIES

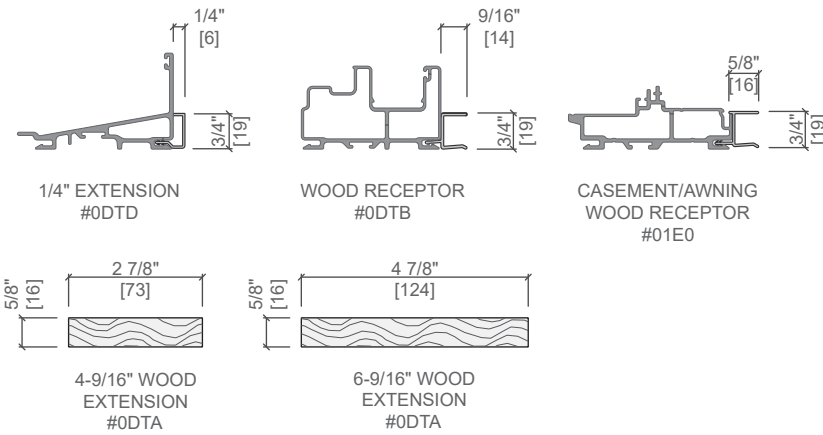


INSTALLATION TAPE

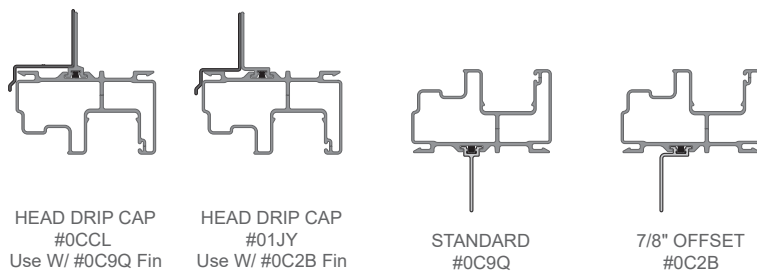


SmartFlash® INSTALLATION TAPE  
(FOIL BACKED BUTYL)  
#0CFV

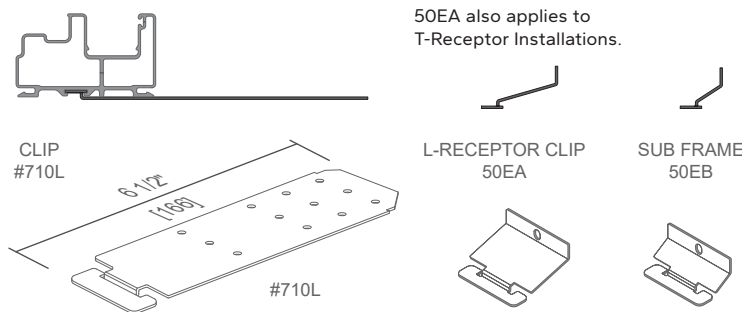
JAMB EXTENSIONS



DRIP CAP / INSTALLATION FINNS

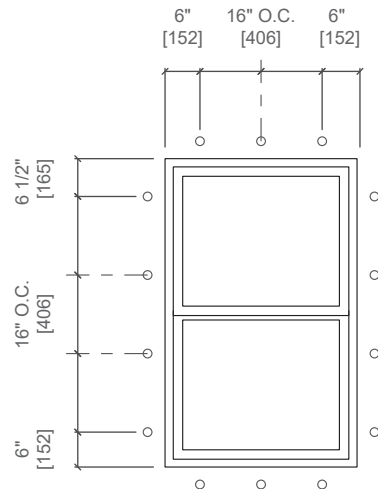


INSTALLATION CLIP



Accessory	Indiv. Part No.	Box No.
Single-Hung Sill Adapter	0A5Y	0C2C
Double-Hung Sill Adapter	0A9U	0DTE
Impervia Accessibility Sill Riser	05Q50000	—
3"-Wide SmartFlash® Installation Tape (150' rolls)	850H0000	0CFV
6"-Wide SmartFlash® Installation Tape (50' rolls)	850H0004	01FM
1/4" Jamb Extension	50CJ	0DST
Jamb Extension Wood Receptor	763R	0DTB
Casement/Awning Wood Receptor	80SC	01EO
4-9/16" Wood Jamb Extensions	3113	0DTA
6-9/16" Wood Jamb Extensions	310V	0DTA
Head Drip Cap for use with Standard Fin	05JK	0CCL
Head Drip Cap for use with 7/8" Offset Fin	05JL	01JY
Head Drip Cap for use with Block Frame	05JM	—
Installation Fin Standard	761H	0C9Q
Installation Fin 7/8" Offset	762G	0C2B
Installation Clip	710L	0CCJ

Installation Clip Spacing



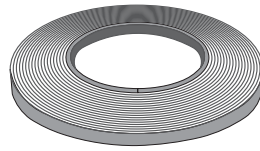
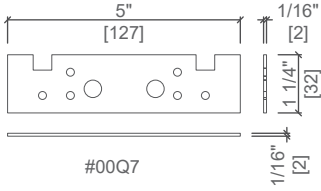
Perimeter clip spacing to be 6" (152 mm) from the edge of each unit and 6" (152 mm) from both sides of a joining mullion. Typical spacing: 16" (457 mm) O.C. Each clip will hold 100 lbs. if attached with anchors that will hold 100 lbs.



Mullion Plates, Combination (Mullion) Accessories

DOOR MULLING PLATE

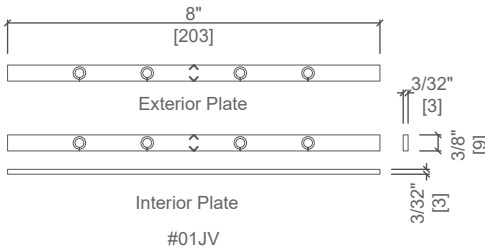
SLIDING PATIO DOOR



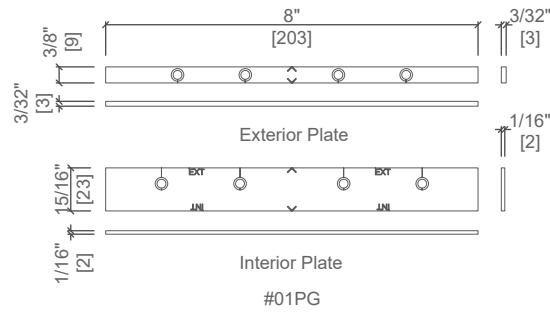
MULLION BUTYL TAPE SEAL - 30' ROLL  
#01JX

WINDOW MULLING PLATES

SINGLE-HUNG / DOUBLE-HUNG /  
SLIDING WINDOW / FIXED WINDOW  
& FIXED FRAME



AWNING / CASEMENT



Accessory	Indiv. Part No.	Box No.
I-Bar Joining Mullion	0A4S	0CCH
Foam Tape	830W	0CDZ
Mullion Foam Plugs	—	0C2D
SPD weeping Ext Mull Cover	764H	0ESM
SPD Reinforcing Mull Extrusion 96" 10 Pair	—	0DSQ
SPD Mull End Anchors	520D	0DSK
Flange Mullion Cover	0ALT	01K4
Standard Mullion Cover	7217	01K5
Split Mullion Plate	208Q, 209K	01E2
3/8" Mullion Plate	80ZT	01JV
Impervia SPD Fixed Panel Mull Kit	80UV	00Q7

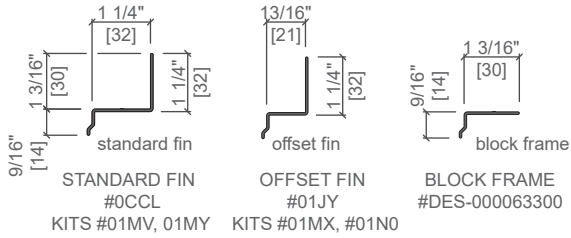
(1) For use with Casement/Awning exterior and Single-Hung, Fixed Window and Sliding Window interior.

(2) For use with Single-Hung, Fixed Window and Sliding Window exterior.

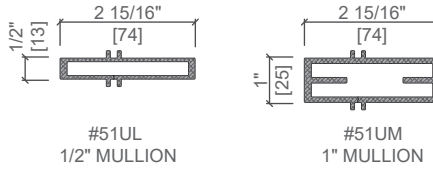


Vertical Window Mullion Component Parts and End Anchors

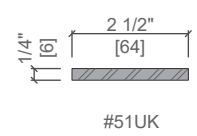
(A1) - HEAD DRIP CAP



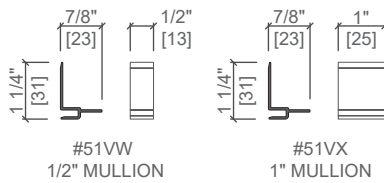
(R1) - STRUCTURAL MULLION



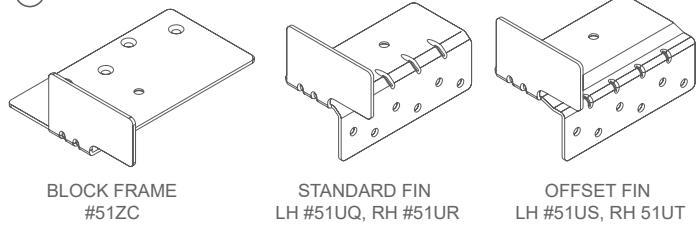
(R3) - REINFORCEMENT



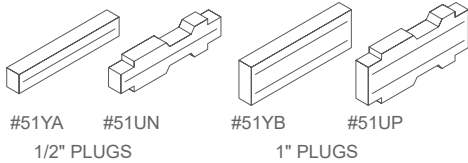
(A2) - MULLION SPLICES



(R2) - MULLION END ANCHORS



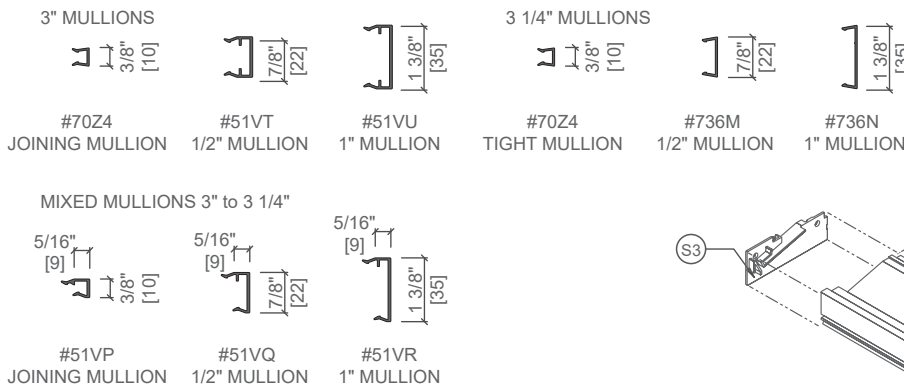
(A3) - FOAM PLUGS



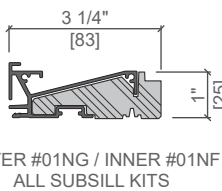
(C1) - EXTERIOR MULLION COVERS



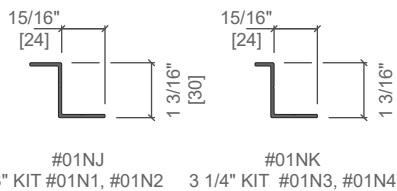
(C2) - INTERIOR MULLION COVERS



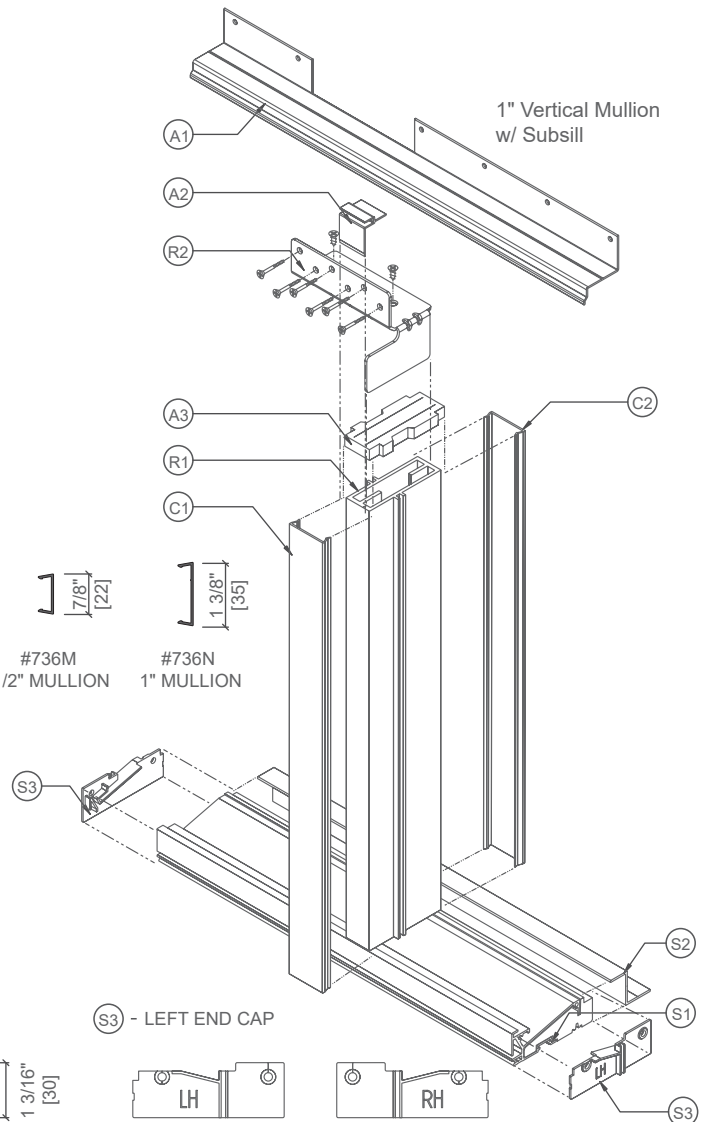
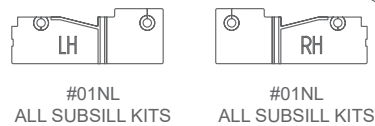
(S1) - SUBSILL



(S2) - INTERIOR CLIP



(S3) - LEFT END CAP

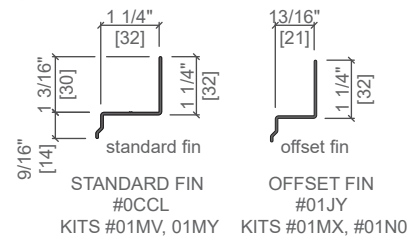




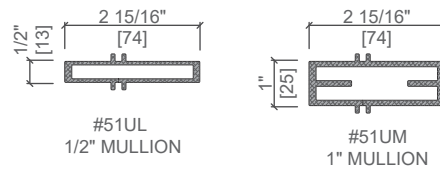
Horizontal Window Mullion Component Parts and End Anchors

Note: Current window mullion kits and parts are now ordered as configured items specific to the products they are being paired with, contact your local Pella sales representative for assistance.

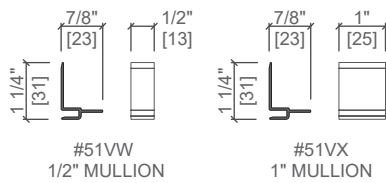
(A1) - HEAD DRIP CAP



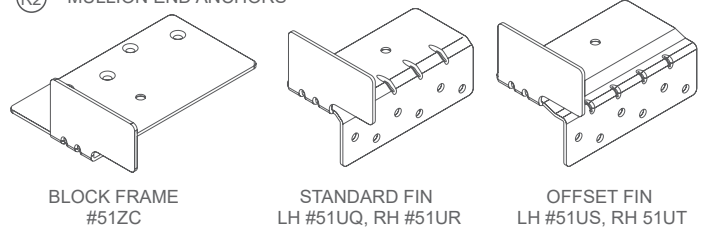
(R1) - STRUCTURAL MULLION



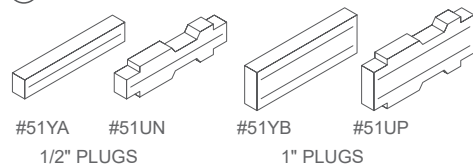
(A2) - MULLION SPLICES



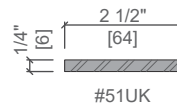
(R2) - MULLION END ANCHORS



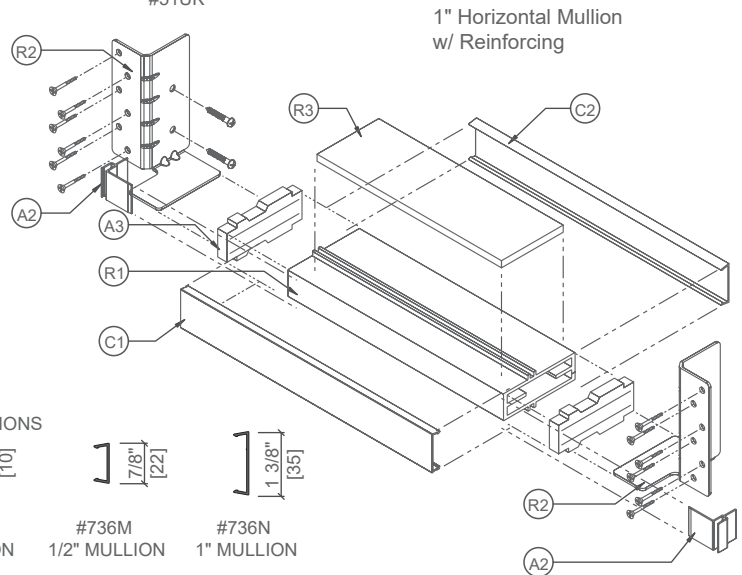
(A3) - FOAM PLUGS



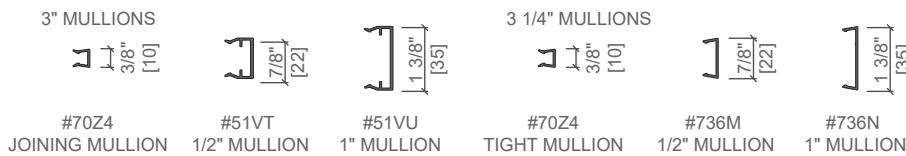
(R3) - REINFORCEMENT



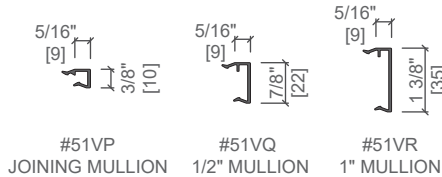
(C1) - EXTERIOR MULLION COVERS



(C2) - INTERIOR MULLION COVERS

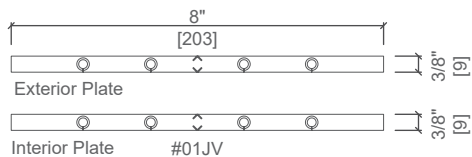


MIXED MULLIONS 3" to 3 1/4"

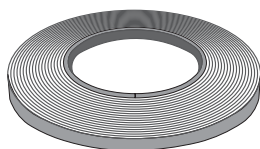
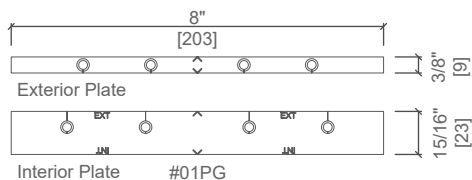


WINDOW MULLING PLATES

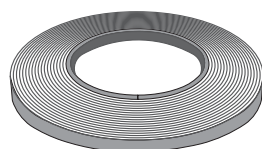
SINGLE-HUNG / DOUBLE-HUNG / SLIDING WINDOW / FIXED WINDOW & FIXED FRAME



AWNING / CASEMENT



FOAM TAPE #0CDZ



MULLION BUTYL TAPE SEAL - 30' ROLL #01JX



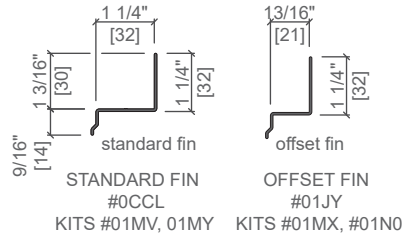


# Impervia® Installation Details and Accessories

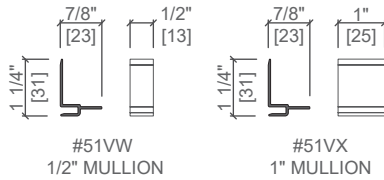
## Horizontal Door Combination (Mullion) Accessories (June 2021 - Current)

Note: Current window mullion kits and parts are now ordered as configured items specific to the products they are being paired with, contact your local Pella sales representative for assistance.

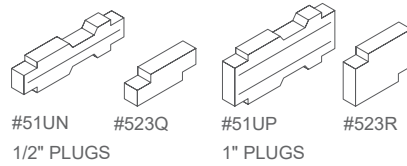
### (A1) - HEAD DRIP CAP



### (A2) - MULLION SPLICES



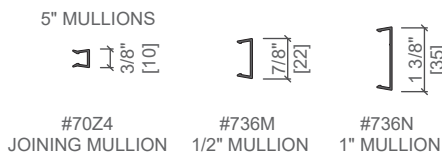
### (A3) - FOAM PLUGS



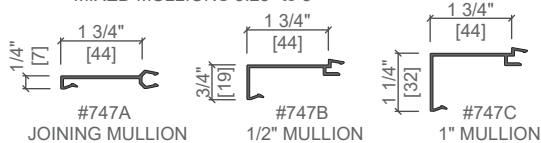
### (C1) - EXTERIOR COVERS



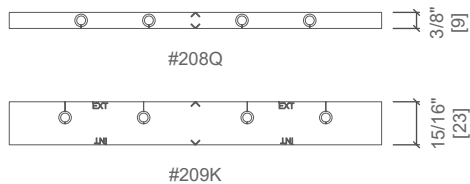
### (C2) - INTERIOR COVERS



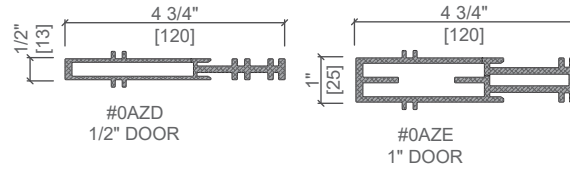
### MIXED MULLIONS 3.25" to 5"



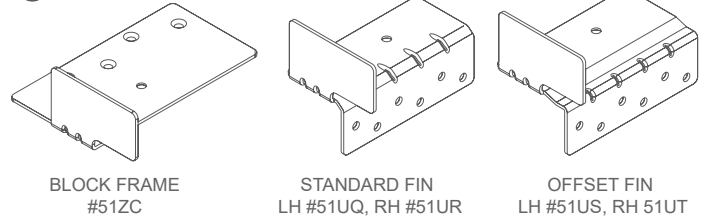
### MULLION PLATES



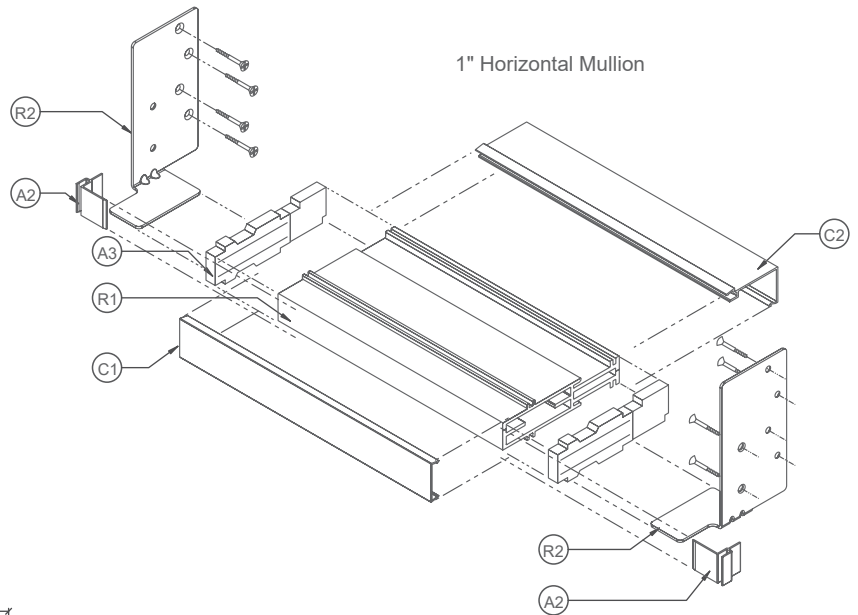
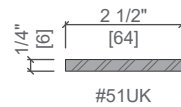
### (R1) - STRUCTURAL MULLION



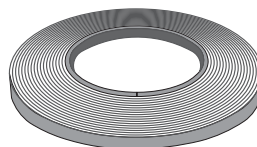
### (R2) - MULLION END ANCHORS



### (R3) - REINFORCEMENT



### FOAM TAPE



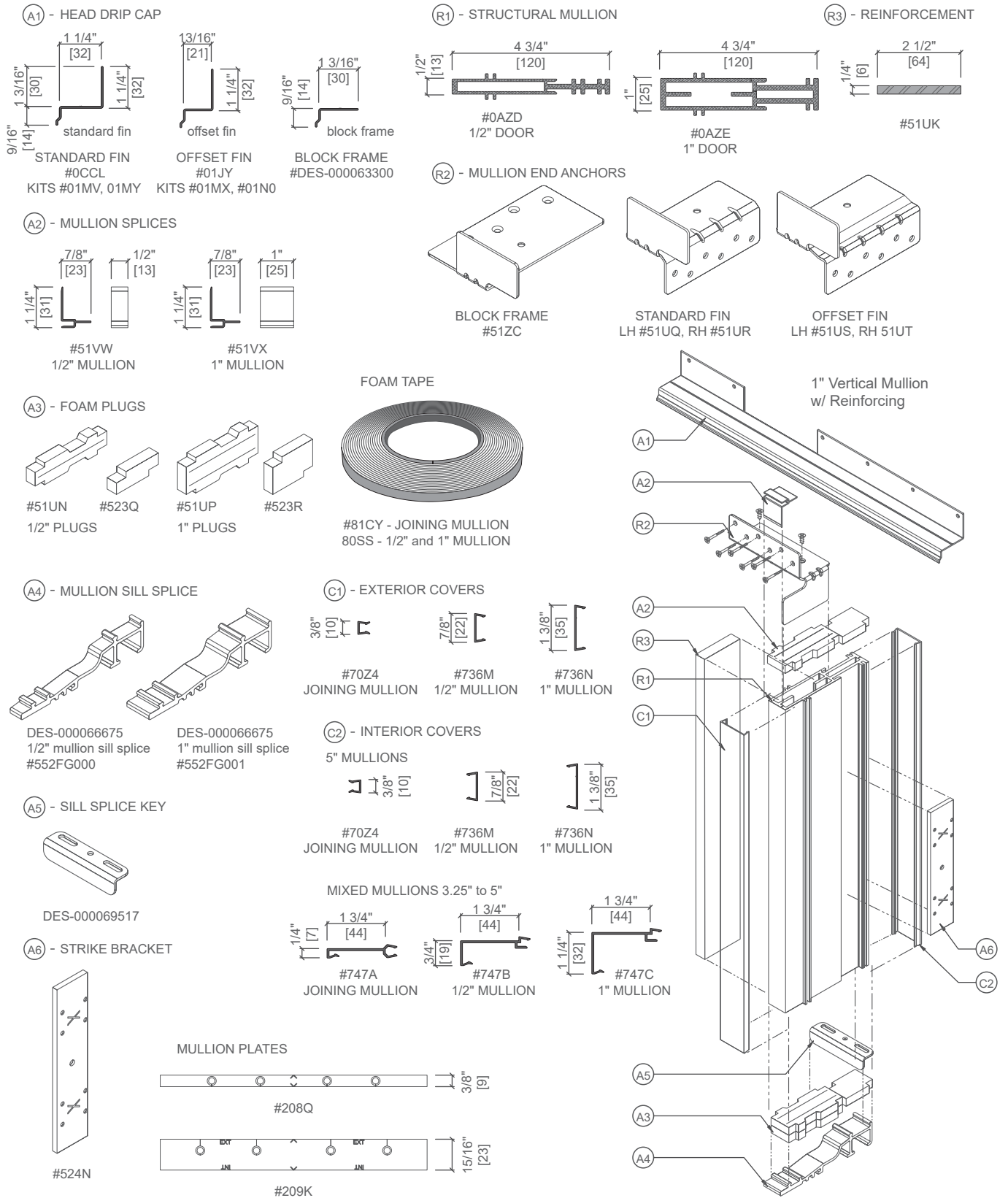
#81CY - JOINING MULLION  
80SS - 1/2" and 1" MULLION



# Impervia® Installation Details and Accessories

## Vertical Door Combination (Mullion) Accessories (June 2021 - Current)

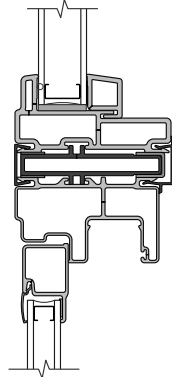
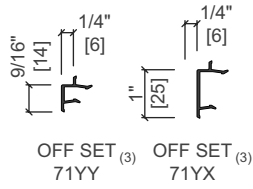
Note: Current window mullion kits and parts are now ordered as configured items specific to the products they are being paired with, contact your local Pella sales representative for assistance.



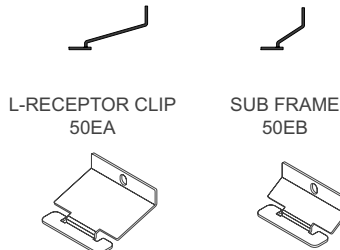
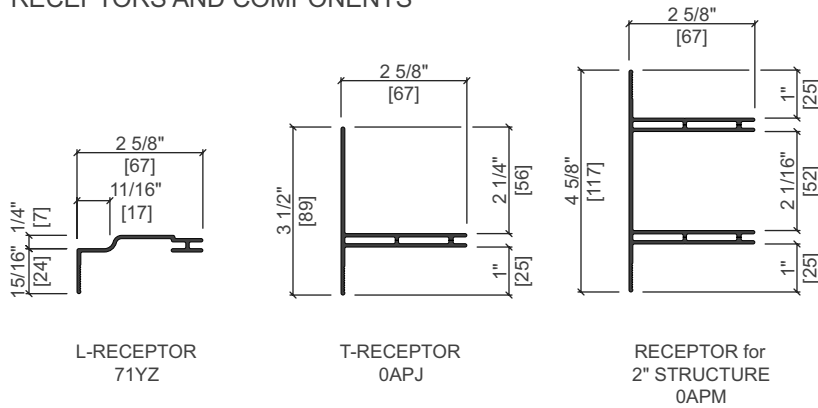


Installation Accessories

OFFSET MULLION COVERS



RECEPTORS AND COMPONENTS



50EA also applies to T-Receptor Installations.

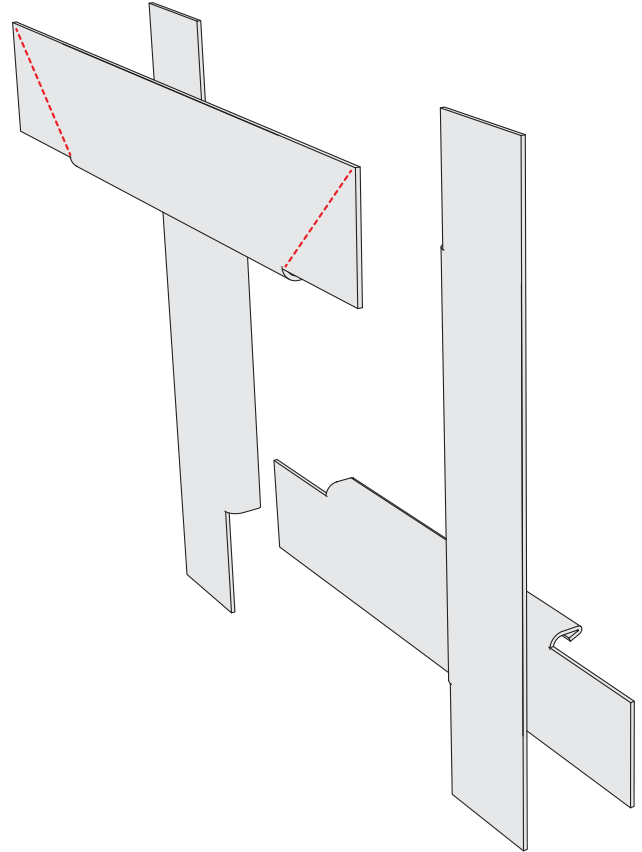
Accessory	Indiv. Part No.	Box No.
1/2" Offset Frame Mull Cover 71YX	03WD	03WD
Direct Offset Frame Mull Cover 71YY	03WE	03WE
L-Receptor 71YZ	03WF	03WF
T-Receptor 0APJ - 50E6	(configured)	
Receptor Mullion for 2" Structure - 0APM - 50E9	(configured)	
Receptor Window Clips - 50EA (250)		01Q60000
Subframe Window Clips - 50EB (250)		01Q60001
Receptor Gasket, 250 ft roll	ODA9A000	



### Factory Supplied Frame Expander Kits

These kits are factory cut and notched to fit each side of a Pella aluminum clad or Pella Impervia products with accessory groove. The ends are prepped for overlapping butt joints which allows installers to leave the 90 degree overlap or field-cut a mitered corner.

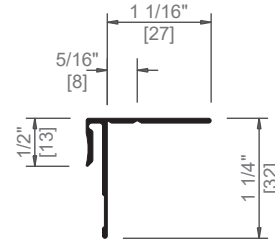
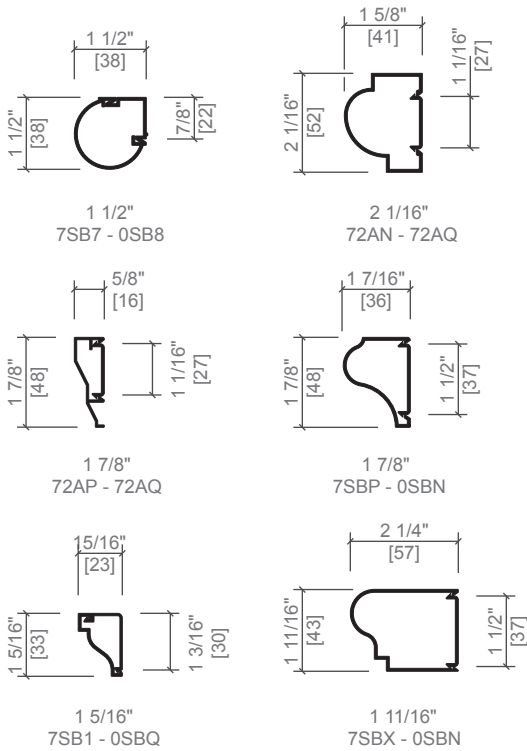
- Maximum size is 144" x 144"
- Trim comes processed and notched to length per unit configuration.
- Notches begin at the outside of the frame and tails are longer to accommodate unit and combination growth tolerances.
- No need to calculate the number of lineals a job will require and saves time and scrap on the job site.
- Available on all Aluminum Clad products, Impervia products and entry doors, including curved and angled shapes.
  - Curved Shapes – Frame expander with Receptor Kits will not be available for shapes that include curves. Frame expander (without receptor) kits will be available for most curved and angled shapes. (Curved frame expander with receptor is still available - just not in this configured kit).
  - Angled Shapes – Frame expander and Frame expander with receptor kits are available for most angled shapes. Receptors are cut long to accommodate field miters.
  - Overlapping Frame Expanders - No kits will be available with overlapping curved frame expanders.
  - Pella Impervia – Fits both the fiberglass and aluminum clad accessory grooves.





Exterior Trim - Aluminum Brickmould

Custom Brickmould with Clip



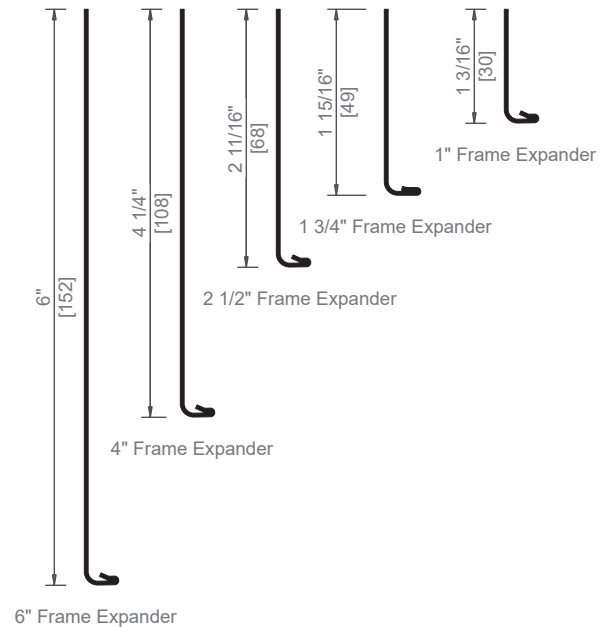
FRAME EXPANDER RECEPTOR

Used to receive and trim outside edge of frame expander as an alternate to face-screwing edge into blocking. Return leg can be field-trimmed as required.

Application: New Construction or Renovation

- Provides the look of flat trim
- Receptor available for wide trims
- Paint finish that matches windows
- Available with or without brickmould
- Custom brickmould profiles available
- Straight or curved
- Trim to frame opening
- Factory Supplied Frame Expander Kits available, trim is processed and notched to length per unit configuration, saves time and scrap on the job site.

Used at head, jamb and/or sill.

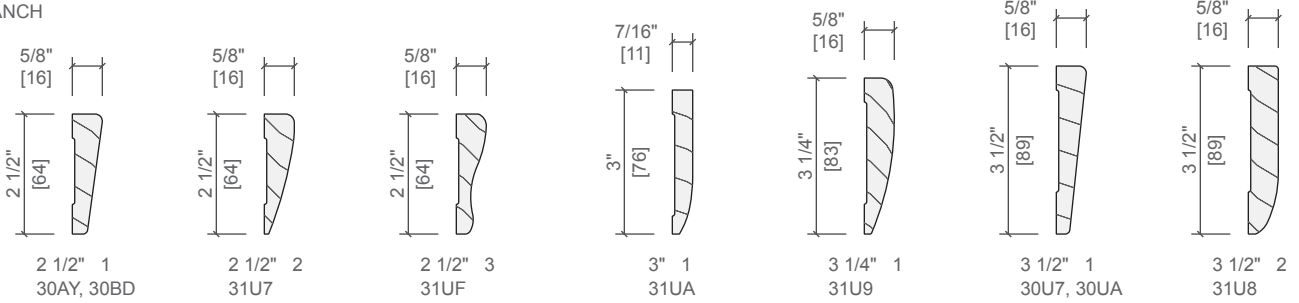


Scale 3" = 1' 0"

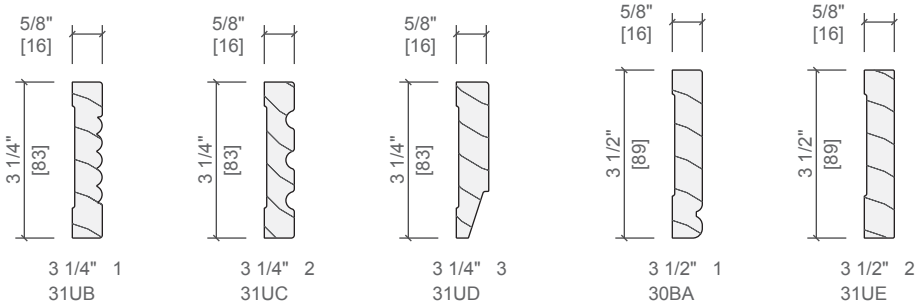


Interior Casing

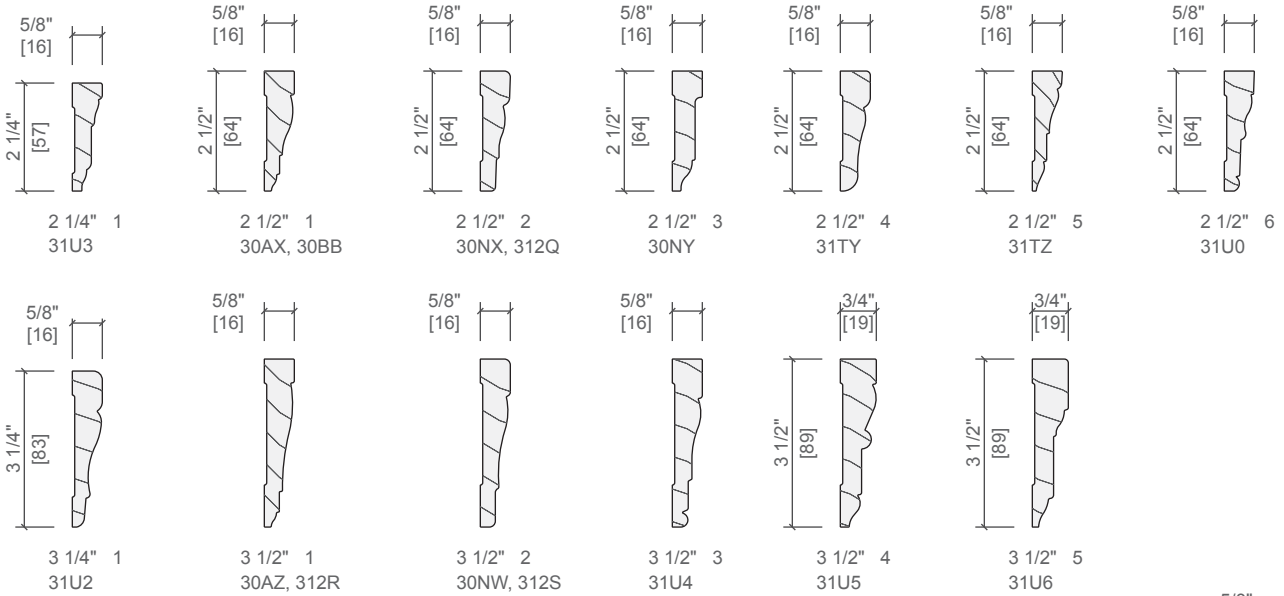
RANCH



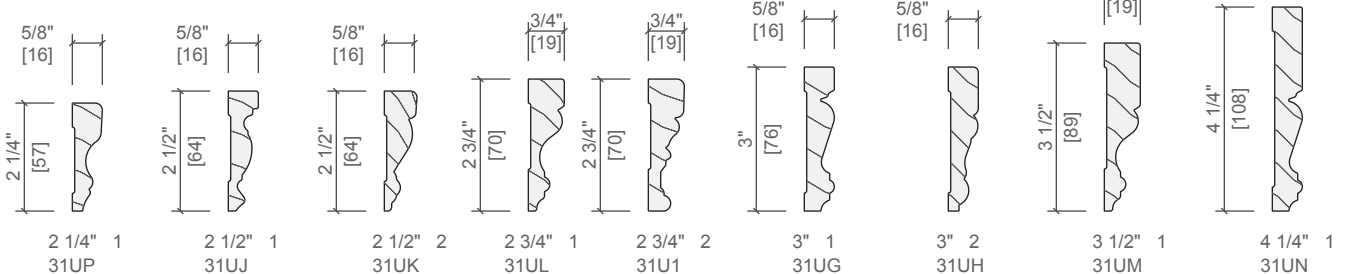
CRAFTSMAN



COLONIAL



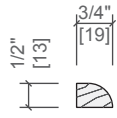
PROVINCIAL



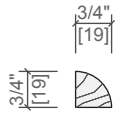


Interior Trim

BASE TRIM

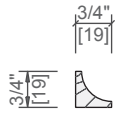


Quarter Round 1  
30U5 / 30U8



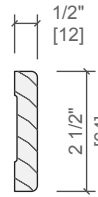
Quarter Round 2  
31VQ

COVE MOULD

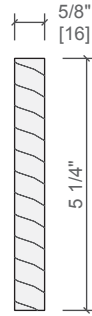


Cove Trim 1  
60U6 / 60U9

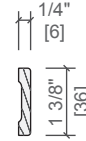
LATTICE



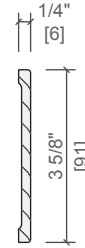
Lattice 1  
31VP



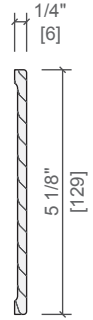
Lattice 2  
31VV



Lattice 3  
260A



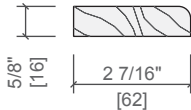
Lattice 4  
260P



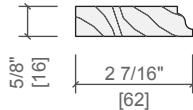
Lattice 5  
261C

STOOL

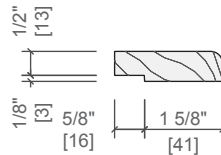
4 9/16\"/>



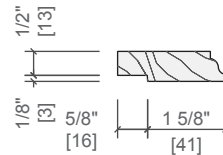
Round 1  
3146



Ogee 1  
31VR

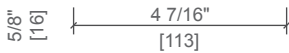


Round 1  
32WH

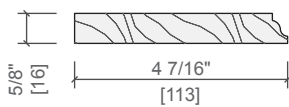


Ogee 1  
32WJ

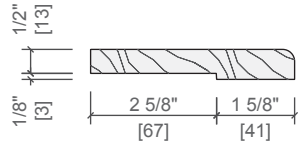
6 9/16\"/>



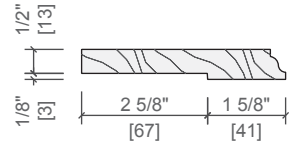
Round 2  
3204



Ogee 2  
31VS

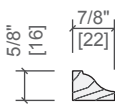


Round 2  
30LC

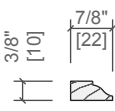


Ogee 2  
31VW

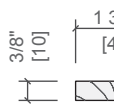
STOP



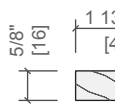
Colonial 1  
30VM



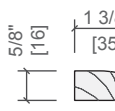
Colonial 2  
31VL



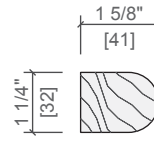
Colonial 3  
31VF



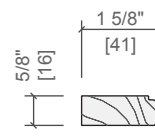
Colonial 4  
30VG



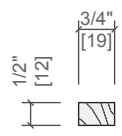
Ranch 1  
31VK



Round 1  
30VJ



Round 2  
31VH



Square 1  
31VN