



Introduction..... F-RN-2

Pocket Replacement Installation Details

Single-Hung F-RN-3

Double-Hung F-RN-4

Replacement Field Measurement Guide

Wood Double-Hung Window Replacement F-RN-5

Aluminum Window Replacement F-RN-6



Introduction

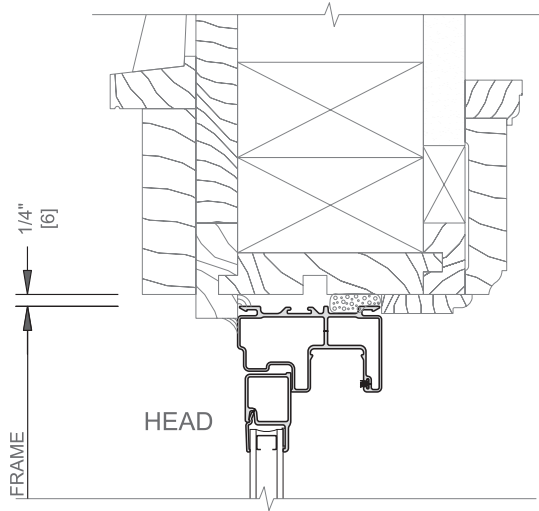
This section explores accessories, assembly systems and field measurement procedures required to meet the specific challenges of renovation and window replacement within existing construction.

Pella® Impervia® Pocket Replacement System is a fully assembled window that slides easily into the existing wood double-hung sash "pocket" created when the old sash is removed. This is done without damaging surrounding trim, wall paper, paint or plaster. Custom-built units are made to order in 1/4" increments to fit your existing window opening.



Impervia® Renovation Applications

Single-Hung Pocket Replacement Installation Details



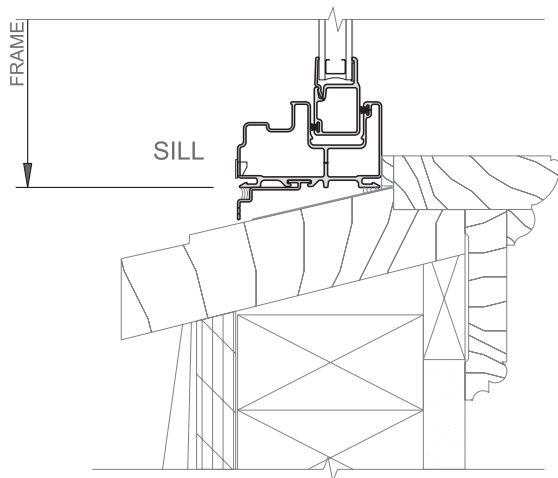
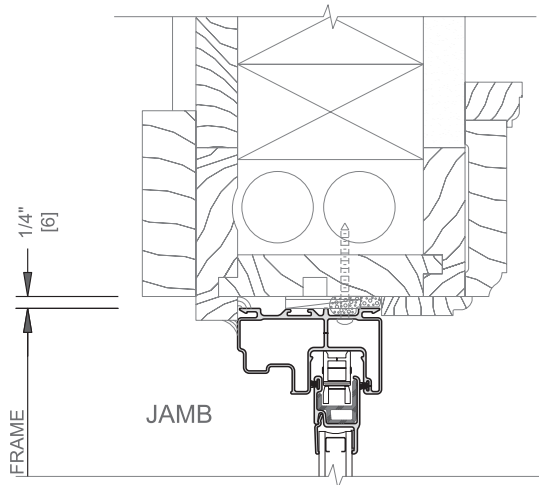
PELLA SMARTFLASH® FOIL BACKED BUTYL WINDOW AND DOOR FLASHING TAPE
Flashing tape is applied at the sill.

SEALANT BY OTHERS
OSI Quad or Geocel Pro-Flex Tri-polymer Sealant.

LOW EXPANSION, LOW PRESSURE POLYURETHANE INSULATING WINDOW AND DOOR FOAM SEALANT - (DO NOT USE HIGH PRESSURE OR LATEX FOAMS)

Apply a continuous 1" bead of insulating foam to provide a full interior seal.

SINGLE-HUNG SILL ADAPTER 0C2C.



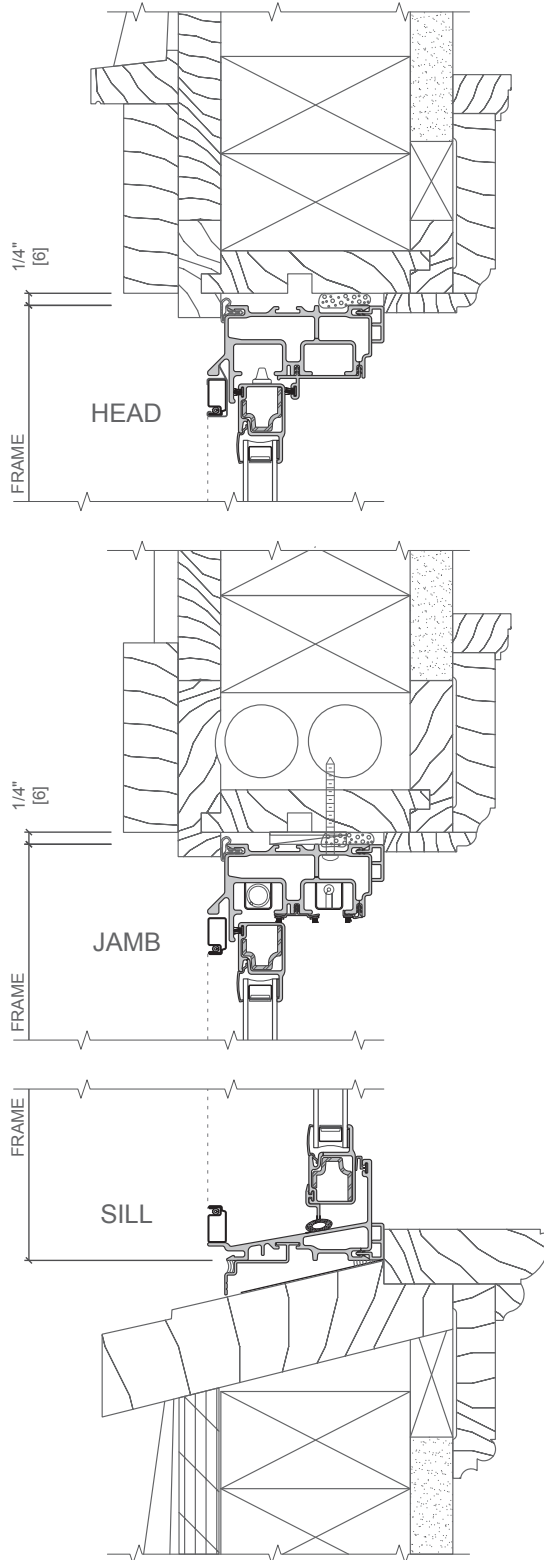
Scale 3" = 1' 0"

Items in bold are available from Pella.

Applies to openings up to 48" wide.



Double-Hung Pocket Replacement Installation Details



PELLA SMARTFLASH® FOIL BACKED BUTYL WINDOW AND DOOR FLASHING TAPE
Flashing tape is applied at the sill.

SEALANT BY OTHERS.
OSI Quad or Geocel Pro-Flex Tri-polymer Sealant.

LOW EXPANSION, LOW PRESSURE POLYURETHANE INSULATING WINDOW AND DOOR FOAM SEALANT - (DO NOT USE HIGH PRESSURE OR LATEX FOAMS)
Apply a continuous 1" bead of insulating foam to provide a full interior seal.

DOUBLE-HUNG SILL ADAPTER ODTE.

1/4" JAMB EXTENSION ODST.

Scale 3" = 1' 0"

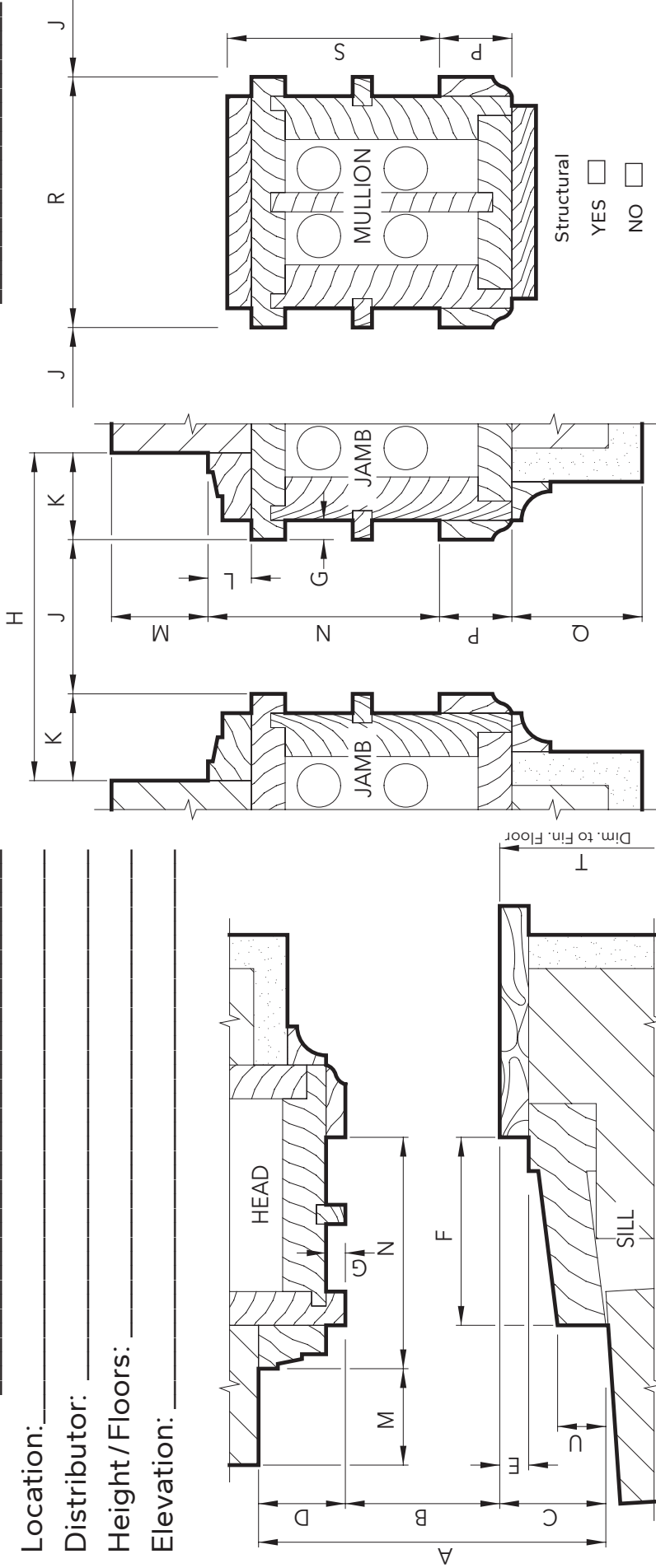
Items in bold are available from Pella.

WINDOW REPLACEMENT FIELD MEASUREMENT GUIDE

(For Existing Wood Double-Hung Windows)

Job Name: _____
 Location: _____
 Distributor: _____
 Height / Floors: _____
 Elevation: _____

Date: _____



Structural
 YES
 NO

NOTE If existing conditions are different than shown, draw and dimension profile on another sheet.

MARK	QUANTITY	A	B	C	D	E	F	G

H	I	J	K	L	M	N	O	P	Q	R	S	T	U

Product Type: _____ Glazing: _____ Hardware / Option: _____
 Pella Corporation, Pella, IA Sheet Number _____ of _____

