



Pella®  
Reserve™  
Traditional



Photograph(s):  
© Scott Barrow  
Photography

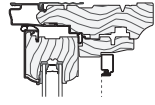

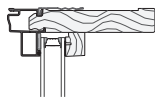
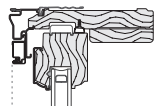
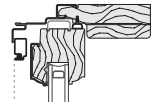

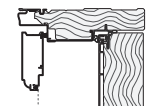
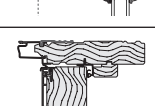
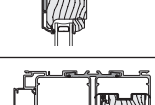
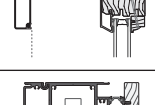
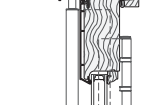


Wood Windows  
and Patio Doors

## Authentically Detailed.

Meticulously designed to replicate the historical millwork process, Pella® Reserve™ Traditional offers unparalleled authenticity. Each piece is original, featuring excellent craftsmanship to reflect your project's unique personality and customized to fit your vision.

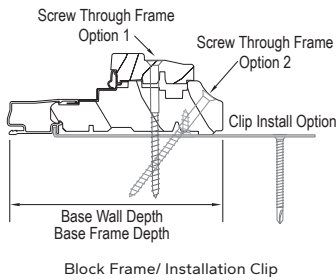
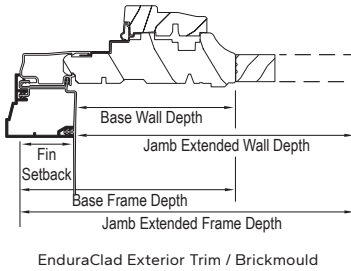
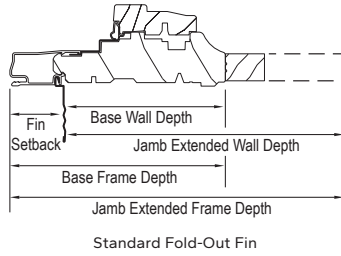
- A wide range of glazing options, including impact-resistant.
- Divided light options available in Integral Light Technology® grilles, or grilles-between-the-glass with standard or custom patterns.
- Wide range of historically authentic features and attributes including butt joinery and through stiles.
- Two exterior sash and grille profiles are available: Ogee and Putty Glaze.
- Virtually unlimited exterior color options with EnduraClad® protective finish, including custom colors.

	Cross Section	Frame / Install	Wall Depth Range	Performance Range
<b>Awning Vent and Fixed</b>		Fold-out Fin Block Frame EnduraClad Exterior Trim / Brickmould	Base Frame Depth: 5" Std. Fin Setback: 1-5/16" Base Wall Depth: 3-11/16" Jamb extended wall depth: 3-11/16" – 9-3/16"	LC30 – CW50 U: 0.20 – 0.49 SHGC: 0.16 – 0.54 STC: up to 33
<b>Casement Vent and Fixed</b>		Fold-out Fin Block Frame EnduraClad Exterior Trim / Brickmould	Base Frame Depth: 5" Std. Fin Setback: 1-5/16" Base Wall Depth: 3-11/16" Jamb extended wall depth: 3-11/16" – 9-3/16"	LC30 – CW50 U: 0.19 – 0.51 SHGC: 0.16 – 0.64 STC: up to 34
<b>Fixed Frame Direct Set</b>		Standard Fold-out Fin Block Frame EnduraClad Exterior Trim / Brickmould	Base Frame Depth: 5" Std. Fin Setback: 1-3/16" Base Wall Depth: 3-11/16" Jamb Extended Wall Depth: 3-11/16" – 9-3/16"	F-CW30 – F-AW90 U: 0.17 – 0.48 SHGC: 0.20 – 0.68 STC: up to 38
<b>Single and Double-Hung</b>		Fold-out Fin Block Frame EnduraClad Exterior Trim / Brickmould	Base Frame Depth: 5" Std. Fin Setback: 1-5/16" Base Wall Depth: 3-11/16" Jamb extended wall depth: 3-11/16" - 9-3/16"	CW30 – CW50 U: 0.24 – 0.46 SHGC: 0.19 – 0.60 STC: up to 33
<b>Precision Fit Double-Hung</b>		Pocket Replacement	Overall frame depth: 4" Pocket frame depth: 3-1/4"	CW40 – CW50 U: 0.25 – 0.46 SHGC: 0.19 – 0.61
<b>Monumental-Hung</b>		Fold-out Fin Block Frame EnduraClad Exterior Trim / Brickmould	Base Frame Depth: 5-7/8" Std. Fin Setback: 1-5/16" Base Wall Depth: 4-9/16" Jamb extended wall depth: 4-9/16" - 7-3/16"	LC25 – CW50 U: 0.20 – 0.44 SHGC: 0.16 – 0.54 STC: up to 33
<b>In-Swing Patio Door</b>		Fold-out Fin Block Frame EnduraClad Exterior Trim / Brickmould	Base Frame Depth: 5-7/8" Std. Fin Setback: 1-5/16" Base Wall Depth: 4-9/16" Extended wall depth: 4-9/16" – 7-5/16"	LC40 – LC55 U: 0.23 – 0.42 SHGC: 0.13 – 0.45 STC: up to 34
<b>Out-Swing Patio Door</b>		Fold-out Fin Block Frame EnduraClad Exterior Trim / Brickmould	Base Frame Depth: 5-7/8" Std. Fin Setback: 1-5/16" Base Wall Depth: 4-9/16" Jamb Extended wall depth: 4-9/16" – 9-3/16"	LC50 – LC70 U: 0.22 – 0.42 SHGC: 0.13 – 0.44 STC: up to 35
<b>Sliding Patio Door</b>		Fold-out Fin Block Frame EnduraClad Exterior Trim / Brickmould	Base Frame Depth: 5-7/8" Std. Fin Setback: 1-5/16" Base Wall Depth: 4-9/16" Jamb Extended wall depth: 4-9/16" – 9-3/16"	R20 – LC50 U: 0.26 - 0.47 SHGC: 0.18 - 0.58 STC: up to 33
<b>Bifold Patio Door</b>		Contact your local Pella sales representative or Pella Architectural Solutions for assistance and additional details.		Out-Swing, Standard Sill: R15 - LC25 U: 0.26 – 0.44 SHGC: 0.13 – 0.45
<b>Multi-slide Patio Door</b>		Contact your local Pella sales representative or Pella Architectural Solutions for assistance and additional details.		1-1/2" Weep sill: R15 – LC35 Varies by sill type: U: 0.32 – 0.48 SHGC: 0.15 – 0.46

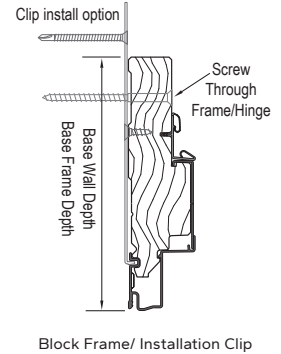
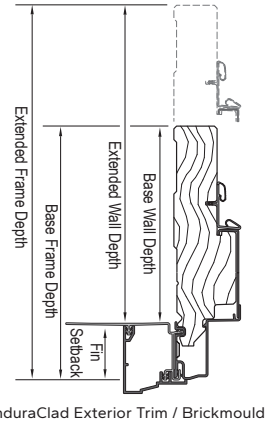
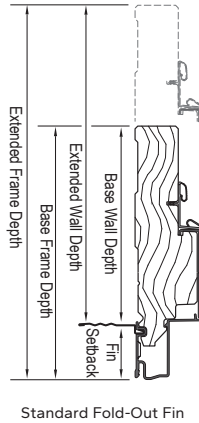
Performance ranges shown are for single units and do not account for combinations (multiple units mulled together) or include Impact-Resistant performance. ASTM E 1425 defines standard sizes for acoustical testing. Sound ratings achieved are representative of all sizes of the same configuration. Drawings are not to scale.

# Brand Overview

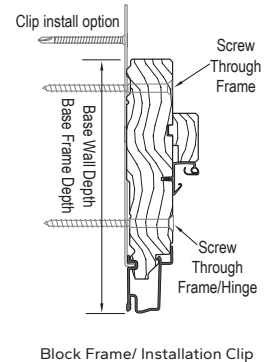
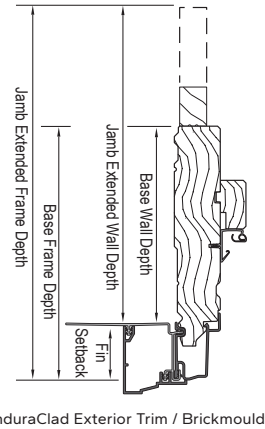
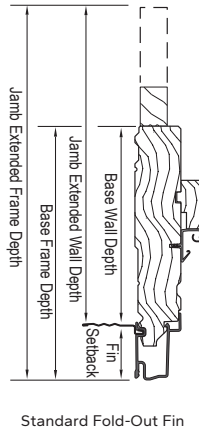
## Window Frame Dimensions



## In-Swing Door Frame Dimensions



## Out-Swing Door Frame Dimensions



Window and door frames shown are typical products only and may not apply to specialty windows, custom products or multi-panel patio doors.



For installation instructions visit <https://www.pella.com/professionals/installation-instructions/>  
Use this Quick-Read (QR) code with your mobile device for quick access.

Internet connection is required.



### Rolscreen® Retractable Screens

Optional Rolscreen Retractable Screen rolls out of sight when you're not using it, so the screen stays protected.

Soft-closing retractable screens are available for casement windows.

### Integrated Rolscreen® Retractable Screen

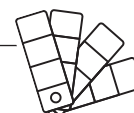
Our patented retractable screen that moves seamlessly with the sash of a single- or double-hung window – appearing when you open the window and rolling out of sight when you close it. Providing a cleaner, more polished look that allows more natural light into the space than a full screen.

This feature is exclusively offered on Pella® Reserve™ windows.

WARNING: Screen will not stop child or pet from falling out of window or door. Keep child or pet away from open window or door.

## Finishes

### EnduraClad® Protective Finish Options + Virtually Unlimited Custom Colors and Wood Options



### Interior Prefinished Colors



## Screens



### InView™ Screen

Standard screen on Pella wood windows, as well as Rolscreen® retractable screen on casement windows, and Integrated Rolscreen® on Pella® Reserve™ single- and double-hung windows.

Vinyl coated 18/18 mesh fiberglass. Complies with performance requirements of SMA 1201.

### TuffScreen® by Phifer®

The TuffScreen is 2.5x stronger than a standard screen. It is tear, puncture and damage resistant, standing up to pets, children and harsh weather. Now available on Pella wood sliding patio doors.

Vinyl coated 17 x 12.5 mesh Polyester. Complies with performance requirements of SMA 1201.

Because of printing and display limitations, actual colors may vary from those shown.

(1) Based on the composite results of a 5-panel strength analysis comparing Tuffscreen and standard screening. The TuffScreen trademark is property of Phifer Incorporated.

WARNING: Screen will not stop child or pet from falling out of window or door. Keep child or pet away from open window or door.

# Brand Overview

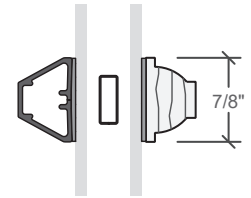
## Grilles

For a full list of grille size and pattern availability, contact your local Pella sales representative.

### Integral Light Technology® Grilles

- Extruded aluminum or wood grilles are adhered to the exterior face
- Wood grilles are adhered to the interior face
- Between-the-glass non-glare spacers, which are aligned with the interior and exterior grilles, replicate the appearance of true divided lights
- Typical grilles are 7/8" wide Putty Glazed or Ogee profile, other standard and custom widths are available
- Custom grille patterns are available

### Grille Profile

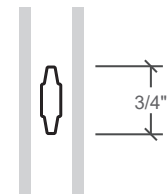


5/8", 7/8", 1-1/4", and 2" widths

### Grilles-Between-the-Glass<sup>1</sup>

- Permanent aluminum grilles are factory-installed inside the airspace of insulating glass
- Black, White, Brown, Fossil, Ivory, Harvest, or Cordovan.
- Colors complement today's most popular interior finishes; choose a color to coordinate with the window or door frame, or select a contrasting grille color for a one-of-a-kind look
- Grilles are 3/4" wide

### Grille Profile

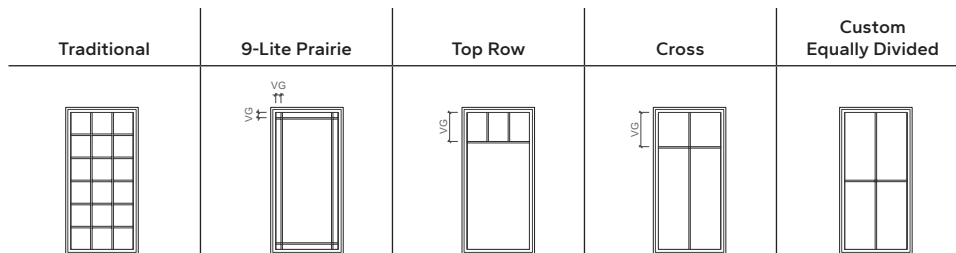


3/4" width

### GBG Colors



### Available Patterns



Pattern availability may vary depending on size of unit.

Custom configurations are also available; for details contact your local Pella sales representative.

<sup>1</sup>) Appearance of exterior grille color may vary depending on the Low-E insulating glass selection.

## Hardware

Consult your local Pella sales representative for a full list of available hardware options.

### Rustic Collection



Casement/Awning Window

Double-Hung Window

Hinged Patio Door Bifold Door<sub>1</sub>

Sliding Patio Door, Multi-slide Door<sub>2</sub>

### Finishes



Distressed Nickel

Distressed Bronze

### Classic Collection



Casement/Awning Window

Double-Hung Window

Hinged Patio Door Bifold Door<sub>1</sub>

Sliding Patio Door, Multi-slide Door<sub>2</sub>

### Finishes



White

Champagne

Brown

Matte Black

Satin Brass

Satin Nickel

Oil-Rubbed Bronze

### Essential Collection



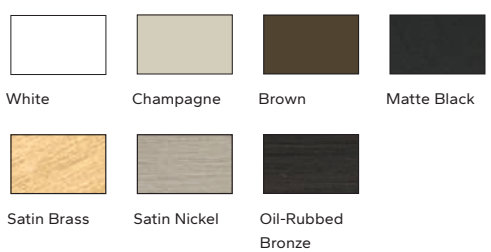
Casement/Awning Window

Double-Hung Window

Hinged Patio Door Bifold Door<sub>1</sub>

Sliding Patio Door

### Finishes



White

Champagne

Brown

Matte Black

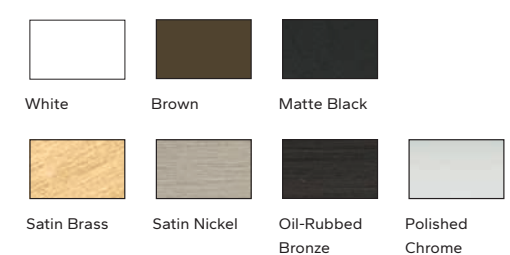
Satin Brass

Satin Nickel

Oil-Rubbed Bronze



Multi-Slide Door



White

Brown

Matte Black

Satin Brass

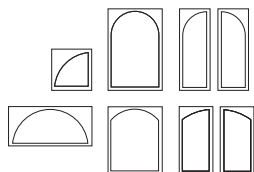
Satin Nickel

Oil-Rubbed Bronze

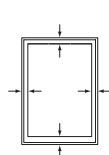
Polished Chrome

## Custom Capabilities

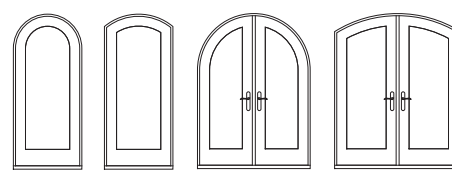
Consult your local Pella sales representative for available options.



Custom Glass Shapes Available



Custom Stile and Rail Widths Available



Custom Door Shapes Available

(1) Only available on Bifold configurations with a passage door. (2) Will not allow lead panel to stack completely. Because of printing and display limitations, actual colors may vary from those shown.



Pella®  
Reserve™  
Traditional

Awning



**Air, Water, & Structural Performance**

Performance Class & Grade Rating	Water Penetration Resistance	Air Infiltration	Design Pressure	Forced Entry
LC30 – CW50	14.62 psf	0.05	30 – 50 psf	10

**Thermal Performance**

**Clad Vent Units**

1 1/16" glass thickness, 3mm, Dual-Pane;

Triple-Pane also available.

Type of Glazing (Argon fill)	U-Factor	SHGC	VLT %	CR	Energy Star® Capable
Advanced Low-E IG	0.29 – 0.33	0.25 – 0.27	0.46 – 0.51	52 – 56	—
SunDefense™ Low-E IG	0.28 – 0.32	0.19 – 0.21	0.42 – 0.47	52 – 56	SC, S
SunDefense+ Low-E IG	0.25 – 0.28	0.18 – 0.20	0.41 – 0.45	40 – 44	NC, SC, S
AdvancedComfort Low-E IG	0.26 – 0.28	0.24 – 0.27	0.45 – 0.49	40 – 44	—
NaturalSun Low-E IG	0.30 – 0.34	0.45 – 0.50	0.52 – 0.57	52 – 56	—
NaturalSun+ Low-E IG	0.26 – 0.29	0.41 – 0.46	0.51 – 0.56	39 – 43	CA, N

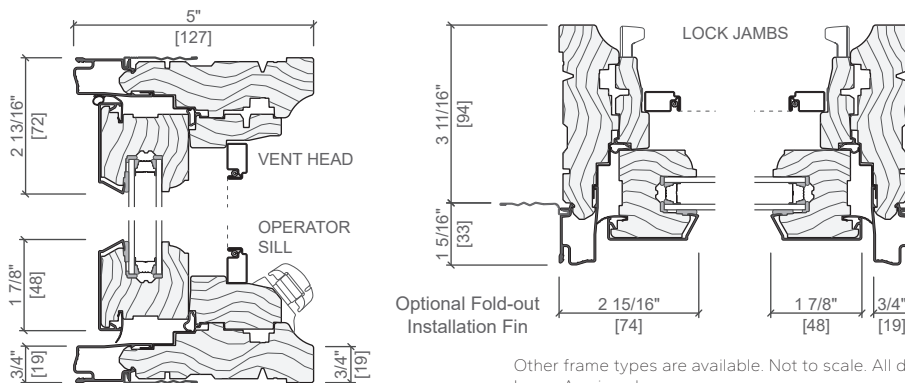
**Sound Performance**

ASTM E 1425 defines standard sizes for acoustical testing. Ratings achieved are representative of all sizes of the same configuration.

Frame Size Tested	Type of Glazing	Without Grilles		
		STC	OITC	
Vent; 53" x 29"	1 1/16" Overall thickness	2.5mm / 2.5mm glass	27	23
		5mm / 3mm glass	32	27
	3mm / 6mm glass PVB	33	28	
Vent; 59" x 23"	1" Overall thickness	3mm / 3mm / 3mm glass	30	24
	Fixed; 47" x 59"	1 1/16" Overall thickness	3mm / 3mm glass	28
5mm / 3mm glass			31	27
3mm / 6mm glass PVB			32	28

**Code Approvals:** Hallmark Certified 411-H-1339, **FPAS#:** Standard=FL 10026, Large Awning= FL 10022

See the Performance section to learn more about performance standards and ratings. Performance varies based on actual product attributes.



Other frame types are available. Not to scale. All dimensions are approximate. Large Awning shown.

## Standard Sizes

### Vent Units

	(451) (432)	(552) (533)	(603) (584)	(654) (635)	(756) (737)
Opening	1' 5 3/4"	1' 9 3/4"	1' 11 3/4"	2' 1 3/4"	2' 5 3/4"
Frame	1' 5"	1' 9"	1' 11"	2' 1"	2' 5"
	50 1717	50 2121	50 2323	50 2525	50 2929

### Vent and Fixed Units

	(832) (813)	(908) (889)	(1 060) (1 041)	(1 213) (1 194)	(1 365) (1 346)	(1 518) (1 499)
Opening	2' 8 3/4"	2' 11 3/4"	3' 5 3/4"	3' 11 3/4"	4' 5 3/4"	4' 11 3/4"
Frame	2' 8"	2' 11"	3' 5"	3' 11"	4' 5"	4' 11"
	50 3217	50 3517	50 4117	50 4717	50 5317	50 5917
	50 3221	50 3521	50 4121	50 4721	50 5321	50 5921
	50 3223	50 3523	50 4123	50 4723	50 5323	45 50 5923
	50 3225	50 3525	50 4125	50 4725	50 5325	45 50 5925
	50 3229	50 3529	50 4129	50 4729	50 5329	45 50 5929

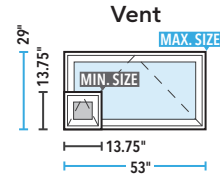
## Large Awning Standard Sizes

### Vent Units

	(908) (889)	(1 060) (1 041)	(1 213) (1 194)	(1 365) (1 346)	(1 518) (1 499)
Opening	2' 11 3/4"	3' 5 3/4"	3' 11 3/4"	4' 5 3/4"	4' 11 3/4"
Frame	2' 11"	3' 5"	3' 11"	4' 5"	4' 11"
	40 3535	40 4135	40 4735	40 5335	40 5935
	40 3541	40 4141	40 4741	40 5341	40 5941
	40 3547	40 4147	40 4747	40 5347	40 5947
	40 3553	40 4153	40 4753	40 5353	40 5953
	40 3559	40 4159	40 4759	40 5359	40 5959

## Special Sizes

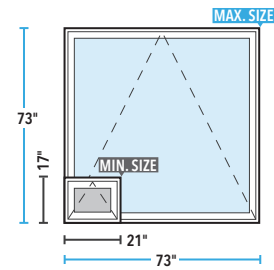
Special sizes are available in 1/8" increments.



Maximum frame area is 19.5 sq. ft.

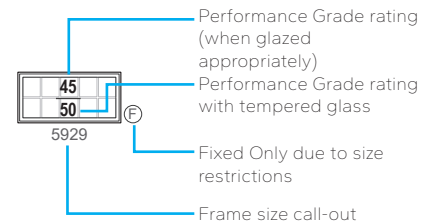
Frame height cannot exceed frame width on venting standard awning special sizes.

### Large Awning



Frame width and frame height cannot both exceed 59" on venting large awning special sizes.

See Casements for available fixed size dimensions.



Impact-Resistant laminated glazing with higher design pressure ratings are available for Pella Reserve Traditional windows.

Available Impact-Resistant Vent sizes and glass types are tested for air/water/structural and impact-resistance, and are certified for wind zone 4, large missile rating D. Florida Product Approval System number not needed if Miami-Dade County approved.

View Pella documentation online for additional size and performance information.

Use the QR code below for quick access or visit [www.Pella.com](http://www.Pella.com)







Pella®  
Reserve™  
Traditional  
Casement



**Air, Water, & Structural Performance**

Performance Class & Grade Rating	Water Penetration Resistance	Air Infiltration	Design Pressure	Forced Entry
LC30 – CW50 Push-Out Casement: R30	14.62 psf	0.05	30 – 50 psf	10

**Thermal Performance  
Clad Vent Units**

1 1/16" glass thickness, 3mm Dual-Pane; Triple-Pane also available.

Type of Glazing (Argon fill)	U-Factor	SHGC	VLT %	CR	Energy Star® Capable
Advanced Low-E IG	0.29 – 0.33	0.25 – 0.27	0.46 – 0.51	54 – 57	–
SunDefense™ Low-E IG	0.28 – 0.33	0.19 – 0.21	0.42 – 0.47	54 – 57	SC, S
SunDefense+ Low-E IG	0.25 – 0.28	0.18 – 0.20	0.41 – 0.46	42 – 45	NC, SC, S
AdvancedComfort Low-E IG	0.25 – 0.28	0.24 – 0.27	0.45 – 0.49	41 – 45	NC
NaturalSun Low-E IG	0.30 – 0.34	0.45 – 0.50	0.52 – 0.57	53 – 56	–
NaturalSun+ Low-E IG	0.26 – 0.29	0.41 – 0.46	0.51 – 0.56	41 – 44	CA, N

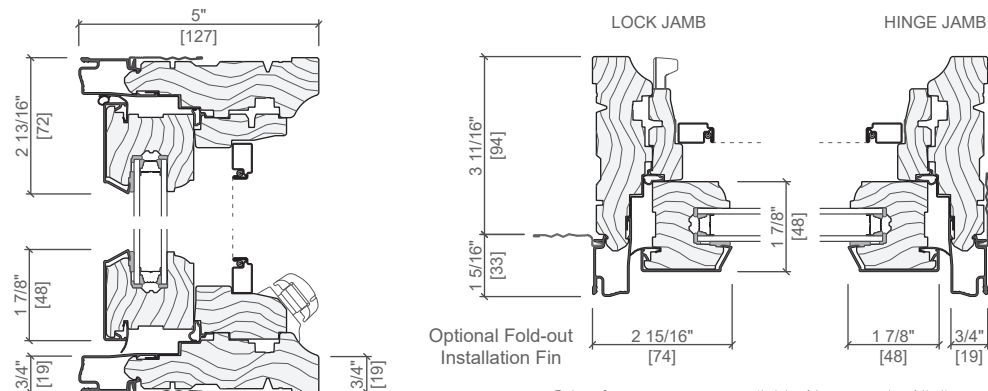
**Sound Performance**

ASTM E 1425 defines standard sizes for acoustical testing. Ratings achieved are representative of all sizes of the same configuration.

Frame Size Tested	Type of Glazing	Without Grilles		
		STC	OITC	
Vent; 23" x 59"	1 1/16" Overall thickness	2.5mm / 2.5mm glass	27	23
		5mm / 3mm glass	32	27
		3mm / 6mm glass PVB	33	28
Fixed; 47" x 59"	1 1/16" Overall thickness	3mm / 3mm glass	30	24
		5mm / 3mm glass	28	24
		3mm / 6mm glass PVB	31	27
		3mm / 6mm glass PVB	32	28

**Code Approvals:** Hallmark Certified 411-H-1339; **FPAS#:** Vent: FL 10015; Fixed: FL 10022

See the Performance section to learn more about performance standards and ratings. Performance varies based on actual product attributes.



Other frame types are available. Not to scale. All dimensions are approximate.

# Standard Sizes

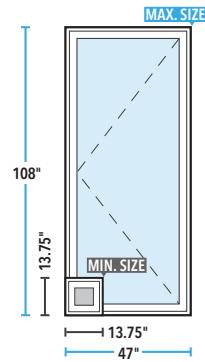
## Vent and Fixed Units

Opening	1' 5 3/4"	1' 9 3/4"	1' 11 3/4"	2' 1 3/4"	2' 5 3/4"	2' 8 3/4"	2' 11 3/4"
Frame	1' 5"	1' 9"	1' 11"	2' 1"	2' 5"	2' 8"	2' 11"
(375) (451) (552) (603) (654) (756) (832) (908)	(432) (432) (533) (584) (635) (737) (813) (889)	(552) (533) (533) (584) (635) (737) (813) (889)	(603) (584) (584) (584) (635) (737) (813) (889)	(654) (635) (635) (635) (635) (737) (813) (889)	(756) (737) (737) (737) (737) (737) (813) (889)	(832) (813) (813) (813) (813) (813) (813) (813)	(908) (889) (889) (889) (889) (889) (889) (889)
1' 2"	50 (F) 1714	50 (F) 2114	50 (F) 2314	50 (F) 2514	50 (F) 2914	50 (F) 3214	50 (F) 3514
1' 5"	50 (F) 1717	50 (F) 2117	50 (F) 2317	50 (F) 2517	50 (F) 2917	50 (F) 3217	50 (F) 3517
1' 9"		50 2121					
1' 11"			50 2323				
2' 1"	50 (F) 1725	50 (F) 2125	50 (F) 2325	50 (F) 2525	50 (F) 2925	50 (F) 3225	50 (F) 3525
2' 5"				50 2929			
2' 8"	50 1732	50 2132	50 2332	50 2532	50 2932	50 E3 3232	50 (F) 3532
2' 11"	50 1735	50 2135	50 2335	50 2535	50 E3 2935	50 E2 3235	50 E1 3535
3' 5"	50 1741	50 2141	50 2341	50 E3 2541	50 E1 E2 2941	50 E1 E2 3241	50 E 3541
3' 11"	50 1747	50 2147	50 2347	50 E2 2547	50 E 2947	50 E 3247	50 E 3547
4' 5"	50 1753	50 2153	50 2353	50 E2 2553	50 E 2953	50 E 3253	45 50 E 3553
4' 11"	50 1759	50 2159	45 50 2359	45 50 E2 2559	45 50 E 2959	45 50 E 3259	50 E 3559
5' 5"	50 1765	45 50 2165	40 50 2365	40 50 E2 2565	40 50 E 2965	50 E 3265	50 E 3565
5' 11"	50 (T) 1771	45 50 2171	35 50 2371	35 50 E2 2571	45 50 E 2971	45 50 E 3271	45 50 E 3571
6' 1"	50 (T) 1773	40 50 2173	35 50 2373	30 50 E2 2573	45 50 E 2973	45 50 E 3273	45 50 E 3573

# Special Sizes

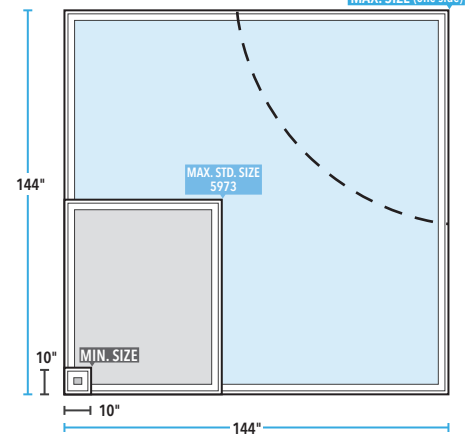
Special sizes are available in 1/8" increments.

## Vent Sizes

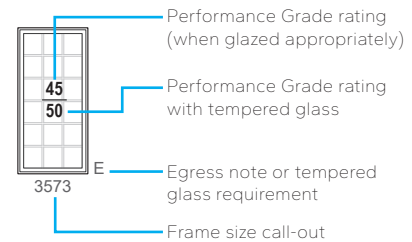


Frame width cannot exceed frame height on vent special sizes. Maximum frame area cannot exceed 36 sq. ft.

## Fixed Sizes



Fixed maximum frame area is 66.25 sq. ft. Maximum glass area cannot be greater than 60 sq. ft.



(F) Fixed units only.

(T) Tempered glass is standard.

For frame width ≤ 29" with side pivot hardware, maximum Performance Grade = 40.

Impact-Resistant laminated glazing with higher design pressure ratings available.

### Egress Notes (IRC standard):

- E = Window meets minimum clear opening of 24" height, 20" width, and 5.7 sq. ft.
- E1 = Window meets minimum clear opening of 24" height, 20" width, and 5.7 sq. ft.
- E2 = With optional side pivot hardware, window meets minimum clear opening of 24" height, 20" width, and 5.7 sq. ft.
- E3 = With optional side pivot hardware, window meets minimum clear opening of 24" height, 20" width, and 5.0 sq. ft.

Check all applicable local codes for emergency egress requirements.

Special sizes wider than 35" do not meet egress due to restricted sash opening angle.

See complete product information online for additional information. Use the QR code for quick access or visit [www.Pella.com](http://www.Pella.com).





Pella®  
Reserve™  
Traditional

Casement  
Shapes



Shapes and Sizes

Fixed Curved	Side	Min.	Max.	Fixed Curved	Side	Min.	Max.	Fixed Angled	Side	Min.	Max.	Fixed Angled	Side	Min.	Max.
	W	18"	116"		W	9"	144"		W	9"	144"		W1	15-3/16"	144"
Half Circle	H	9"	58"		H	9-1/8"	144"		H	9-1/16"	144"		W2	9"	—
	R1	9"	58"	Partial Arch Head*	R1	10-3/8"	500"		S1	9"	144"		H	12-1/8"	144"
	W	9"	87-7/8"		S	9"	96"		W	9"	144"		S	10-1/4"	120"
Quarter Circle	H	9"	87-7/8"		W	9"	111-15/16"		H	16-13/16"	144"		W1	10"	144"
	R1	9"	87-7/8"		H	9-13/16"	144"		S1/2	9"	144"		W2	1"	—
	W	18"	122-5/8"		R1	9"	500"		W	11-1/4"	144"		H	9"	144"
Springline*	H	11"	144"	Full Circle	W	18"	72"		H	11-1/4"	135-5/16"		W1	9-1/16"	144"
	R1	9"	72"		H	18"	72"		S	11-1/4"	144"		W2	9"	—
	S	2"	—	Segmented Oval	W	22-1/2"	54"		W	11-1/4"	144"		H	9"	144"
	W	9"	86-7/8"		R1	9"	36"		H	11-1/4"	141-3/4"		W	9"	144"
Partial Springline*	H	11"	144"	Partial Toroid	W	10"	144"		S	9"	144"		H	9"	144"
	R1	9"	500"		H	10"	144"		W	21-3/4"	87-7/8"		S	9"	—
	S	2"	—		R1	> 12"	< R2 - 9"		H	21-3/4"	87-7/8"		W	11-1/4"	135-5/16"
	W	23"	144"		R2	> 21"	< 88"		S	9"	39-3/4"		H	11-1/4"	135-5/16"
Full Chord	H	10-1/2"	(W÷2)-1		W	10"	144"		W	18"	89"		S	9"	144"
	R1	12"	150"		H	10"	144"		H	15-19/32"	77"		W	9"	144"
	W	9"	128-1/2"	Elliptical Springline	W	18"	144"		S	9"	44-1/2"		H1	9"	144"
Partial Chord	H	10-1/2"	128-1/2"		H	11"	144"		W1	12-1/4"	120"		H2	1"	—
	R1	10-1/8"	500"		R1	9"	500"		W2	9"	—		H1	9"	144"
	W	40-3/4"	144"		R2	9"	500"		H	12-1/4"	120"		S	9"	—
Elliptical	H	11-1/4"	54"		S	2"	—		S	9"	—				
	R1	9"	500"	Arch Head*	W	9"	41"								
	R2	9-1/4"	500"		H	9-1/16"	144"								
	W	9-1/4"	144"		R1	9"	500"								
Partial Elliptical	H	9-1/8"	54"		R1	9"	500"								
	R1	9"	500"		S	8"	—								
	R2	9"	41"												
	W	9"	41"												
Arch Head*	H	9-1/16"	144"												
	R1	9"	500"												
	S	8"	—												

\* Vent also available. Sizes may differ.

## CASEMENT SHAPES

<b>Air, Water, &amp; Structural Performance</b>	<b>Performance Class &amp; Grade Rating</b>	<b>Water Penetration Resistance</b>	<b>Air Infiltration</b>	<b>Design Pressure</b>	<b>Forced Entry</b>
	LC40 – CW50	7.5 psf	0.05	40 – 50 psf	10

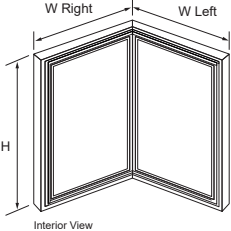
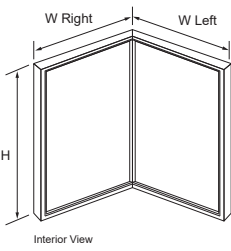
<b>Thermal Performance</b>	<b>Type of Glazing (Argon fill)</b>	<b>U-Factor</b>	<b>SHGC</b>	<b>VLT %</b>	<b>CR</b>	<b>Energy Star® Capable</b>
	Advanced Low-E IG	0.29 – 0.33	0.25 – 0.27	0.46 – 0.51	54 – 57	–
<b>Clad Vent Units</b>	SunDefense™ Low-E IG	0.28 – 0.32	0.19 – 0.21	0.43 – 0.47	54 – 58	SC, S
	SunDefense+ Low-E IG	0.25 – 0.28	0.18 – 0.20	0.42 – 0.46	42 – 46	NC, SC, S
	AdvancedComfort Low-E IG	0.25 – 0.28	0.24 – 0.27	0.45 – 0.50	42 – 45	NC
	NaturalSun Low-E IG	0.29 – 0.34	0.46 – 0.50	0.52 – 0.57	53 – 57	–
	NaturalSun+ Low-E IG	0.26 – 0.29	0.41 – 0.46	0.51 – 0.56	41 – 44	CA, N

11/16" glass thickness, 3mm Dual-Pane, Triple-Pane also available.

**Code Approvals:** Hallmark Certified; **FPAS#:** FL 11282

Maximum performance when glazed with the appropriate glass. See the Performance section earlier in this manual to learn more about performance standards and ratings.

Performance varies based on actual product attributes.

	<b>Mitered Corner</b>	<b>Fixed</b>	<b>Minimum</b>	<b>Maximum</b>	<b>Restrictions</b>
<b>Fixed Sash in Frame (Casement)</b>		W Left	12"	4' 0"	Maximum frame area of each side cannot exceed 54.5 sq. ft. Maximum Glass Area of each side cannot exceed 48 sq. ft.
		W Right	12"	4' 0"	
		Height	12"	6'1"	
<b>Fixed Frame Direct Set</b>		W Left	12"	4' 8"	Maximum frame area of each side cannot exceed 54.5 sq. ft. Maximum glass area of each side cannot exceed 48 sq. ft.
		W Right	12"	4' 8"	
		Height	12"	6' 1"	See Fixed Frame Direct Set product section for features and options.





Pella®  
Reserve™  
Traditional

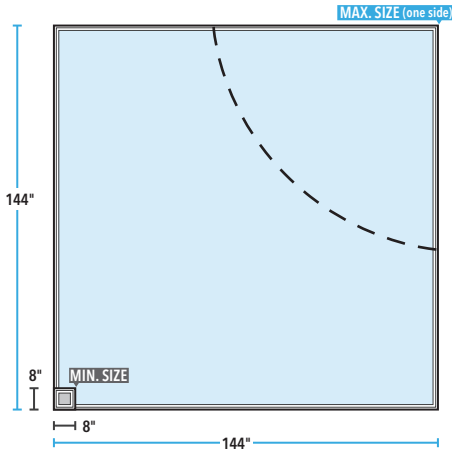
Fixed Frame  
Direct Set



Photograph(s):  
© 2018 Ed Massery

Sizes are available in 1/8" increments.

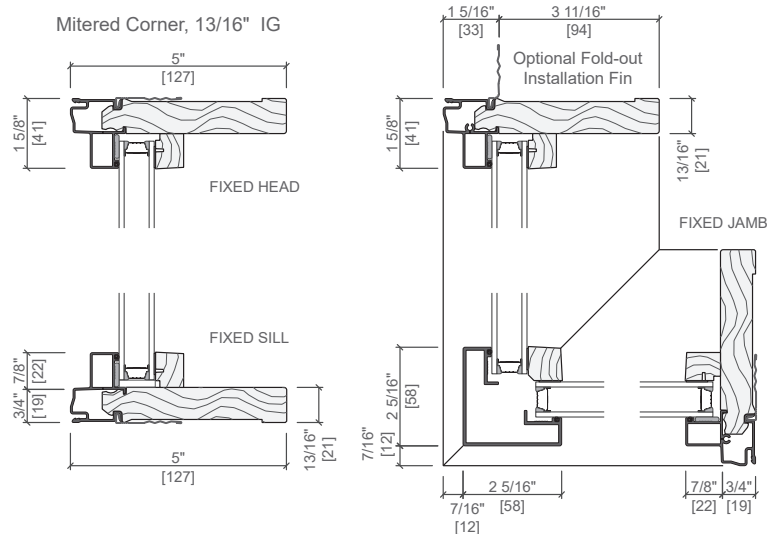
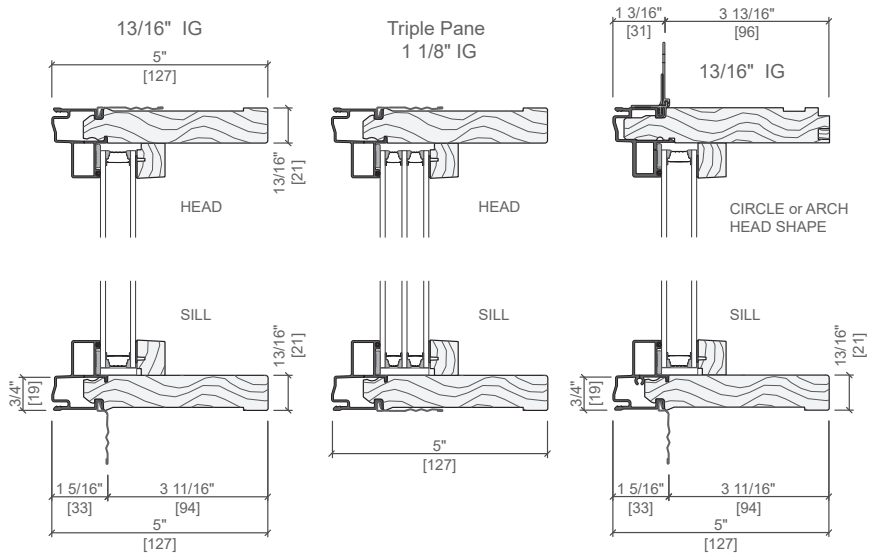
Fixed Interior Glazed



Interior Glazed Fixed Frames are available up to a maximum glass area of 76 sq. ft. (7.06 m<sup>2</sup>). Not all sizes are certified.

Impact Resistant Glazing is limited to a maximum frame area of 50 sq. ft.

See online ADM or contact your local Pella sales representative for size and performance limitations of Mitered Corner windows.



Other frame types are available.

Not to scale. All dimensions are approximate.

## Sizes & Performance – Interior Glazed

Air, Water, & Structural Performance	Performance Class & Grade Rating	Water Penetration Resistance	Air Infiltration	Design Pressure	Forced Entry
	F-CW30 – F-CW90	14.62 psf	0.05	30 – 90 psf	–

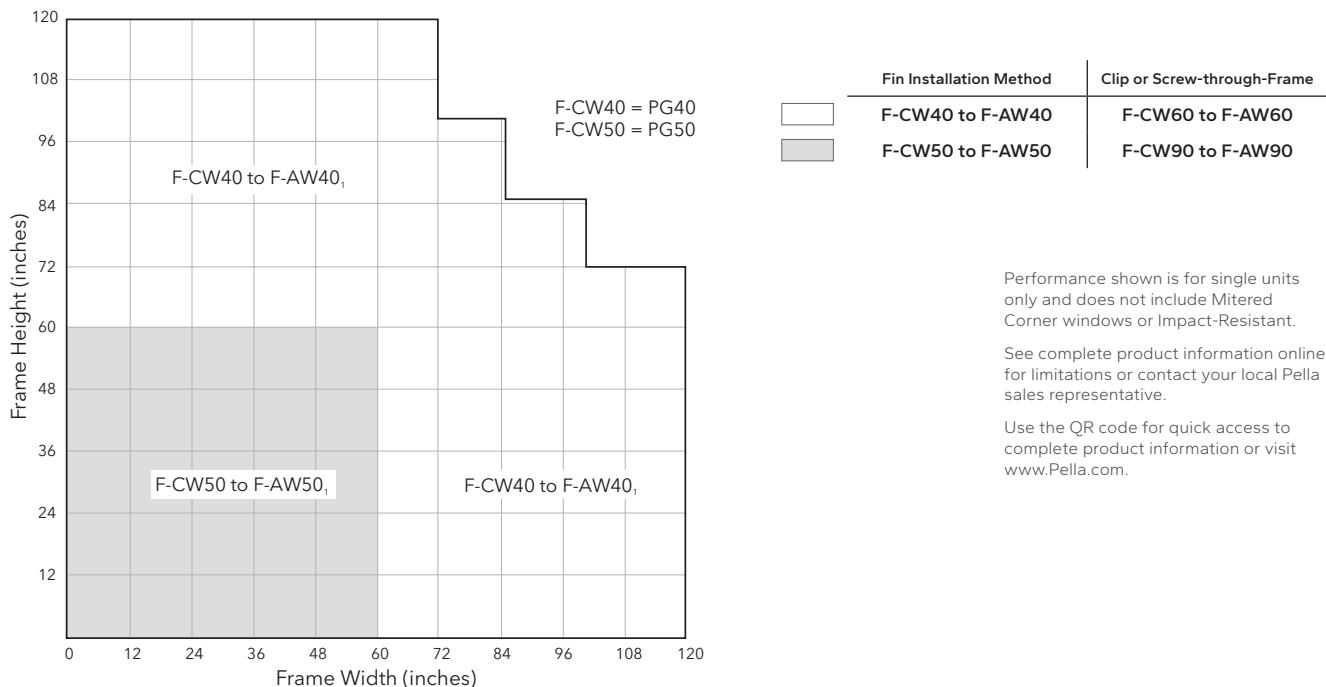
Thermal Performance	Type of Glazing (Argon fill)	U-Factor	SHGC	VLT %	CR	Energy Star® Capable
<b>Fixed Units</b> Dual Pane: 13/16" glass thickness, 3mm, Dual-Pane	Advanced Low-E IG	0.28 – 0.33	0.29 – 0.33	0.55 – 0.62	54 – 57	–
	SunDefense™ Low-E IG	0.28 – 0.32	0.22 – 0.24	0.51 – 0.57	54 – 57	SC, S
	SunDefense+ Low-E IG	0.23 – 0.32	0.21 – 0.24	0.50 – 0.57	46 – 54	NC, SC, S
	AdvancedComfort Low-E IG	0.23 – 0.27	0.29 – 0.32	0.54 – 0.60	42 – 45	NC
	NaturalSun Low-E IG	0.29 – 0.34	0.55 – 0.61	0.63 – 0.70	53 – 57	CA
<b>Triple Pane:</b> 1-1/8" glass thickness, 3mm	NaturalSun+ Low-E IG	0.24 – 0.27	0.50 – 0.55	0.61 – 0.68	41 – 45	CA, N
	Advanced Low-E IG	0.18 – 0.22	0.27 – 0.30	0.49 – 0.54	65 – 69	CA, N, NC
	SunDefense Low-E IG	0.18 – 0.22	0.20 – 0.22	0.45 – 0.50	65 – 69	CA, N, NC, SC, S
	NaturalSun Low-E IG	0.18 – 0.22	0.45 – 0.49	0.55 – 0.61	65 – 68	CA, N

Sound Performance  ASTM E 1425 defines standard sizes for acoustical testing. Ratings achieved are representative of all sizes of the same configuration.	Frame Size Tested	Type of Glazing	Without Grilles	
			STC	OITC
			47" x 59"	13/16" Overall Thickness Dual-Pane
4mm / 4mm	28	24		
5mm / 3mm	31	26		
1" Overall Thickness Dual-Pane	4mm / 6mm	34		28
	6mm / 6mm	31		26
1" Overall Thickness Dual-Pane Sound Reduction Glass	4mm / 7mm PVB	34		29
1-1/4" Overall Thickness Dual-Pane Sound Reduction Glass	6mm / 12mm PVB	38		34
1" Overall Thickness Dual-Pane Impact Laminated Glass	11.7mm PVB / 5mm glass	36		32
	11.7mm SGP / 5mm glass	35		31
1-1/4" Overall Thickness Dual-Pane Impact Laminated Glass	13.6mm SPG / 6mm glass	37		31
1-3/8" Overall Thickness Triple-Pane Glazing	5mm / 5mm / 5mm	31	26	

### Code Approvals:

Interior Glazed - Hallmark Certified 411-H-670; **FPAS#:** Standard = FL 10354; Impact Resistant = FL 20349 **TDI#:** Standard = WIN-1574; Impact Resistant = WIN-478

See the Performance section earlier in this manual to learn more about performance standards and ratings.



Maximum performance when glazed with the appropriate glass thickness and using the correct installation method.

Keep special size frame dimensions to the nearest 1/8" increment.

(1) AAMA / WDMA F-AW rating can be obtained with the EnduraClad Plus protective finish with 70% fluoropolymer resin in a multi-step finish.





Pella®  
Reserve™  
Traditional

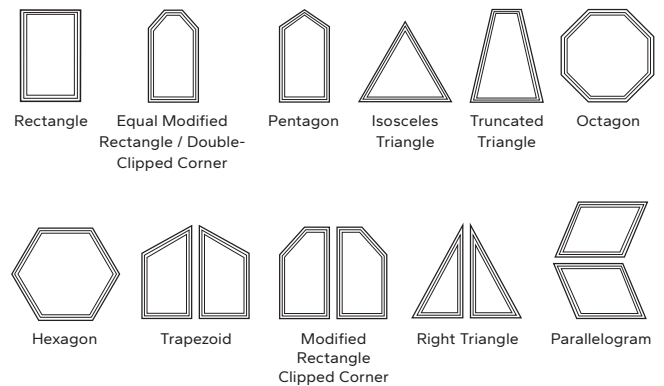
Fixed Frame  
Direct Set  
Shapes



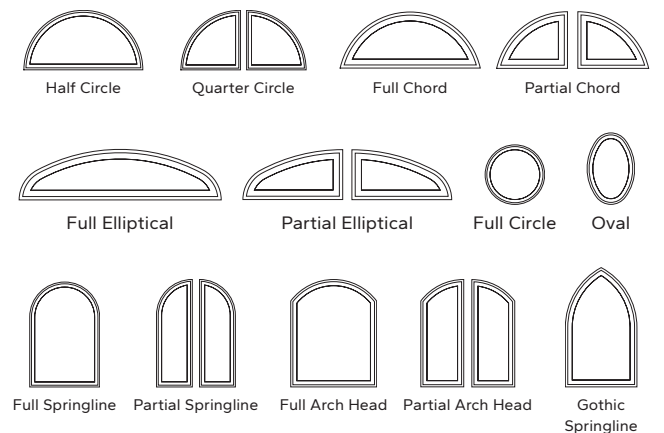
Shapes and Sizes – Interior Glazed

Description	Width		Height		Max. Glass Ft²
	Min.	Max.	Min.	Max.	
Rectangle	8"	144"	8"	144"	76
Half Circle	24"	120"	—	—	48
Quarter Circle	12"	85"	—	—	48
Full Springline	24"	108"	R + 4.25"	120"	48
Half Springline	12"	85"	R + 4.25"	120"	48
Full Chord	24"	120"	10.5"	(W ÷ 2) - 1"	48
Partial Chord	9"	120"	10.5"	85.125"	48
Full Elliptical	32.5"	120"	R1+1.25"	<W ÷ 2"	48
Partial Elliptical	14"	120"	R1+1.25"	60"	48
Full Arch Head	9"	120"	9"	120"	48
Partial Arch Head	9"	120"	9"	120"	48
Gothic Springline	9"	108"	14"	120"	48
Full Circle	24"	72"	—	—	—
Oval	Standard sizes only. 24" W x 36" H, 30" W x 48" H or 36" W x 60" H				

Rectangular and Angled Shapes



Curved Shapes



H=Height; S=Short Side; R=Radius, Angled and Curved frames are measured as a rectangle.

Pella angled and rectangular fixed frame direct set windows are available in custom shapes above. Not all options are shown. These windows may be installed in any orientation. For specifications, size limitations, and details on these units, contact your local Pella sales representative.



PELLA® RESERVE™ TRADITIONAL FIXED FRAME DIRECT SET





Pella®  
Reserve™  
Traditional

Double-  
Hung



Photograph(s):  
© Thomas Loof

**Air, Water,  
& Structural  
Performance**

Performance Class & Grade Rating	Water Penetration Resistance	Air Infiltration	Design Pressure	Forced Entry
H-CW30 - CW50	4.6 – 7.5 psf	0.11	30 – 50 psf	10

**Thermal  
Performance**

**Clad Vent  
Units**

1 1/16" glass  
thickness, 2.5 and  
3mm, Dual-Pane

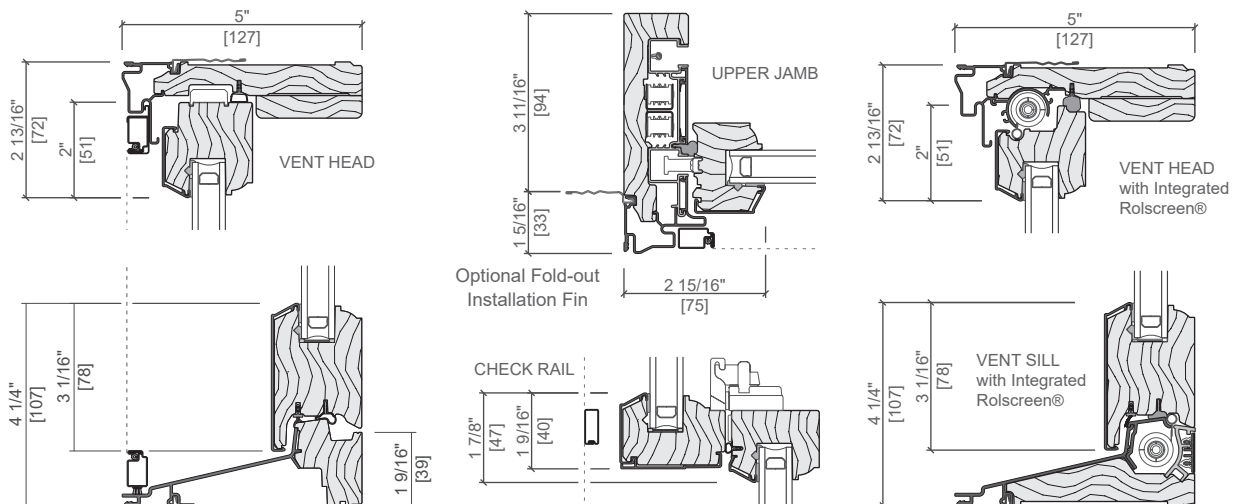
Type of Glazing (Argon fill)	U-Factor	SHGC	VLT %	CR	Energy Star® Capable
Advanced Low-E IG	0.29 – 0.33	0.25 – 0.28	0.46 – 0.53	55 – 60	—
SunDefense™ Low-E IG	0.28 – 0.33	0.19 – 0.21	0.43 – 0.49	55 – 60	SC, S
SunDefense+ Low-E IG	0.25 – 0.28	0.18 – 0.21	0.42 – 0.48	43 – 49	NC, SC, S
AdvancedComfort Low-E IG	0.25 – 0.28	0.25 – 0.28	0.45 – 0.52	43 – 48	NC
NaturalSun Low-E IG	0.30 – 0.34	0.46 – 0.52	0.52 – 0.60	55 – 59	—
NaturalSun+ Low-E IG	0.26 – 0.29	0.42 – 0.48	0.51 – 0.58	42 – 47	CA, N

**Sound  
Performance**

Frame Size Tested	Type of Glazing	Without Grilles	
		STC	OITC
Vent; 45" x 65"	1 1/16" Overall glazing thickness	28	24
	2.5mm / 2.5mm glass 5mm / 3mm glass	31	27

Code Approvals: Hallmark Certified, FPAS#: 20675, TDI#:Win-2174

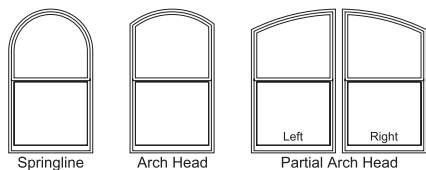
See the Performance section to learn more about performance standards and ratings. Performance varies based on actual product attributes.



Other frame types are available. Not to scale. All dimensions are approximate.

# Standard Sizes

	(552) (533)	(654) (635)	(756) (737)	(857) (838)	(959) (940)	(1 060) (1 041)	(1 162) (1 143)	(1 238) (1 219)
Opening	1' 9 <sup>3</sup> / <sub>4</sub> "	2' 1 <sup>3</sup> / <sub>4</sub> "	2' 5 <sup>3</sup> / <sub>4</sub> "	2' 9 <sup>3</sup> / <sub>4</sub> "	3' 1 <sup>3</sup> / <sub>4</sub> "	3' 5 <sup>3</sup> / <sub>4</sub> "	3' 9 <sup>3</sup> / <sub>4</sub> "	4' 0 <sup>3</sup> / <sub>4</sub> "
Frame	1' 9"	2' 1"	2' 5"	2' 9"	3' 1"	3' 5"	3' 9"	4' 0"
(908) (889)	2135	2535	2935	3335	3735	4135	4535	4835
(1 060) (1 041)	2141	2541	2941	3341	3741	4141	4541	4841
(1 213) (1 194)	2147	2547	2947	3347	3747	4147	4547	4847
(1 365) (1 346)	2153	2553	2953	3353	3753	4153	4553	4853
(1 467) (1 448)	2157	2557	2957	3357	3757	4157	4557	4857
(1 518) (1 499)	2159	2559	2959	3359	3759	4159	4559	4859
(1 670) (1 651)	2165	2565	2965	3365	3765	4165	4565	4865
(1 822) (1 803)	2171	2571	2971	3371	3771	4171	4571	4871
(1 975) (1 956)	2177	2577	2977	3377	3777	4177	4577	4877
(2 153) (2 134)	2184	2584	2984	3384	3784	4184	4584	4884

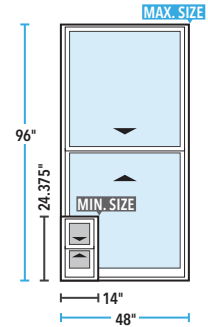


Pella Reserve single-hung windows are available in custom shapes. For specifications, size limitations, and details on these units, contact your local Pella sales representative.

# Special Sizes

Special sizes are available in 1/8" increments.

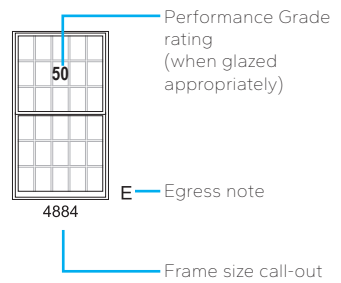
## Vent-Equal



Cottage and custom sash split also available. Specify checkrail height when ordering.

Transoms and Companion fixed windows available for combinations. See Casement window offering for matching glass sightlines, or see the Fixed Frame Direct Set offering.

Integrated Rolscreen® only available on sizes ≥ 21" wide and ≥ 34" tall, and ≤ 48" wide and ≤ 84" tall.



Impact-Resistant laminated glazing with higher design pressure ratings available. Performance for wood exterior units may vary from what is shown.

### Egress Notes:

- E = Window meets minimum clear opening of 24" height, 20" width, and 5.7 sq. ft.
- E1 = Window meets minimum clear opening of 24" height, 20" width, and 5.0 sq. ft.

Check all applicable local codes for emergency egress requirements.

Not to scale.

Traditional grille patterns shown.





Pella®  
Reserve™  
Traditional

Precision-Fit  
Double-Hung



**Air, Water,  
& Structural  
Performance**

Performance Class & Grade Rating	Water Penetration Resistance	Air Infiltration	Design Pressure	Forced Entry
H-CW40 – CW50	6.0 – 6.9 psf	0.11	40 – 50 psf	10

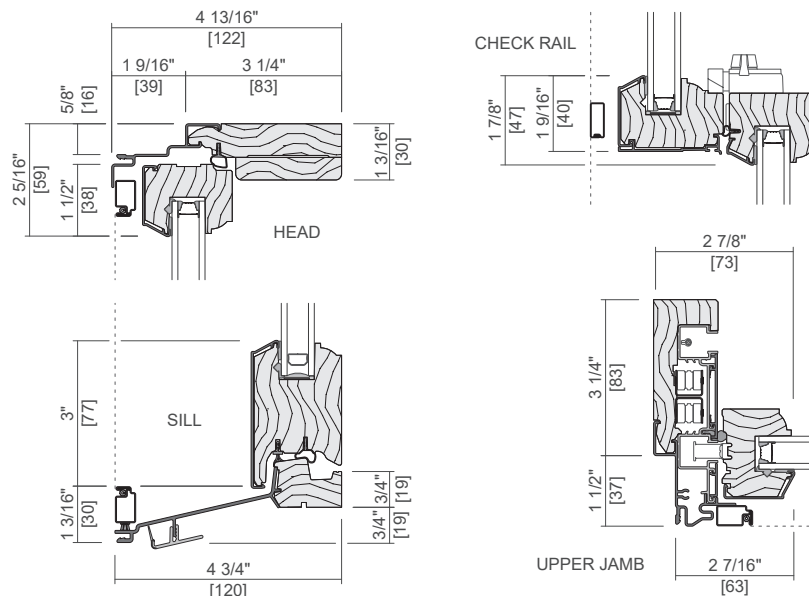
**Thermal  
Performance**  
**Clad Vent  
Units**

1 1/16" glass  
thickness, 2.5 and  
3mm, Dual-Pane

Type of Glazing (Argon fill)	U-Factor	SHGC	VLT %	CR	Energy Star® Capable
Advanced Low-E IG	0.29 – 0.34	0.26 – 0.29	0.47 – 0.54	54 – 59	—
SunDefense™ Low-E IG	0.29 – 0.33	0.19 – 0.21	0.43 – 0.50	55 – 59	S
SunDefense+ Low-E IG	0.25 – 0.29	0.19 – 0.21	0.43 – 0.48	43 – 48	NC, SC, S
AdvancedComfort Low-E IG	0.25 – 0.26	0.25 – 0.28	0.46 – 0.52	43 – 48	NC
NaturalSun Low-E IG	0.30 – 0.34	0.47 – 0.53	0.53 – 0.60	53 – 61	—
NaturalSun+ Low-E IG	0.26 – 0.29	0.42 – 0.49	0.52 – 0.59	42 – 47	CA, N

**Code Approvals:** Hallmark Certified, **FPAS#:** Vent=FL 14343; Fixed= FL 14129 **TDI#:** Vent=WIN-1089; Fixed= WIN-1392

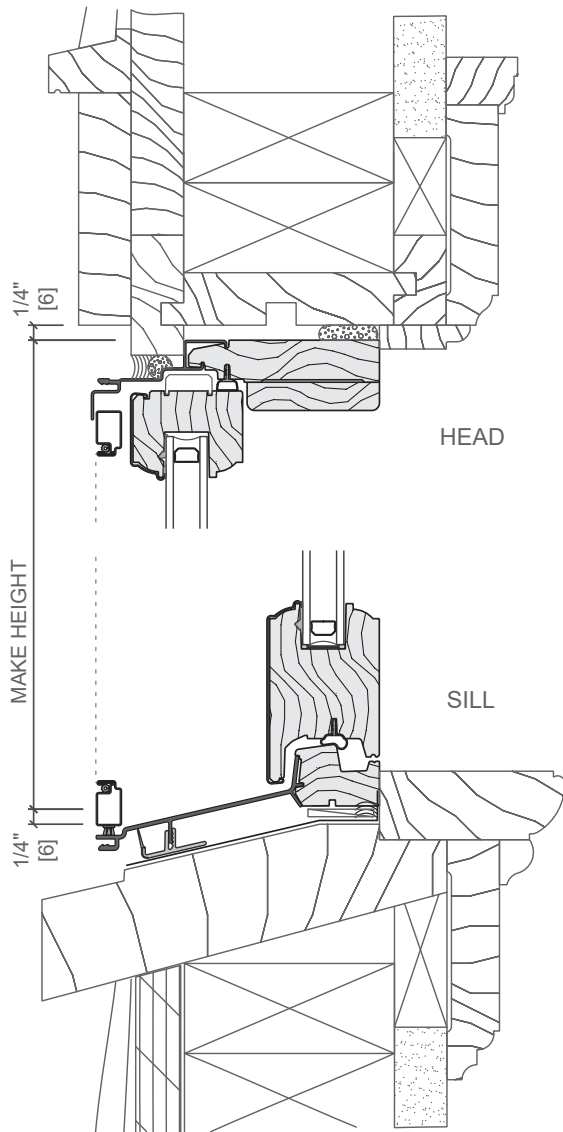
See the Performance section to learn more about performance standards and ratings. Performance varies based on actual product attributes.



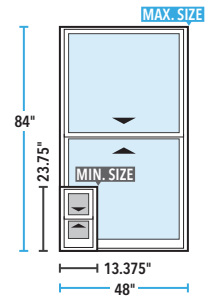
Not to scale. All dimensions are approximate.

## Make Sizes

Sizes are available in 1/4" increments.



### Vent-Equal

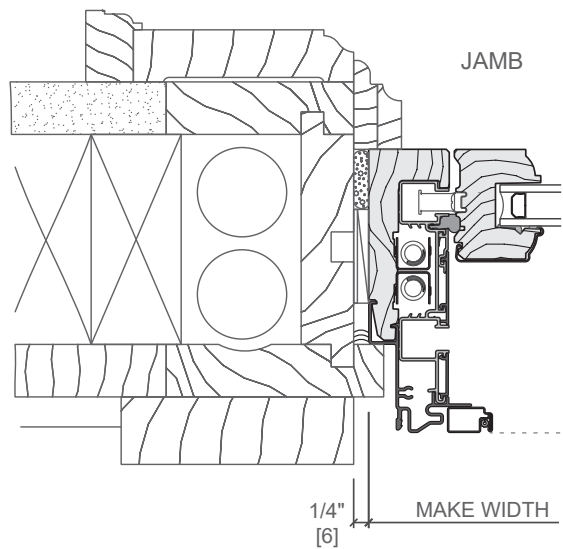


Cottage and custom sash splits also available.

Cottage Sash windows must be between  $\geq 40\text{-}1/2"$  and  $\leq 71\text{-}1/2"$  make height.

Consult with your local Pella sales representative or see the online ADM for egress information.

Check all applicable local codes for emergency egress requirements.



Make Width = Opening width - 1/2" (rounded to the nearest 1/4")

Make Height = Opening height - 1/2" (rounded to the nearest 1/4")

#### NOTE:

Wall construction and old Double-Hung frame shown are existing; old Double-Hung sash has been removed.

Refer to the appropriate Pella installation instruction for complete step-by-step instructions.

Shim and plumb units as required.

Seal unit to exterior / blind stop.

Seal the unit to existing stool and window sill.

Level units as required.

Insulate all voids at window perimeter (by others).

Seal unit to exterior / blind stop.

Precision-Fit windows are intended for pocket installation into an existing old window frame still in place. The existing sashes of the old double- or single-hung window are removed by cutting the balance chords and removing the interior stop and parting stops. The new window is placed against the exterior stop from the interior. The interior stops can then be re-installed.

See installation instructions for details

For masonry installation, see the standard Double-Hung product section.





Pella®  
Reserve™  
Traditional

Monumental  
Hung



Photograph(s):  
© Jason Risner  
Photography

**Air, Water,  
& Structural  
Performance**

Performance Class & Grade Rating	Water Penetration Resistance	Air Infiltration	Design Pressure	Forced Entry
H-LC25 – CW50	3.76 – 7.52 psf	0.11	25 – 50 psf	10

**Thermal  
Performance**  
**Clad Vent  
Units**

13/16" glass  
thickness, 3mm,  
Dual-Pane  
Triple-Pane also  
available.

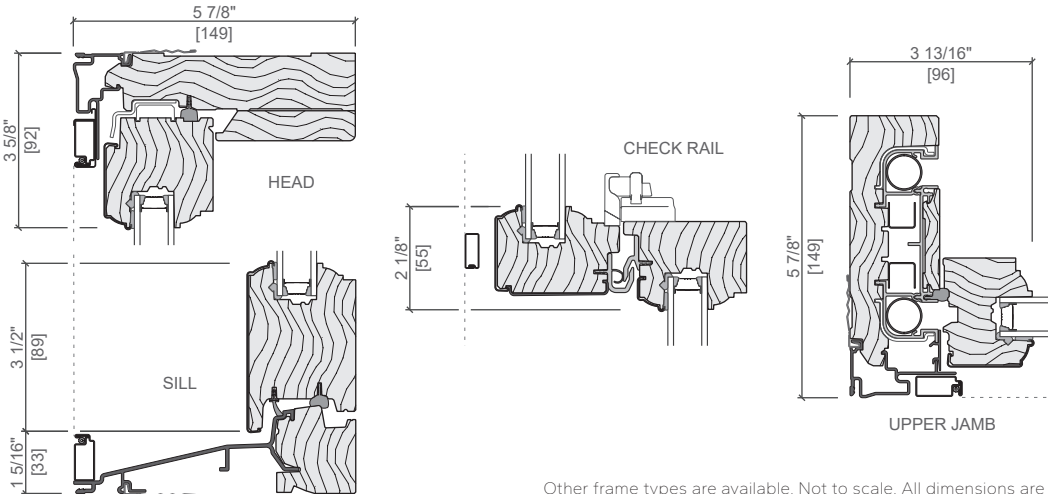
Type of Glazing (Argon fill)	U-Factor	SHGC	VLT %	CR	Energy Star® Capable
Advanced Low-E IG	0.28 – 0.32	0.23 – 0.26	0.42 – 0.48	56 – 59	SC, S
SunDefense™ Low-E IG	0.28 – 0.32	0.17 – 0.19	0.39 – 0.44	56 – 60	SC, S
SunDefense+ Low-E IG	0.24 – 0.27	0.17 – 0.19	0.38 – 0.43	45 – 49	NC, SC, S
AdvancedComfort Low-E IG	0.25 – 0.28	0.22 – 0.25	0.41 – 0.47	44 – 48	SC, S
NaturalSun Low-E IG	0.29 – 0.33	0.42 – 0.47	0.48 – 0.54	55 – 59	–
NaturalSun+ Low-E IG	0.25 – 0.28	0.38 – 0.43	0.47 – 0.53	38 – 47	N, NC

**Sound  
Performance**

Frame Size Tested	Type of Glazing	Without Grilles		
		STC	OITC	
Vent; 48" x 60"	13/16" Overall thickness	3mm / 3mm glass	29	24
		5mm / 3mm glass	32	27
		3mm / 7.6mm PVB glass	33	29
		3mm / 6mm Laminated glass	33	28
		1-1/16" Overall	2.5mm / 3mm / 2.5mm glass	29

**Code Approvals:** Hallmark Certified, **FPAS#:** ≤ 54" x 96"=FL 17769

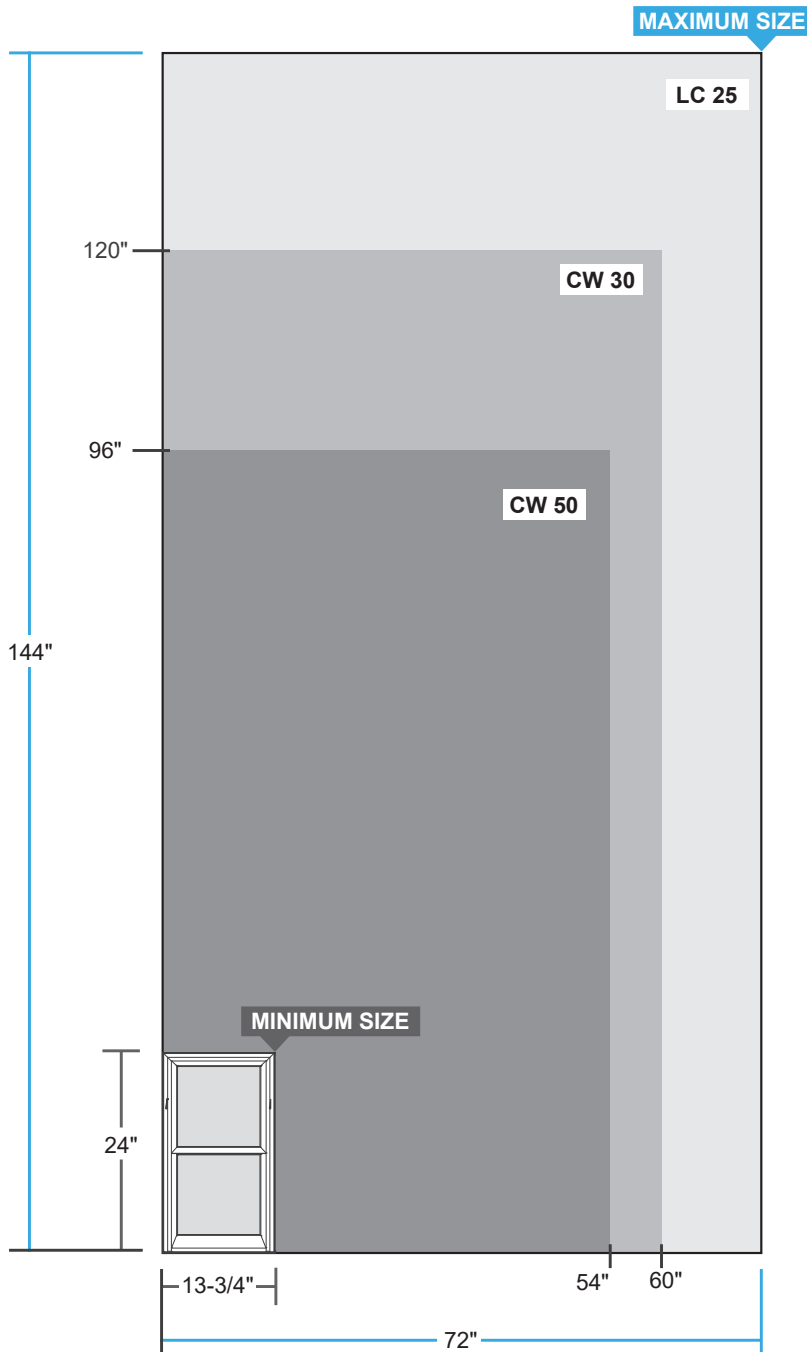
See the Performance section to learn more about performance standards and ratings. Performance varies based on actual product attributes.



Other frame types are available. Not to scale. All dimensions are approximate.

## Available Sizes

Sizes are available in 1/8" increments.

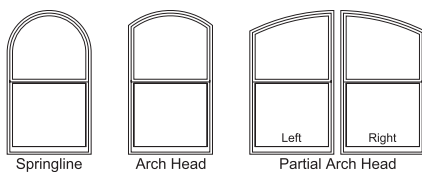


Cottage and custom sash split also available. Specify checkrail height when ordering.

Transoms and Companion fixed windows available for combinations. See Casement window offering for matching glass sightlines, or see the Fixed Frame Direct Set offering.

Impact-Resistant laminated glazing with higher design pressure ratings available.

Performance for wood exterior units may vary from what is shown.



Pella Reserve single-hung windows are available in custom shapes. For specifications, size limitations, and details on these units, contact your local Pella sales representative.

Maximum performance when glazed with the appropriate glass.

See online ADM documentation or consult with your local Pella sales representative for all glazing and size restrictions that may affect clear opening (egress).

Use the QR code for quick access to complete product information or visit [www.Pella.com](http://www.Pella.com).





Pella®  
Reserve™  
Traditional

In-Swing  
Door



**Air, Water,  
& Structural  
Performance**

Door Height	Performance Class & Grade Rating	Water Penetration Resistance	Air Infiltration	Design Pressure	Forced Entry
≤ 8'	LC55	8.36 psf	0.15	55 psf	Complies with AAMA 1304
> 8'	LC40	7.52 psf	0.15	40 psf	

**Thermal  
Performance**

**Clad Vent  
Units**

13/16" glass thickness, 3mm, Dual-Pane Triple-Pane also available.

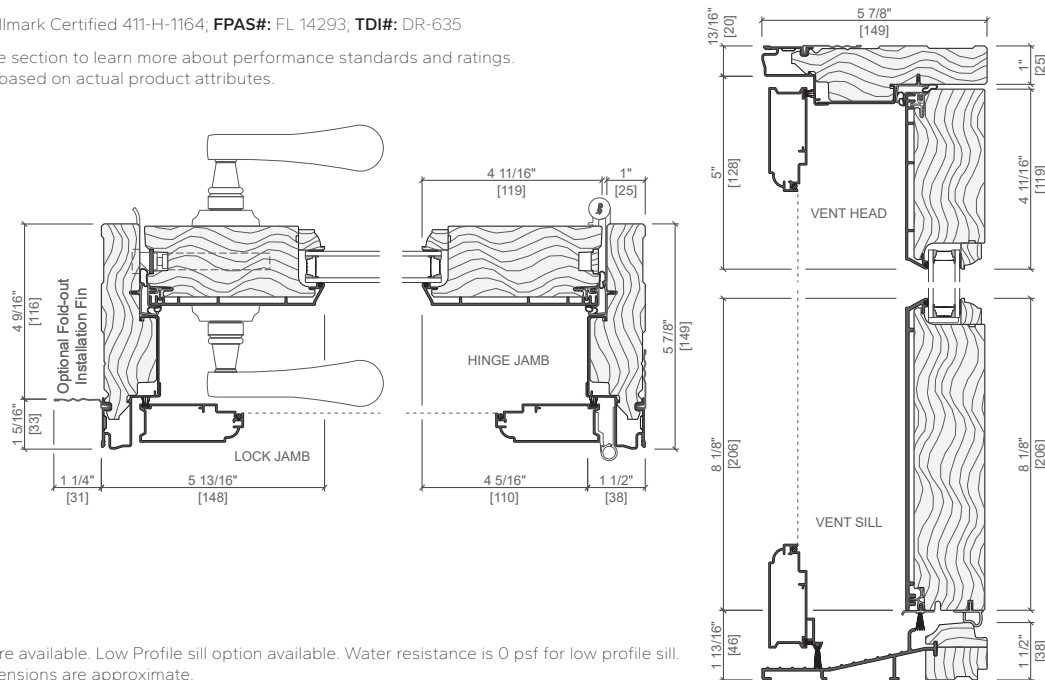
Type of Glazing (Argon fill)	U-Factor	SHGC	VLT %	CR	Energy Star® Capable
Advanced Low-E IG	0.27 – 0.31	0.18 – 0.21	0.33 – 0.39	58 – 61	SC, S
SunDefense™ Low-E IG	0.27 – 0.30	0.14 – 0.16	0.31 – 0.36	58 – 61	SC, S
SunDefense+ Low-E IG	0.24 – 0.27	0.14 – 0.16	0.30 – 0.35	45 – 48	N, NC, SC, S
AdvancedComfort Low-E IG	0.24 – 0.27	0.18 – 0.21	0.33 – 0.38	45 – 48	N, NC, SC, S
NaturalSun Low-E IG	0.28 – 0.31	0.34 – 0.39	0.38 – 0.44	57 – 60	—
NaturalSun+ Low-E IG	0.25 – 0.27	0.31 – 0.36	0.37 – 0.43	44 – 47	N, NC

**Sound  
Performance**

Frame Size Tested	Type of Glazing		Without Grilles	
			STC	OITC
71-1/4" x 81-1/2"	13/16" Overall thickness	3mm / 3mm glass	31	25

**Code Approvals:** Hallmark Certified 411-H-1164; **FPAS#:** FL 14293; **TDI#:** DR-635

See the Performance section to learn more about performance standards and ratings. Performance varies based on actual product attributes.

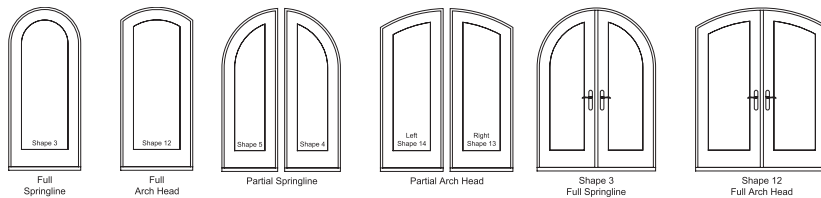


Other frame types are available. Low Profile sill option available. Water resistance is 0 psf for low profile sill. Not to scale. All dimensions are approximate.

## Standard Sizes

	(476) (457)	(664) (645)	(781) (762)	(870) (851)	(933) (914)	(981) (962)
Opening	1' 6 3/4"	2' 2 1/8"	2' 6 3/4"	2' 10 1/4"	3' 0 3/4"	3' 2 5/8"
Frame	1' 6"	2' 1 3/8"	2' 6"	2' 9 1/2"	3' 0"	3' 1 7/8"
(2 032) (2 019)	6' 8"					
(2 063) (2 070)	6' 7 1/2"					
(2 197) (2 184)	6' 10"					
(2 438) (2 426)	6' 9 1/2"					
(3 048) (3 035)	7' 2 1/2"					
	7' 2"					
	8' 0"					
	7' 11 1/2"					
	10' 0"					
	9' 11 1/2"					
	SIDELIGHT 1880	LEFT 2680	LEFT 3080	LEFT 3480	LEFT 3680	LEFT 3880
	SIDELIGHT 1882	LEFT 2682	LEFT 3082	LEFT 3482	LEFT 3682	LEFT 3882
	SIDELIGHT 1886	LEFT 2686	LEFT 3086	LEFT 3486	LEFT 3686	LEFT 3886
	SIDELIGHT 1896	LEFT 2696	LEFT 3096	LEFT 3496	LEFT 3696	LEFT 3896
		LEFT 26120	LEFT 30120	LEFT 34120	LEFT 36120	LEFT 38120

Pella Reserve In-Swing French doors are available in the additional shapes shown below, as well as custom shapes. For specifications, size limitations, and details on these units, contact your local Pella sales representative.



Not to scale.

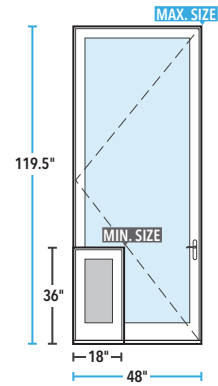
Traditional grille patterns shown.

Left-hand doors shown, right-hand and fixed also available.

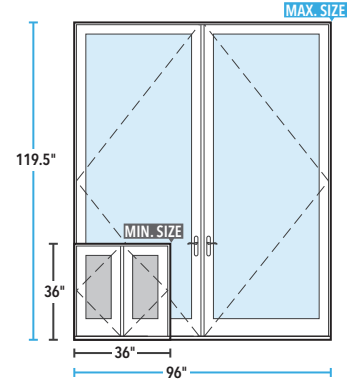
## Special Sizes

Special sizes are available in 1/8" increments.

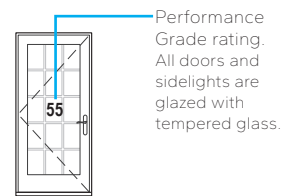
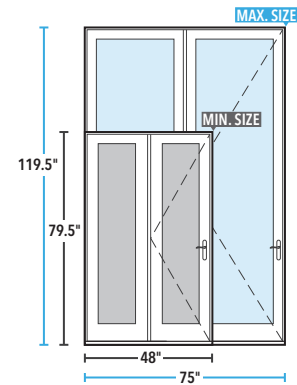
### Single Door (L/R)



### Double-Door (AP/PA)



### Double-Door (AF/FA)



Performance Grade rating. All doors and sidelights are glazed with tempered glass.

Frame size call-out

Impact-Resistant laminated glazing with higher design pressure ratings available.

Performance for wood exterior units may vary from what is shown.

Fixed Casement Transoms with wide stiles for matching glass sightlines and companion fixed frame direct set windows available for transom combinations. See the online ADM or consult your local Pella sales representative for details.







Pella®  
Reserve™  
Traditional

Out-Swing  
Door



**Air, Water,  
& Structural  
Performance**

Door Height	Performance Class & Grade Rating	Water Penetration Resistance	Air Infiltration	Design Pressure	Forced Entry
≤ 8'	LC70	10.66 psf	0.15	70 psf	Complies with AAMA 1304
> 8'	LC50	7.52 psf	0.15	50 psf	

**Thermal  
Performance**

**Clad Vent  
Units**

13/16" glass thickness, 3mm, Dual-Pane

Triple-Pane also available.

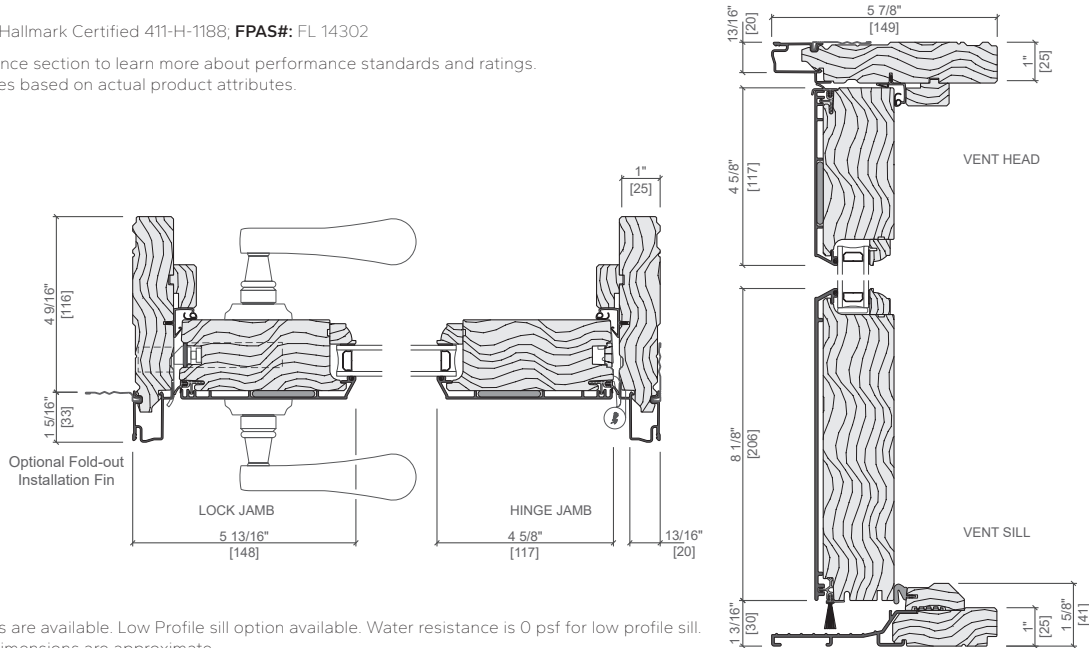
Type of Glazing (Argon fill)	U-Factor	SHGC	VLT %	CR	Energy Star® Capable
Advanced Low-E IG	0.28 – 0.31	0.19 – 0.22	0.33 – 0.39	57 – 61	SC, S
SunDefense™ Low-E IG	0.27 – 0.30	0.14 – 0.16	0.31 – 0.36	58 – 61	SC, S
SunDefense+ Low-E IG	0.24 – 0.27	0.14 – 0.16	0.30 – 0.35	45 – 48	N, NC, SC, S
AdvancedComfort Low-E IG	0.24 – 0.27	0.18 – 0.21	0.33 – 0.38	45 – 48	N, NC, SC, S
NaturalSun Low-E IG	0.28 – 0.31	0.34 – 0.39	0.38 – 0.44	57 – 60	—
NaturalSun+ Low-E IG	0.25 – 0.28	0.31 – 0.36	0.37 – 0.43	44 – 47	N, NC

**Sound  
Performance**

Frame Size Tested	Type of Glazing	Without Grilles	
		STC	OITC
71-1/4" x 81-1/2"	13/16" Overall thickness 3mm / 3mm glass	30	25

**Code Approvals:** Hallmark Certified 411-H-1188; **FPAS#:** FL 14302

See the Performance section to learn more about performance standards and ratings. Performance varies based on actual product attributes.



Other frame types are available. Low Profile sill option available. Water resistance is 0 psf for low profile sill. Not to scale. All dimensions are approximate.

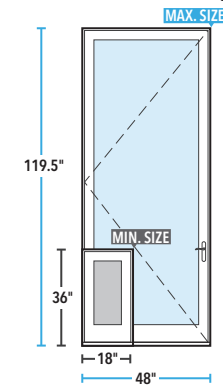
## Standard Sizes

	(476)	(664)	(781)	(870)	(933)	(981)
	(457)	(645)	(762)	(851)	(914)	(962)
Opening	1' 6 3/4"	2' 2 1/8"	2' 6 3/4"	2' 10 1/4"	3' 0 3/4"	3' 2 5/8"
Frame	1' 6"	2' 1 3/8"	2' 6"	2' 9 1/2"	3' 0"	3' 1 7/8"
(2 032) (2 019)						
	SIDELIGHT 1880	LEFT 2680	LEFT 3080	LEFT 3480	LEFT 3680	LEFT 3880
(2 083) (2 070)						
	SIDELIGHT 1882	LEFT 2682	LEFT 3082	LEFT 3482	LEFT 3682	LEFT 3882
(2 197) (2 184)						
	SIDELIGHT 1886	LEFT 2686	LEFT 3086	LEFT 3486	LEFT 3686	LEFT 3886
(2 438) (2 426)						
	SIDELIGHT 1896	LEFT 2696	LEFT 3096	LEFT 3496	LEFT 3696	LEFT 3896
(3 048) (3 035)						
	LEFT 26120	LEFT 30120	LEFT 34120	LEFT 36120	LEFT 38120	

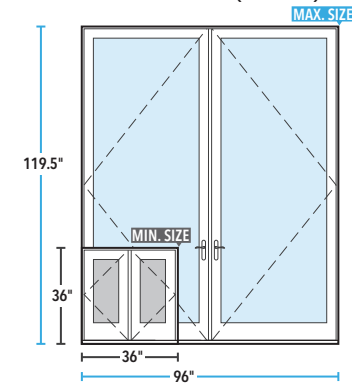
## Special Sizes

Special sizes are available in 1/8" increments.

### Single Door (L/R)



### Double-Door (AP/PA)



Performance Grade rating  
All doors and sidelights are  
glazed with tempered glass.

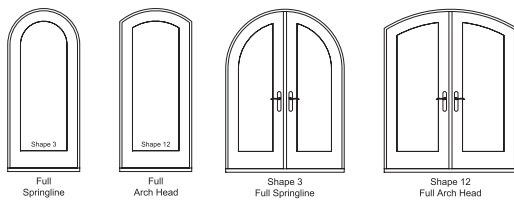
LEFT  
3886 — Frame size call-out

Impact-Resistant laminated glazing with higher design pressure ratings available.

Performance for wood exterior units may vary from what is shown.

Fixed Casement Transoms with wide stiles for matching glass sightlines and companion fixed frame direct set windows available for transom combinations. See the online ADM or consult your local Pella sales representative for details.

Pella Reserve Out-Swing French doors are available in the additional shapes shown below, as well as custom shapes. For specifications, size limitations, and details on these units, contact your local Pella sales representative.



Not to scale.

Traditional grille patterns shown.

Left-hand doors shown, right-hand and fixed also available.





Pella®  
Reserve™  
Traditional

Commercial  
Out-Swing  
Door

Photograph(s):  
© Coseta Photography,  
Inc.



**Thermal Performance**

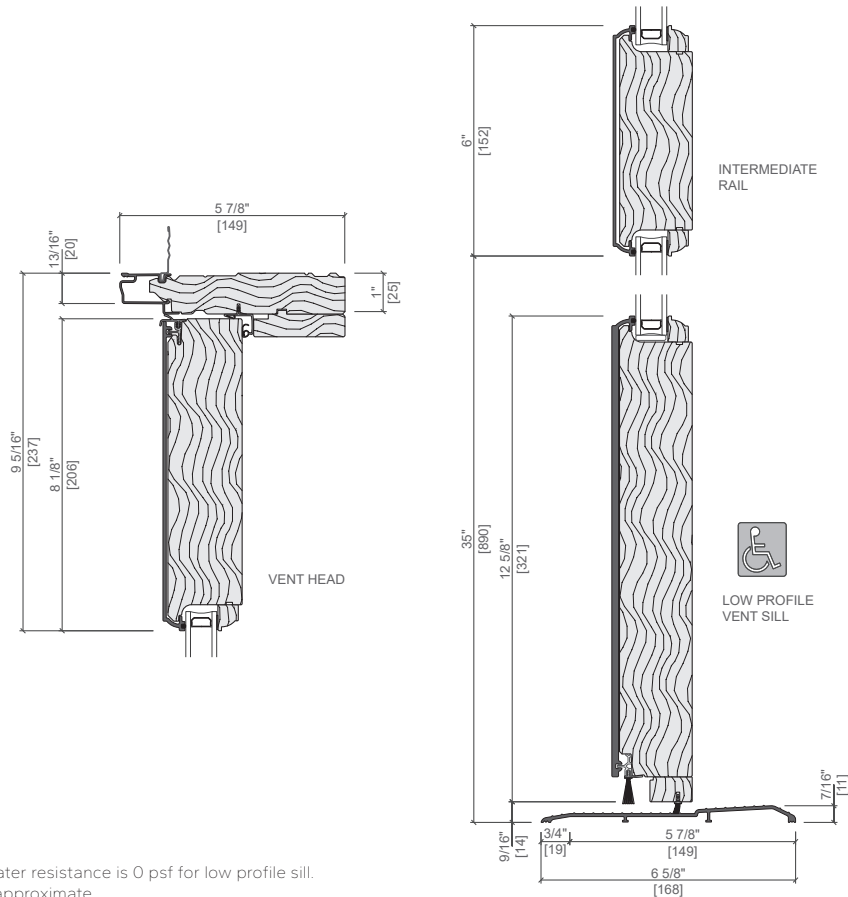
**Clad Vent Units**

13/16" glass thickness, 3mm, Dual-Pane;

Triple-Pane also available.

Type of Glazing (Argon fill)	U-Factor	SHGC	VLT %	CR	Energy Star® Capable
Advanced Low-E IG	0.29 – 0.31	0.15 – 0.18	0.26 – 0.31	58 - 61	—
SunDefense™ Low-E IG	0.29 – 0.32	0.12 – 0.14	0.24 – 0.29	58 - 62	—
AdvancedComfort Low-E IG	0.27 - 0.29	0.15 – 0.17	0.26 – 0.31	45 - 48	—
NaturalSun Low-E IG	0.30 – 0.33	0.27 – 0.32	0.30 – 0.36	57 - 60	—

See the Performance section earlier in this manual to learn more about performance standards and ratings. Performance varies based on actual product attributes. Validation is required. Contact your local Pella sales representative or Pella Architectural Solutions for details.



Other frame types are available.  
(\* ) Low Profile sill is standard. Water resistance is 0 psf for low profile sill.  
Not to scale. All dimensions are approximate.

## Standard Sizes

7' 2" and 8' 0" Vent and Fixed Units - Clad  
(Shown with Optional Intermediate Rail)

	(981) (962)	(981) (962)	(981) (962)	(540) (521)	(692) (673)	(845) (826)	(1 886) (1 867)
Opening	3' 2 5/8"	3' 2 5/8"	3' 2 5/8"	1' 9 1/4"	2' 3 1/4"	2' 9 1/4"	6' 2 1/4"
Frame	3' 1 7/8"	3' 1 7/8"	3' 1 7/8"	1' 8 1/2"	2' 2 1/2"	2' 8 1/2"	6' 1 1/2"
7' 2" (2 197) (2 184)							
	FIXED 3886	LEFT 3886	RIGHT 3886	SIDELIGHT 2186	SIDELIGHT 2786	SIDELIGHT 3386	ACTIVE-ACTIVE 7486
8' 0" (2 438) (2 426)							
	FIXED 3896	LEFT 3896	RIGHT 3896	SIDELIGHT 2196	SIDELIGHT 2796	SIDELIGHT 3396	ACTIVE-ACTIVE 7496

Not to scale.

CL = Distance from bottom of door to center line of intermediate rail is 38".

Masonry dimensions are with Pella's 1-7/8" brickmould.

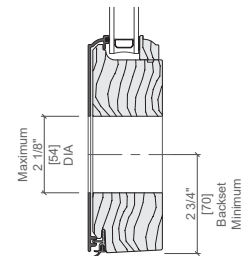
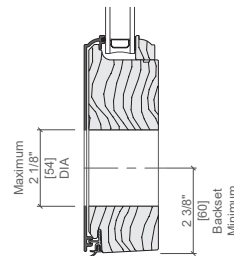
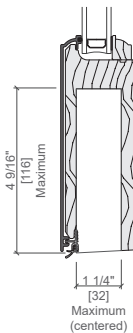
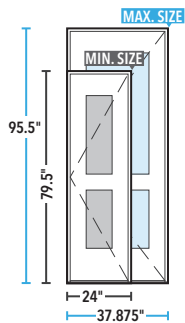
To determine masonry openings when using Pella's 3-1/2" brickmould, add an additional 3-1/4" to width and 1-5/8" to height.

All doors are glazed with 3mm tempered glass standard.

## Special Sizes

Special sizes are available in 1/8" increments.

Sizes larger or smaller than shown here require validation.



Pella Reserve Commercial Out-Swing Doors are not supplied with locking hardware, closers, panic hardware, push plates or kick plates. Use the following guidelines when selecting these hardware items from your hardware supplier.

**Mortise Locks:** Maximum mortise rout dimensions are shown above for commercial doors with standard stile dimensions. Maximum height of the mortise rout is 10 inches. Routs should be sealed before the locks are installed for added moisture protection.

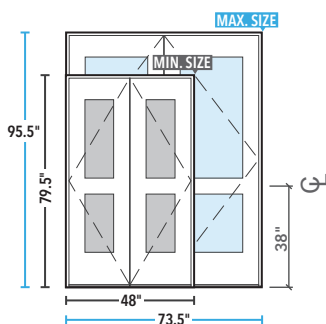
**Cylinder Locks:** Maximum diameter of cylinder lock bore is 2-1/8". Minimum backset is 2-3/8"; maximum backset is 2-3/4".

**Door Closers:** Pella recommends surface mounted door closers anchored into a structural header or minimum 1.5" Pella wood spread mullion. Concealed closers that are routed into the top of the door panel are not recommended.

**Exit Devices:** Concealed vertical rod hardware is not recommended. Use surface mounted vertical rod hardware.

**Kick Plates and Push Plates:** In commercial applications, Pella recommends the use of kick plates and push plates to protect the wood veneer.

**Hinges:** Durable ball bearing hinges standard, optional adjustable hinges for ease of installation.





Pella®  
Reserve™  
Traditional  
Sliding Door



**Air, Water, & Structural Performance**

Performance Class & Grade Rating	Water Penetration Resistance	Air Infiltration	Design Pressure	Forced Entry
R20 – LC50	3.13 - 7.52 psf	0.30	20 – 50	40

**Thermal Performance**  
**Clad Vent Units**

13/16" glass thickness; 3mm, Dual-Pane

Triple-Pane also available.

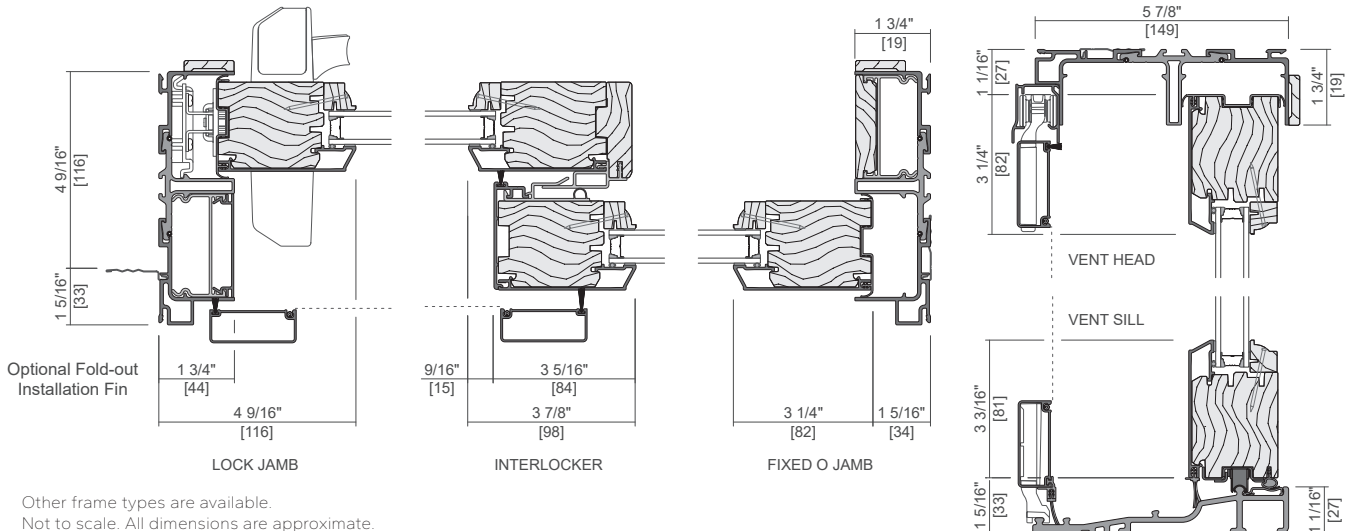
Type of Glazing (Argon fill)	U-Factor	SHGC	VLT %	CR	Energy Star® Capable
Advanced Low-E IG	0.30	0.25 - 0.28	0.45 - 0.52	55	-
SunDefense™ Low-E IG	0.30	0.18 - 0.21	0.42 - 0.48	55	-
SunDefense+ Low-E IG	0.26	0.18 - 0.20	0.41 - 0.47	45	N, NC, SC, S
AdvancedComfort Low-E IG	0.26	0.24 - 0.27	0.44 - 0.51	45	N, NC
NaturalSun Low-E IG	0.31	0.45 - 0.51	0.51 - 0.59	54	-
NaturalSun+ Low-E IG	0.27	0.41 - 0.47	0.50 - 0.57	44	-

**Sound Performance**

Frame Size Tested	Type of Glazing		Without Grilles	
			STC	OITC
71.9" x 79.7" (Fixed-Vent)	3/4" Overall Thickness	3mm / 3mm glass	28	24
		4mm / 6mm glass	31	27
	7/8" Overall Thickness	5mm / 7.6mm PVB glass	33	29
		1-3/8" Overall Thickness	4mm / 4mm / 4mm	30

Code Approvals: 411-H-1520; FPAS#: FL47325

See the Performance section earlier in this manual to learn more about performance standards and ratings. Performance varies based on actual product attributes.



Other frame types are available.  
Not to scale. All dimensions are approximate.

# Standard Sizes

## 6' 8" Two-Panel Fixed-Vent

Opening	5' 0" (1 524)	6' 0" (1 829)	7' 0" (2 134)	8' 0" (2 438)	10' 0" (3 048)
Frame	4' 11 1/4" (1 505)	5' 11 1/4" (1 810)	6' 11 1/4" (2 115)	7' 11 1/4" (2 419)	9' 11 1/4" (3 029)
6' 8" (2 032) 6' 7 1/2" (2 019)	2 Panel (OX) 6080	2 Panel (OX) 7280	2 Panel (OX) 8480	2 Panel (OX) 9680	2 Panel (OX) 12080
6' 10" (2 083) 6' 9 1/2" (2 070)	2 Panel (OX) 6082	2 Panel (OX) 7282	2 Panel (OX) 8482	2 Panel (OX) 9682	2 Panel (OX) 12082
8' 0" (2 438) 7' 11 1/2" (2 426)	2 Panel (OX) 6096	2 Panel (OX) 7296	2 Panel (OX) 8496	2 Panel (OX) 9696	2 Panel (OX) 12096
9' 0" (2 743) 8' 11 1/2" (2 731)	2 Panel (OX) 60108	2 Panel (OX) 72108	2 Panel (OX) 84108	2 Panel (OX) 96108	2 Panel (OX) 120108
10' 0" (3 048) 9' 11 1/2" (3 035)	2 Panel (OX) 60120	2 Panel (OX) 72120	2 Panel (OX) 84120	2 Panel (OX) 96120	2 Panel (OX) 120120

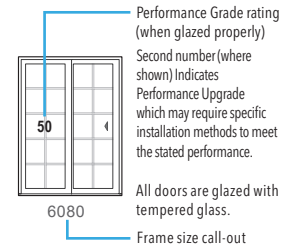
Two panel doors—Fixed-Vent (OX), right panel opens, left panel is fixed. Units open in the direction of the arrow as viewed from the exterior.

Vent-Fixed (XO) doors are also available.

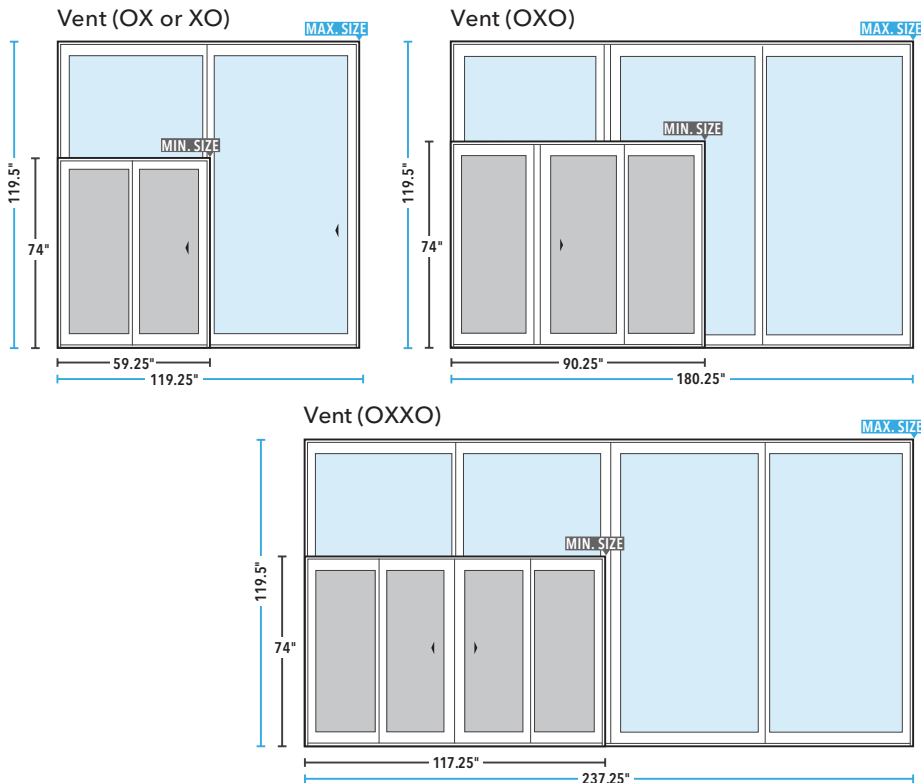
Three-Panel (OXO), and-Four Panel (OXXO) are also available in standard sizes, matching the standard heights shown in this size table.

Contact your local Pella sales representative for details and restrictions of knock down frames.

Fixed Casement Transoms with wide stiles for matching glass sightlines and companion fixed frame direct set windows available for transom combinations. See the online ADM or consult your local Pella sales representative for details.



## Special Sizes



Special Sizes in are available in 1/4" increments

View Pella documentation online for additional size and performance information.

Use the QR code below for quick access or visit [www.Pella.com](http://www.Pella.com)





Pella®  
Reserve™  
Traditional

Multi-Panel  
Doors



## Bifold Doors

### Out-Swing Standard Sill

#### Air, Water, & Structural Performance

Performance Class & Grade Rating	Water Penetration Resistance	Air Infiltration	Design Pressure	Forced Entry
R15 - LC25	2.92 – 3.76 psf	0.15	15 – 25 psf	Complies with AAMA 1304



0L-4R



0L-3R

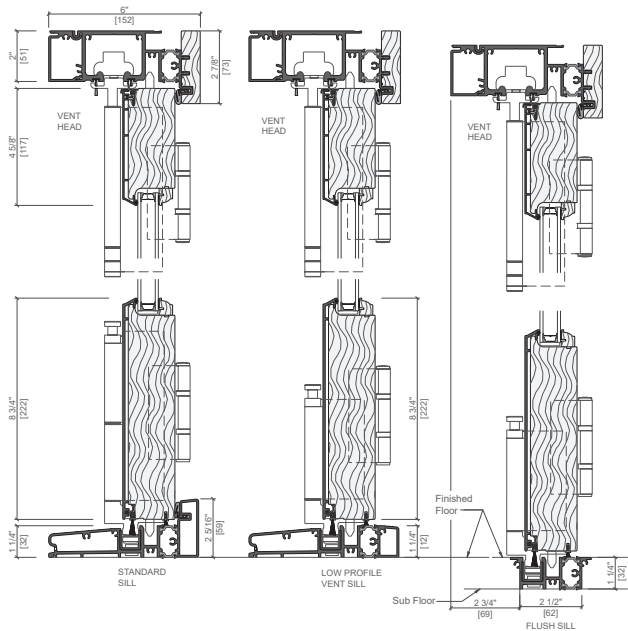


2L-2R



3L-1R

See online ADM for specific sizes by configuration and all available options.



### Size Dimensions (Out-Swing Bifold Doors)

Number of Panels	Frame Width (Inches)							
	One-Way (No-Passage-Door)		One-Way (Passage-Door)		Split (No-Passage-Door)		Split (Passage-Door)	
	Min	Max	Min	Max	Min	Max	Min	Max
2	32.125	87.5	—	—	—	—	—	—
3	—	—	46.625	129.75	—	—	47.375	130.5
4	61	171.875	—	—	61.25	172.125	61.875	172.75
5	—	—	75.5	214.125	—	—	76.25	214.875
6	89.875	256.25	—	—	90.125	256.5	90.75	257.125
7	—	—	104.375	298.5	—	—	105.125	299.25
8	118.75	340.625	—	—	119	340.875	119.625	341.5
9	—	—	133.25	382.875	—	—	134	383.625
10	147.625	425	—	—	147.875	425.25	148.5	425.875

View online documents for unit height details.

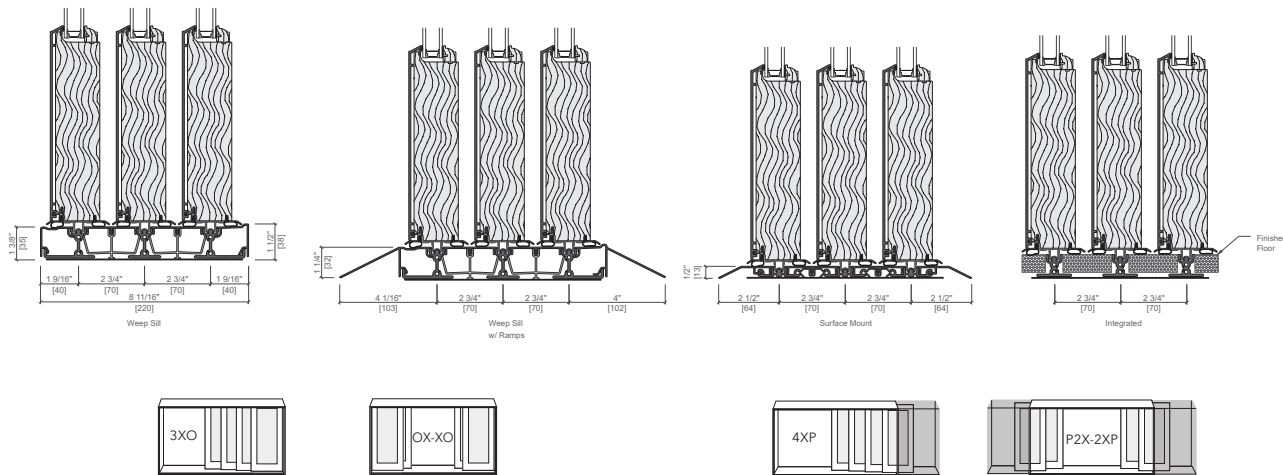
Minimum to maximum door width dimensions refers to frame to frame dimension. Values represent minimum and maximum values without consideration of panel configuration. Consult design data for specific values for your venting configuration.

Contact your local Pella sales representative for the most current options and configurations available.





## Multi-slide Doors



### Stacking Panel Configurations

Number of Panels	Frame Width (Inches)			
	One-Way		Bi-Part	
	Min	Max	Min	Max
1	—	—	—	—
2	40.375	120.25	—	—
3	56.5	176.25	—	—
4	72.375	232.25	78.25	238.125
5	88.5	288.375	—	—
6	104.5	344.375	110.375	350.25
7	120.5	400.375	—	—
8	136.5	456.375	142.375	462.25
9	—	—	—	—
10	—	—	174.5	574.375

View online documents for unit height details.

### Pocketing Panel Configurations

Number of Panels	Frame Width (Inches)			
	1 Pocket / One-Way		2 Pocket / Bi-Part	
	Min	Max	Min	Max
1	48.875	128.75	—	—
2	64	183.875	95.25	255.125
3	80	239.875	—	—
4	96	295.875	125.5	365.375
5	112.125	352	—	—
6	128.125	408	157.625	477.5
7	144.125	464	—	—
8	160.25	520	189.75	589.5
9	—	—	—	—
10	—	—	221.75	701.625

View online documents for unit height details.

X = Venting, O = Fixed. Custom sized panels in 1/8" increments. Doors are viewed from the exterior. Minimum to maximum door width dimensions refers to frame to frame dimension. Values represent minimum and maximum values without consideration of panel configuration. Consult design data for specific values for your venting configuration.

Contact your local Pella sales representative for the most current options and configurations available.

