



Pella® 250 Series

Vinyl Windows and Patio Doors



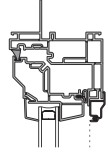
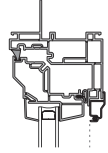
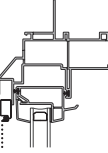
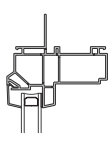
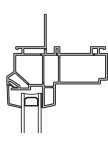
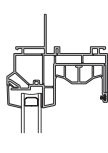
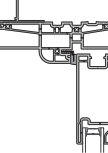
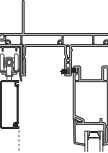
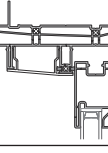
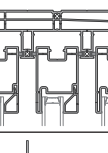
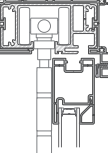
Pella 250 Series products offer innovative and enhanced security and privacy features for more peace of mind. Made with high-quality, easy-care vinyl, these windows and patio doors deliver exceptional energy performance and Pella craftsmanship.

- A** Multi-chambered, fully welded frame and sash are 52% stronger than ordinary vinyl (based on the force required to bend a window frame profile). Enhanced security and privacy features such as the patent-pending integrated flush footbolt on Pella 250 Series Classic Sliding Patio Doors, auto-locking hardware, and blinds-between-the-glass give your customers more peace of mind.
- B** Double- and single-hung windows are designed with our unique tamper prevention system, which includes an interlocking checkrail, steel hardware reinforcement, and unique anti-jar sill.
- C** Pella's dual color exterior finishes exceed AAMA 307 test requirements. Pella's vinyl laminate is 2.6x more durable than painted vinyl.*
- D** Optional triple-pane glass and foam insulation increase energy performance. Pella 250 Series offers options that meet or exceed ENERGY STAR® in all 50 states.**
 - Products are tested in state-of-the-art facilities.
 - Optional foam insulation increases energy performance.



*The abrasion resistance of Pella painted and laminate vinyl samples were tested and coatings compared in their ability to withstand a volume of abrasive materials using test method of ASTM D968.

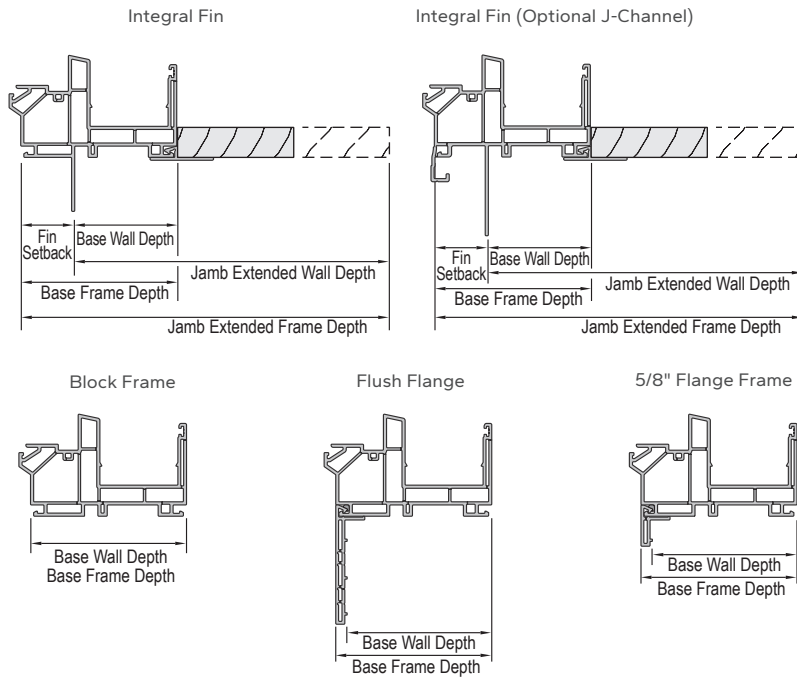
**Some Pella products may not meet ENERGY STAR® guidelines in Canada. For more information, contact your local Pella sales representative or go to energystar.gc.ca.

	Cross section	Frame / install	Wall Depth Range	Performance Range
Awning		Block Frame Integral Fin Fin with J-Channel Flush Flange 5/8" Flange frame	Base Frame Depth: 3-1/4" Std. Fin Setback: 1-1/8" Base Wall Depth: 2-1/8" Jamb extended wall depth: 4-9/16" - 6-9/16"	R15 – LC50 U: 0.20 - 0.30 SHGC: 0.17 - 0.43 STC: up to 34
Casement		Block Frame Integral Fin Fin with J-Channel Flush Flange 5/8" Flange frame	Base Frame Depth: 3-1/4" Std. Fin Setback: 1-1/8" Base Wall Depth: 2-1/8" Jamb extended wall depth: 4-9/16" - 6-9/16"	R15 – LC50 U: 0.19 - 0.31 SHGC: 0.17 - 0.53 STC: up to 34
Double-Hung Vent		Block Frame Integral Fin Fin with J-Channel Flush Flange 5/8" Flange frame	Base Frame Depth: 3-1/4" Std. Fin Setback: 1-1/8" Base Wall Depth: 2-1/8" Jamb extended wall depth: 4-9/16" – 6-9/16"	R15 – R50 U: 0.21 – 0.33 SHGC: 0.18 – 0.49 STC: up to 28
Fixed Frame Direct Set		Block Frame Integral Fin Fin with J-Channel Flush Flange 5/8" Flange frame	Base Frame Depth: 3-1/4" Std. Fin Setback: 1-1/8" Base Wall Depth: 2-1/8" Jamb extended wall depth: 4-9/16" – 6-9/16"	R15 – CW50 U: 0.19 – 0.33 SHGC: 0.21 – 0.58 STC: up to 27
Single-Hung		Block Frame Integral Fin Fin with J-Channel Flush Flange 5/8" Flange frame	Base Frame Depth: 3-1/4" Std. Fin Setback: 1-1/8" Base Wall Depth: 2-1/8" Jamb extended wall depth: 4-9/16" – 6-9/16"	R15 – R50 U: 0.21 – 0.32 SHGC: 0.19 – 0.51 STC: up to 28
Sliding Window		Block Frame Integral Fin Fin with J-Channel Flush Flange 5/8" Flange frame	Base Frame Depth: 3-1/4" Std. Fin Setback: 1-1/8" Base Wall Depth: 2-1/8" Jamb extended wall depth: 4-9/16" – 6-9/16"	R15 – R50 U: 0.20 – 0.32 SHGC: 0.19 – 0.51 STC: up to 28
Hinged Patio Door		Block 1" Nail Fin Setback 1-3/8" Nail Fin Setback Flush Flange	Base Frame Depth: 5-1/4" Std. Fin Setback: 1" Base Wall Depth: 4-1/4"	LC25-LC30 U: 0.27 - 0.35 SHGC: 0.16 - 0.24 STC: up to 30
Classic Sliding Patio Door		Block Frame Integral Fin Fin with J-Channel Flush Flange 5/8" Flange frame	Base Frame Depth: 5" Std. Fin Setback: 1-1/8" Base Wall Depth: 3-7/8"	LC35 - LC50 U: 0.22 - 0.40 SHGC: 0.18 - 0.49 STC: up to 32
Standard/Premium Sliding Patio Door		Block 1" Nail Fin Setback 1-3/8" Nail Fin Setback Flush Flange	Base Frame Depth: 5-15/16" Std. Fin Setback: 1" Base Wall Depth: 4-15/16"	R20 - LC25 U: 0.18 - 0.28 SHGC: 0.18 - 0.28 STC: up to 28
Multislide Patio Door		Block 1" Nail Fin Setback 1-3/8" Nail Fin Setback Flush Flange	Frame and Wall Depth varies by number of Panels. Pocketing Doors are Block Frame only. Contact your local Pella sales representative or Pella Architectural Solutions for assistance and additional details.	LC25-LC30 U: 0.18 - 0.28 SHGC: 0.17 - 0.28 STC: up to 30
Bifold Products		Block 1" Nail Fin Setback 1-3/8" Nail Fin Setback Flush Flange	Base Frame Depth: 5-1/4" Std. Fin Setback: 1" Base Wall Depth: 4-1/4"	0 - LC30 U: 0.25 - 0.36 SHGC: 0.16 - 0.27 STC: up to 32

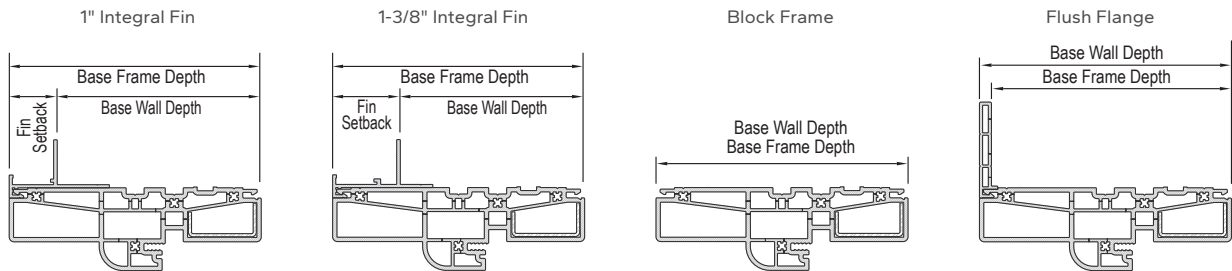
Performance ranges shown are for single-units and do not account for composite units (integral mullion) or combinations (multiple units mulled together). Drawings are not to scale. Not all frame types are available in all regions, please consult your Pella sales representative for details.

Brand Overview

Window Frame Dimensions



Door Frame Dimensions



Window and door frames shown are typical products only and may not apply to specialty windows, custom products or multi-panel patio doors.



For installation instructions visit <https://www.pella.com/professionals/installation-instructions/>

Use this Quick-Read (QR) code with your mobile device for quick access.

You may need to first install a QR code reading app. An Internet connection is required.

Hidden Screens

Meet our exclusive innovation, the Hidden Screen.

The easy-to-use Hidden Screen appears when you open a single-hung, double-hung or sliding window and folds away when the window is closed.

It is a screen like no other — providing easy and convenient access to fresh air and natural light without compromising your view.

Please consult your Pella sales representative for details and current availability.



Drawings are not to scale. Not all frame types are available in all regions, please consult your Pella sales representative for details.

Finishes

Low-maintenance, easy-care vinyl frames with full profile and edge detailing.

Available Dual Color options that meet AAMA 307 specifications.

Solid-Color Frames (Integral color interior/exterior)



White Almond Fossil Beige

Color-Matched Hardware Finishes



White Almond Fossil Beige

Dual-Color Frames (Exterior only with White interior)



Brown Black

Additional Hardware Finishes



Satin Nickel Black

Hardware

Standard hardware finishes match the interior color with a powder coated paint finish. Optional metal finishes include a coating to prevent oxidation or tarnishing.

Fold-Away Crank



Awning/Casement crank

Cam-Action Lock



Double-Hung, Single-Hung and Sliding Window (standard)

Autolock



Double-Hung, Single-Hung and Sliding Window (optional)

Integrated Sash Lift



Double- and Single-Hung (standard)

Classic Sliding Patio Doors



Classic Interior Handle

Classic Sliding Patio Door Between-the-Glass Fashions



Blind Colors:
White, Slate Gray,
Espresso

Available on classic sliding patio doors with dual-pane glazing only.

Available in standard and non-standard sizes.

Standard and Premium Sliding Patio Doors



White Black Beige Satin Nickel

Folding Window (Passage)



White Black Satin Nickel

Hinged Doors



White Black Satin Nickel

Not all hardware options shown.

(1) Finish of exterior hardware matches color of exterior door frame.

Grilles-Between-the-Glass¹

- Aluminum grilles are permanently sealed between panes of glass for an easy-to-clean smooth glass surface. Choose from three grille profiles.
- Grilles can match the frame or choose from available DuraColor® finish colors.
- Grilles are 5/8" or 3/4" wide.
- Multiple grille patterns are available.

3/4" Contour Grille



5/8" Flat Grille



	Traditional	6-Lite Prairie	9-Lite Prairie	Top Row	Custom Equally Divided
Awning/Casement					
Fixed					
Hung					
Sliding Window					
Classic Sliding Door					

(1) Available with double- or triple-pane insulated glass.

(2) Available with double-pane insulated glass only.

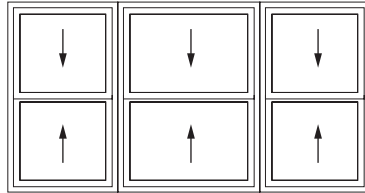
Combination Assemblies

A combination is an assembly formed by two or more separate windows or doors whose frames are mullioned together by a combination or reinforcing mullion. A composite is an assembly of windows inside a single, continuous frame.

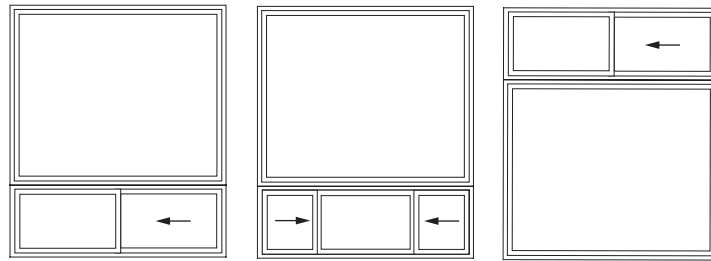
Pella 250 Series products are available in many common configurations. Refer to the Product Application section of this book, Pella.com/professionals or your local Pella sales representative for information on performance and availability.

Window Composite Examples

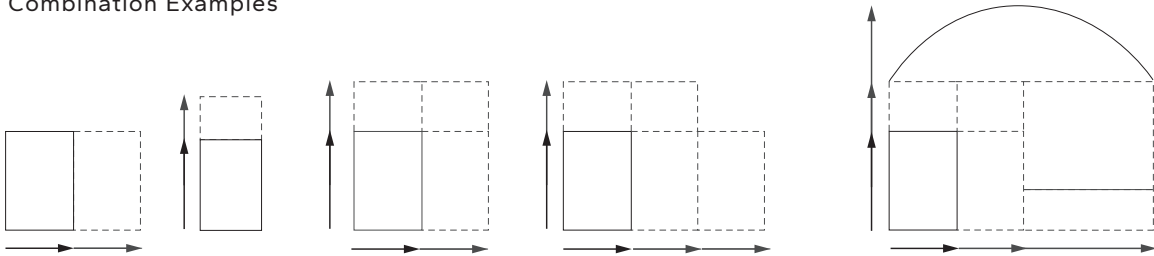
Single and Double Hung



Sliding Window



Window Combination Examples



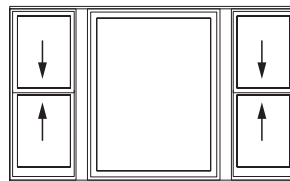
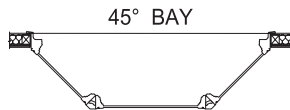
Factory or Site Assembled Combination Parameters

Mullion length limit: 108"

Mullioned product combinations cannot exceed 72 sq. ft.

Mullion reinforcing may be required.

Bay/Bow



Actual mullion span and combination size availability depends on design pressure requirements. Consider combination size, weight and jobsite handling during design.



Pella® 250 Series

Awning Window



Air, Water, & Structural Performance

Performance Class & Grade Rating	Water Penetration Resistance	Air Infiltration	Design Pressure	Forced Entry
R PG15 - LC PG50	5.43 - 7.5 psf	0.10 - 0.13	15 - 50 psf	10

Thermal Performance

Glass Thickness	Type of Glazing (Argon fill)	U-Factor	SHGC	VLT %	CR	EnergyStar® Capable
Dual-Pane - 3mm (3/4" overall glass thickness)	Advanced Low-E IG	0.26 - 0.27	0.23 - 0.25	0.42 - 0.46	59	SC, S
	NaturalSun Low-E IG	0.28	0.39 - 0.43	0.47 - 0.52	54 - 58	—
	NaturalSun+ Low-E IG	0.24	0.38 - 0.42	0.46 - 0.51	45 - 46	CA, N, NC
	SunDefense™ Low-E IG	0.26	0.17 - 0.18	0.39 - 0.43	59	SC, S
	SunDefense+ Low-E IG	0.24	0.17 - 0.18	0.38 - 0.42	46	NC, SC, S
Triple-Pane - 3mm (1" overall glass thickness)	Advanced Low-E IG	0.20 - 0.21	0.19 - 0.21	0.32 - 0.36	68	CA, N, NC, SC, S
	NaturalSun Low-E IG	0.21 - 0.22	0.34 - 0.38	0.42 - 0.46	68	CA, N, NC

Vent Units

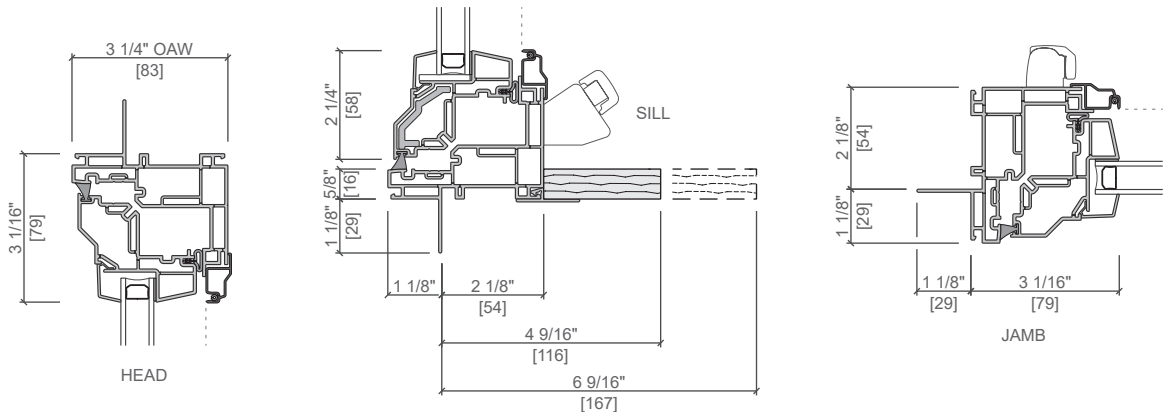
Includes optional foam

Sound Performance

Frame Size Tested	Type of Glazing	STC	OITC
Vent - 59" x 23-1/2"	Dual Pane 3/4"	30	25
Fixed - 59" x 47-1/4"	Overall Glazing Thickness	28	24
Vent - 59" x 23-1/2"	Triple Pane 1" Overall	34	28

Code Approvals: AAMA/WDMA Certified; **FPAS#** FL 26534; **TDI#** WIN-2358

Performance varies based on actual product attributes. See the Performance section earlier in this manual to learn more about performance standards and ratings.



Other frame types are available.

Not to scale. All dimensions are approximate.

Standard Sizes

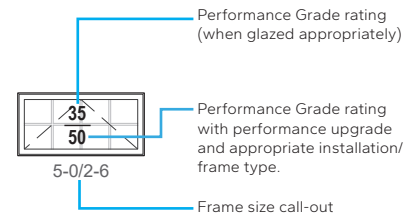
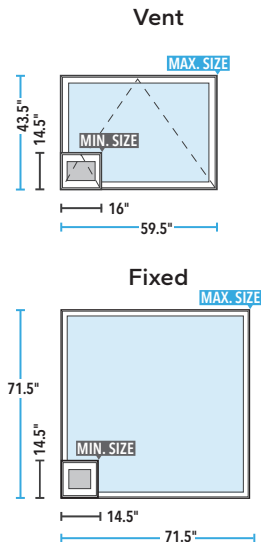
Vent Sizes

	(419) (406)	(457) (445)	(610) (597)	(711) (699)	(762) (749)	(813) (800)	(914) (902)	(1 219) (1 207)	(1 372) (1 359)	(1 524) (1 511)
Opening	1' 4 1/2"	1' 6"	2' 0"	2' 4"	2' 6"	2' 8"	3' 0"	4' 0"	4' 6"	5' 0"
Frame	16"	17 1/2"	23 1/2"	27 1/2"	29 1/2"	31 1/2"	35 1/2"	47 1/2"	53 1/2"	59 1/2"
(381) (368)	1-4/1-3	1-6/1-3	2-0/1-3	2-4/1-3	2-6/1-3	2-8/1-3	3-0/1-3	4-0/1-3	4-6/1-3	5-0/1-3
(457) (445)		1-6/1-6	2-0/1-6	2-4/1-6	2-6/1-6	2-8/1-6	3-0/1-6	4-0/1-6	4-6/1-6	5-0/1-6
(610) (597)			2-0/2-0	2-4/2-0	2-6/2-0	2-8/2-0	3-0/2-0	4-0/2-0	4-6/2-0	5-0/2-0
(711) (699)				2-4/2-4	2-6/2-4	2-8/2-4	3-0/2-4	4-0/2-4	4-6/2-4	5-0/2-4
(762) (749)					2-6/2-6	2-8/2-6	3-0/2-6	4-0/2-6	4-6/2-6	5-0/2-6
(813) (800)						2-8/2-8	3-0/2-8	4-0/2-8	4-6/2-8	5-0/2-8
(914) (902)							3-0/3-0	4-0/3-0	4-6/3-0	5-0/3-0
(1 067) (1 054)								4-0/3-6	4-6/3-6	5-0/3-6
(1 118) (1 105)								4-0/3-8	4-6/3-8	5-0/3-8

Additional fixed standard sizes are available, see online ADM or contact your local Pella sales representative.

Special Sizes

Special sizes are available in 1/8" increments.
Frame height cannot exceed frame width on vent units.



Performance shown does not include all frame types, see online ADM or contact your local Pella sales representative for regional options and their limitations.





Pella® 250 Series

Casement Window



Air, Water, & Structural Performance

Performance Class & Grade Rating	Water Penetration Resistance	Air Infiltration	Design Pressure	Forced Entry
R PG15 - LC PG50	5.25 - 7.5 psf	0.10 - 0.13	15 - 50 psf	10

Thermal Performance

Vent Units

Includes optional foam

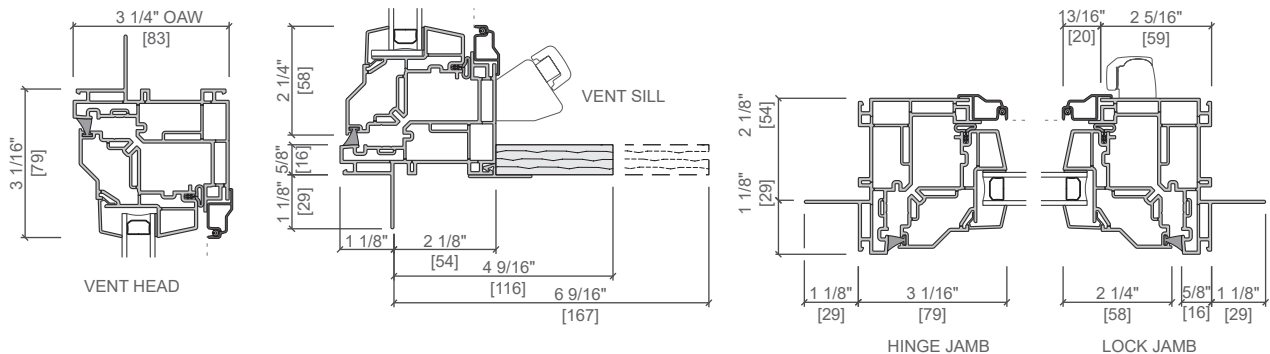
Glass Thickness	Type of Glazing (Argon fill)	U-Factor	SHGC	VLT %	CR	EnergyStar® Capable
Dual-Pane - 3mm (3/4" overall glass thickness)	Advanced Low-E IG	0.26 - 0.27	0.23 - 0.25	0.42 - 0.46	59 - 60	SC, S
	NaturalSun Low-E IG	0.26 - 0.30	0.39 - 0.43	0.47 - 0.52	56 - 60	—
	NaturalSun+ Low-E IG	0.24	0.38 - 0.42	0.46 - 0.51	46	CA, N, NC
	SunDefense™ Low-E IG	0.26	0.17 - 0.18	0.39 - 0.43	60	SC, S
	SunDefense+ Low-E IG	0.22 - 0.23	0.17 - 0.18	0.38 - 0.43	47 - 48	CA, N, NC, SC, S
Triple-Pane - 3mm (1" overall glass thickness)	Advanced Low-E IG	0.20 - 0.21	0.19 - 0.21	0.32 - 0.36	67 - 68	CA, N, NC, SC, S
	NaturalSun Low-E IG	0.21 - 0.22	0.34 - 0.38	0.42 - 0.46	67	CA, N, NC

Sound Performance

Frame Size Tested	Type of Glazing	STC	OITC
Vent - 23-1/2" x 59"	Dual Pane 3/4" Overall 3mm / 3mm glass	30	25
Vent - 23-1/2" x 59"	Dual Pane 1" Overall 5mm / 3mm glass	33	27
Fixed - 47-1/4" x 59"	Dual Pane 3/4" Overall 3mm / 3mm glass	28	24
Fixed - 47-1/4" x 59"	Dual Pane 1" Overall 5mm / 3mm glass	30	25
Vent - 23-1/2" x 59"	Triple Pane 1" Overall 3mm / 3mm / 3mm glass	34	28

Code Approvals: AAMA/WDMA Certified, **FPAS#:** Vent = FL26533; Fixed = FL 26535, **TDI#:** WIN-2357

Performance varies based on actual product attributes. See the Performance section earlier in this manual to learn more about performance standards and ratings.



Other frame types are available.

Not to scale. All dimensions are approximate.

Standard Sizes

Vent Sizes

	(381) (368)	(457) (445)	(610) (597)	(711) (699)	(762) (749)	(813) (800)	(914) (902)
Opening	1' 3"	1' 6"	2' 0"	2' 4"	2' 6"	2' 8"	3' 0"
Frame	14 1/2"	17 1/2"	23 1/2"	27 1/2"	29 1/2"	31 1/2"	35 1/2"
1' 6"	1-3/1-6	1-6/1-6					
2' 0"	1-3/2-0	1-6/2-0	2-0/2-0				
2' 4"	1-3/2-4	1-6/2-4	2-0/2-4	2-4/2-4			
2' 6"	1-3/2-6	1-6/2-6	2-0/2-6	2-4/2-6	2-6/2-6		
2' 8"	1-3/2-8	1-6/2-8	2-0/2-8	2-4/2-8	2-6/2-8	2-8/2-8	
3' 0"	1-3/3-0	1-6/3-0	2-0/3-0	2-4/3-0	2-6/3-0	2-8/3-0	3-0/3-0
3' 6"	1-3/3-6	1-6/3-6	2-0/3-6	2-4/3-6	2-6/3-6	2-8/3-6	3-0/3-6
3' 8"	1-3/3-8	1-6/3-8	2-0/3-8	2-4/3-8	2-6/3-8	2-8/3-8	3-0/3-8
4' 0"	1-3/4-0	1-6/4-0	2-0/4-0	2-4/4-0	2-6/4-0	2-8/4-0	3-0/4-0
4' 6"	1-3/4-6	1-6/4-6	2-0/4-6	2-4/4-6	2-6/4-6	2-8/4-6	3-0/4-6
5' 0"	1-3/5-0	1-6/5-0	2-0/5-0	2-4/5-0	2-6/5-0	2-8/5-0	3-0/5-0
5' 6"	1-3/5-6	1-6/5-6	2-0/5-6	2-4/5-6	2-6/5-6	2-8/5-6	3-0/5-6
6' 0"	1-3/6-0	1-6/6-0	2-0/6-0	2-4/6-0	2-6/6-0	2-8/6-0	3-0/6-0

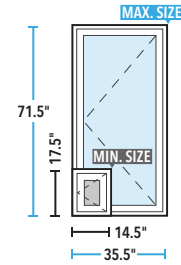
Additional fixed standard sizes are available, see online ADM or contact your local Pella sales representative.

Special Sizes

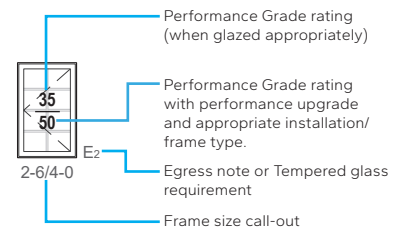
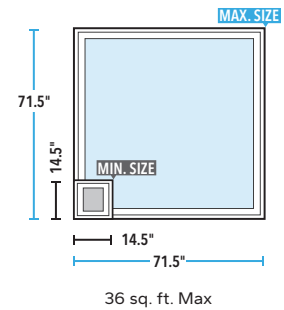
Special sizes are available in 1/8" increments.

Frame width cannot exceed frame height on vent units.

Vent



Fixed



Performance shown does not include all frame types, see online ADM or contact your local Pella sales representative for regional options and their limitations.

Egress Notes:

- E = Window meets minimum clear opening of 24" height, 20" width, and 5.7 ft².
- E1 = Window meets minimum clear opening of 24" height, 20" width, and 5.0 ft².
- E2 = With optional side pivot hardware, window meets minimum clear opening of 24" height, 20" width, and 5.7 ft².
- E3 = With optional side pivot hardware, window meets minimum clear opening of 24" height, 20" width, and 5.0 ft².

Check all applicable local codes for emergency egress requirements.





Pella® 250 Series

Double-Hung Window



Air, Water, & Structural Performance

Performance Class & Grade Rating	Water Penetration Resistance	Air Infiltration	Design Pressure	Forced Entry
R-PG15 - R-PG50	3.14 - 7.52 psf	0.10 - 0.13	15 - 50 psf	40

Thermal Performance

Glass Thickness	Type of Glazing (Argon fill)	U-Factor	SHGC	VLT %	CR	EnergyStar® Capable
Dual-Pane - 3mm (3/4" glass thickness)	Advanced Low-E IG	0.28 - 0.30	0.25 - 0.28	0.47 - 0.53	57 - 58	—
	NaturalSun Low-E IG	0.29 - 0.30	0.44 - 0.49	0.53 - 0.59	57	—
	NaturalSun+ Low-E IG	0.25 - 0.26	0.42 - 0.47	0.52 - 0.58	45	CA, N
	SunDefense™ Low-E IG	0.27 - 0.29	0.19 - 0.21	0.43 - 0.49	58	SC, S
	SunDefense+ Low-E IG	0.24 - 0.25	0.18 - 0.20	0.42 - 0.47	46 - 47	NC, SC, S
Triple-Pane - 3mm (1" glass thickness)	Advanced Low-E IG	0.21 - 0.23	0.21 - 0.24	0.36 - 0.41	65 - 66	CA, N, NC, SC, S
	NaturalSun Low-E IG	0.22 - 0.24	0.38 - 0.42	0.47 - 0.52	65 - 66	CA, N, NC

Vent Units

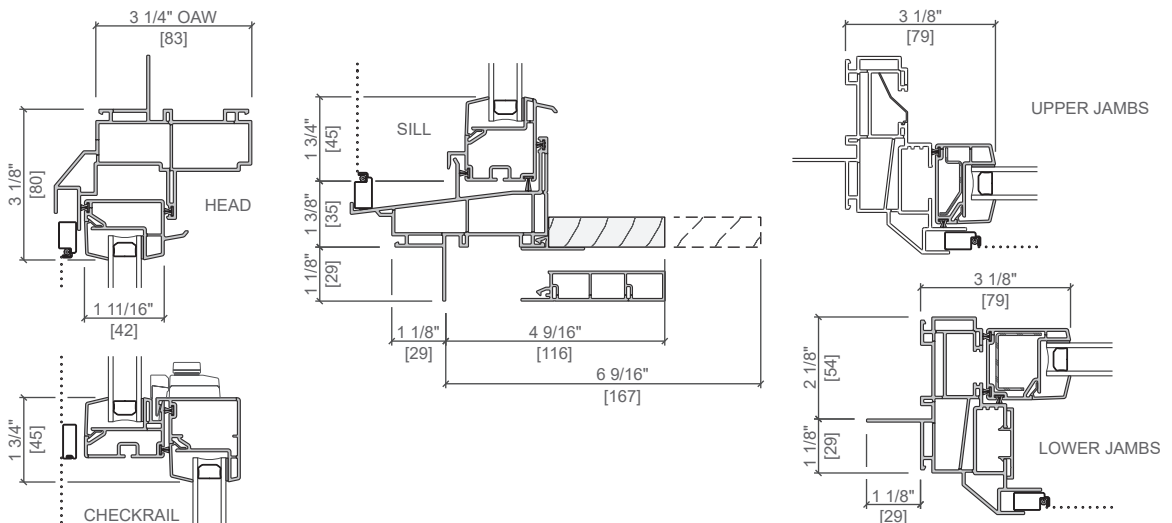
Includes optional foam and structural reinforcement

Sound Performance

Frame Size Tested	Type of Glazing	STC	OITC
Vent - 48" x 60"	Dual-Pane 11/16" Overall 2.5mm / 2.5mm glass	26	22
Vent - 48" x 60"	Triple-Pane 1" Overall 3mm / 3mm / 3mm glass	28	24

Code Approvals: AAMA/WDMA Certified, **FPAS#**: FL16813; **TDI#**: WIN-1955

Performance varies based on actual product attributes. See the Performance section earlier in this manual to learn more about performance standards and ratings.



Other frame types are available. Not to scale. All dimensions are approximate.

Standard Sizes

1-Wide Vent		(710)	(762)	(813)	(914)	(965)	(1 067)	(1 219)	(1 372)
		(699)	(749)	(800)	(902)	(953)	(1 054)	(1 207)	(1 359)
Opening		2' 4"	2' 6"	2' 8"	3' 0"	3' 2"	3' 6"	4' 0"	4' 6"
Frame		27 1/2"	29 1/2"	31 1/2"	35 1/2"	37 1/2"	41 1/2"	47 1/2"	53 1/2"
(914)	3' 0"								
(965)	3' 2"								
(1 067)	3' 6"								
(1 168)	3' 10"								
(1 219)	4' 0"								
(1 321)	4' 4"								
(1 372)	4' 6"								
(1 524)	5' 0"								
(1 575)	5' 2"								
(1 676)	5' 6"								
(1 829)	6' 0"								
(1 981)	6' 6"								

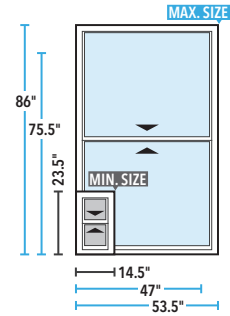
Standard frame widths are available in 23-1/2" (2-0) sizes

Special Sizes

Special sizes are available in 1/8" increments.

Two-wide and Three-wide composites or combinations are available. See online ADM for size limitations

Vent (Equal Sash)

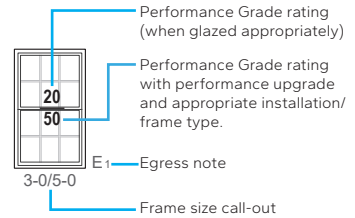


Vent Cottage Sash Split

Minimum: 14.5" Wide x 28.5" High
Maximum: 53.5" Wide x 72.5" High

Vent Contemporary Sash Split

Minimum: 14.5" Wide x 28.5" High
Maximum: 53.5" Wide x 72.5" High
or 48" Wide x 72.5" High
or 53.5" Wide x 64.5" High



Performance shown does not include all frame types, see online ADM or contact your local Pella sales representative for regional options and their limitations.

Egress Notes:

- E = Window meets minimum clear opening of 24" height, 20" width, and 5.7 ft².
- E1 = Window meets minimum clear opening of 24" height, 20" width, and 5.0 ft².

Check all applicable local codes for emergency egress requirements.





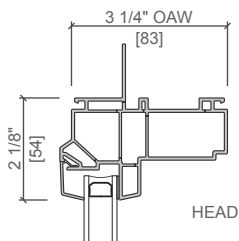
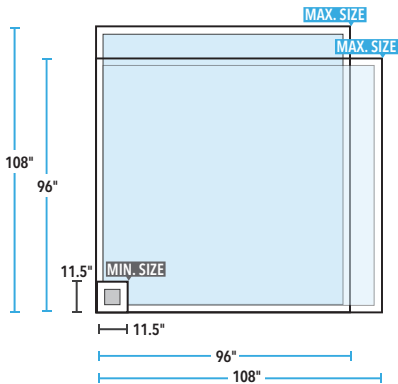
Pella® 250 Series

Fixed Window



Fixed - Rectangular

Sizes are available in 1/8" increments.
 Rectangular Special Sizes Maximum 40 sq. ft.



Other frame types are available.
 Not to scale. All dimensions are approximate.

Fixed Shapes

Description	Width		Height	
	Min.	Max.	Min.	Max.
Half Circle 	23.5"	95.5"	14.5"	47.5"
Arch Head 	17.5"	95.5"	11.5"	108"
Springline 	23.5"	95.5"	20.5"	108"
Partial Arch Head 	17.5"	95.5"	11.5"	108"
Quarter Circle 	23.5"	73.5"	23.5"	73.5"
Full Circle 	29.5"	73.5"	29.5"	73.5"

Both width and height cannot be > than 73-1/2"
 All curved shapes are available up to a maximum of 40 sq. ft. when measured as a rectangle.
 Bronze glass: limited to 22 sq. ft.

Description	Width		Height	
	Min.	Max.	Min.	Max.
Left & Right Gable 	11.5"	108"	11.5"	108"
House Top 	17.5"	108"	11.5"	108"
Left & Right 90° Triangle 	23.5"	108"	11.5"	108"
Octagon 	17.5"	73.5"	17.5"	73.5"

Both width and height cannot be > than 73-1/2"
 Bronze glass: limited to 22 sq. ft.
 If long side is ≤ 95-1/2", width and height ratio ≤ 8:1
 If long side is > 95-1/2", width and height ratio < 5:1
 Minimum overall width plus overall height is 29"
 Maximum frame width with 9-Lite Prairie grille = 72"
 Minimum leg length is 5-1/2"
 Minimum corner angle is 40°
 If glass width/height ratio is > 5:1, then glass must be tempered

Fixed - Rectangular and Curved Shapes

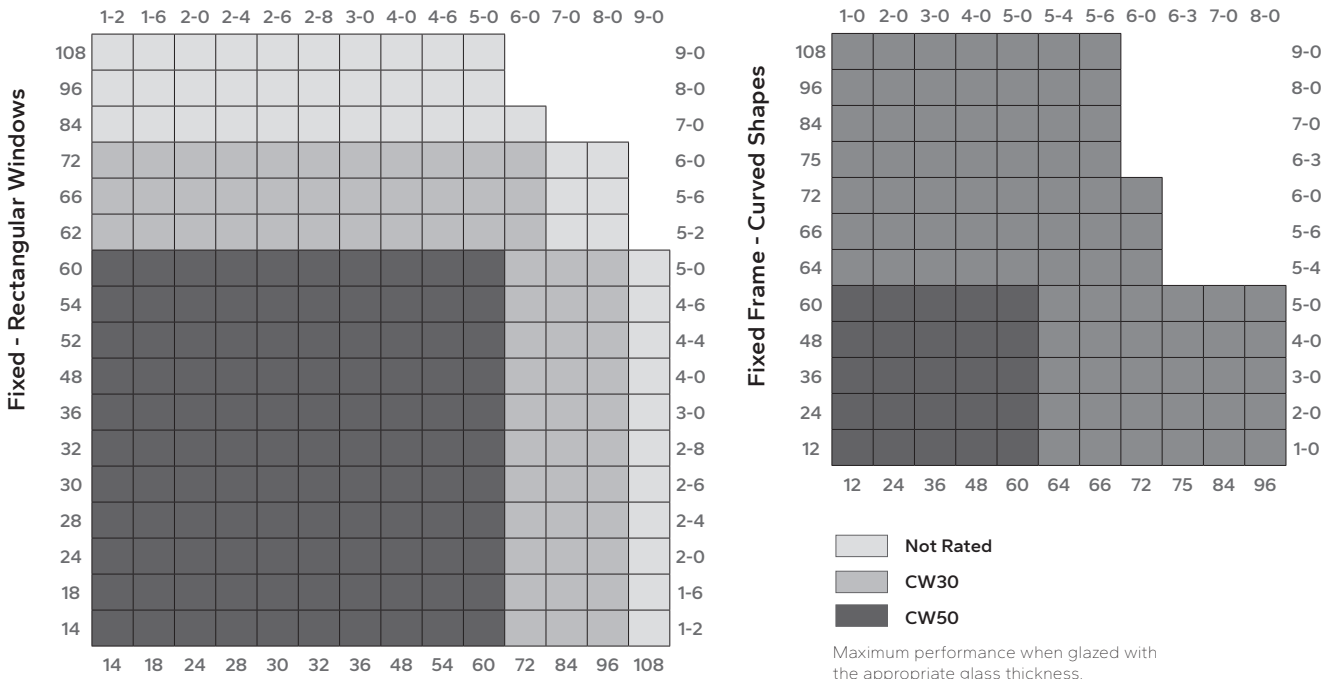
Air, Water, & Structural Performance	Performance Class & Grade Rating	Water Penetration Resistance	Air Infiltration	Design Pressure	Forced Entry
	R-PG15 - CW-PG50	4.60 - 7.52 psf	0.01 - 0.13	15 - 50 psf	40

Thermal Performance	Glass Thickness	Type of Glazing (Argon fill)	U-Factor	SHGC	VLT %	CR	EnergyStar® Capable
	Dual-Pane - 3mm (3/4" overall glass thickness)	Advanced Low-E IG	0.26	0.28 - 0.31	0.53 - 0.59	60	—
		NaturalSun Low-E IG	0.27	0.49 - 0.55	0.60 - 0.67	60	CA
NaturalSun+ Low-E IG		0.23	0.48 - 0.53	0.59 - 0.65	46	CA, N	
SunDefense™ Low-E IG		0.26	0.21 - 0.23	0.49 - 0.55	61	SC, S	
SunDefense+ Low-E IG		0.22	0.21 - 0.23	0.48 - 0.53	48	N, NC, SC, S	
Triple-Pane - 3mm (1" glass thickness)	Advanced Low-E IG	0.19 - 0.20	0.24 - 0.27	0.41 - 0.46	68	CA, N, NC	
	NaturalSun Low-E IG	0.20	0.43 - 0.48	0.53 - 0.59	68	CA, N	

Sound Performance	Frame Size Tested	Type of Glazing	STC	OITC
	48" x 60"	Dual-Pane, 3/4" Overall	26	22
	48" x 60"	Triple-Pane, 1" Overall	27	22

Code Approvals: AAMA/WDMA Certified; Fixed=FL16811; TDI# Fixed=WIN-1956

Performance varies based on actual product attributes. See the Performance section earlier in this manual to learn more about performance standards and ratings.



Maximum performance when glazed with the appropriate glass thickness.

Performance shown does not include all frame types, see online ADM or contact your local Pella sales representative for regional options and their limitations.

Table(s) above show nominal frame size in inches, equal to rough-opening size. **Deduct 1/2" for actual frame size.**

Standard sizes shown, unless noted otherwise. Special sizes are available in 1/8" increments.

Maximum performance when glazed with the appropriate glass. For special size units, use the performance class and grade for the next larger standard size unit.





Pella® 250 Series

Single-Hung Window



Air, Water, & Structural Performance

Performance Class & Grade Rating	Water Penetration Resistance	Air Infiltration	Design Pressure	Forced Entry
R-PG15 - R-PG50	5.43 - 7.52 psf	0.13 - 0.14	15 - 50 psf	40

Thermal Performance

Glass Thickness	Type of Glazing (Argon fill)	U-Factor	SHGC	VLT %	CR	EnergyStar® Capable
Dual-Pane-3mm (3/4" overall glass thickness)	Advanced Low-E IG	0.27 - 0.28	0.26 - 0.29	0.49 - 0.55	58	—
	NaturalSun Low-E IG	0.28 - 0.29	0.46 - 0.51	0.55 - 0.62	57	—
	NaturalSun+ Low-E IG	0.24 - 0.25	0.44 - 0.49	0.54 - 0.61	45 - 46	CA, N
	SunDefense™ Low-E IG	0.27 - 0.28	0.20 - 0.22	0.45 - 0.51	58 - 59	SC, S
	SunDefense+ Low-E IG	0.23 - 0.24	0.19 - 0.21	0.44 - 0.49	47	NC, SC, S
Triple-Pane-3mm (1" overall glass thickness)	Advanced Low-E IG	0.20 - 0.22	0.22 - 0.25	0.38 - 0.43	66 - 67	CA, N, NC, SC, S
	NaturalSun Low-E IG	0.21 - 0.23	0.40 - 0.44	0.49 - 0.55	66	CA, N, NC

Vent Units

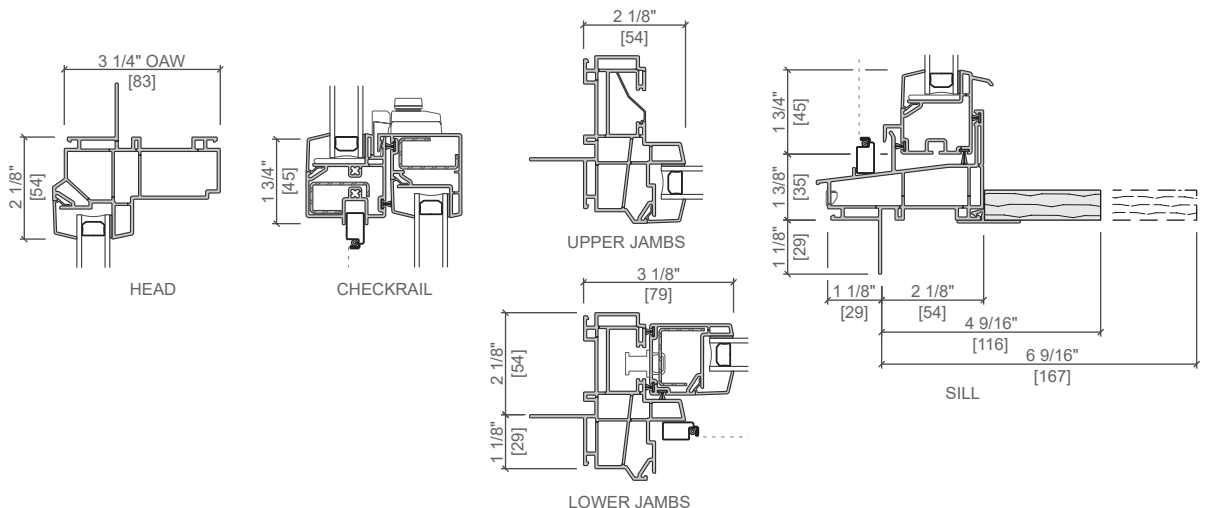
Includes optional foam and structural reinforcement

Sound Performance

Frame Size Tested	Type of Glazing	STC	OITC
Vent - 48" x 60"	Dual-Pane 11/16" Overall 2.5mm / 2.5mm glass	25	22
Vent - 48" x 60"	Triple-Pane 1" Overall 3mm / 3mm / 3mm glass	28	23

Code Approvals: AAMA/WDMA Certified; FPAS# FL16812; TDI# WIN-1957

Performance varies based on actual product attributes. See the Performance section earlier in this manual to learn more about performance standards and ratings.



Other frame types are available. Not to scale. All dimensions are approximate.

Standard Sizes

1-Wide Vent	(710) (699)	(762) (749)	(813) (800)	(914) (902)	(965) (953)	(1 067) (1 054)	(1 219) (1 207)	(1 372) (1 359)
Opening	2' 4"	2' 6"	2' 8"	3' 0"	3' 2"	3' 6"	4' 0"	4' 6"
Frame	27 1/2"	29 1/2"	31 1/2"	35 1/2"	37 1/2"	41 1/2"	47 1/2"	53 1/2"
(914) (902)	35 50	35 50	35 50	35 50	35 50	35 50	35 50	50*
(965) (953)	35 50	35 50	35 50	35 50	35 50	35 50	35 50	50*
(1 067) (1 054)	35 50	35 50	35 50	35 50	35 50	35 50	30 50	50*
(1 168) (1 156)	35 50	35 50	35 50	35 50	35 50	35 50	35 50	50*
(1 219) (1 207)	35 50	35 50	35 50	35 50	35 50	35 50	30 50	50*
(1 321) (1 308)	35 50	35 50	35 50	35 50	35 50	35 50	35 50	50*
(1 372) (1 359)	35 50	35 50	35 50	35 50	35 50	35 50	35 50	50*
(1 524) (1 511)	35 50	35 50	35 50	35 50	35 50	35 50	35 50	50*
(1 575) (1 562)	35 50	35 50	35 50	35 50	35 50	35 50	35 50	50*
(1 676) (1 664)	35 50	35 50	35 50	35 50	35 50	35 50	35 50	50*
(1 829) (1 816)	35 50	35 50	35 50	35 50	35 50	35 50	35 50	50*
(1 981) (1 969)	35 50	35 50	35 50	35 50	35 50	35 50	35 50	50*

Standard frame widths are available in 23-1/2" (2-0) sizes

Special Sizes

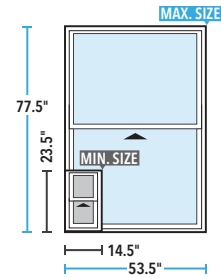
Special sizes are available in 1/8" increments.

For special size units, use the performance class and grade for the next larger standard size unit.

Two- and three-wide composites or combinations are available.

Maximum frame area for single and two-wide composites = 48 Ft²

Vent (Equal Sash)



Vent - Cottage Sash

Minimum: 14.5" Wide x 28.5" High

Maximum: 53.5" Wide x 65.5" High

Vent - Contemporary Sash

Minimum: 14.5" Wide x 28.5" High

Maximum: 53.5" Wide x 96" High

Vent - 24" Sash

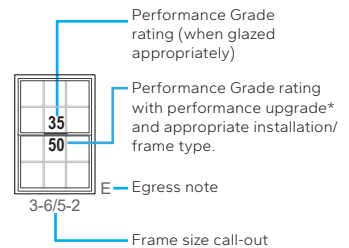
Minimum: 14.5" Wide x 47.625" High

Maximum: 53.5" Wide x 65.5" High

Vent - 30" Sash

Minimum: 14.5" Wide x 59.625" High

Maximum: 53.5" Wide x 65.5" High



* Available only by selecting Performance Upgrade option and using appropriate installation/frame type.

Performance shown does not include all frame types, see online ADM or contact your local Pella sales representative for regional options and their limitations.

Egress Notes:

E = Window meets minimum clear opening of 24" height, 20" width, and 5.7 ft².

E1 = Window meets minimum clear opening of 24" height, 20" width, and 5.0 ft².

Check all applicable local codes for emergency egress requirements.

Special sizes available may vary depending on glazing configuration, sizes shown are for annealed glass. For complete details of sizes and configurations available in various regions, please see the on-line ADM or consult your local Pella sales representative.





Pella® 250 Series

Sliding Window



Air, Water, & Structural Performance

Performance Class & Grade Rating	Water Penetration Resistance	Air Infiltration	Design Pressure	Forced Entry
R-PG15 – R-PG50	3.76 – 7.52 psf	0.13	15 - 50 psf	10

Thermal Performance

Glass Thickness	Type of Glazing (Argon fill)	U-Factor	SHGC	VLT %	CR	EnergyStar® Capable
Dual-Pane - 3mm (3/4" overall glass thickness)	Advanced Low-E IG	0.27 - 0.28	0.26 - 0.29	0.49 - 0.55	58 - 59	—
	NaturalSun Low-E IG	0.28 - 0.32	0.46 - 0.51	0.55 - 0.62	58	—
	NaturalSun+ Low-E IG	0.24 - 0.25	0.44 - 0.49	0.54 - 0.61	45	CA, N
	SunDefense™ Low-E IG	0.27	0.20 - 0.22	0.45 - 0.51	59	SC, S
	SunDefense+ Low-E IG	0.23 - 0.24	0.19 - 0.21	0.44 - 0.50	47	NC, SC, S
Triple-Pane - 3mm (1" overall glass thickness)	Advanced Low-E IG	0.20 - 0.22	0.22 - 0.25	0.38 - 0.43	66	CA, N, NC, SC, S
	NaturalSun Low-E IG	0.21 - 0.22	0.40 - 0.44	0.49 - 0.55	65	CA, N, NC

Vent Units

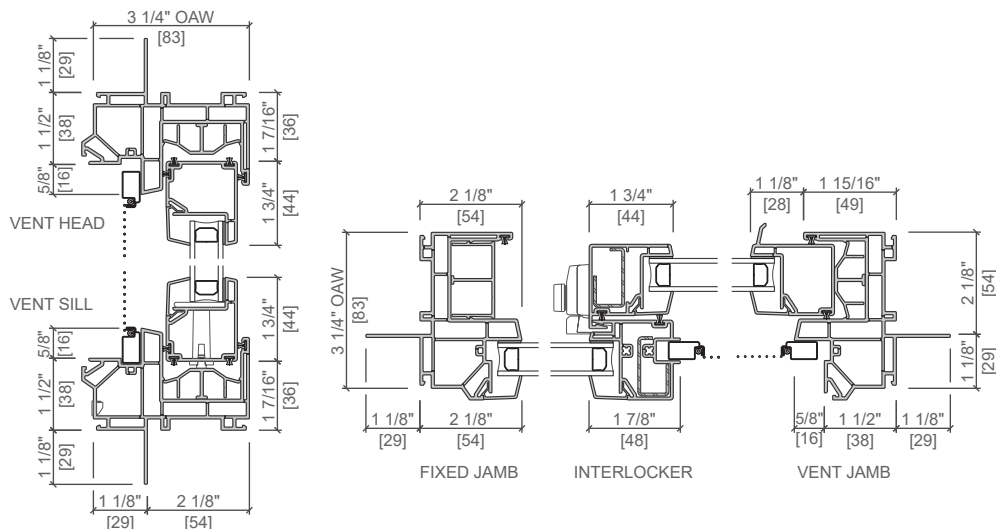
Includes optional foam

Sound Performance

Frame Size Tested	Type of Glazing	STC	OITC
OX/XO Vent - 60" x 48"	Dual-Pane 13/16" Overall 2.5mm / 2.5mm glass	25	22
OX/XO Vent - 60" x 48"	Triple-Pane 1" Overall 3mm / 3mm / 3mm glass	28	23

Code Approvals: AAMA/WDMA Certified; **FPAS#**: FL16809; **TDI#**: WIN-1951

Performance varies based on actual product attributes. See the Performance section earlier in this manual to learn more about performance standards and ratings.



Other frame types are available. Not to scale. All dimensions are approximate.

Standard Sizes

Vent-Fixed Units (XO)

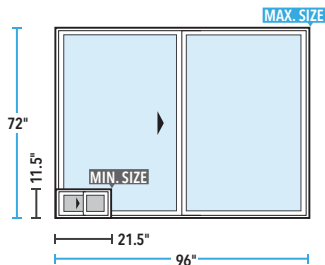
	(610) (597)	(914) (902)	(1 219) (1 207)	(1 372) (1 359)	(1 524) (1 511)	(1 829) (1 816)	(1 981) (1 969)
Opening	2' 0"	3' 0"	4' 0"	4' 6"	5' 0"	6' 0"	6' 6"
Frame	23 1/2"	35 1/2"	47 1/2"	53 1/2"	59 1/2"	71 1/2"	77 1/2"
(610) (597)	2-0/2-0	3-0/2-0	4-0/2-0	4-6/2-0	5-0/2-0	6-0/2-0	6-6/2-0
(762) (749)	2-0/2-6	3-0/2-6	4-0/2-6	4-6/2-6	5-0/2-6	6-0/2-6 E ₁	6-6/2-6 E
(914) (902)	2-0/3-0	3-0/3-0	4-0/3-0	4-6/3-0	5-0/3-0 E ₁	6-0/3-0 E	6-6/3-0 E
(1 067) (1 054)		3-0/3-6	4-0/3-6	4-6/3-6 E ₁	5-0/3-6 E	6-0/3-6 E	6-6/3-6 E
(1 219) (1 207)		3-0/4-0	4-0/4-0	4-6/4-0 E	5-0/4-0 E	6-0/4-0 E	6-6/4-0 E
(1 372) (1 359)		3-0/4-6	4-0/4-6	4-6/4-6 E	5-0/4-6 E	6-0/4-6 E	6-6/4-6 E
(1 524) (1 511)	3-0/5-0	4-0/5-0	4-6/5-0 E	5-0/5-0 E	6-0/5-0 E	6-6/5-0 E	

Special Sizes

Special sizes are available in 1/8" increments

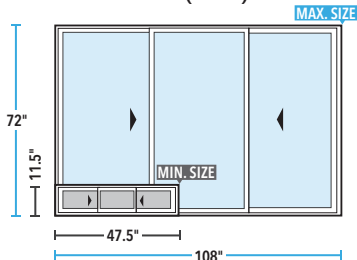
Frame area cannot be greater than 40 Ft² on 2-panel dual pane annealed units or greater than 50 Ft² on 3-panel dual pane annealed units.

Vent (OX or XO)



Maximum Frame Height ≤ Frame Width x 1.75

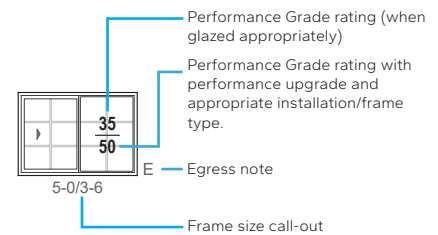
Vent (XOX)



Sash split options are 1/4 width and 1/3 width of frame

1/4 Vent XOX Units: Max frame height ≤ frame width x 0.875

1/3 Vent XOX Units: Max frame height ≤ frame width x 1.167



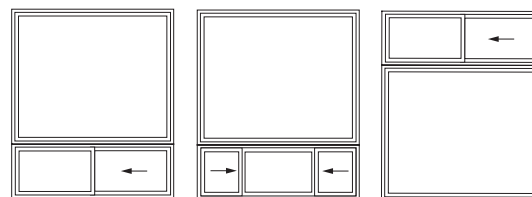
Performance shown does not include all frame types, see online ADM or contact your local Pella sales representative for regional options and their limitations.

Egress Notes:

E = Window meets minimum clear opening of 24" height, 20" width, and 5.7 ft².

E₁ = Window meets minimum clear opening of 24" height, 20" width, and 5.0 ft².

Check all applicable local codes for emergency egress requirements.



Composite Fixed over XO or OX and Fixed over XOX units are available, see the on-line ADM or contact your local Pella sales representative for details.





Pella® 250 Series

Premium Hinged Patio Doors



Air, Water, & Structural Performance

Performance Class & Grade Rating	Water Penetration Resistance	Air Infiltration	Design Pressure	Forced Entry ₁
LC-PG25 - PG30	3.76 - 4.59 psf	1.6 psf	25 - 30 psf	Meets AAMA 1304

Thermal Performance

Vent Units

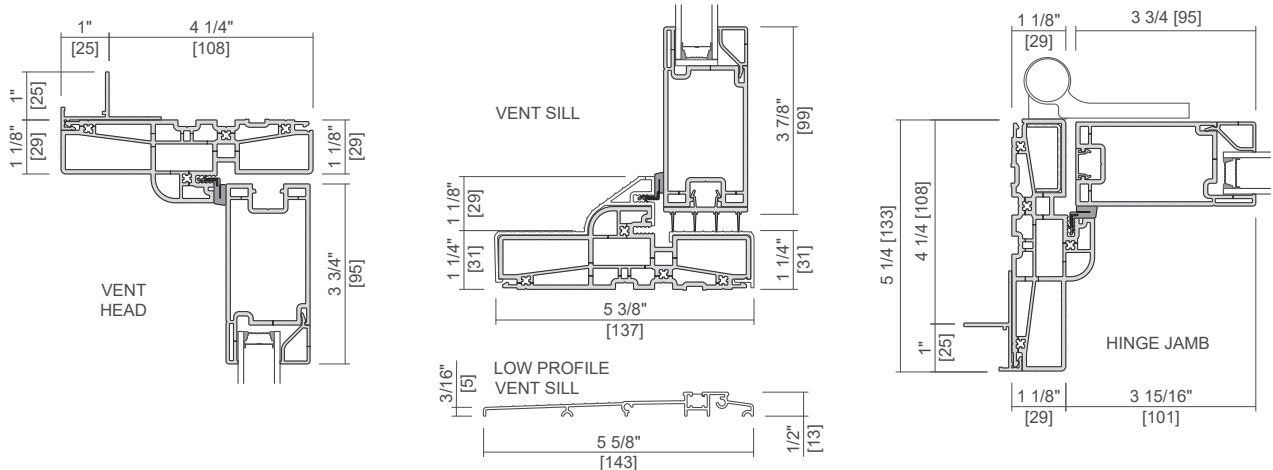
Glass Thickness	Type of Glazing (Argon fill)	U-Factor	SHGC	VLT %	CR	EnergyStar® Capable
In-Swing, Dual-Pane 7/8" overall glass thickness	Advanced Low-E IG	0.35	0.24	0.44 - 0.45	—	—
	SunDefense™ Low-E IG	0.34 - 0.35	0.18	0.41 - 0.42	—	—
In-Swing, Triple-Pane 1-1/4" overall glass thickness	SunDefense™ Low-E IG	0.28	0.16	0.30	—	—
Out-Swing, Dual-Pane 7/8" overall glass thickness	Advanced Low-E IG	0.35	0.24	0.44 - 0.45	—	—
	SunDefense™ Low-E IG	0.34 - 0.35	0.18	0.41 - 0.42	—	—
Out-Swing, Triple-Pane 1-1/4" overall glass thickness	SunDefense™ Low-E IG	0.27	0.16	0.30	—	—

Sound Performance

Frame Size Tested	Type of Glazing		STC	OITC
—	Dual-Pane 7/8" Overall	3mm / 3mm glass	30	25
	Triple-Pane 1-1/4" Overall	3mm / 3mm / 3mm glass	30	25

Code Approvals: AAMA/WDMA Certified

Performance varies based on actual product attributes. See the Performance section earlier in this manual to learn more about performance standards and ratings.



Single In-Swing Shown, other frame types are available. Not to scale. All dimensions are approximate.

Standard Sizes

Configuration	Width	Height	Call/RO Width	Call/RO Height
Single Outswing SD	32.5625	95.25	33	95.75
Hinged LT - Hinged RT	38.5625	95.25	39	95.75
Single Inswing SD	32.5625	95.625	33	96.125
Hinged LT Hinged RT	38.5625	95.625	39	96.125
Double Outswing SD	63.375	95.25	63.875	95.75
Primary LT - Primary RT	75.375	95.25	75.875	95.75
Double Inswing SD	63.375	95.625	63.875	96.125
Primary LT - Primary RT	75.375	95.625	75.875	96.125
Transom	32.5625	17.5	33	18
	38.5625		39	
	63.375		63.875	
	75.375		75.875	
Sidelite	18	95.625	18.5	96.125
	38.5625	95.625	39	96.125

Special Sizes

Configuration	Min Width	Min Height	Max Width	Max Height
Single Door - OutSwing Left or Right Swing	21.5	32.625	44.5	84
			39.5	96
			37.25	102
Single Door - In-Swing Left or Right Swing	21.5	32.875	44.5	84
			39.5	96
			37.25	102
Double Door - OutSwing Left or Right Primary	41.5	32.625	87.375	84
			77.375	96
			72.875	102
Double Door - In-Swing Left or Right Primary	41.5	32.875	87.375	84
			77.625	96
			73.125	102
Transom	23.375	17.3125	84	45.125
			96	40.25
			102	38
Sidelite	17.3125	23.375	45.125	84
			40.25	96
			38	102

Special sizes are available in 1/8" increments



Pella® 250 Series

Classic Sliding Patio Door



Air, Water, & Structural Performance

Performance Class & Grade Rating	Water Penetration Resistance	Air Infiltration	Design Pressure	Forced Entry ¹
SGD - LC35 – LC50	5.25 – 7.52 psf	0.14	35 - 50 psf	25 / 40

Thermal Performance

Glass Thickness	Type of Glazing (Argon fill)	U-Factor	SHGC	VLT %	CR	EnergyStar® Capable
Dual-Pane - 3mm (3/4" overall glass thickness)	Advanced Low-E IG	0.28 - 0.30	0.25 - 0.28	0.46 - 0.52	58 - 60	—
	NaturalSun Low-E IG	0.29 - 0.31	0.43 - 0.49	0.52 - 0.59	58 - 59	—
	NaturalSun+ Low-E IG	0.25 - 0.27	0.41 - 0.47	0.50 - 0.58	47 - 48	—
	SunDefense™ Low-E IG	0.27 - 0.29	0.19 - 0.21	0.42 - 0.48	58 - 60	SC, S
	SunDefense+ Low-E IG	0.24 - 0.26	0.18 - 0.20	0.41 - 0.47	49	N, NC, SC, S
Triple-Pane - 3mm (1" overall glass thickness)	Advanced Low-E IG	0.22 - 0.24	0.21 - 0.24	0.36 - 0.41	60 - 65	N, NC, SC, S
	NaturalSun Low-E IG	0.22 - 0.25	0.37 - 0.42	0.45 - 0.52	59 - 64	CA, N, NC

Vent Units

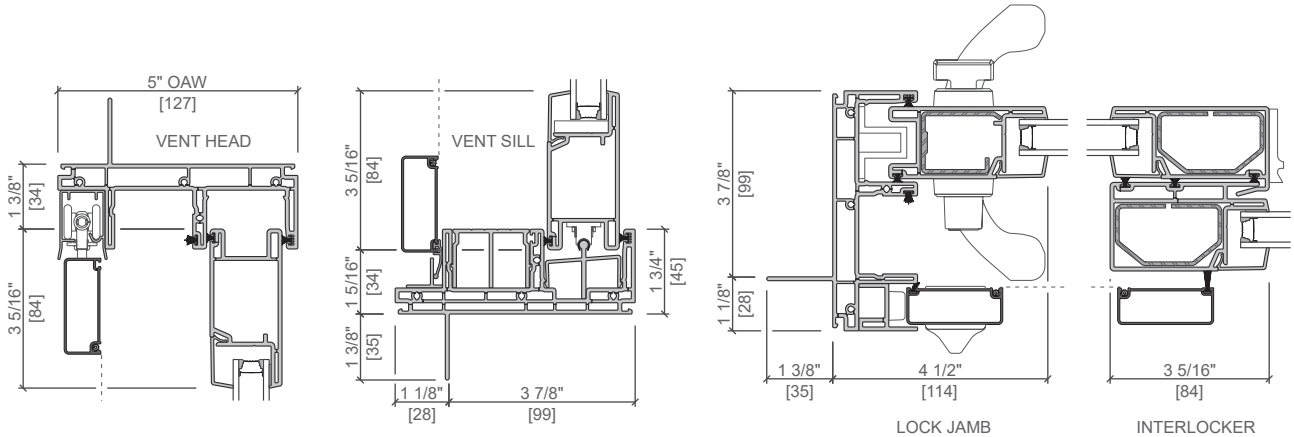
Includes optional foam

Sound Performance

Frame Size Tested	Type of Glazing	STC	OITC
Vent OX/XO 71-7/8" x 79-3/4"	Dual-Pane 3/4" Overall 3mm / 3mm glass	29	24
Vent OX/XO 71-7/8" x 79-3/4"	Dual-Pane 1" Overall 5mm / 3mm glass	32	26
Vent OX/XO 71-7/8" x 79-3/4"	Triple-Pane 1" Overall 3mm / 3mm / 3mm glass	29	24

Code Approvals: AAMA/WDMA Certified; **FPAS#** FL 20146; **TDI#** DR 1084

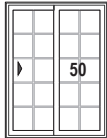
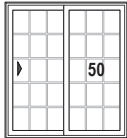
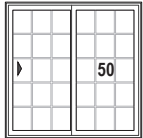
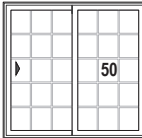
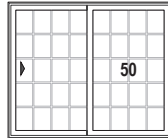
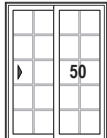
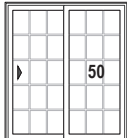
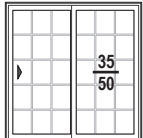
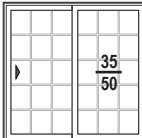
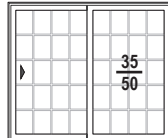
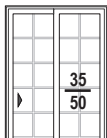
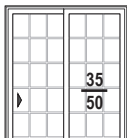
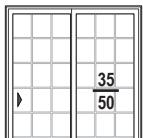
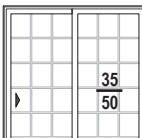
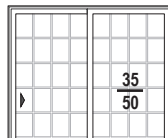
Performance varies based on actual product attributes. See the Performance section earlier in this manual to learn more about performance standards and ratings.

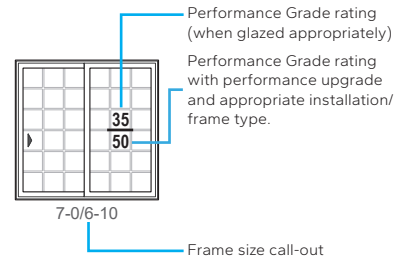


Other frame types are available. Not to scale. All dimensions are approximate.

(1) The higher the level, the greater the product's ability to resist forced entry. To achieve Grade 40 rating on ASTM F842 (forced entry excluding glass breakage), the optional footbolt must be installed and engaged.

Standard Sizes

	(1 524) (1 511)	(1 829) (1 816)	(2 038) (2 019)	(2 134) (2 121)	(2 438) (2 426)
Opening	5' 0"	6' 0"	6' 8"	7' 0"	8' 0"
Frame	59 1/2"	71 1/2"	79 1/2"	83 1/2"	95 1/2"
6' 8" (2 032) 79 1/2" (2 019)	 5-0/6-8	 6-0/6-8	 6-8/6-8	 7-0/6-8	 8-0/6-8
6' 10" (2 083) 81 1/2" (2 070)	 5-0/6-10	 6-0/6-10	 6-8/6-10	 7-0/6-10	 8-0/6-10
8' 0" (2 438) 95 1/2" (2 426)	 5-0/8-0	 6-0/8-0	 6-8/8-0	 7-0/8-0	 8-0/8-0



All doors, transoms and sidelights are glazed with tempered glass. Combinations require reinforcing mullions between units.

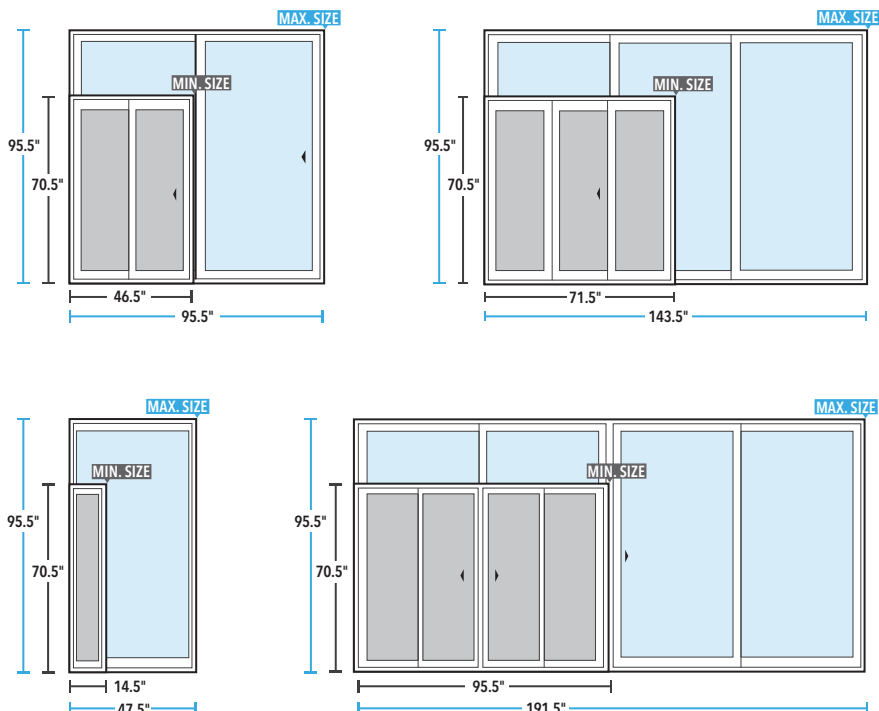
Select sizes available with Blinds-Between-The-Glass.

Special Sizes

Special sizes are available in 1/8" increments

3-Panel with Blinds-Between-the-Glass have frame widths available in 3/8" increments beginning at the minimum frame width of 71-1/2"

4-Panel with Blinds-Between-the-Glass have frame width available in 1/4" increments beginning at the minimum frame width of 95-1/2"



See the online ADM or consult with your local Pella Sales representative to view complete performance information as well as standard sizes and performance of transoms, fixed panel, 3- and 4-panel doors.





Pella® 250 Series

Standard and Premium Sliding Patio Doors



Standard Sliding Patio Door

Air, Water, & Structural Performance	Performance Class & Grade Rating	Water Penetration Resistance	Air Infiltration	Design Pressure	Forced Entry ₁		
	R-PG20 - LC-PG25	3.13 - 5.43 psf	1.57 psf	20 - 25 psf	Meets ASTM F842-04		
Thermal Performance	Glass Thickness	Type of Glazing (Argon fill)	U-Factor	SHGC	VLT %	CR	EnergyStar® Capable
	Dual-Pane 7/8" overall glass thickness	Advanced Low-E IG SunDefense™ Low-E IG	0.27 - 0.28 0.27	0.28 0.21	0.52 - 0.53 0.49	— —	— —
Vent Units	Triple-Pane 1-1/4" overall glass thickness	SunDefense™ Low-E IG	0.18	0.18	0.36	—	—
Sound Performance	Frame Size Tested	Type of Glazing			STC	OITC	
	XO - 2 Panel	Dual-Pane 7/8" Overall Triple-Pane 1-1/4" Overall	3mm / 3mm glass 3mm / 3mm / 3mm glass		28 —	23 —	

Code Approvals: AAMA/WDMA Certified

Performance varies based on actual product attributes. See the Performance section earlier in this manual to learn more about performance standards and ratings.

Premium Sliding Patio Door

Air, Water, & Structural Performance	Performance Class & Grade Rating	Water Penetration Resistance	Air Infiltration	Design Pressure	Forced Entry ₁		
	SGD - LC-PG30	4.59 psf	1.57	30 psf	Meets ASTM F842-04		
Thermal Performance	Glass Thickness	Type of Glazing (Argon fill)	U-Factor	SHGC	VLT %	CR	EnergyStar® Capable
	Dual-Pane 7/8" overall glass thickness	Advanced Low-E IG SunDefense™ Low-E IG	0.27 0.26 - 0.27	0.26 0.20	0.49 - 0.50 0.45 - 0.46	— —	— —
Vent Units	Triple-Pane 1-1/4" overall glass thickness	SunDefense™ Low-E IG	0.18	0.17	0.33	—	—
Sound Performance	Frame Size Tested	Type of Glazing			STC	OITC	
	XO - 2 Panel	Dual-Pane 7/8" Overall Triple-Pane 1-1/4" Overall	3mm / 3mm glass 3mm / 3mm / 3mm glass		30 —	23 —	

Code Approvals: AAMA/WDMA Certified

Performance varies based on actual product attributes. See the Performance section earlier in this manual to learn more about performance standards and ratings.

Standard Sizes

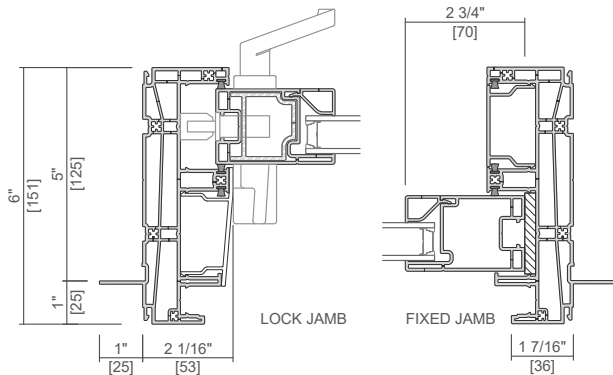
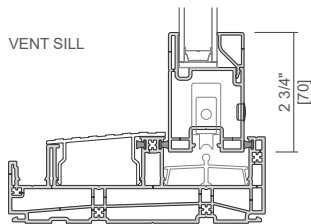
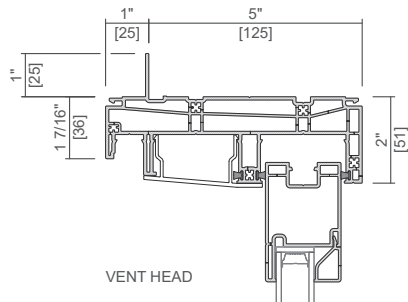
Series	Configuration	Width	Height	Call/RO Width	Call/RO Height
Standard	XO or OX	59.5	95.5	60	96
		71.5	95.5	72	96
		95.5	95.5	96	96
	XOO or OOX	104.3125	95.5	104.875	96
		140.3125	95.5	140.875	96
		116.75	95.5	117.25	96
	OXXO	140.75	95.5	141.25	96
		188.75	95.5	189.25	96
		39.125	95.75	39.625	96.25
	Sidelite	51.125	95.75	51.625	96.25
Premium	XO or OX	71.5	95.5	72	96
		95.5	95.5	96	96
		119.5	95.5	120	96
	XOO or OOX	104.25	95.5	104.75	96
		140.25	95.5	140.75	96
	OXXO	140.875	95.5	141.375	96
188.875		95.5	189.375	96	

Special Sizes

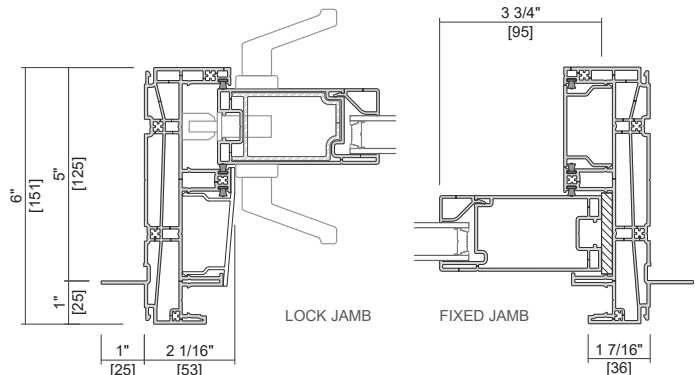
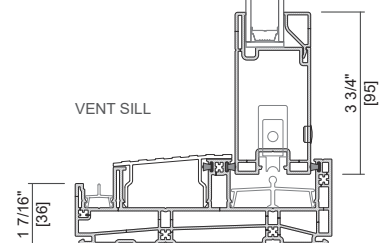
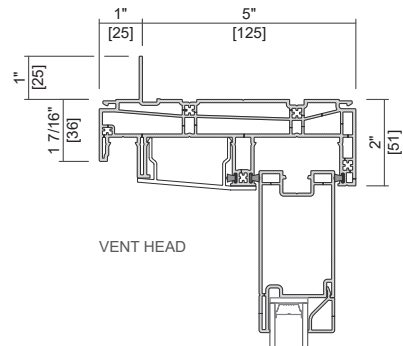
Series	Configuration	Min. Width	Min. Height	Max. Width	Max. Height	
Standard	XO or OX	32	39	99.125	96	
	OXXO	62	39	191.5	96	
	XOO or OOX	45.125	39	145.375	96	
Premium	XO or OX		39	123	96	
				109.125	108	
				97.75	120	
	OXXO		71.5	39	240	96
					216.25	108
					193.5	120
XOO or OOX		52	39	181	96	
				160.375	108	
				143.5	120	

Special sizes are available in 1/8" increments

Standard Sliding Patio Door



Premium Sliding Patio Door



Other frame types are available. Not to scale. All dimensions are approximate.



Pella® 250 Series

Multislide Patio Doors



Standard Multislide Patio Door

Air, Water, & Structural Performance	Performance Class & Grade Rating	Water Penetration Resistance	Air Infiltration	Design Pressure	Forced Entry ₁		
	LC-PG25	3.76 psf	1.57 psf	25 psf	Meets ASTM F842-04		
Thermal Performance	Glass Thickness	Type of Glazing (Argon fill)	U-Factor	SHGC	VLT %	CR	EnergyStar® Capable
	Dual-Pane 7/8" overall glass thickness	Advanced Low-E IG SunDefense™ Low-E IG	0.27 - 0.28 0.27	0.28 0.21	0.52 - 0.53 0.49	— —	— —
Vent Units	Triple-Pane 1-1/4" overall glass thickness	SunDefense™ Low-E IG	0.18	0.18	0.36	—	—
Sound Performance	Frame Size Tested	Type of Glazing			STC	OITC	
	—	Dual-Pane 7/8" Overall Triple-Pane 1-1/4" Overall	3mm / 3mm glass 3mm / 3mm / 3mm glass		28 —	23 —	

Code Approvals: AAMA/WDMA Certified

Performance varies based on actual product attributes. See the Performance section earlier in this manual to learn more about performance standards and ratings.

Premium Multislide Patio Door

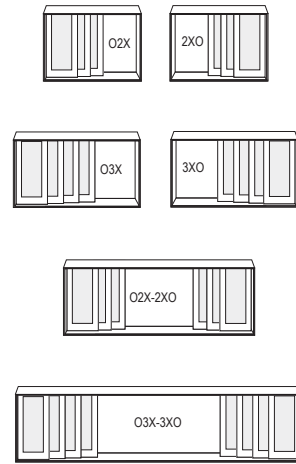
Air, Water, & Structural Performance	Performance Class & Grade Rating	Water Penetration Resistance	Air Infiltration	Design Pressure	Forced Entry ₁		
	LC-PG30	5.34 psf	1.57	30 psf	Meets ASTM F842-04		
Thermal Performance	Glass Thickness	Type of Glazing (Argon fill)	U-Factor	SHGC	VLT %	CR	EnergyStar® Capable
	Dual-Pane 7/8" overall glass thickness	Advanced Low-E IG SunDefense™ Low-E IG	0.27 0.26 - 0.27	0.26 0.20	0.49 - 0.50 0.45 - 0.46	— —	— —
Vent Units	Triple-Pane 1-1/4" overall glass thickness	SunDefense™ Low-E IG	0.18	0.17	0.33	—	—
Sound Performance	Frame Size Tested	Type of Glazing			STC	OITC	
	—	Dual-Pane 7/8" Overall Triple-Pane 1-1/4" Overall	3mm / 3mm glass 3mm / 3mm / 3mm glass		30 —	23 —	

Code Approvals: AAMA/WDMA Certified

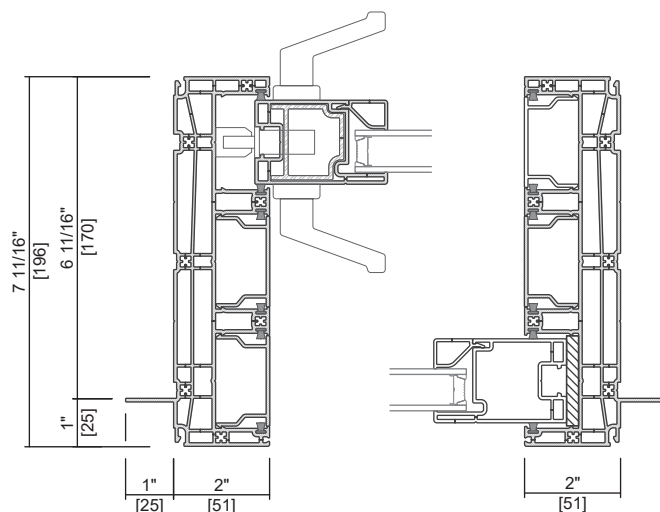
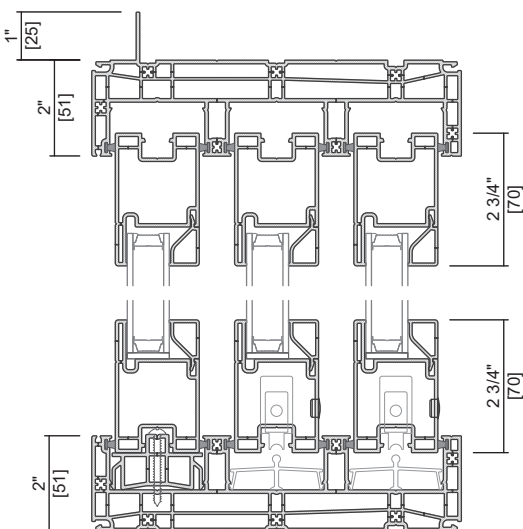
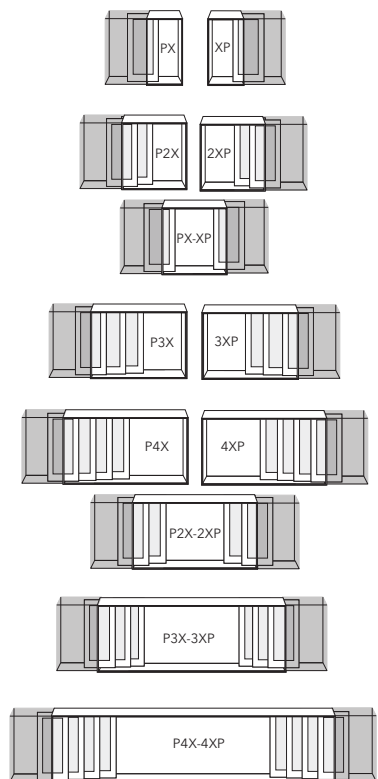
Performance varies based on actual product attributes. See the Performance section earlier in this manual to learn more about performance standards and ratings.

Sizes and Configurations

Series	Configuration	Tracks	Minimum Width	Minimum Height	Maximum Width	Maximum Height
Standard Multislides	XXO or OXX	3	45.25	39	145.9375	96
	XXXO or OXXX	4	58.5	39	191.5	96
Premium Multislide Stacking Doors	XXO or OXX	3	52.5	39	181.5	96
					160.75	108
	XXXO or OXXX	4	67.5	39	240	96
					212.375	108
OXX-XXO	3	102.125	39	336	96	
				319.5	108	
OXXX-XXXO	4	132.75	39	336	96	
				336	108	
					336	120



Series	Configuration	Tracks	Minimum Width	Minimum Height	Maximum Width	Maximum Height	Net Frame Width
Premium Multislide Pocket Doors	XP or PX	2	21	39	64	96	129
					57.125	108	115.25
	XXP or PXX	3	36.25	39	122.5	96	187.5
					108.5	108	166.5
	XXXP or PXXX	3	51.75	39	97.25	120	149.625
					181	96	246
	XXXXP or PXXXX	4	67	39	160.25	108	218.375
					143.25	120	195.625
PX-XP	3	40.25	39	239.5	96	304.5	
				211.75	108	269.75	
PXX-XXP	3	71	39	189.125	120	241.5	
				126.5	96	254.875	
PXXX-XXXP	3	101.75	39	112.5	108	227	
				101.25	120	204.375	
PXXXX-XXXXP	4	132.5	39	218.375	96	336	
				215.75	108	332	
PXXXX-XXXXP	4	132.5	39	193.125	120	298.125	
				244.5	96	336	
							244.5
							108
							336
							108
							336
							108
							336



Other frame types are available. Not to scale. All dimensions are approximate.



Pella® 250 Series

Premium Bifold Patio Doors



Air, Water, & Structural Performance

Performance Class & Grade Rating	Water Penetration Resistance	Air Infiltration	Design Pressure	Forced Entry ₁
LC-PG30	4.59 psf	1.57	30 psf	Meets ASTM F842-04

Thermal Performance

Vent Units

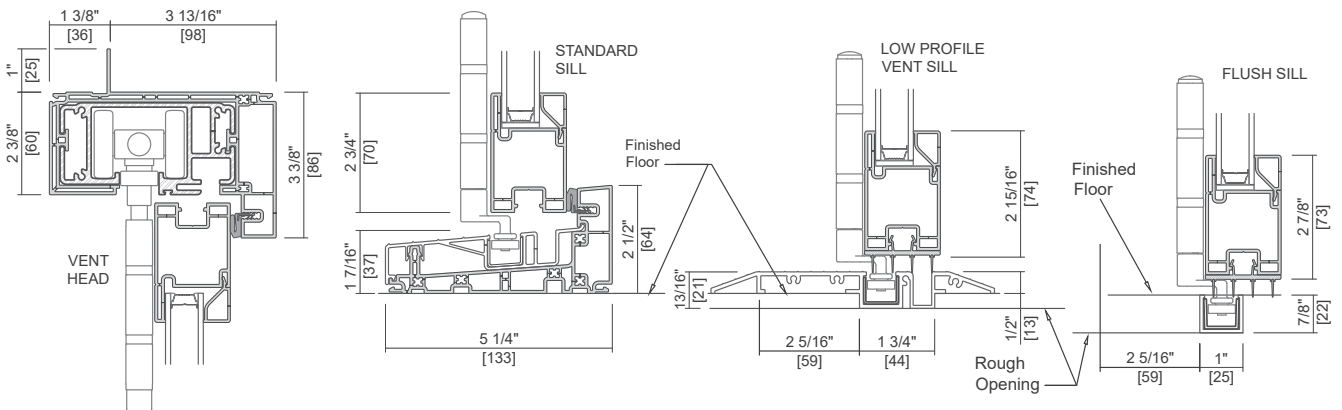
Glass Thickness	Type of Glazing (Argon fill)	U-Factor	SHGC	VLT %	CR	EnergyStar® Capable
Dual-Pane 7/8" overall glass thickness	Advanced Low-E IG	0.36	0.24 - 0.25	0.44 - 0.45	—	—
	SunDefense™ Low-E IG	0.35 - 0.36	0.19	0.41 - 0.42	—	—
Triple-Pane 1-1/4" overall glass thickness	SunDefense™ Low-E IG	0.28	0.16	0.30	—	—

Sound Performance

Frame Size Tested	Type of Glazing	STC	OITC
—	Dual-Pane 7/8" Overall	31	25
	Dual-Pane 7/8" Overall	31	26
	Triple-Pane 1-1/4" Overall	32	26

Code Approvals: AAMA/WDMA Certified

Performance varies based on actual product attributes. See the Performance section earlier in this manual to learn more about performance standards and ratings.



Other frame types are available. Not to scale. All dimensions are approximate.

Standard Sizes

Configuration	Width	Height	Call Width	Call Height
1.HL	37.75	95.5	38.25	96
1.HR	37.75	95.5	38.25	96
2.0.2	72.75	95.5	73.25	96
2.1P.1	73.75	95.5	74.25	96
2.1.1P	73.75	95.5	74.25	96
2.2.0	72.75	95.5	73.25	96
3.0.3	107.5625	95.5	108.0625	96
3.1.2	108.5625	95.5	109.0625	96
3.2.1	108.5625	95.5	109.0625	96
3.3.0	107.5625	95.5	108.0625	96
4.0.4	142.5	95.5	143	96
4.1P.3	143.5	95.5	144	96
4.1.3P	143.5	95.5	144	96
4.2.2	143.5	95.5	144	96
4.3P.1	143.5	95.5	144	96
4.3.1P	143.5	95.5	144	96
4.4.0	142.5	95.5	143	96
5.0.5	177.4375	95.5	177.9375	96
5.1.4	178.4375	95.5	178.9375	96
5.2.3	178.4375	95.5	178.9375	96
5.3.2	178.4375	95.5	178.9375	96
5.4.1	178.4375	95.5	178.9375	96
5.5.0	177.4375	95.5	177.9375	96
6.0.6	212.3125	95.5	212.8125	96
6.1P.5	213.3125	95.5	213.8125	96
6.1.5P	213.3125	95.5	213.8125	96
6.2.4	213.3125	95.5	213.8125	96
6.3P.3	213.3125	95.5	213.8125	96
6.3.3P	213.3125	95.5	213.8125	96
6.4.2	213.3125	95.5	213.8125	96
6.5P.1	213.3125	95.5	213.8125	96
6.5.1P	213.3125	95.5	213.8125	96
6.6.0	212.3125	95.5	212.8125	96
7.0.7	247.25	95.5	247.75	96
7.1.6	248.25	95.5	248.75	96
7.2.5	248.25	95.5	248.75	96
7.3.4	248.25	95.5	248.75	96
7.4.3	248.25	95.5	248.75	96
7.5.2	248.25	95.5	248.75	96
7.6.1	248.25	95.5	248.75	96
7.7.0	247.25	95.5	247.75	96
8.0.8	282.25	95.5	282.75	96
8.1P.7	283.25	95.5	283.75	96
8.1.7P	283.25	95.5	283.75	96
8.2.6	283.25	95.5	283.75	96
8.3P.5	283.25	95.5	283.75	96
8.3.5P	283.25	95.5	283.75	96
8.4.4	283.25	95.5	283.75	96
8.5P.3	283.25	95.5	283.75	96
8.5.3P	283.25	95.5	283.75	96
8.6.2	283.25	95.5	283.75	96
8.7P.1	283.25	95.5	283.75	96
8.7.1P	283.25	95.5	283.75	96
8.8.0	282.25	95.5	282.75	96

Special Sizes

Total Panel Count	Minimum Width	Minimum Height	Maximum Width	Maximum Height
2 Panel	41.25	78.125	96.5	84
			90.375	96
			80.25	108
			72.25	120
3 Panel	60.4375	78.125	143.5	84
			134.25	96
			119	108
			107	120
4 Panel	79.5	78.125	190.375	84
			178	96
			157.75	108
			141.75	120
5 Panel	98.75	78.125	237.25	84
			221.875	96
			196.5	108
			176.5	120
6 Panel	118	78.125	284	84
			265.5	96
			235.25	108
			211	120
7 Panel	137	78.125	288	84
			288	96
			274	108
			245.875	120
8 Panel	156.5	78.125	288	84
			288	96
			288	108
			280.625	120

Special sizes are available in 1/8" increments



Pella® 250 Series

Standard and Premium Bifold Pass-Through Windows



Standard Bifold Pass-Through Window

Air, Water, & Structural Performance	Performance Class & Grade Rating	Water Penetration Resistance	Air Infiltration		Design Pressure	Forced Entry ₁	
	Not Rated	—	—	—	—	—	—

Thermal Performance	Glass Thickness	Type of Glazing (Argon fill)	U-Factor	SHGC	VLT %	CR	EnergyStar® Capable
	Vent Units	Dual-Pane 7/8" overall glass thickness	Advanced Low-E IG	0.33 - 0.34	0.26 - 0.27	0.49 - 0.50	—
SunDefense™ Low-E IG			0.33	0.20	0.45 - 0.46	—	—
	Triple-Pane 1-1/4" overall glass thickness	SunDefense™ Low-E IG	0.25	0.17	0.33	—	—

Code Approvals: AAMA/WDMA Certified

Performance varies based on actual product attributes. See the Performance section earlier in this manual to learn more about performance standards and ratings.

Premium Bifold Pass-Through Window

Air, Water, & Structural Performance	Performance Class & Grade Rating	Water Penetration Resistance	Air Infiltration		Design Pressure	Forced Entry ₁	
	LC-PG30	4.59 psf	1.57	30 psf	Meets ASTM F842-04		

Thermal Performance	Glass Thickness	Type of Glazing (Argon fill)	U-Factor	SHGC	VLT %	CR	EnergyStar® Capable
	Vent Units	Dual-Pane 7/8" overall glass thickness	Advanced Low-E IG	0.36	0.24 - 0.25	0.44 - 0.45	—
SunDefense™ Low-E IG			0.35 - 0.36	0.19	0.41 - 0.42	—	—
	Triple-Pane 1-1/4" overall glass thickness	SunDefense™ Low-E IG	0.28	0.16	0.30	—	—

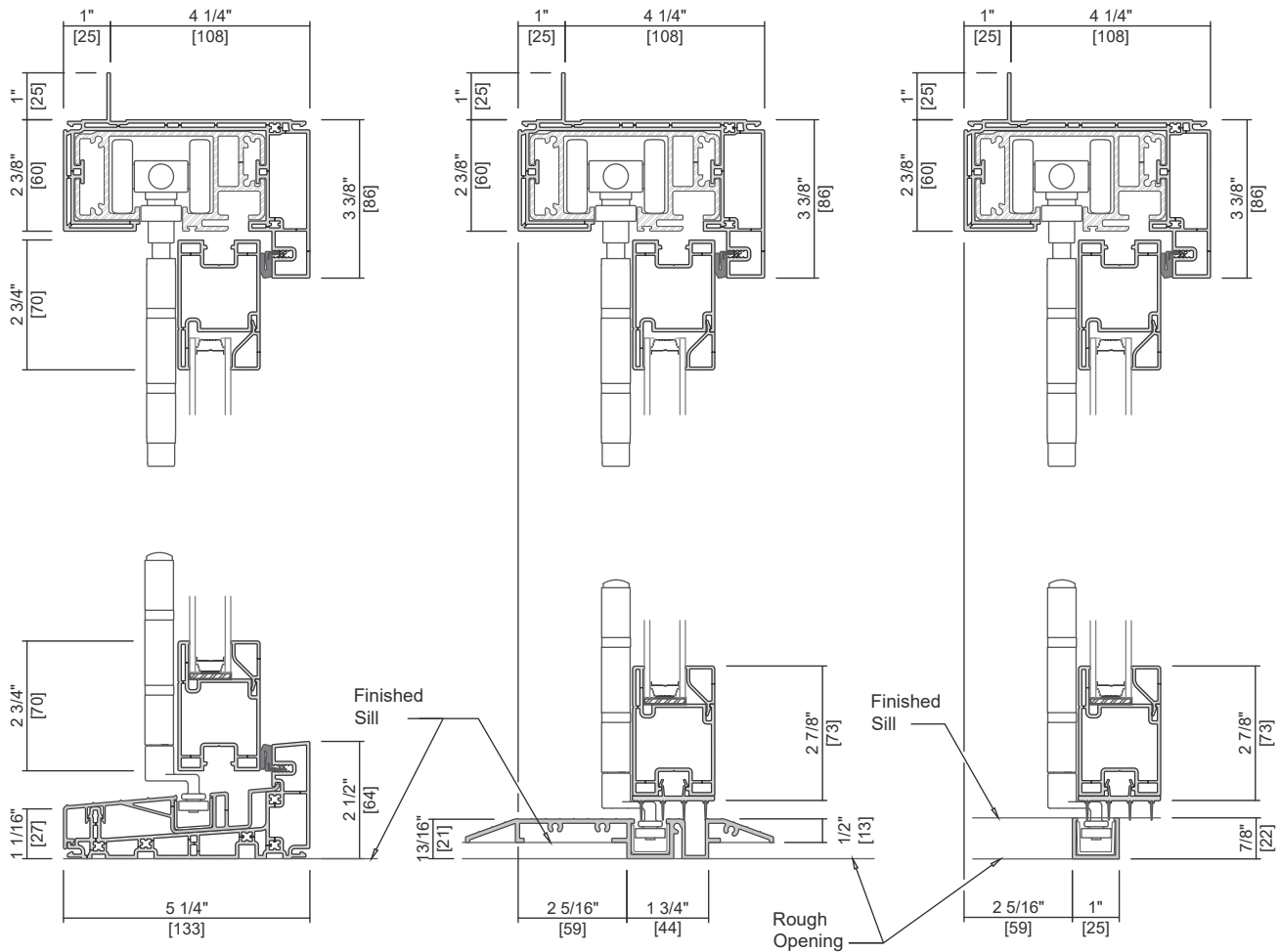
Sound Performance	Frame Size Tested	Type of Glazing		STC	OITC
	—	Dual-Pane 7/8" Overall	3mm / 3mm glass		31
		Dual-Pane 7/8" Overall		31	26
		Triple-Pane 1-1/4" Overall		32	26

Code Approvals: AAMA/WDMA Certified:

Performance varies based on actual product attributes. See the Performance section earlier in this manual to learn more about performance standards and ratings.

Standard Sizes

Series	Total Panel Count	Minimum Width	Minimum Height	Maximum Width	Maximum Height
Standard	2 Panel	35.25	34.5	75.125	78
	3 Panel	52	34.5	111.87	78
	4 Panel	67.5	34.5	147.5	78
	5 Panel	84.5	34.5	184.25	78
	6 Panel	100	34.5	219.75	78
Premium	2 Panel	41.25	34.5	96.5	78
	3 Panel	60.5	34.5	143.5	78
	4 Panel	79.5	34.5	190.375	78
	5 Panel	98.75	34.5	237.25	78
	6 Panel	118	34.5	284	78



Other frame types are available. Not to scale. All dimensions are approximate.