



General Information

Introduction	V-ID-2
Typical Sealant Placement Details.....	V-ID-3

Installation Accessories and Applications

Installation Accessories and Applications.....	V-ID-4
--	--------

New Construction Fin Installation Details

Wood Frame Construction with Vinyl Siding.....	V-ID-5
Wood Frame Construction with Wood Trim.....	V-ID-9
Wood Frame Construction with Brick Veneer.....	V-ID-11
Wood Frame Construction with Stucco.....	V-ID-12
Steel Stud Construction with Water-Managed Exterior Insulation and Finish System	V-ID-14

Renovation Details

Installation Details Pocket Replacement	
Double-Hung	RD-16
Single-Hung	RD-17
Installation Details Flush Flange Replacement	
Sliding Window	RD-19
Installation Details Full Frame Replacement	
Double-Hung	RD-20
Sliding Window	RD-21
Sliding Door	RD-22

The information published in this document is believed to be accurate at the time of publication. However, because we are constantly working to improve our products, specifications are subject to change without notice. Consult your local Pella representative for up-to-date product information.



Introduction

This section presents typical construction details and available accessories for single units in new construction. And accessories, assembly systems and field measurement procedures required to meet the specific challenges of renovation and window replacement within existing construction.

The objectives of installation systems are to:

- Secure the attachment of the window to the wall
- Limit air and water infiltration
- Allow for expansion and contraction

Important

Determining and meeting the structural load requirements and design of the rough opening is the responsibility of the architect or engineer. Window frame systems are not designed to support additional elements or components of the building wall system.

Installation Methods

Integral Fins and Integral Fins with Integral J-mold are the two basic attachment methods for new construction Vinyl Windows and Doors Manufactured by Pella. Both methods require the units to be installed from the exterior of the building prior to the application of the exterior wall cladding.

- Integral Fin Installation—applicable when window units can be installed from the exterior prior to applying lap siding, brick veneer or other cladding material.
- Integral Fin with Integral J-Mold Installation—applicable when units can be installed from the exterior prior to applying vinyl, aluminum or steel siding.

Block Frame design Vinyl Windows and Doors Manufactured by Pella can be used in the following replacement methods. These methods allow for flexibility in replacing windows in different wall conditions.

- Pocket Replacement System—is a fully assembled window that slides easily into the existing wood double-hung sash "pocket" created when the old sash is removed. This is done without damaging surrounding trim, wall paper, paint or plaster. Custom-built units are made to order in 1/4" increments to fit your existing window opening.
- Flush Flange System—is designed for replacing existing aluminum or steel frame windows and patio doors in typical California hard coat stucco exterior applications, without removing the existing frame. Existing window frame and weep system must remain in place. For patio doors, the existing door frame head and jambs must remain in place, however the existing door sill must be removed. Custom-built units are made to order in 1/4" increments to fit your existing opening.
- Full Frame Replacement—requires the complete removal of the existing window or patio door.

Encompass by Pella® vinyl window products are intended only for use less than 40 feet above ground level.



Encompass by Pella® Installation Details

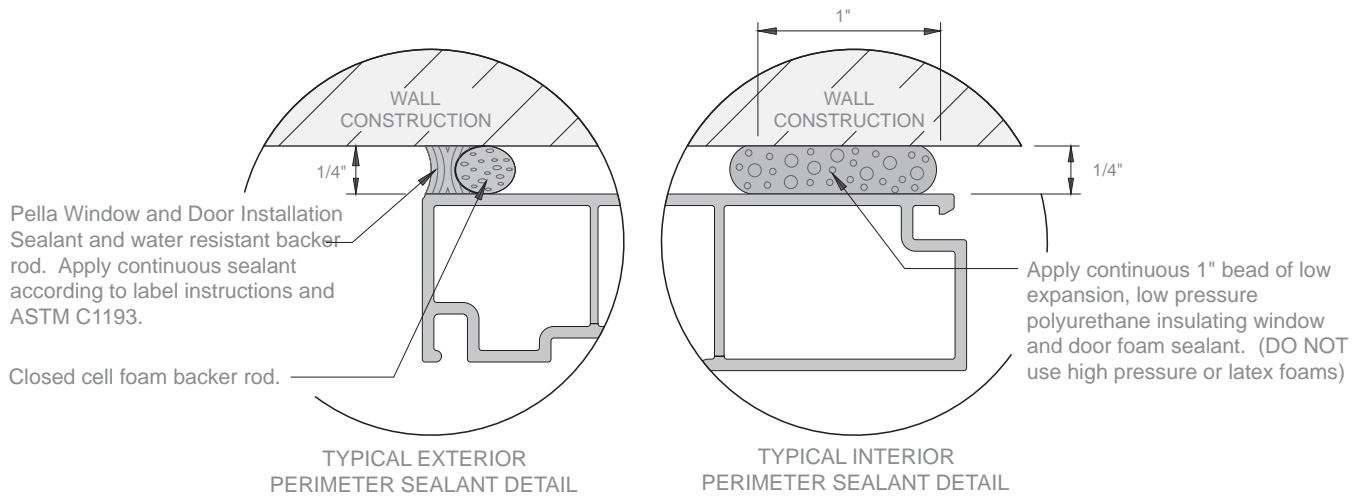
Typical Sealant Placement Details

Proper application of perimeter sealant to prevent leakage around windows and doors is the responsibility of the installer.

Use Pella Window and Door Installation Sealant or equivalent high quality, multi-purpose sealant. Typical sealant placement details are shown below. Apply sealants according to their label directions and ASTM C1193.

Special Note

Some manufacturers of sealants recommend or require the use of primers to ensure adequate adhesion to painted porous surfaces.



Installation Accessories

Accessory	Individual Part No.	Box / Doc. No.
3"-Wide SmartFlash® Installation Tape (150' rolls)	850H0000	OCFV
6"-Wide SmartFlash® Installation Tape (50' rolls)	850H0004	01FM



SmartFlash® INSTALLATION TAPE
(FOIL BACKED BUTYL)
#850H



General Notes on Fin Installation

When to Use this Installation Method

This installation is best for construction methods that will permit the unit to be installed from the exterior prior to the lap siding or other similar material.

There are different fin installations to consider:

- Integral Nailing Fin Design — features a continuous fin allowing the window frame to be integrated into the building's weather resistive wrap using the Pella SmartFlash™ Tape installation method. Intended for use with lap siding, brick veneer or other similar cladding material.
- Integral Fin with Integral J-Channel Design — features a continuous fin and J-Channel allowing the window frame to be integrated into the building's weather resistive wrap using the Pella SmartFlash Tape installation method. Intended for applications where the units can be installed from the exterior prior to the application of vinyl, steel or aluminum siding.

Important Installation Procedures

- When rigid insulation or other compressible sheathing is used, provide solid blocking for fin attachment.
- Shim unit in the opening plumb level and square.
- Provide a primary and secondary air and water seal around the perimeter of the unit.
 - Primary Seal—Seal the unit to the exterior finish material.
 - Secondary Seal—Apply Pella SmartFlash foil backed butyl window and door flashing tape (or equivalent) at rough opening sill and over installation fins at head and jambs in watershed order. See product installation instructions for step by step instructions.
- Interior Air Seal—Apply around the perimeter of the unit by applying a one inch deep bead of Low expansion, low pressure polyurethane insulating window and door foam sealant - (DO NOT use high pressure or latex foams).
- Commercial and/or large complex openings may require additional installation design considerations and attachments.
- See typical sealant placement details in this section.

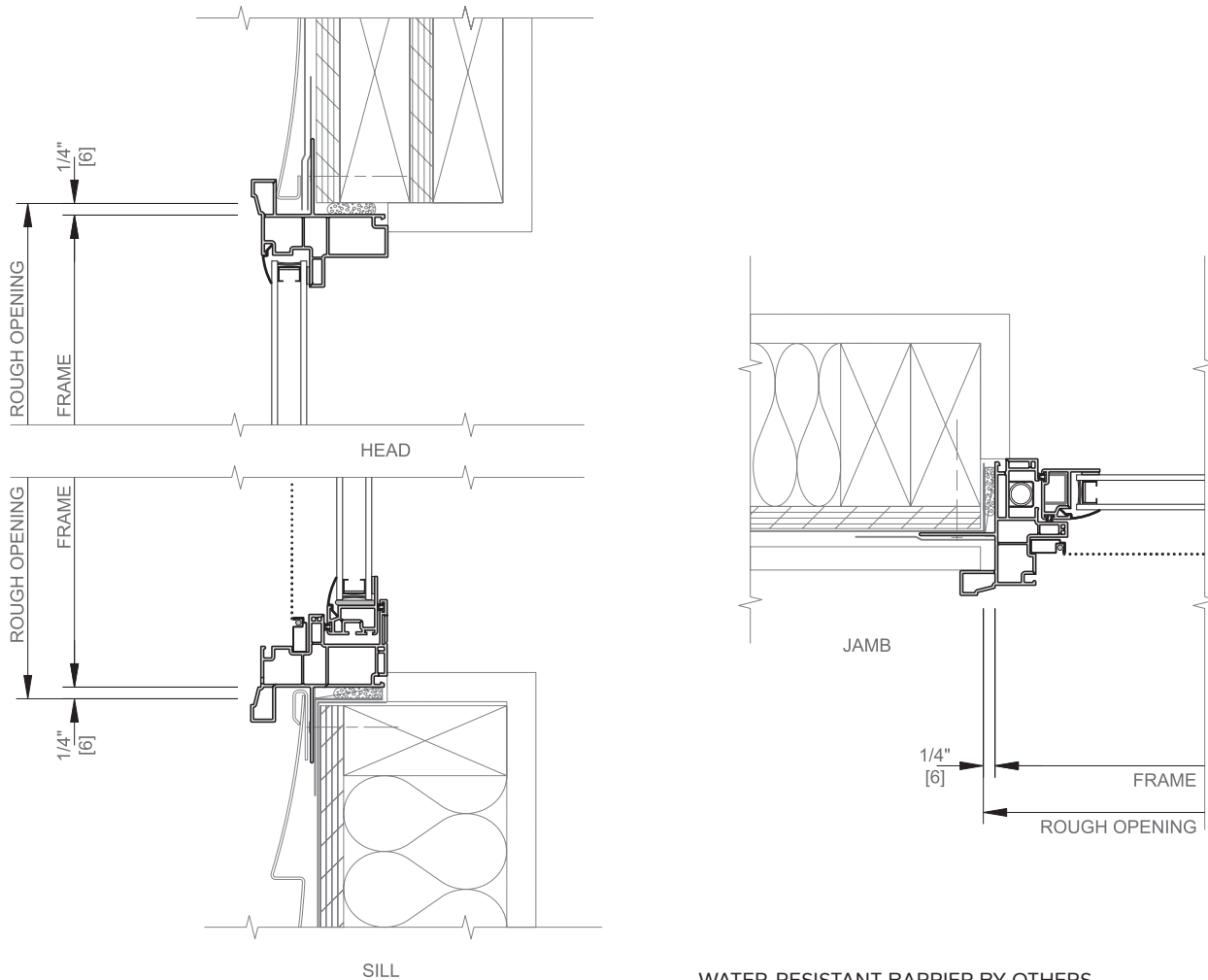
Notes

- Details shown are not intended to reflect complete installation procedures, however they do reflect basic installation concepts. Refer to window and door installation instructions provided with the product for step by step instructions.
- Details show various wall systems with different types of vinyl products. Details with other Pella products in the same wall construction should be similar.
- Figures in parentheses following or adjacent to dimensions are International (metric) equivalents in millimeters. For metric equivalents other than those shown, multiply dimensions in inches by 25.4.
- Your local Pella sales representative can assist with other more complex and unique applications.



Encompass by Pella® Installation Details

Single-Hung with Integral Fin and J-Mold Wood Frame Construction with Vinyl Siding



WATER-RESISTANT BARRIER BY OTHERS

Continuous water-resistive barrier attached to the wall sheathing.

Attach unit to wall construction with nails or screws at every other pre-punched hole in the installation fin.

PELLA SMARTFLASH™ INSTALLATION TAPE

Integrate the window and door flashing tape into the wall system.

PELLA WINDOW AND DOOR INSTALLATION SEALANT AND WATER RESISTANT BACKER ROD.

Apply continuous sealant according to label directions and ASTM C1193.

LOW EXPANSION, LOW PRESSURE POLYURETHANE INSULATING WINDOW AND DOOR FOAM SEALANT - (DO NOT USE HIGH PRESSURE OR LATEX FOAMS)

Apply a continuous 1" bead of insulating foam to provide a full interior seal.

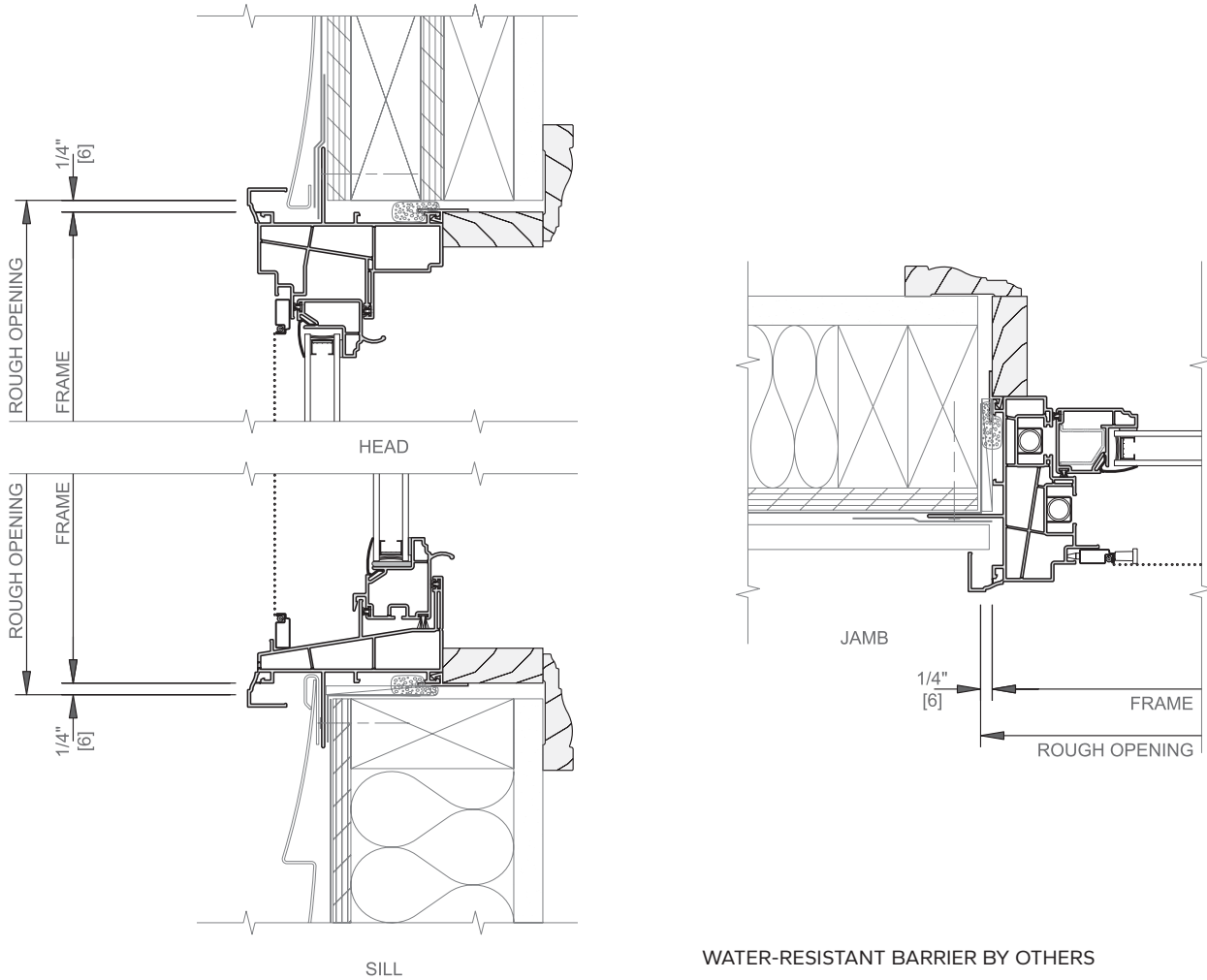
Scale 3" = 1' 0"

- Items in bold are available from Pella.
- These details are for typical single punch openings.
- See page V-ID-3 for typical sealant details.
- Refer to the appropriate Vinyl Window and Door Manufactured by Pella Installation Instruction for step-by-step instructions.



Encompass by Pella® Installation Details

Double-Hung with Integral Fin and J-Channel Wood Frame Construction with Vinyl Siding (2-9/16" wall depth)



WATER-RESISTANT BARRIER BY OTHERS

Continuous water-resistive barrier attached to the wall sheathing.

Attach unit to wall construction with nails or screws at every other pre-punched hole in the installation fin.

PELLA SMARTFLASH™ INSTALLATION TAPE

Integrate the window and door flashing tape into the wall system.

LOW EXPANSION, LOW PRESSURE POLYURETHANE INSULATING WINDOW AND DOOR FOAM SEALANT - (DO NOT USE HIGH PRESSURE OR LATEX FOAMS)

Apply a continuous 1" bead of insulating foam to provide a full interior seal.

FACTORY APPLIED JAMB EXTENSION (OPTIONAL)

PELLA 2-1/2 COLONIAL-1 TRIM (#30AX) (OPTIONAL)

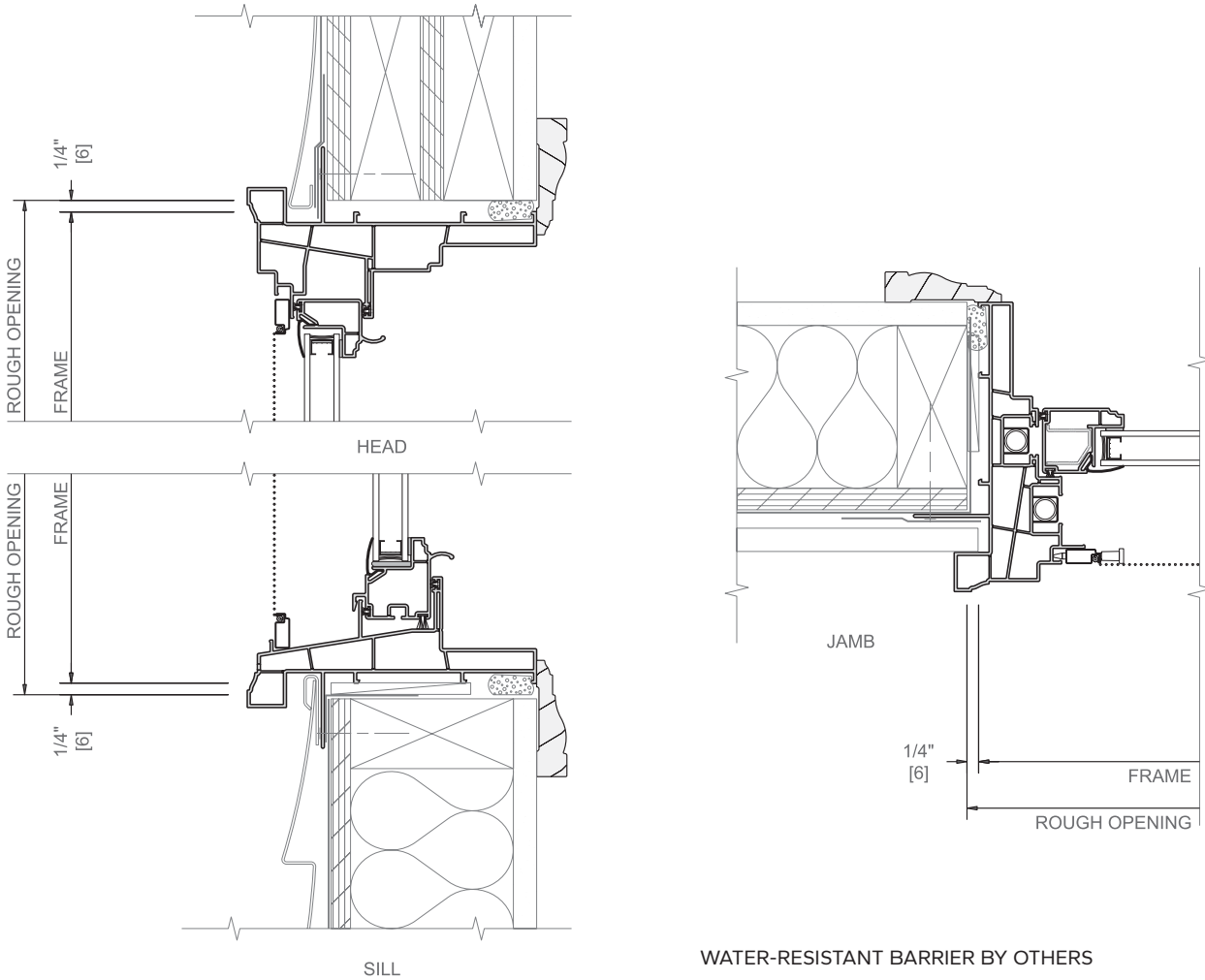
Scale 3" = 1' 0"

- Items in bold are available from Pella.
- These details are for typical single punch openings.
- See page V-ID-3 for typical sealant details.
- Refer to the appropriate Vinyl Window and Door Manufactured by Pella Installation Instruction for step-by-step instructions.



Encompass by Pella® Installation Details

Double-Hung with Integral Fin and J-Channel Wood Frame Construction with Vinyl Siding (4-9/16" wall depth)



WATER-RESISTANT BARRIER BY OTHERS

Continuous water-resistive barrier attached to the wall sheathing.

Attach unit to wall construction with nails or screws at every other pre-punched hole in the installation fin.

PELLA SMARTFLASH™ INSTALLATION TAPE

Integrate the window and door flashing tape into the wall system.

LOW EXPANSION, LOW PRESSURE POLYURETHANE INSULATING WINDOW AND DOOR FOAM SEALANT - (DO NOT USE HIGH PRESSURE OR LATEX FOAMS)

Apply a continuous 1" bead of insulating foam to provide a full interior seal.

PELLA 2-1/2 COLONIAL-1 TRIM (#30AX) (OPTIONAL)

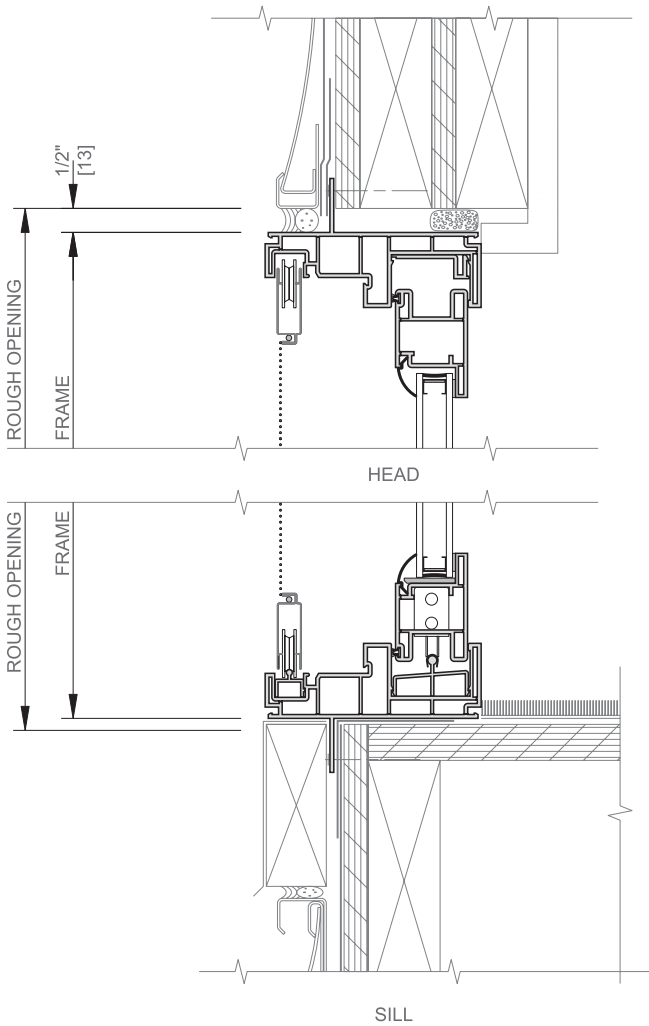
Scale 3" = 1' 0"

- Items in bold are available from Pella.
- These details are for typical single punch openings.
- See page V-ID-3 for typical sealant details.
- Refer to the appropriate Vinyl Window and Door Manufactured by Pella Installation Instruction for step-by-step instructions.



Encompass by Pella® Installation Details

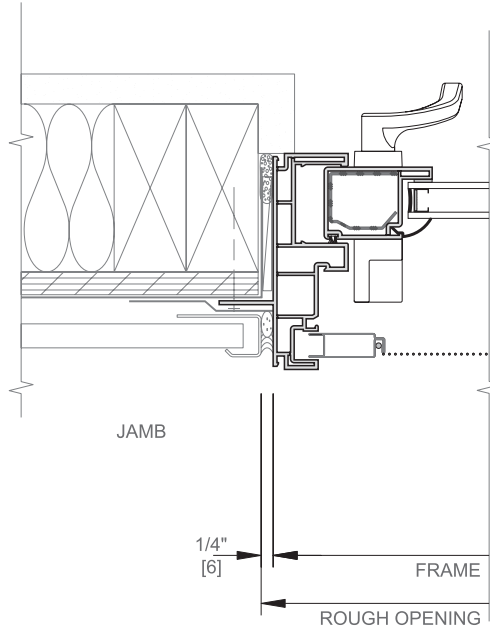
Sliding Door with Integral Fin Wood Frame Construction with Vinyl Siding



WATER-RESISTANT BARRIER BY OTHERS

Continuous water-resistive barrier attached to the wall sheathing.

Attach unit to wall construction with nails or screws at every other pre-punched hole in the installation fin.



PELLA SMARTFLASH™ INSTALLATION TAPE

Integrate the window and door flashing tape into the wall system.

PELLA WINDOW AND DOOR INSTALLATION SEALANT AND WATER RESISTANT BACKER ROD.

Apply continuous sealant according to label directions and ASTM C1193.

VINYL J-MOLD BY OTHERS

LOW EXPANSION, LOW PRESSURE POLYURETHANE INSULATING WINDOW AND DOOR FOAM SEALANT - (DO NOT USE HIGH PRESSURE OR LATEX FOAMS)

Apply a continuous 1" bead of insulating foam to provide a full interior seal.

2 x 4 BLOCKING AT SILL BY OTHERS

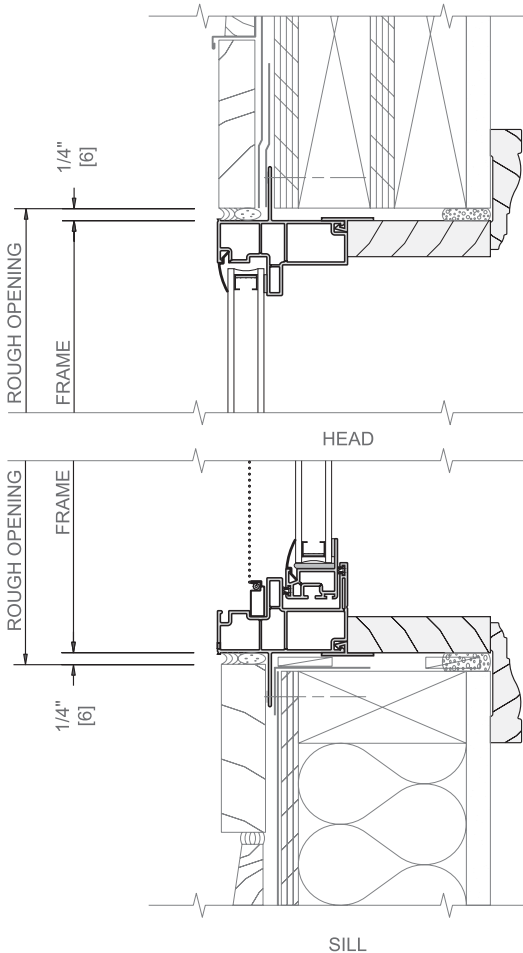
Scale 3" = 1' 0"

- Items in bold are available from Pella.
- These details are for typical single punch openings.
- See page V-ID-3 for typical sealant details.
- Refer to the appropriate Vinyl Window and Door Manufactured by Pella Installation Instruction for step-by-step instructions.



Encompass by Pella® Installation Details

Single-Hung with Integral Fin Wood Frame Construction with Wood Trim

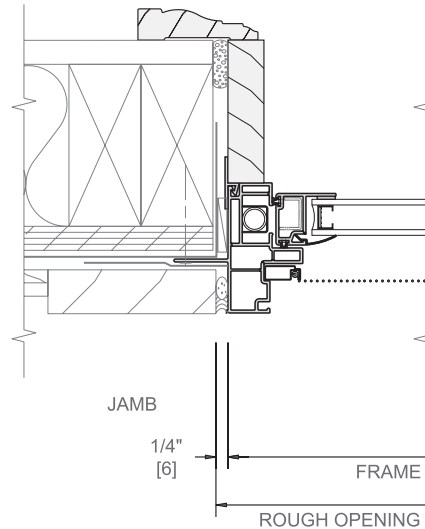


WATER RESISTANT BARRIER BY OTHERS

Continuous water-resistive barrier attached to the wall sheathing.

FLASHING BY OTHERS

Metal head flashing.



SHIM AND PLUMB UNITS AS REQUIRED BY OTHERS.

Attach unit to wall construction with nails or screws at every other pre-punched hole in the installation fin.

PELLA SMARTFLASH™ FOIL BACKED BUTYL WINDOW AND DOOR FLASHING TAPE

Integrate the window and door flashing tape into the wall system.

PELLA WINDOW AND DOOR INSTALLATION SEALANT AND WATER RESISTANT BACKER ROD.

Apply continuous sealant according to label directions and ASTM C1193.

LOW EXPANSION, LOW PRESSURE POLYURETHANE INSULATING WINDOW AND DOOR FOAM SEALANT - (DO NOT USE HIGH PRESSURE OR LATEX FOAMS)

Apply a continuous 1" bead of insulating foam to provide a full interior seal.

FACTORY APPLIED JAMB EXTENSION (OPTIONAL)

PELLA 2-1/2 COLONIAL-1 TRIM (#30AX) (OPTIONAL)

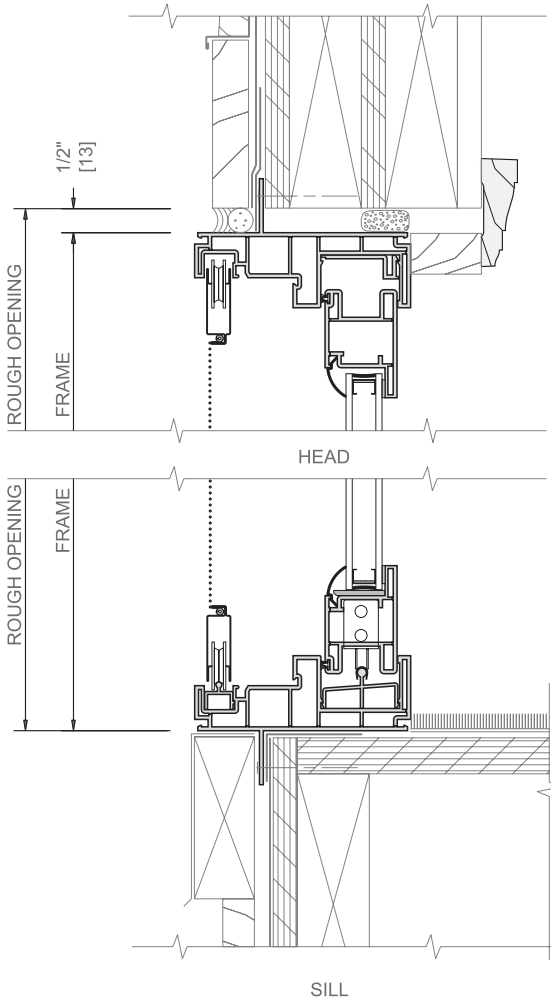
Scale 3" = 1' 0"

- Items in bold are available from Pella.
- These details are for typical single punch openings.
- See page V-ID-3 for typical sealant details.
- Refer to the appropriate Vinyl Window and Door Manufactured by Pella Installation Instruction for step-by-step instructions.



Encompass by Pella® Installation Details

Sliding Door with Integral Fin Wood Frame Construction with Wood Trim



WATER-RESISTANT BARRIER BY OTHERS

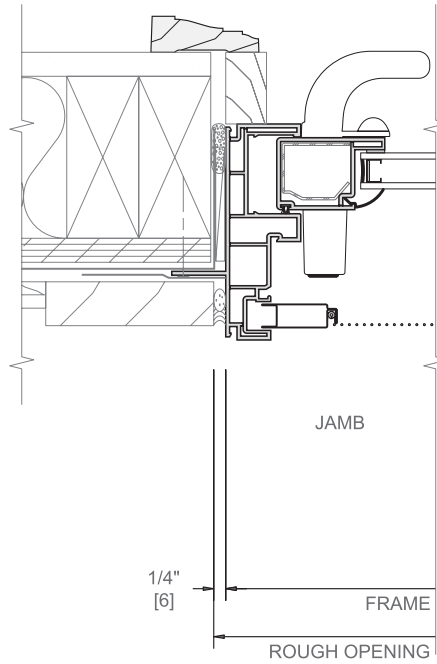
Continuous water-resistive barrier attached to the wall sheathing.

FLASHING BY OTHERS

Metal head flashing.

Metal sill flashing.

Attach unit to wall construction with nails or screws at every other pre-punched hole in the installation fin.



PELLA SMARTFLASH™ FOIL BACKED BUTYL WINDOW AND DOOR FLASHING TAPE

Integrate the window and door flashing tape into the wall system.

PELLA WINDOW AND DOOR INSTALLATION SEALANT AND WATER RESISTANT BACKER ROD.

Apply continuous sealant according to label directions and ASTM C1193.

LOW EXPANSION, LOW PRESSURE POLYURETHANE INSULATING WINDOW AND DOOR FOAM SEALANT - (DO NOT USE HIGH PRESSURE OR LATEX FOAMS)

Apply a continuous 1" bead of insulating foam to provide a full interior seal.

2" X 4" WOOD BLOCKING BY OTHERS

INTERIOR TRIM BY OTHERS

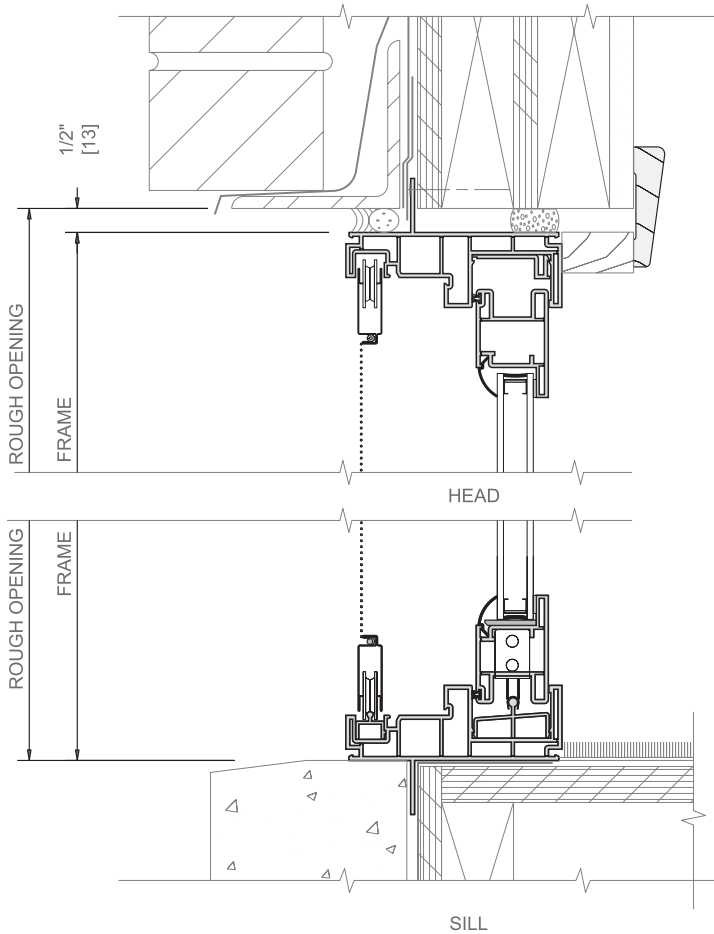
Scale 3" = 1' 0"

- Items in bold are available from Pella.
- These details are for typical single punch openings.
- See page V-ID-3 for typical sealant details.
- Refer to the appropriate Vinyl Window and Door Manufactured by Pella Installation Instruction for step-by-step instructions.



Encompass by Pella® Installation Details

Sliding Door with Integral Fin Wood Frame Construction with Brick Veneer

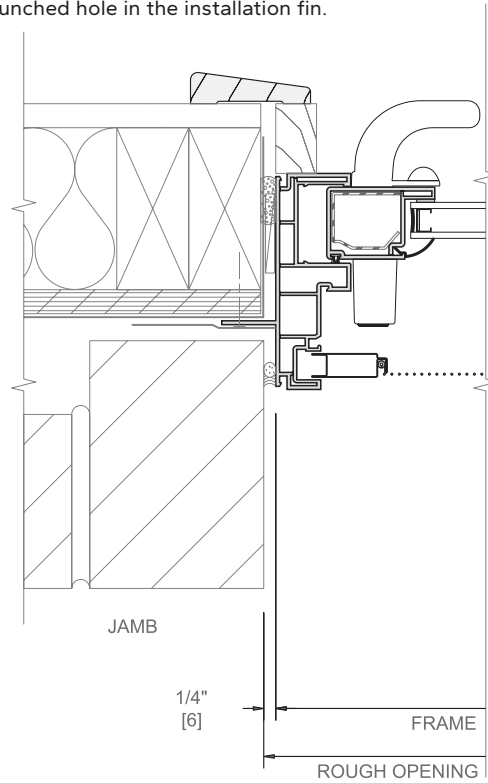


WATER-RESISTANT BARRIER BY OTHERS

Continuous water-resistive barrier attached to the wall sheathing.

THROUGH-WALL CAVITY FLASHING WITH WEEPS AT HEAD AND SILL BY OTHERS

Attach unit to wall construction with nails or screws at every other pre-punched hole in the installation fin.



PELLA SMARTFLASH™ FOIL BACKED BUTYL WINDOW AND DOOR FLASHING TAPE

Integrate the window and door flashing tape into the wall system.

Brick return at jamb to close cavity and provide backing for backer rod and sealant.

PELLA WINDOW AND DOOR INSTALLATION SEALANT AND WATER RESISTANT BACKER ROD.

Apply continuous sealant according to label directions and ASTM C1193.

LOW EXPANSION, LOW PRESSURE POLYURETHANE INSULATING WINDOW AND DOOR FOAM SEALANT - (DO NOT USE HIGH PRESSURE OR LATEX FOAMS)

Apply a continuous 1" bead of insulating foam to provide a full interior seal.

INTERIOR FLAT TRIM BY OTHERS

PELLA 2-1/2" RANCH-1 TRIM (#30AY) (OPTIONAL)

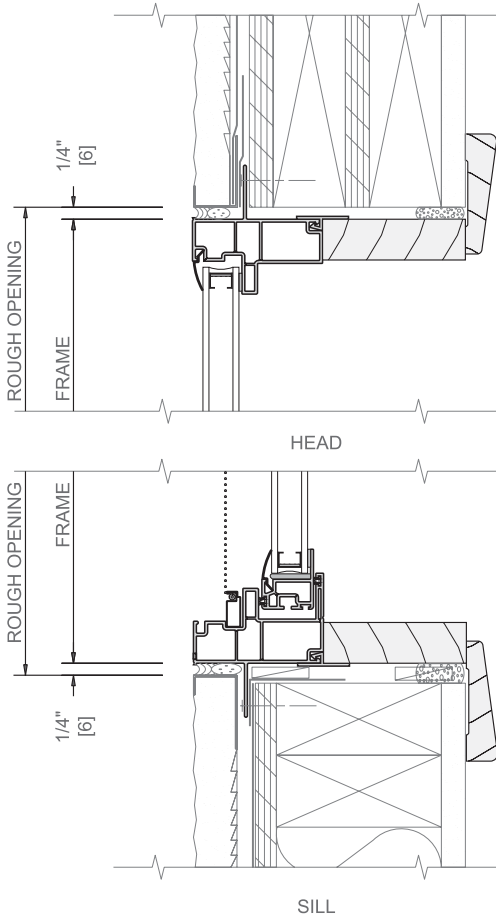
Scale 3" = 1' 0"

- Items in bold are available from Pella.
- These details are for typical single punch openings.
- See page V-ID-3 for typical sealant details.
- Refer to the appropriate Vinyl Window and Door Manufactured by Pella Installation Instruction for step-by-step instructions.



Encompass by Pella® Installation Details

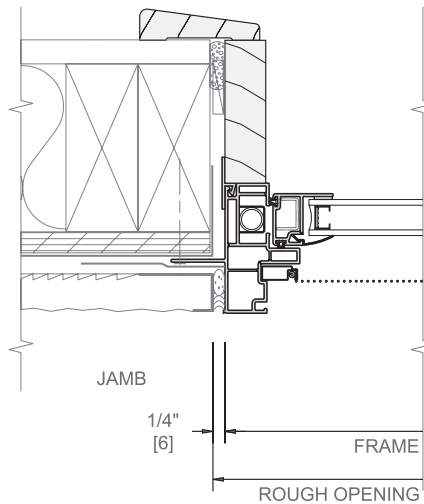
Single-Hung with Integral Fin Wood Frame Construction with Stucco



WATER-RESISTANT BARRIER BY OTHERS

Continuous water-resistive barrier attached to the wall sheathing.

Attach unit to wall construction with nails or screws at every other pre-punched hole in the installation fin.



PELLA SMARTFLASH™ FOIL BACKED BUTYL WINDOW AND DOOR FLASHING TAPE

Integrate the window and door flashing tape into the wall system.

STUCCO J-MOLD BY OTHERS

PELLA WINDOW AND DOOR INSTALLATION SEALANT AND WATER RESISTANT BACKER ROD.

Apply continuous sealant according to label directions and ASTM C1193.

LOW EXPANSION, LOW PRESSURE POLYURETHANE INSULATING WINDOW AND DOOR FOAM SEALANT - (DO NOT USE HIGH PRESSURE OR LATEX FOAMS)

Apply a continuous 1" bead of insulating foam to provide a full interior seal.

FACTORY APPLIED JAMB EXTENSION (OPTIONAL)

PELLA 2-1/2" RANCH-1 TRIM (#30AY) (OPTIONAL)

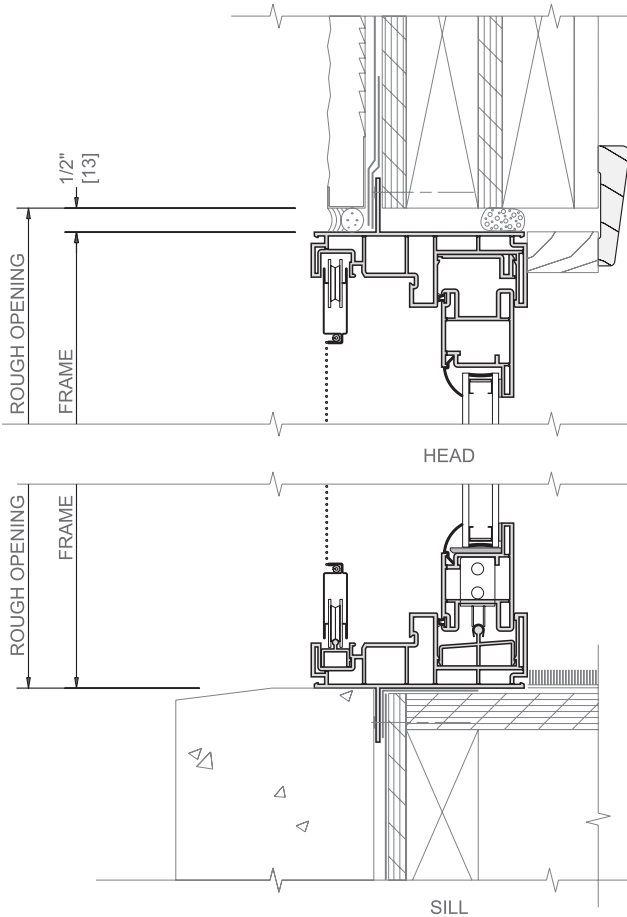
Scale 3" = 1' 0"

- Items in bold are available from Pella.
- These details are for typical single punch openings.
- See page V-ID-3 for typical sealant details.
- Refer to the appropriate Vinyl Window and Door Manufactured by Pella Installation Instruction for step-by-step instructions.



Encompass by Pella® Installation Details

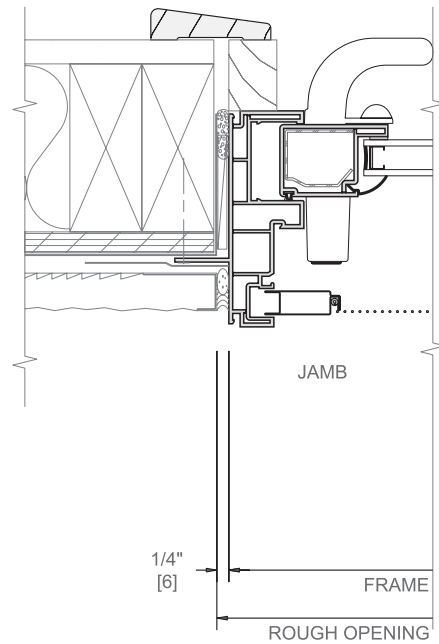
Sliding Door with Integral Fin Wood Frame Construction with Stucco



WATER-RESISTANT BARRIER BY OTHERS

Continuous water-resistive barrier attached to the wall sheathing.

Attach unit to wall construction with nails or screws at every other pre-punched hole in the installation fin.



PELLA SMARTFLASH™ FOIL BACKED BUTYL WINDOW AND DOOR FLASHING TAPE

Integrate the window and door flashing tape into the wall system.

STUCCO J-MOLD BY OTHERS

PELLA WINDOW AND DOOR INSTALLATION SEALANT AND WATER RESISTANT BACKER ROD.

Apply continuous sealant according to label directions and ASTM C1193.

LOW EXPANSION, LOW PRESSURE POLYURETHANE INSULATING WINDOW AND DOOR FOAM SEALANT - (DO NOT USE HIGH PRESSURE OR LATEX FOAMS)

Apply a continuous 1" bead of insulating foam to provide a full interior seal.

INTERIOR FLAT TRIM BY OTHERS

PELLA 2-1/2" RANCH-1 TRIM (#30AY) (OPTIONAL)

NOTE: THESE DETAILS REFLECT GENERAL INSTALLATION CONCEPTS FOR TYPICAL CONSTRUCTION WITH WATER-MANAGED STUCCO PRODUCTS. DUE TO THE NUMBER OF DIFFERENT SYSTEMS AVAILABLE, NO ATTEMPT HAS BEEN MADE TO SHOW SPECIFIC FLASHING OR DRAINAGE DETAILS. CONSULT THE STUCCO MANUFACTURER FOR SPECIFIC DETAILING REQUIRED FOR THEIR WATER-MANAGED SYSTEM.

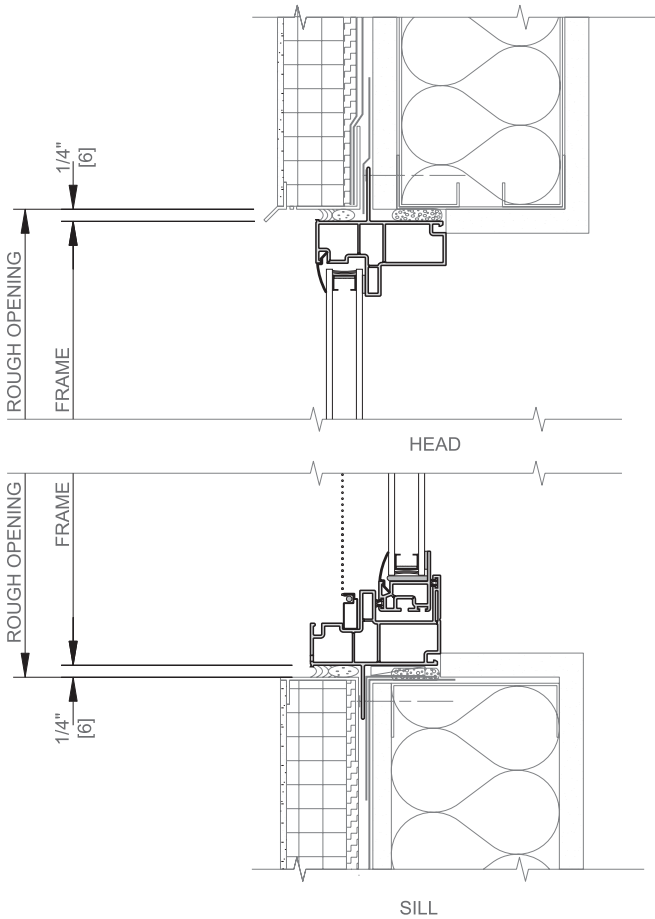
Scale 3" = 1' 0"

- Items in bold are available from Pella.
- These details are for typical single punch openings.
- See page V-ID-3 for typical sealant details.
- Refer to the appropriate Vinyl Window and Door Manufactured by Pella Installation Instruction for step-by-step instructions.



Encompass by Pella® Installation Details

Single-Hung with Integral Fin Steel Stud Construction with Water-Managed EIFS

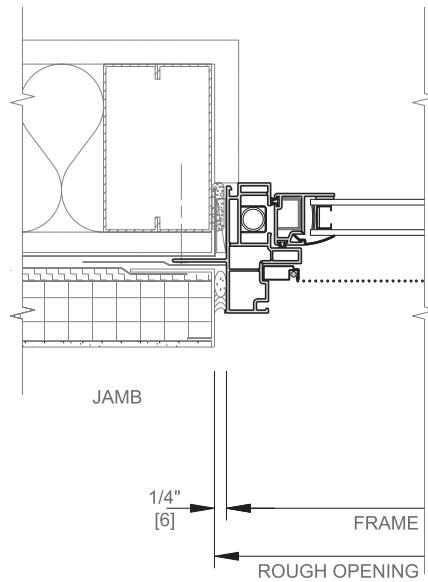


WATER-RESISTANT BARRIER BY OTHERS

Continuous water-resistive barrier attached to the wall sheathing.

FLASHING BY OTHERS

Metal head drip or sill flashing.



Attach unit to wall construction with nails or screws at every other pre-punched hole in the installation fin.

PELLA SMARTFLASH™ FOIL BACKED BUTYL WINDOW AND DOOR FLASHING TAPE

Integrate the window and door flashing tape into the wall system.

EIFS J-MOLD BY OTHERS

PELLA WINDOW AND DOOR INSTALLATION SEALANT AND WATER RESISTANT BACKER ROD.

Apply continuous sealant according to label directions and ASTM C1193.

LOW EXPANSION, LOW PRESSURE POLYURETHANE INSULATING WINDOW AND DOOR FOAM SEALANT - (DO NOT USE HIGH PRESSURE OR LATEX FOAMS)

Apply a continuous 1" bead of insulating foam to provide a full interior seal.

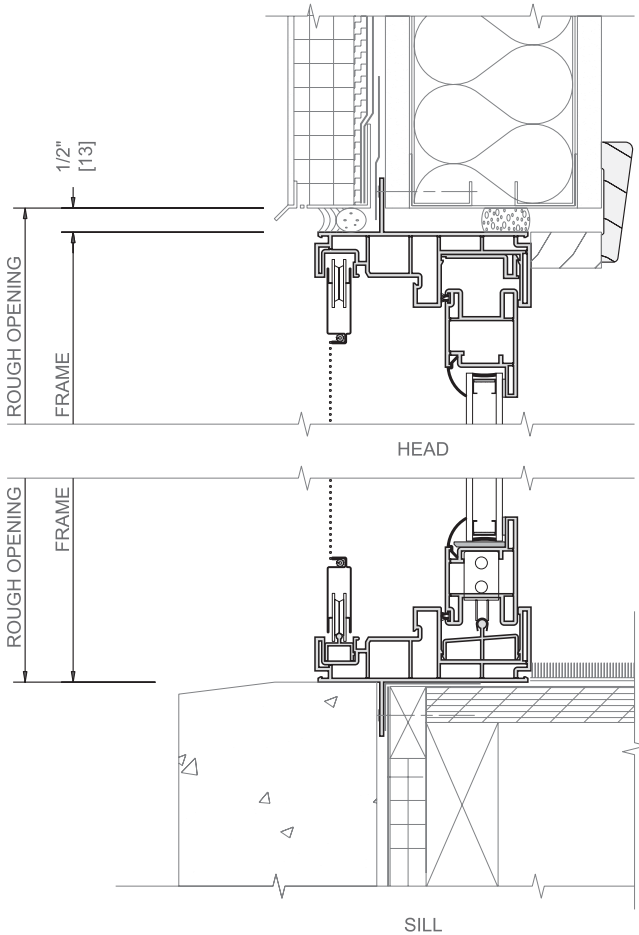
Scale 3" = 1' 0"

- Items in bold are available from Pella.
- These details are for typical single punch openings.
- See page V-ID-3 for typical sealant details.
- Refer to the appropriate Vinyl Window and Door Manufactured by Pella Installation Instruction for step-by-step instructions.



Encompass by Pella® Installation Details

Sliding Door with Integral Fin Steel Stud Construction with Water-Managed EIFS



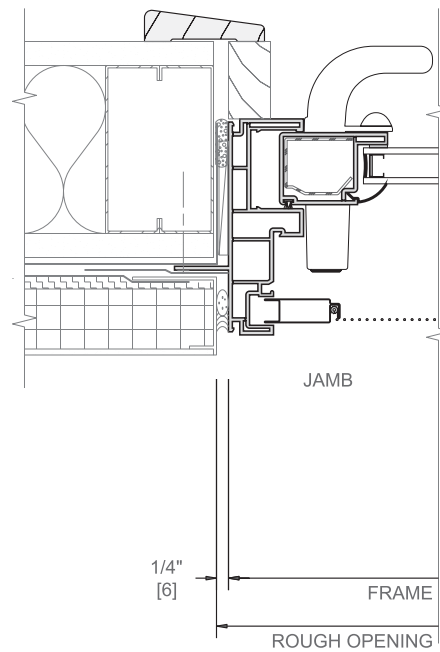
WATER-RESISTANT BARRIER BY OTHERS

Continuous water-resistive barrier attached to the wall sheathing.

FLASHING BY OTHERS

Metal head drip or sill flashing.

Attach unit to wall construction with nails or screws at every other pre-punched hole in the installation fin.



PELLA SMARTFLASH™ FOIL BACKED BUTYL WINDOW AND DOOR FLASHING TAPE

Integrate the window and door flashing tape into the wall system.

EIFS J-MOLD BY OTHERS

PELLA WINDOW AND DOOR INSTALLATION SEALANT AND WATER RESISTANT BACKER ROD.

Apply continuous sealant according to label directions and ASTM C1193.

LOW EXPANSION, LOW PRESSURE POLYURETHANE INSULATING WINDOW AND DOOR FOAM SEALANT - (DO NOT USE HIGH PRESSURE OR LATEX FOAMS)

Apply a continuous 1" bead of insulating foam to provide a full interior seal.

INTERIOR FLAT TRIM BY OTHERS

PELLA 2-1/2" RANCH-1 TRIM (#30AY) (OPTIONAL)

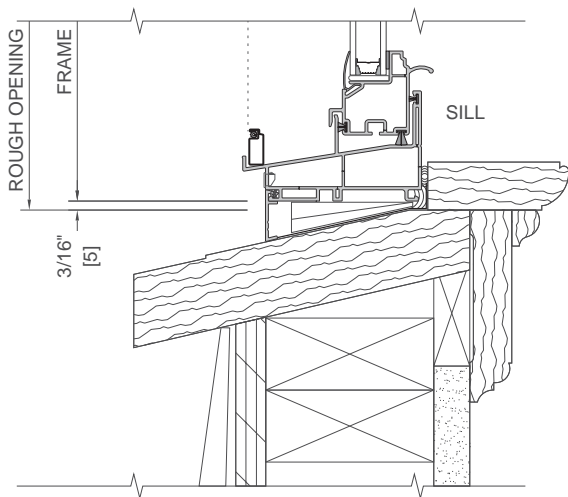
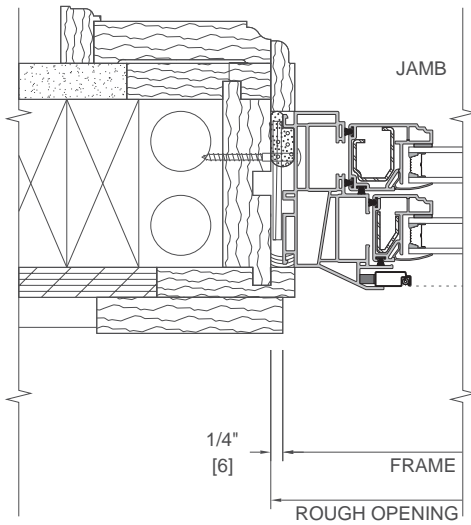
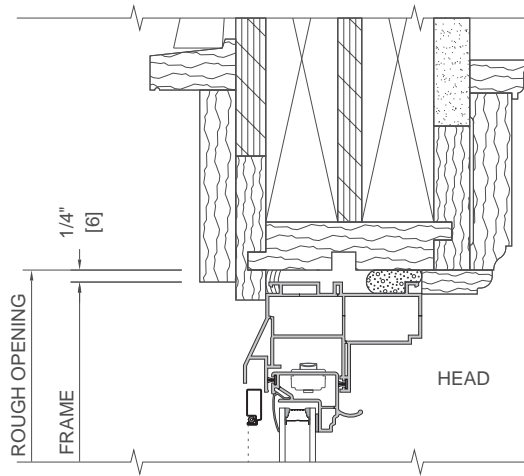
Scale 3" = 1' 0"

- Items in bold are available from Pella.
- These details are for typical single punch openings.
- See page V-ID-3 for typical sealant details.
- Refer to the appropriate Vinyl Window and Door Manufactured by Pella Installation Instruction for step-by-step instructions.



Encompass by Pella® Installation Details

Double-Hung Pocket Replacement East Region Only



VINYL WINDOW SLOPED SILL ADAPTER

Sloped sill adapter is attached to the sill of the window.

PELLA SMARTFLASH™ INSTALLATION TAPE

Flashing tape is applied at the sill.

SEALANT BY OTHERS.

LOW EXPANSION, LOW PRESSURE POLYURETHANE INSULATING WINDOW AND DOOR FOAM SEALANT - (DO NOT USE HIGH PRESSURE OR LATEX FOAMS).

Apply a continuous 1" bead of insulating foam to provide a full interior seal.

Scale 3" = 1' 0"

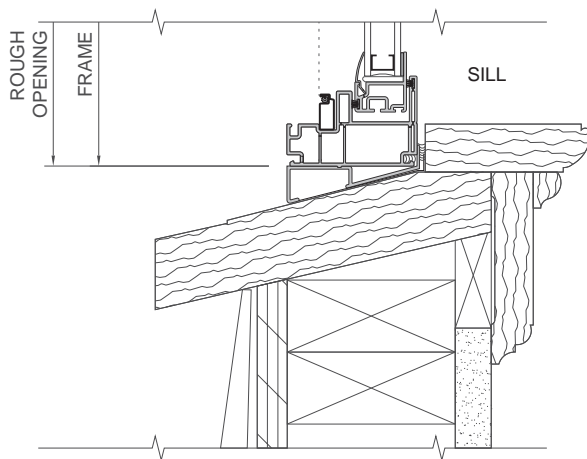
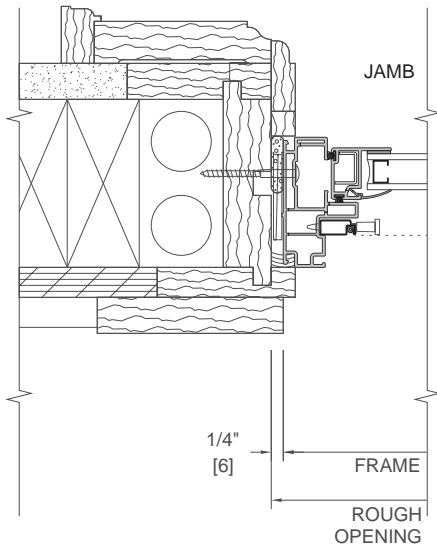
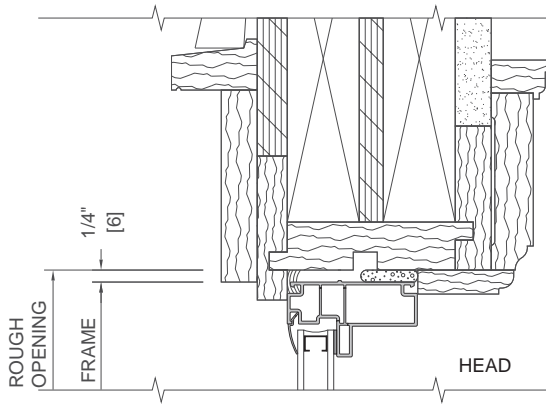
Items in bold are available from Pella.

These details are typical single punch openings.

Refer to the appropriate Vinyl windows and Doors Manufactured by Pella installation instruction for step by step instructions.



Single-Hung Pocket Replacement
West Region



VINYL WINDOW SLOPED SILL ADAPTER

Sloped sill adapter is attached to the sill of the window.

PELLA SMARTFLASH™ INSTALLATION TAPE

Flashing tape is applied at the sill.

SEALANT BY OTHERS.

LOW EXPANSION, LOW PRESSURE POLYURETHANE INSULATING WINDOW AND DOOR FOAM SEALANT - (DO NOT USE HIGH PRESSURE OR LATEX FOAMS).

Apply a continuous 1" bead of insulating foam to provide a full interior seal.

Scale 3" = 1' 0"

Items in bold are available from Pella.

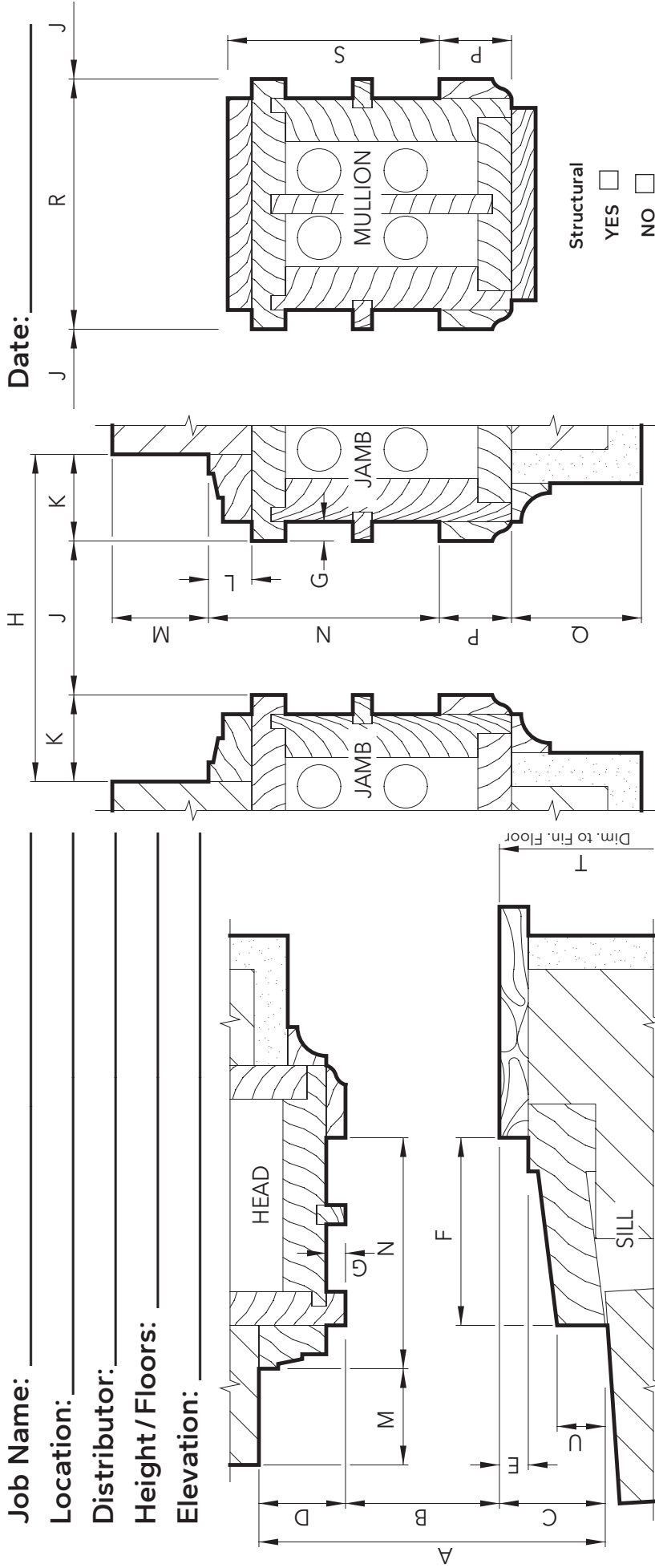
These details are typical single punch openings.

Refer to the appropriate Vinyl windows and Doors Manufactured by Pella installation instruction for step by step instructions.

WINDOW REPLACEMENT FIELD MEASUREMENT GUIDE

(For Existing Wood Double-Hung Windows)

Job Name: _____
 Location: _____
 Distributor: _____
 Height/Floors: _____
 Elevation: _____



NOTE If existing conditions are different than shown, draw and dimension profile on another sheet.

MARK	QUANTITY	A	B	C	D	E	F	G

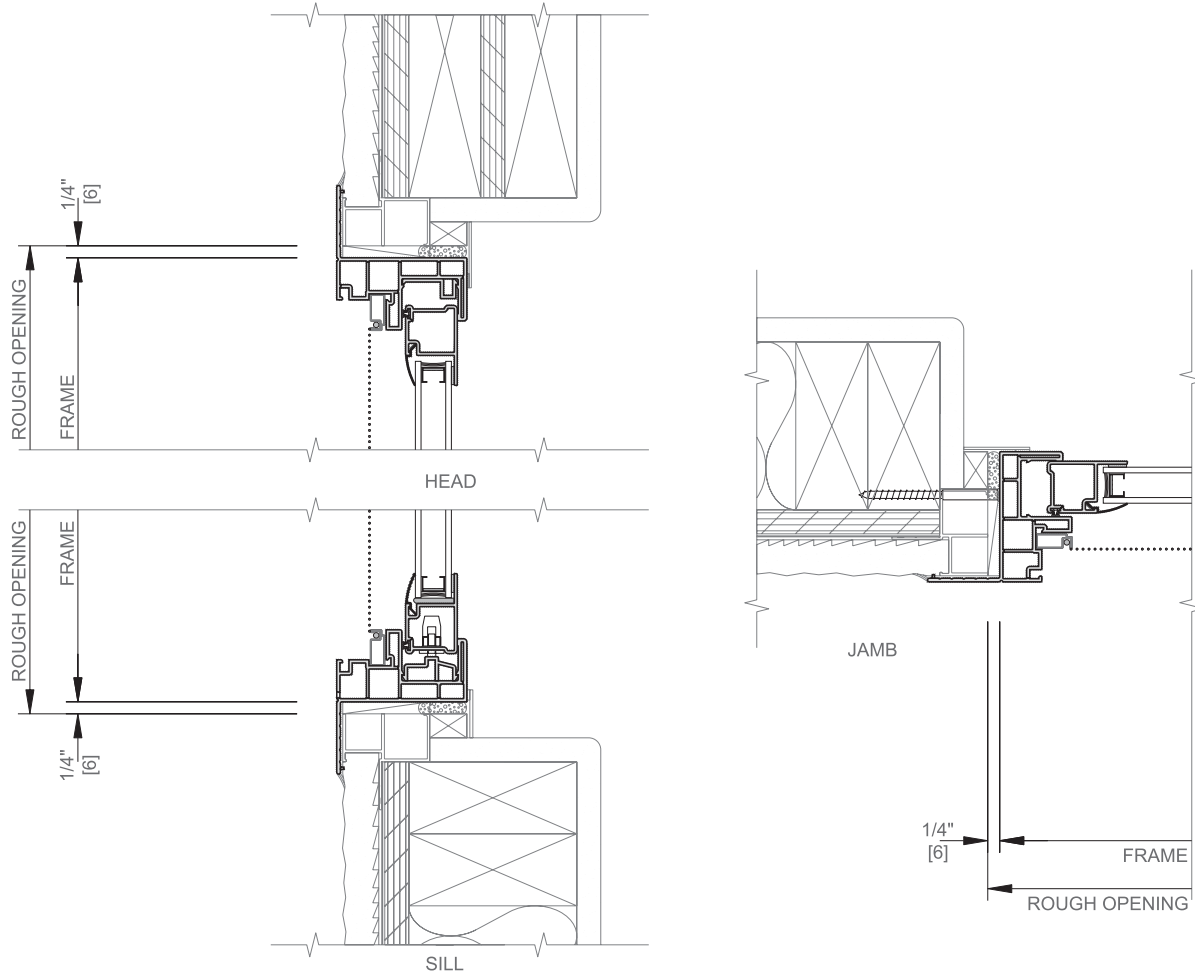
H	I	J	K	L	M	N	O	P	Q	R	S	T	U

Product Type: _____ Glazing: _____ Hardware/Option: _____
 Pella Corporation, Pella, IA Sheet Number _____ of _____



Sliding Window Flush Flange Replacement
West Region Only

This installation is designed for typical California hard coat stucco exterior applications. The installation requires the existing aluminum or steel window frame and weep system remain in place.



SEALANT BY OTHERS.

LOW EXPANSION, LOW PRESSURE POLYURETHANE INSULATING WINDOW AND DOOR FOAM SEALANT - (DO NOT USE HIGH PRESSURE OR LATEX FOAMS).

Apply a continuous 1" bead of insulating foam to provide a full interior seal.

WOOD BLOCKING BY OTHERS

INTERIOR VINYL TRIM BY OTHERS

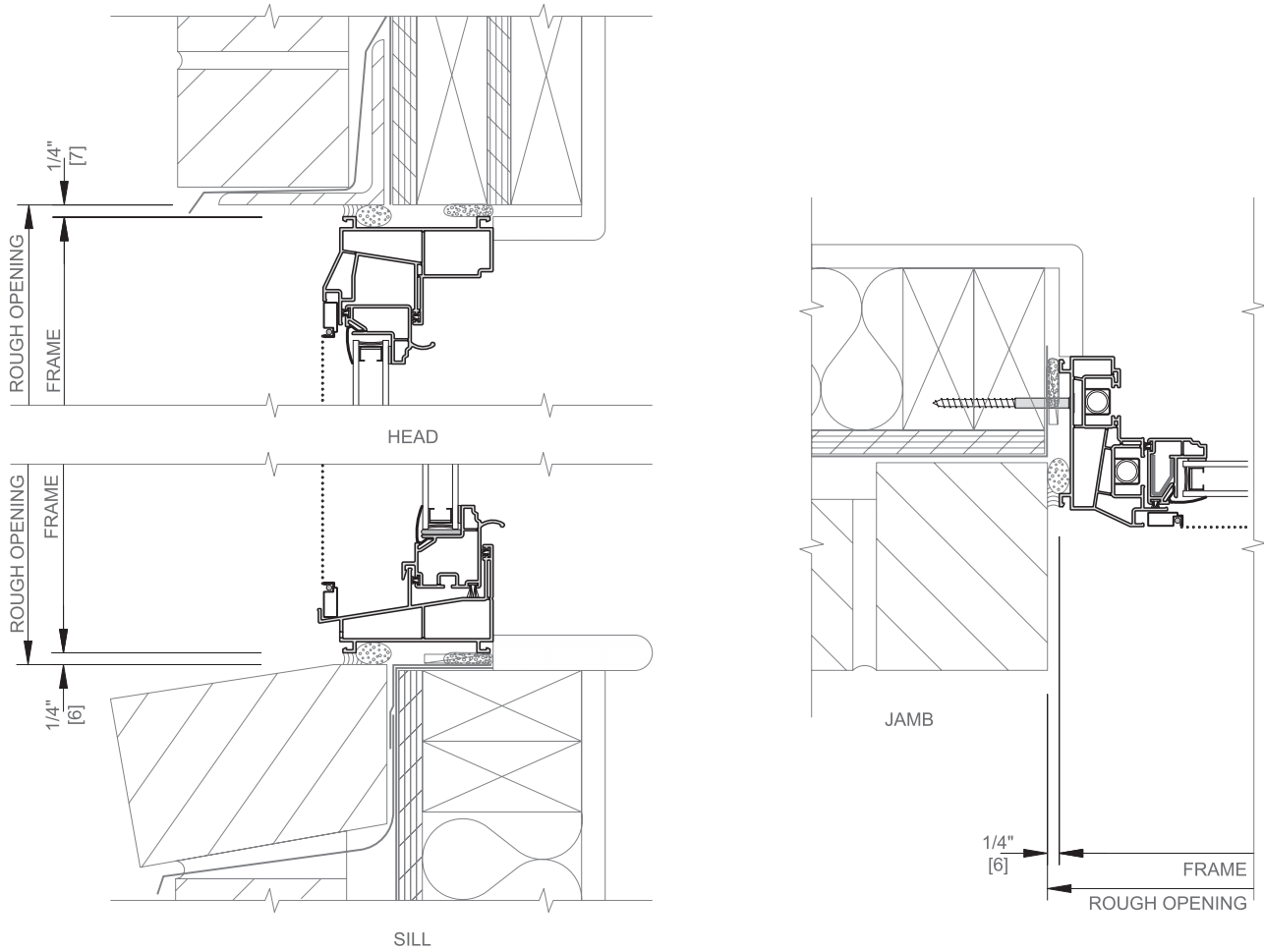
Items in bold are available from Pella.

These details are for typical single punch openings.

Refer to the appropriate Vinyl Windows and Doors Manufactured by Pella installation instruction for step by step instructions.



Double-Hung Window using Frame Screws Full Frame Replacement
Typical Existing Wood Frame Construction with Brick Veneer



SEE INSTALLATION INSTRUCTIONS FOR ANCHORAGE SCREW SIZE, LOCATION AND SPACING

PELLA SMARTFLASH™ INSTALLATION TAPE
Flashing tape is applied at the sill.

BACKER ROD AND SEALANT BY OTHERS.
Water-resistant backer rod & sealant.

LOW EXPANSION, LOW PRESSURE POLYURETHANE INSULATING WINDOW AND DOOR FOAM SEALANT - (DO NOT USE HIGH PRESSURE OR LATEX FOAMS).
Apply a continuous 1" bead of insulating foam to provide a full interior seal.

THROUGH-WALL CAVITY FLASHING WITH WEEPS AT HEAD AND SILL BY OTHERS.

Brick return at jamb to close cavity and provide backing for backer rod and sealant.

Scale 3" = 1' 0"

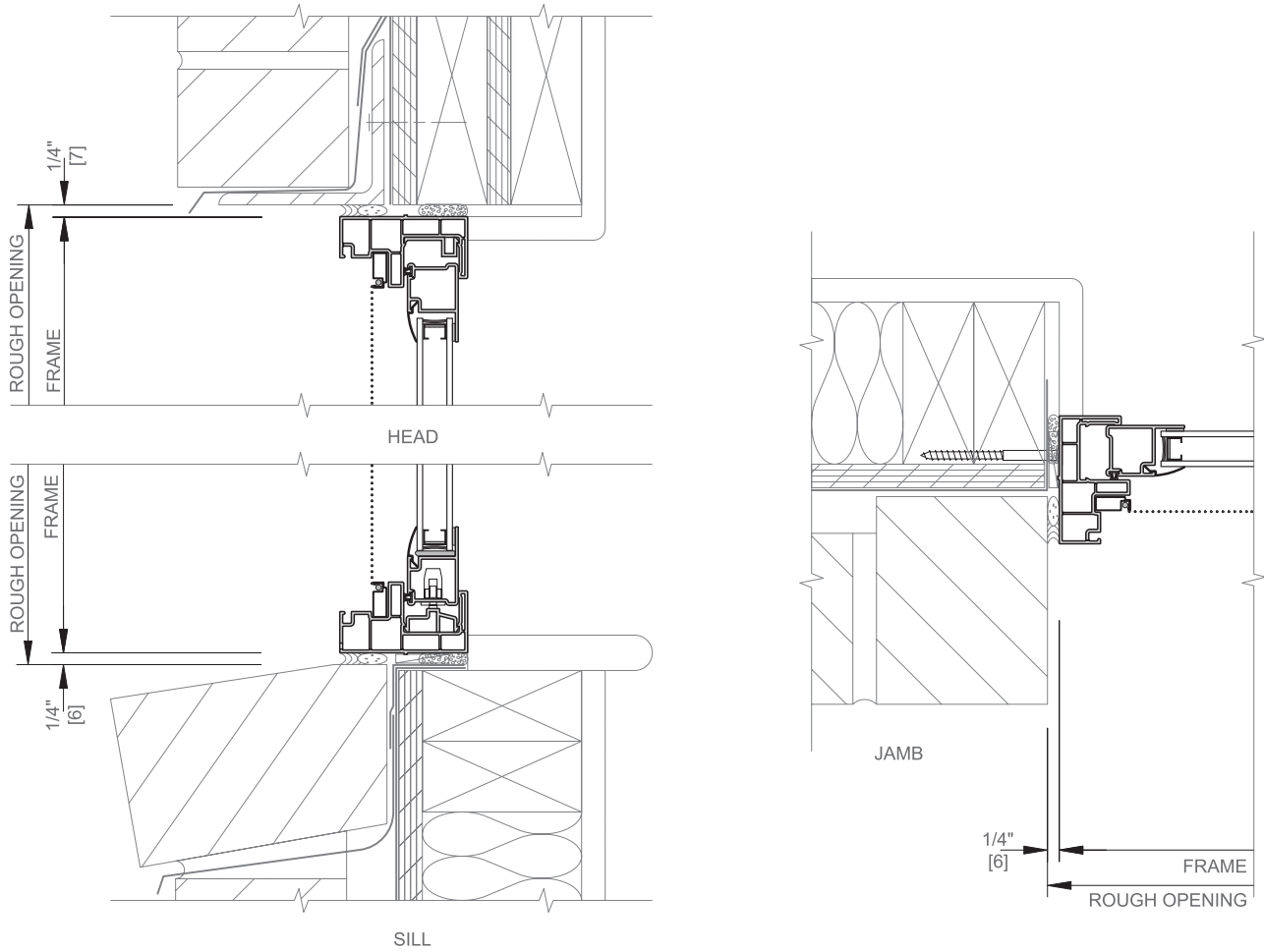
Items in bold are available from Pella.

These details are typical single punch openings.

Refer to the appropriate Vinyl windows and Doors Manufactured by Pella installation instruction for step by step instructions.



Sliding Window using Frame Screws Full Frame Replacement
Typical Existing Wood Frame Construction with Brick Veneer



THROUGH-WALL CAVITY FLASHING WITH WEEPS AT HEAD AND SILL BY OTHERS.

SEE INSTALLATION INSTRUCTIONS FOR ANCHORAGE SCREW SIZE, LOCATION AND SPACING.

PELLA SMARTFLASH™ INSTALLATION TAPE

Integrate the window and door flashing tape into the wall system.

Brick return at jamb to close cavity and provide backing for backer rod and sealant.

BACKER ROD AND SEALANT BY OTHERS

Water resistant backer rod and sealant.

LOW EXPANSION, LOW PRESSURE POLYURETHANE INSULATING WINDOW AND DOOR FOAM SEALANT - (DO NOT USE HIGH PRESSURE OR LATEX FOAMS).

Apply a continuous 1" bead of insulating foam to provide a full interior seal.

Scale 3" = 1' 0"

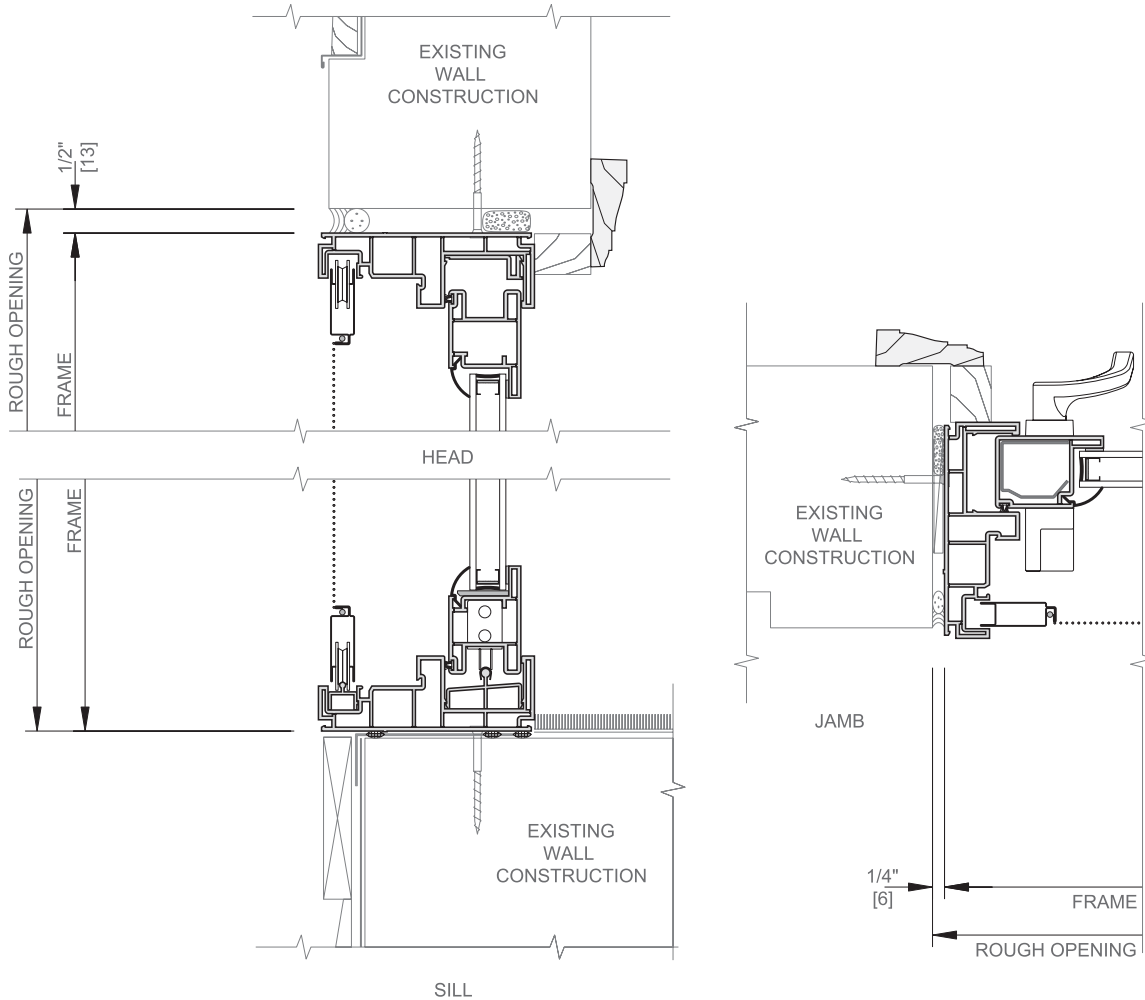
Items in bold are available from Pella.

These details are for typical single punch openings.

Refer to the appropriate Vinyl Windows and Doors Manufactured by Pella installation instruction for step by step instructions.



Sliding Door using Frame Screws Full Frame Replacement
Typical Existing Wood Frame Construction



FLASHING BY OTHERS

Metal head flashing.
Metal sill flashing.

Attach unit to wall construction with frame screws per the installation instruction.

PELLA SMARTFLASH™ FOIL BACKED BUTYL WINDOW AND DOOR FLASHING TAPE AT SILL

BACKER ROD AND SEALANT BY OTHERS
Water-resistant backer rod & sealant.

LOW EXPANSION, LOW PRESSURE POLYURETHANE INSULATING WINDOW AND DOOR FOAM SEALANT - (DO NOT USE HIGH PRESSURE OR LATEX FOAMS).

Apply a continuous 1" bead of insulating foam to provide a full interior seal.

WOOD BLOCKING BY OTHERS AT SILL TO SUPPORT FRAME

PELLA COLONIAL TRIM #31D0 (OPTIONAL)

INTERIOR FLAT TRIM BY OTHERS

Scale 3" = 1' 0"

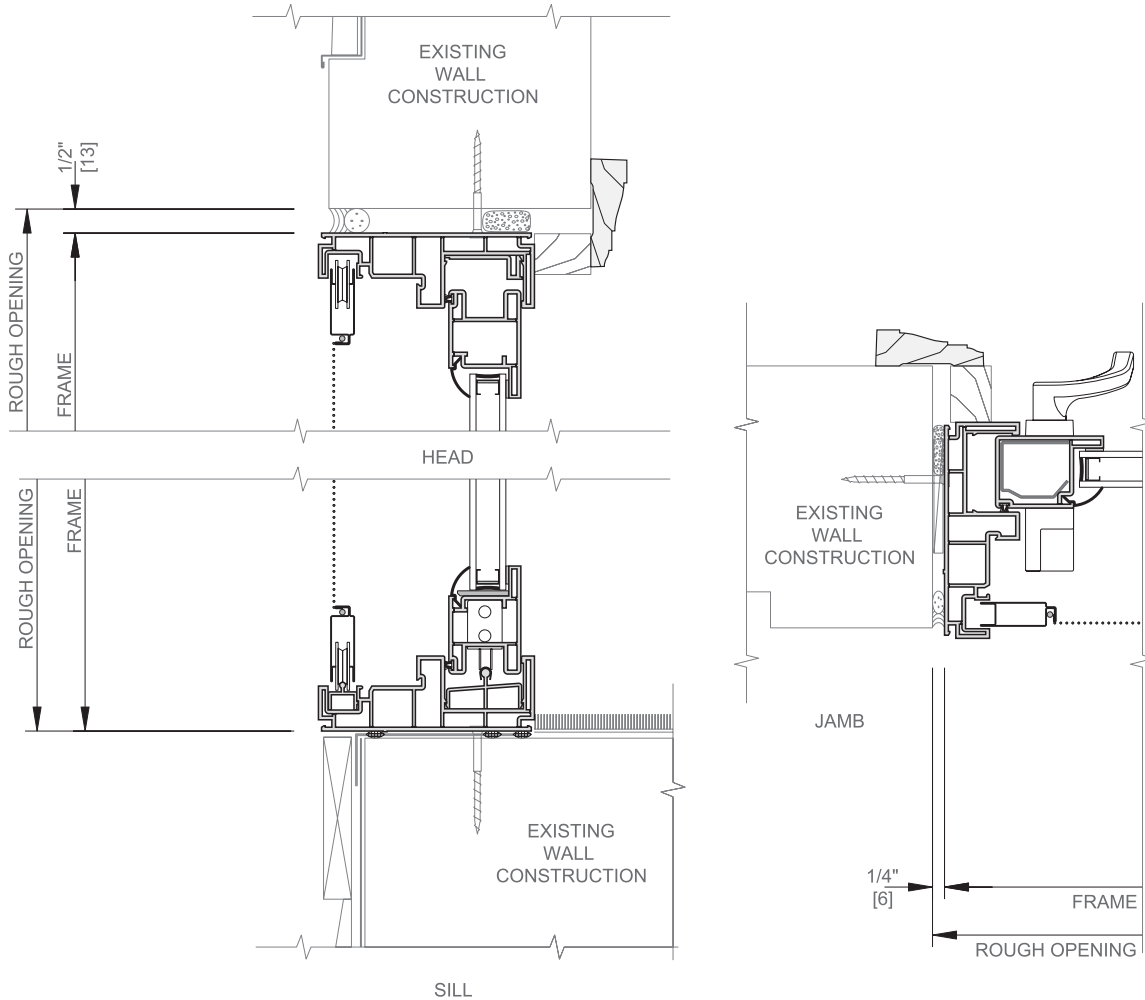
Items in bold are available from Pella.

These details are typical single punch openings.

Refer to the appropriate Vinyl windows and Doors Manufactured by Pella installation instruction for step by step instructions.



Sliding Door using Frame Screws Full Frame Replacement
Typical Existing Wood Frame Construction



FLASHING BY OTHERS

Metal head flashing.
Metal sill flashing.

Attach unit to wall construction with frame screws per the installation instruction.

PELLA SMARTFLASH™ INSTALLATION TAPE AT SILL

BACKER ROD AND SEALANT BY OTHERS
Water-resistant backer rod & sealant.

LOW EXPANSION, LOW PRESSURE POLYURETHANE INSULATING WINDOW AND DOOR FOAM SEALANT - (DO NOT USE HIGH PRESSURE OR LATEX FOAMS).

Apply a continuous 1" bead of insulating foam to provide a full interior seal.

WOOD BLOCKING BY OTHERS AT SILL TO SUPPORT FRAME

PELLA COLONIAL TRIM #31D0 (OPTIONAL)

INTERIOR FLAT TRIM BY OTHERS

Scale 3" = 1' 0"

Items in bold are available from Pella.

These details are for typical single punch openings.

Refer to the appropriate Vinyl Windows and Doors Manufactured by Pella installation instruction for step by step instructions.