



Introduction..... V-RR-2

Pocket Replacement

Installation Details

Double-Hung..... V-RR-3

Single-Hung..... V-RR-4

Flush Frame Replacement

Installation Details

Sliding Window..... V-RR-6

Full Frame Replacement

Installation Details

Double-Hung..... V-RR-7

Sliding Window..... V-RR-8

Sliding Door..... V-RR-9

The information published in this document is believed to be accurate at the time of publication. However, because we are constantly working to improve our products, specifications are subject to change without notice. Consult your local Pella representative for up-to-date product information.



Introduction

This section explores accessories, assembly systems and field measurement procedures required to meet the specific challenges of renovation and window replacement within existing construction.

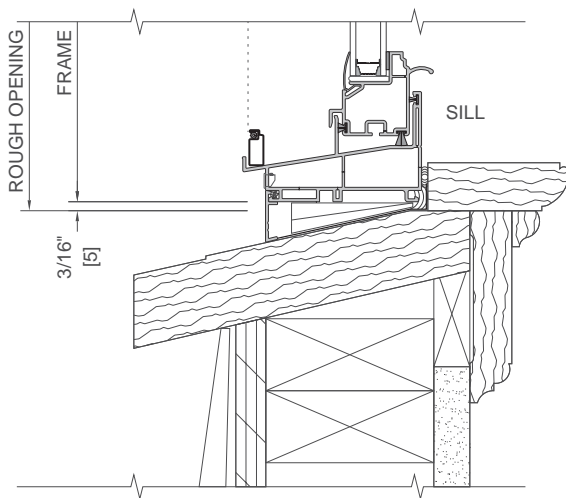
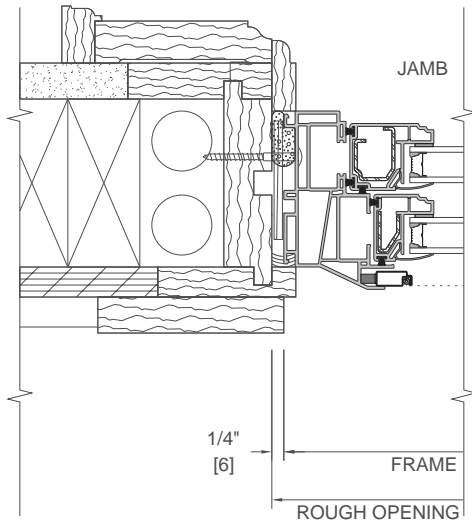
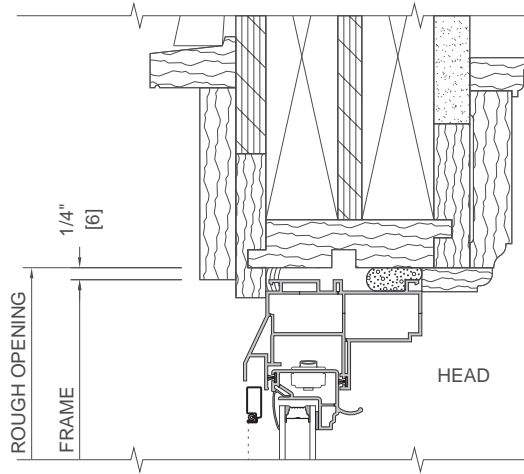
Vinyl Windows and Doors Manufactured by Pella are designed for three different replacement methods:

Pocket Replacement System - is a fully assembled window that slides easily into the existing wood double-hung sash "pocket" created when the old sash is removed. This is done without damaging surrounding trim, wall paper, paint or plaster. Custom-built units are made to order in 1/4" increments to fit your existing window opening.

Flush Flange System - is designed for replacing existing aluminum or steel frame windows and patio doors in typical California hard coat stucco exterior applications, without removing the existing frame. Existing window frame and weep system must remain in place. For patio doors, the existing door frame head and jambs must remain in place, however the existing door sill must be removed. Custom-built units are made to order in 1/4" increments to fit your existing opening.

Full Frame Replacement - requires the complete removal of the existing window or patio door.

Encompass by Pella® vinyl window products are intended only for use less than 40 feet above ground level.



VINYL WINDOW SLOPED SILL ADAPTER

Sloped sill adapter is attached to the sill of the window.

PELLA SMARTFLASH™ INSTALLATION TAPE

Flashing tape is applied at the sill.

SEALANT BY OTHERS.

LOW EXPANSION, LOW PRESSURE POLYURETHANE INSULATING WINDOW AND DOOR FOAM SEALANT - (DO NOT USE HIGH PRESSURE OR LATEX FOAMS).

Apply a continuous 1" bead of insulating foam to provide a full interior seal.

Scale 3" = 1' 0"

Items in bold are available from Pella.

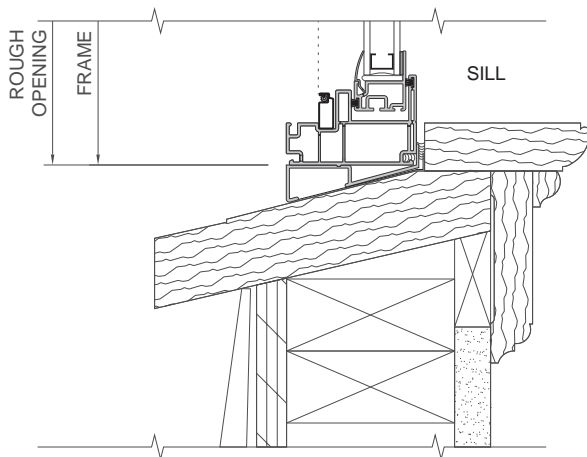
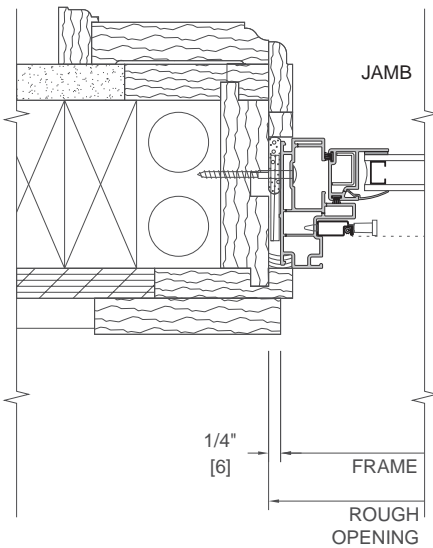
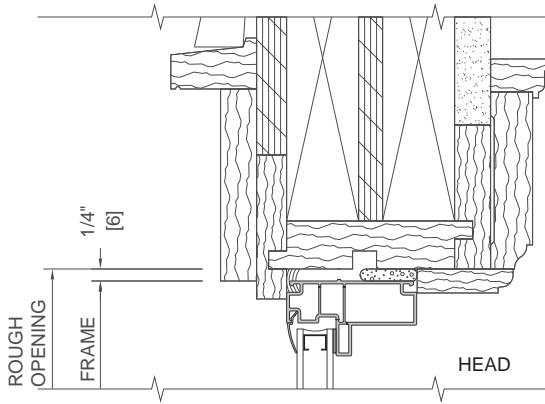
These details are typical single punch openings.

Refer to the appropriate Vinyl windows and Doors Manufactured by Pella installation instruction for step by step instructions.

rev. 07/22/2025



Single-Hung Pocket Replacement Installation Details



VINYL WINDOW SLOPED SILL ADAPTER

Sloped sill adapter is attached to the sill of the window.

PELLA SMARTFLASH™ INSTALLATION TAPE

Flashing tape is applied at the sill.

SEALANT BY OTHERS.

LOW EXPANSION, LOW PRESSURE POLYURETHANE INSULATING WINDOW AND DOOR FOAM SEALANT - (DO NOT USE HIGH PRESSURE OR LATEX FOAMS).

Apply a continuous 1" bead of insulating foam to provide a full interior seal.

Scale 3" = 1' 0"

Items in bold are available from Pella.

These details are typical single punch openings.

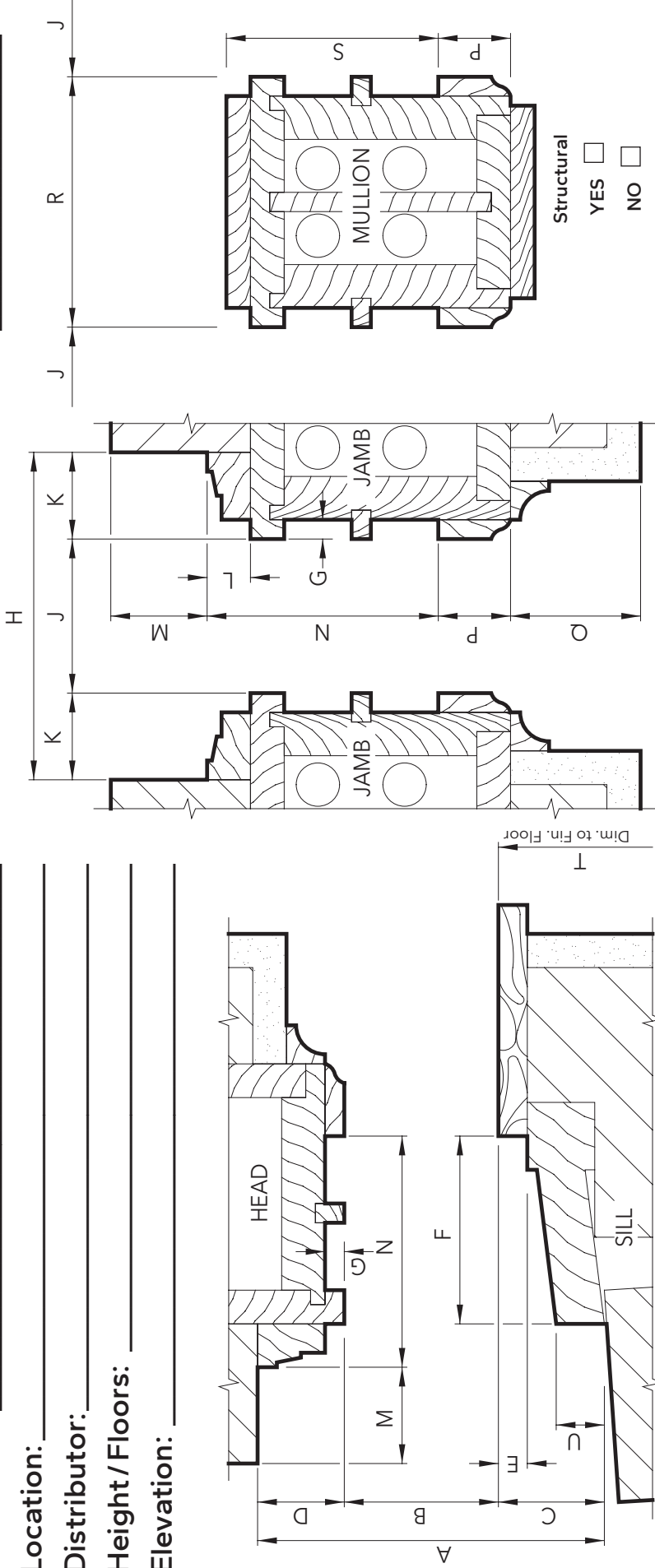
Refer to the appropriate Vinyl windows and Doors Manufactured by Pella installation instruction for step by step instructions.

WINDOW REPLACEMENT FIELD MEASUREMENT GUIDE

(For Existing Wood Double-Hung Windows)

Job Name: _____
 Location: _____
 Distributor: _____
 Height / Floors: _____
 Elevation: _____

Date: _____



NOTE If existing conditions are different than shown, draw and dimension profile on another sheet.

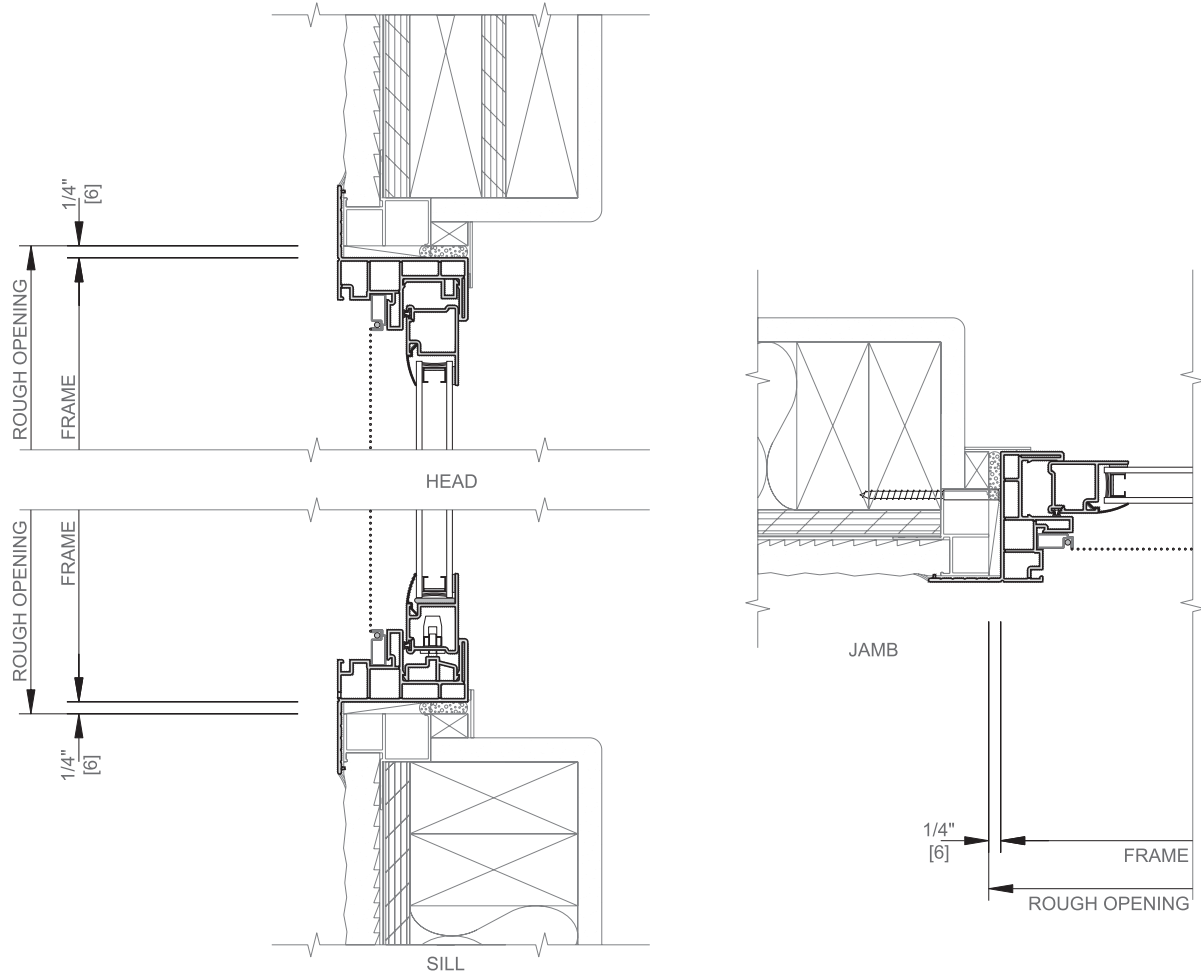
MARK	QUANTITY	A	B	C	D	E	F	G

H	I	J	K	L	M	N	O	P	Q	R	S	T	U

Product Type: _____ Glazing: _____ Hardware / Option: _____



This installation is designed for typical California hard coat stucco exterior applications. The installation requires the existing aluminum or steel window frame and weep system remain in place.



SEALANT BY OTHERS.

LOW EXPANSION, LOW PRESSURE POLYURETHANE INSULATING WINDOW AND DOOR FOAM SEALANT - (DO NOT USE HIGH PRESSURE OR LATEX FOAMS).

Apply a continuous 1" bead of insulating foam to provide a full interior seal.

WOOD BLOCKING BY OTHERS

INTERIOR VINYL TRIM BY OTHERS

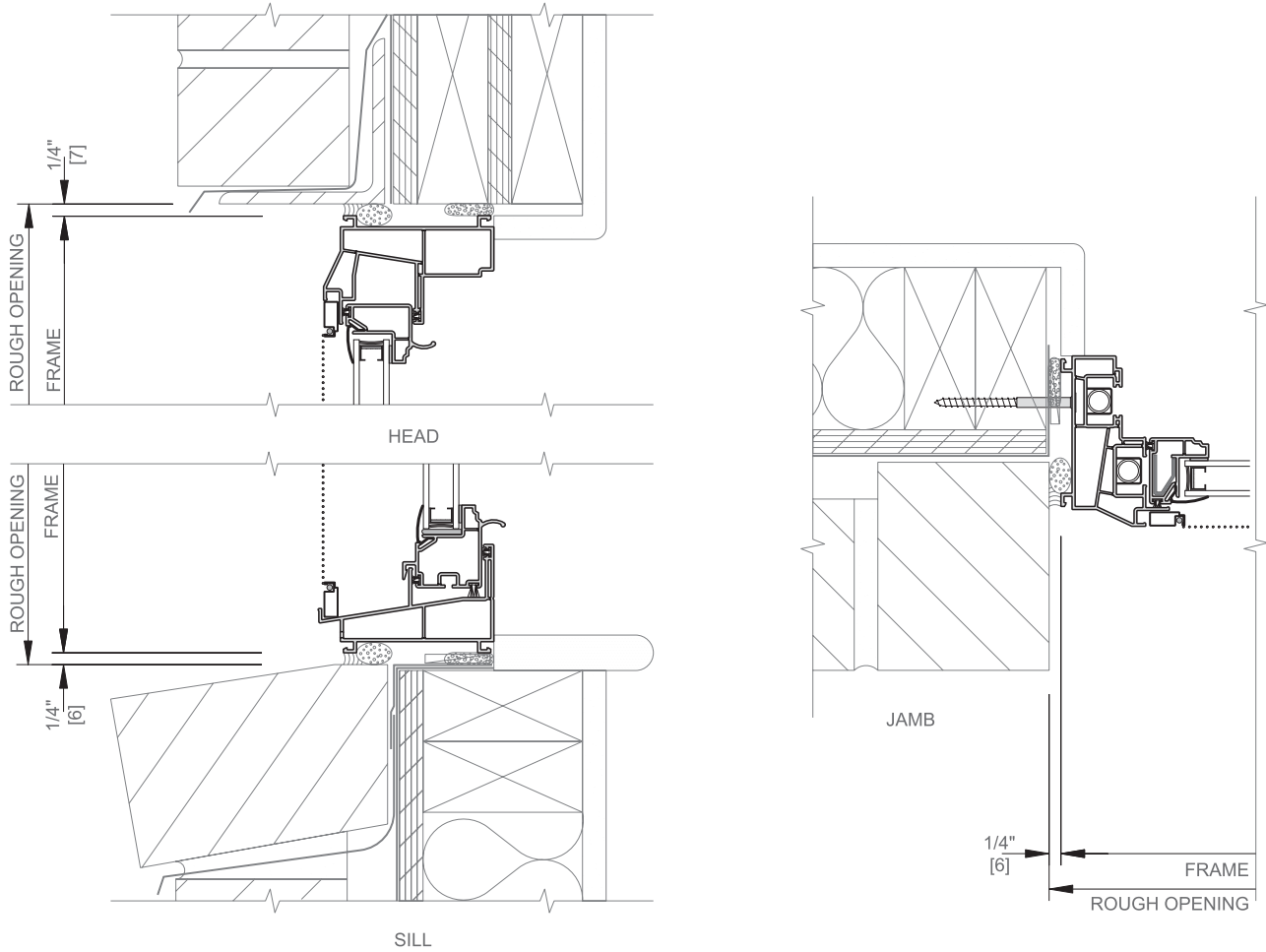
Items in bold are available from Pella.

These details are for typical single punch openings.

Refer to the appropriate Vinyl Windows and Doors Manufactured by Pella installation instruction for step by step instructions.



Double-Hung Window using Frame Screws Full Frame Replacement
Typical Existing Wood Frame Construction with Brick Veneer



SEE INSTALLATION INSTRUCTIONS FOR ANCHORAGE SCREW SIZE, LOCATION AND SPACING

PELLA SMARTFLASH™ INSTALLATION TAPE
Flashing tape is applied at the sill.

BACKER ROD AND SEALANT BY OTHERS.
Water-resistant backer rod & sealant.

LOW EXPANSION, LOW PRESSURE POLYURETHANE INSULATING WINDOW AND DOOR FOAM SEALANT - (DO NOT USE HIGH PRESSURE OR LATEX FOAMS).
Apply a continuous 1" bead of insulating foam to provide a full interior seal.

THROUGH-WALL CAVITY FLASHING WITH WEEPS AT HEAD AND SILL BY OTHERS.

Brick return at jamb to close cavity and provide backing for backer rod and sealant.

Scale 3" = 1' 0"

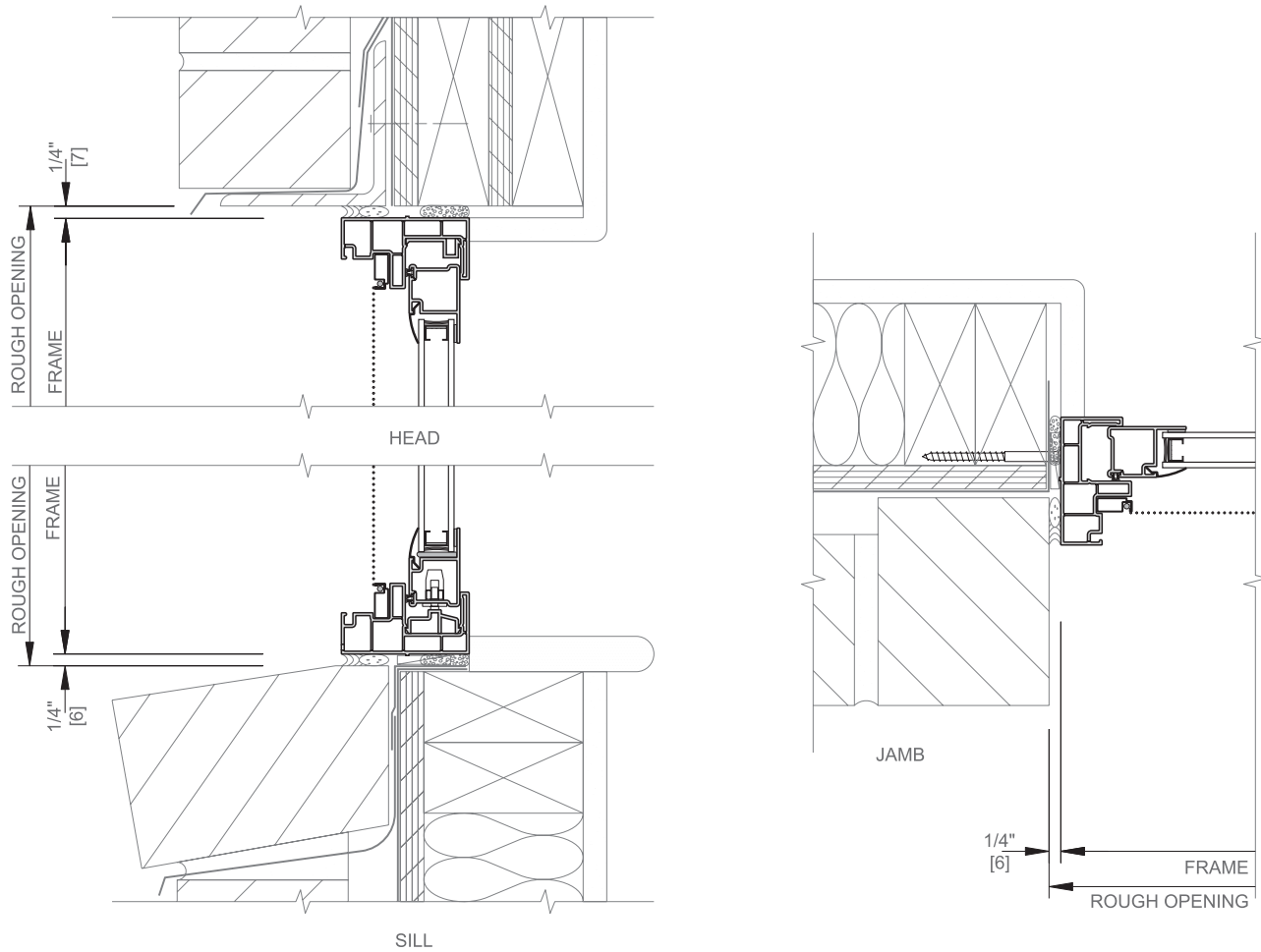
Items in bold are available from Pella.

These details are typical single punch openings.

Refer to the appropriate Vinyl windows and Doors Manufactured by Pella installation instruction for step by step instructions.



Sliding Window using Frame Screws Full Frame Replacement
Typical Existing Wood Frame Construction with Brick Veneer



THROUGH-WALL CAVITY FLASHING WITH WEEPS AT HEAD AND SILL BY OTHERS.

SEE INSTALLATION INSTRUCTIONS FOR ANCHORAGE SCREW SIZE, LOCATION AND SPACING.

PELLA SMARTFLASH™ INSTALLATION TAPE

Integrate the window and door flashing tape into the wall system.

Brick return at jamb to close cavity and provide backing for backer rod and sealant.

BACKER ROD AND SEALANT BY OTHERS

Water resistant backer rod and sealant.

LOW EXPANSION, LOW PRESSURE POLYURETHANE INSULATING WINDOW AND DOOR FOAM SEALANT - (DO NOT USE HIGH PRESSURE OR LATEX FOAMS).

Apply a continuous 1" bead of insulating foam to provide a full interior seal.

Scale 3" = 1' 0"

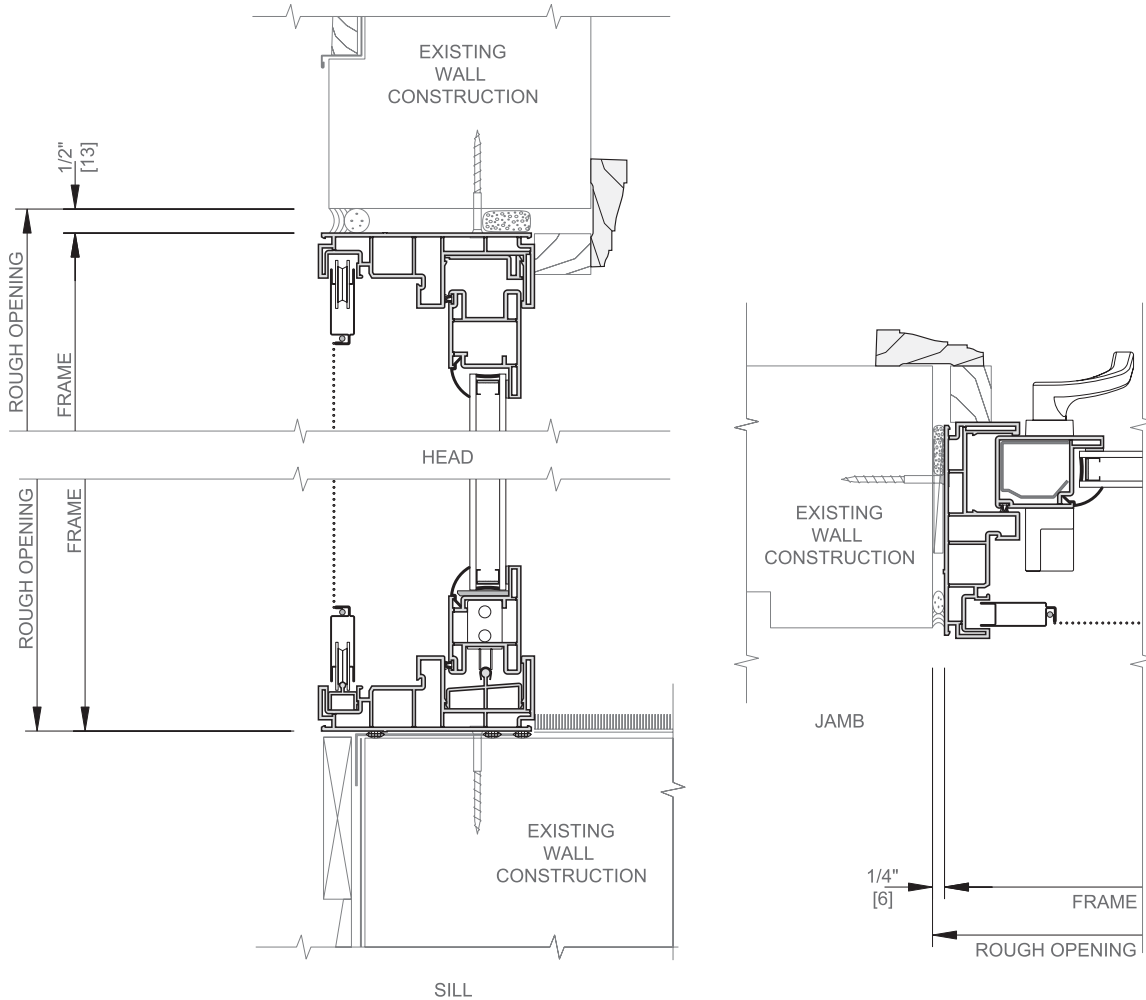
Items in bold are available from Pella.

These details are for typical single punch openings.

Refer to the appropriate Vinyl Windows and Doors Manufactured by Pella installation instruction for step by step instructions.



Sliding Door using Frame Screws Full Frame Replacement
Typical Existing Wood Frame Construction



FLASHING BY OTHERS

Metal head flashing.
Metal sill flashing.

Attach unit to wall construction with frame screws per the installation instruction.

PELLA SMARTFLASH™ FOIL BACKED BUTYL WINDOW AND DOOR FLASHING TAPE AT SILL

BACKER ROD AND SEALANT BY OTHERS
Water-resistant backer rod & sealant.

LOW EXPANSION, LOW PRESSURE POLYURETHANE INSULATING WINDOW AND DOOR FOAM SEALANT - (DO NOT USE HIGH PRESSURE OR LATEX FOAMS).

Apply a continuous 1" bead of insulating foam to provide a full interior seal.

WOOD BLOCKING BY OTHERS AT SILL TO SUPPORT FRAME

PELLA COLONIAL TRIM #31D0 (OPTIONAL)

INTERIOR FLAT TRIM BY OTHERS

Scale 3" = 1' 0"

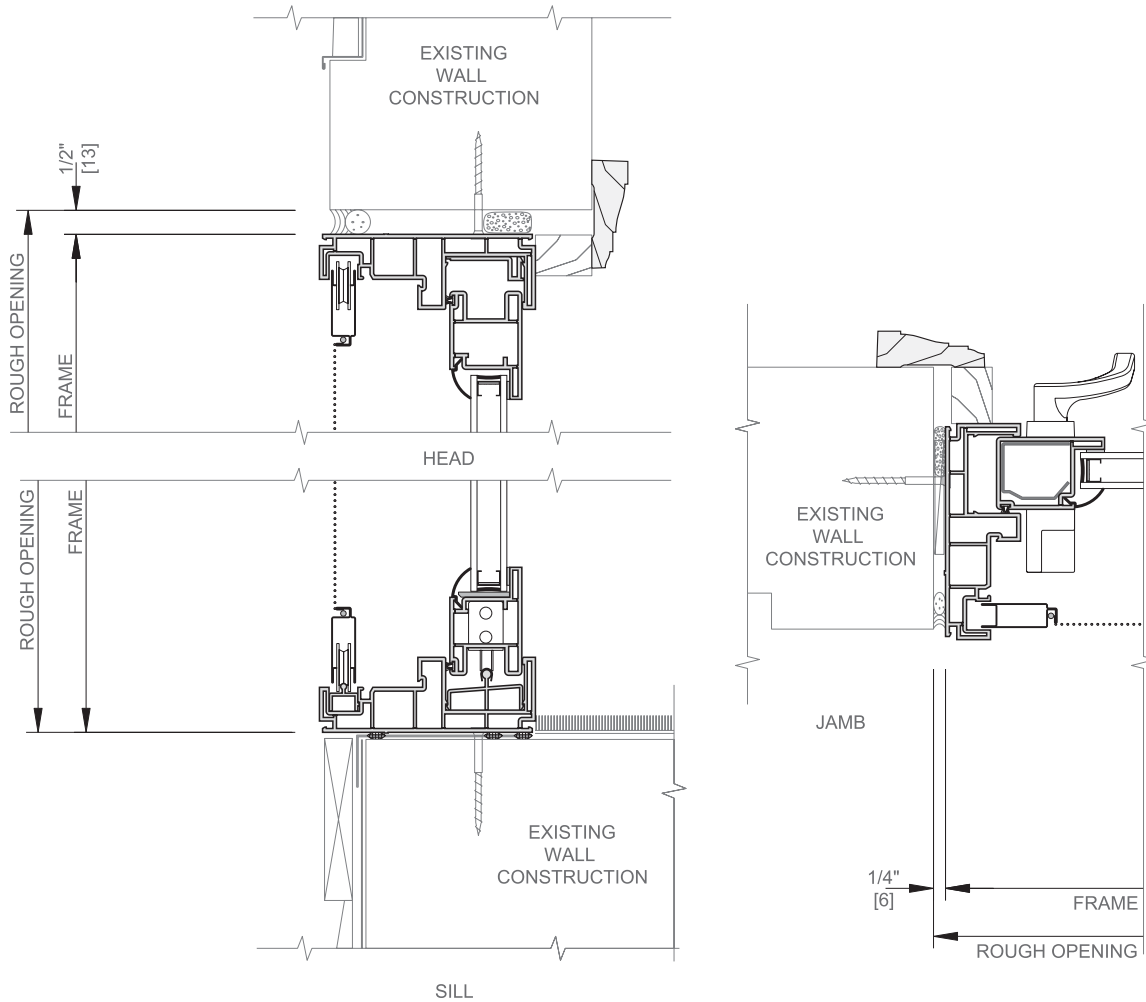
Items in bold are available from Pella.

These details are typical single punch openings.

Refer to the appropriate Vinyl windows and Doors Manufactured by Pella installation instruction for step by step instructions.



Sliding Door using Frame Screws
Typical Existing Wood Frame Construction



FLASHING BY OTHERS

- Metal head flashing.
- Metal sill flashing.

Attach unit to wall construction with frame screws per the installation instruction.

PELLA SMARTFLASH™ INSTALLATION TAPE AT SILL

- BACKER ROD AND SEALANT BY OTHERS**
- Water-resistant backer rod & sealant.

LOW EXPANSION, LOW PRESSURE POLYURETHANE INSULATING WINDOW AND DOOR FOAM SEALANT - (DO NOT USE HIGH PRESSURE OR LATEX FOAMS).

Apply a continuous 1" bead of insulating foam to provide a full interior seal.

WOOD BLOCKING BY OTHERS AT SILL TO SUPPORT FRAME

PELLA COLONIAL TRIM #31D0 (OPTIONAL)

INTERIOR FLAT TRIM BY OTHERS

Scale 3" = 1' 0"

Items in bold are available from Pella.

These details are for typical single punch openings.

Refer to the appropriate Vinyl Windows and Doors Manufactured by Pella installation instruction for step by step instructions.