



Product Selection Guide

- Size and Performance Data.....250-MSD-2
- Sound Transmission Class and Outdoor-Indoor Transmission Class250-MSD-2
- Features and Options..... 250-MSD-3
- Glazing Performance..... 250-MSD-4
- Special Sizes and Dimensions 250-MSD-6
- Design Data 250-MSD-9
- Detailed Product Description

 - Standard Doors250-MSD-10
 - Premium Doors250-MSD-11

- Unit Sections

 - Frame Types Overview..... 250-MSD-12
 - 1" Nail Fin250-MSD-13
 - Block Frame250-MSD-16

Document Navigation Tips:

Items listed in the table of contents above are active links that will take you to the corresponding page.

The Pella logo on each page is a link back to this table of contents.

Bookmarks are also included in this PDF document and are available as an additional navigation option.



250 Series Standard and Premium Multislide Doors

Size and Performance Data

	Standard Door	Premium Door	
	Stacking	Stacking	Pocket
Sizes			
Standard Sizes ₁	S	S	S
Special Sizes Available Built on 1/8" Increments	O	O	O
3-Panel/6-Panel Frames₁			
Nail Fin - 1" setback for 6-11/16" Wall Depth and 1-3/8" setback for 6-5/16" Wall Depth	S	S	—
Block Frame - 7-11/16" Frame Depth	O	O	S
Flush Flange: 7-7/16" Wall Depth	O	O	—
4-Panel/8-Panel Frames₁			
Nail Fin - 1" setback for 9-3/16" Wall Depth or 1-3/8" setback for 8-3/4" Wall Depth	S	S	—
Block Frame - 10-3/16" Frame Depth	O	O	S
Flush Flange: 9-15/16" Wall Depth	O	O	—
Performance₃			
Meets or Exceeds AAMA/WDMA Ratings	LC25	LC30	—
Air Infiltration (cfm/ft ² of frame @ 1.57 psf wind pressure)	1.57	1.57	—
Design Pressure (psf)	25	30	—
Water Resistance (psf)	3.76	5.34	—
Forced Entry ₄	10	10	—
Maximum Operating Force (lb) (Initiate Motion / Maintain Motion)	12 / 10	12 / 10	12 / 10

Sound Transmission Class and Outdoor-Indoor Transmission Class

Frame Size Tested	Glazing System				STC Rating	OITC Rating
	Overall Glazing Thickness	Exterior Glass Thickness	Interior Glass Thickness	Third Pane Thickness		
Standard Multislide Door						
—	Dual-Pane 7/8"	3mm	3mm	—	28	23
—	Triple-Pane 1-1/4"	3mm	3mm	3mm	—	—
Premium Multislide Door						
—	Dual-Pane 7/8"	3mm	3mm	—	30	23
—	Triple-Pane 1-1/4"	3mm	3mm	3mm	—	—

S = Standard; O = Optional; (—) = Not Available

(1) See size charts in this section for available sizes.

(2) Please contact your local Pella sales representative for additional information on frame depth per unit configuration.

(3) Published performance data is for single unit only.

(4) The higher the level, the greater the product's ability to resist forced entry.

The presence of low-E or argon have negligible effect on sound attenuation characteristics

Performance with additional options may not be the same as Standard and Special size units. Please contact your local Pella representative for complete information.



250 Series Standard and Premium Multislide Doors

Features and Options

	Standard Doors	Premium Doors
Glazing		
Glazing Type		
Dual-Pane Insulating Glass	S	S
Triple-Pane Insulating Glass	O	O
Insulated Glass Options / Low-E Types		
Advanced Low-E	S	S
SunDefense™ Low-E	O	O
Additional Glazing Options		
Tempered Glass	S	S
Gas Fill / High Altitude		
Argon	S	S
High Altitude	O	O
Interior/Exterior Color		
White Interior/White Exterior	S	S
Beige Interior/Beige Exterior	O	O
White Interior/Brown Exterior	O	O
White Interior/Black Exterior	O	O
Black Interior/Black Exterior	–	O
Door Handle Finishes		
Color Matched to Frame	S	S
Additional Interior Finishes (Satin Nickel)	O	O
Keyed Lock	O	O

S = Standard; O = Optional



250 Series Standard and Premium Multislide Doors

Glazing Performance - Total Unit

Glazing Thickness	Type of Glazing	NFRC Certified Product #	Glass (mm)		Gap Fill	Performance Values ¹				Shaded Areas Meet ENERGY STAR® Performance Criteria in Zones Shown				
			Ext.	Int.		U-Factor	SHGC	VLT	CR	U. S.		Canada ²		
										Zone	ER	Zone	ER	Zone
Standard Dual-Pane Insulating glass										N	NC	SC	S	CA
3/4"	Advanced Low-E IG	WDI-A-33-02382-00001	3	3	air	0.31	0.28	0.53	56					
3/4"	Advanced Low-E IG	WDI-A-33-02412-00001	3	3	argon	0.28	0.28	0.53	60					
3/4"	Advanced Low-E IG	WDI-A-33-02404-00001	5	5	air	0.31	0.28	0.52	55					
3/4"	Advanced Low-E IG	WDI-A-33-02434-00001	5	5	argon	0.27	0.28	0.52	58					
3/4"	SunDefense™ Low-E IG	WDI-A-33-02442-00001	3	3	air	0.31	0.21	0.49	57					
3/4"	SunDefense™ Low-E IG	WDI-A-33-02472-00001	3	3	argon	0.27	0.21	0.49	60			SC	S	
3/4"	SunDefense™ Low-E IG	WDI-A-33-02464-00001	5	5	air	0.30	0.22	0.49	55					
3/4"	SunDefense™ Low-E IG	WDI-A-33-02494-00001	5	5	argon	0.27	0.21	0.49	59			SC	S	

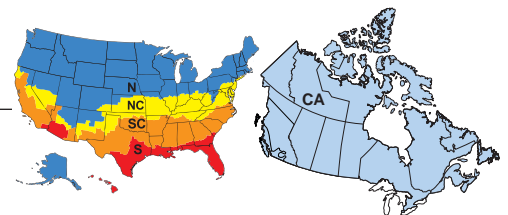
Glazing Thickness	Type of Glazing	NFRC Certified Product #	Glass (mm)			Gap Fill	Performance Values ¹				Shaded Areas Meet ENERGY STAR® Performance Criteria in Zones Shown				
			Ext.	Middle	Int.		U-Factor	SHGC	VLT	CR	U. S.		Canada ²		
											Zone	ER	Zone	ER	Zone
Standard Triple-Pane Insulating glass										N	NC	SC	S	CA	
1"	SunDefense™ Low-E IG	WDI-A-33-02750-00001	3	3	3	argon	0.18	0.18	0.36	70	N	NC	SC	S	
1"	SunDefense™ Low-E IG	WDI-A-33-02762-00001	4	4	4	argon	0.19	0.23	0.40	59	N	NC	SC	S	

R-Value = 1/U-Factor
 SHGC = Solar Heat Gain Coefficient
 VLT % = Visible Light Transmission
 CR = Condensation Resistance
 ER = Canadian Energy Rating

(1) Glazing performance values are calculated based on NFRC 100, NFRC 200 and NFRC 500. ENERGY STAR® values are updated to 2023 (Version 7) criteria.

(2) The values shown are based on Canada's updated ENERGY STAR® 2020 initiative.

Visit www.energystar.gov for Energy Star guidelines.





250 Series Standard and Premium Multislide Doors

Glazing Performance - Total Unit

Glazing Thickness	Type of Glazing	NFRC Certified Product #	Glass (mm)		Gap Fill	Performance Values ₁				Shaded Areas Meet ENERGY STAR® Performance Criteria in Zones Shown				
			Ext.	Int.		U-Factor	SHGC	VLT	CR	U. S.		Canada ₂		
										Zone	ER	Zone	Zone	
Premium Dual-Pane Insulating glass										N	NC	SC	S	CA
3/4"	Advanced Low-E IG	WDI-A-33-02999-00001	3	3	air	0.31	0.27	0.50	56					
3/4"	Advanced Low-E IG	WDI-A-33-03029-00001	3	3	argon	0.27	0.26	0.50	60					
3/4"	Advanced Low-E IG	WDI-A-33-03021-00001	5	5	air	0.30	0.26	0.49	55					
3/4"	Advanced Low-E IG	WDI-A-33-03051-00001	5	5	argon	0.27	0.26	0.49	58					
3/4"	SunDefense™ Low-E IG	WDI-A-33-03059-00001	3	3	air	0.30	0.20	0.46	57					
3/4"	SunDefense™ Low-E IG	WDI-A-33-03089-00001	3	3	argon	0.27	0.20	0.46	60			SC	S	
3/4"	SunDefense™ Low-E IG	WDI-A-33-03081-00001	5	5	air	0.30	0.20	0.45	55					
3/4"	SunDefense™ Low-E IG	WDI-A-33-03111-00001	5	5	argon	0.26	0.20	0.45	58	N	NC	SC	S	

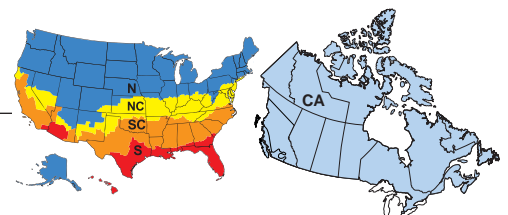
Glazing Thickness	Type of Glazing	NFRC Certified Product #	Glass (mm)			Gap Fill	Performance Values ₁				Shaded Areas Meet ENERGY STAR® Performance Criteria in Zones Shown				
			Ext.	Middle	Int.		U-Factor	SHGC	VLT	CR	U. S.		Canada ₂		
											Zone	ER	Zone	Zone	
Premium Triple-Pane Insulating glass										N	NC	SC	S	CA	
1"	SunDefense™ Low-E IG	WDI-A-33-03367-00001	3	3	3	argon	0.18	0.17	0.33	69	N	NC	SC	S	
1"	SunDefense™ Low-E IG	WDI-A-33-03379-00001	4	4	4	argon	0.19	0.17	0.33	69	N	NC	SC	S	

R-Value = 1/U-Factor
 SHGC = Solar Heat Gain Coefficient
 VLT % = Visible Light Transmission
 CR = Condensation Resistance
 ER = Canadian Energy Rating

(1) Glazing performance values are calculated based on NFRC 100, NFRC 200 and NFRC 500. ENERGY STAR® values are updated to 2023 (Version 7) criteria.

(2) The values shown are based on Canada's updated ENERGY STAR® 2020 initiative.

Visit www.energystar.gov for Energy Star guidelines.





250 Series Standard and Premium Multislide Doors

Special Size and Dimensions

STACKING PANEL CONFIGURATION	Venting	Frame Depth	Tracks	Frame Sizing				Panel Sizing				Product Offering	
				Min. Width	Min. Height	Max. Width	Max. Height	Min. Width	Min. Height	Max. Width	Max. Height	Standard	Premium
	One-way	7-11/16"	3 Tracks	45.25	39	145.9375	96	16	36	60	93	X	
				52.5	39	181.5	120	19	36	62.125	117		X
	One-way	10-3/16"	4 Tracks	58.5	39	191.5	96	16	36	60	93	X	
				67.5	39	240	120	19	36	62.125	117		X
	Bi-part	7-11/16"	3 Tracks	102.125	39	336	120	19	36	62.125	117		X
	Bi-part	10-3/16"	4 Tracks	132.75	39	336	120	19	36	62.125	117		X

For Standard doors, the combined frame width and frame height cannot exceed a panel square footage of 32 sq. ft.

For Premium doors The combined frame width and frame height cannot exceed a panel square footage of 40.25 sq. ft.

Premium Stacking Multislide Door Panel and Glass Dimensions

Panel Config.	Panel	Glass
All	H = FH-3	H = FH-9.25
3-Panel 2XO / O2X	$W=(FW\div 3)+1.60417$	$W=(FW\div 3)-4.58333$
4-Panel 3XO / O3X	$W=(FW\div 4)+2.125$	$W=(FW\div 4)-4.0625$
6-Panel O2X-2XO	$W=(FW\div 6)+1.97917$	$W=(FW\div 6)-4.20833$
8-Panel O3X-3XO	$W=(FW\div 8)+2.375$	$W=(FW\div 8)-3.8125$

All dimensions shown are inches.

Special sizes are available within the parameters shown on 1/16" increments.

To convert areas to square meters (m²), multiply square feet by 0.0929.



250 Series Standard and Premium Multislide Doors

	POCKETING PANEL CONFIGURATION (Premium Only)	Venting	Frame Depth	Tracks	Frame Sizing				Panel Sizing			
					Min. Width	Min. Height	Max. Width	Max. Height	Min. Width	Min. Height	Max. Width	Max. Height
1-Panel		One-way	2-15/16"	1 Track	21	39	129	120	19	36	62.125	117
2-Panel		One-way	5-7/16"	2 Tracks	36.25	39	187.5	120	19	36	62.125	117
		Bi-part	2-15/16"	1 Track	40.25	39	254.875	120	19	36	62.125	117
3-Panel		One-way	7-11/16"	3 Tracks	51.75	39	246	120	19	36	62.125	117
4-Panel		One-way	10-3/16"	4 Tracks	67	39	304.5	120	19	36	62.125	117
		Bi-part	5-7/16"	2 Tracks	71	39	336	120	19	36	62.125	117
6-panel		Bi-part	7-11/16"	3 Tracks	101.75	39	336	120	19	36	62.125	117
8-Panel		Bi-part	10-3/16"	4 Tracks	132.5	39	336	120	19	36	62.125	117

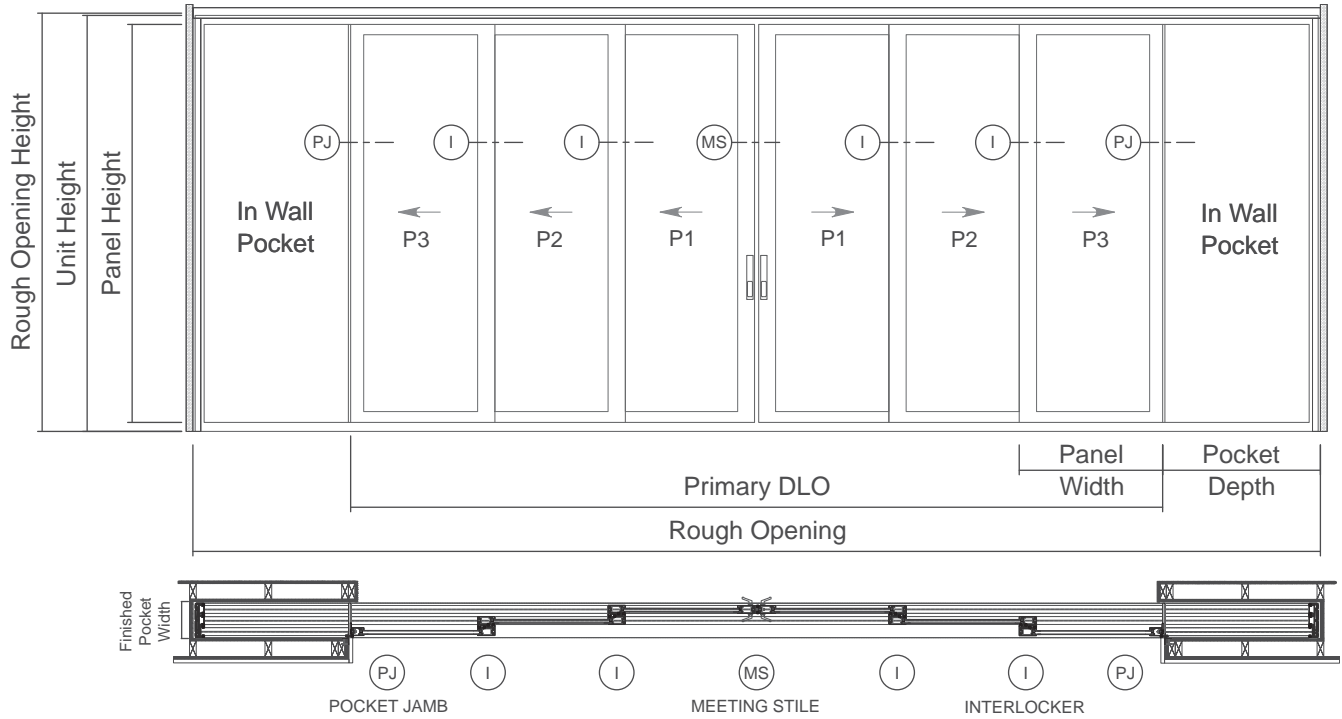
For Premium doors The combined frame width and frame height cannot exceed a panel square footage of 40.25 sq. ft.

Max width is the overall frame width of the unit, please contact your local Pella sales Representative for Daylight Opening dimensions.



250 Series Standard and Premium Multislide Doors

Special Size and Dimensions



Premium Pocket Multislide Door Panel and Glass Dimensions

	Stacking One Way (Minimum 3 panels)	Stacking: Bi-Parting	1 Pocket: One Way	2 Pocket: Bi-Parting
Frame Width	Starting Reference		Starting Reference	
Rough Opening Width	FW+.5	FW+.5	FW+1	FW+1
Actual Glass Width	2XO/O2X: (FW÷3)-4.58333 3XO/O3X: (FW÷4)-4.0625	O2X-2XO: (FW÷6)-4.20833 O3X-3XO: (FW÷8)-3.8125	XP/PX: DLOW-8.125 P2X/2XP: (DLOW÷2)-5.3125 P3X/3XP: (DLOW÷3)-4.41667 P4X/4XP: (DLOW÷4)-3.9375	PX-XP: (DLOW÷2)-7.3125 P2X-2XP: (DLOW÷4)-4.9375 P3X-3XP: (DLOW÷6)-4.14583 P4X-4XP: (DLOW÷8)-3.75
Panel Width	2XO/O2X: (FW÷3)+1.60417 3XO/O3X: (FW÷4)+2.125	O2X-2XO: (FW÷6)+1.97917 O3X-3XO: (FW÷8)+2.375	XP/PX: DLOW-1.9375 P2X/2XP: (DLOW÷2)+.875 P3X/3XP: (DLOW÷3)+1.77083 P4X/4XP: (DLOW÷4)+2.25	PX-XP: (DLOW÷2)-1.125 P2X-2XP: (DLOW÷4)+1.25 P3X-3XP: (DLOW÷6)+2.04167 P4X-4XP: (DLOW÷8)+2.4375
Frame Pocket Depth	n/a	n/a	FW-DLOW	(FW-DLOW)÷2
Rough Opening Pocket Depth	n/a	n/a	FW-DLOW+.5	((FW-DLOW)÷2)+.5
"DLO Width (DLOW)"	FW+.5	FW+.5	XP/PX: (FW-1)÷2 P2X/2XP: ((FW-3.75)÷3)×2 P3X/3XP: ((FW-4.7083)÷4)×3 P4X/4XP: ((FW-5.125)÷5)×4	PX-XP: (FW-1.875)÷2 P2X-2XP: ((FW-8.4375)÷3)×2 P3X-3XP: ((FW-10.0208)÷4)×3 P4X-4XP: ((FW-10.8125)÷5)×4
Frame Height	Starting Reference		Starting Reference	
Rough Opening Height/ DLO Height	FH+.5	FH+.5	FH	FH
Panel Height	FH-3	FH-3	FH-3	FH-3
Finished Pocket Width	n/a	n/a	XP/PX: 3.5 P2X/2XP: 6 P3X/3XP: 8.25 P4X/4XP: 10.75	PX-XP: 3.5 P2X-2XP: 6 P3X-3XP: 8.25 P4X-4XP: 10.75
Overall Track Width (minimum wall depth)	2XO/O2X: 7.6875 3XO/O3X: 10.1875	O2X-2XO: 7.6875 O3X-3XO: 10.1875	XP/PX: 2.9375 P2X/2XP: 5.4375 P3X/3XP: 7.6875 P4X/4XP: 10.1875	PX-XP: 2.9375 P2X-2XP: 5.4375 P3X-3XP: 7.6875 P4X-4XP: 10.1875

All dimensions shown are inches.

To convert areas to square meters (m²), multiply square feet by 0.0929.



Standard Sizes and Configurations

Series	Configuration	Frame Width	Frame Height
Standard	O2X / 2XO	104.5	95.5
		140.5	95.5
Standard	3XO / O3X	137.5	95.5
		185.5	95.5
Premium	2XO / O2X	104.3125	95.5
		104.3125	119.5
		119.5	95.5
		140.3125	95.5
Premium	3XO / O3X	137	95.5
		137	119.5
		185	95.5
		233	95.5

(-) = Not Available

(1) Maximum performance when glazed with the appropriate glass thickness. Second Value, where shown, requires performance upgrade.

All dimensions shown are inches.

To convert areas to square meters (m²), multiply square feet by 0.0929.



250 Series Standard and Premium Multislide Doors

Detailed Product Description - Standard Doors

Frame

- Overall Frame Depth: [7-11/16" for 3-track door] [10-3/16" for 4-track door].
- Knock-down frame assembly.
- Frame: 3-track door [1" setback for nail fin for 6-11/16" wall depth and 1-3/8" setback for nail fin for 6-5/16" wall depth] [Block Frame for 7-11/16" wall depth] [Flush Flange for 7-7/16" wall depth]
- Frame: 4-track door [1" setback for nail fin for 9-3/16" wall depth and 1-3/8" setback for nail fin for 8-3/4" wall depth] [Block Frame for 10-3/16" wall depth] [Flush Flange for 9-15/16" wall depth].
- Integrated sill drainage with snap-in sill covers.
- Interior and exterior frame surfaces are extruded rigid uPVC.

Door Panel

- 2-3/4" x 1-3/4" vinyl panel with internal aluminum reinforcement.
- Door panel consists of extruded, rigid uPVC.
- Panel members are mitered and heat-fused to provide a fully welded corner assembly.
- Vent panels are fully operable for ventilation.
- Vent panels have two adjustable rollers, set on an anodized aluminum track.
- Contains sealed insulating glass.

Weatherstripping

- Full-length weatherstrip on all 4 frame components.

Glazing System

- Interior face-glazed sealed insulating glass.
- Standard Dual-Pane tempered glass, with optional Triple-Pane upgrade.
- 7/8" Dual-Pane insulating glass [Advanced Low-E coated [with argon]] [SunDefense™ Low-E coated [with argon]] [High Altitude1].
or
- 1-1/4" Triple-Pane insulating glass [SunDefense™ Low-E coated [with argon]] [High Altitude1].

Interior / Exterior

- Frame and panel members are [[White] [Beige] with integral color extruded throughout the profiles] [[Brown] [Black] laminate exterior, with White integral color extruded throughout the profiles on the interior].
- Sill: [Bronze Anodized] [Mill] finish options.
- All exposed PVC surfaces are smooth, glossy and uniform in appearance.

Hardware

- Interior handle and thumb-lock; finish is [[White] [Beige] to match interior finish] [Black].
- Exterior handle with optional keylock; finish is [[White] [Beige] [Black] to match exterior finish].
- Optional upgraded hardware; Signature [[White] [Beige] [Black] [Satin Nickel] with optional keylock].
- 2-point lock with opposing lock points.
- Adjustable roller: [Stainless Steel]

(1) Dual-Pane IG High Altitude glazing is available with or without Argon. Triple-Pane IG High Altitude glazing is only available without Argon.



Detailed Product Description - Premium Doors

Frame

- Overall Frame Depth: [[7-11/16" for 3-track door] [10-3/16" for 4-track door]]
- Stacking Doors: Frame [members are mitered and heat fused to provide a fully welded corner assembly] [Knock Down frame assembly (required when frame width is greater than 191.5" and/or frame height is greater than 107.5")].
- Pocket Doors: Knock Down frame assembly
- Frame: 3-track door [1" setback for nail fin for 6-11/16" wall depth and 1-3/8" setback for nail fin for 6-5/16" wall depth] [Block Frame for 7-11/16" wall depth] [Flush Flange for 7-7/16" wall depth]
- Frame: 4-track door [1" setback for nail fin for 9-3/16" wall depth and 1-3/8" setback for nail fin for 8-3/4" wall depth] [Block Frame for 10-3/16" wall depth] [Flush Flange for 9-15/16" wall depth].
- Pocket Frame Depth varies from 2-15/16" to 10-3/16" depending on configuration. See Base Frame Depth for dimension. [Block].
- Integrated sill drainage with snap-in sill covers.
- Interior and exterior frame surfaces are extruded rigid uPVC.

Door Panel

- 3-3/4" x 1-3/4" vinyl panel with internal aluminum reinforcement.
- Door panel consists of extruded, rigid uPVC.
- Panel members are mitered and heat-fused to provide a fully welded corner assembly.
- Vent panels are fully operable for ventilation.
- Vent panels have two adjustable rollers, set on an anodized aluminum track.
- Contains sealed insulating glass.

Weatherstripping

- Full-length weatherstrip on all 4 frame components.

Glazing System

- Interior face-glazed sealed insulating glass.
- Standard Dual-Pane tempered glass, with optional Triple-Pane upgrade.
- 7/8" Dual-Pane insulating glass [Advanced Low-E coated [with argon]] [SunDefense™ Low-E coated [with argon]] [High Altitude,] or
- 1-1/4" Triple-Pane insulating glass [SunDefense™ Low-E coated [with argon]] [High Altitude,].

Interior / Exterior

- Frame and panel members are [[White] [Beige] with integral color extruded throughout the profiles]
- [Brown] laminate exterior, with White integral color extruded throughout the profiles on the interior.
- [Black] laminate exterior, with optional [Black] laminate interior or White integral color extruded throughout the profiles on the interior.
- Sill: [Bronze Anodized] [Mill] finish options.
- All exposed PVC surfaces are smooth, glossy and uniform in appearance.

Hardware

- Flush mount handle; finish is [White] [Black] [Satin Nickel] with optional keylock.
- Signature handle; finish is [White] [Beige] [Black] [Satin Nickel] with optional keylock.
- 2-point lock with opposing lock points.
- Adjustable roller: [Stainless Steel].

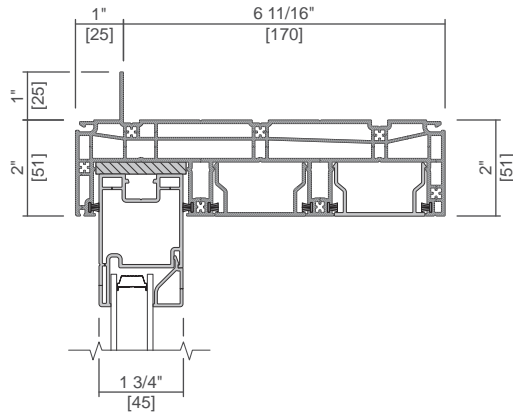


250 Series Standard and Premium Multislide Doors

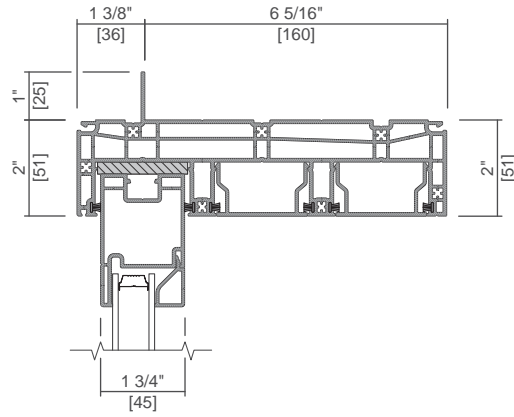
Unit Sections - Frame Types

NEW CONSTRUCTION FRAME

Standard 1" Nailing Fin

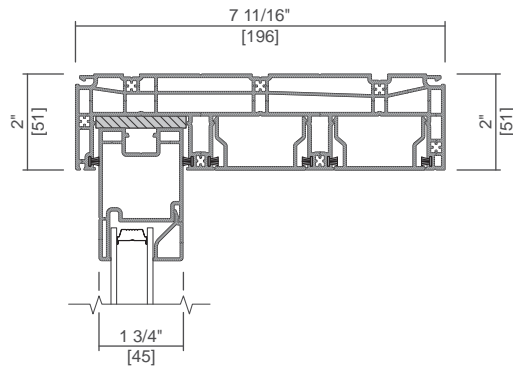


Standard 1 3/8" Nailing Fin



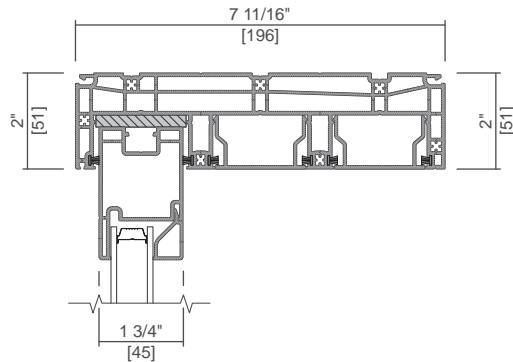
REPLACEMENT FRAME

Standard Block Frame

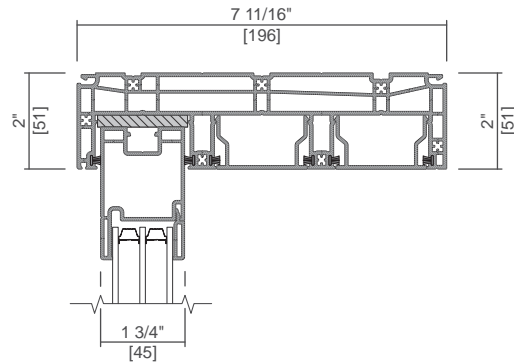


GLAZING OPTIONS

7/8" IG



1 1/4" Triple IG



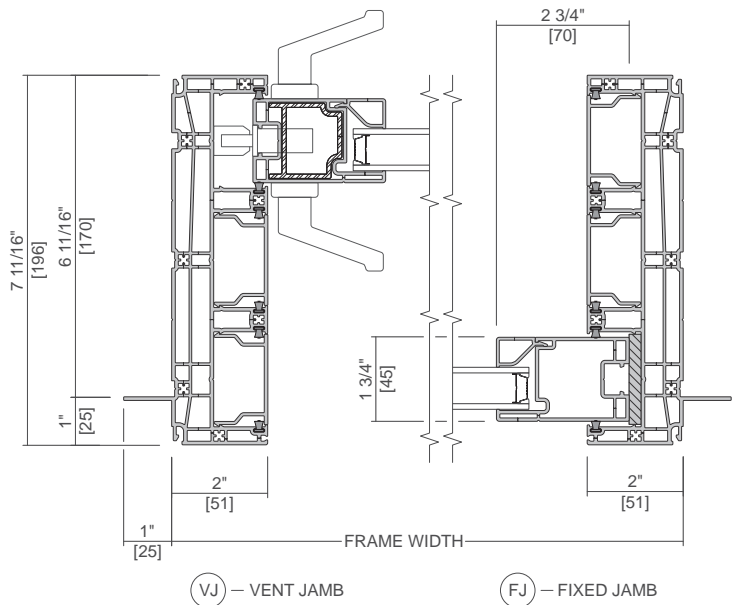
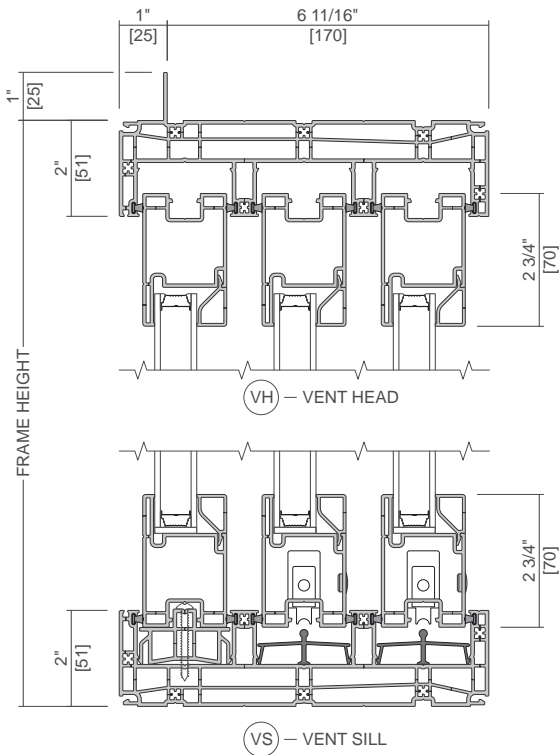
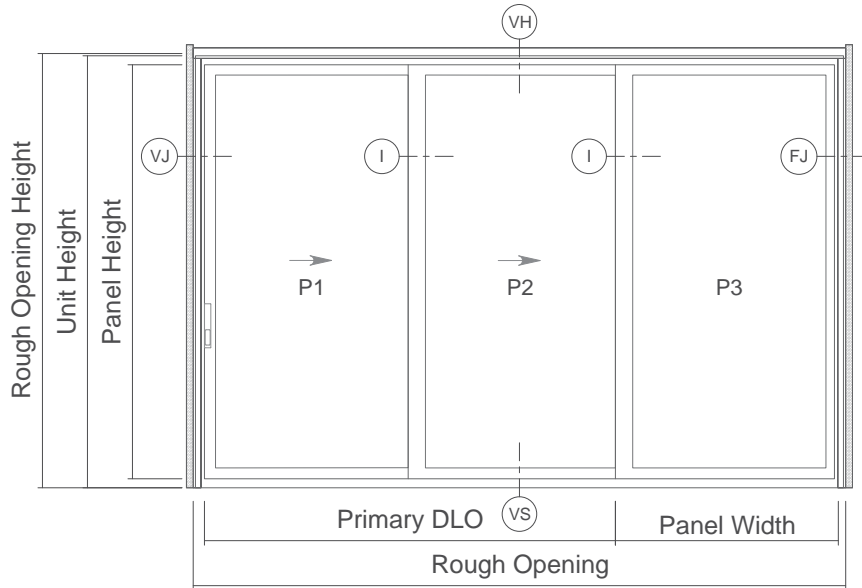
Scale 3" = 1' 0"

All dimensions are approximate.



250 Series Standard and Premium Multislide Doors

Unit Sections - 1" Fin Setback



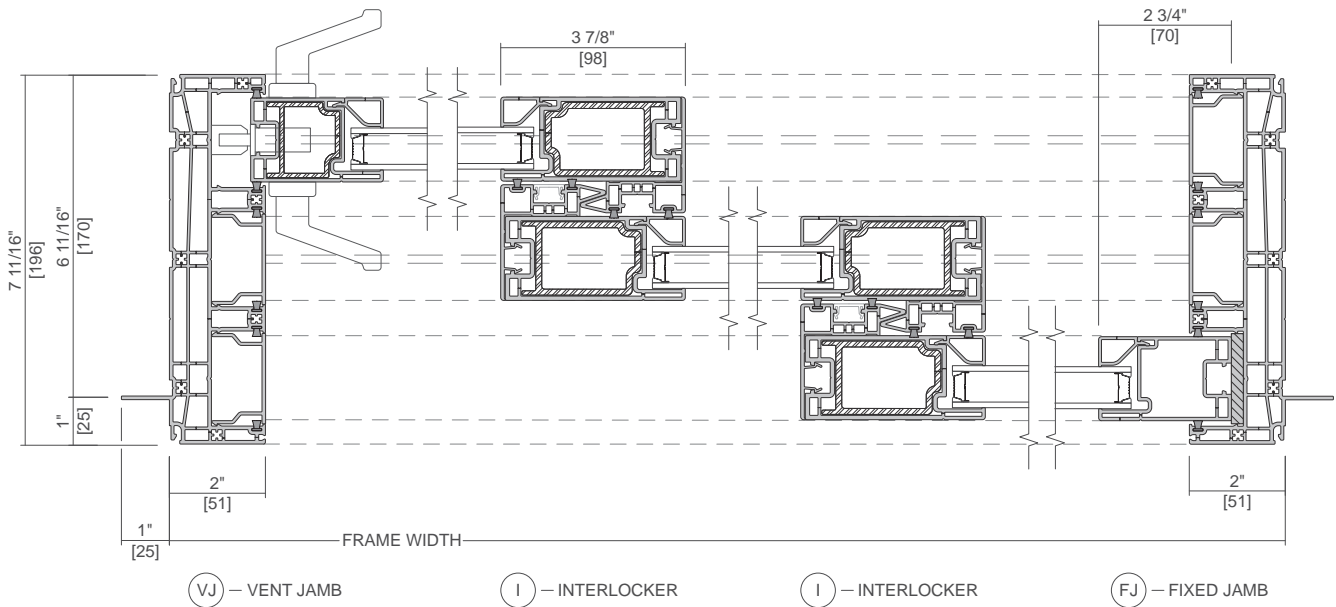
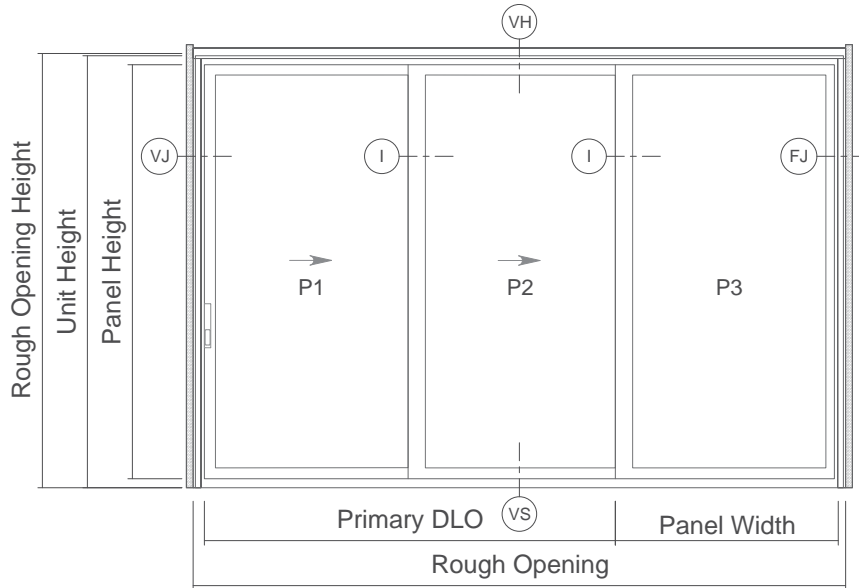
Scale 3" = 1' 0"

All dimensions are approximate.



250 Series Standard and Premium Multislide Doors

Unit Sections - 1" Fin Setback



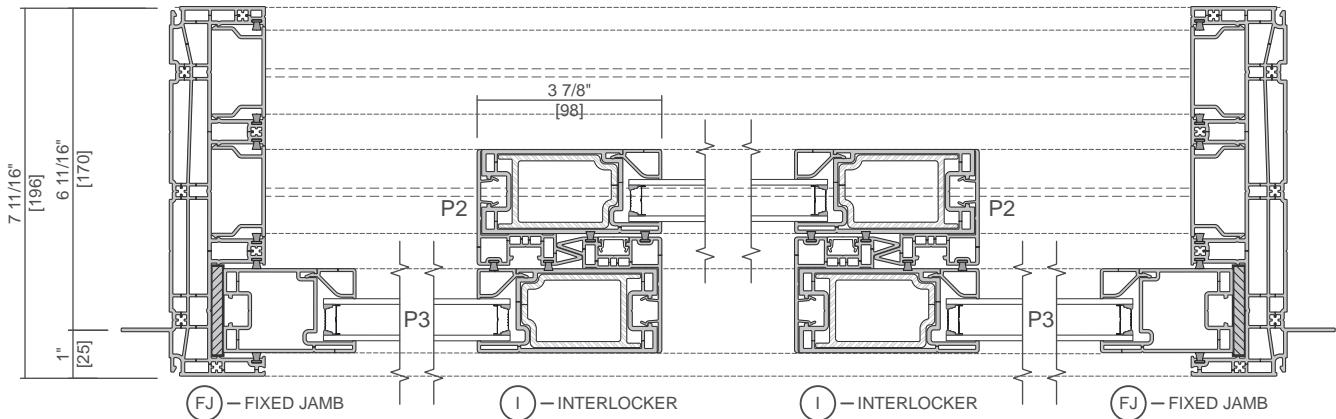
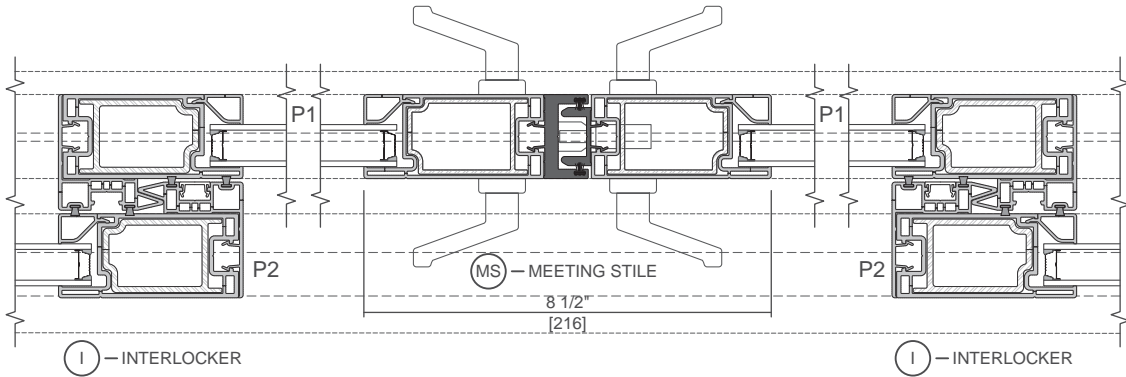
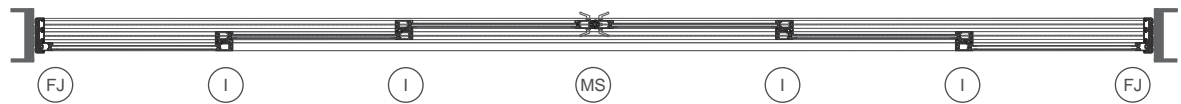
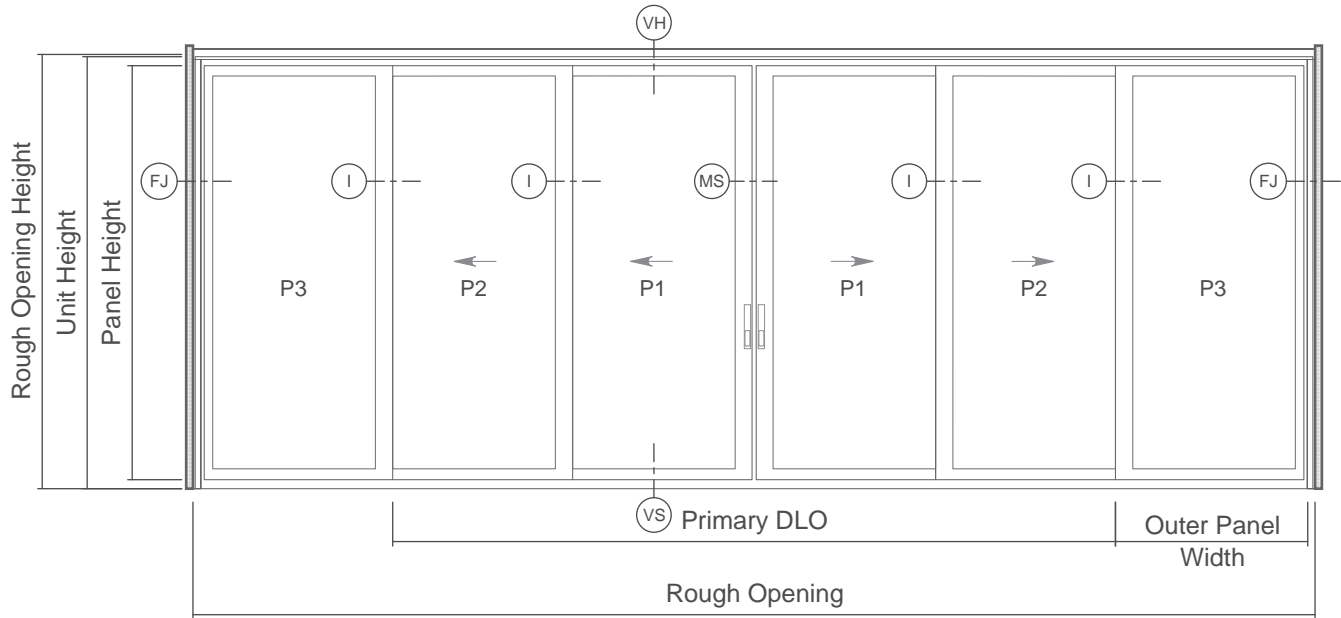
Scale 3" = 1' 0"

All dimensions are approximate.



250 Series Standard and Premium Multislide Doors

Unit Sections - 1" Fin Setback



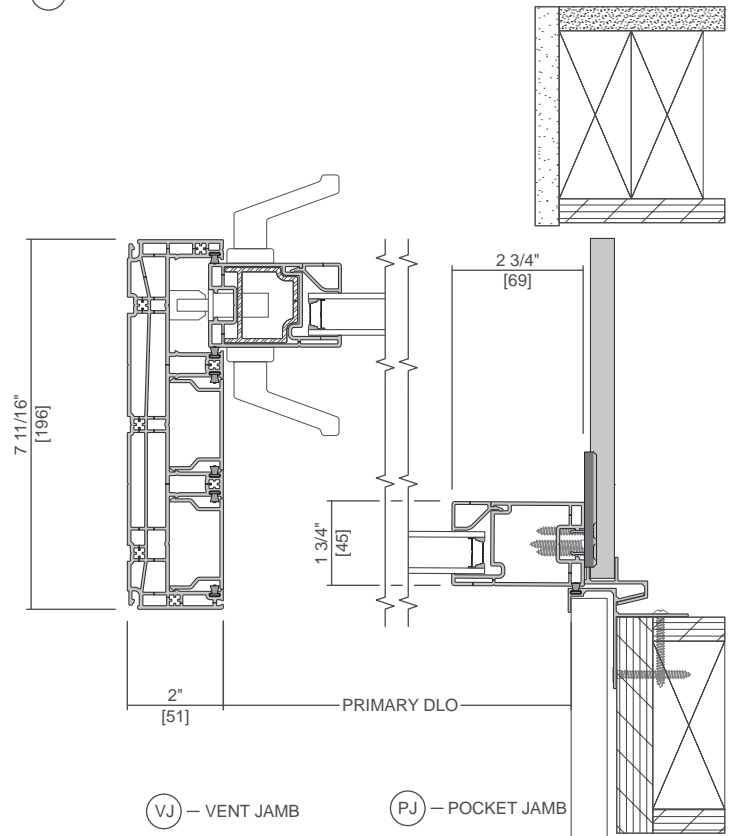
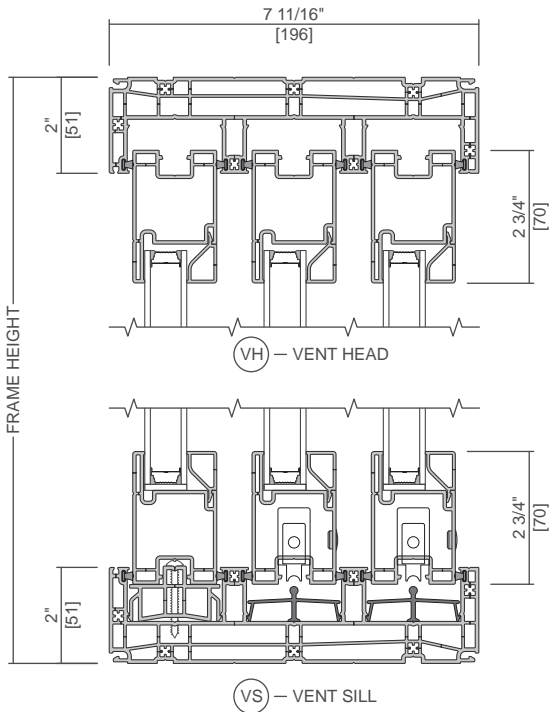
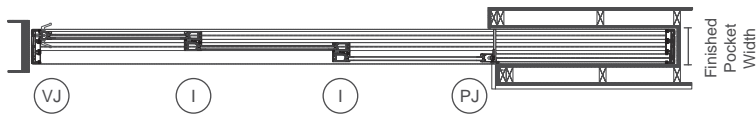
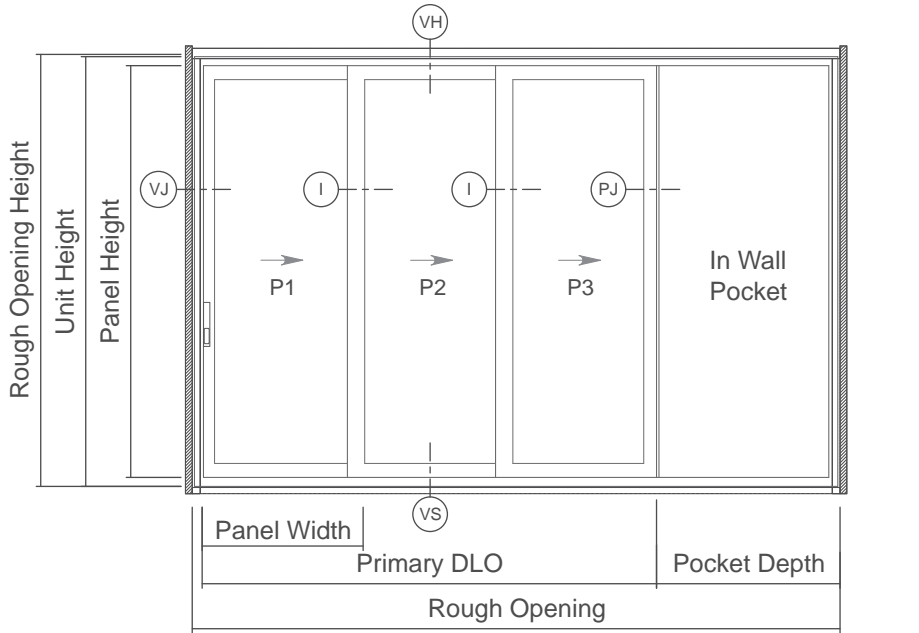
Scale 3" = 1' 0"

All dimensions are approximate.



250 Series Standard and Premium Multislide Doors

Unit Sections - Block Frame



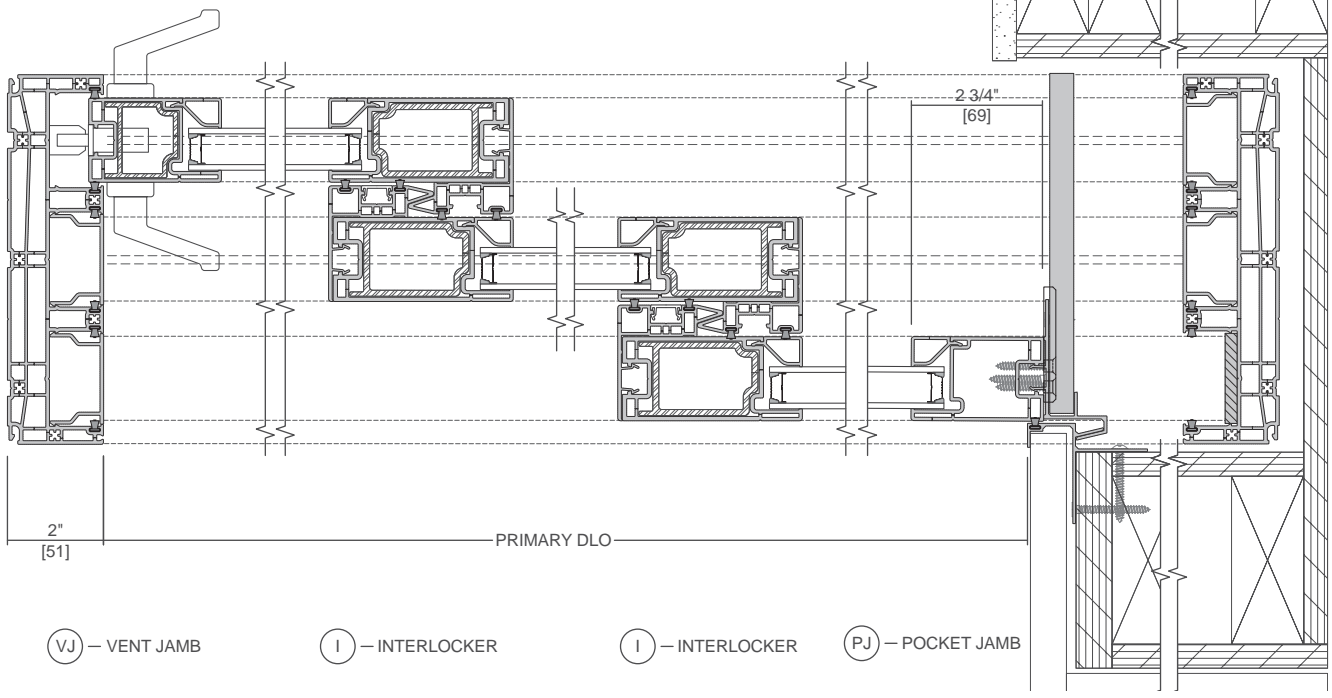
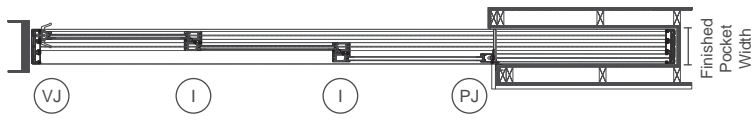
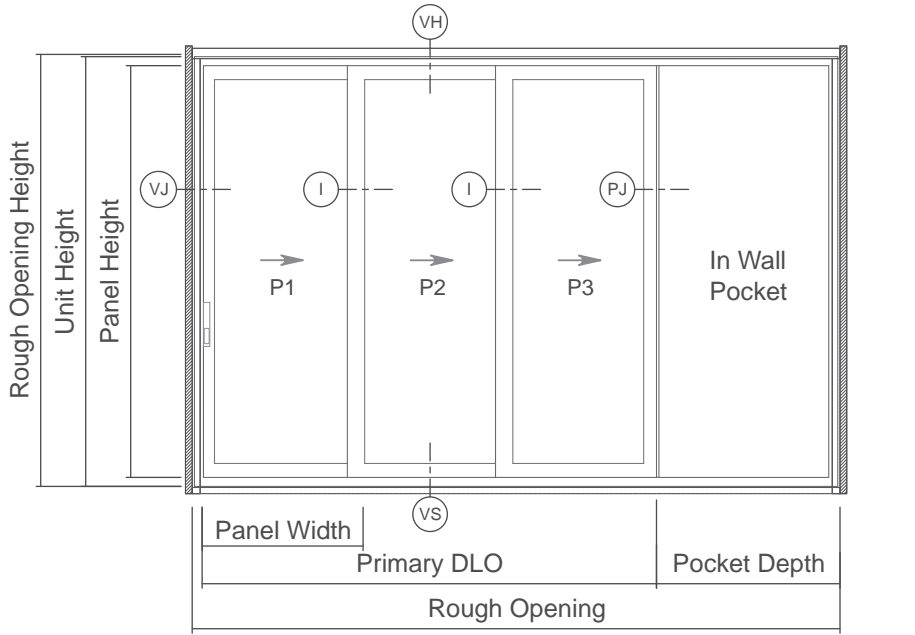
Scale 3" = 1' 0"

All dimensions are approximate.



250 Series Standard and Premium Multislide Doors

Unit Sections - Block Frame



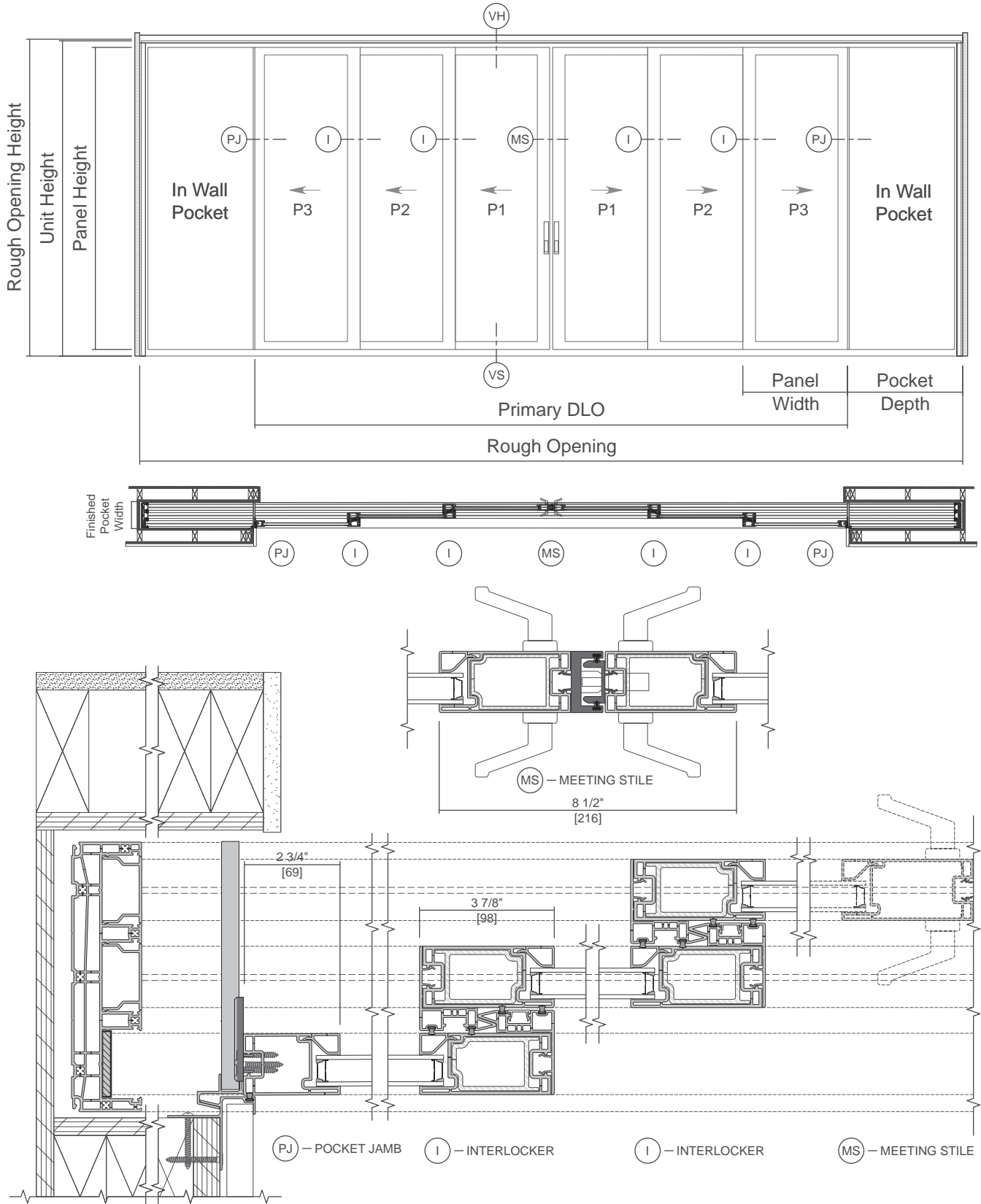
- (VJ) — VENT JAMB
- (I) — INTERLOCKER
- (I) — INTERLOCKER
- (PJ) — POCKET JAMB

Scale 3" = 1' 0"
All dimensions are approximate.



250 Series Standard and Premium Multislide Doors

Unit Sections - Block Frame



Scale 3" = 1' 0"

All dimensions are approximate.