



Product Selection Guide

Size and Performance Data..... 250-BFD-2

Sound Transmission Class and Outdoor-Indoor Transmission Class 250-BFD-2

Features and Options..... 250-BFD-3

Glazing Performance..... 250-BFD-4

Special Sizes and Dimensions 250-BFD-6

Standard Sizes and Configurations..... 250-BFD-8

Detailed Product Description.....250-BFD-11

Unit Sections

Frame Types Overview..... 250-BFD-12

1" Setback Nail Fin 250-BFD-13

1-3/8" Fin Setback..... 250-BFD-15

Block Frame 250-BFD-17

Document Navigation Tips:

Items listed in the table of contents above are active links that will take you to the corresponding page.

The Pella logo on each page is a link back to this table of contents.

Bookmarks are also included in this PDF document and are available as an additional navigation option.



250 Series Premium Bifold Door

Size and Performance Data

		Premium Bifold Patio Door
Sizes		
	Standard Sizes ₁	S
	Special Sizes Available Built on 1/8" Increments	O
Frames		
	1" Nail fin for 4-1/4" wall depth and 1-3/8" Nail Fin for 3-7/8" Wall depth	S
	Block Frame - 5-1/4" Frame Depth	O
Performance		
Doors 16' x 8'	Standard Sill	
	Meets or Exceeds AAMA/WDMA Ratings	SP-PG30
	Air Infiltration	1.57
	Water Penetration Resistance	4.59
	Design Pressure	30
	Low Profile Sill and Flush Sill	
	Meets or Exceeds AAMA/WDMA Ratings	not rated
	Air Infiltration	not rated
Doors 12' x 8'	Standard Sill	
	Meets or Exceeds AAMA/WDMA Ratings	SP-PG30
	Air Infiltration	1.57
	Water Penetration Resistance	4.59
	Design Pressure	50
	Low Profile Sill and Flush Sill	
	Meets or Exceeds AAMA/WDMA Ratings	not rated
	Air Infiltration	not rated
Other Performance Criteria		
	Forced Entry ₂	10

Sound Transmission Class and Outdoor-Indoor Transmission Class

Frame Size Tested	Glazing System				STC Rating	OITC Rating
	Overall Glazing Thickness	Exterior Glass Thickness	Interior Glass Thickness	Third Pane Thickness		
Bifold Door – Dual-Pane Insulating Glass						
–	7/8"	3mm	3mm	–	31	25
–	7/8"	4mm	4mm	–	31	26
Bifold Door – Triple-Pane Insulating glass						
–	1"	3mm	3mm	3mm	32	26

S = Standard; O = Optional; (–) = Not Available

(1) See size charts in this section for available sizes.

(2) The higher the level, the greater the product's ability to resist forced entry.

The presence of low-E or argon have negligible effect on sound attenuation characteristics.

Performance with additional options may not be the same as Standard and Special size units. Please contact your local Pella representative for complete information.



250 Series Premium Bifold Door

Features and Options

	250 Series Premium Bifold Door
Glazing	
Glazing Type	
Dual-Pane insulating glass	S
Triple-Pane insulating glass	O
Insulated Glass Options / Low-E Types	
Advanced Low-E	S
SunDefense™ Low-E	O
Additional Glazing Options	
Tempered Glass	S
Gas Fill / High Altitude	
Argon	S
High altitude	O
Interior/Exterior Color	
White Interior/White Exterior	S
Beige Interior/Beige Exterior	O
White Interior/Brown Exterior	O
White Interior/Black Exterior	O
Black Interior/Black Exterior	O
Door Handle Finishes	
Color matched to frame	S
Additional Interior Finishes: Satin Nickel	O
Keyed Lock	S

S = Standard; O = Optional



250 Series Premium Bifold Door

Glazing Performance - Total Unit

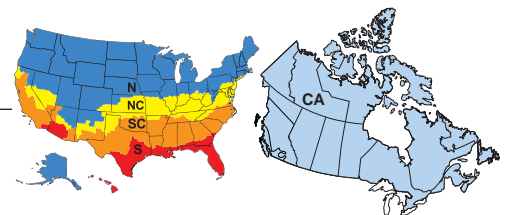
Glazing Thickness	Type of Glazing	NFRC Certified Product #	Glass (mm)		Gap Fill	Performance Values ₁				Shaded Areas Meet ENERGY STAR® Performance Criteria in Zones Shown				
			Ext.	Int.		U-Factor	SHGC	VLT	CR	U. S.		Canada ₂		
										Zone	ER	Zone	Zone	Zone
Premium Door Dual-Pane Insulating glass										N	NC	SC	S	CA
3/4"	Advanced Low-E IG	WDI-A-34-03409-00001	3	3	air	0.39	0.25	0.46	45					
3/4"	Advanced Low-E IG	WDI-A-34-03685-00001	3	3	argon	0.36	0.25	0.46	45					
3/4"	Advanced Low-E IG	WDI-A-34-03437-00001	5	5	air	0.38	0.25	0.45	45					
3/4"	Advanced Low-E IG	WDI-A-34-03713-00001	5	5	argon	0.36	0.25	0.45	45					
3/4"	SunDefense™ Low-E IG	WDI-A-34-03447-00001	3	3	air	0.39	0.19	0.42	45					
3/4"	SunDefense™ Low-E IG	WDI-A-34-03723-00001	3	3	argon	0.36	0.19	0.42	45					
3/4"	SunDefense™ Low-E IG	WDI-A-34-03475-00001	5	5	air	0.38	0.19	0.41	45					
3/4"	SunDefense™ Low-E IG	WDI-A-34-03751-00001	5	5	argon	0.35	0.19	0.41	45					

R-Value = 1/U-Factor
 SHGC = Solar Heat Gain Coefficient
 VLT % = Visible Light Transmission
 CR = Condensation Resistance
 ER = Canadian Energy Rating

(1) Glazing performance values are calculated based on NFRC 100, NFRC 200 and NFRC 500. ENERGY STAR® values are updated to 2023 (Version 7) criteria.

(2) The values shown are based on Canada's updated ENERGY STAR® 2020 initiative.

Visit www.energystar.gov for Energy Star guidelines.





250 Series Premium Bifold Door

Glazing Performance - Total Unit

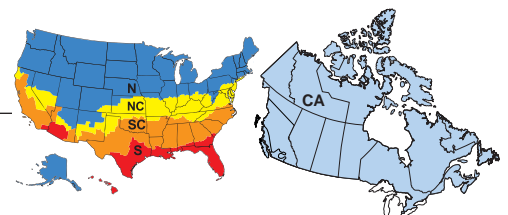
Glazing Thickness	Type of Glazing	NFRC Certified Product #	Glass (mm)			Gap Fill	Performance Values ₁				Shaded Areas Meet ENERGY STAR® Performance Criteria in Zones Shown					
			Ext.	Middle	Int.		U-Factor	SHGC	VLT	CR	U. S.		Canada ₂			
											Zone		ER	Zone		
Premium Door Triple-Pane Insulating glass											N	NC	SC	S		CA
1"	SunDefense™ Low-E IG	WDI-A-34-03617-00001	3	3	3	argon	0.30	0.17	0.30	44	N	NC	SC	S		
1"	SunDefense™ Low-E IG	WDI-A-34-03893-00001	4	4	4	argon	0.28	0.16	0.30	44	N	NC	SC	S		

R-Value = 1/U-Factor
 SHGC = Solar Heat Gain Coefficient
 VLT % = Visible Light Transmission
 CR = Condensation Resistance
 ER = Canadian Energy Rating

(1) Glazing performance values are calculated based on NFRC 100, NFRC 200 and NFRC 500. ENERGY STAR® values are updated to 2023 (Version 7) criteria.

(2) The values shown are based on Canada's updated ENERGY STAR® 2020 initiative.

Visit www.energystar.gov for Energy Star guidelines.





250 Series Premium Bifold Door

Special Sizes and Dimensions

	STACKING PANEL CONFIGURATION	Frame Sizing				Panel Sizing				
		Min. Width	Min. Height	Max. Width	Max. Height	Min. Width	Min. Height	Max. Width	Max. Height	Max Panel Sq. Ft.
2-Panel	0L-2R, 1L-1R, 2L-0R	41.25"	78.0625"	96.5625"	120"	19"	30"	46.6875"	115.5"	27.75 sq ft / 29.5 sq ft
3-Panel	1L-2R, 2L-1R	60.4375"	78.0625"	143.5"	120"	19"	30"	46.6825"	115.5"	27.75 sq ft / 29.5 sq ft
	0L-3R, 3L-0R	60.4375"	78.0625"	143.5"	120"	19"	30"	46.75"	115.5"	27.75 sq ft / 29.5 sq ft
4-Panel	0L-4R, 1L-3R, 2L-2R, 3L-1R, 4L-0R	79.5"	78.0625"	190.375"	120"	19"	30"	46.6875"	115.5"	27.75 sq ft / 29.5 sq ft
5-Panel	0L-5R, 1L-4R, 2L-3R, 3L-2R, 4L-1R, 5L-0R	98.75"	78.0625"	237.25"	120"	19"	30"	46.6825"	115.5"	27.75 sq ft / 29.5 sq ft
6-panel	0L-6R, 1L-5R, 2L-4R, 3L-3R, 4L-2R, 5L-1R, 6L-0R	118"	78.0625"	284"	120"	19"	30"	46.6875"	115.5"	27.75 sq ft / 29.5 sq ft
7-Panel	0L-7R, 1L-6R, 2L-5R, 3L-4R, 4L-3R, 5L-2R, 6L-1R, 7L-0R	137"	78.0625"	288"	120"	19"	30"	46.6825"	115.5"	27.75 sq ft / 29.5 sq ft
8-Panel	0L-8R, 1L-7R, 2L-6R, 3L-5R, 4L-4R, 5L-3R, 6L-2R, 7L-1R, 8L-0R	156.5"	78.0625"	288"	120"	19"	30"	46.6875"	115.5"	27.75 sq ft / 29.5 sq ft

Max frame height measurements apply only to units with standard sills.

The combined frame width and frame height cannot exceed a panel square footage of 27.75 sq. ft./29.5 sq. ft. depending on configuration

Panel Square Footage Restrictions: 29.5 sq ft. range is between a panel height of 30" - 91", 27.75 sq ft. range is between a panel height of 91.0625" - 115.5"

General Notes:

- Special sizes are available within the parameters shown on 1/16" increments.
- FH = Rough Opening - 0.5"; FW = Rough Opening - 0.5"

All dimensions shown are inches.

To convert areas to square meters (m²), multiply square feet by 0.0929.



250 Series Premium Bifold Door

Special Sizes and Dimensions

Premium Bifold Door Panel and Glass Dimensions

		Standard Sill		Low Profile Sill		Flush Sill		
Panel Config.	Passage-Door Handing	Panel	Glass	Panel	Glass	Panel	Glass	
All	All	H = FH-4.5	H = FH-10.75	H = FH-3.625	H = FH-9.875	H = FH-3.125	H = FH-9.375	
2-Panel	0L-2R 2L-0R	No passage door (No Astragal)	W=(FW÷2)-1.625	W=(FW÷2)-7.8125	W=(FW÷2)-1.625	W=(FW÷2)-7.8125	W=(FW÷2)-1.625	W=(FW÷2)-7.8125
	1L-1R	Active Right, Active Left	W=(FW÷2)-2.125	W=(FW÷2)-8.3125	W=(FW÷2)-2.125	W=(FW÷2)-8.3125	W=(FW÷2)-2.125	W=(FW÷2)-8.3125
3-Panel	0L-3R 3L-0R	Active Right, Active Left (No Astragal)	W=(FW÷3)-1.10417	W=(FW÷3)-7.29167	W=(FW÷3)-1.10417	W=(FW÷3)-7.29167	W=(FW÷3)-1.10417	W=(FW÷3)-7.29167
	1L-2R, 2L-1R	Active Right, Active Left	W=(FW÷3)-1.4375	W=(FW÷3)-7.625	W=(FW÷3)-1.4375	W=(FW÷3)-7.625	W=(FW÷3)-1.4375	W=(FW÷3)-7.625
4-Panel	4L-0R, 0L-4R	No passage door (No Astragal)	W=(FW÷4)-.875	W=(FW÷4)-7.0625	W=(FW÷4)-.875	W=(FW÷4)-7.0625	W=(FW÷4)-.875	W=(FW÷4)-7.0625
	1L-3R, 3L-1R	Option of: Active Left/Passive Right, Passive Left/Active Right	W=(FW÷4)-1.125	W=(FW÷4)-7.3125	W=(FW÷4)-1.125	W=(FW÷4)-7.3125	W=(FW÷4)-1.125	W=(FW÷4)-7.3125
	2L-2R	No passage door (With Astragal)	W=(FW÷4)-1.125	W=(FW÷4)-7.3125	W=(FW÷4)-1.125	W=(FW÷4)-7.3125	W=(FW÷4)-1.125	W=(FW÷4)-7.3125
5-Panel	0L-5R, 5L-0R	Active Right, Active Left (No Astragal)	W=(FW÷5)-.7625	W=(FW÷5)-6.95	W=(FW÷5)-.7625	W=(FW÷5)-6.95	W=(FW÷5)-.7625	W=(FW÷5)-6.95
	1L-4R, 4L-1R	Active Left, Active Right	W=(FW÷5)-.9625	W=(FW÷5)-7.15	W=(FW÷5)-.9625	W=(FW÷5)-7.15	W=(FW÷5)-.9625	W=(FW÷5)-7.15
	2L-3R, 3L-2R	Active Right, Active Left	W=(FW÷5)-.9625	W=(FW÷5)-7.15	W=(FW÷5)-.9625	W=(FW÷5)-7.15	W=(FW÷5)-.9625	W=(FW÷5)-7.15
6-Panel	6L-0R, 0L-6R	No passage door (No Astragal)	W=(FW÷6)-.63542	W=(FW÷6)-6.82292	W=(FW÷6)-.63542	W=(FW÷6)-6.82292	W=(FW÷6)-.63542	W=(FW÷6)-6.82292
	1L-5R, 5L-1R	Option of: Active Left/Passive Right, Passive Left/Active Right	W=(FW÷6)-.80208	W=(FW÷6)-6.95958	W=(FW÷6)-.80208	W=(FW÷6)-6.95958	W=(FW÷6)-.80208	W=(FW÷6)-6.95958
	2L-4R, 4L-2R	No passage door	W=(FW÷6)-.80208	W=(FW÷6)-6.95958	W=(FW÷6)-.80208	W=(FW÷6)-6.95958	W=(FW÷6)-.80208	W=(FW÷6)-6.95958
	3L-3R	No passage door	W=(FW÷6)-.80208	W=(FW÷6)-6.95958	W=(FW÷6)-.80208	W=(FW÷6)-6.95958	W=(FW÷6)-.80208	W=(FW÷6)-6.95958
7-Panel	0L-7R, 7L-0R	Active Right, Active Left (No Astragal)	W=(FW÷7)-.57143	W=(FW÷7)-6.75893	W=(FW÷7)-.57143	W=(FW÷7)-6.75893	W=(FW÷7)-.57143	W=(FW÷7)-6.75893
	1L-6R, 6L-1R	Active Left, Active Right	W=(FW÷7)-.71429	W=(FW÷7)-6.90179	W=(FW÷7)-.71429	W=(FW÷7)-6.90179	W=(FW÷7)-.71429	W=(FW÷7)-6.90179
	2L-5R, 5L-2R	Active Right, Active Left	W=(FW÷7)-.71429	W=(FW÷7)-6.90179	W=(FW÷7)-.71429	W=(FW÷7)-6.90179	W=(FW÷7)-.71429	W=(FW÷7)-6.90179
	3L-4R, 4L-3R	Active Left, Active Right	W=(FW÷7)-.71429	W=(FW÷7)-6.90179	W=(FW÷7)-.71429	W=(FW÷7)-6.90179	W=(FW÷7)-.71429	W=(FW÷7)-6.90179
8-Panel	0L-8R, 8L-0R	No passage door (No Astragal)	W=(FW÷8)-.5625	W=(FW÷8)-6.75	W=(FW÷8)-.5625	W=(FW÷8)-6.75	W=(FW÷8)-.5625	W=(FW÷8)-6.75
	1L-7R, 7L-1R	Option of: Active Left/Passive Right, Passive Left/Active Right	W=(FW÷8)-.6875	W=(FW÷8)-6.785	W=(FW÷8)-.6875	W=(FW÷8)-6.785	W=(FW÷8)-.6875	W=(FW÷8)-6.785
	2L-6R, 6L-2R	No passage door	W=(FW÷8)-.6875	W=(FW÷8)-6.785	W=(FW÷8)-.6875	W=(FW÷8)-6.785	W=(FW÷8)-.6875	W=(FW÷8)-6.785
	3L-5R, 5L-3R	Option of Active/Passive or Passive/Active	W=(FW÷8)-.6875	W=(FW÷8)-6.785	W=(FW÷8)-.6875	W=(FW÷8)-6.785	W=(FW÷8)-.6875	W=(FW÷8)-6.785
	4L-4R	No passage door	W=(FW÷8)-.6875	W=(FW÷8)-6.785	W=(FW÷8)-.6875	W=(FW÷8)-6.785	W=(FW÷8)-.6875	W=(FW÷8)-6.785

All dimensions shown are inches. To convert areas to square meters (m²), multiply square feet by 0.0929.



250 Series Premium Bifold Door

Standard Sizes and Configurations

	Panel Configuration	Passage-Door handing	Standard Size Call Sizes		Standard Size Frame Dimensions (inches)	
			Call Width	Call Height	Width	Height
2-Panel	 0L-2R 2L-0R	No passage door	73.25	96	72.75	95.5
			73.25	96	73.75	95.5
	 1L-1R	Active Right, Active Left	74.25	96	73.75	95.5
3-Panel	 0L-3R 3L-0R	Active Right, Active Left	108.0625	96	107.5625	95.5
			108.0625	96	107.5625	95.5
	 1L-2R 2L-1R	Active Right, Active Left	109.0625	96	108.5625	95.5
			109.0625	96	108.5625	95.5
4-Panel	 0L-4R 4L-0R	No passage door	143	96	142.5	95.5
			143	96	142.5	95.5
	 1L-3R 3L-1R	Option of: Active Left/Passive Right, Passive Left/Active Right	144	96	143.5	95.5
			144	96	143.5	95.5
	 2L-2R	No passage door	144	96	143.5	95.5

"A" indicates the Active Passage Door where applicable.

"P" indicates a swinging Passive Door.

(1) Maximum performance when glazed with the appropriate glass thickness.

Those noted as NC are not AAMA/WDMA performance certified.

Doors are configured from left to right as viewed from the exterior.

Contact your local Pella sales representative for more information.



250 Series Premium Bifold Door

	Panel Configuration	Passage-Door handing	Standard Size Call Sizes		Standard Size Frame Dimensions (inches)	
			Call Width	Call Height	Width	Height
5-Panel	 0L-5R 5L-0R	Active Right, Active Left	177.9375	96	177.4375	95.5
			177.9375	96	177.4375	95.5
	 1L-4R 4L-1R	Active Left, Active Right	178.9375	96	178.4375	95.5
			178.9375	96	178.4375	95.5
	 2L-3R 3L-2R	Active Right, Active Left	178.9375	96	178.4375	95.5
			178.9375	96	178.4375	95.5
6-Panel	 0L-6R 6L-0R	No passage door	212.8125	96	212.3125	95.5
			212.8125	96	212.3125	95.5
	 1L-5R 5L-1R	Option of: Active Left/Passive Right, Passive Left/Active Right	213.8125	96	213.3125	95.5
			213.8125	96	213.3125	95.5
	 2L-4R 4L-2R	No passage door	213.8125	96	213.3125	95.5
			213.8125	96	213.3125	95.5
	 3L-3R	Option of Active/Passive or Passive/Active	213.8125	96	213.3125	95.5

"A" indicates the Active Passage Door where applicable.

"P" indicates a swinging Passive Door.

(1) Maximum performance when glazed with the appropriate glass thickness.

Those noted as NC are not AAMA/WDMA performance certified.

Doors are configured from left to right as viewed from the exterior.

Contact your local Pella sales representative for more information.



250 Series Premium Bifold Door

	Panel Configuration	Passage-Door handing	Standard Size Call Sizes		Standard Size Frame Dimensions (inches)	
			Call Width	Call Height	Width	Height
7-Panel	<p>0L-7R 7L-0R</p>	Active Right, Active Left	247.75	96	247.25	95.5
			247.75	96	247.25	95.5
	<p>1L-6R 6L-1R</p>	Active Left, Active Right	248.75	96	248.25	95.5
			248.75	96	248.25	95.5
	<p>2L-5R 5L-2R</p>	Active Right, Active Left	248.75	96	248.25	95.5
			248.75	96	248.25	95.5
	<p>3L-4R 4L-3R</p>	Active Left, Active Right	248.75	96	248.25	95.5
			248.75	96	248.25	95.5
8-Panel	<p>0L-8R 8L-0R</p>	No passage door	282.75	96	282.25	95.5
			282.75	96	282.25	95.5
	<p>1L-7R 7L-1R</p>	Option of: Active Left/Passive Right, Passive Left/Active Right	283.75	96	283.25	95.5
			283.75	96	283.25	95.5
	<p>2L-6R 6L-2R</p>	No passage door	283.75	96	283.25	95.5
			283.75	96	283.25	95.5
	<p>3L-5R 5L-3R</p>	Option of Active/Passive or Passive/Active	283.75	96	283.25	95.5
			283.75	96	283.25	95.5
	<p>4L-4R</p>	No passage door	283.75	96	283.25	95.5



250 Series Premium Bifold Door

Detailed Product Description - Premium Doors

Frame

- Overall frame depth: 5-1/4".
- Knock-down frame assembly.
- Frame: [1" setback for nail fin for 4-1/4" wall depth and 1-3/8" setback for nail fin for 3-7/8" wall depth] [Block Frame for 5-1/4" wall depth].
- Sill options: [Standard] [Low-profile] [Flush].
- Interior and exterior frame surfaces are extruded rigid uPVC.

Door Panel

- 3-3/4" x 1-3/4" vinyl panel with internal aluminum reinforcement.
- Door panel consists of extruded, rigid uPVC.
- Panel members are mitered and heat-fused to provide a fully welded corner assembly.
- Contains sealed insulating glass.

Weatherstripping

- Foam-backed weatherstripping on the main frame.
- Dual interlocking weatherstripping on panel for superior air and thermal performance.

Glazing System

- Interior face-glazed sealed insulating glass.
- Standard Dual-Pane tempered glass, with optional Triple-Pane upgrade.
- 7/8" Dual-Pane insulating glass [Advanced Low-E coated [with argon]] [SunDefense™ Low-E coated [with argon]] [High Altitude,].
- or-
- 1-1/4" Triple-Pane insulating glass [SunDefense™ Low-E coated [with argon]] [High Altitude,].

Interior / Exterior

- Frame and panel members are [[White] [Beige] with integral color extruded throughout the profiles]
- [Brown] laminate exterior, with White integral color extruded throughout the profiles on the interior.
- [Black] laminate exterior, with optional [Black] laminate interior or White integral color extruded throughout the profiles on the interior.
- Sill: [Bronze Anodized] [Mill] finish options.
- All exposed PVC surfaces are smooth, glossy and uniform in appearance.

Hardware

- Interior handle and thumb-lock; finish is [White] [Black] [Satin Nickel].
- Exterior handle with optional keylock; finish is [White] [Black] [Satin Nickel].
- Passive Handle; finish is [Satin Nickel] [Black].
- Hinge finishes: [Bronze] [Stainless Steel].
- Multipoint locking hardware [Stainless Steel] located on both active and inactive panels.

(1) Dual-Pane IG High Altitude glazing is only available without Argon. Triple-Pane IG High Altitude glazing is only available without Argon.

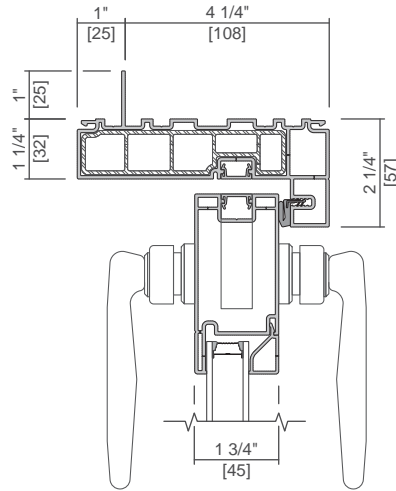


250 Series Premium Bifold Door

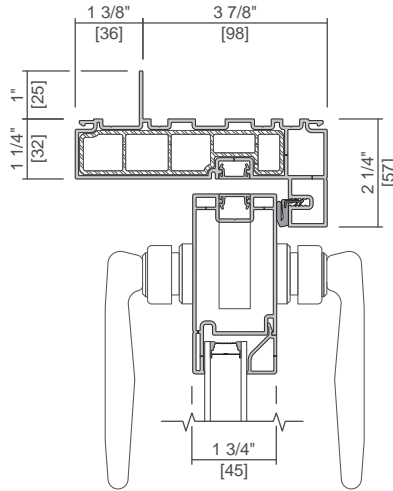
Unit Sections - Frame Types

NEW CONSTRUCTION FRAME

Standard 1" Nailing Fin

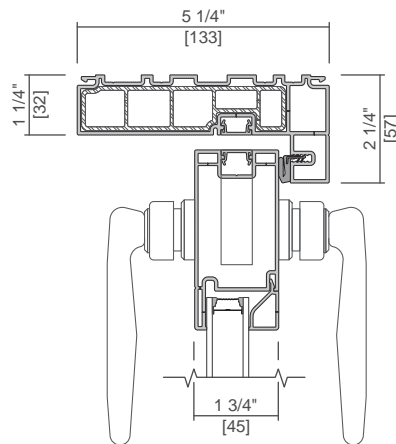


Standard 1 3/8" Nailing Fin



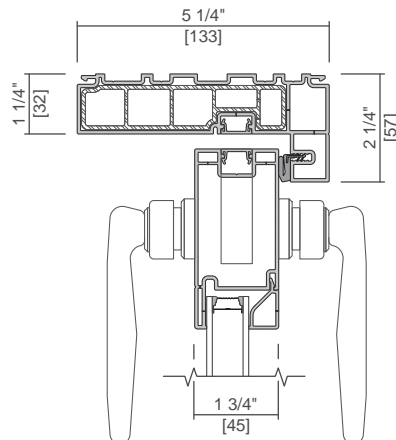
REPLACEMENT FRAME

Standard Block Frame

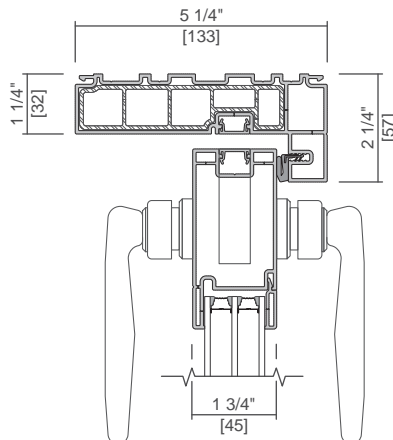


GLAZING OPTIONS

1 1/16" IG



1" Triple IG



Scale 3" = 1' 0"

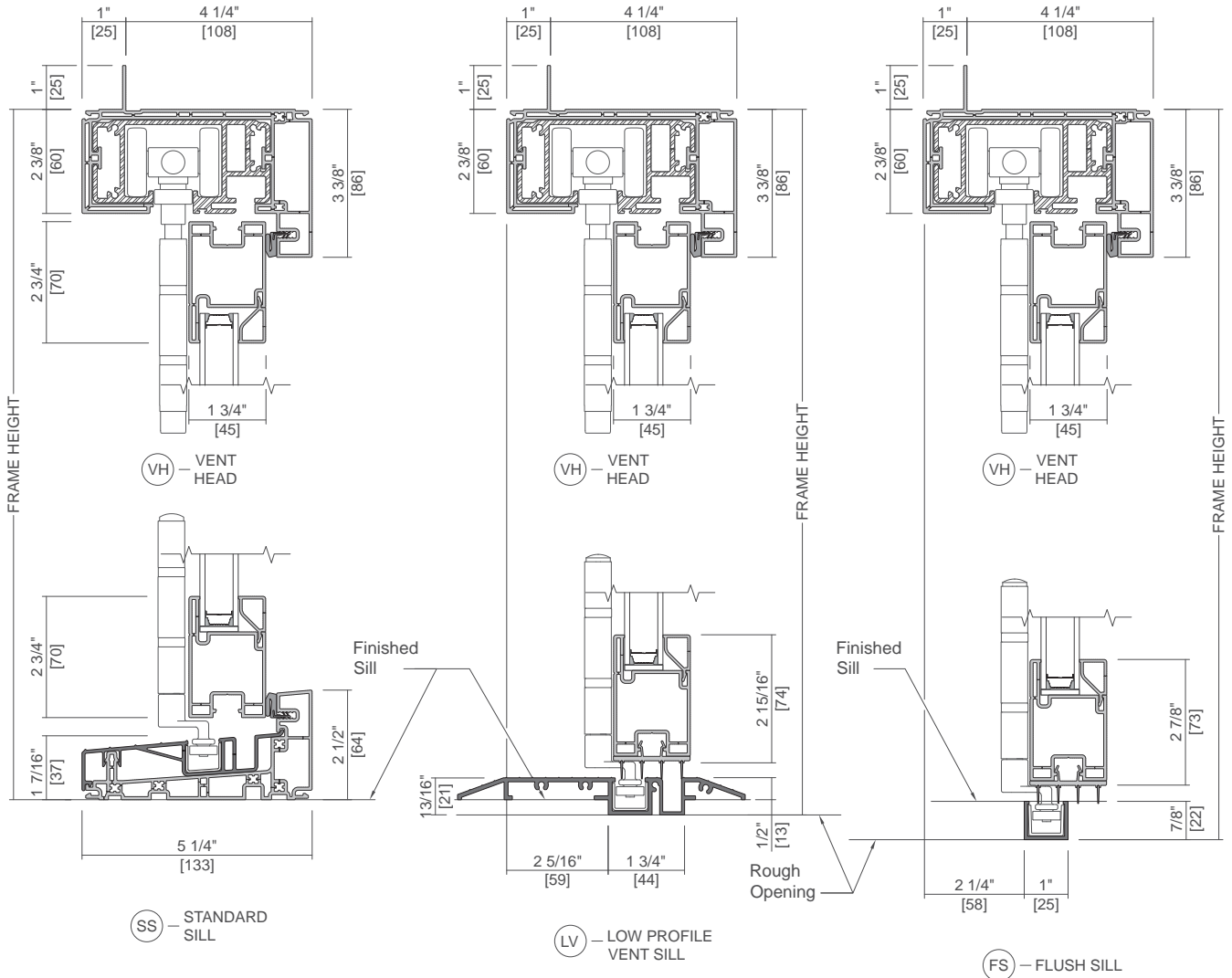
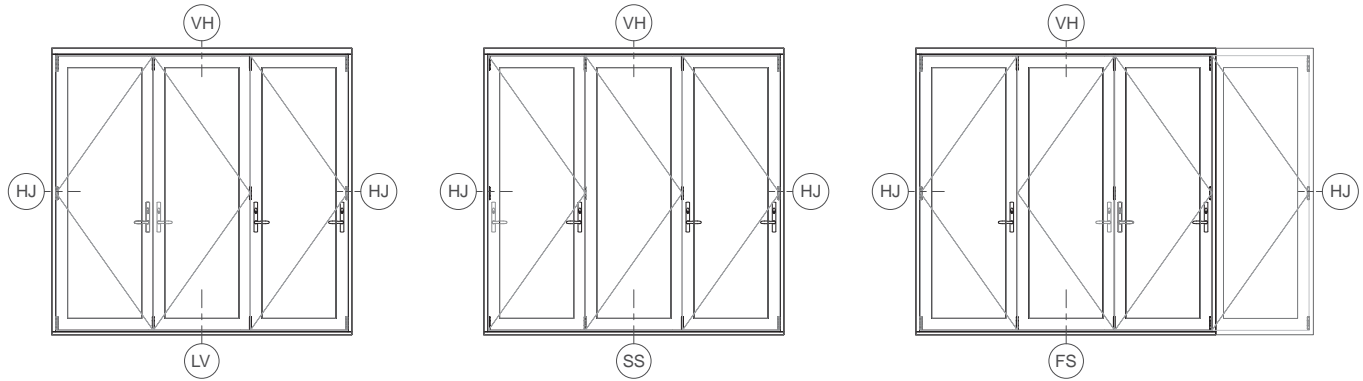
Combinations require reinforcing mullions between units.

All dimensions are approximate.



250 Series Premium Bifold Door

Unit Sections - 1" Fin Setback



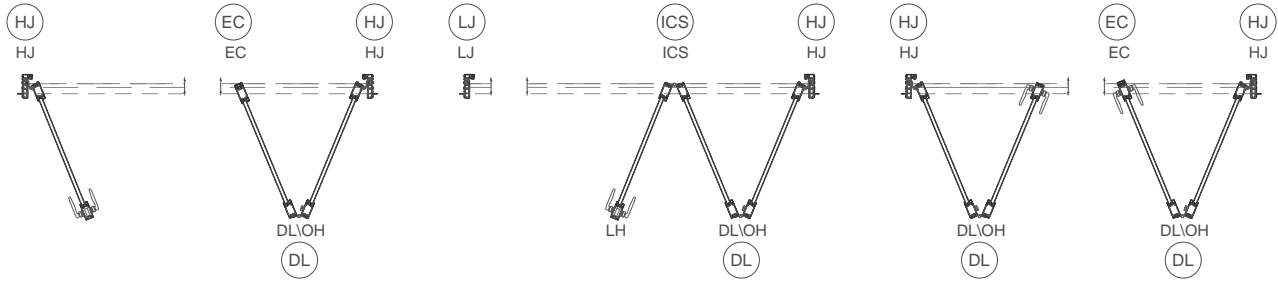
Scale 3" = 1' 0"

All dimensions are approximate.



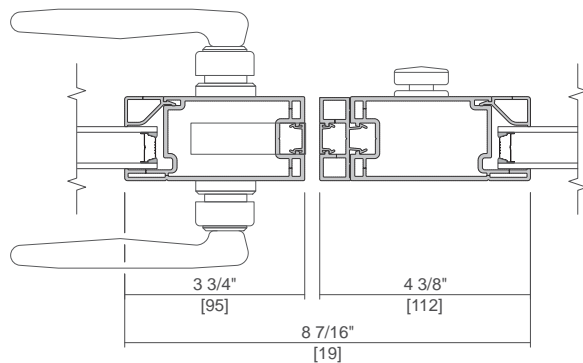
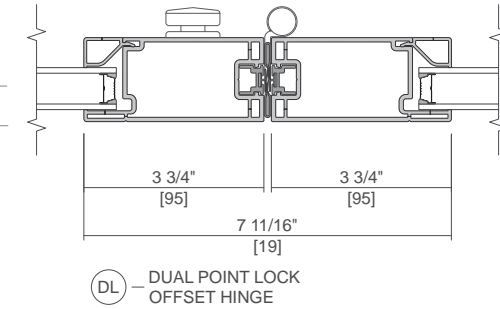
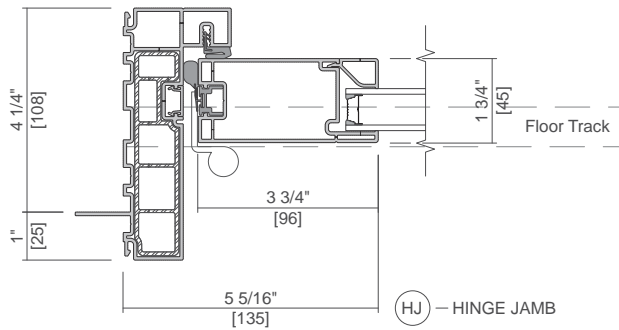
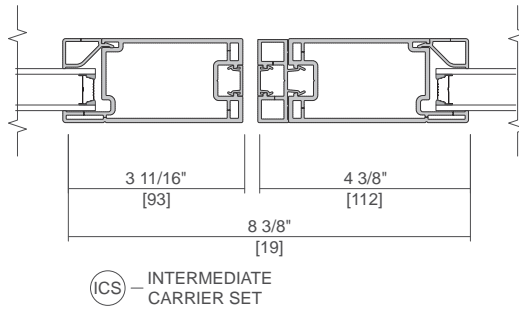
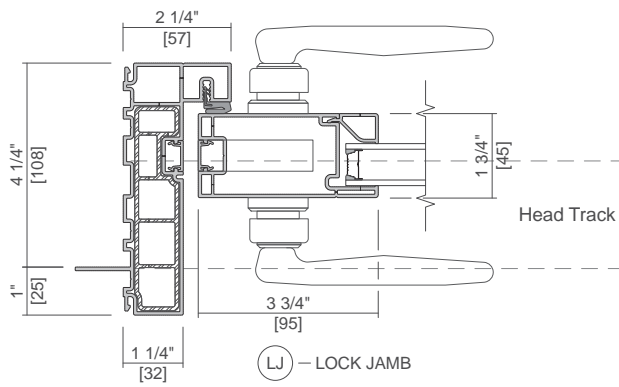
250 Series Premium Bifold Door

Unit Sections - 1" Fin Setback



Head Track

Floor Track



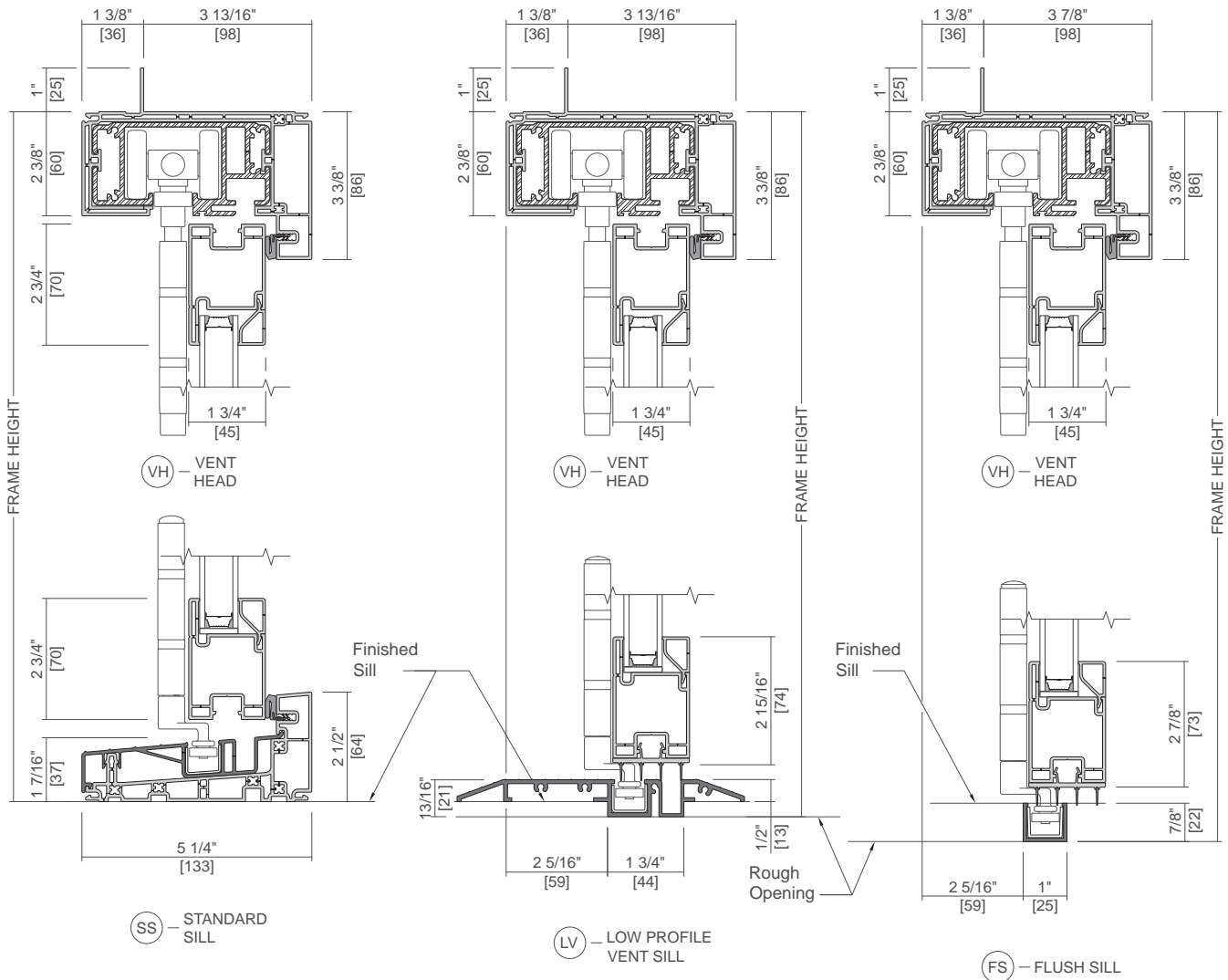
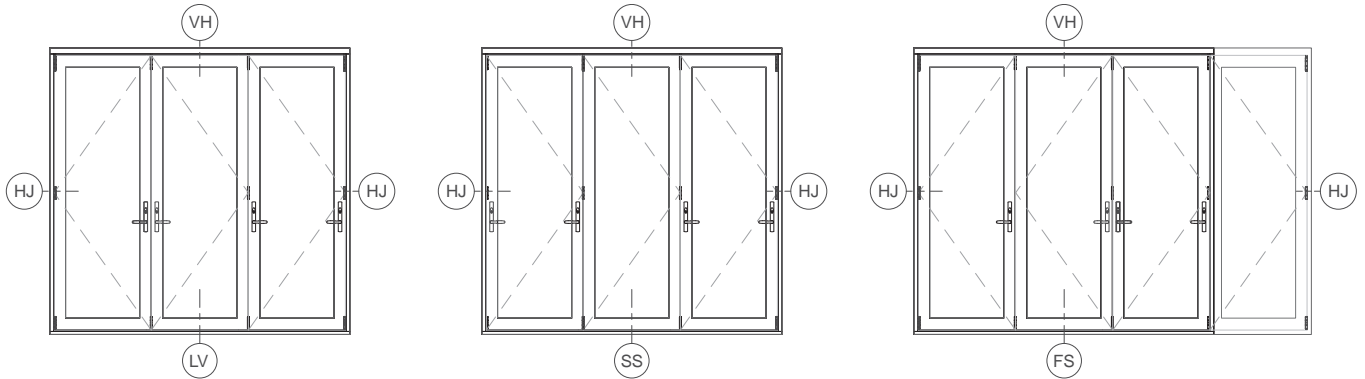
Scale 3" = 1' 0"

All dimensions are approximate.



250 Series Premium Bifold Door

Unit Sections - 1-3/8" Fin Setback



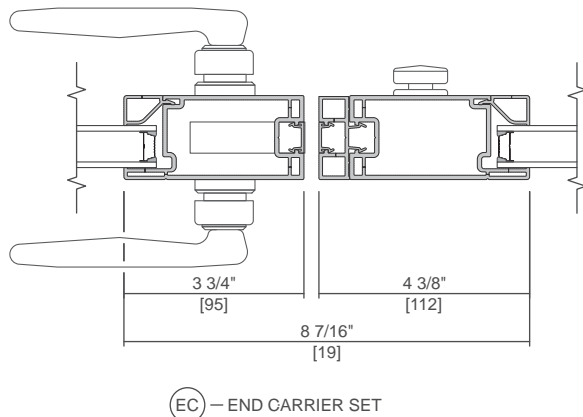
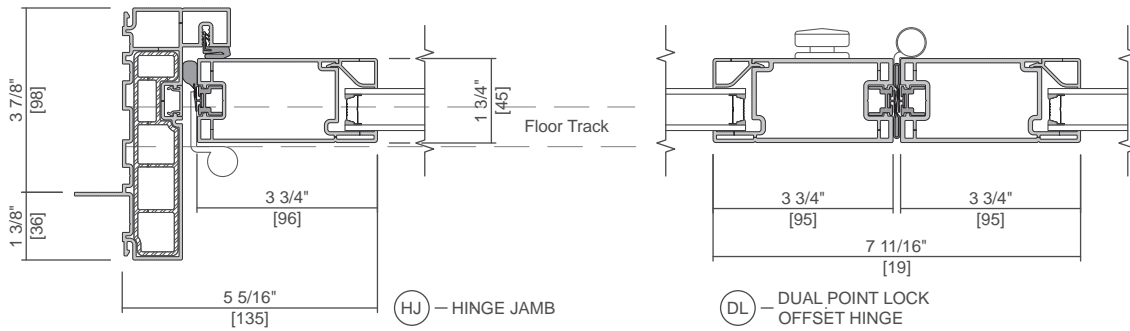
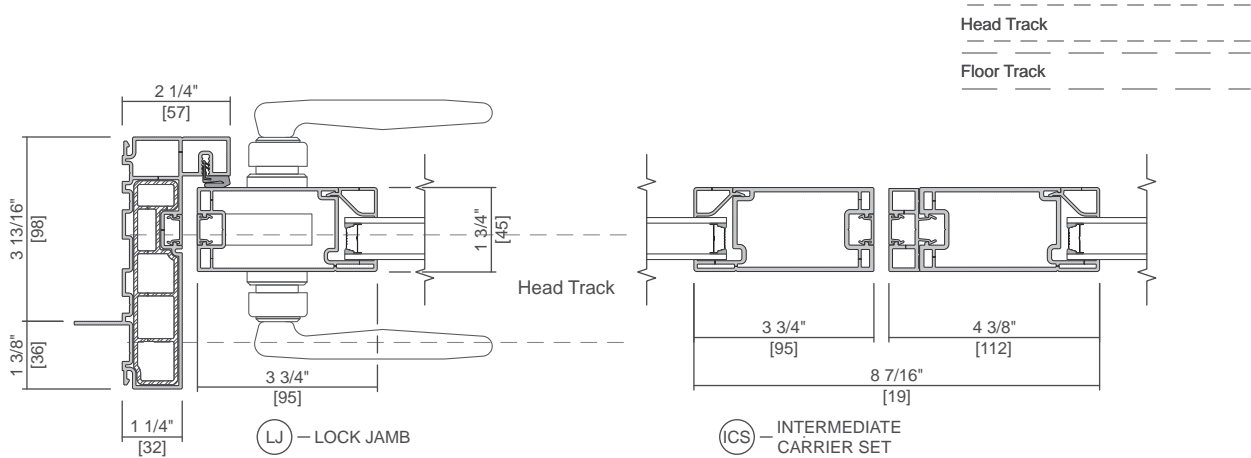
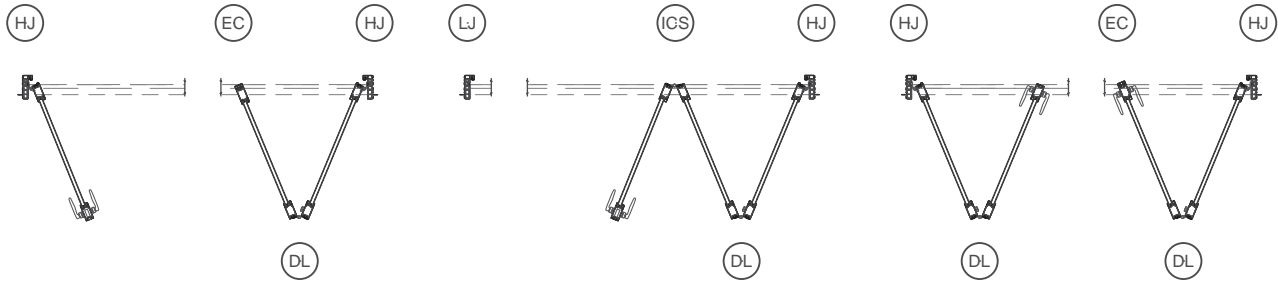
Scale 3" = 1' 0"

All dimensions are approximate.



250 Series Premium Bifold Door

Unit Sections - 1-3/8" Fin Setback



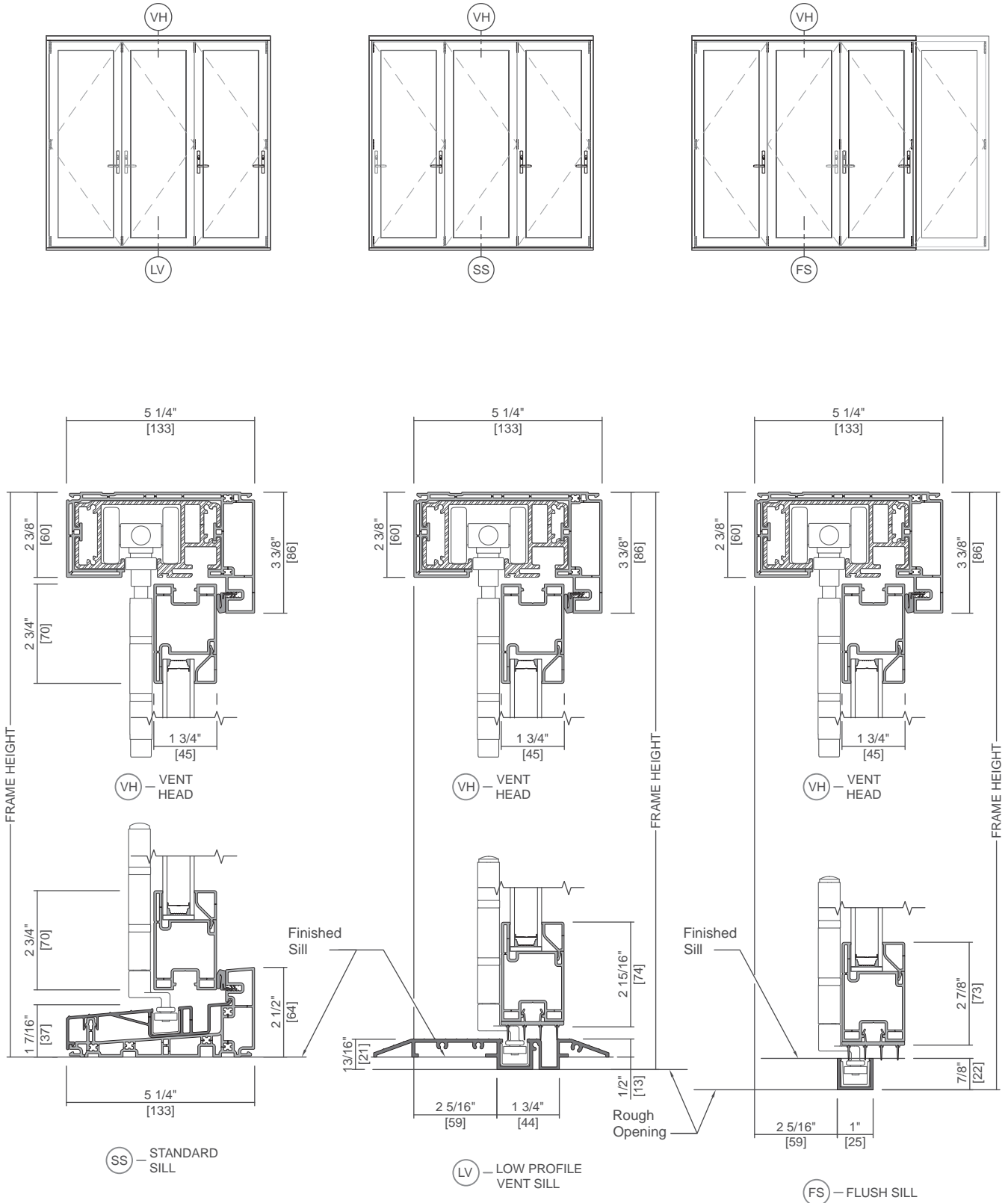
Scale 3" = 1' 0"

All dimensions are approximate.



250 Series Premium Bifold Door

Unit Sections - Block Frame



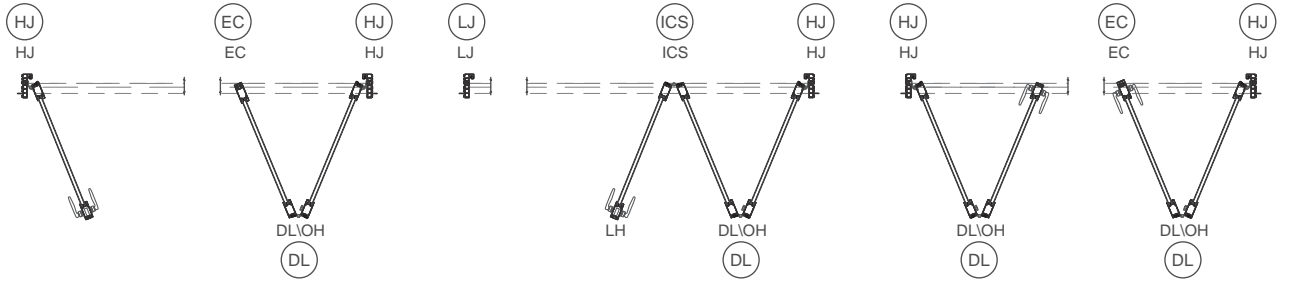
Scale 3" = 1' 0"

All dimensions are approximate.



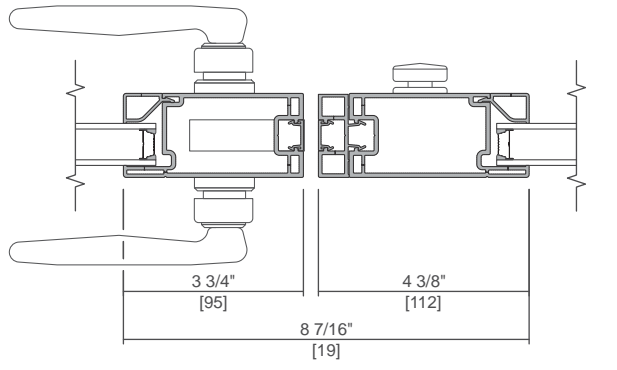
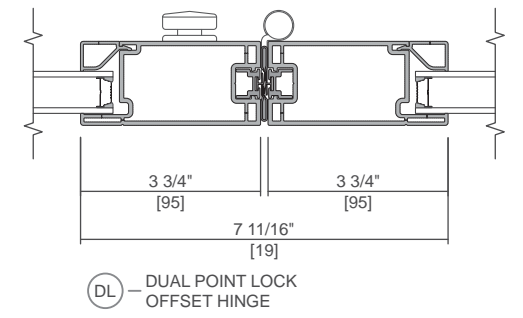
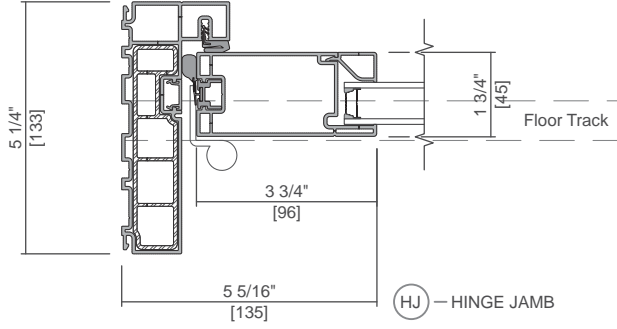
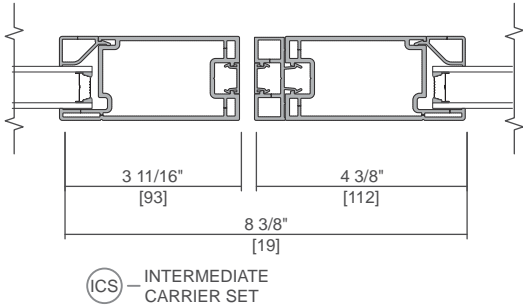
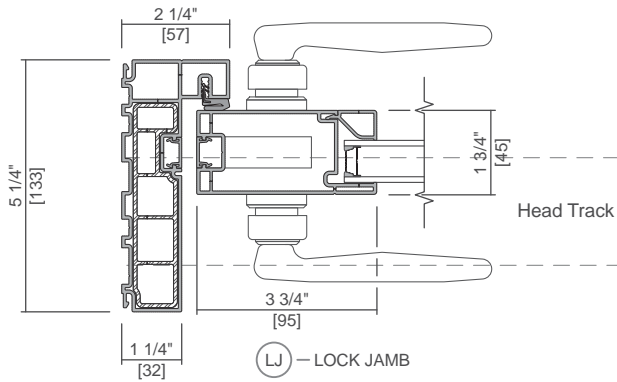
250 Series Premium Bifold Door

Unit Sections - Block Frame



 Head Track

 Floor Track



EC - END CARRIER SET

Scale 3" = 1' 0"
 All dimensions are approximate.