



Product Selection Guide

Size and Performance Data.....	250-HPD-2
Sound Transmission Class and Outdoor-Indoor Transmission Class	250-HPD-2
Features and Options.....	250-HPD-3
Glazing Performance.....	250-HPD-4
Special Sizes and Dimensions	250-HPD-5
Design Data	250-HPD-7
Detailed Product Description.....	250-HPD-8

Unit Sections

Frame Types Overview.....	250-HPD-9
In-swing 1" Setback Nail Fin.....	250-HPD-11
In-swing 1-3/8" Setback Nail Fin	250-HPD-14
In-Swing Flush Flange	250-HPD-17
In-Swing Block Frame	250-HPD-20
Out-Swing 1" Setback Nail Fin.....	250-HPD-23
Out-swing 1-3/8" Setback Nail Fin.....	250-HPD-26
Out-Swing Flush Flange	250-HPD-29
Out-Swing Block Frame.....	250-HPD-32

Document Navigation Tips:

Items listed in the table of contents above are active links that will take you to the corresponding page.

The Pella logo on each page is a link back to this table of contents.

Bookmarks are also included in this PDF document and are available as an additional navigation option.

The information published in this document is believed to be accurate at the time of publication. However, because we are constantly working to improve our products, specifications are subject to change without notice. Consult your local Pella representative for regional availability and up-to-date product information.



250 Series Premium Hinged Patio Doors

Size and Performance Data

Premium Hinged Patio Door

Sizes	
Standard Sizes ₁	S
Special Sizes Available Built on 1/8" Increments	O
Frames	
Nail Fin - 1" setback for 4-1/2" Wall Depth and 1-3/8" setback for 3-7/8" setback	S
Block Frame - 5-1/4" Frame Depth	S
Flush Flange - 5" Wall Depth	O
Performance ₂	
Meets or Exceeds AAMA/WDMA Ratings	LC-PG25 - PG30
Air Infiltration ₄ (cfm/ft ² of frame @ 1.57 psf wind pressure)	1.6 psf
Design Pressure (psf)	25 - 30 psf
Water Resistance (psf)	3.76 - 4.59 psf
Forced Entry ₃	10

Sound Transmission Class and Outdoor-Indoor Transmission Class

Frame Size Tested	Glazing System				STC Rating	OITC Rating
	Overall Glazing Thickness	Exterior Glass Thickness	Interior Glass Thickness	Third Pane Thickness		
Hinged Door – Dual-Pane Insulating Glass						
–	7/8"	3mm	3mm	–	30	25
Hinged Door – Triple-Pane Insulating glass						
–	1-1/4"	3mm	3mm	3mm	30	25

S = Standard; O = Optional; (–) = Not Available

(1) See size charts in this section for available sizes.

(2) Published performance data is for single unit only.

(3) The higher the level, the greater the product's ability to resist forced entry.

The presence of low-E or argon have negligible effect on sound attenuation characteristics.

Performance with additional options may not be the same as Standard and Special size units. Please contact your local Pella representative for complete information.



250 Series Premium Hinged Patio Doors

Features and Options

	250 Series Premium Hinged Patio Door
Glazing	
Glazing Type	
Dual-pane insulating glass	S
Triple-pane insulating glass	O
Insulated Glass Options / Low-E Types	
Advanced Low-E	S
SunDefense™ Low-E	O
Additional Glazing Options	
Tempered Glass	S
Gas Fill / High Altitude	
Argon	S
High altitude	O
Interior/Exterior Color	
White Interior/White Exterior	S
Beige Interior/Beige Exterior	O
White Interior/Brown Exterior	O
Black Interior/Black Exterior	O
White Interior/Black Exterior	O
Door Handle Finishes	
Color matched to frame	S
Additional Interior Finishes (Satin Nickel)	O
Keyed Lock	O

S = Standard; O = Optional

(1) Not available with triple-pane glazing.



250 Series Premium Hinged Patio Doors

Glazing Performance - Total Unit

Glazing Thickness	Type of Glazing	NFRC Certified Product #	Glass (mm)		Gap Fill	Performance Values ₁				Shaded Areas Meet ENERGY STAR® Performance Criteria in Zones Shown				
			Ext.	Int.		U-Factor	SHGC	VLT	CR	U. S.		Canada ₂		
										Zone	ER	Zone	ER	Zone
3/4" Dual-Pane Insulating glass										N	NC	SC	S	CA
3/4"	Advanced Low-E IG	WDI-A-35-01153-00001	3	3	air	0.38	0.25	0.45	46					
3/4"	Advanced Low-E IG	WDI-A-35-01465-00001	3	3	argon	0.35	0.24	0.45	46					
3/4"	Advanced Low-E IG	WDI-A-35-01181-00001	5	5	air	0.38	0.24	0.44	46					
3/4"	Advanced Low-E IG	WDI-A-35-01493-00001	5	5	argon	0.35	0.24	0.44	46					
3/4"	SunDefense+ Low-E IG	WDI-A-35-01191-00001	3	3	air	0.38	0.19	0.42	46					
3/4"	SunDefense™ Low-E IG	WDI-A-35-01503-00001	3	3	argon	0.35	0.18	0.42	46					
3/4"	SunDefense™ Low-E IG	WDI-A-35-01219-00001	5	5	air	0.37	0.19	0.41	46					
3/4"	SunDefense™ Low-E IG	WDI-A-34-02647-00001	5	5	argon	0.34	0.18	0.41	46					

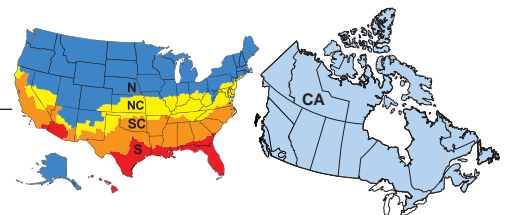
Glazing Thickness	Type of Glazing	NFRC Certified Product #	Glass (mm)			Gap Fill	Performance Values ₁				Shaded Areas Meet ENERGY STAR® Performance Criteria in Zones Shown				
			Ext.	Middle	Int.		U-Factor	SHGC	VLT	CR	U. S.		Canada ₂		
											Zone	ER	Zone	ER	Zone
1" Triple-Pane Insulating glass										N	NC	SC	S	CA	
1-1/4"	SunDefense™ Low-E IG	WDI-A-35-01673-00001	3	3	3	argon	0.27	0.16	0.30	45	N	NC	SC	S	
1-1/4"	SunDefense™ Low-E IG	WDI-A-35-01685-00001	4	4	4	argon	0.28	0.16	0.30	45	N	NC	SC	S	

R-Value = 1/U-Factor
 SHGC = Solar Heat Gain Coefficient
 VLT % = Visible Light Transmission
 CR = Condensation Resistance
 ER = Canadian Energy Rating

(1) Glazing performance values are calculated based on NFRC 100, NFRC 200 and NFRC 500. ENERGY STAR® values are updated to 2023 (Version 7) criteria.

(2) The values shown are based on Canada's updated ENERGY STAR® 2020 initiative.


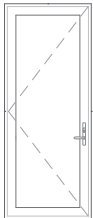
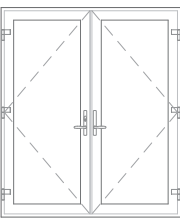
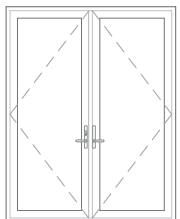

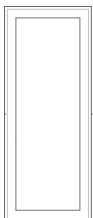
Visit www.energystar.gov for Energy Star guidelines.





250 Series Premium Hinged Patio Doors

Special Size and Dimensions

Type	Example	Frame Dimensions				Panel Dimensions				
		Min. Width	Min. Height	Max. Width	Max. Height	Min. Width	Min. Height	Max. Width	Max. Height	Max. Area
Single Door Out-Swing Left or Right		21-9/16" (548)	32-5/8" (829)	44-9/16" (1132)	102" (2591)	19" (483)	30" (762)	42" (1067)	99-3/8" (2524)	24 sq ft. (2.2 sq m)
Single Door In-Swing Left or Right		21-9/16" (548)	32-7/8" (835)	44-9/16" (1132)	102" (2591)	19" (483)	29-13/16" (757)	42" (1067)	98-15/16" (2513)	24 sq ft. (2.2 sq m)
Double Door Out-Swing Left or Right Primary		41-7/16" (1053)	32-5/8" (829)	87-3/8" (2219)	102" (2591)	19" (483)	30" (762)	42" (1067)	99-3/8" (2524)	24 sq ft. (2.2 sq m)
Double Door In-Swing Left or Right Primary		41-7/16" (1053)	32-7/8" (835)	87-3/8" (2219)	102" (2591)	19" (483)	29-13/16" (757)	42" (1067)	98-15/16" (2513)	24 sq ft. (2.2 sq m)
Transom		23-3/8" (594)	17-3/8" (441)	96" (2438)	45-1/8" (1146)	NA	NA	NA	NA	NA
Sidelite		17-5/16" (440)	23-3/8" (594)	45-1/8" (1146)	102" (2591)	NA	NA	NA	NA	NA

General Notes:

- Special sizes are available within the parameters shown on 1/16" increments.
- FH = Rough Opening - 0.5"; FW = Rough Opening - 0.5"
- Max frame height measurements apply only to units with standard sills.
- The combined frame width and frame height cannot exceed a panel square footage of 24 sq. ft.
- Fixed Sidelight and Fixed Transom Min & Max sizes are intended for combination units only, stand-alone units aren't available

To convert areas to square meters (m²), multiply square feet by 0.0929.



250 Series Premium Hinged Patio Doors

Special Size and Dimensions

Miscellaneous Formulas

	Out-Swing Doors		In-Swing Doors	
	Standard Sill	Low Profile Sill	Standard Sill	Low Profile Sill
Panel	$PH = FH - 2.625$	$PH = FH - 2.875$	$PH = FH - 3$	$PH = FH - 2.875$
	Single PW = $FW - 2.5625$		Single PW = $FW - 2.5625$	
	Double PW = $(FW \div 2) - 1.6875$		Double PW = $(FW \div 2) - 1.6875$	
Actual Glass	Glass Height = $FH - 8.773$	Glass Height = $FH - ?$	Glass Height = $FH - 9.088$	Glass Height = $FH - ?$
	Single Doors Glass Width = $PW - 8.71$		Single Doors Glass Width = $FW - 8.71$	
	Double Doors Glass Width = $(FW \div 2) - 7.843$		Double Doors Glass Width = $(FW \div 2) - 7.843$	
Visible Glass	VG Height = Frame Height - 10.125	Glass Height = $FH - ?$	VG Height = Frame Height - 10.125	Glass Height = $FH - ?$
	Single Doors VG Width = Frame Width - 10.0625		Single Doors VG Width = Frame Width - 10.0625	
	Double Doors VG Width = $(FW \div 2) - 9.1875$		Double Doors VG Width = $(FW \div 2) - 9.1875$	
Clear Opening Height	= $FH - 4.075"$	= $FH - 2.225$	= $FH - 4.075"$	= $FH - 2.225$
Clear Opening Width @ 90 Degrees	Single Door = $FW - 5$		Single Door = $FW - 5$	
	Double Door (Active/Single Panel) = $(FW \div 2) - 4.106$		Double Door (Active/Single Panel) = $(FW \div 2) - 4.106$	
	Double Door (Both Panels) = $FW - 6.559$		Double Door (Both Panels) = $FW - 6.559$	
Clear Opening Width @ 172 Degrees	Single Door = $FW - 3.45$		Single Door = $FW - 3.45$	
	Double Door (Active/Single Panel) = $(FW \div 2) - 2.552$		Double Door (Active/Single Panel) = $(FW \div 2) - 2.552$	
	Double Door (Both Panels) = $FW - 3.45$		Double Door (Both Panels) = $FW - 3.45$	

Dimensions shown in inches.

To convert areas to square meters (m²), multiply square feet by 0.0929.



250 Series Premium Hinged Patio Doors

Design Data

Standard Sizes

Premium Hinged Doors Design Data												
Unit	Venting	Clear Opening (Inches) ₁				Vent Area (Standard Sill) Ft ²	Vent Area (Low-Profile Sill) Ft ²	Visible Glass Ft ²		Standard Glass Thickness (mm) Tempered		Performance Class & Grade ²
		Width @ 172°	Width @ 90°	Standard Sill Height	Low-Profile Sill Height			Standard Sill	Low- Profile Sill	Dual-Pane Glazing	Triple-Pane Glazing	
In-Swing												
3396	L/R	29.1	27.6	91.6	93.4	18.5	18.9	13.3	13.4	3	—	LC25
3996	L/R	35.1	33.6	91.6	93.4	22.3	22.8	16.9	17.0	3	—	LC25
6496	AP/PA	58.3	55.1	91.6	93.4	37.0	37.8	13.3	13.4	3	—	LC25
7696	AP/PA	70.3	67.1	91.6	93.4	44.7	45.6	16.9	17.0	3	—	LC25
Out-Swing												
3396	L/R	29.1	27.6	91.2	93.0	18.4	18.8	13.3	13.4	3	—	LC30
3996	L/R	35.1	33.6	91.2	93.0	22.2	22.7	16.9	17.0	3	—	LC30
6496	AP/PA	58.3	55.1	91.2	93.0	36.9	37.6	13.3	13.4	3	—	LC25
7696	AP/PA	70.3	67.1	91.2	93.0	44.5	45.4	16.8	17.0	3	—	LC25

(—) = Not Available

(1) Maximum performance when glazed with the appropriate glass thickness. Second Value, where shown, requires performance upgrade.

To convert areas to square meters (m²), multiply square feet by 0.0929.



250 Series Premium Hinged Patio Doors

Detailed Product Description - Premium Doors

Frame

- Overall frame depth: 5-1/4".
- Frame members are mitered and heat-fused fully welded.
- Frame: [1" setback for nail fin for 4-1/4" wall depth and 1-3/8" setback for nail fin for 3-7/8" wall depth] [Block Frame for 5-1/4" wall depth] [Flush Flange for 5" wall depth].
- Sill options: [Standard] [Low-profile].
- Interior and exterior frame surfaces are extruded rigid uPVC.

Door Panel

- 3-3/4" x 1-3/4" vinyl panel with internal aluminum reinforcement.
- Door panel consists of extruded, rigid uPVC.
- Panel members are mitered and heat-fused to provide a fully welded corner assembly.
- Contains sealed insulating glass.

Weatherstripping

- Foam-backed weatherstripping on the main frame.

Glazing System

- Interior face-glazed sealed insulating glass.
- Standard Dual-Pane tempered glass, with optional Triple-Pane upgrade.
- 7/8" Dual-Pane insulating glass [Advanced Low-E coated [with argon]] [SunDefense™ Low-E coated [with argon]] [High Altitude,] ^{or}
- 1-1/4" Triple-Pane insulating glass [SunDefense™ Low-E coated [with argon]] [High Altitude,].

Interior / Exterior

- Frame and panel members are [[White] [Beige] with integral color extruded throughout the profiles] ^{or}
- Brown laminate exterior, with White integral color extruded throughout the profiles on the interior. ^{or}
- Black laminate exterior, with optional [Black] laminate interior or White integral color extruded throughout the profiles on the interior."
- Sill: [Bronze Anodized] [Mill] finish options.
- All exposed PVC surfaces are smooth, glossy and uniform in appearance.

Hardware

- Interior handle and thumb-lock; finish is [White] [Black] [Satin Nickel].
- Exterior handle with optional keylock; finish is [White] [Black] [Satin Nickel].
- Multipoint locking hardware [Stainless Steel] located on both active and inactive panels.
- Adjustable contemporary hinges; finish is [White] [Bronze] [Silver Coated] [Black].

(1) Dual-Pane IG High Altitude glazing is only available without Argon. Triple-Pane IG High Altitude glazing is only available without Argon.

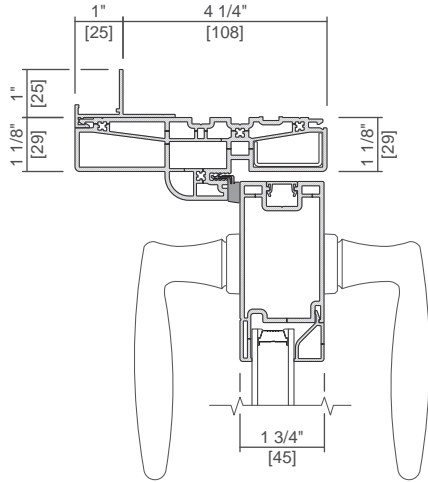


250 Series Premium Hinged Patio Doors

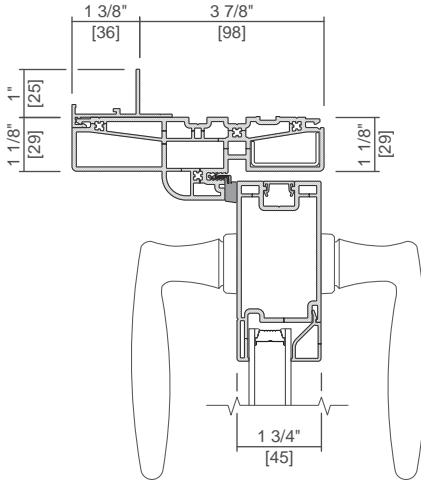
Unit Sections - Frame Types Overview, In-Swing

NEW CONSTRUCTION FRAME

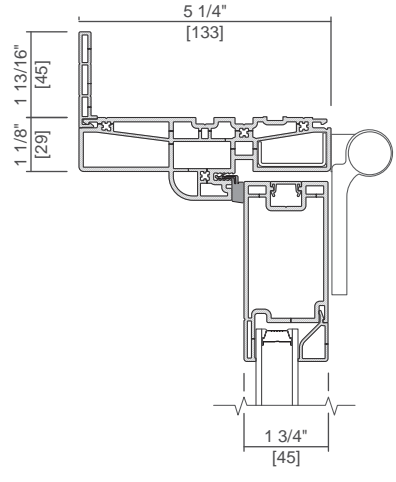
Standard 1" Nailing Fin



Standard 1 3/8" Nailing Fin

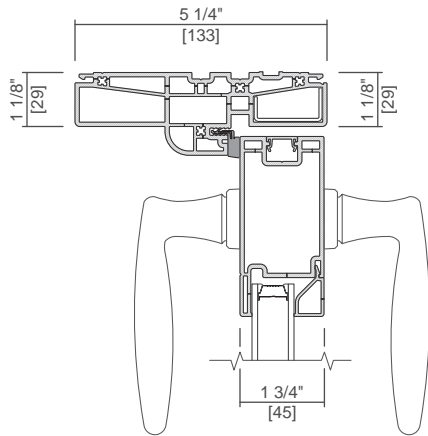


Flush Flange



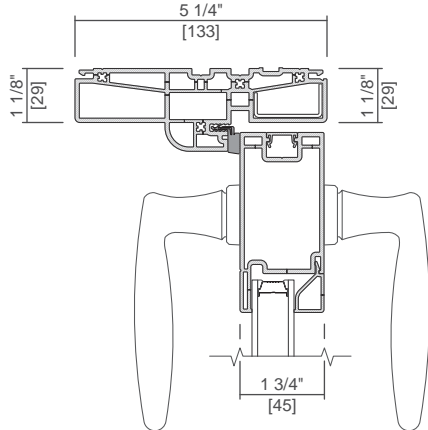
REPLACEMENT FRAME

Standard Block Frame

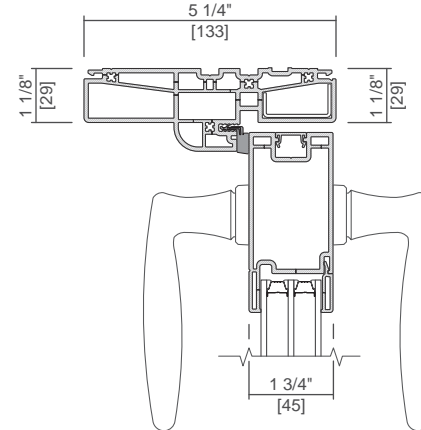


GLAZING OPTIONS

7/8" IG



1 1/4" Triple IG



Scale 3" = 1' 0"

All dimensions are approximate.

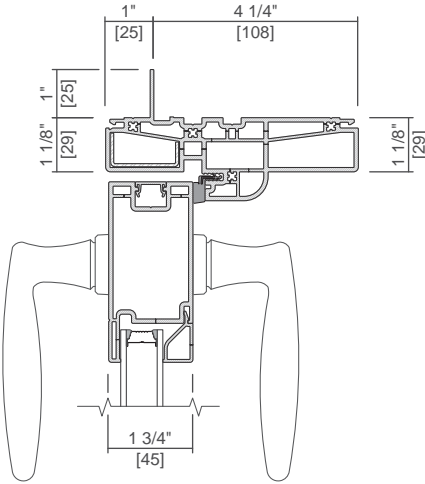


250 Series Premium Hinged Patio Doors

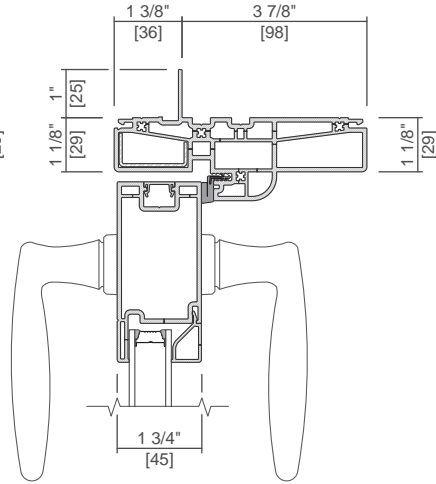
Unit Sections - Frame Types Overview, Out-Swing

NEW CONSTRUCTION FRAME

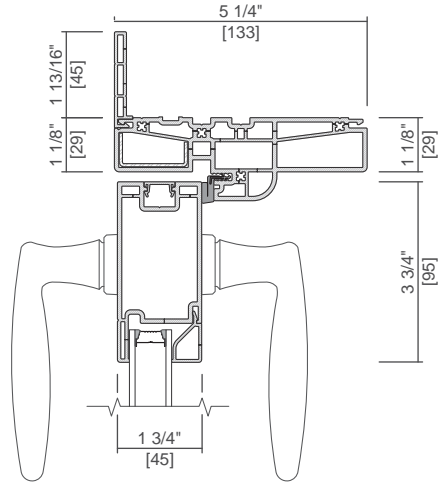
Standard 1" Nailing Fin



Standard 1 3/8" Nailing Fin

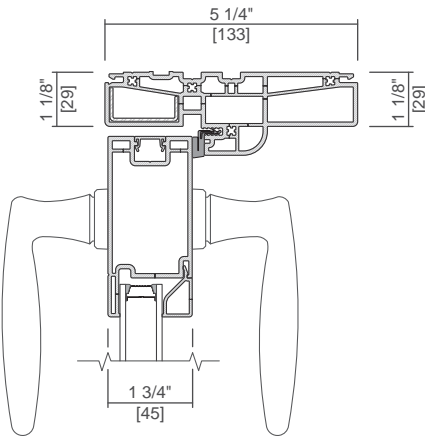


Flush Flange



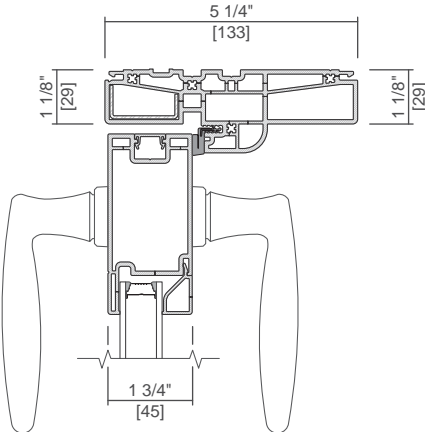
REPLACEMENT FRAME

Standard Block Frame

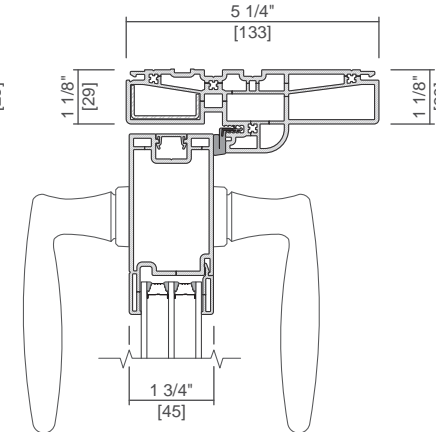


GLAZING OPTIONS

7/8" IG



1 1/4" Triple IG



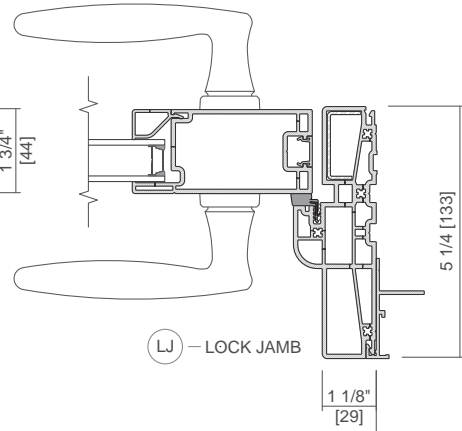
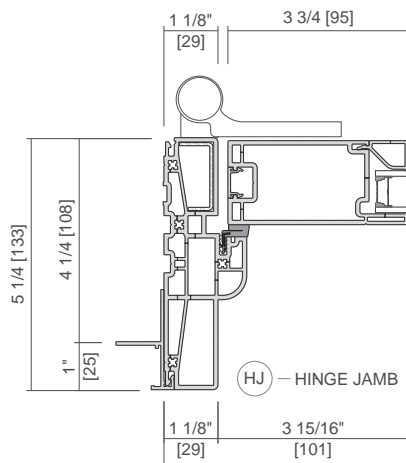
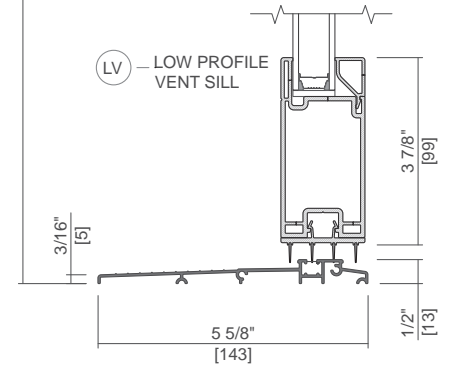
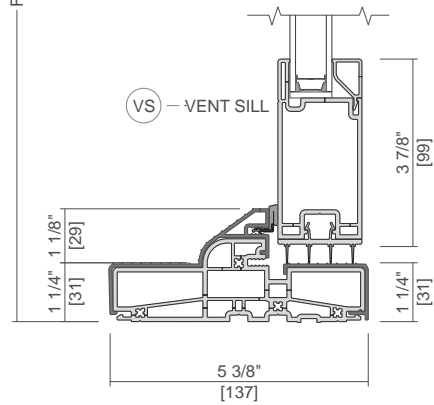
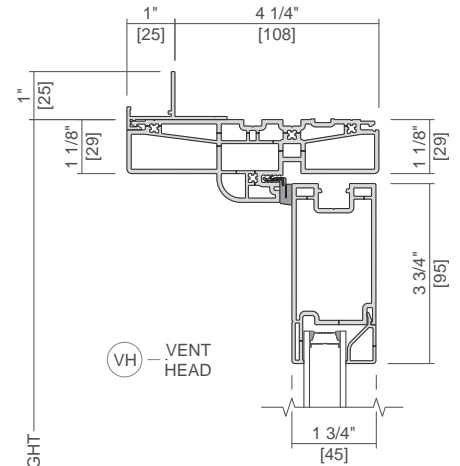
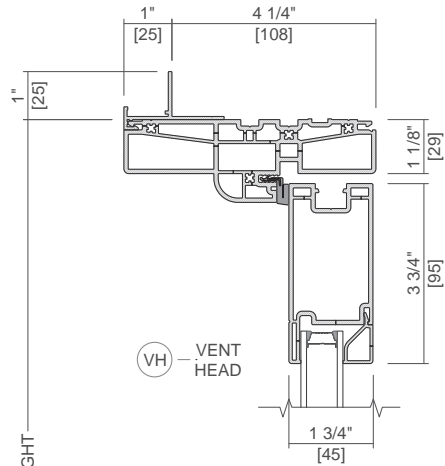
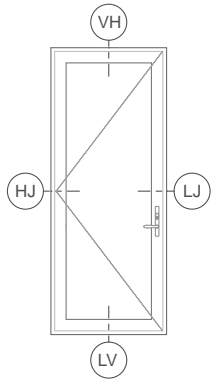
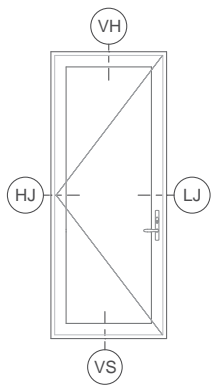
Scale 3" = 1' 0"

All dimensions are approximate.



250 Series Premium Hinged Patio Doors

Unit Sections - In-Swing 1" Fin Setback



FRAME WIDTH

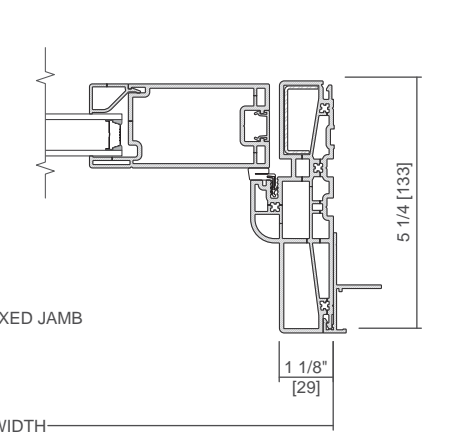
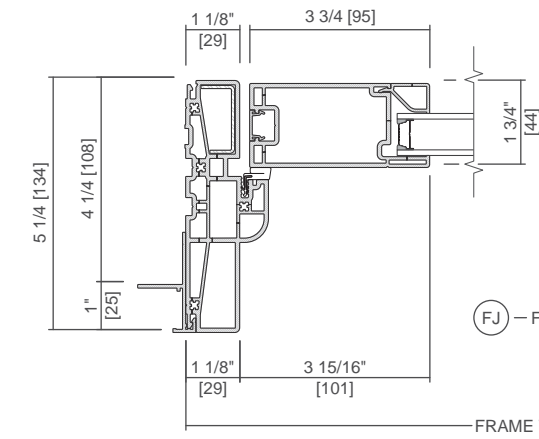
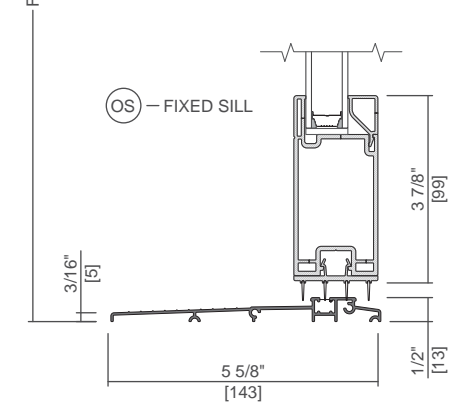
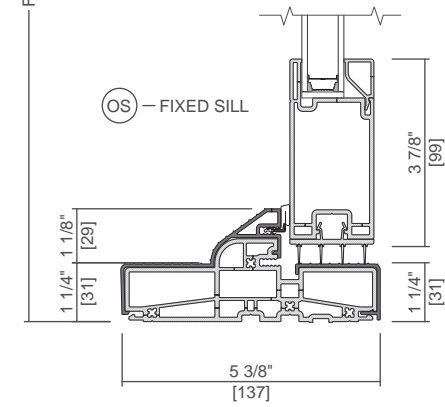
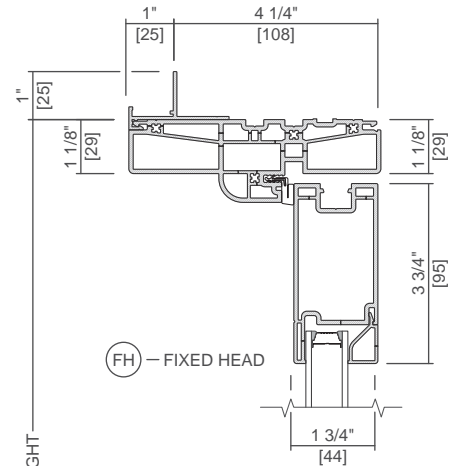
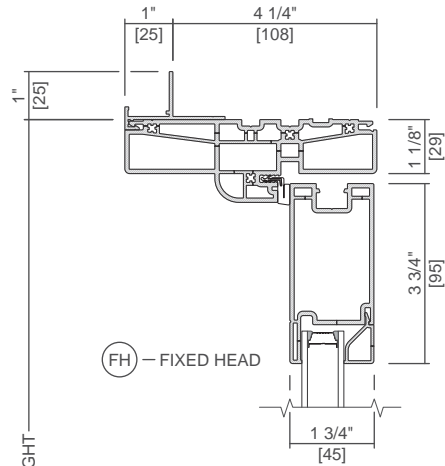
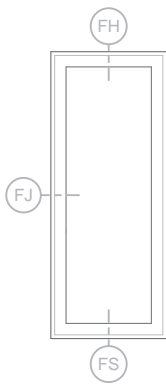
Scale 3" = 1' 0"

All dimensions are approximate.



250 Series Premium Hinged Patio Doors

Unit Sections - In-Swing 1" Fin Setback



Scale 3" = 1' 0"

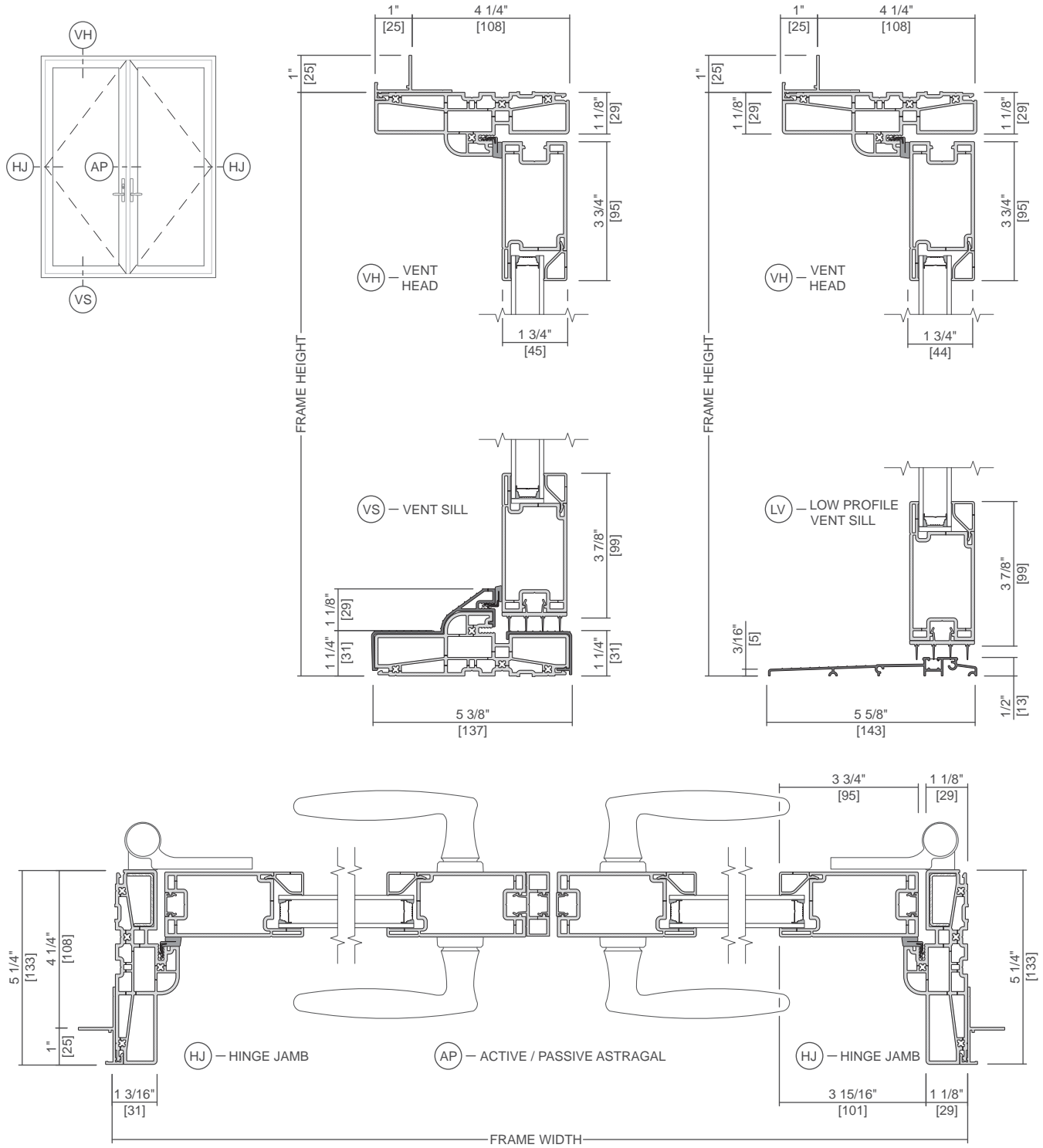
Combinations require reinforcing mullions between units.

All dimensions are approximate.



250 Series Premium Hinged Patio Doors

Unit Sections - In-Swing 1" Fin Setback



Scale 3" = 1' 0"

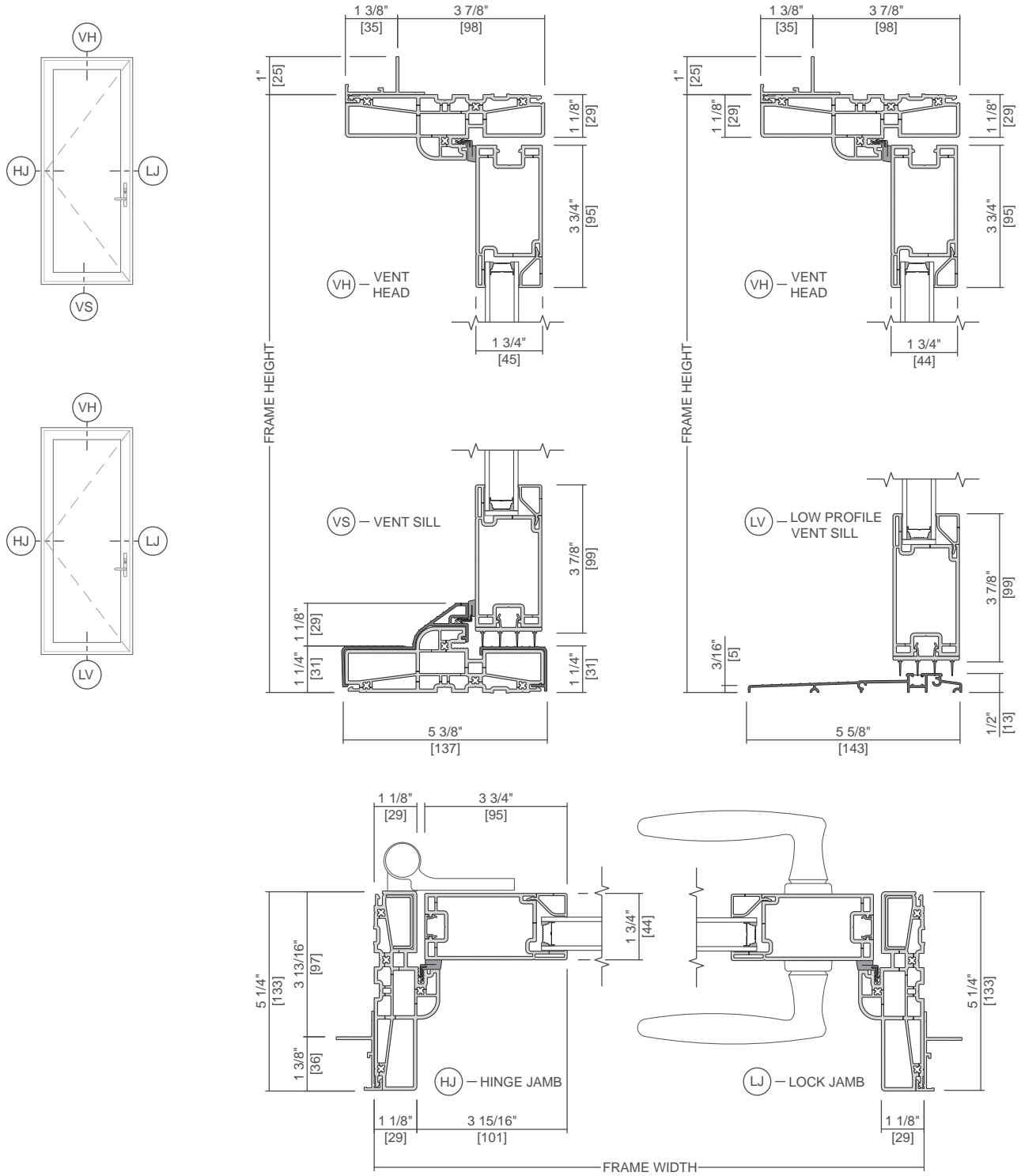
Combinations require reinforcing mullions between units.

All dimensions are approximate.



250 Series Premium Hinged Patio Doors

Unit Sections - In-Swing 1-3/8" Fin Setback



Scale 3" = 1' 0"

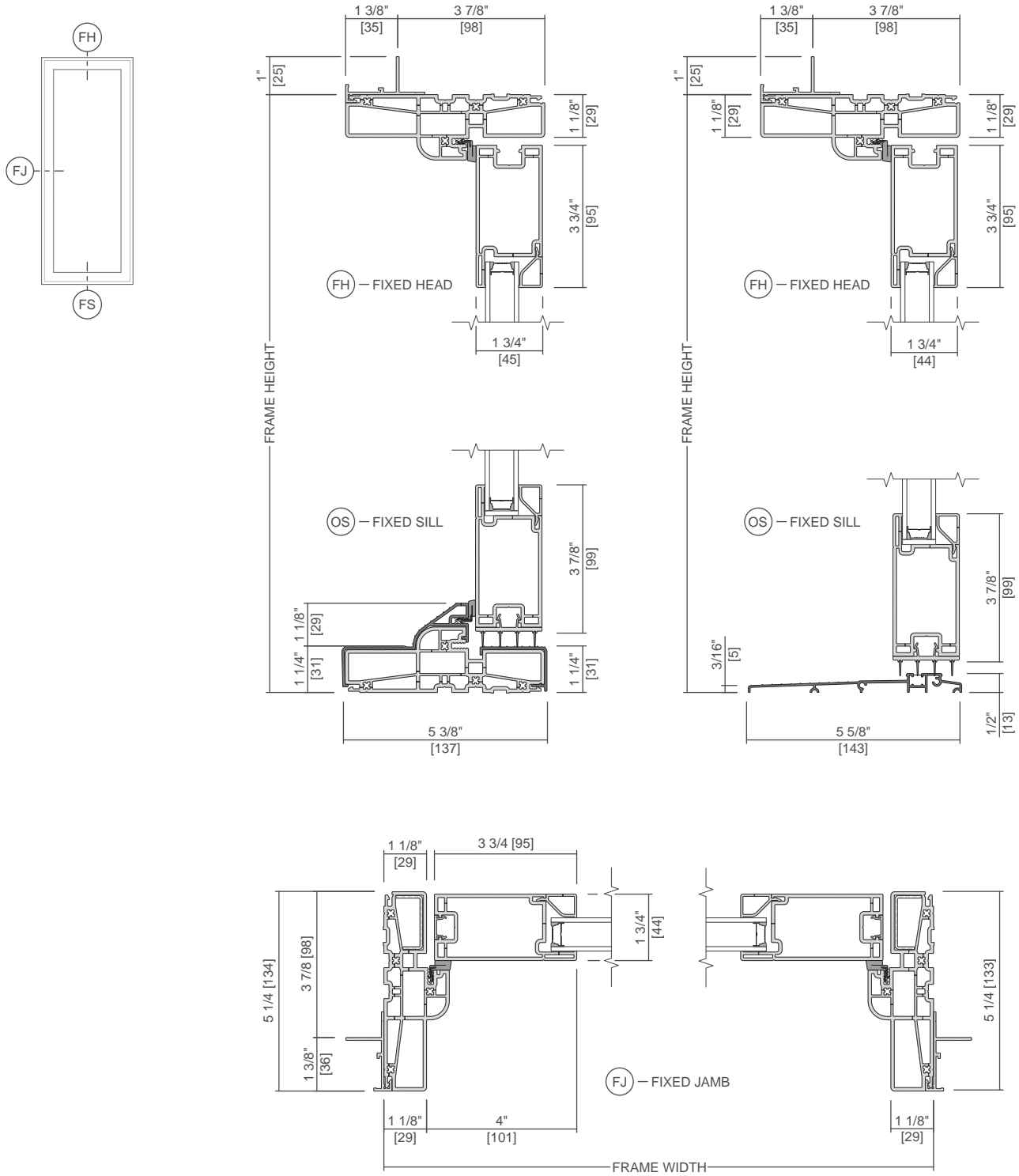
Combinations require reinforcing mullions between units.

All dimensions are approximate.



250 Series Premium Hinged Patio Doors

Unit Sections - In-Swing 1-3/8" Fin Setback



Scale 3" = 1' 0"

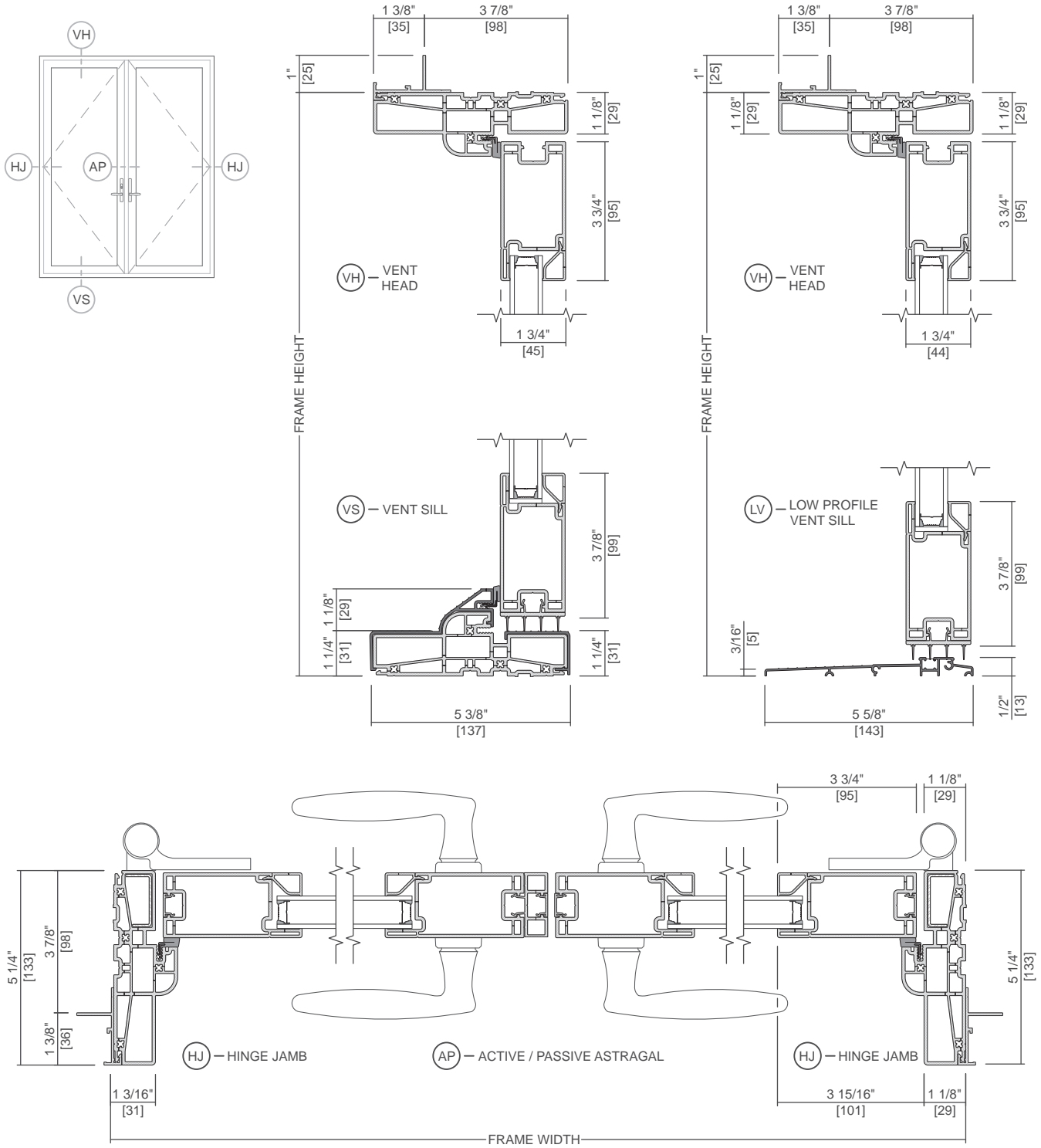
Combinations require reinforcing mullions between units.

All dimensions are approximate.



250 Series Premium Hinged Patio Doors

Unit Sections - In-Swing 1-3/8" Fin Setback



Scale 3" = 1' 0"

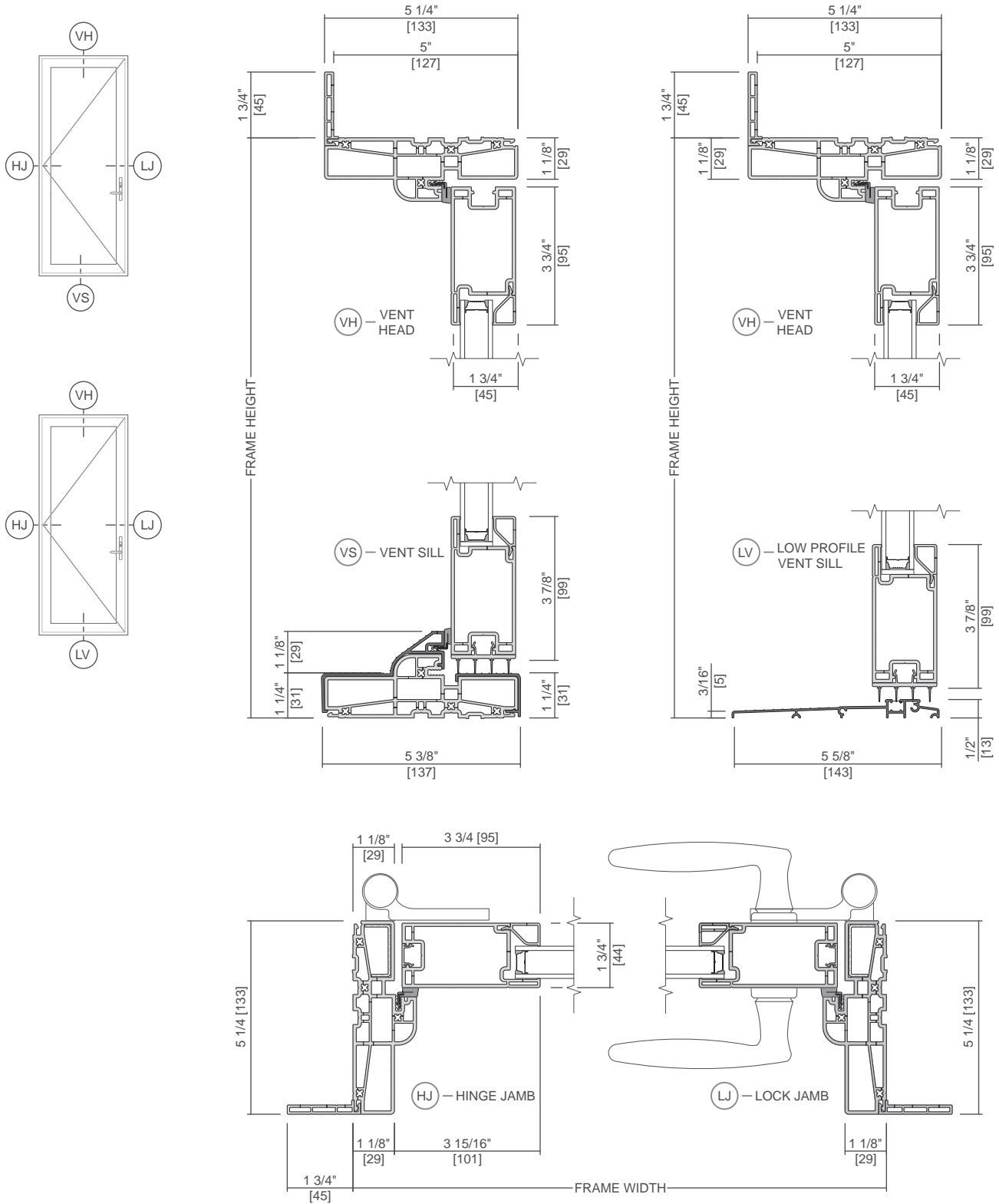
Combinations require reinforcing mullions between units.

All dimensions are approximate.



250 Series Premium Hinged Patio Doors

Unit Sections - In-Swing Flush Flange



Scale 3" = 1' 0"

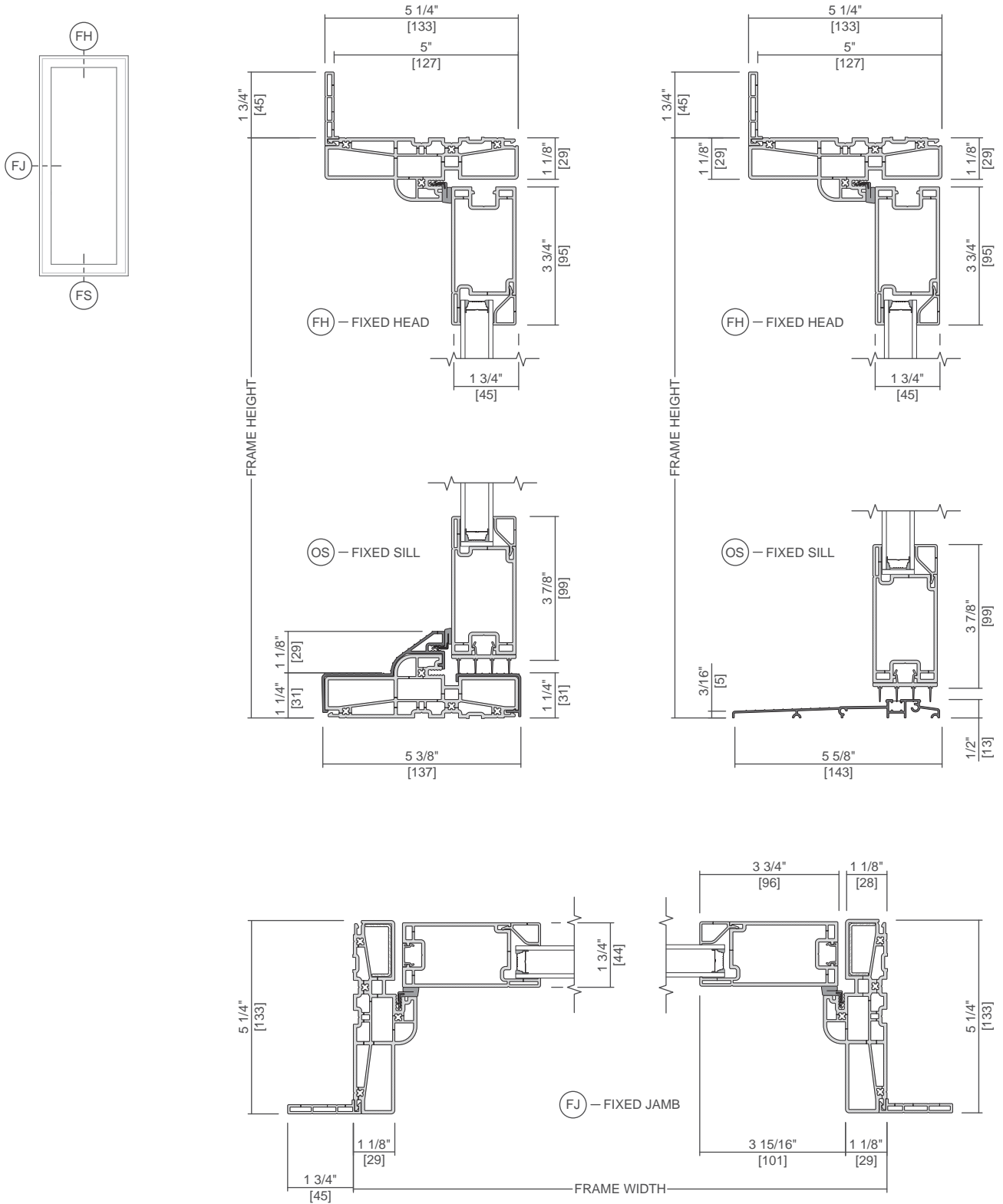
Combinations require reinforcing mullions between units.

All dimensions are approximate.



250 Series Premium Hinged Patio Doors

Unit Sections - In-Swing Flush Flange



Scale 3" = 1' 0"

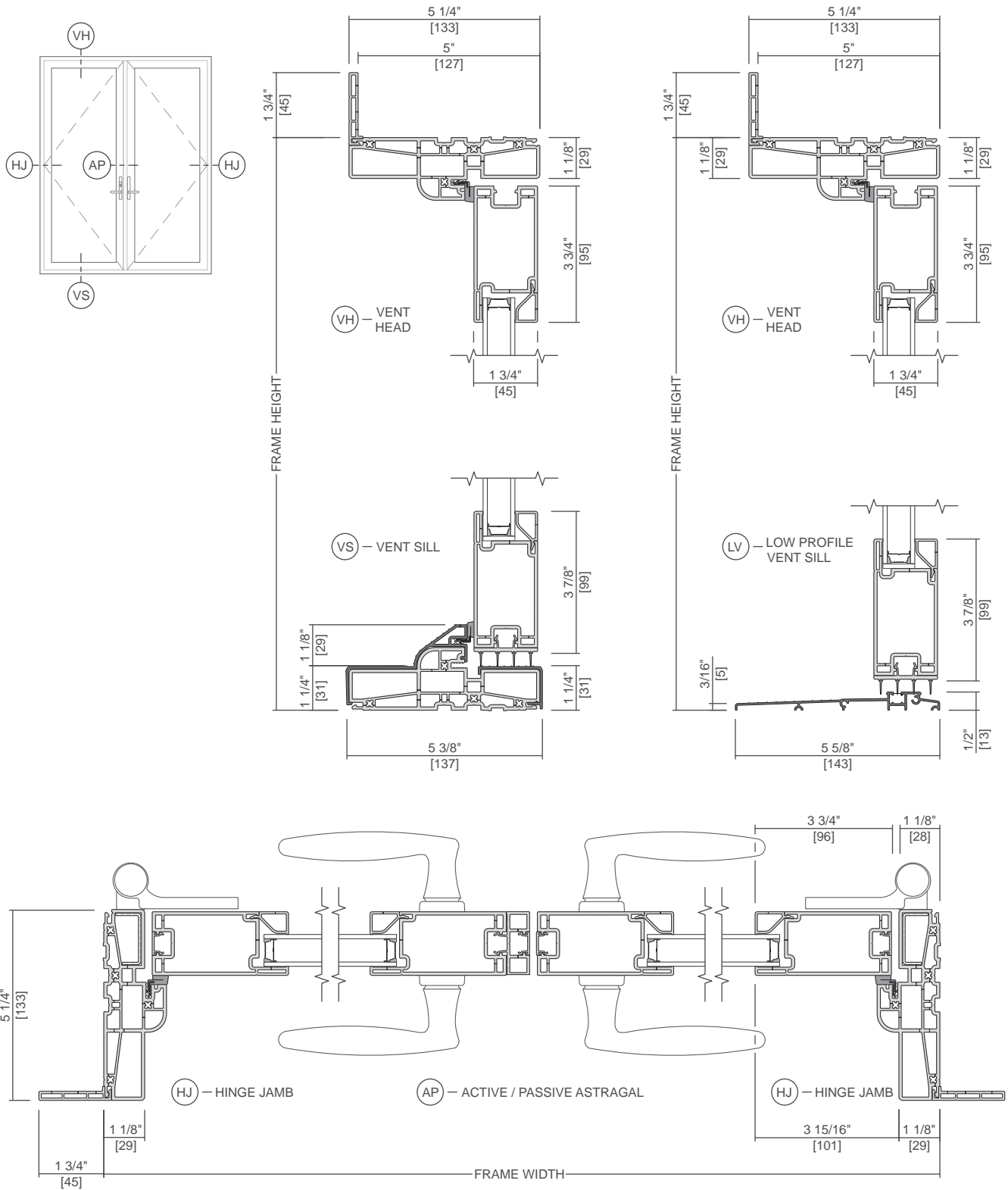
Combinations require reinforcing mullions between units.

All dimensions are approximate.



250 Series Premium Hinged Patio Doors

Unit Sections - In-Swing Flush Flange



Scale 3" = 1' 0"

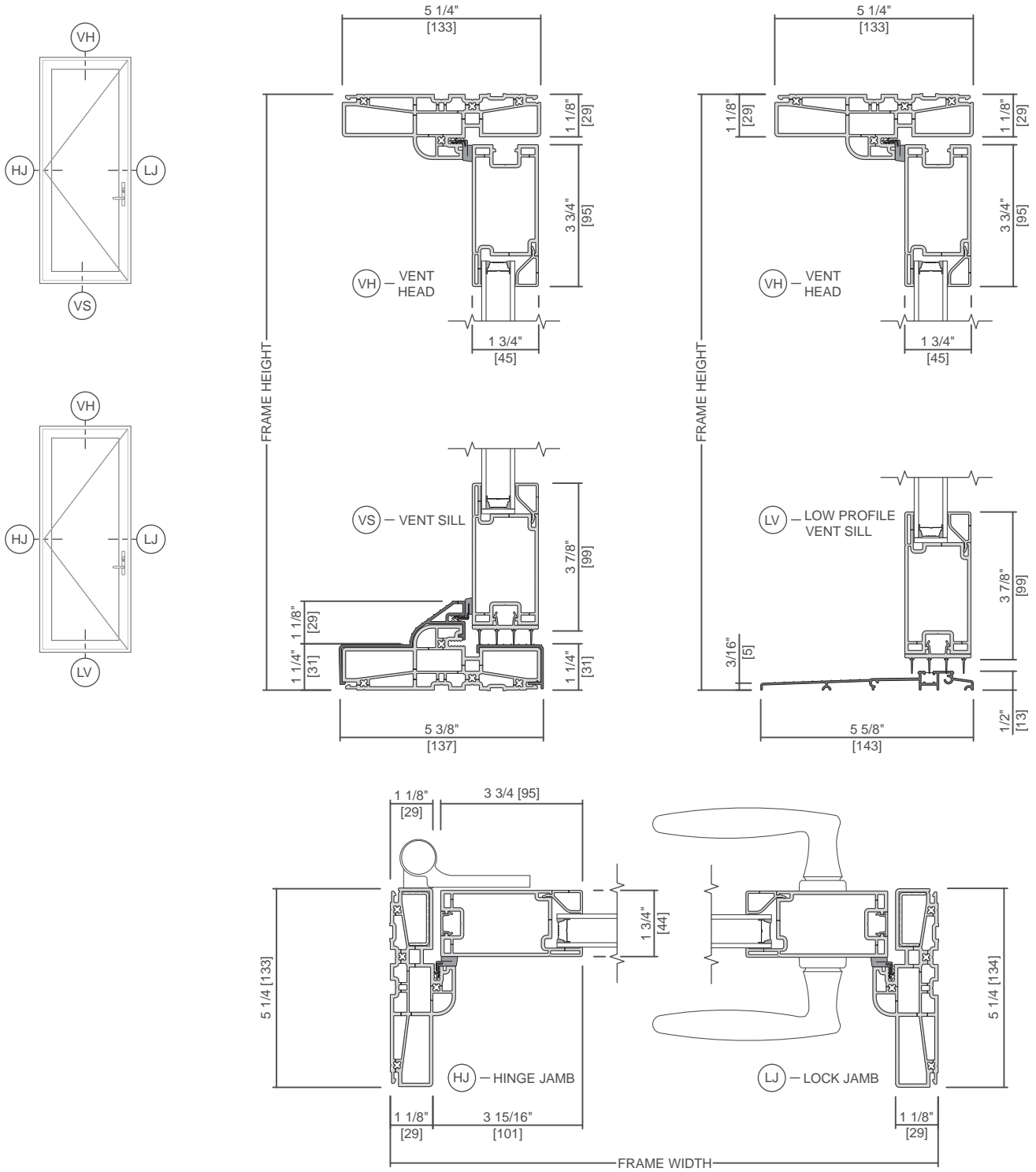
Combinations require reinforcing mullions between units.

All dimensions are approximate.



250 Series Premium Hinged Patio Doors

Unit Sections - In-Swing Block Frame



Scale 3" = 1' 0"

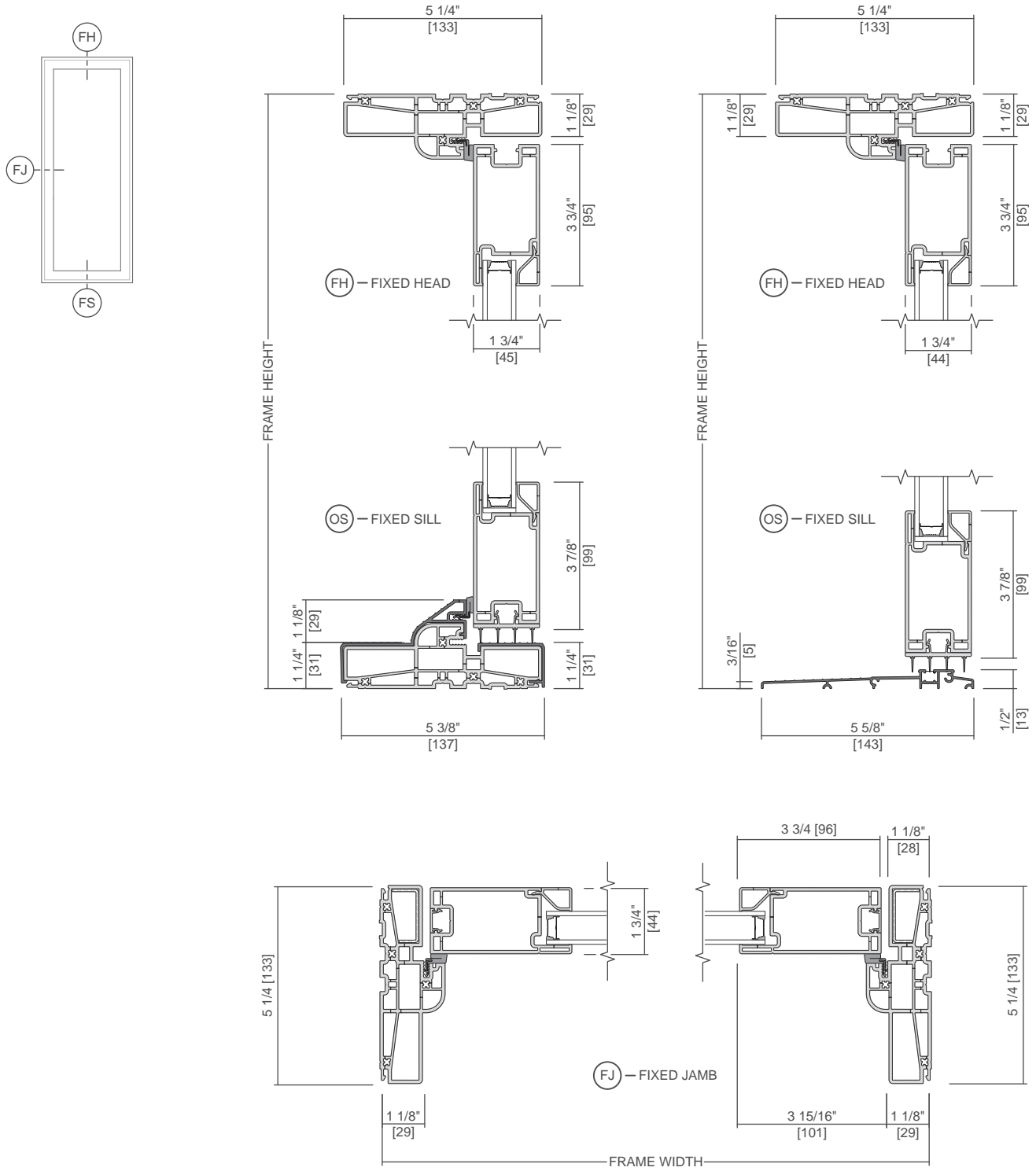
Combinations require reinforcing mullions between units.

All dimensions are approximate.



250 Series Premium Hinged Patio Doors

Unit Sections - In-Swing Block Frame



Scale 3" = 1' 0"

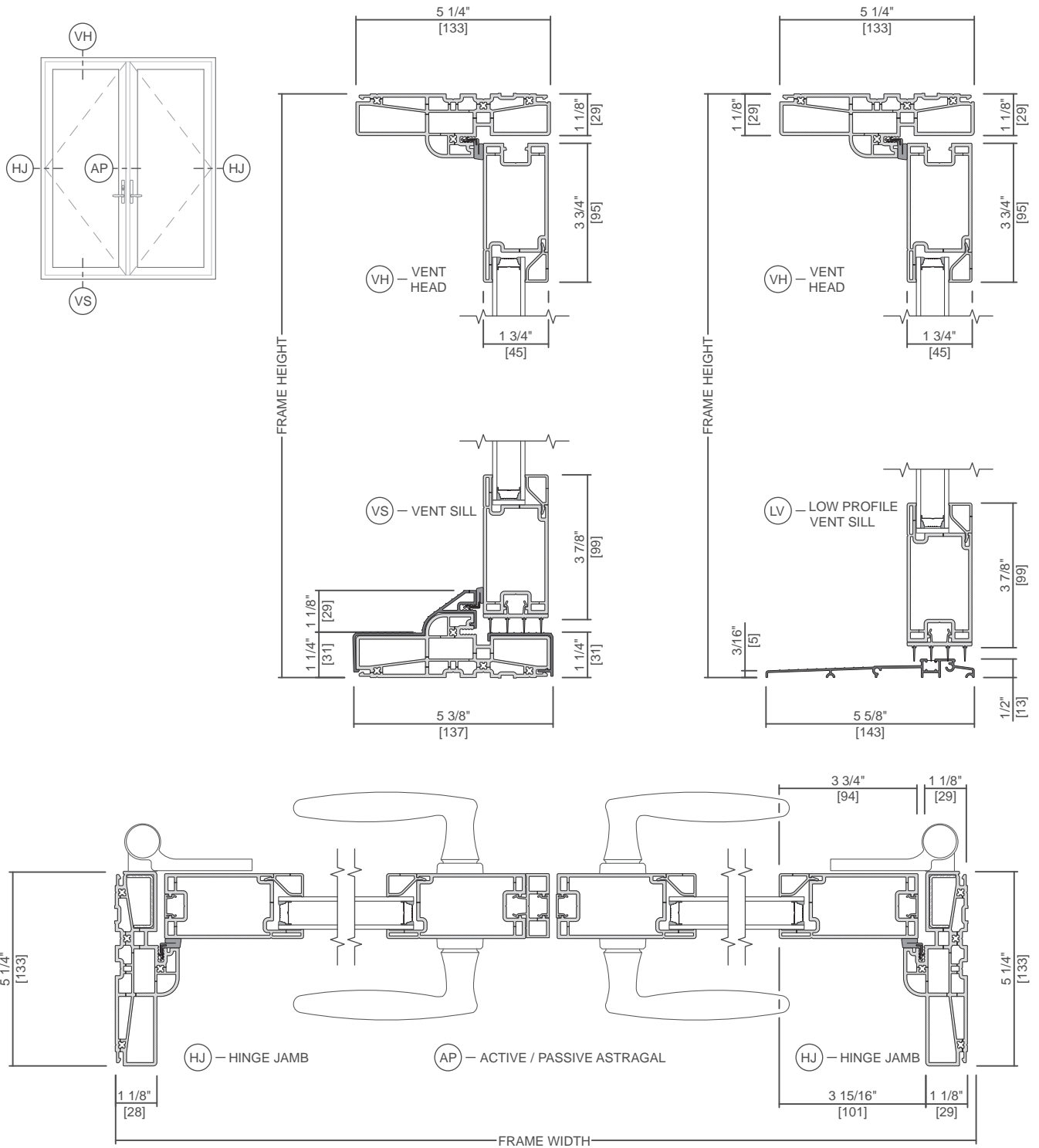
Combinations require reinforcing mullions between units.

All dimensions are approximate.



250 Series Premium Hinged Patio Doors

Unit Sections - In-Swing Block Frame



Scale 3" = 1' 0"

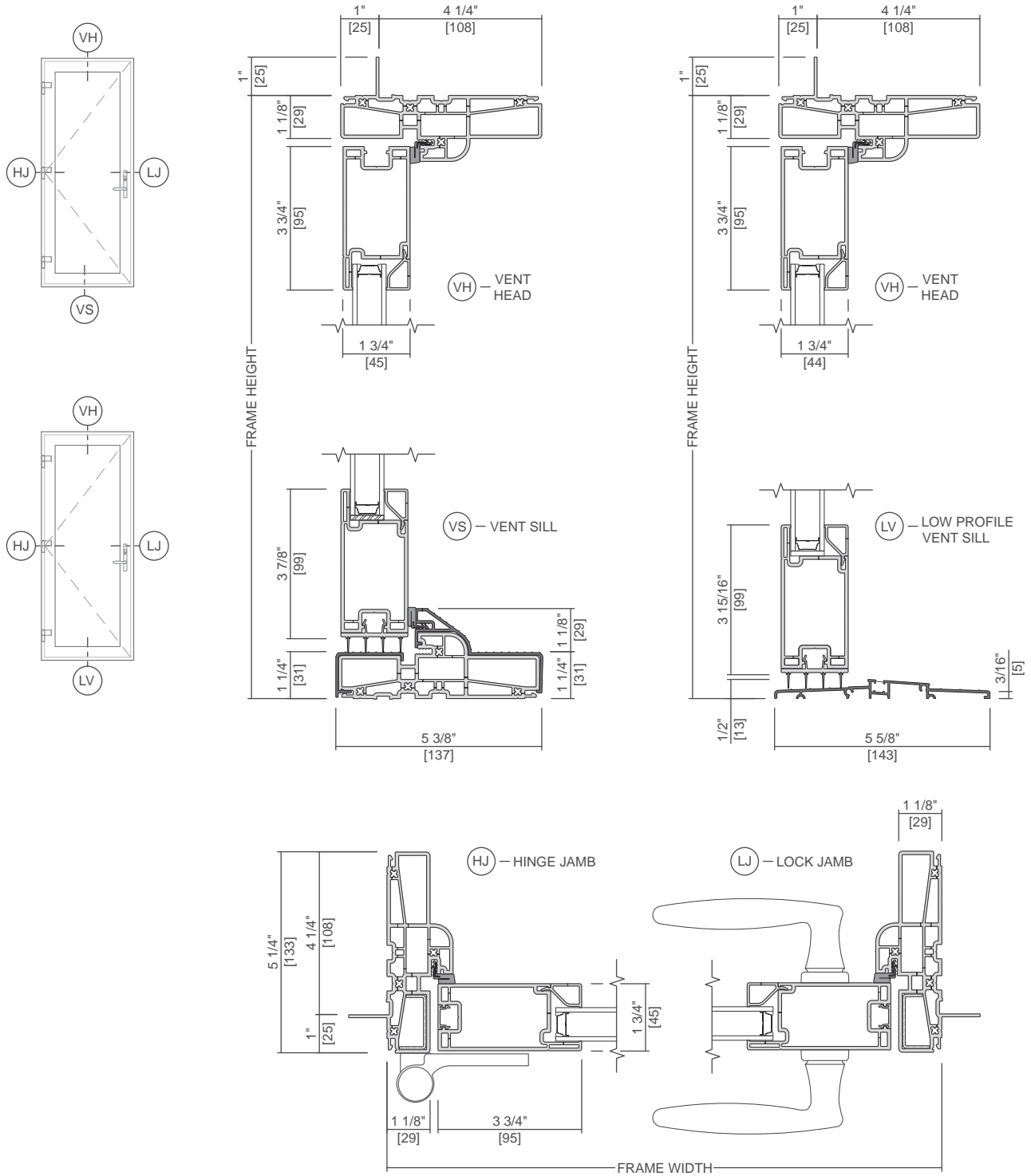
Combinations require reinforcing mullions between units.

All dimensions are approximate.



250 Series Premium Hinged Patio Doors

Unit Sections - Out-Swing 1" Fin Setback



Scale 3" = 1' 0"

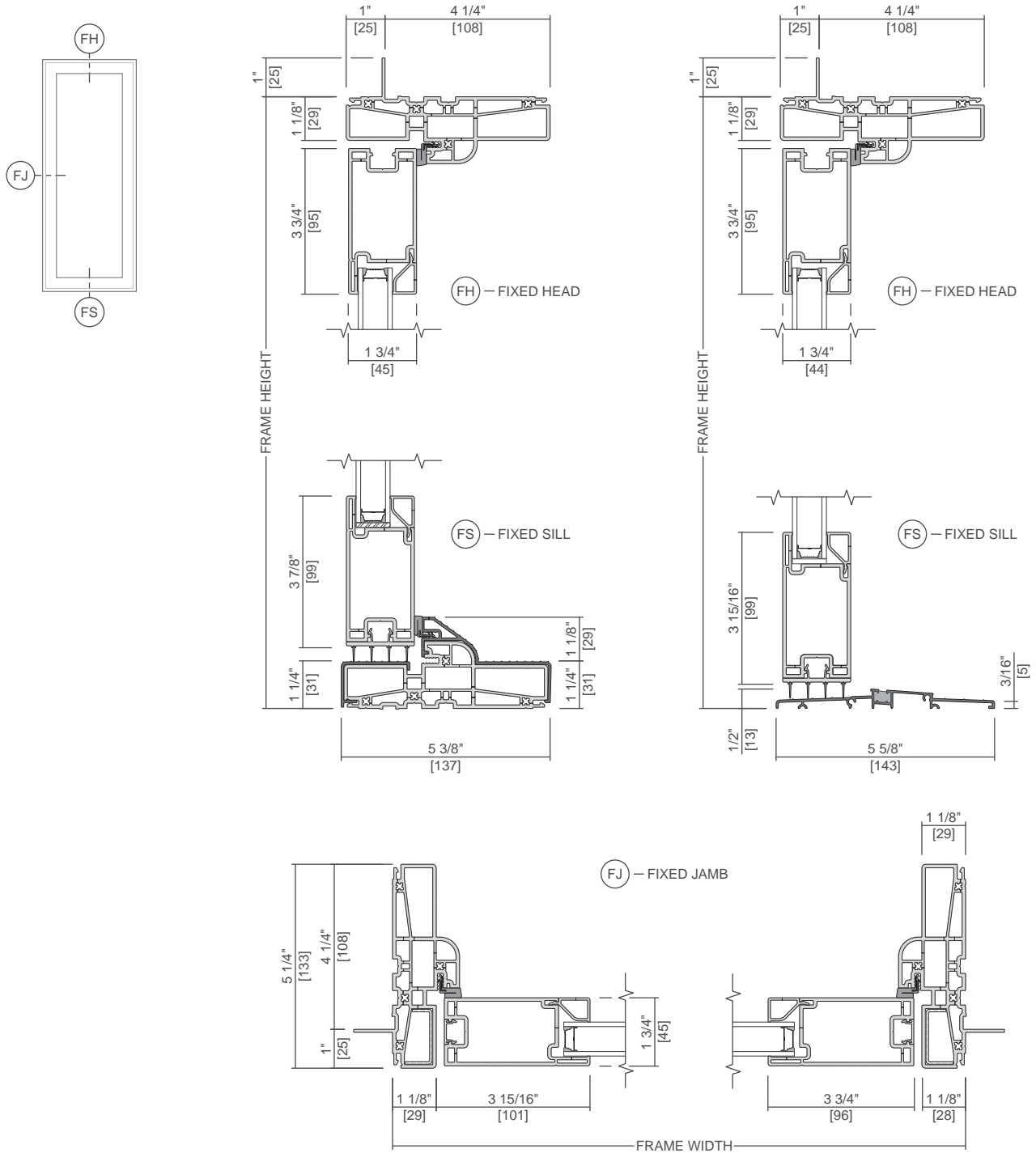
Combinations require reinforcing mullions between units.

All dimensions are approximate.



250 Series Premium Hinged Patio Doors

Unit Sections - Out-Swing 1" Fin Setback



Scale 3" = 1' 0"

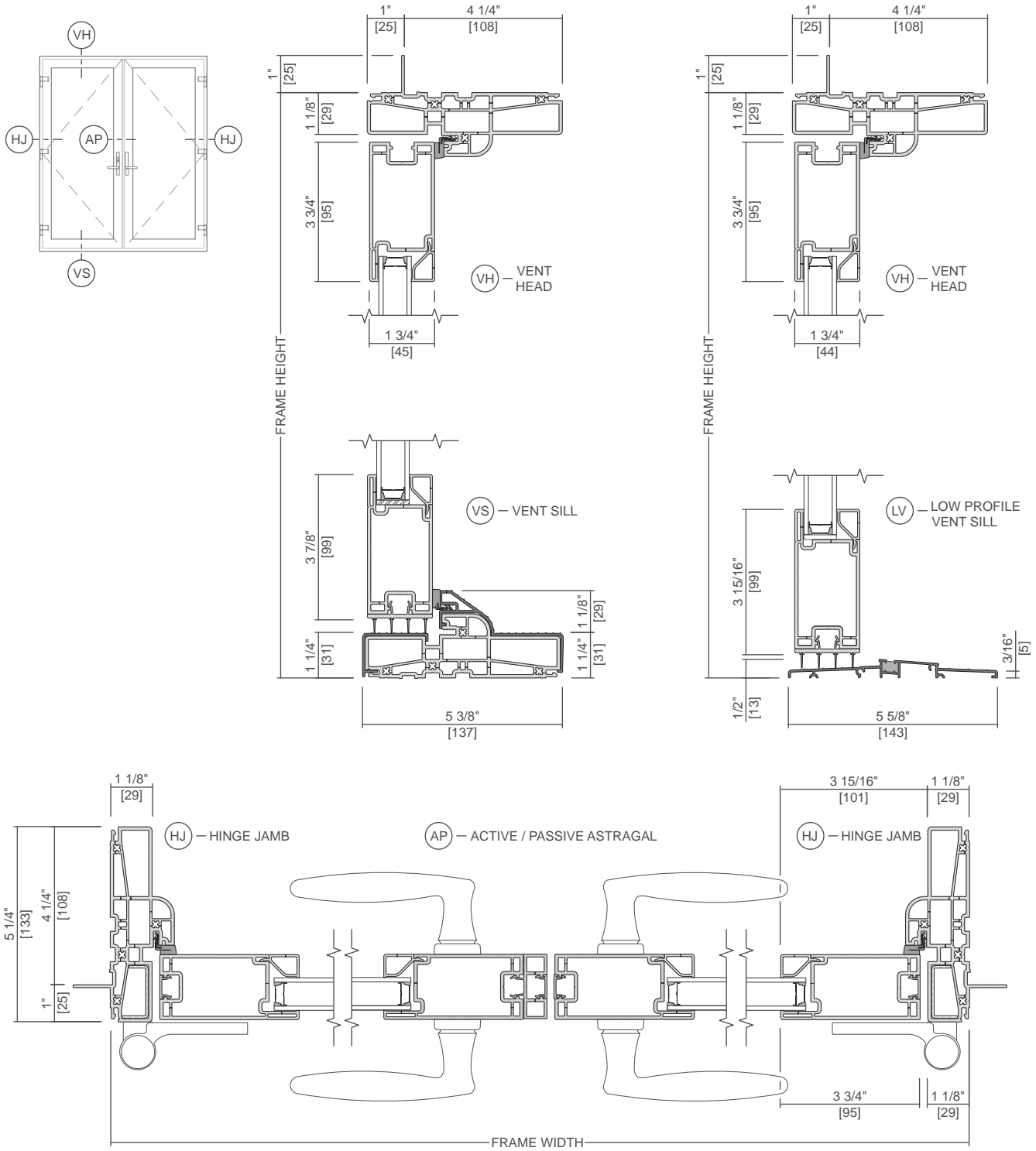
Combinations require reinforcing mullions between units.

All dimensions are approximate.



250 Series Premium Hinged Patio Doors

Unit Sections - Out-Swing 1" Fin Setback



Scale 3" = 1' 0"

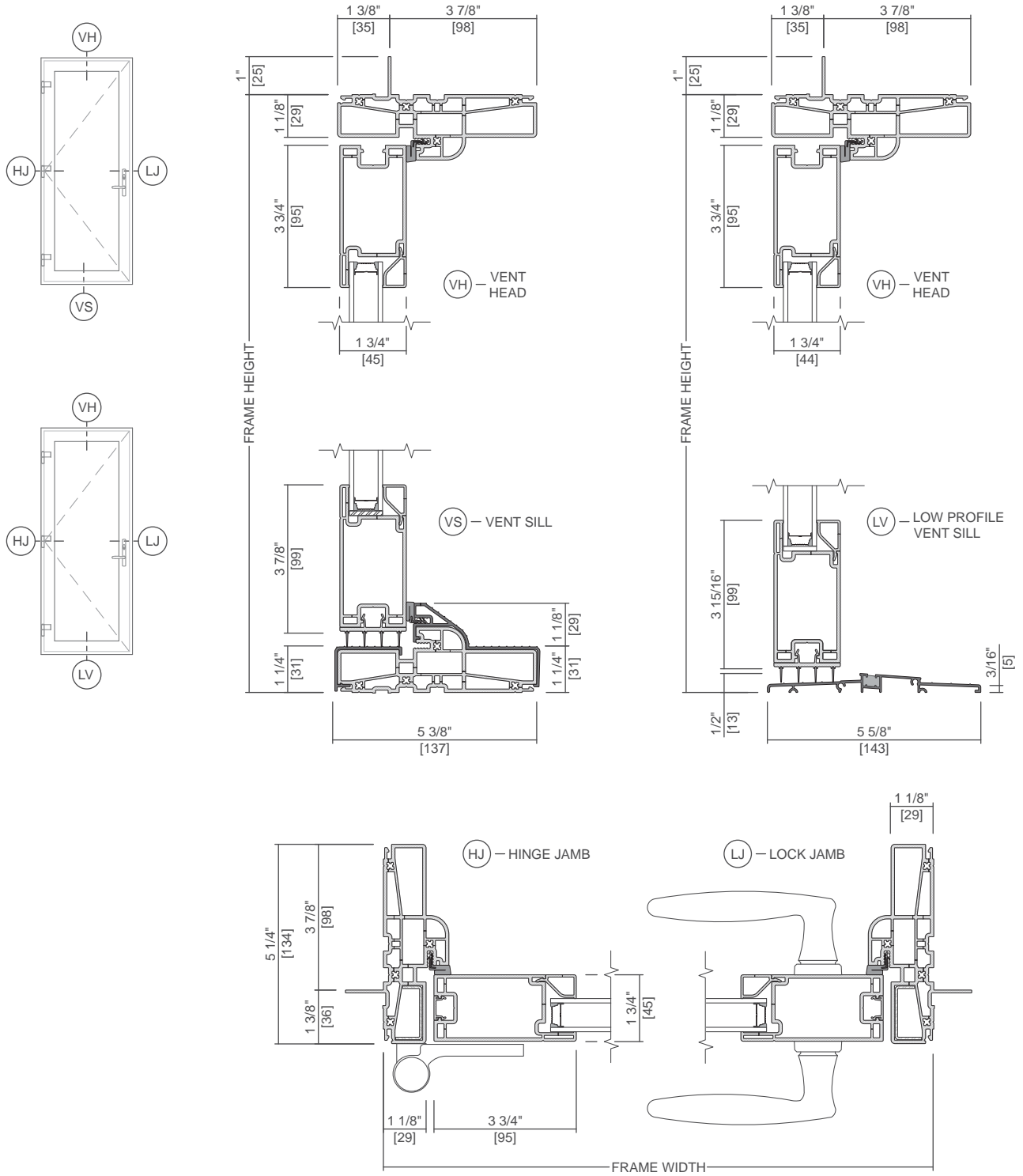
Combinations require reinforcing mullions between units.

All dimensions are approximate.



250 Series Premium Hinged Patio Doors

Unit Sections - Out-Swing 1-3/8" Fin Setback



Scale 3" = 1' 0"

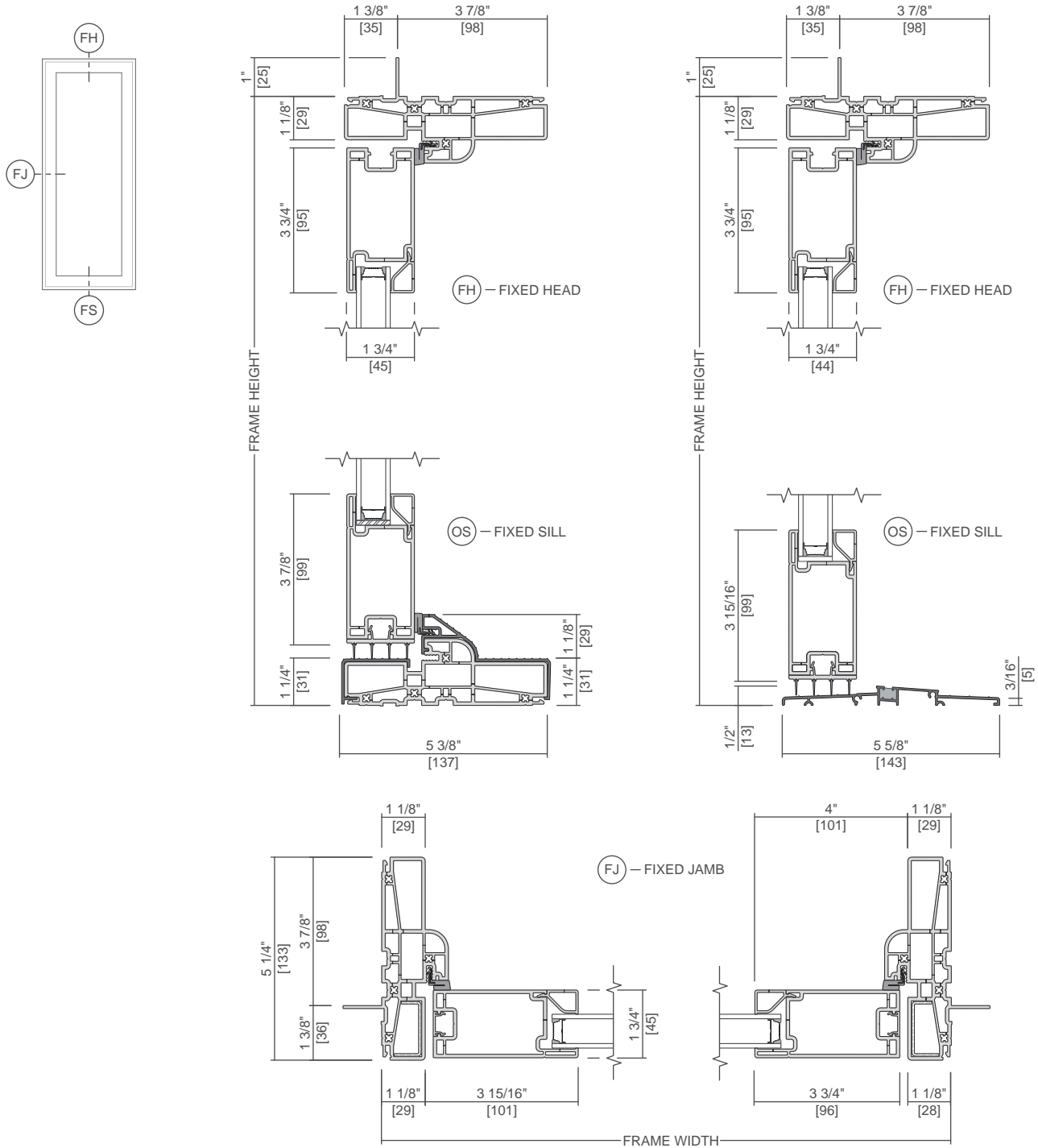
Combinations require reinforcing mullions between units.

All dimensions are approximate.



250 Series Premium Hinged Patio Doors

Unit Sections - Out-Swing 1-3/8" Fin Setback



Scale 3" = 1' 0"

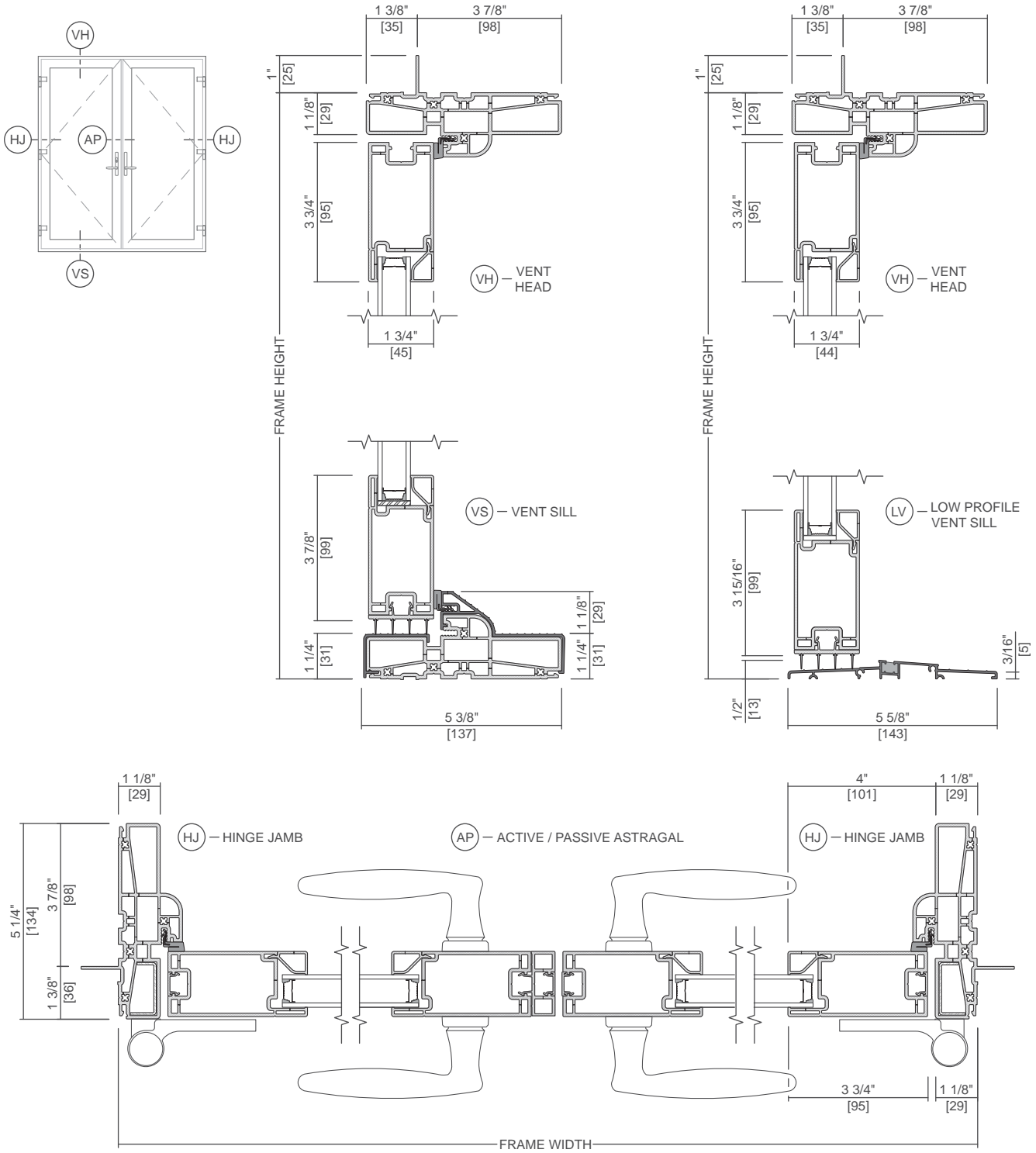
Combinations require reinforcing mullions between units.

All dimensions are approximate.



250 Series Premium Hinged Patio Doors

Unit Sections - Out-Swing 1-3/8" Fin Setback



Scale 3" = 1' 0"

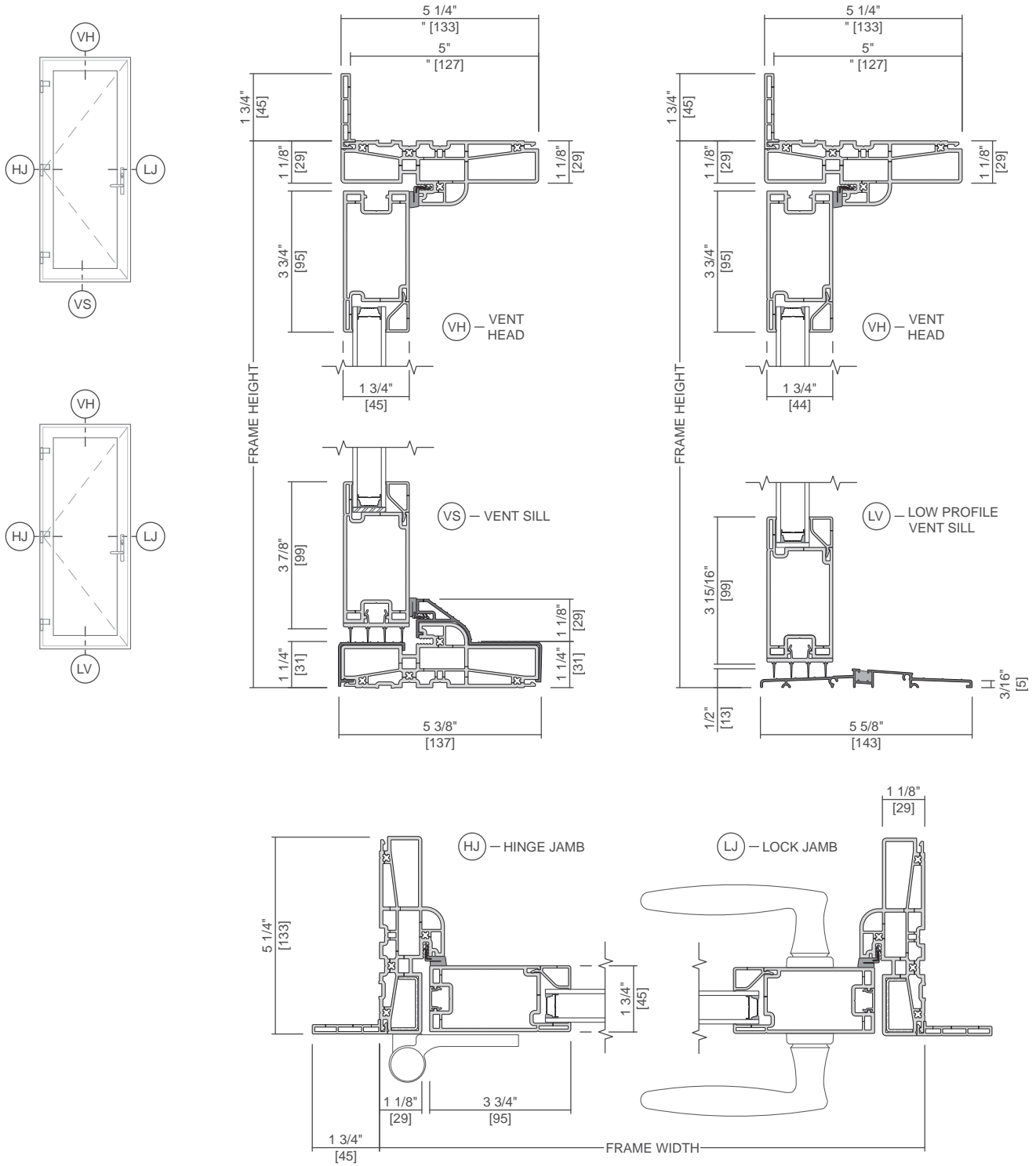
Combinations require reinforcing mullions between units.

All dimensions are approximate.



250 Series Premium Hinged Patio Doors

Unit Sections - Out-Swing Flush Flange



Scale 3" = 1' 0"

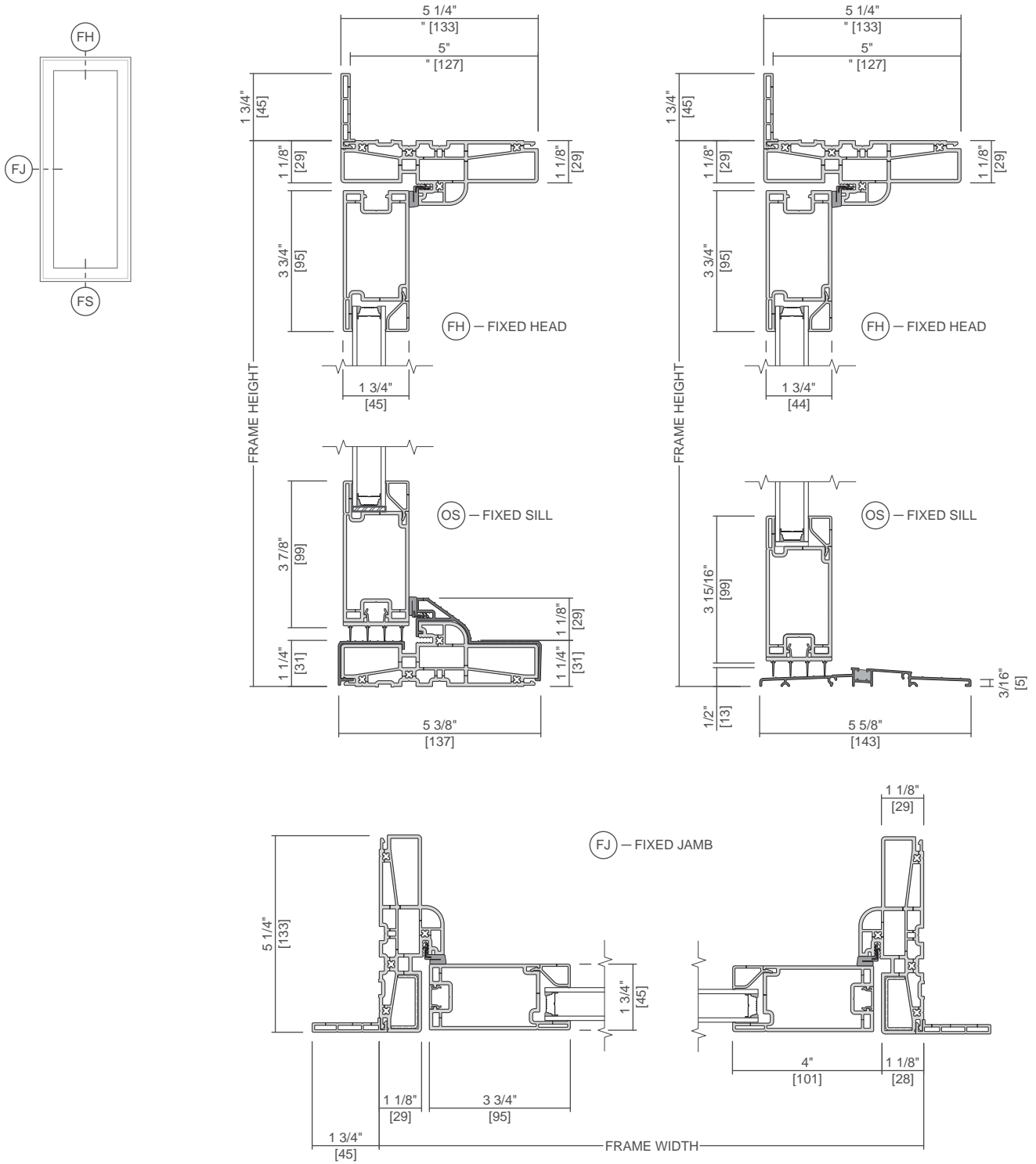
Combinations require reinforcing mullions between units.

All dimensions are approximate.



250 Series Premium Hinged Patio Doors

Unit Sections - Out-Swing Flush Flange



Scale 3" = 1' 0"

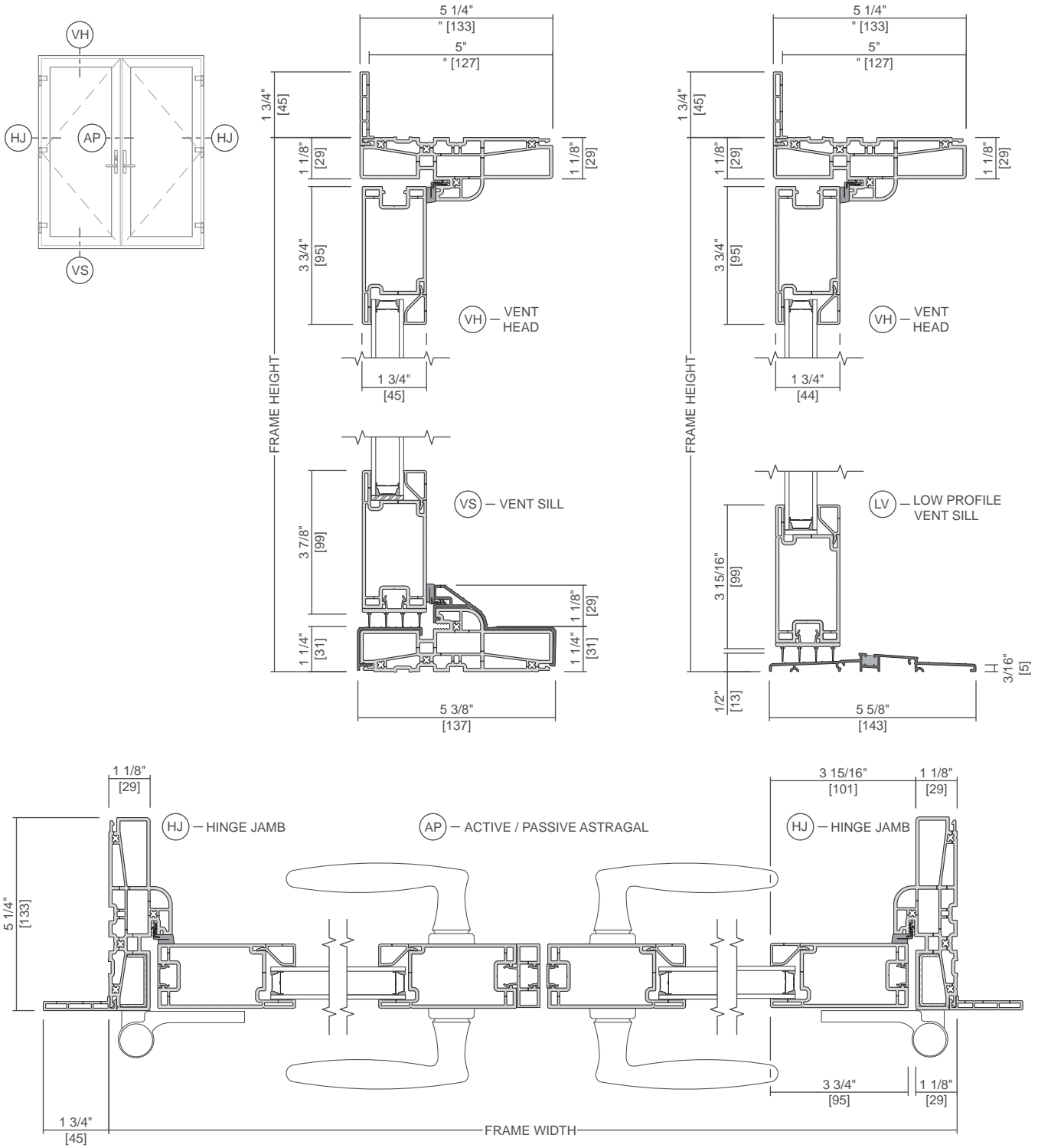
Combinations require reinforcing mullions between units.

All dimensions are approximate.



250 Series Premium Hinged Patio Doors

Unit Sections - Out-Swing Flush Flange



Scale 3" = 1' 0"

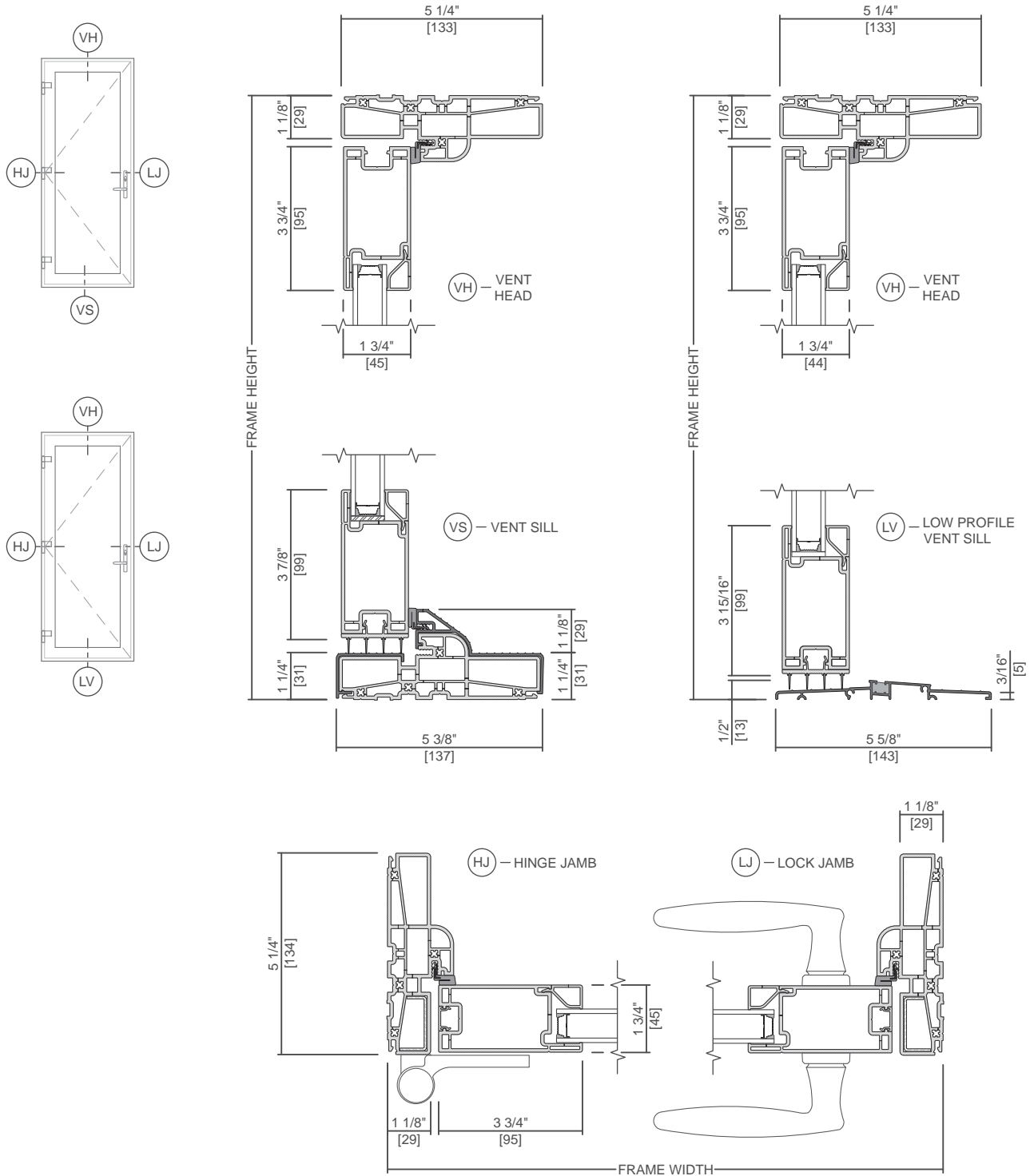
Combinations require reinforcing mullions between units.

All dimensions are approximate.



250 Series Premium Hinged Patio Doors

Unit Sections - Out-Swing Block Frame



Scale 3" = 1' 0"

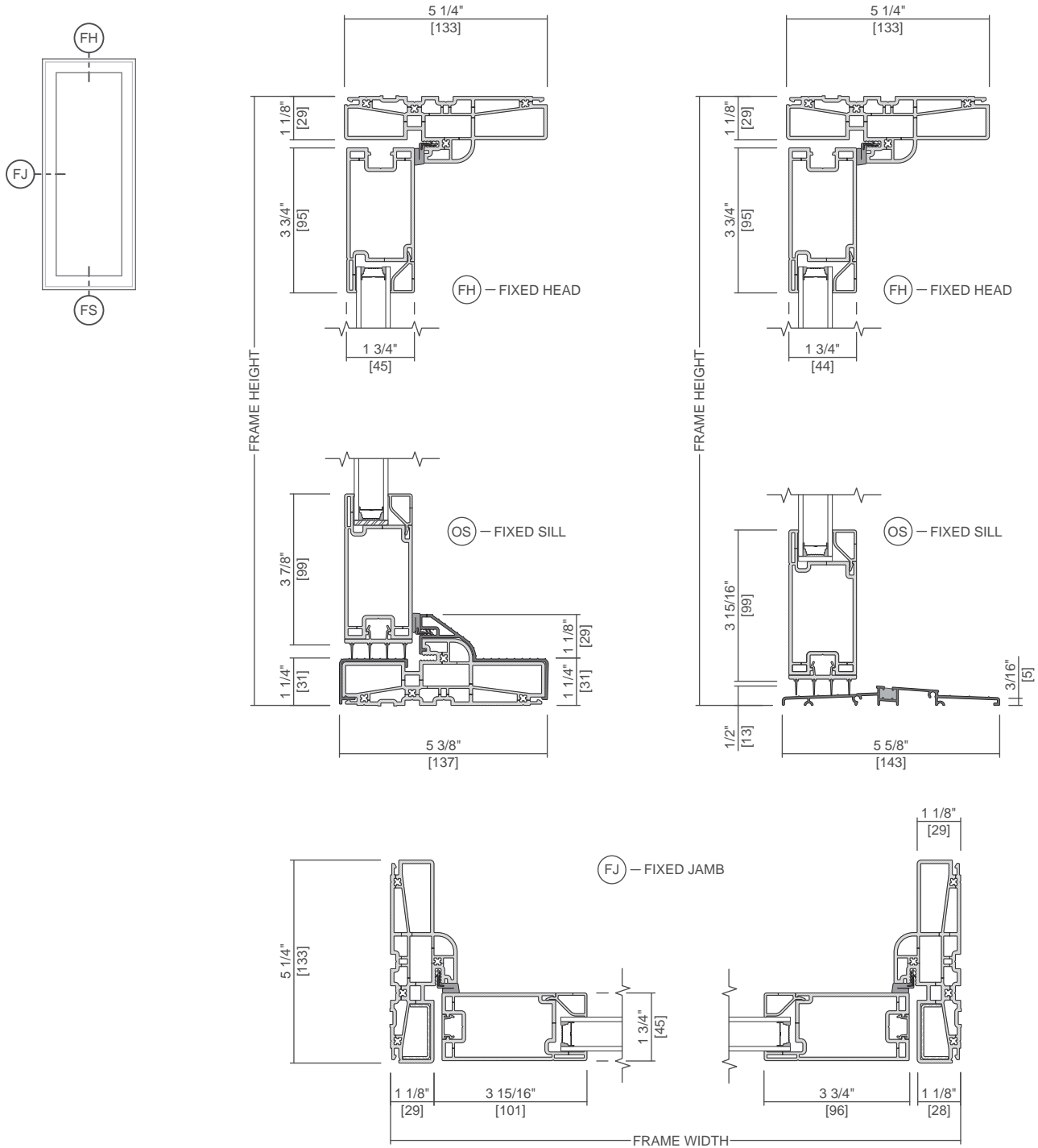
Combinations require reinforcing mullions between units.

All dimensions are approximate.



250 Series Premium Hinged Patio Doors

Unit Sections - Out-Swing Block Frame



Scale 3" = 1' 0"

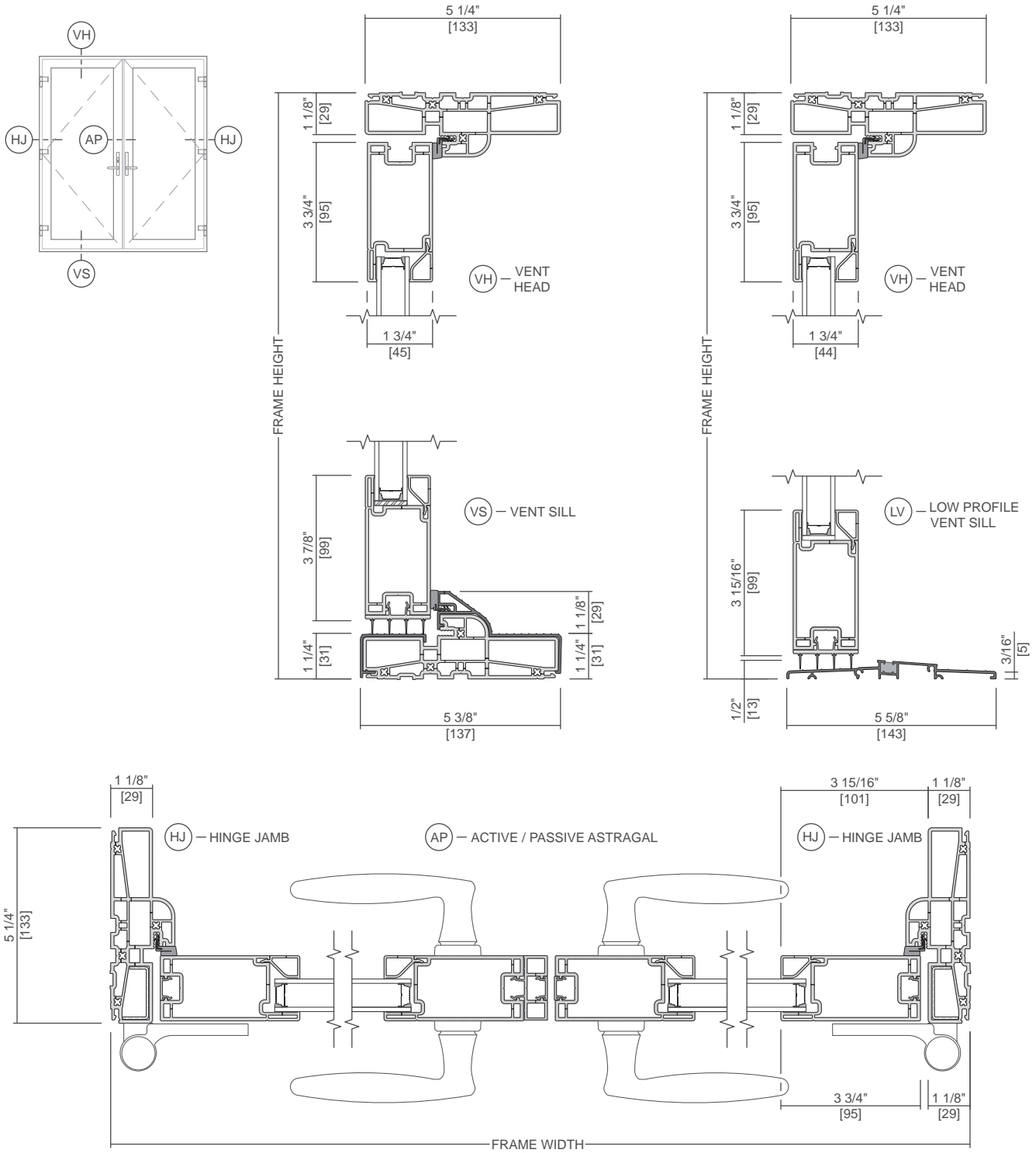
Combinations require reinforcing mullions between units.

All dimensions are approximate.



250 Series Premium Hinged Patio Doors

Unit Sections - Out-Swing Block Frame



Scale 3" = 1' 0"

Combinations require reinforcing mullions between units.

All dimensions are approximate.