



Product Selection Guide

Size and Performance Data.....250-SPD-2

Sound Transmission Class and Outdoor-Indoor Transmission Class250-SPD-2

Features and Options.....250-SPD-3

Glazing Performance..... 250-SPD-4

Special Sizes and Dimensions 250-SPD-6

Design Data 250-SPD-8

Detailed Product Description

Standard Doors 250-SPD-9

Premium Doors250-SPD-10

Unit Sections

Frame Types Overview.....250-SPD-11

1" Nail Fin 250-SPD-12

1-3/8" Nail Fin.....250-SPD-14

Block Frame250-SPD-16

Document Navigation Tips:

Items listed in the table of contents above are active links that will take you to the corresponding page.

The Pella logo on each page is a link back to this table of contents.

Bookmarks are also included in this PDF document and are available as an additional navigation option.



250 Series Standard and Premium Sliding Patio Door

Size and Performance Data

	Standard Sliding Patio Door	Premium Sliding Patio Door
Sizes		
Standard Sizes ₁	S	S
Special Sizes Available Built on 1/8" Increments	O	O
Frames		
Nail Fin - 1" setback for 4-15/16" Wall Depth or 1-3/8" Setback for 4-1/2" Wall Depth	S	S
Block Frame - 5-15/16" Frame Depth	S	S
Flush Flange - 5-11/16" Wall Depth ₂	O	O
Performance₃		
Meets or Exceeds AAMA/WDMA Ratings	SGD - R20 - LC25	SGD - LC30
Air Infiltration ₄ (cfm/ft ² of frame @ 1.57 psf wind pressure)	1.57	1.57
Design Pressure (psf)	20 - 25	30
Water Resistance (psf)	3.13 - 5.43	4.59
Forced Entry ₄	10	10
Maximum Operating Force (lb) (Initiate Motion / Maintain Motion)	12 / 10	12 / 10

Sound Transmission Class and Outdoor-Indoor Transmission Class

Frame Size Tested	Glazing System				STC Rating	OITC Rating
	Overall Glazing Thickness	Exterior Glass Thickness	Interior Glass Thickness	Third Pane Thickness		
Standard Sliding Door						
—	Dual 7/8"	3mm	3mm	—	28	23
—	Triple 1-1/4"	3mm	3mm	3mm	—	—
Premium Sliding Door						
—	Dual 7/8"	3mm	3mm	—	30	23
—	Triple 1-1/4"	3mm	3mm	3mm	—	—

S = Standard; O = Optional; (—) = Not Available

(1) See size charts in this section for available sizes.

(2) Not available for knock down frame.

(3) Published performance data is for single unit only.

(4) The higher the level, the greater the product's ability to resist forced entry.

The presence of low-E or argon have negligible effect on sound attenuation characteristics.

Performance with additional options may not be the same as Standard and Special size units. Please contact your local Pella representative for complete information.



250 Series Standard and Premium Sliding Patio Door

Features and Options

	Standard Sliding Patio Door	Premium Sliding Patio Door
Glazing		
Glazing Type		
Dual-Pane insulating glass	S	S
Triple-Pane insulating glass	O	O
Insulated Glass Options / Low-E Types		
Advanced Low-E	S	S
SunDefense™ Low-E	O	O
Additional Glazing Options		
Tempered Glass	S	S
Gas Fill / High Altitude		
Argon	S	S
High altitude	O	O
Interior/Exterior Color		
White Interior/White Exterior	S	S
Beige Interior/Beige Exterior	O	O
White Interior/Brown Exterior	O	O
White Interior/Black Exterior	O	O
Black Interior/Black Exterior	–	O
Screen		
No Screen	O	O
InView™ Fiberglass Sliding Screen	S	S
Door Handle Finishes		
Color matched to frame	S	S
Additional Interior Finishes (Satin Nickel)	O	O
Keyed Lock	O	O

S = Standard; O = Optional

(1) Not available with triple-pane glazing.



250 Series Standard and Premium Sliding Patio Door

Glazing Performance - Total Unit

Glazing Thickness	Type of Glazing	NFRC Certified Product #	Glass (mm)		Gap Fill	Performance Values ₁				Shaded Areas Meet ENERGY STAR® Performance Criteria in Zones Shown				
			Ext.	Int.		U-Factor	SHGC	VLT	CR	U. S.		Canada ₂		
										Zone	ER	Zone	Zone	Zone
Standard Dual-Pane Insulating glass										N	NC	SC	S	CA
3/4"	Advanced Low-E IG	WDI-A-33-02382-00001	3	3	air	0.31	0.28	0.53	56					
3/4"	Advanced Low-E IG	WDI-A-33-02412-00001	3	3	argon	0.28	0.28	0.53	60					
3/4"	Advanced Low-E IG	WDI-A-33-02404-00001	5	5	air	0.31	0.28	0.52	55					
3/4"	Advanced Low-E IG	WDI-A-33-02434-00001	5	5	argon	0.27	0.28	0.52	58					
3/4"	SunDefense™ Low-E IG	WDI-A-33-02442-00001	3	3	air	0.31	0.21	0.49	57					
3/4"	SunDefense™ Low-E IG	WDI-A-33-02472-00001	3	3	argon	0.27	0.21	0.49	60			SC	S	
3/4"	SunDefense™ Low-E IG	WDI-A-33-02464-00001	5	5	air	0.30	0.22	0.49	55					
3/4"	SunDefense™ Low-E IG	WDI-A-33-02494-00001	5	5	argon	0.27	0.21	0.49	59			SC	S	

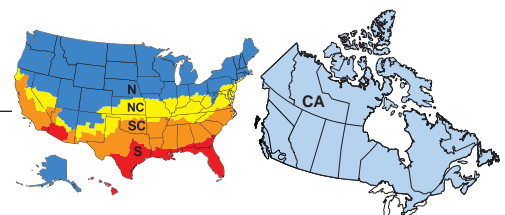
Glazing Thickness	Type of Glazing	NFRC Certified Product #	Glass (mm)			Gap Fill	Performance Values ₁				Shaded Areas Meet ENERGY STAR® Performance Criteria in Zones Shown				
			Ext.	Middle	Int.		U-Factor	SHGC	VLT	CR	U. S.		Canada ₂		
											Zone	ER	Zone	Zone	Zone
Standard Triple-Pane Insulating glass										N	NC	SC	S	CA	
1"	SunDefense™ Low-E IG	WDI-A-33-02750-00001	3	3	3	argon	0.18	0.18	0.36	70	N	NC	SC	S	
1"	SunDefense™ Low-E IG	WDI-A-33-02762-00001	4	4	4	argon	0.19	0.23	0.40	59	N	NC	SC	S	

R-Value = 1/U-Factor
 SHGC = Solar Heat Gain Coefficient
 VLT % = Visible Light Transmission
 CR = Condensation Resistance
 ER = Canadian Energy Rating

(1) Glazing performance values are calculated based on NFRC 100, NFRC 200 and NFRC 500. ENERGY STAR® values are updated to 2023 (Version 7) criteria.

(2) The values shown are based on Canada's updated ENERGY STAR® 2020 initiative.

Visit www.energystar.gov for Energy Star guidelines.





250 Series Standard and Premium Sliding Patio Door

Glazing Performance - Total Unit

Glazing Thickness	Type of Glazing	NFRC Certified Product #	Glass (mm)		Gap Fill	Performance Values ₁				Shaded Areas Meet ENERGY STAR® Performance Criteria in Zones Shown					
			Ext.	Int.		U-Factor	SHGC	VLT	CR	U. S.		Canada ₂			
										Zone	ER	Zone	ER	Zone	
Premium Dual-Pane Insulating glass										N	NC	SC	S	CA	
3/4"	Advanced Low-E IG	WDI-A-33-02999-00001	3	3	air	0.31	0.27	0.50	56						
3/4"	Advanced Low-E IG	WDI-A-33-03029-00001	3	3	argon	0.27	0.26	0.50	60						
3/4"	Advanced Low-E IG	WDI-A-33-03021-00001	5	5	air	0.30	0.26	0.49	55						
3/4"	Advanced Low-E IG	WDI-A-33-03051-00001	5	5	argon	0.27	0.26	0.49	58						
3/4"	SunDefense™ Low-E IG	WDI-A-33-03059-00001	3	3	air	0.30	0.20	0.46	57						
3/4"	SunDefense™ Low-E IG	WDI-A-33-03089-00001	3	3	argon	0.27	0.20	0.46	60			SC	S		
3/4"	SunDefense™ Low-E IG	WDI-A-33-03081-00001	5	5	air	0.30	0.20	0.45	55						
3/4"	SunDefense™ Low-E IG	WDI-A-33-03111-00001	5	5	argon	0.26	0.20	0.45	58	N	NC	SC	S		

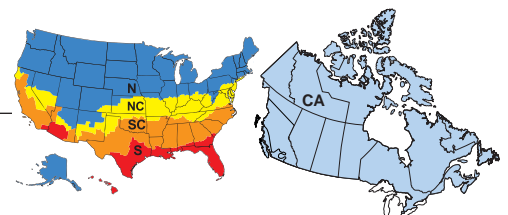
Glazing Thickness	Type of Glazing	NFRC Certified Product #	Glass (mm)			Gap Fill	Performance Values ₁				Shaded Areas Meet ENERGY STAR® Performance Criteria in Zones Shown				
			Ext.	Middle	Int.		U-Factor	SHGC	VLT	CR	U. S.		Canada ₂		
											Zone	ER	Zone	ER	Zone
Premium Triple-Pane Insulating glass										N	NC	SC	S	CA	
1"	SunDefense™ Low-E IG	WDI-A-33-03367-00001	3	3	3	argon	0.18	0.17	0.33	69	N	NC	SC	S	
1"	SunDefense™ Low-E IG	WDI-A-33-03379-00001	4	4	4	argon	0.19	0.17	0.33	69	N	NC	SC	S	

R-Value = 1/U-Factor
 SHGC = Solar Heat Gain Coefficient
 VLT % = Visible Light Transmission
 CR = Condensation Resistance
 ER = Canadian Energy Rating

(1) Glazing performance values are calculated based on NFRC 100, NFRC 200 and NFRC 500. ENERGY STAR® values are updated to 2023 (Version 7) criteria.

(2) The values shown are based on Canada's updated ENERGY STAR® 2020 initiative.

Visit www.energystar.gov for Energy Star guidelines.





250 Series Standard and Premium Sliding Patio Door

Special Size and Dimensions

Type	Example	Standard Frame Dimensions				Standard Panel Dimensions			
		Min. Width	Min. Height	Max. Width	Max. Height	Min. Width	Min. Height	Max. Width	Max. Height
2-Panel (OX / XO)		32" (813)	39" (991)	99-1/8" (2 518)	96" (2 438)	16" (406)	36" (914)	60" (1 524)	93" (2 362)
3-Panel (OOX / XOO)		45-1/8" (1 146)	39" (991)	145-7/16" (3 694)	96" (2 438)	16" (406)	36" (914)	60" (1 524)	93" (2 362)
4-Panel (OXXO)		62" (1 575)	39" (991)	191-1/2" (4 864)	96" (2 438)	16" (406)	36" (914)	60" (1 524)	93" (2 362)

The combined frame width and frame height cannot exceed a panel square footage of 32 sq. ft.

Type	Example	Premium Frame Dimensions				Premium Panel Dimensions			
		Min. Width	Min. Height	Max. Width	Max. Height	Min. Width	Min. Height	Max. Width	Max. Height
2-Panel (OX / XO)		36-3/4" (933)	39" (991)	123" (3 124)	120" (3 048)	19" (483)	36" (914)	62-1/8" (1 578)	117" (2 972)
3-Panel (OOX / XOO)		52" (1 320)	39" (991)	181" (4 597)	120" (3 048)	19" (483)	36" (914)	62-1/8" (1 578)	117" (2 972)
4-Panel (OXXO)		71-1/2" (1 816)	39" (991)	240" (6 096)	120" (3 048)	19" (483)	36" (914)	62-1/8" (1 578)	117" (2 972)

The combined frame width and frame height cannot exceed a panel square footage of 40.25 sq. ft.

General Notes:

- Special sizes are available within the parameters shown on 1/16" increments.
- FH = Rough Opening - 0.5"; FW = Rough Opening - 0.5"

To convert areas to square meters (m²), multiply square feet by 0.0929.



250 Series Standard and Premium Sliding Patio Door

Special Size and Dimensions

Miscellaneous Formulas

	Standard Doors	Premium Doors
Panel	Panel Height = $FH - 3''$ XO / OX Panel Width = $FW \div 2$ XOO / OOX Panel Width = $FW \div 3 + 0.97917''$ OXXO Panel Width = $FW \div 4 + 0.53125''$	Panel Height = $FH - 3''$ XO / OX Panel Width = $FW \div 2 + 0.625''$ XOO / OOX Panel Width = $FW \div 3 + 1.66667''$ OXXO Panel Width = $FW \div 4 + 1.15625''$
Actual Glass	Glass Height = $FH - 7.25''$ XO / OX Glass Width = $FW \div 2 - 4.1875''$ XOO / OOX Glass Width = $FW \div 3 - 3.20833''$ OXXO Glass Width = $FW \div 4 - 3.65625''$	Glass Height = $FH - 9.25''$ XO / OX Glass Width = $FW \div 2 - 5.5625''$ XOO / OOX Glass Width = $FW \div 3 - 4.52083''$ OXXO Glass Width = $FW \div 4 - 4.03125''$
Visible Glass	VG Height = $FH - 8.5''$ XO / OX VG Width = $FW \div 2 - 5.25''$ XOO / OOX VG Width = $FW \div 3 - 4.4167''$ OXXO VG Width = $FW \div 4 - 3.3125''$	VG Height = $FH - 10.5''$ XO / OX VG Width = $FW \div 2 - 6.875''$ XOO / OOX VG Width = $FW \div 3 - 5.75''$ OXXO VG Width = $FW \div 4 - 6.34375''$
Clear Opening	Height = $FH - 4.1875''$ XO / OX Clear Opening Width = $FW \div 2 - 3.125''$ XOO / OOX Clear Opening Width = $FW \div 3 - 5.25''$ OXXO Clear Opening Width = $FW \div 2 - 3.3125''$	Height = $FH - 4.1875''$ XO / OX Clear Opening Width = $FW \div 2 - 3.75''$ XOO / OOX Clear Opening Width = $FW \div 3 - 6.8125''$ OXXO Clear Opening Width = $FW \div 2 - 4.5''$



250 Series Standard and Premium Sliding Patio Door

Design Data

Standard Door

Call Out	Frame		Clear Opening		Vent Area Ft ²	Total Unit Visible Glass Area Ft ²	Standard Tempered Glass Thickness (mm)	Performance Class & Grade ₁
	Width (Inches)	Height (Inches)	Width (Inches)	Height (Inches)				
XO/OX Venting Units								
5-0/8-0	59-1/2	95-1/2	26-5/8	91 1/3	16.9	29.6	3	LC25
6-0/8-0	71-1/2	95-1/2	32-5/8	75 1/3	17.1	30.1	3	LC25
8-0/8-0	95-1/2	95-1/2	32-5/8	77 1/3	17.5	30.9	4	LC25
XOO/ OOX Venting Units								
8-8/8-0	104-5/16	95-1/2	29-4/8	91 1/3	18.7	42.1	3	LC25
11-8/8-0	140-5/16	95-1/2	41-4/8	91 1/3	26.3	44.9	4	LC25
OXXO Venting Units								
9-8/8-0	116-3/4	95-1/2	35-5/8	91 1/3	22.6	60.7	3	R20
11-8/8-0	140-3/4	95-1/2	43-5/8	91 1/3	27.7	64.5	3	R20
15-8/8-0	188-3/4	95-1/2	59-5/8	91 1/3	37.8	66.3	4	R20

Premium Door

Call Out	Frame		Clear Opening		Vent Area Ft ²	Total Unit Visible Glass Area Ft ²	Standard Tempered Glass Thickness (mm)	Performance Class & Grade ₁
	Width (Inches)	Height (Inches)	Width (Inches)	Height (Inches)				
XO/OX Venting Units								
5-0/8-0	71-1/2	95-1/2	32	91-1/3	20.3	36.9	3	LC30
6-0/8-0	95-1/2	95-1/2	44	91-1/3	27.9	51.8	4	LC30
8-0/8-0	119-1/2	95-1/2	56	91-1/3	35.5	66.7	5	LC30
XOO/ OOX Venting Units								
8-8/8-0	104-5/16	95-1/2	27-5/16	91-1/3	17.7	52.2	3	LC30
11-8/8-0	140-5/16	95-1/2	39-5/16	91-1/3	25.3	74.5	4	LC30
OXXO Venting Units								
11-8/8-0	140-3/4	95-1/2	65-21/32	91-1/3	41.6	74.5	3	LC30
15-8/8-0	188-3/4	95-1/2	89-7/8	91-1/3	57.0	104.6	4	LC30

(-) = Not Available

(1) Maximum performance when glazed with the appropriate glass thickness. Second Value, where shown, requires performance upgrade.

To convert areas to square meters (m²), multiply square feet by 0.0929.



250 Series Standard and Premium Sliding Patio Door

Detailed Product Description - Standard Doors

Frame

- Overall frame depth: 5-15/16".
- Frame members are mitered and [heat-fused fully welded] [knock-down]. Sill is fitted with weeps.
- Frame: [1" setback for nail fin for 4-15/16" wall depth and 1-3/8" setback for nail fin for 4-1/2" wall depth] [Block Frame for 5-15/16" wall depth] [Flush Flange for 5-11/16" wall depth].
- Interior and exterior frame surfaces are extruded rigid uPVC.

Door Panel

- 2-3/4" x 1-3/4" vinyl panel with internal aluminum reinforcement.
- Door panel consists of extruded, rigid uPVC.
- Panel members are mitered and heat-fused to provide a fully welded corner assembly.
- Vent panel is fully operable for ventilation.
- Vent panels have two adjustable rollers, set on an anodized aluminum track.
- Contains sealed insulating glass.

Weatherstripping

- Fin-type pile around perimeter of panels.

Glazing System

- Interior face-glazed sealed insulating glass.
- Standard Dual-Pane tempered glass, with optional Triple-Pane upgrade.
- 7/8" Dual-Pane insulating glass [Advanced Low-E coated [with argon]] [SunDefense™ Low-E coated [with argon]] [High Altitude1].
or
- 1-1/4" Triple-Pane insulating glass [SunDefense™ Low-E coated [with argon]] [High Altitude1].

Interior / Exterior

- Frame and panel members are [[White] [Beige] with integral color extruded throughout the profiles] [[Brown] [Black] laminate exterior, with White integral color extruded throughout the profiles on the interior].
- Sill: [[Bronze Anodized] [Mill]] finish options.
- All exposed PVC surfaces are smooth, glossy and uniform in appearance.

Hardware

- Interior handle and thumb-lock; finish is [[White] [Beige] to match interior finish] [Black].
- Exterior handle with optional keylock; finish is [[White] [Beige] [Black] to match exterior finish].
- Optional upgraded hardware; Signature [[White] [Beige] [Black] [Satin Nickel] with optional keylock].
- Anti-Slam and double-point lock. Meets the most stringent forced entry resistance testing.
- Adjustable roller: [Stainless Steel]

Screen

- Frame of screen is color-matched to exterior frame color.
- Integrated screen channel in the frame with aluminum screen track for ease of operation and long-term durability.

(1) Dual-Pane IG High Altitude glazing is available with or without Argon. Triple-Pane IG High Altitude glazing is only available without Argon.



250 Series Standard and Premium Sliding Patio Door

Detailed Product Description - Premium Doors

Frame

- Overall frame depth: 5-15/16".
- Frame members are mitered and [heat-fused fully welded] [knock-down]. Sill is fitted with weeps.
- Frame: [1" setback for nail fin for 4-15/16" wall depth and 1-3/8" setback for nail fin for 4-1/2" wall depth] [Block Frame for 5-15/16" wall depth] [Flush Flange for 5-11/16" wall depth].
- Interior and exterior frame surfaces are extruded rigid uPVC.

Door Panel

- 3-3/4" x 1-3/4" vinyl panel with internal aluminum reinforcement.
- Door panel consists of extruded, rigid uPVC.
- Panel members are mitered and heat-fused to provide a fully welded corner assembly.
- Vent panel is fully operable for ventilation.
- Vent panels have two adjustable rollers, set on an anodized aluminum track.
- Contains sealed insulating glass.

Weatherstripping

- Fin-type pile around perimeter of panels.

Glazing System

- Interior face-glazed sealed insulating glass.
- Standard Dual-Pane tempered glass, with optional Triple-Pane upgrade.
- 7/8" Dual-Pane insulating glass [Advanced Low-E coated [with argon]] [SunDefense™ Low-E coated [with argon]] [High Altitude1].
or
- 1-1/4" Triple-Pane insulating glass [SunDefense™ Low-E coated [with argon]] [High Altitude1].

Interior / Exterior

- Frame and panel members are [[White] [Beige] with integral color extruded throughout the profiles].
- [Brown] laminate exterior, with White integral color extruded throughout the profiles on the interior.
- [Black] laminate exterior, with optional [Black] laminate interior or White integral color extruded throughout the profiles on the interior.
- Sill: [[Bronze Anodized] [Mill]] finish options.
- All exposed PVC surfaces are smooth, glossy, and uniform in appearance.

Hardware

- Signature handle; finish is [[White] [Beige] [Black] to match interior and exterior finish]] [Satin Nickel] with optional keylock.
- Optional upgraded hardware; Flush [[White] [Black] [Satin Nickel]] with optional keylock.
- Anti-Slam and double-point lock. Meets the most stringent forced entry resistance testing.
- Adjustable roller: [Stainless Steel].

Screen

- Frame of screen is color-matched to exterior frame color.
- Integrated screen channel in the frame with aluminum screen track for ease of operation and long-term durability.

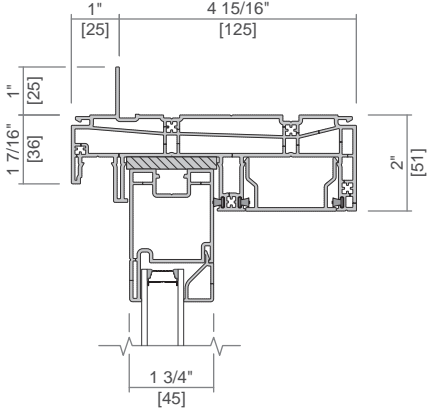


250 Series Standard and Premium Sliding Patio Door

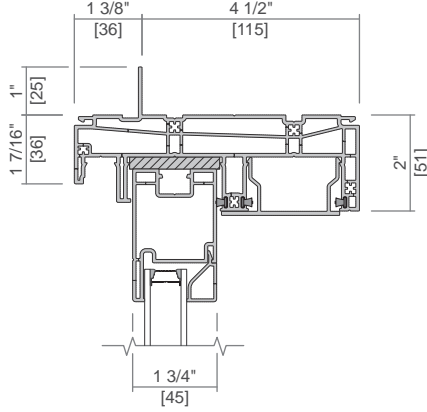
Unit Sections - Frame Types Overview

NEW CONSTRUCTION FRAME

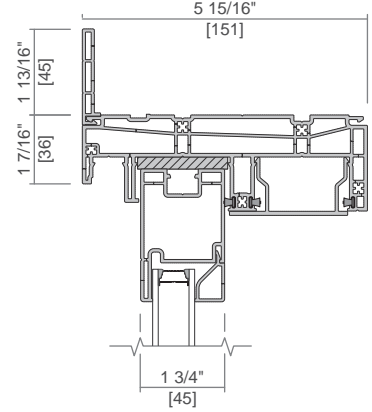
Standard 1" Nailing Fin



Standard 1 3/8" Nailing Fin

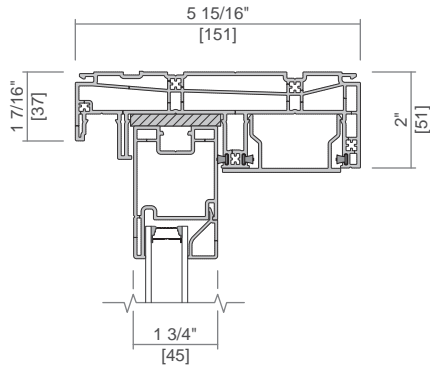


Flush Flange



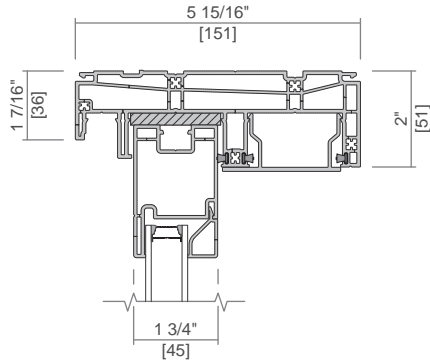
REPLACEMENT FRAME

Standard Block Frame

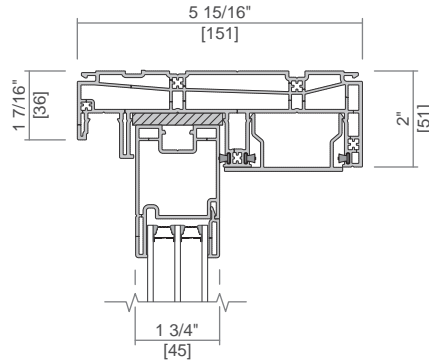


GLAZING OPTIONS

7/8" IG



1 1/4" Triple IG



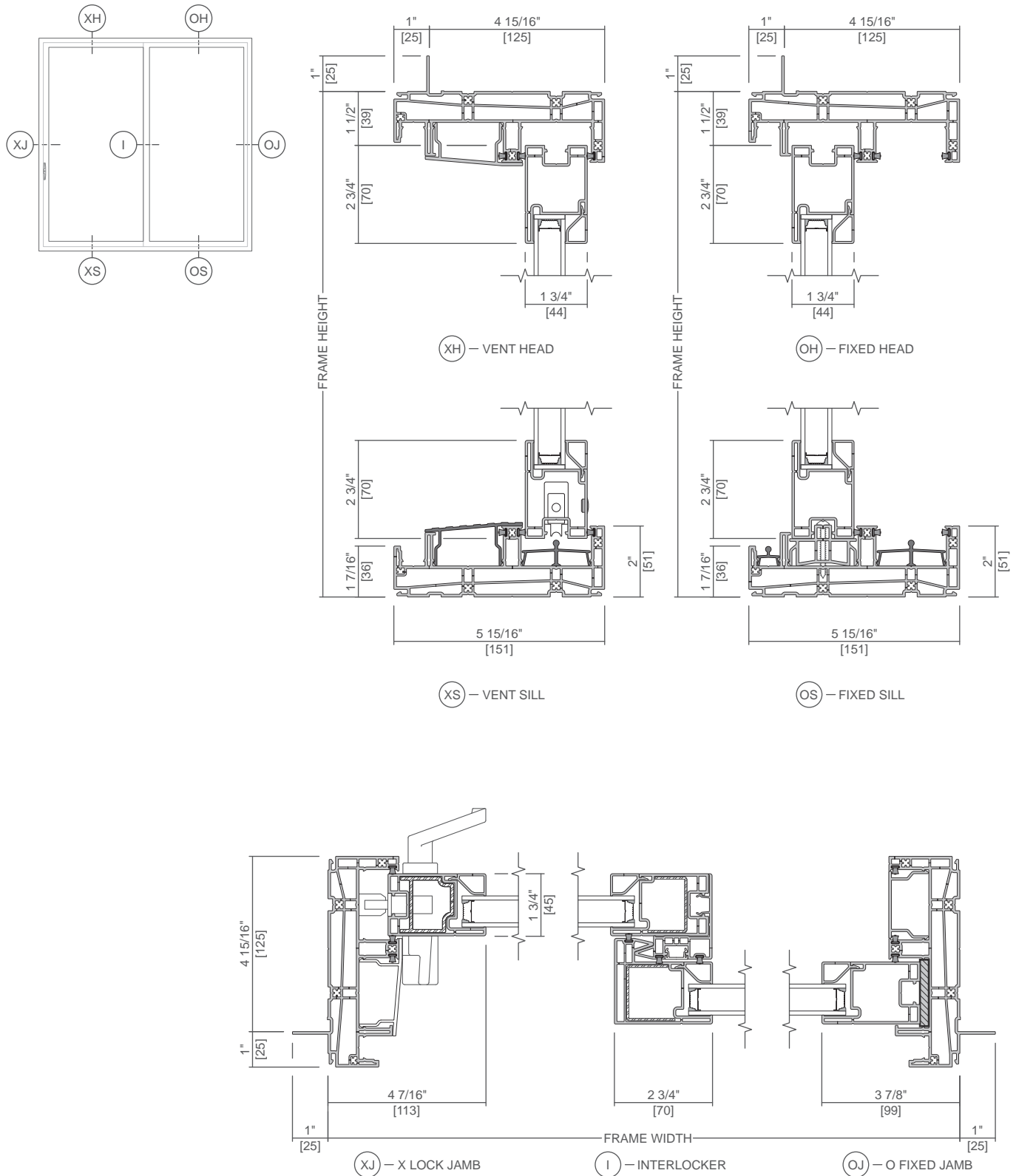
Scale 3" = 1' 0"

All dimensions are approximate.



250 Series Standard and Premium Sliding Patio Door

Unit Sections - 1" Fin Setback



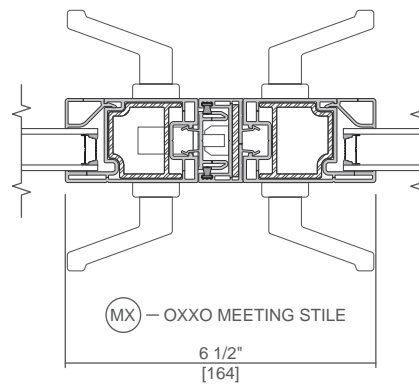
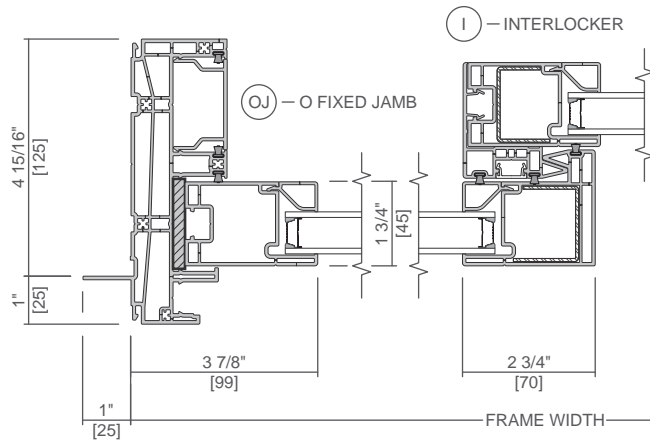
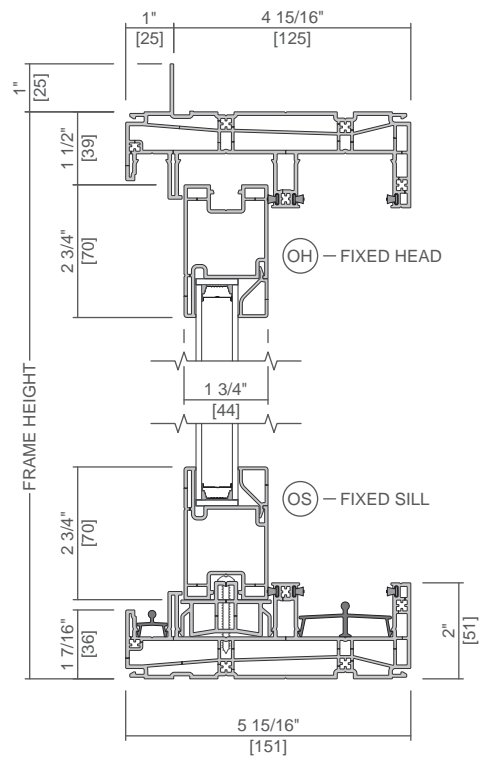
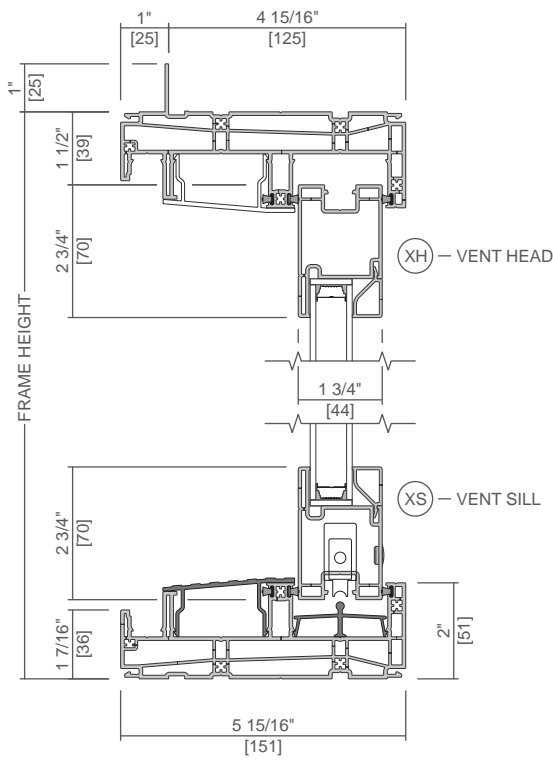
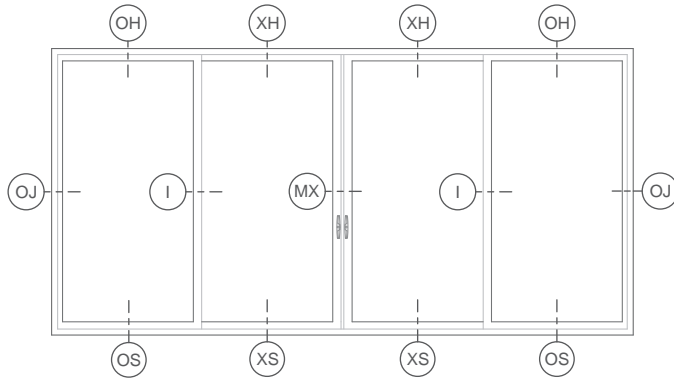
Scale 3" = 1' 0"

All dimensions are approximate.



250 Series Standard and Premium Sliding Patio Door

Unit Sections - 1" Fin Setback



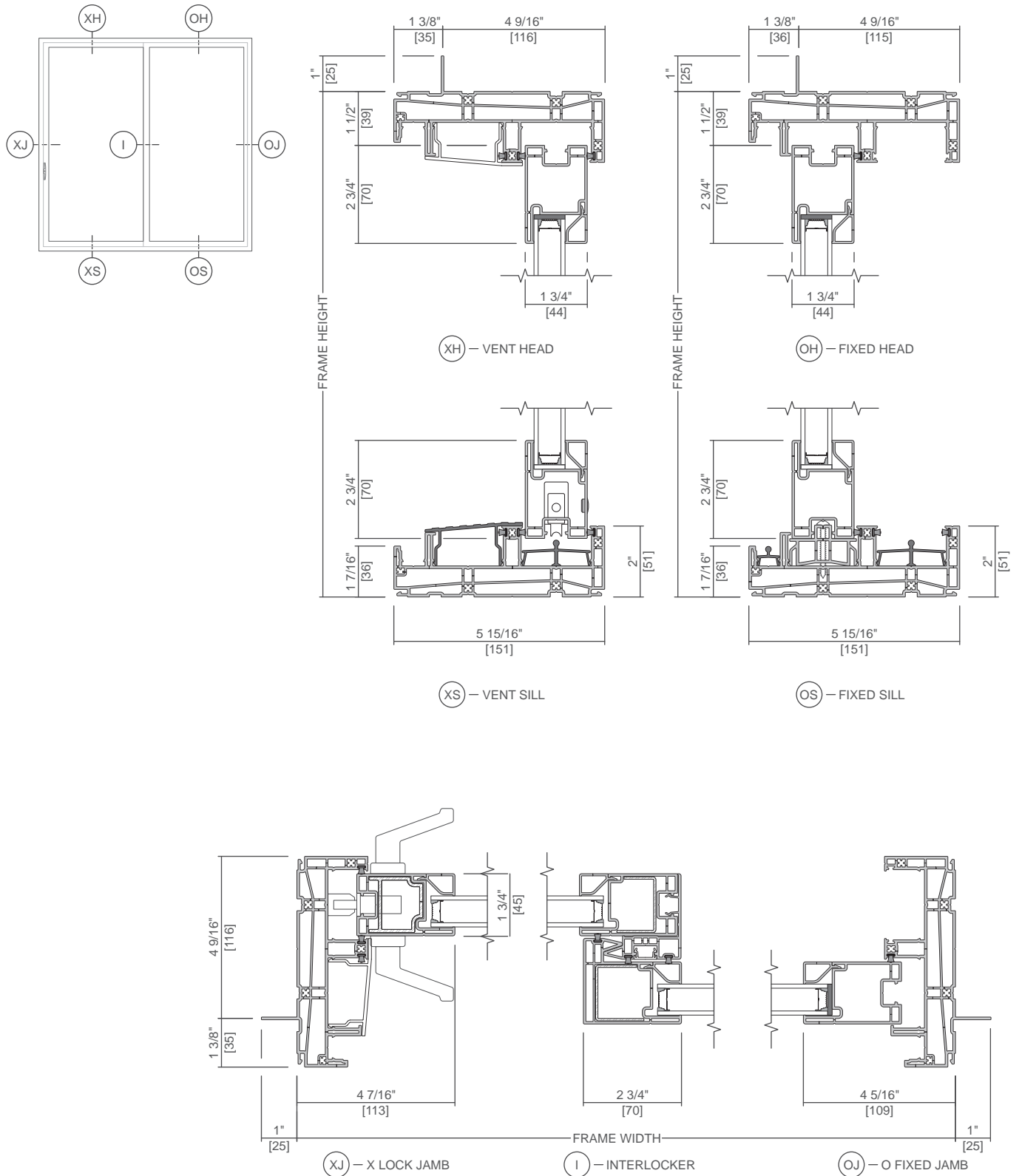
Scale 3" = 1' 0"

All dimensions are approximate.



250 Series Standard and Premium Sliding Patio Door

Unit Sections - 1-3/8" Nail Fin



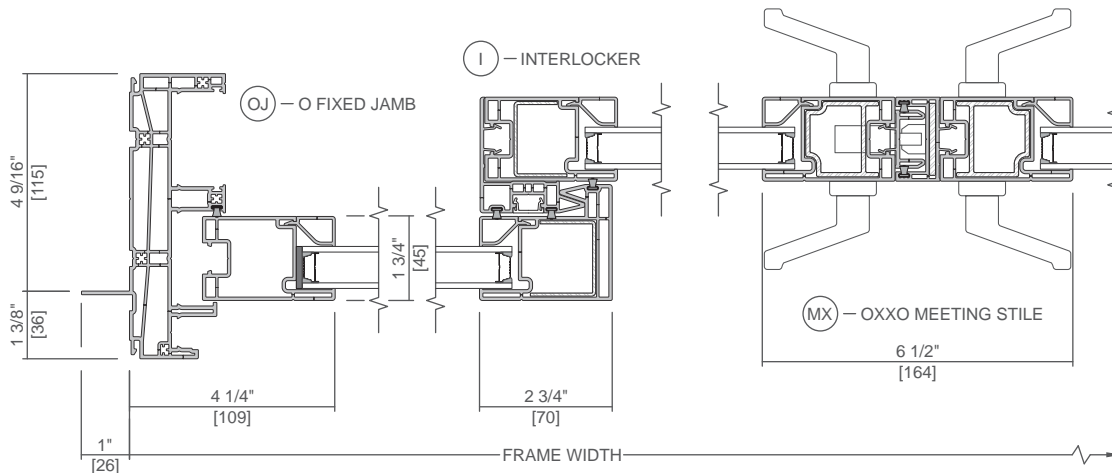
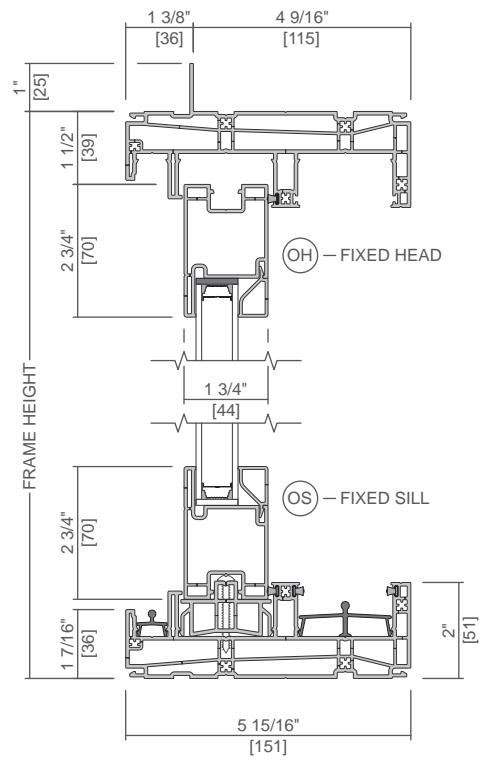
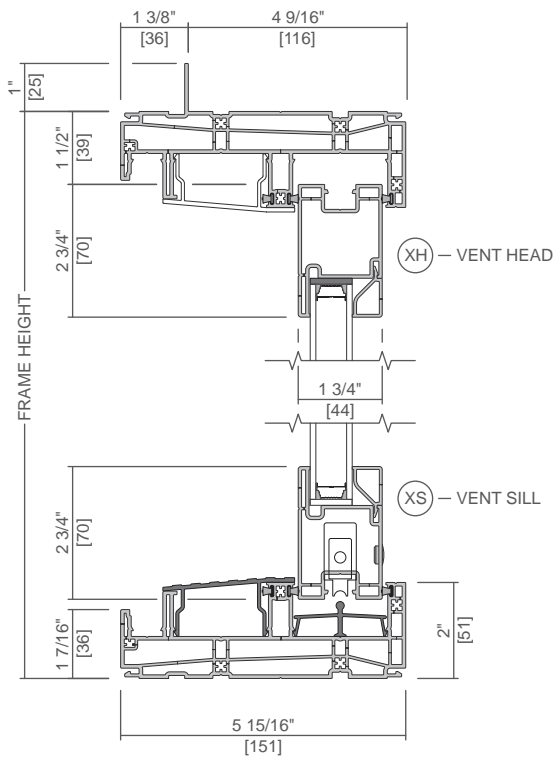
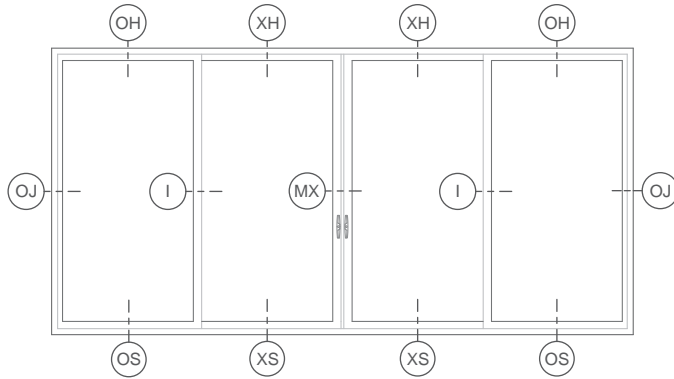
Scale 3" = 1' 0"

All dimensions are approximate.



250 Series Standard and Premium Sliding Patio Door

Unit Sections - 1-3/8" Nail Fin



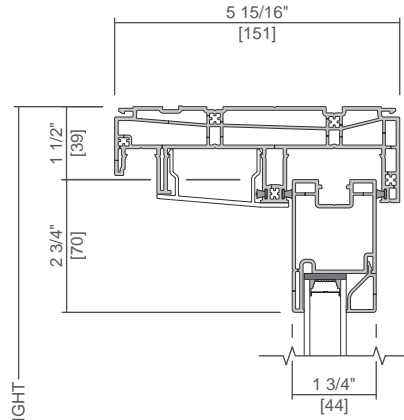
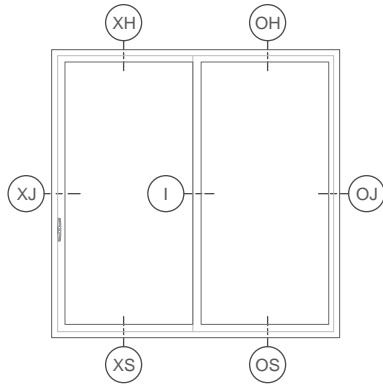
Scale 3" = 1' 0"

All dimensions are approximate.

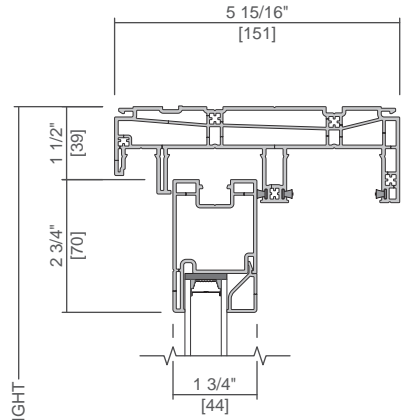


250 Series Standard and Premium Sliding Patio Door

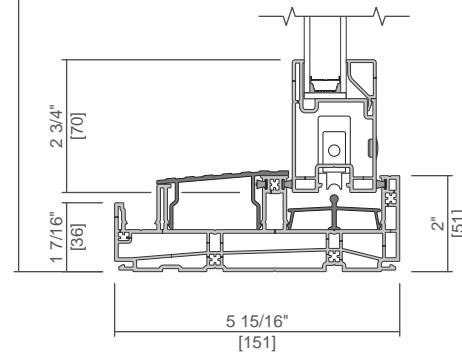
Unit Sections - Block Frame



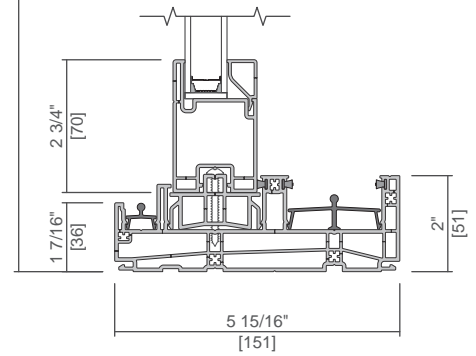
(XH) - VENT HEAD



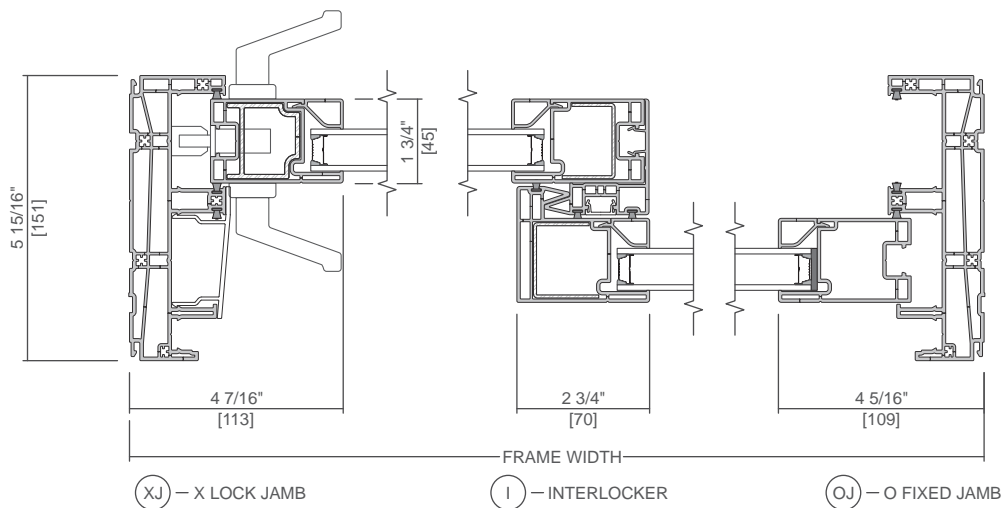
(OH) - FIXED HEAD



(XS) - VENT SILL



(OS) - FIXED SILL



(XJ) - X LOCK JAMB

(I) - INTERLOCKER

(OJ) - O FIXED JAMB

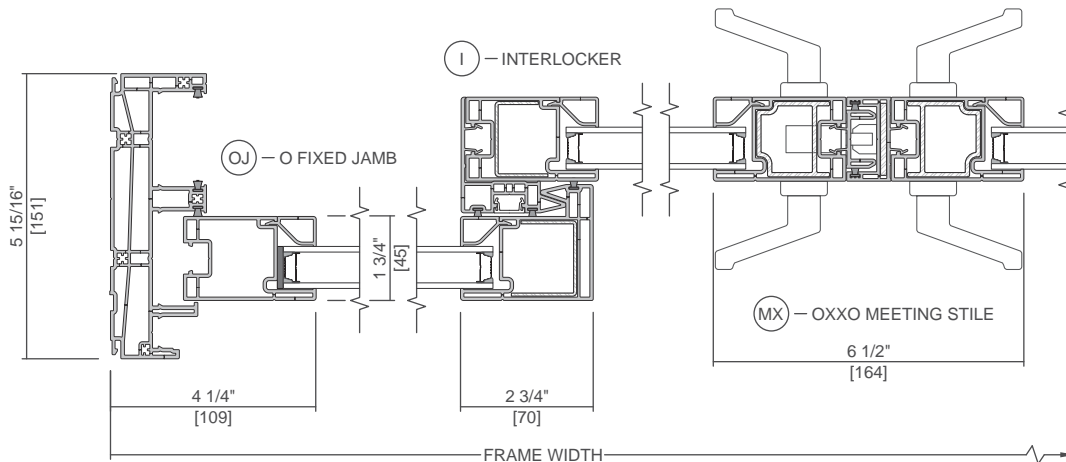
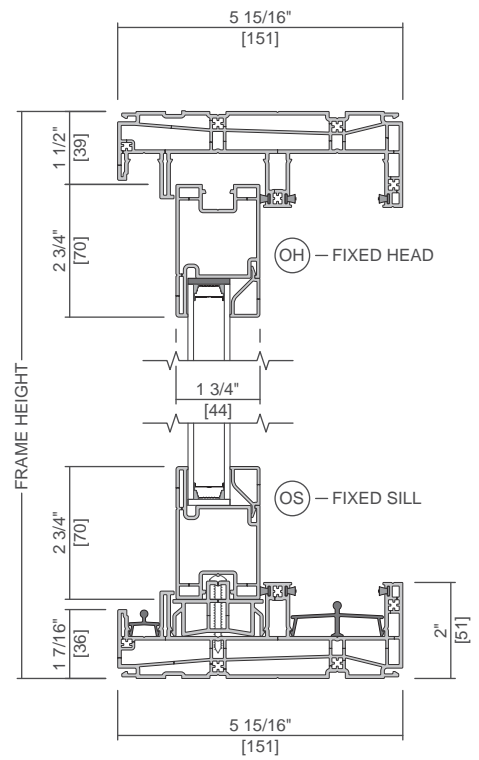
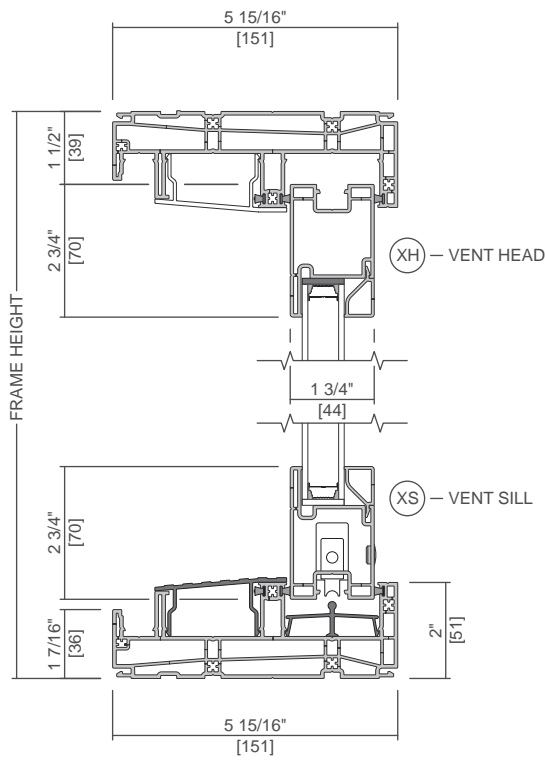
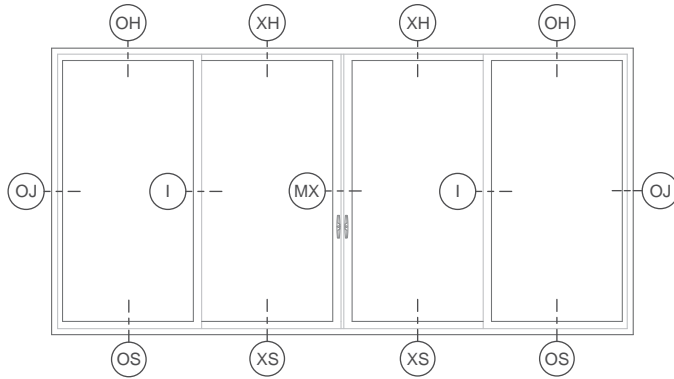
Scale 3" = 1' 0"

All dimensions are approximate.



250 Series Standard and Premium Sliding Patio Door

Unit Sections - Block Frame



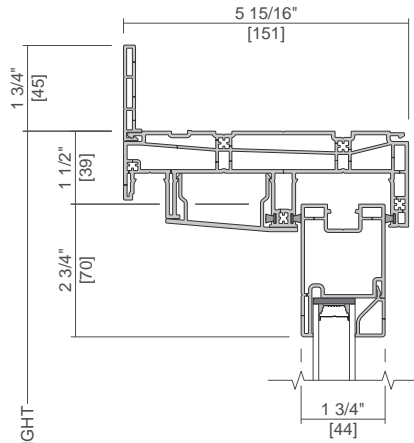
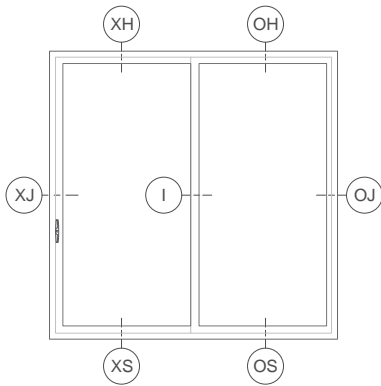
Scale 3" = 1' 0"

All dimensions are approximate.

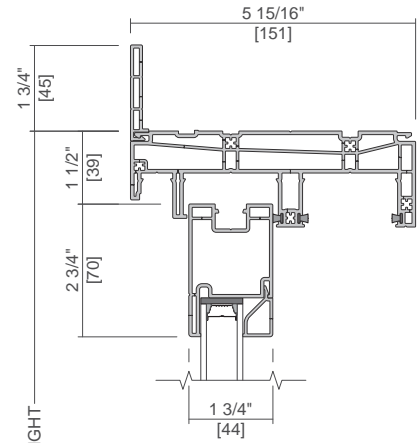


250 Series Standard and Premium Sliding Patio Door

Unit Sections - Flush Flange



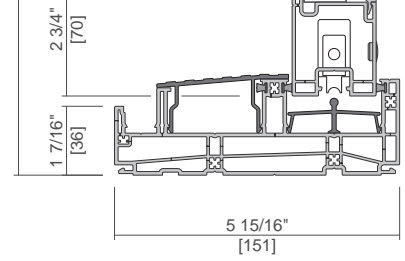
(XH) – VENT HEAD



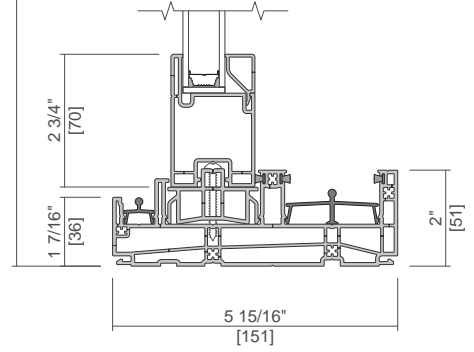
(OH) – FIXED HEAD

FRAME HEIGHT

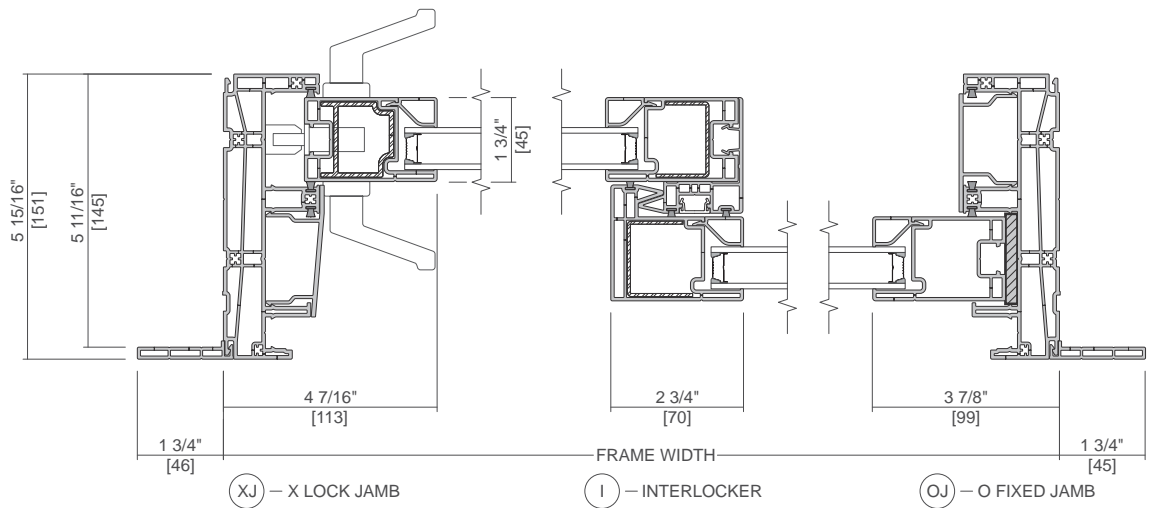
FRAME HEIGHT



(XS) – VENT SILL



(OS) – FIXED SILL



(XJ) – X LOCK JAMB

(I) – INTERLOCKER

(OJ) – O FIXED JAMB

FRAME WIDTH

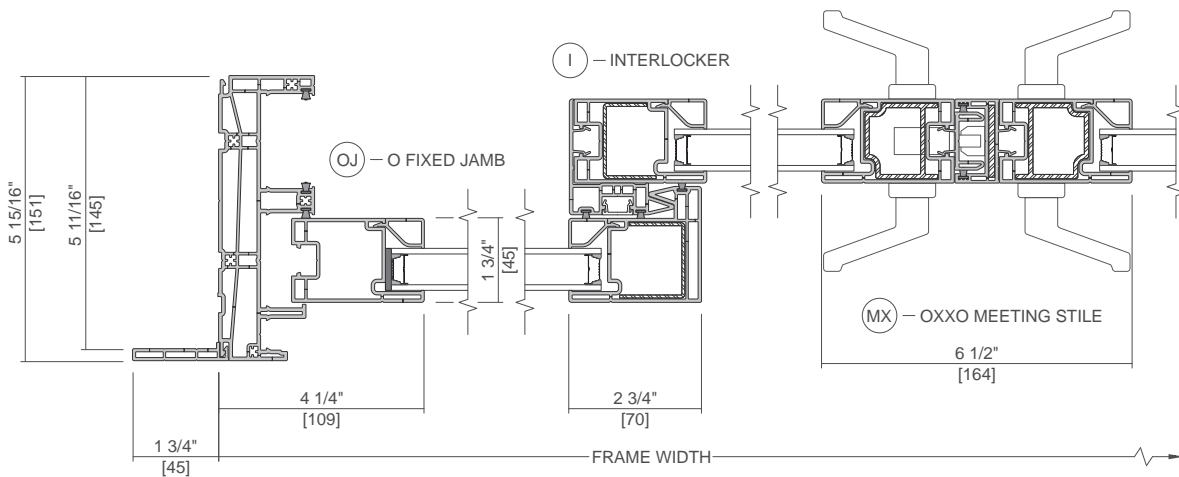
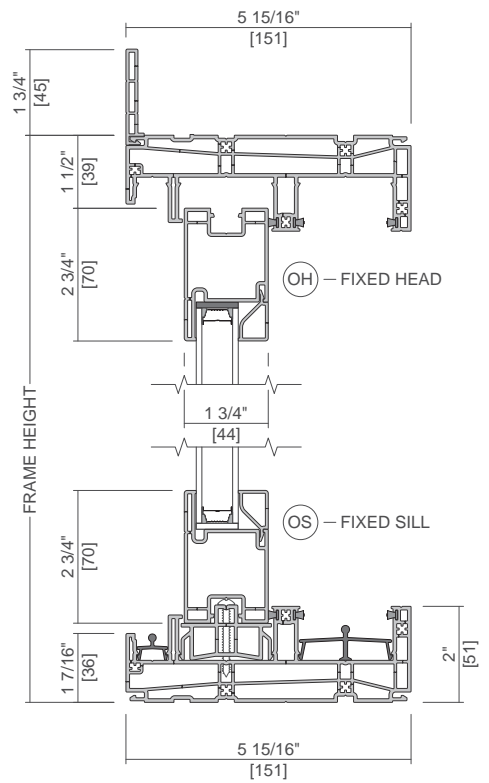
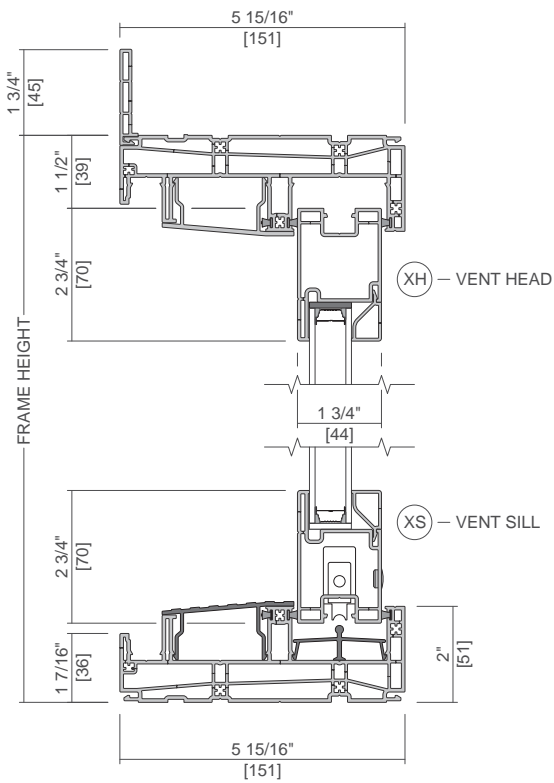
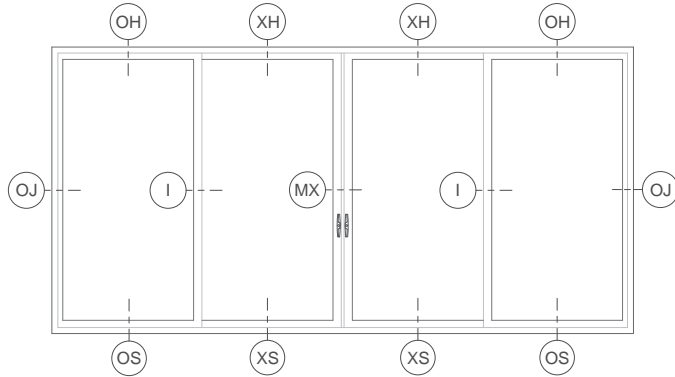
Scale 3" = 1' 0"

All dimensions are approximate.



250 Series Standard and Premium Sliding Patio Door

Unit Sections - Flush Flange



Scale 3" = 1' 0"

All dimensions are approximate.