



INSTALLATION INSTRUCTION - INSTRUCCIONES DE INSTALACIÓN APPLYING HINGE STRAPS TO PLANK PANEL

Lea las instrucciones en español en el reverso.

Please read instructions thoroughly before beginning application.

Note: Pella recommends finishing the door panel before strap application.

1 INSTALLING HINGE STRAPS:

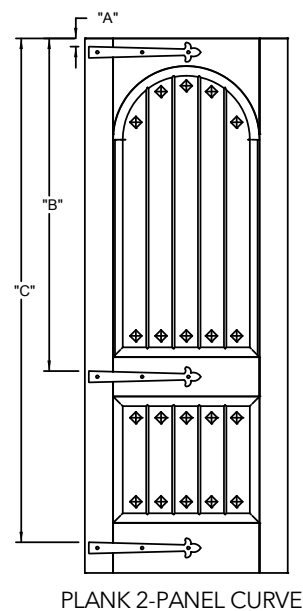
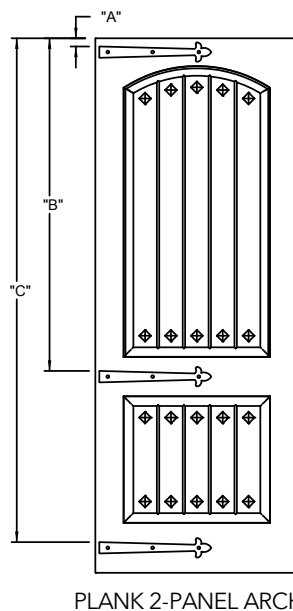
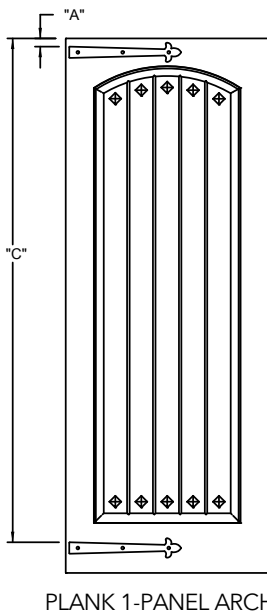
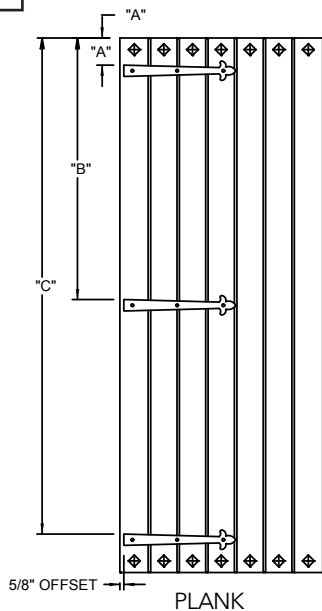
- A. Clean area(s) on panel with Isopropyl Alcohol where each hinge strap is to be applied. The area must be dry before strap(s) can be applied.

Use the dimensions in the chart to place each hinge strap on the exterior of the door panel. Dimensions listed are from the top of the door panel to the top of each hinge strap. All straps are offset 5/8" from edge of panel.

HINGE STRAP LOCATIONS							
All straps to be offset 5/8" from edge of panel		16" Hinge Strap Dimensions			20" Hinge Strap Dimensions		
PANEL	SIZE	"A"	"B"	"C"	"A"	"B"	"C"
Plank w/ Clavos	79-1/16"	5-1/16"	38-3/4"	72-3/8"	4-7/8"	38-1/2"	72-3/16"
Plank w/ Clavos	95-1/16"	5-1/16"	46-3/4"	88-3/8"	4-7/8"	46-1/2"	88-3/16"
Plank w/o Clavos	79-1/16"	2-9/16"	38-3/4"	74-7/8"	2-3/8"	38-1/2"	74-11/16"
Plank w/o Clavos	95-1/16"	2-9/16"	46-3/4"	90-7/8"	2-3/8"	46-1/2"	90-11/16"
Plank 1-Panel Arch	95-1/16"	1-15/16"	-	90"	1-3/4"	-	89-3/4"
Plank 2-Panel Arch	79-1/16"	1-15/16"	50-5/16"	74-7/16"	1-3/4"	50-1/8"	74-3/16"
Plank 2-Panel Arch	95-1/16"	1-15/16"	59-9/16"	90"	1-3/4"	59-3/8"	89-3/4"
Plank 2-Panel Curve	95-1/16"	1-15/16"	59-9/16"	90"	1-3/4"	59-3/8"	89-3/4"
2-Panel Curve	95-1/16"	1-15/16"	59-9/16"	90"	1-3/4"	59-3/8"	89-3/4"
4-Panel Curve	79-1/16"	1-15/16"	50-5/16"	74-7/16"	1-3/4"	50-1/8"	74-3/16"
4-Panel Curve	95-1/16"	1-15/16"	59-9/16"	90"	1-3/4"	59-3/8"	89-3/4"
2-Panel Arch	79-1/16"	1-15/16"	50-5/16"	74-7/16"	1-3/4"	50-1/8"	74-3/16"
2-Panel Arch	95-1/16"	1-15/16"	59-9/16"	90"	1-3/4"	59-3/8"	89-3/4"

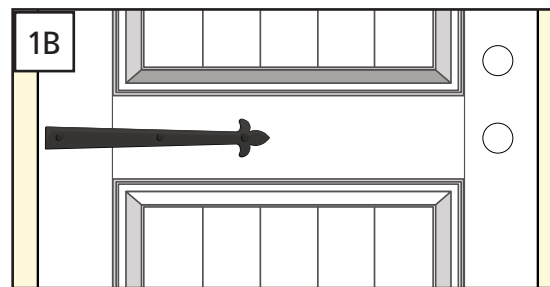
1A

PLANK PANELS

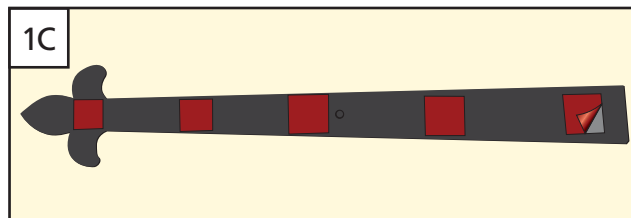


1 INSTALLING HINGE STRAPS (CONTINUED):

- B. Prior to removing the hinge strap adhesive backing tape; place each strap on the panel to verify position. For best appearance make sure each hinge strap is straight/level on the panel.



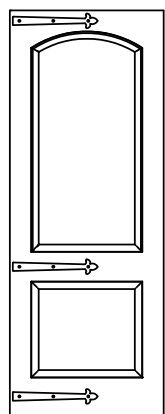
- C. Remove the backing tape from each of the adhesive locations on the back side of the hinge strap. Place the hinge strap on the panel.



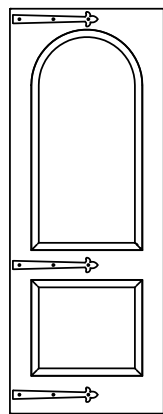
Note: Once positioned the straps can not be removed and repositioned. Repositioned straps will not adhere properly. If the straps are positioned incorrectly, new straps must be ordered. If straps are removed, use a mild cleanser to clean off any remaining adhesive.

- D. Firmly press the hinge strap on the panel and apply pressure along the entire strap for 10 seconds.

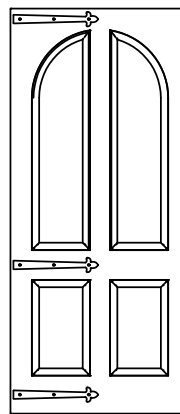
NON PLANK PANELS FOR REFERENCE



2-PANEL ARCH



2-PANEL CURVE



4-PANEL CURVE

2 STRAP MAINTENANCE AND REPAIR:

- A. Periodically clean straps with a mild cleaner and soft cloth.
- B. To repair scratched or damaged straps:
- Clean affected area thoroughly. Sand lightly if needed.
 - Paint affected area with a semi-gloss black exterior grade lacquer paint. (Test color before painting.)