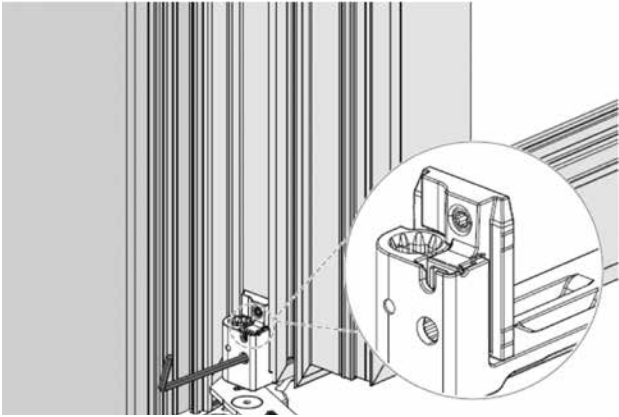


# CASEMENT HARDWARE ADJUSTMENTS

## CASEMENT HARDWARE ADJUSTMENTS

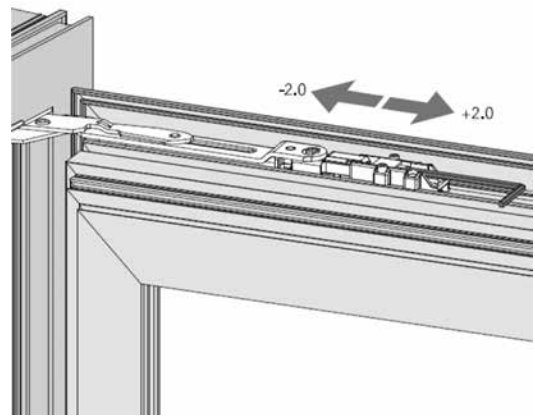
### 1 LATERAL ADJUSTMENT



#### LATERAL ADJUSTMENT (Bottom Hinge)

1. Open window 90 degrees.
2. Using a 4mm hex key, adjust the sash until the reveal to the frame is even on both sides.

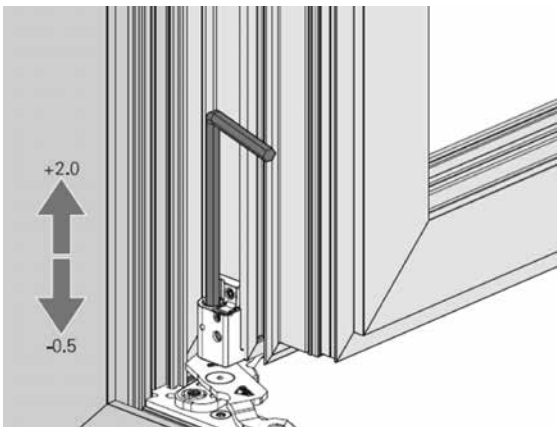
### 2 LATERAL ADJUSTMENT



#### LATERAL ADJUSTMENT (Top Hinge)

1. Open window 90 degrees.
2. Using a 4mm hex key, adjust the sash until the reveal to the frame is even on both sides.

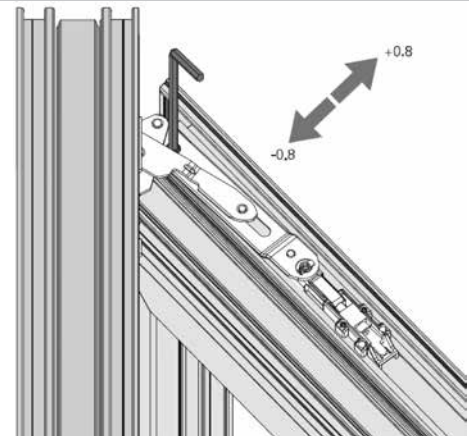
### 3 HEIGHT ADJUSTMENT



#### HEIGHT ADJUSTMENT (Bottom Hinge)

1. Open window 90 degrees.
2. Using a 4mm hex key, adjust the sash until the reveal to the frame is even.

### 4 GASKET COMPRESSION



#### GASKET COMPRESSION (Top Hinge)

1. Open window to about 30 degrees.
2. Using a 4mm hex key, adjust the sash until it compresses the perimeter gasket when locked.