

Multi-Slide Patio Door Installation

WARRANTY





For applicable product warranty and arbitration information, please see product website.

IMPORTANT NOTICE

These instructions were developed and tested for use with wall systems designed to manage water. These instructions are not to be used with any other construction methods or window frame types. Installation instructions for use with other construction methods, building materials, and site conditions unique to your project may require an installation method different from these instructions and/or additional care. Determining the appropriate installation method is the responsibility of you, your architect, or construction professional. Additional preparation or anchoring may be required to comply with local building code requirements.

Please read entire instruction completely before beginning.

Safety Alert Symbol Reference: These symbols are intended to alert you to potential injury hazards and information. Obey all safety messages.

COULD Result in:	 WARNING Major Injury/Death	COULD Result in:	 CAUTION Minor Injury	COULD Result in:	 NOTICE Product or Property Damage	COULD Result in:	 IMPORTANT Procedure and Product Info.
----------------------------	---	----------------------------	---	----------------------------	---	----------------------------	--

 WARNING	 WARNING
Windows and doors can be extremely heavy. To avoid injury, use appropriate lifting techniques and an adequate number of people to carry and install the product. Mechanical lifting assistance may be needed for larger panels and glass. Failure to do so can result in injury or damage to product or property.	To ensure safety and security and help prevent property damage, including possible damage to you window or door, close and lock windows and doors any time they are not being used for venting on a nice day, and particularly during high winds or rain.
 WARNING	 WARNING
This product may contain chemicals known to the state of California to cause cancer, birth defects, or other reproductive harm. For more information go to www.P65Warnings.ca.gov .	Doors and certain windows are glazed with safety glass (tempered or laminated). If broken, glass must be replaced with safety glass in accordance with state and federal laws.
 WARNING	 CAUTION
Special care must be taken with units with protective glass film applied. DO NOT remove protective film near flammable materials. Static charge created when removing the film can ignite flammable materials or cause a shock. DO NOT place suction grips over film seams. Suction grips will not hold if placed over film seam to lift heavy glass or panels.	Many windows and doors in older homes are painted with lead-based paint. Removal of old windows and doors may disturb this paint. Proper precautions must be taken to minimize exposure to dust and debris. Consult state or local authorities and/or go to www.epa.gov/lead for more information.
NOTICE	 CAUTION
Remove plastic wrap and protective packaging. Perform a complete unit inspection, checking for shipping damage, broken glass, or other physical damage.	Always wear appropriate gloves and eye protection for all procedures. Follow manufacturers' instructions for hand and power tools.

Multi-Slide Patio Door Installation

NOTICE CLEANING INSTRUCTIONS

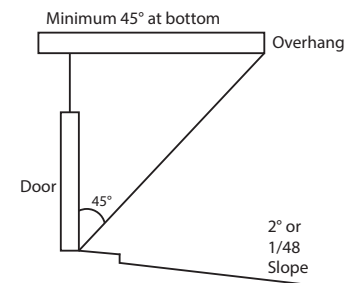
Vinyl, aluminum, steel, and fiberglass may be cleaned with mild soap and water. Hard to remove stains and mineral deposits may be removed with mineral spirits. Factory-applied painted surfaces can be cleaned with mild household detergents and water. Remove any protective film and labels prior to cleaning the glass using a soft, clean, grit-free cloth and mild soap or detergent.

- Do NOT clean any surface with gasoline, diesel fuel, solvent-based, or petroleum-based products.
- Do NOT use abrasive materials or strongly acidic solutions against vinyl, aluminum, glass, steel, fiberglass, or factory-applied finishes.
- Do NOT scrape or use tools that might damage the surface.
- Do NOT paint vinyl or aluminum surfaces.
- Do NOT paint or stain the weatherstrip.
- Do NOT use mastic-type tapes such as Duct Tape®.

Note: If masking tape is used on any surface to aid in painting or staining, remove tape as soon as possible after use. Tape must be removed within 24 hours of application. For long term use such as stucco applications, use tape that will release even when exposed to high temperatures for an extended period.

Multi-slide doors come in a wide array of configurations and sill types. Not all configurations and applications will be suitable for all environments. In general, it is highly recommended that Multi-Slide systems are installed in areas with sufficient overhangs as required to prevent water or air infiltration. The suggested overhang of the structure should match the height of the unit being installed. Failure to do so may result in structural damage to the surrounding area, finishes and/ or systems.

Multi-slide doors come in 2 variations, Stacked and Pocketing. On stacked units the panels will stack up behind the first and/or last panel in the door. On pocketing doors, the frame tracks will extend into a wall cavity so that when the panels are in the open position, they will be concealed into a wall cavity that keeps them out of the viewable opening of the door. Installation of pocketing multi-slide doors requires additional steps not covered in these instructions. Please refer to the Pocketing Multi-Slide Instruction Guide for full details.



Site Preparation Instructions

Multi-slide Doors in general can be some of the most time-consuming doors to install. But great care has been taken to make this door one of the quickest and easiest to assemble. Opening Prep is critical to a successful installation, so take extra time to prepare and verify the opening prior to assembly of the door. Separate instructions for the preparation of the opening can be found at the product website.

Due to their excessive size and weight, Multi-Slide doors will be shipped with the frames knocked down (KD). These frames will need to be assembled on site. Make sure you have adequate room to assemble the full door frame to the exterior of the opening.

TOOLS AND MATERIALS NEEDED












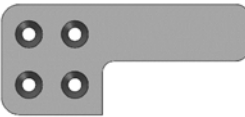
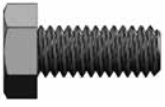
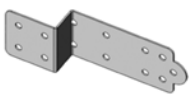

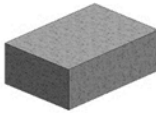


Tools Needed:

- Measuring tape
- Level (laser level works better for larger openings)
- Speed Square
- Rubber hammer
- Power driver
- Utility knife
- Power drill
- 5/32" masonry drill bit (if on concrete slab)
- 1/8" drill bit
- J-roller
- Caulk gun
- Glass suction cups (heavy load)
- Pry bar

Installation Materials:

- 4" Flashing tape
- #8 x 2" flat head screws
- High quality sealant
- Shims
- Low-expanding foam
- Rigid sill pan
- 2 x 4 studs to use as story poles (if necessary)

Multi-Slide Patio Door Installation

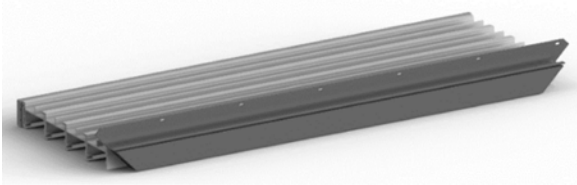
INCLUDED PARTS – HARDWARE PACKS		
 <p>A. Qty. (50) #10 x 2-1/2" Pan Head #1309240 Frame & Stat Panel Install</p>	 <p>B. Qty. (2) #8 x 2 1/2" Pan Head #971632 Frame Clad to Sill Nose</p>	 <p>C. Qty. (10) 3/16" x 2-1/4" Concrete #1303080 Sill Installation</p>
 <p>D. Qty. (4) #8 x 2-1/2" Flat Head #1019541 Through Keeper into frame</p>	 <p>E. Qty. (10) #8 x 1-1/2" Pan Head #944754 Through Side Jamb to Sill</p>	 <p>F. Qty. (8) #7 x 1-1/4" Flat Head #1182912 Stat. Panel Clip to Panel</p>
 <p>G. Qty. (4) Corner Key Screw #1307286 Frame Corner Key</p>	 <p>H. Qty. (20) Corner Key Retainer Clip #1308014 Frame Corner Key</p>	 <p>I. Qty. (2) 1/4" Hole Plug #982045 Corner Injection Plug</p>
 <p>J. Qty. (1) 1/4" #25 Torx Bit #1309756 For Corner Key Screw</p>	 <p>K. Qty. (4/Plate) #8 x 1-1/4" Flat Hd #1019540 Collector Plate Screws</p>	 <p>L. Qty. (0-8 based on no. of panels) #943697 Collector Plate</p>
 <p>M. 5/16 – 18 x 3/4" Hex Head Bolt^B #1313181 Closure Board Bolt</p>	 <p>N. Fixed Panel Clip^A 1 clip per Fxd Panel #979193</p>	 <p>O. Cladding Corner Key – Qty 2 #1307285 Corner Key</p>
 <p>Head Track Cover Foam Block one per cover #1309158</p>	 <p>Interlock Weatherstrip Pad one per interlock #987189</p>	 <p>Panel Roller Adjustment Wrench #1321503 6mm Hex Wrench</p>

^A Not included with Pocket Doors.

^B Included only with Pocket Doors.

Multi-Slide Patio Door Installation

INCLUDED PARTS – FRAME / PANEL COMPONENTS



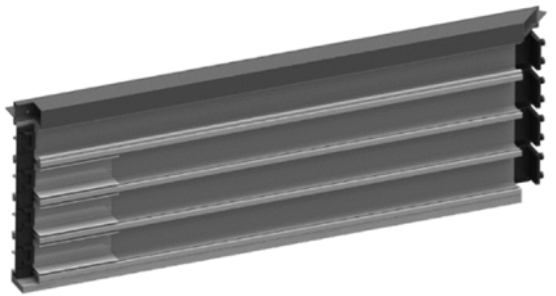
Head Jamb



Sill



Strike Jamb



Fixed Jamb



Pocket Interlocker(s)^B



Panel Interlock and Closure Board(s)^B



Exterior Aluminum Cover(s)



Interior Aluminum Cover(s)^A

^A Not included with Pocket Doors.

^B Included only with Pocket Doors.

Multi-Slide Patio Door Installation

INCLUDED PARTS – FRAME / PANEL COMPONENTS (continued)



Sill Riser (height will vary)



Handle Set Pack (boxed)



Door Panel(s)

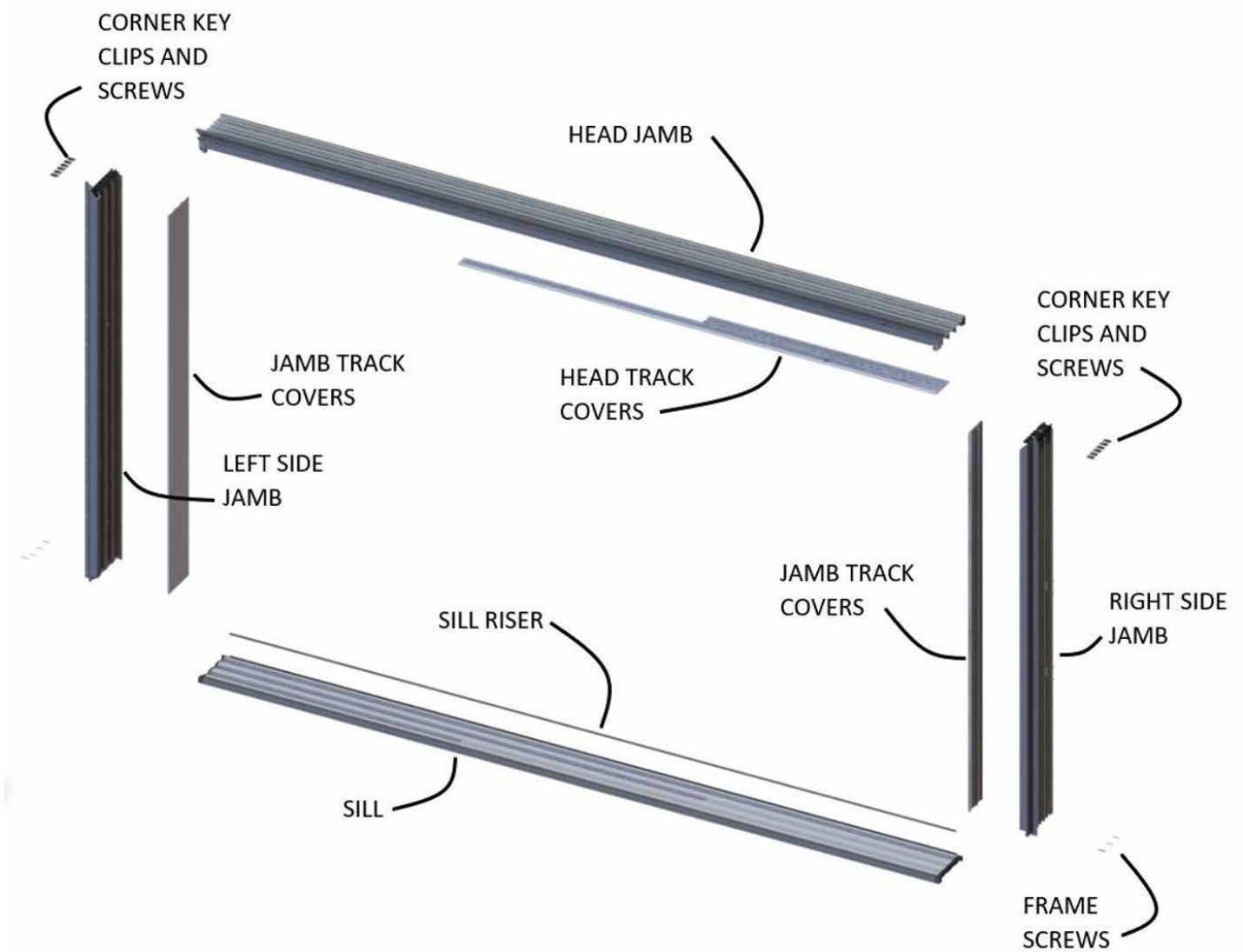
Multi-Slide Patio Door Installation

KD FRAME ASSEMBLY INSTRUCTIONS – STACKED FRAME

For assembly instructions for pocket doors see page 9.

EXPLODED VIEW PARTS PLACEMENT

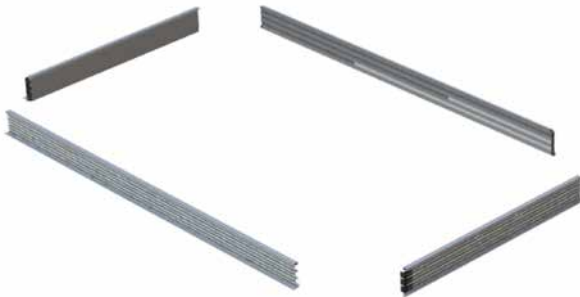
Stacked Config. (OXX Handling Shown)



Multi-Slide Patio Door Installation

KD FRAME ASSEMBLY INSTRUCTIONS – STACKED FRAME (continued)

1 PREPARATION OF FRAME PARTS



Lay parts out on the ground exterior side down. Use cardboard or other padding to protect them from damage. The final assembled frame will need to be tipped up and placed in the opening. Orienting the door sill nearest the opening will allow for easy placement during this step.

2 JAMB TO HEAD ATTACHMENT



Starting with the assembly of the side jambs to the head jamb. Attach the head jamb to the top of the side jamb by lining up the holes in the head jamb with the pegs on the top of the side jamb. Slide the corner keys into the aluminum cladding cavity on the side jambs.

3 JAMB TO HEAD ATTACHMENT



With the frame corner connected, lock the frame corner together by applying the Retainer Clips (H).
The clips are applied by pushing the open end of the clip against the exposed pegs until they snap into place. Use one clip for each peg.

4 JAMB TO HEAD ATTACHMENT

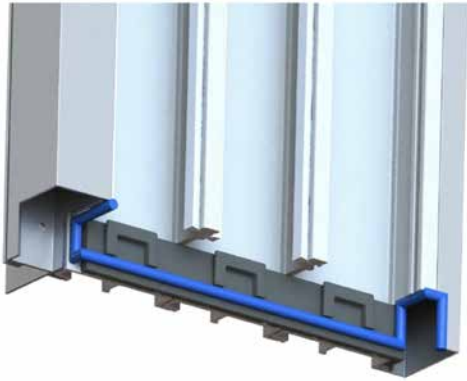


Add the corner key screw (G) into the open holes on the cladding using the provided Torx bit driver (J).
Inject silicone into the open hole in the head jamb cladding to seal the corner. Fill until silicone starts to come out the hole or the miter of the cladding. Cover injection hole with rubber hole plug (I).

Multi-Slide Patio Door Installation

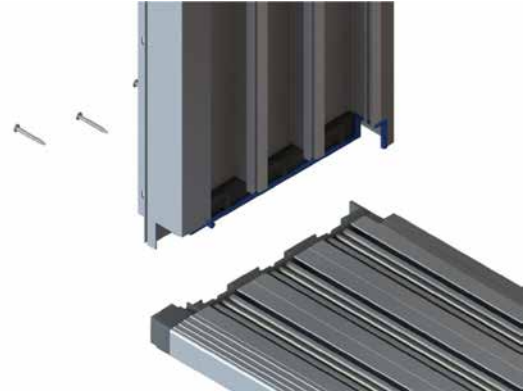
KD FRAME ASSEMBLY INSTRUCTIONS – STACKED FRAME (continued)

5 JAMB TO SILL ATTACHMENT



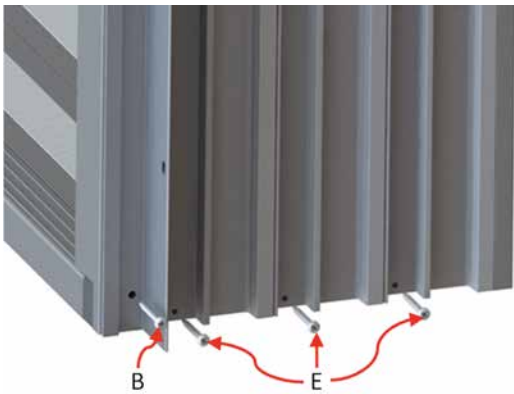
Add 1/4" continuous bead of silicone to the end cap on the side jamb.

6 JAMB TO SILL ATTACHMENT



Slide the side jambs and sill together so that the dovetail endcaps interlock.

7 JAMB TO SILL ATTACHMENT



Add Screw (B) through the side jamb cladding into the sill nose screw boss. Screw (E) (one per track) into the pre-drilled holes in the fiberglass jambs.

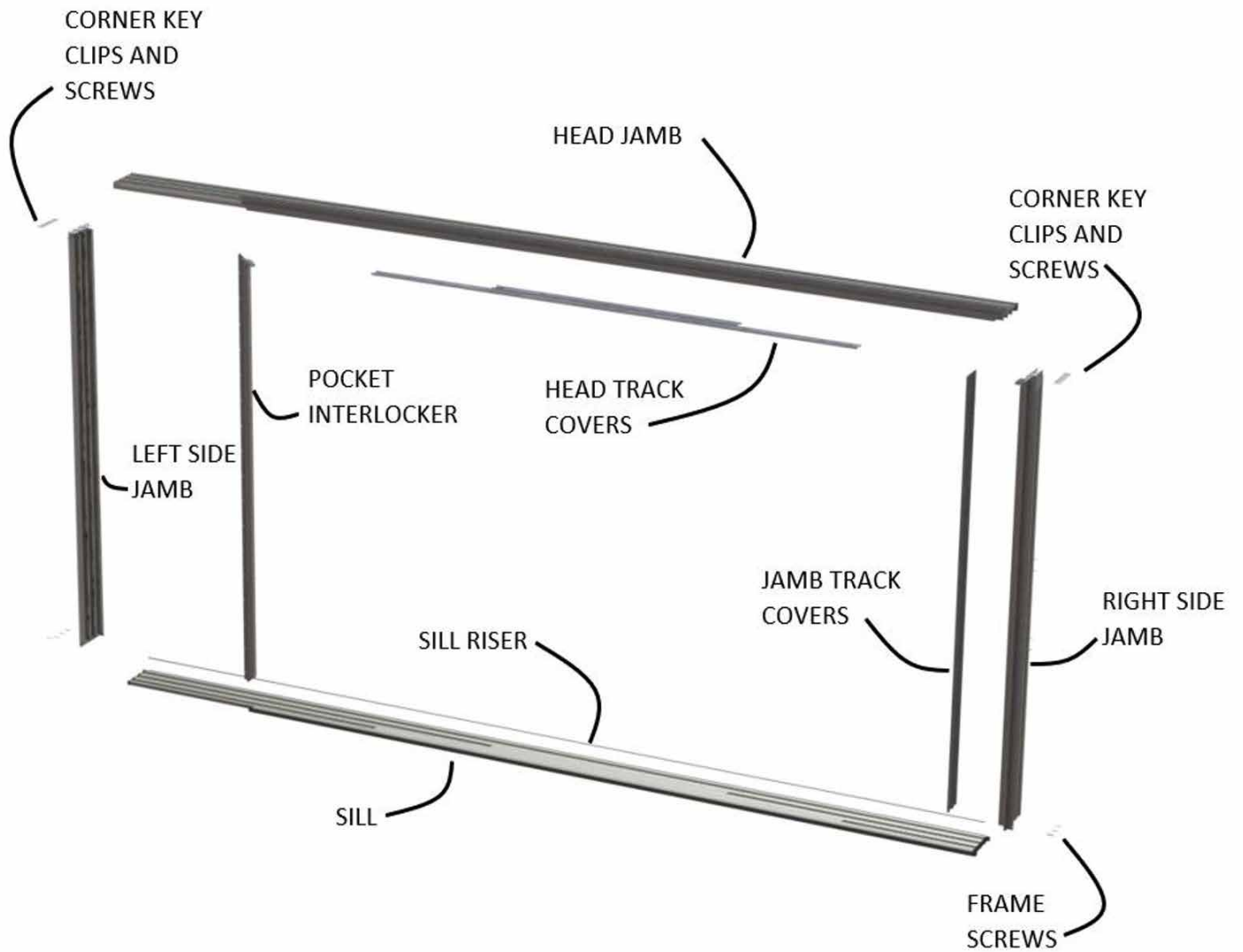
Repeat the steps for the opposite corner.

Multi-Slide Patio Door Installation

KD FRAME ASSEMBLY INSTRUCTIONS – POCKET FRAME

EXPLODED VIEW PARTS PLACEMENT

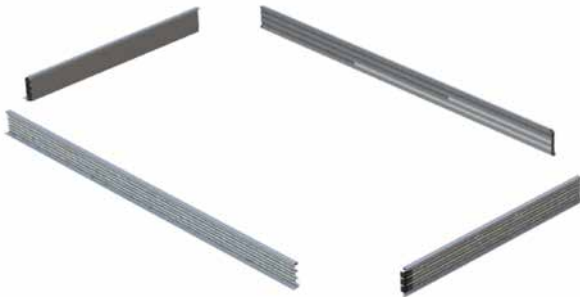
Pocket Config. (PXXXXX Handing Shown)



Multi-Slide Patio Door Installation

KD FRAME ASSEMBLY INSTRUCTIONS – POCKET FRAME (continued)

1 PREPARATION OF FRAME PARTS



Lay parts out on the ground exterior side down. Use cardboard or other padding to protect them from damage. The final assembled frame will need to be tipped up and placed in the opening. Orienting the door sill nearest the opening will allow for easy placement during this step.

2 JAMB TO HEAD ATTACHMENT



Starting with the assembly of the side jambs to the head jamb. Attach the head jamb to the top of the side jamb by lining up the holes in the head jamb with the pegs on the top of the side jamb. Slide the corner keys into the aluminum cladding cavity on the side jambs.

3 JAMB TO HEAD ATTACHMENT



With the frame corner connected, lock the frame corner together by applying the Retainer Clips (H).

The clips are applied by pushing the open end of the clip against the exposed pegs until they snap into place. Use one clip for each peg.

4 JAMB TO HEAD ATTACHMENT



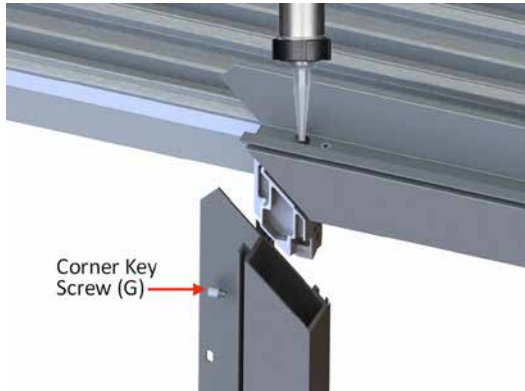
Add the corner key screw (G) into the open holes on the cladding using the provided Torx bit driver (J).

Inject silicone into the open hole in the head jamb cladding to seal the corner. Fill until silicone starts to come out the hole or the miter of the cladding. Cover injection hole with rubber hole plug (I).

Multi-Slide Patio Door Installation

KD FRAME ASSEMBLY INSTRUCTIONS – POCKET FRAME (continued)

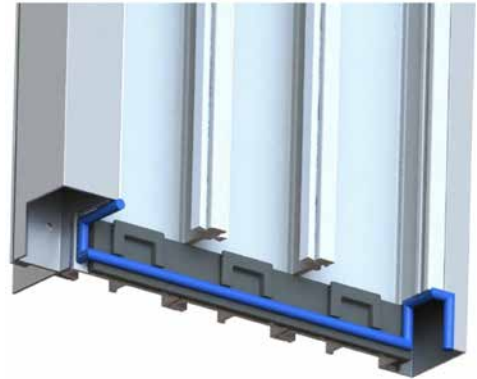
5 FRAME INTERLOCK ATTACHMENT



Corner Key
Screw (G)

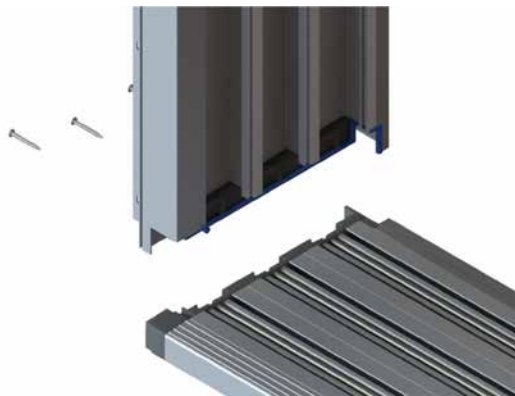
Add the corner key screw (G) into the open hole on the side jamb cladding using the provided Torx bit driver (J).
Inject silicone into the open hole in the head jamb cladding to seal the corner. Fill until silicone starts to come out the hole or the miter of the cladding. Cover injection hole with rubber hole plug (I).

6 JAMB TO SILL ATTACHMENT



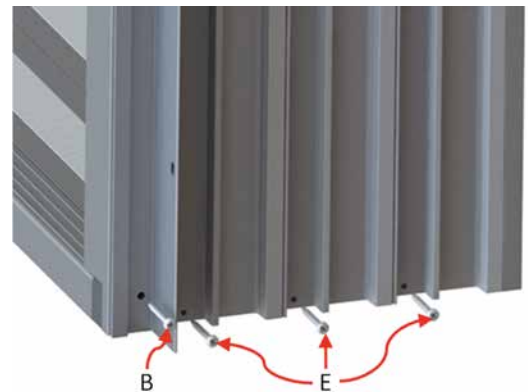
Add 1/4" continuous bead of silicone to the end cap on the side jamb.

7 JAMB TO SILL ATTACHMENT



Slide the side jambs and sill together so that the dovetail endcaps interlock.

8 JAMB TO SILL ATTACHMENT

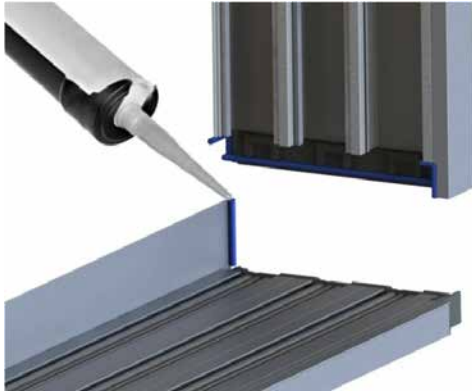


Add Screw (B) through the side jamb cladding into the sill nose screw boss. Screw (E) (one per track) into the pre-drilled holes in the fiberglass jambs.
Repeat the steps for the opposite corner.

Multi-Slide Patio Door Installation

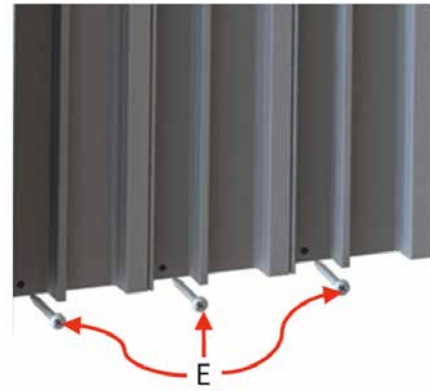
KD FRAME ASSEMBLY INSTRUCTIONS – POCKET FRAME (continued)

9 JAMB TO SILL ATTACHMENT IN POCKET



On the pocket side jamb add 1/4" bead of silicone to the end cap on the side jamb and up the inside edge of the sill dam.

10 JAMB TO SILL ATTACHMENT



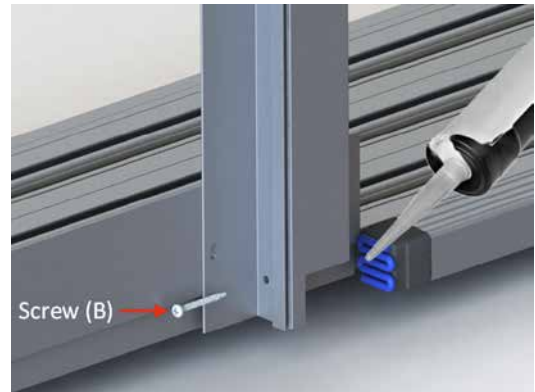
Add screw (E) (one per track) into the predrilled holes in the fiberglass jambs.

11 FRAME INTERLOCK ATTACHMENT TO SILL



Attached the interlock cladding to the sill by first applying a 1/4" bead of silicone to the interior side cladding up 3" and into the interlock. Also add a 1/4" bead of silicone on the inside edge of the sill dam.

12 FRAME INTERLOCK ATTACHMENT TO SILL



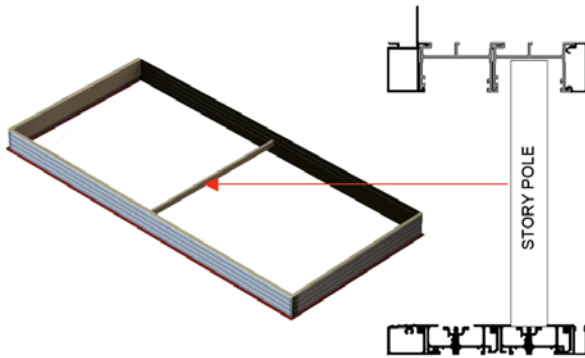
Apply sealant to the nosing on the sill. Add screw (B) through the pre-drilled hole in the cladding into the nosing on the sill.

Multi-Slide Patio Door Installation

SETTING AND FASTENING THE FRAME IN THE OPENING

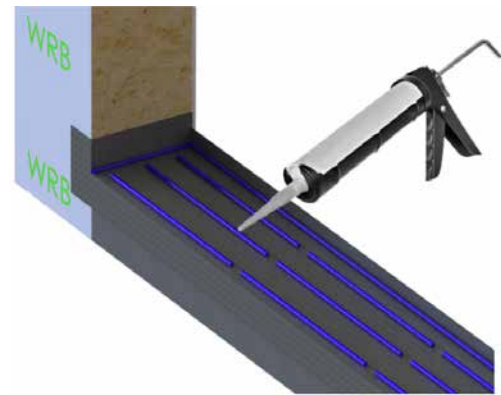
For proper water management it is recommended that multi-slide door systems be stalled with a sill pan in accordance with ASTM E2112. A Type I, Rigid Sheet option is recommended for best results. Before installing the frame into the wall, make sure the steps outlined in the Site Preparation Guide are fully completed.

1 FRAME PREPARATION



With the frame assembled insert a "story pole" between the sill and the head jamb. This will help hold the head jamb in place until the frame is fully secured to the opening.

2 SILL SEALANT



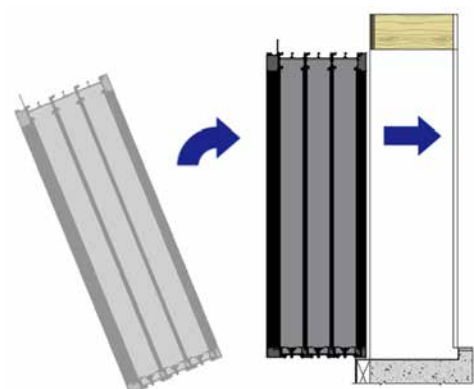
Apply a continuous 3/8" bead of polyurethane sealant to the corner of the side and back dams of the sill pan. Add three rows of sealant the full width of the door leaving 2" gaps approximately every two feet.

3 FRAME SEALANT



Apply a continuous 3/8" bead of sealant to the backside of the jamb and head nailing fins. Keep sealant in line with the pre-punched nailing fin holes.

4 FRAME INSERTION



Starting with the sill, place the door frame in the opening making sure to firmly seat the sill in the sealant. Center the door in the opening and tilt the door into position. DO NOT slide the door into the opening for this will damage the sealant lines.

Multi-Slide Patio Door Installation

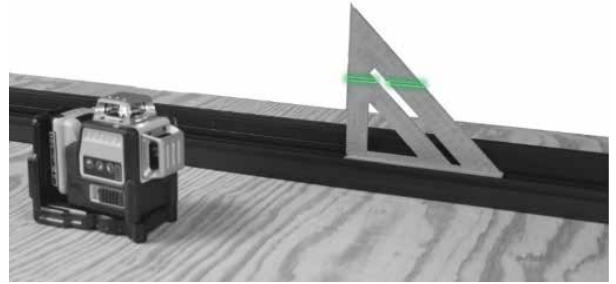
SETTING AND FASTENING THE FRAME IN THE OPENING (CONTINUED)

5 SECURE FRAME



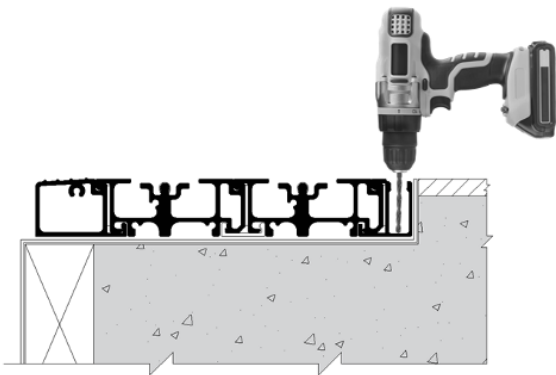
With the door centered in the opening, place a screw in each of the corners to temporarily hold the door as you level the sill.

6 LEVEL SILL



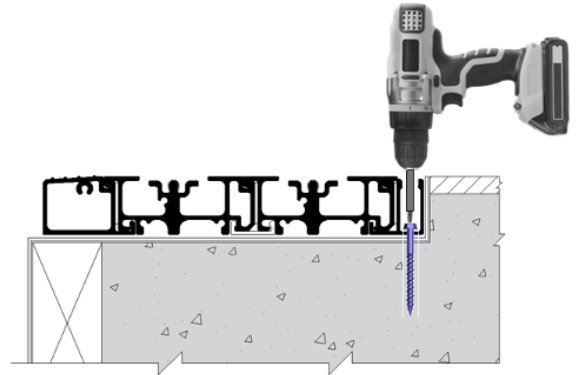
Level the sill using a laser level. If necessary, add flat, non-compressible shims as needed to correct any issues.

7 SECURE SILL



If the sill needs to be secured to the floor, predrill the sill through the interior channel into the sub-floor using a 5/32" bit. Remove any debris from around the hole.

8 SECURE SILL

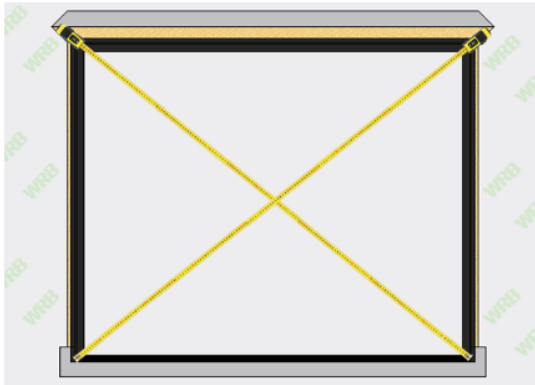


Inject the hole with silicone and apply provided 3/16" x 2-1/2" screws (Type C). Cover screw heads with additional silicone.

Multi-Slide Patio Door Installation

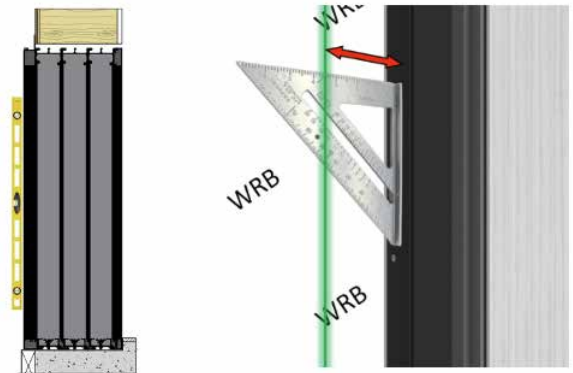
SETTING AND FASTENING THE FRAME IN THE OPENING (CONTINUED)

9 SQUARE THE FRAME



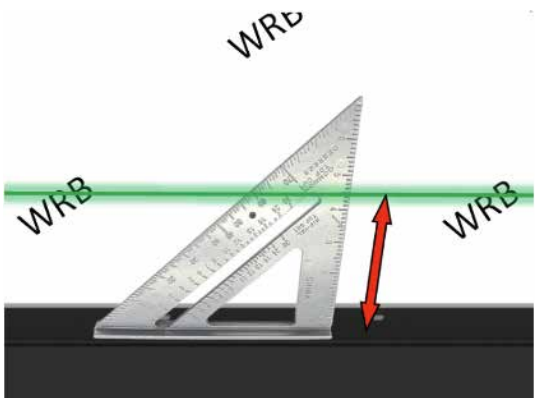
Make sure the frame is square by taking diagonal measurements. Shim frame as needed until diagonal measurements are within 1/8"

10 PLUMB THE FRAME



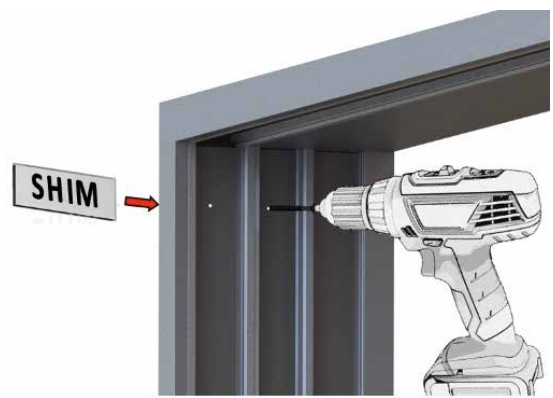
Plumb each side jamb using a long bubble level. Once jamb is plumb check that it is straight using a laser level and speed square. Screw through the pre-punched holes in the nailing fin using #8 x 2" flat head screws. Start at the bottom and work your way up checking for plumb and straight as you go. Position screws 4" from each corner and every 4" - 8" on center.

11 SQUARE THE FRAME



Level the head jamb by using a laser and speed square. Once jamb is square, screw through the pre-punched holes in the nailing fin using #8 x 2" flat head screws. Start in the center and work outward to the end.

12 PLUMB THE FRAME

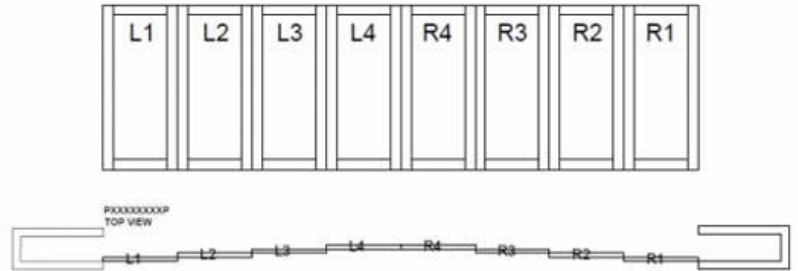


Jambs are predrilled for fasteners. Secure jambs and head through the predrilled holes using provided #10 x 2-1/2" pan head screws (Type A). Shim at all hole locations to avoid bowing the frame.

Multi-Slide Patio Door Installation

INSTALLING THE PANELS

Depending on the code of the door (panels will be labeled accordingly to ensure they are installed in the correct location in each door frame. Shown is an example of an 8-panel bi-parting door with 4 panels stacking on the left and 4 on the right. A sheet will be included with the installation hardware that depicts your exact door configuration, please refer to it prior to installing your door panels.



ATTENTION

Procedures below are based on installing the panels from the interior. For exterior installation, reverse the order of the panels with the interior most panels going in first.

⚠ WARNING

To avoid injury, use appropriate lifting techniques and adequate number of people to install panels. Mechanical lifting assistance may be needed for larger panels.

13 INSTALLING PANELS



INTERIOR VIEW

The panels are numbered in sequence that they should be installed. Installing the panels from the interior, the 1st panel should be placed in the track furthest to the exterior.

14 STATIONARY PANEL PREPARATION



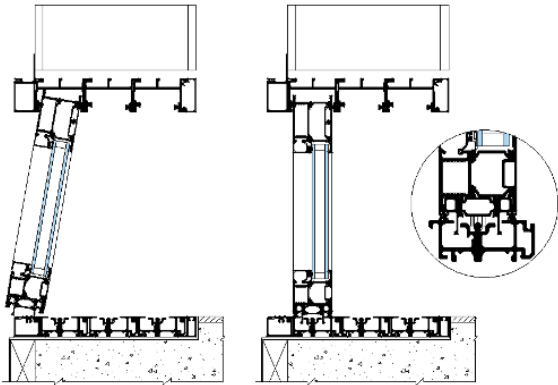
STACKED DOOR ONLY

Before installing the stationary panel, the mounting clip (O) will need to be attached so that it hangs out over the edge of the panel as shown. Using 1/8" drill bit, drill four pilot holes into the panel using the clip holes as a guide. Attach the clip with provided four (4) #7 x 1-1/4" flat head screws (Type F).

Multi-Slide Patio Door Installation

INSTALLING THE PANELS (CONTINUED)

15 INSTALLING PANELS



To install panel, hold the panel at an angle toward the head track, and insert the top of the panel into the outer most head track. Swing the bottom of the panel inward until it is parallel with the top and sits with the wheels on the corresponding sill. Gently lowering on to the roller track. Do not scrape the panel bottom over the sill. Repeat procedure until all panels are installed.

16 POCKET CLOSURE BOARD INSTALLATION



POCKET DOORS ONLY

The exterior most panel that is closest to the pocket (panel L1 and/or R1) will have a metal interlock along with a wood closure board. Once the panel is installed, install the provided 3/4" hex bolts (Type N) into the spacer blocks on the vertical panel edge. Do not tighten the bolts. Leave the head of the bolts sticking out approximately 5/16" from being tight.

17 POCKET CLOSURE BOARD INSTALLATION



POCKET DOORS ONLY

With the Type N bolts installed, the leader board and interlock can now be installed. Align the holes in the interlock with the bolts on the panel edge. Slide the closure board and interlock downward to lock into the slot. Once in place, the bolts can be tightened down completely.

18 ADJUSTING THE LEAD PANEL

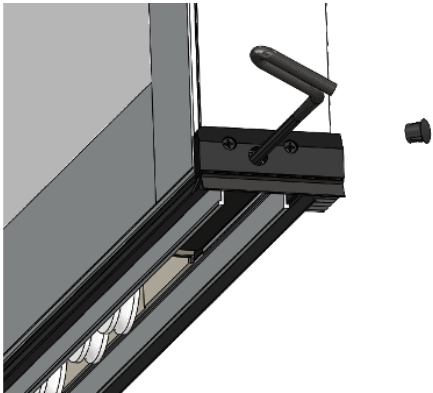


Slide the lead panel toward the locking jamb until there is a slight gap. Check for an even gap between the panel and jamb. If uneven, follow step 19 procedure to adjust panel rollers up or down.

Multi-Slide Patio Door Installation

INSTALLING THE PANELS (CONTINUED)

19 ADJUSTING THE ROLLERS



Each panel is equipped with two sets of adjustable quad rollers. The rollers can be adjusted by removing a plastic hole plug and inserting a 6mm hex wrench into the access hole on the sill end of the panel. Rotate the adjustment screw clockwise to raise the panels and counterclockwise to lower panel. For heavier panels you may need to relieve the weight on the rollers to adjust. Place a block of wood on the sill and lift the end of the panel using a prybar. Replace the hole plugs when adjustments are complete.

20 ADJUSTING THE LEAD PANEL



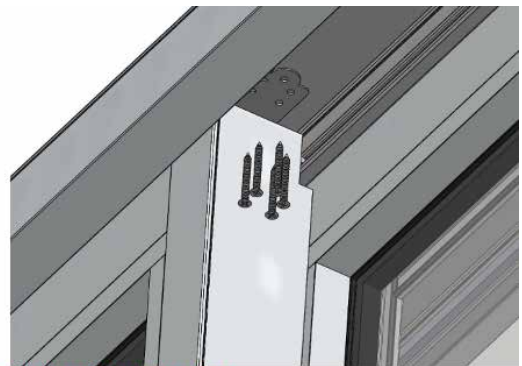
Recheck the reveal and make sure it is even. Repeat step 19 if necessary.

21 PANEL ADJUSTMENTS



With the lead panel properly adjusted move on to the second panel. Separate the panels so you can see daylight through the glass between the stiles. Adjust the rollers on the second panel until the reveal is even. Repeat for additional panels.

22 STATIONARY PANEL INSTALLATION



STACKED DOORS ONLY

With all panel reveals even and the lead panel locking properly, the fixed panel can now be secured. Slide the panel tightly against the side jamb. Using 1/8" drill bit, drill four pilot holes through the frame using the clip holes as a guide. Secure the panel in place by fastening the head clip through the frame using four #10 x 2-1/2" Pan head screws (Type A).

Multi-Slide Patio Door Installation

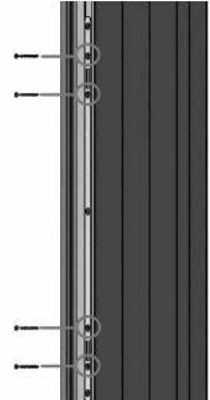
INSTALLING THE PANELS (CONTINUED)

23 INSTALLING THE HANDLE SET



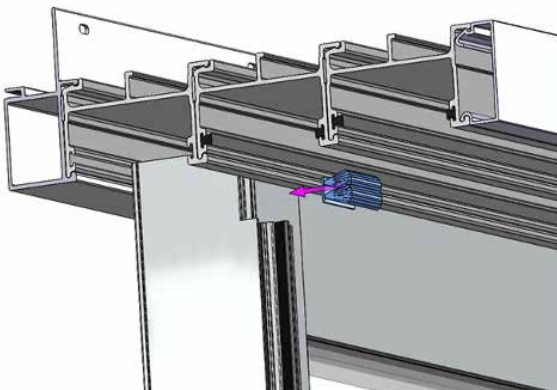
Install the flush mounted pull handle per the instruction included with the handle packaging. If panel does not lock properly, adjust lead panel for proper engagement.

24 STRIKE PLATE SECURITY SCREWS



For doors that lock into the jamb, the lock strike plate will need to have short screws replaced with longer ones for added security. Starting at the top replace screws 2, 3, 5 and 6 with a provided #8 x 2-1/2" flat head screw (Type D).

25 INTERLOCK WEATHERSTRIP PAD



With all door panels fully installed in the frame and rollers properly adjusted, install the interlock weatherstrip pad at the head jamb.

Peel off the backer of the adhesive pad and position the pad to fill the gap at the head jamb. Firmly push the pad in place using a screwdriver. Repeat process at each interlocking panel.

26 INSTALLING PANEL COLLECTORS



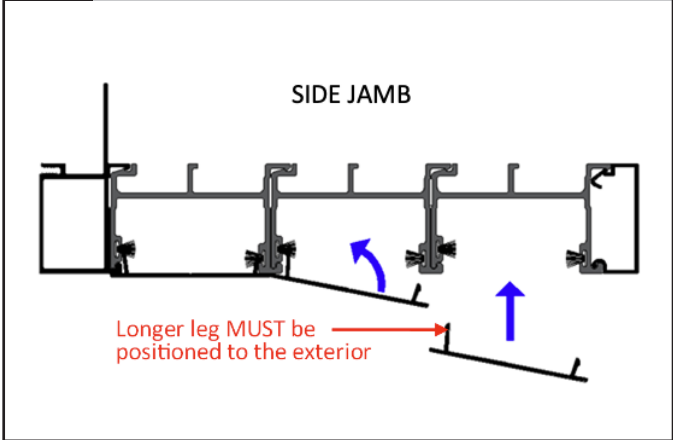
Doors with more than two panels in one direction come with a collector plate that collects all the panels while opening. The application of this plate is optional.

To Install, locate the plates 3-1/2" down from the top of the panel and 1/4" back from the edge, using provided four #8 x 1-1/4" (K) flat head screws. Do not apply a plate to the lead panel.

Multi-Slide Patio Door Installation

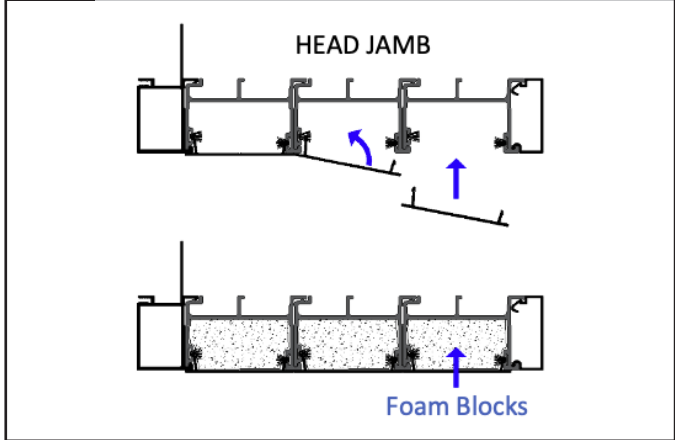
INSTALLING THE PANELS (CONTINUED)

27 INSTALLING EXTERIOR SIDE JAMB COVERS



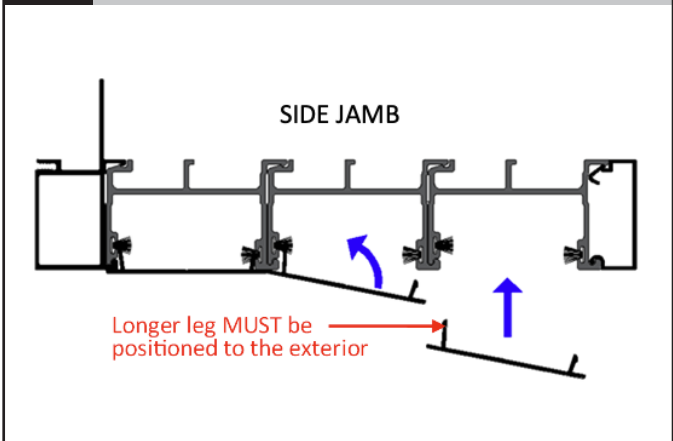
Install side jamb aluminum fillers into exterior frame. Check the lengths, if needed trim to fit. To install, position the filler into the frame cavity, lay a block of wood against filler and pound filler into place using a dead blow hammer. Be careful not to dent the covers.

28 INSTALLING HEAD JAMB COVERS



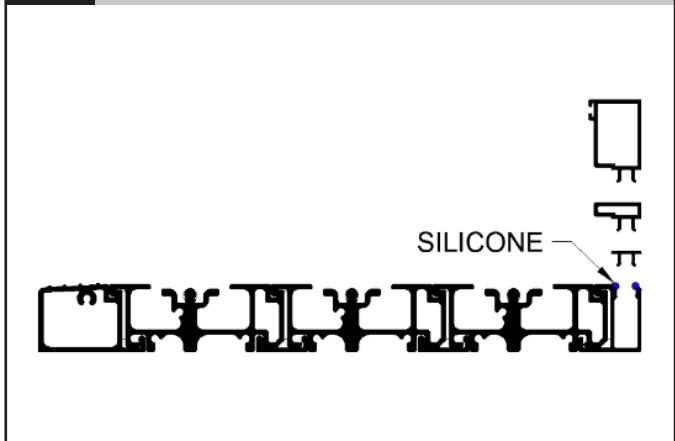
Install head jamb aluminum fillers into exterior frame. Check the lengths, if needed trim to fit. To install, position the filler into the frame cavity, lay a block of wood against filler and pound filler into place using a dead blow hammer. On the open ends, Insert the provided foam blocks.

29 INSTALLING INTERIOR SIDE JAMB COVERS



On stacked configurations, the side jamb with the stationary panel comes with aluminum fillers to conceal the pockets in the side jamb. To install, position the filler into the frame cavity, lay a block of wood against filler and pound filler into place using a dead blow hammer. Start with the track that is closest to the exterior and work to the interior.

30 INSTALLING SILL RISER

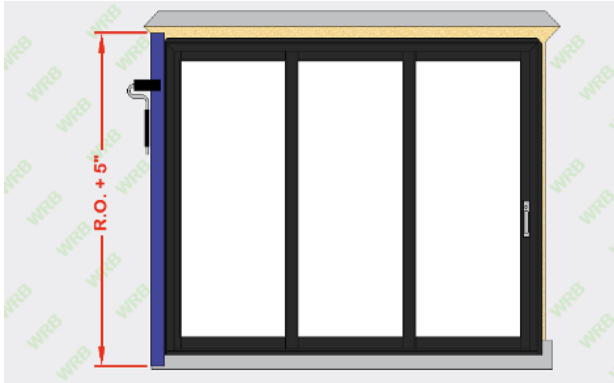


Apply silicone to the inside and outside leg of interior pocket in the sill. Add a line of silicone where the riser will butt against the wood side jamb on both sides. Snap sill riser into the sill.

Multi-Slide Patio Door Installation

INSTALLING THE PANELS (CONTINUED)

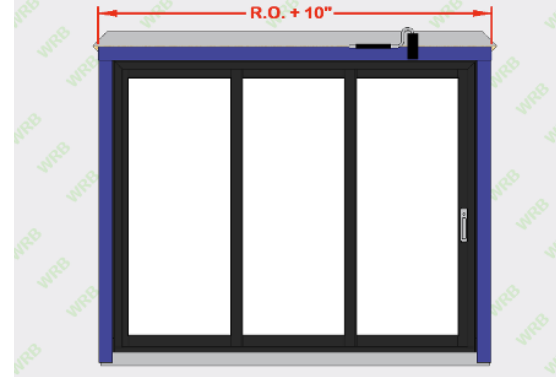
31 JAMB FLASHING



Cut two lengths of flashing tape equal to the rough opening jamb height plus 5”.

- Remove the backing of the tape and apply over the nailing fin and the Weather Resistant Barrier keeping centered on the jamb.
- Roll the tape smooth with a J-roller to eliminate bubbles and to promote adhesion.

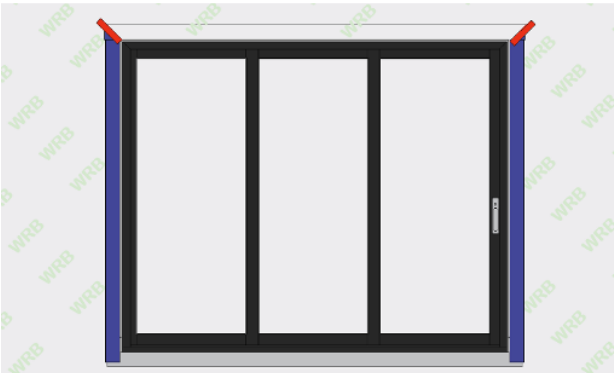
32 HEAD FLASHING



Cut two lengths of flashing tape equal to the rough opening jamb height plus 5”.

- Remove the backing of the tape and apply over the nailing fin and the Weather Resistant Barrier keeping centered on the jamb.
- Roll the tape smooth with a J-roller to eliminate bubbles and to promote adhesion.

33 HEAD FLASHING



Fold the head jamb WRB flap back over the head jamb flashing. Tape the diagonal seams with WRB tape or flashing tape.

34 INSULATING ROUGH OPENING



Insulate and seal the gap between the rough opening and the door frame using low-expansion polyurethane foam. If a sill pan is not being used, add a back dam of silicone to the sill rough opening gap and continue up the side 3”.

NOTE: Only fill the void half the depth of the jamb with foam to allow for expansion.