

Pivot Door Installation

WARRANTY

For applicable product warranty and arbitration information, please see product website.

IMPORTANT NOTICE

These instructions were developed and tested for use with wall systems designed to manage water. These instructions are not to be used with any other construction methods or window frame types. Installation instructions for use with other construction methods, building materials, and site conditions unique to your project may require an installation method different from these instructions and/or additional care. Determining the appropriate installation method is the responsibility of you, your architect, or construction professional. Additional preparation or anchoring may be required to comply with local building code requirements.

Please read entire instruction completely before beginning.

Site Preparation Instructions

Opening Prep is critical to a successful installation, so take extra time to prepare and verify the opening prior to assembly of the door.

Frame Assembly Instructions

Larger doors that will not fit on a truck will be shipped with the frames knocked down (KD). These frames will need to be assembled on site. Make sure you have adequate room to assemble the full door frame to the exterior of the opening.

All necessary parts and fasteners to assemble the KD frame are included in the hardware and component packs. Please review that all necessary parts are available before beginning the assembly.

Safety Alert Symbol Reference: These symbols are intended to alert you to potential injury hazards and information. Obey all safety messages.

COULD

Result in:



COULD

Result in:



COULD





Result in:






COULD

Result in:



 WARNING	 WARNING
Windows and doors can be extremely heavy. To avoid injury, use appropriate lifting techniques and an adequate number of people to carry and install the product. Mechanical lifting assistance may be needed for larger panels and glass. Failure to do so can result in injury or damage to product or property.	To ensure safety and security and help prevent property damage, including possible damage to you window or door, close and lock windows and doors any time they are not being used for venting on a nice day, and particularly during high winds or rain.
 WARNING	 WARNING
This product may contain chemicals known to the state of California to cause cancer, birth defects, or other reproductive harm. For more information go to www.P65Warnings.ca.gov	Doors and certain windows are glazed with safety glass (tempered or laminated). If broken, glass must be replaced with safety glass in accordance with state and federal laws.

Pivot Door Installation

 WARNING	 CAUTION
Special care must be taken with units with protective glass film applied. DO NOT remove protective film near flammable materials. Static charge created when removing the film can ignite flammable materials or cause a shock. DO NOT place suction grips over film seams. Suction grips will not hold if placed over film seam to lift heavy glass or panels.	Many windows and doors in older homes are painted with lead-based paint. Removal of old windows and doors may disturb this paint. Proper precautions must be taken to minimize exposure to dust and debris. Consult state or local authorities and/or go to www.epa.gov/lead for more information.
NOTICE	 CAUTION
Remove plastic wrap and protective packaging. Perform a complete unit inspection, checking for shipping damage, broken glass, or other physical damage.	Always wear appropriate gloves and eye protection for all procedures. Follow manufacturers' instructions for hand and power tools.
NOTICE	
<p>Vinyl, aluminum, steel, and fiberglass may be cleaned with mild soap and water. Hard to remove stains and mineral deposits may be removed with mineral spirits. Factory-applied painted surfaces can be cleaned with mild household detergents and water. Remove any protective film and labels prior to cleaning the glass using a soft, clean, grit-free cloth and mild soap or detergent.</p> <ul style="list-style-type: none"> • Do NOT clean any surface with gasoline, diesel fuel, solvent-based, or petroleum based products. • Do NOT use abrasive materials or strongly acidic solutions against vinyl, aluminum, glass, steel, fiberglass, or factory-applied finishes • Do NOT scrape or use tools that might damage the surface. • Do NOT paint vinyl or aluminum surfaces • Do NOT paint or stain the weatherstrip • Do NOT use mastic tapes such as Duct Tape <p>Note: If masking tape is used on any surface to aid in painting or staining, remove tape as soon as possible after use. Tape must be removed within 24 hours of application. For long term use such as stucco applications, use tape that will release even when exposed to high temperatures for an extended period.</p>	

TOOLS AND MATERIALS NEEDED




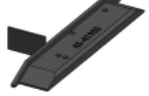
Tools:

- Measuring tape
- Level (laser level works better for larger openings)
- Speed Square
- Rubber hammer
- Power driver
- Power drill
- 3/16" Drill Bit
- J-roller
- Caulk gun
- Glass suction cups (heavy load)
- Pry bar

Installation Materials (not included)

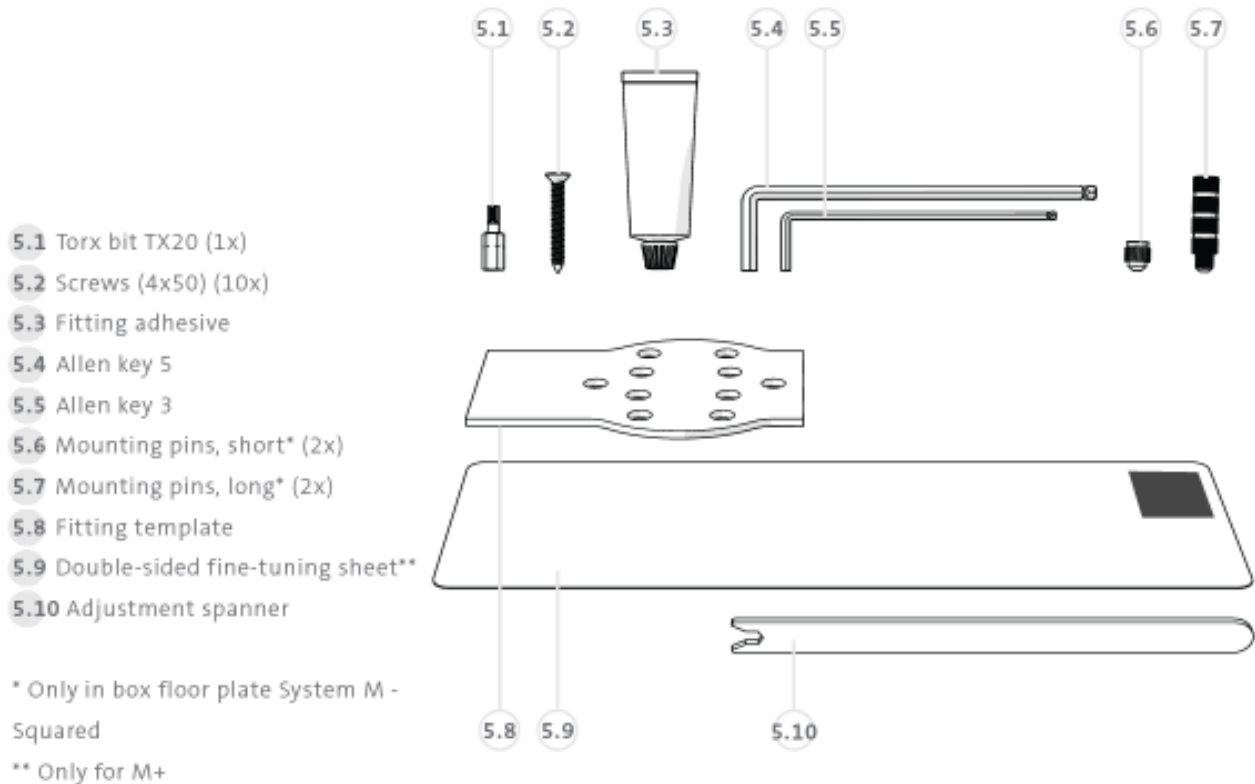
- 4" Flashing tape
- Flexible corner flashing tape or preformed sill pan
- #8 x 2" flat head screws
- High quality sealant
- Shims (moisture-proof)
- Low-expanding foam
- Backer Rod
- Isopropyl alcohol (clean up)

Pivot Door Installation

INCLUDED PARTS - Hardware Packs		
 <p>A Qty. (6) #8 x 1" PH Pan Hd Part #971077 Head Jamb to Side Jamb</p>	 <p>B Qty. (6) #8 x 1" PH Pan HdA Part #971077 ADA Sill to Side Jamb</p>	 <p>C Qty. (1) Tube Part #1318729 Black Silicone Sealant</p>
<p>D Qty. (1) Fritzjurgens Milling and Mounting Kit Part # TBD</p>	 <p>E Qty. (2) Left and Right ADA Sill End Caps Part # TBD</p>	

^A Included with ADA sill doors only
^B Included with no-sill doors only

MILLING AND MOUNTING KIT



Pivot Door Installation

INCLUDED PARTS - KD Frame Components

Head Jamb



Pivot Jamb



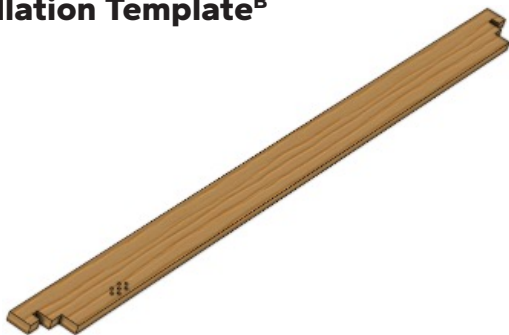
Lock Jamb



ADA Sill^A



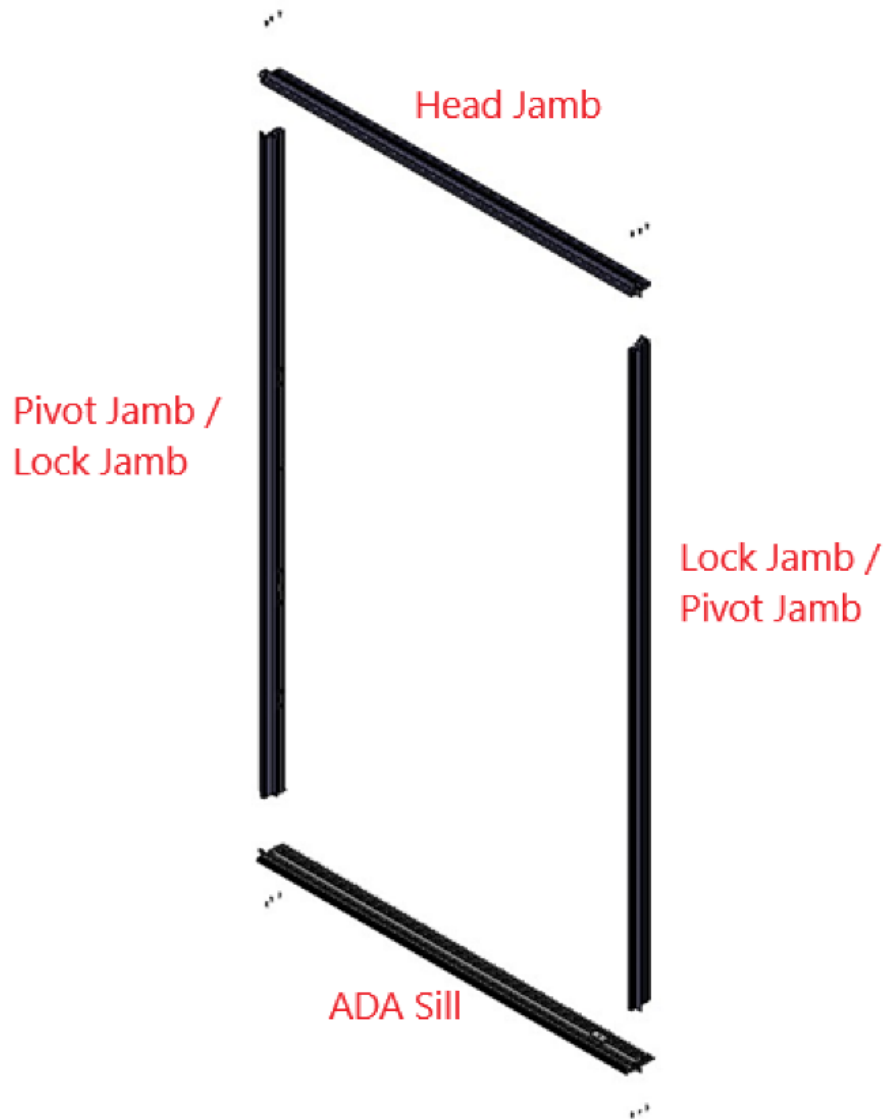
Installation Template^B



^A Included with ADA sill doors only
^B Included with no-sill doors only

Pivot Door Installation

EXPLODED VIEW PARTS PLACEMENT



All necessary parts and fasteners to assemble the KD frame are included in the hardware and component packs. Please review that all necessary parts are available before beginning the assembly.

NOTICE If your door system includes sidelights, refer to the Sidelights Mulling instruction at the end of this guide.

Pivot Door Installation

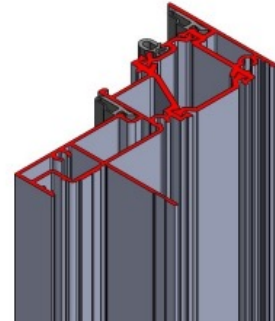
KD FRAME ASSEMBLY INSTRUCTIONS – PIVOT DOOR FRAME

1 PREPARATION OF FRAME PARTS



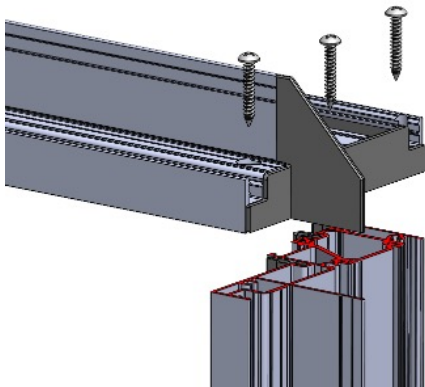
Lay parts out on the ground exterior side down. Use cardboard or other padding to protect them from damage. The final assembled frame will need to be tipped up and placed in the opening. Orienting the door sill nearest the opening will allow for easy placement during this step.

2 JAMB TO HEAD ATTACHMENT



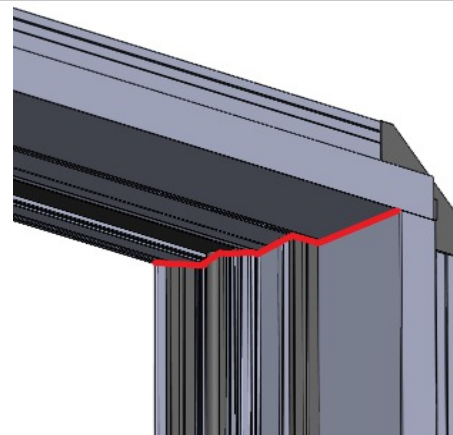
Starting with the assembly of the side jamba to the head jamb. Add silicone to the top sides of both the side jamba. Completely cover the walls of the jamba with silicone and add silicone generously.

3 JAMB TO HEAD ATTACHMENT



Align the head jamb on the top of the side jamb and attach the head jamb to the side jamb with the #8 x 1" pan head screws provided.

4 JAMB TO HEAD ATTACHMENT

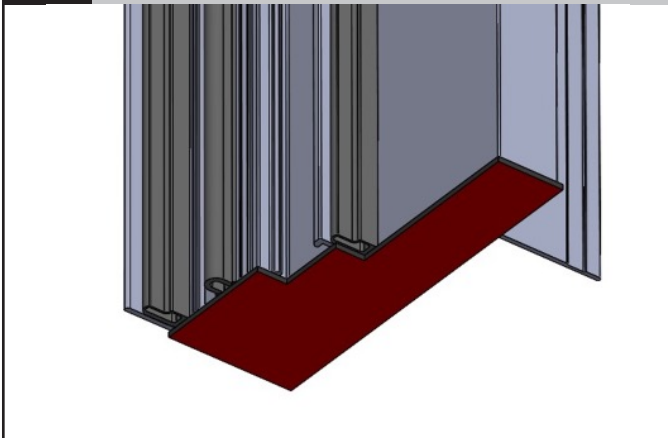


Align the head jamb on the top of the side jamb and attach the head jamb to the side jamb with the #8 x 1" pan head screws provided.

Pivot Door Installation

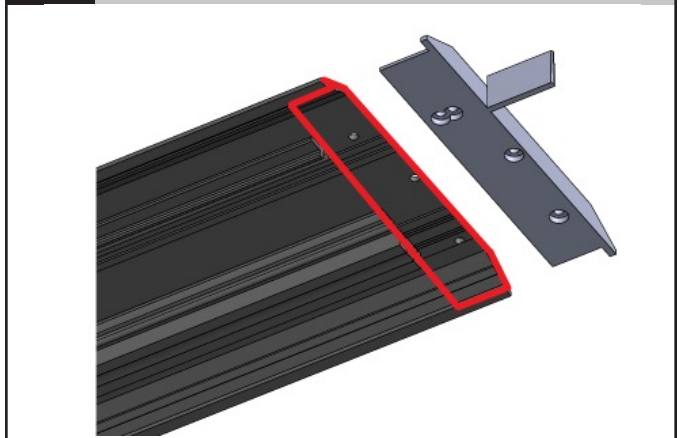
KD FRAME ASSEMBLY INSTRUCTIONS – PIVOT DOOR FRAME (continued)

5 JAMB TO SILL ATTACHMENT



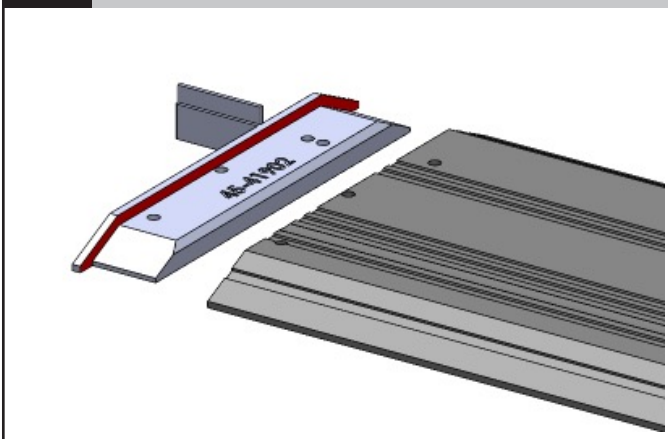
Apply silicone to the side jamb gaskets covering the entire face of the gaskets.

6 JAMB TO SILL ATTACHMENT



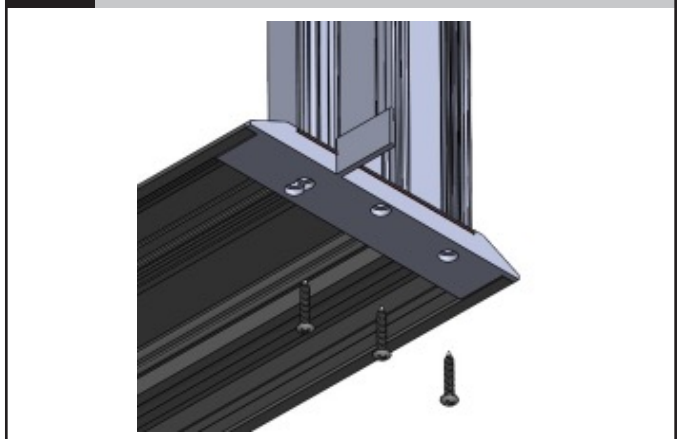
On the underside of the ADA sill, add silicone on the machined ends. Also add silicone to the end faces of the sill.

7 JAMB TO SILL ATTACHMENT



Add silicone on the flange of the end cap and slide the end cap and attach to the end of the sill.

8 JAMB TO SILL ATTACHMENT

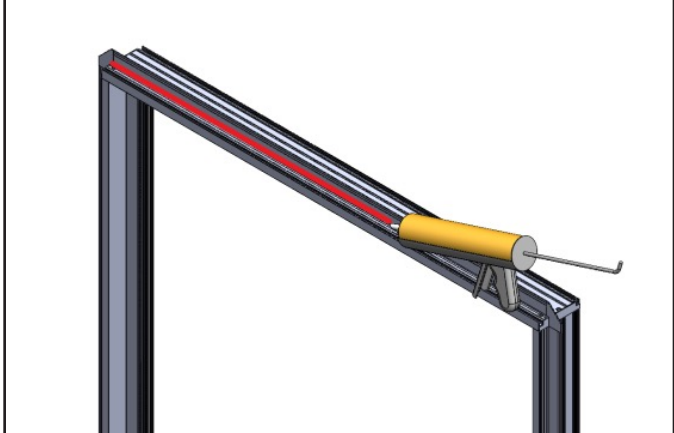


Align the ADA sill to the bottom of the side jamb. Attach the ADA sill to the side jamb with the #8 x 1" pan head screws provided. Make sure the joint is properly sealed and clean up the excess silicone.

Pivot Door Installation

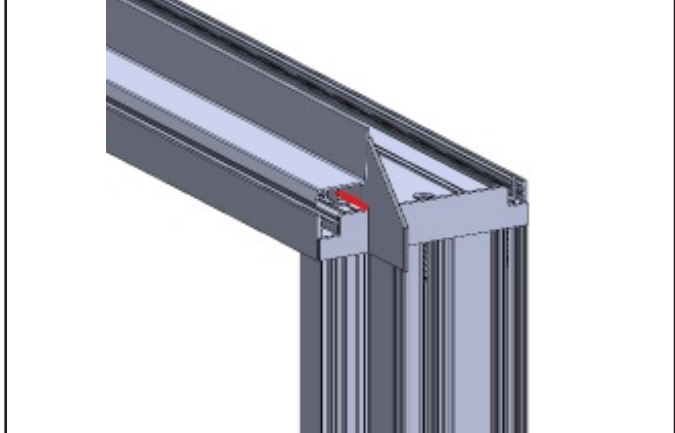
KD FRAME ASSEMBLY INSTRUCTIONS – PIVOT DOOR FRAME (continued)

9 DRIP CAP INSTALLATION



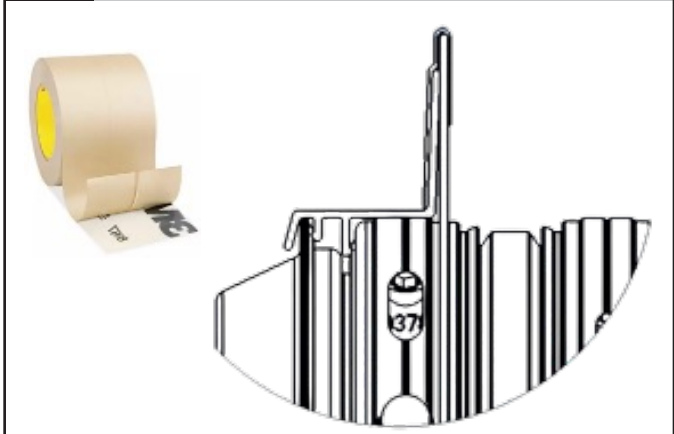
A continuous aluminum drip cap will be provided as frame kit. This part should be the same width as the door (minus the nailing fins). To install, apply a continuous 3/8" bead of silicone using the corner of the nail fin to jamb as a guide.

10 DRIP CAP INSTALLATION



Place the drip cap into place flush with the edge of the jamb. Push the barb legs of the extrusion into the accessory channel of the frame. Using a wood block and a hammer, gently tap the drip cap into place.

11 DRIP CAP FLASHING



Using the provided self-adhesive flashing tape, wrap the flashing tape over the drip cap and nailing fin to completely seal the seam of the drip cap and nailing fin.

12 DRIP CAP INSTALLATION



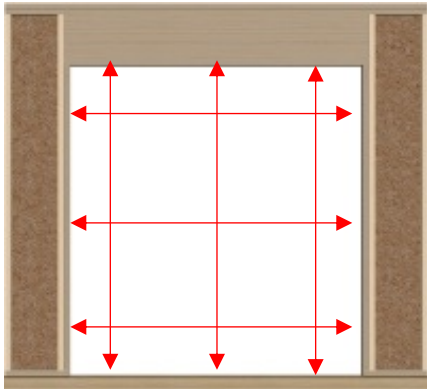
With the drip cap in place predrill holes for installation fasteners. Using 3/16" bit drill holes through the drip cap and the nailing fin (approximately 1/2" from top of fin). Place holes 4" from each end and spaced every 4"-8" on center.

Pivot Door Installation

SETTING AND FASTENING THE FRAME IN THE OPENING


For proper water management it is recommended that all doors be installed with a sill pan in accordance with ASTM E2112. The Type I, Rigid Sheet option is recommended for best results. Before installing the frame into the wall, make sure the steps outlined in the Site Preparation guide are fully completed.

1 VERIFICATION OF OPENING



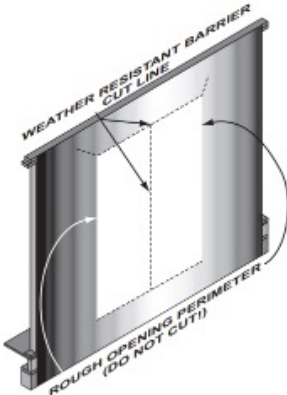
Make sure the door will fit in the rough opening. Measure the opening width and height in three separate places to ensure the framing is not bowed. Opening size should be 3/4" larger in width and 1/2" larger in height than the door frame.

2 VERIFICATION OF OPENING



Verify the opening is plumb, level, and square. Make sure the sill area is free from debris.


3 CUTTING WEATHER RESISTANT BARRIER



EXTERIOR

Cut the house wrap in an "I" pattern, horizontally along the opening head and sill, and down the center. Make two cuts diagonally from each top corner, 6" minimum.

4 ROUGH OPENING VERIFICATION



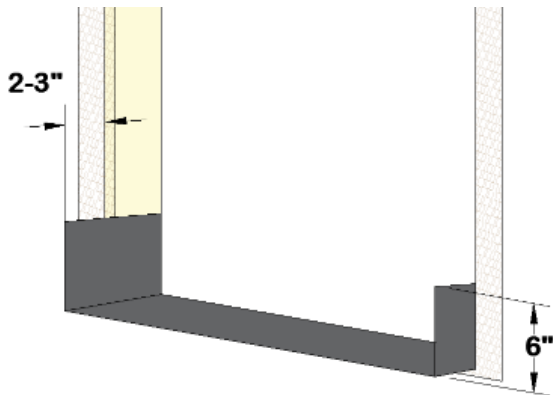
EXTERIOR

Fold the top flap up and temporarily secure it above the opening. Fold the wrap in at each side and secure to the interior of the wall studs. Remove excess, if desired.

Pivot Door Installation

SETTING AND FASTENING THE FRAME IN THE OPENING (continued)

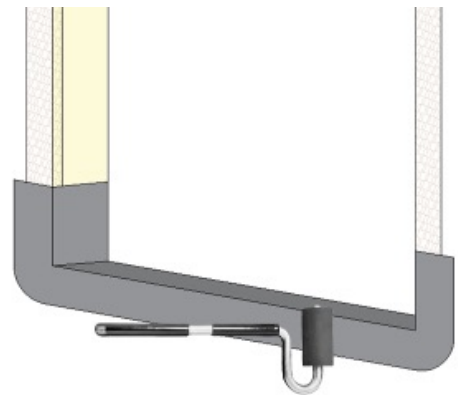
5 APPLY SILL FLASHING



EXTERIOR

Cut flexible sill flashing material so it is long enough to extend up a minimum of 6" up each side jamb (R.O. + 12" min.).

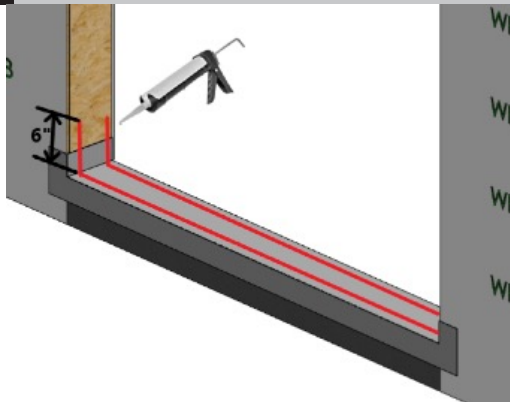
6 APPLY SILL FLASHING



EXTERIOR

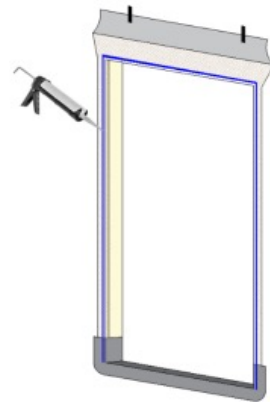
Pull the backing from the flashing and apply to the sill allowing the flashing to extend up the side jambs 6". Fold the flashing over the sheathing and WRB. Roll smooth with J-roller to remove air pockets and promote adhesion.

7 APPLY SEALANT TO THE SILL FLASHING



Apply a continuous 3/8" bead of sealant in line with the innermost part of the door sill and continue up the jamb 6". For the outermost part of the sill apply sealant the full width of the door leaving 2" gaps approximately every two feet. Continue the bead 6" up the jamb on each side.

8 APPLY SEALANT TO FRAMING



INTERIOR

Apply a continuous 3/8" bead of sealant directly to the sheathing along both side jambs and across the head. Make sure the sealant bead is aligned where it will make full contact with the nailing fin.

Pivot Door Installation

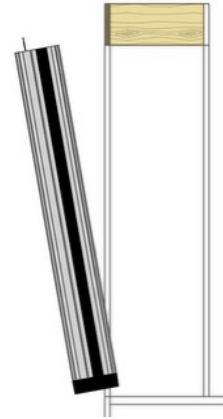
SETTING AND FASTENING THE FRAME IN THE OPENING (continued)

9 APPLY SEALANT TO THE ADA SILL



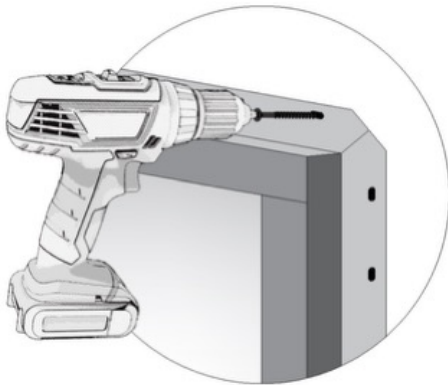
Apply a continuous 3/8" beads of sealant on the bottom side of the flat surfaces of the ADA sill.

10 INSERT THE DOOR IN THE OPENING



Immediately after applying sealant, lift and center door in the opening from the exterior setting the sill in first and tipping the door into place.

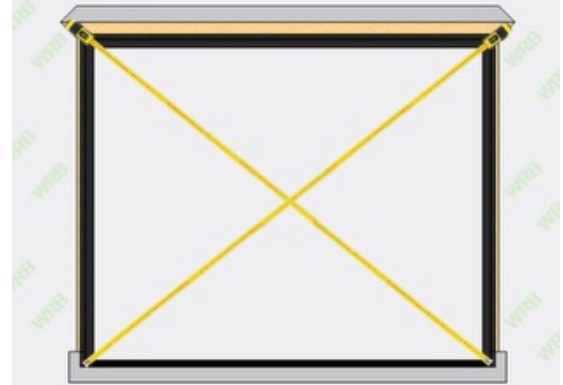
11 TEMPORARILY SECURE FRAME



EXTERIOR

Secure one side top corner with either a rust-proof roofing nail or a #8 steel screw. Fasteners must be long enough to penetrate the framing material by at least 1-1/2".

12 SQUARE THE FRAME



EXTERIOR

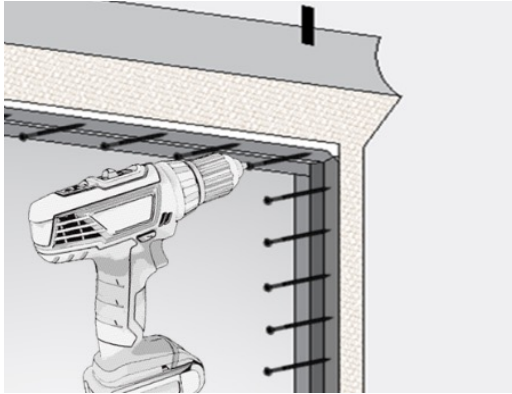
Make sure the frame is square by taking diagonal measurements. Shim frame as needed until diagonal measurements are within 1/8"

NOTICE Improper placement of shims may result in bowing the jambs.

Pivot Door Installation

SETTING AND FASTENING THE FRAME IN THE OPENING (continued)

13 SECURE THE DOOR FRAME



EXTERIOR

When the door is plumb, level, and square, continue fastening through the nailing fin holes. Place fasteners 4" from each corner and spaced every 4"- 8" on center.

14 JAMB FLASHING



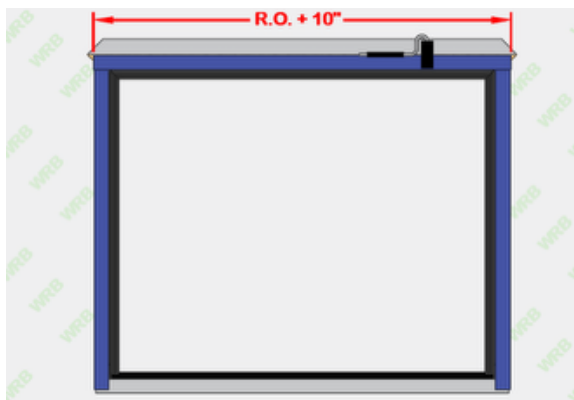
EXTERIOR

Cut two lengths of flashing tape equal to the rough opening jamb height plus 5".

- Remove the backing of the tape and apply over the nailing fin and the Weather Resistant Barrier keeping centered on the jamb.
- Roll the tape smooth with a J-roller to eliminate bubbles and to promote adhesion.

Repeat for the opposite jamb.

15 HEAD FLASHING



EXTERIOR

- Cut one length of flashing tape equal to the rough opening jamb width plus 10".
- Remove the backing of the tape and apply over the nailing fin and the Weather Resistant Barrier keeping centered on the jamb.

16 HEAD FLASHING



EXTERIOR

Fold the head jamb WRB flap back over the head jamb flashing. Tape the diagonal seams with WRB tape or flashing tape.

NOTICE Roll all flashing smooth with J-roller to remove air pockets and promote adhesion.

Pivot Door Installation

SETTING AND FASTENING THE FRAME IN THE OPENING (continued)

17 INSULATING ROUGH OPENING



NOTE: Make sure to use a brand that is recommended for doors and windows or indicates AAMA 812.

Insulate and seal the gap between the rough opening and the door frame using low-expansion polyurethane foam.

NOTE: Only fill the void half the depth of the jamb with foam to allow for expansion.

ADA SILL AND FLOOR PLATE MOUNT

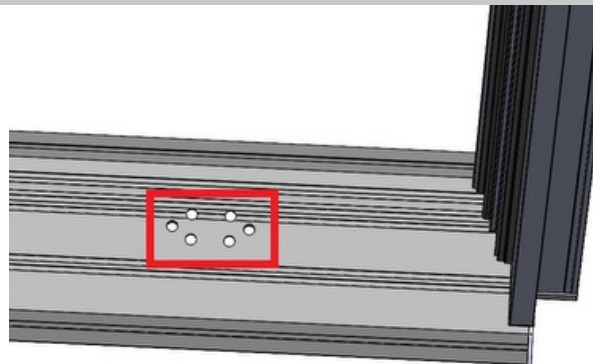
ATTENTION

For doors where the panels are shipped loose follow the procedures below to install the panels into the frame.

WARNING

To avoid injury, use appropriate lifting techniques and adequate number of people to install panels. Larger panels may require mechanical lifting assistance.

1 SEAL THE EXTERIOR



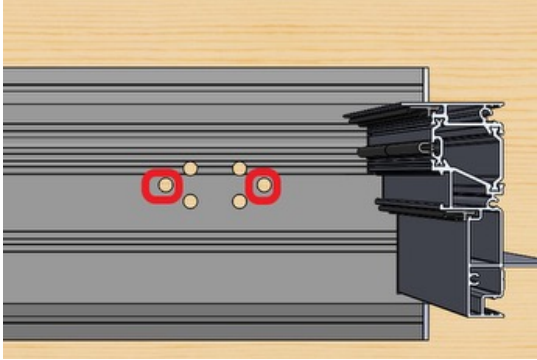
EXTERIOR

ADA Sill comes with holes for mounting the floor plate. 6 holes are pre-drilled on the ADA sill. These will help locate the floor plate precisely.

Pivot Door Installation

ADA SILL AND FLOOR PLATE MOUNT (continued)

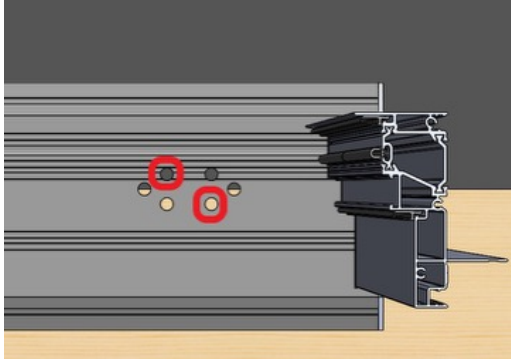
2 FLOOR PLATE HOLES



EXTERIOR

Depending on the type of the floor, holes need to be drilled through the sill into the floor for the mounting pins. If the floor material is the same through the depth of the door, from the interior side to the exterior side of the door, the end holes need to be drilled.

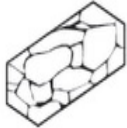


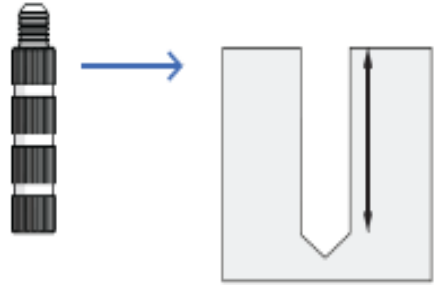
3 FLOOR PLATE HOLES



EXTERIOR

If there are two different floor types, with the seam directly through the end holes, then drill the circled alternate holes so there will be one pin each on the different floor type.

4 FLOOR PLATE HOLES

<p>STONE</p>  <p>Ø8 mm (5/16 ")</p>	<p>STEEL</p>  <p>Ø8 mm (5/16 ")</p>	<p>WOOD</p>  <p>Ø7.5 mm (19/64 ")</p>	 <p>30 mm (1 3/16 ")</p>
---	---	---	--

Depending on the type of material of the floor, the diameters of the holes in the opening will vary. For Stone / Tile / Concrete, drill 5/16" holes. For wood floor, drill 19/64" hole.

The depth of the holes needs to be 1- 3/16" from the top of the sill.

Pivot Door Installation

ADA SILL AND FLOOR PLATE MOUNT (continued)

5 FLOOR PLATE PINS



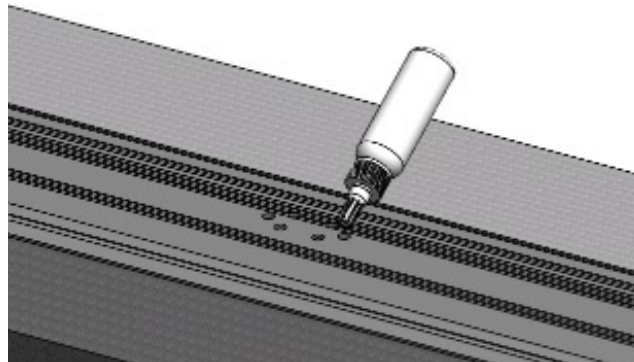
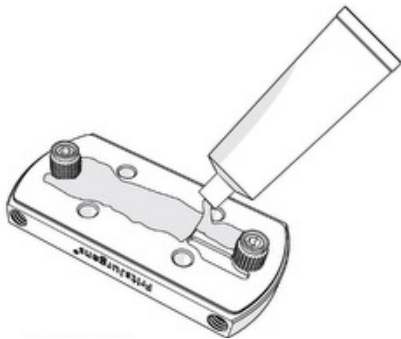
SINGLE FLOOR TYPE



MULTI FLOOR TYPE

Depending on the floor type, determine the pin configuration needed. Use the 3mm Allen key provided to unmount the pre-installed pins and install them in the required configuration.

6 FLOOR PLATE PIN GLUE



Fill the glue chambers in the floor plate with glue and apply a 1mm layer of glue in between the chambers. Add glue in the holes of the floor and to the pins attached to the floor plate.

7 ATTACH FLOOR PLATE



Using a rubber mallet, attach the floor plate through the sill into the floor.

Pivot Door Installation

NO ALUMINUM SILL VERSION

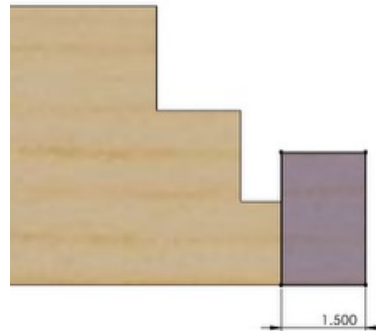
1 WOOD TEMPLATE INSTALL



EXTERIOR

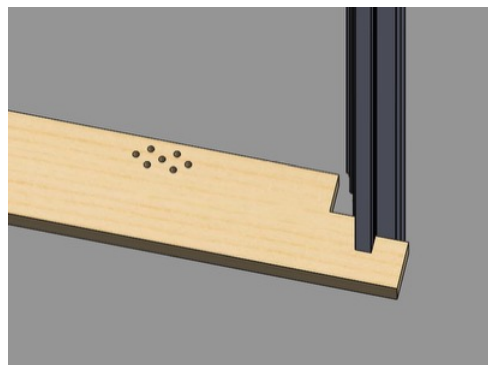
A wood template is provided along with the door which will help to install the bottom floor plate accurately. The holes in the template are located to the pivot location requested and should be used to accurately locate the floor plate location.

2 ATTACH THE WOOD TEMPLATE TO THE FRAME



Once the frame is put into the opening, push both the ends of the template tight against the jamb from the exterior. If there are muller units attached to the frame, trim 1.5" from the end of the wood template.

3 DRILL HOLES USING THE TEMPLATE

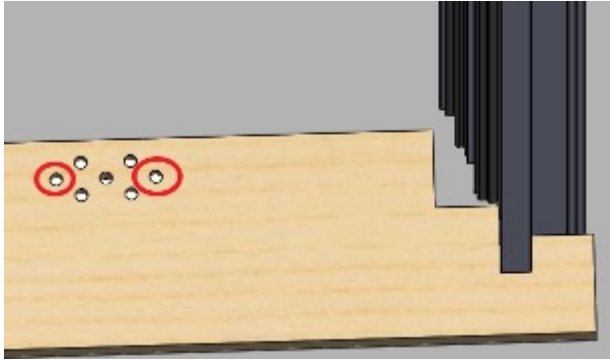


After placing the template tight to the jambs, the holes in the template will help locate the pivot floor plate. Please adjust the frame as needed so the template is tight against the frame.

Pivot Door Installation

NO ALUMINUM SILL VERSION (continued)

4 FLOOR PLATE HOLES

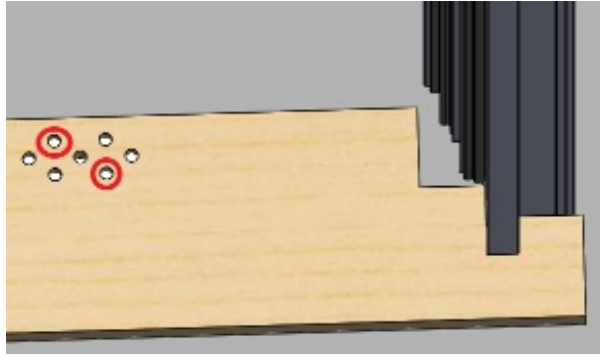


EXTERIOR

Depending on the type of the floor, holes need to be drilled through the sill into the floor for the mounting pins.

If the floor material is the same through the depth of the door, from the interior side to the exterior side of the door, the end holes need to be drilled.




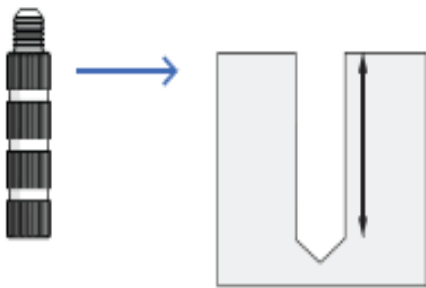
5 FLOOR PLATE HOLES



EXTERIOR

If there are two different floor types, with the seam directly through the end holes, then drill the circled alternate holes so there will be one pin each on the different floor type.

6 ATTACH FLOOR PLATE

<p>STONE</p>  <p>Ø8 mm (5/16 ")</p>	<p>STEEL</p>  <p>Ø8 mm (5/16 ")</p>	<p>WOOD</p>  <p>Ø7.5 mm (19/64 ")</p>	 <p>30 mm (1 3/16 ")</p>
---	---	---	--

Depending on the type of material of the floor, the diameters of the holes in the opening will vary. For Stone / Tile / Concrete, drill 5/16" holes. For wood floor, drill 19/64" hole. The depth of the holes needs to be 1- 3/16" from the top of the sill. Once the holes are drilled, the template can be removed.

Pivot Door Installation

NO ALUMINUM SILL VERSION (continued)

7 FLOOR PLATE PINS



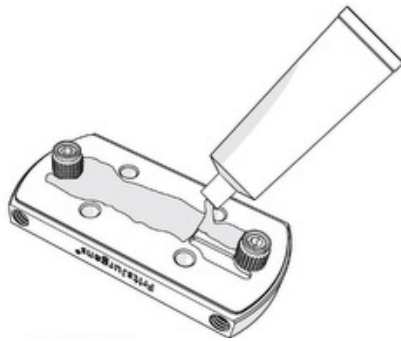
SINGLE FLOOR TYPE



MULTI FLOOR TYPE

Depending on the floor type, determine the pin configuration needed. Use the 3mm Allen key provided to unmount the pre-installed pins and install them in the required configuration.

8 FLOOR PLATE PIN GLUE



Fill the glue chambers in the floor plate with glue and apply a 1mm layer of glue in between the chambers. Add glue in the holes of the floor and to the pins attached to the floor plate.

9 ATTACH FLOOR PLATE

Using a rubber mallet, secure the floor plate to the opening sill. Allow adequate time for the glue to cure, before continuing to pivot door install.

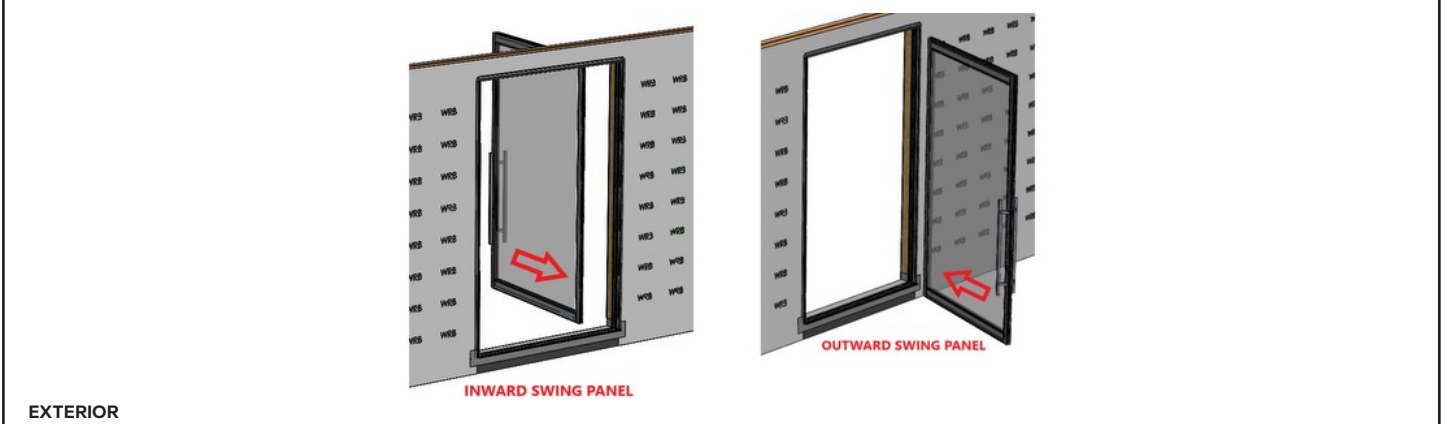
Pivot Door Installation

INSTALLING THE PANEL

ATTENTION	 WARNING
------------------	--

For doors where the panels are shipped loose follow the procedures below to install the panels into the frame.	To avoid injury, use appropriate lifting techniques and adequate number of people to install panels. Larger panels may require mechanical lifting assistance.
--	---

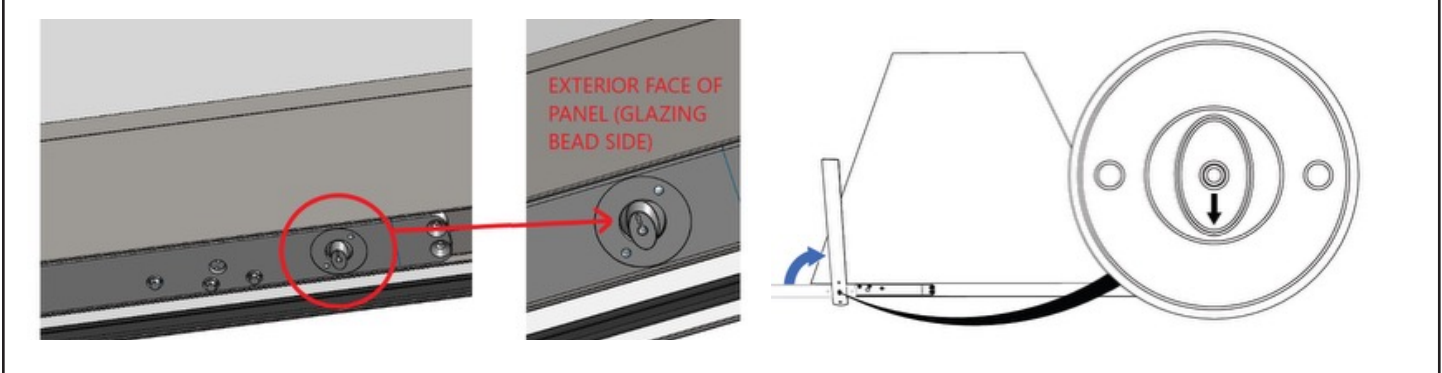
1 PANEL INSTALL



EXTERIOR

Inward swinging panel will need to be installed from the interior of the opening. Outward swinging panel will need to be installed from the exterior of the opening.

2 BOTTOM PIVOT VERIFICATION



Before the panel is installed into the opening, the bottom pivot hardware spindle needs to be verified and adjusted if needed. The bottom pivot spindle is set in the factory as shown below. If they are not in this position, using the wrench adjust the spindle to the location as shown below. For an outward swinging door, the arrow must be pointing towards the interior of the panel (away from the glazing bead side).

Pivot Door Installation

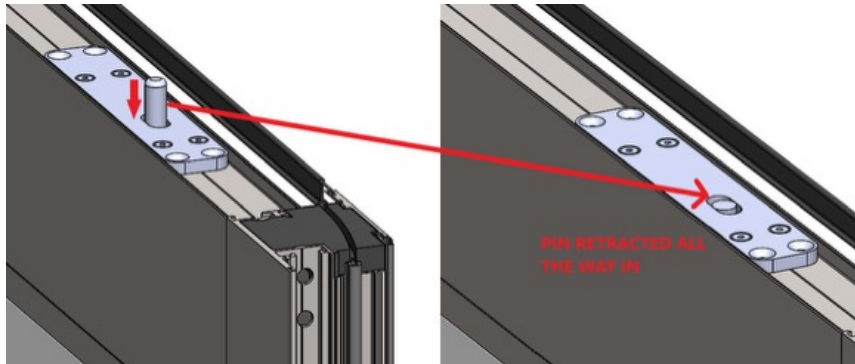
INSTALLING THE PANEL (continued)

3 BOTTOM PIVOT ADJUSTMENT



If the pivot pin is not perpendicular to the panel, it needs to be adjusted with the wrench.

4 TOP PIVOT PIN VERIFICATION



Verify and make sure the top pivot pin is retracted before installing the panel into the opening. If the top pivot pin is not retracted, the pivot pin will hit the frame and can damage the frame.

5 TOP PIVOT PIN LOCATION



Add tape on the surface of the panel on the interior and exterior near the top pivot pin. This will help while aligning the panel during the install.

Pivot Door Installation

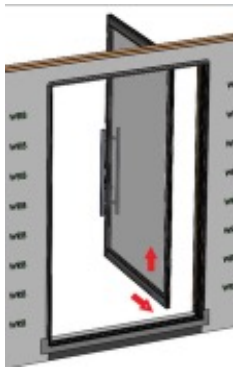
INSTALLING THE PANEL (continued)

6 TOP PIVOT PIN LOCATION



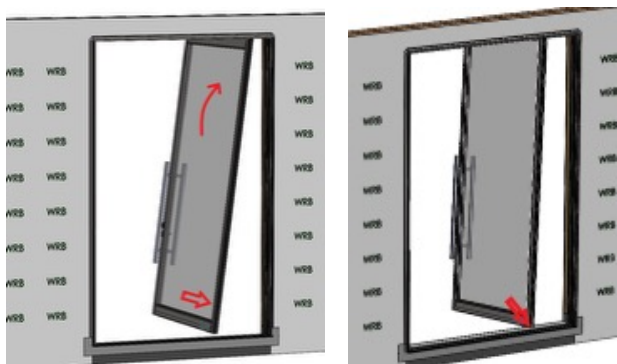
Add tape on the surface of the panel on the interior and exterior near the top pivot pin. This will help while aligning the panel during the install.

7 PANEL INSTALL



Lift the panel and align the panel perpendicular to the frame in the opening. In-Swing panels need to be installed from the interior side of the door. Out-Swing panel needs to be installed from the exterior side.

8 PANEL INSTALL



With the panel lifted, bring the pivot side of the panel into the frame. Slightly tilt the panel towards the interior side of the panel, move the panel into the frame, and set the bottom pivot pin into the floor plate.

Pivot Door Installation

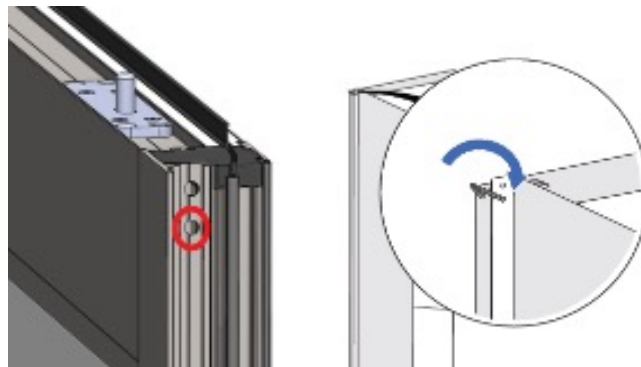
INSTALLING THE PANEL (continued)

9 PANEL INSTALL



With the panel lifted, bring the pivot side of the panel into the frame. Slightly tilt the panel towards the interior side of the panel, move the panel into the frame, and set the bottom pivot pin into the floor plate.

10 TOP PIVOT PIN

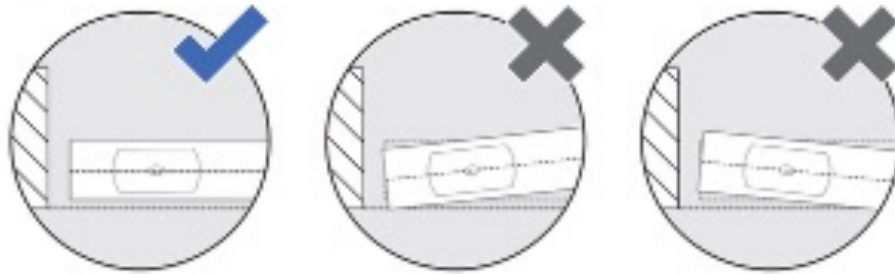


Once the panel is vertical and the top pivot pin aligned with the ceiling plate, extend the top pivot pin into the ceiling plate. Using the 5mm Hex Key provided, the top pivot pin needs to be extended. On the pivot side of the panel, there are two holes for the top pivot adjustment. The bottom adjustment pin needs to be used to extend the top pivot pin. Eight full turns are needed to completely extend the top pivot pin.

Pivot Door Installation

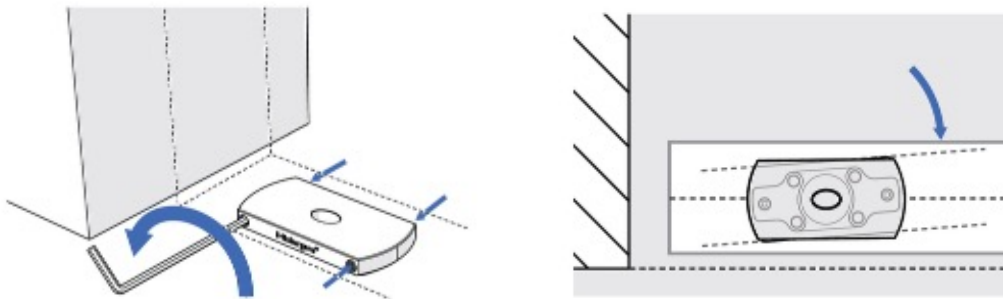
INSTALLING THE PANEL (continued)

11 RADIAL ALIGNMENT



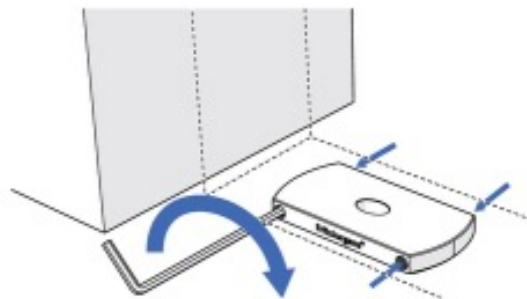
Check the radial alignment of the panel.

12 RADIAL ALIGNMENT



If the door is not properly aligned, unlock the floor plate with the Allen key. Rotate the floor plate until the door is aligned parallel to the wall.

13 RADIAL ALIGNMENT

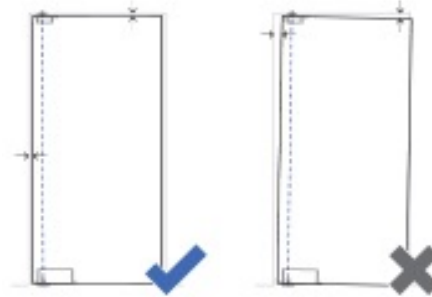


After adjusting the panel, lock the floor plate.

Pivot Door Installation

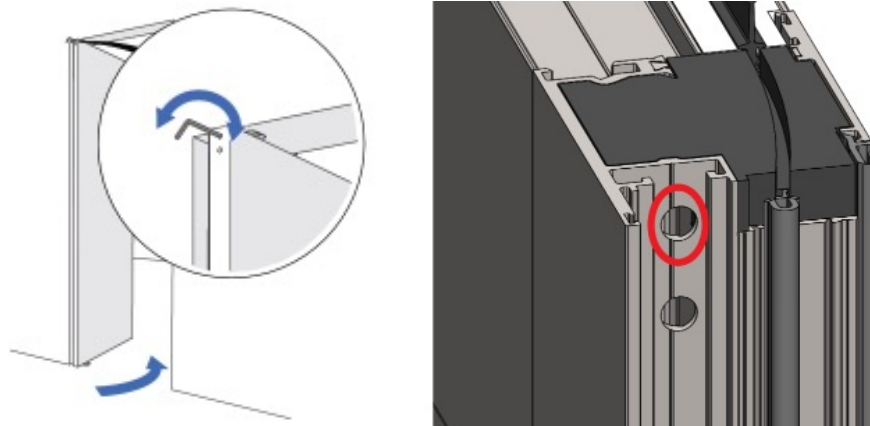
FINE TUNING ORIENTATION OF THE PANEL

14 ORIENTATION OF THE PANEL



Check if the panel is aligned parallel to the ceiling and the wall.

15 ORIENTATION OF THE PANEL



If the panel is not aligned properly, open the panel and using the 5mm Allen key or the hexagon guide, adjust the door panel until the door is aligned parallel to the ceiling and the wall. Use the top hole on the end of the panel to adjust the panel.

NOTE: Make sure the panel is adjusted using the top hole and the top pivot pin is adjusted. The bottom hole is to retract the top pivot pin, so if it is adjusted, the panel might fall off. Unless the panel needs to be taken off from the frame, do not adjust the bottom pin.

Pivot Door Installation

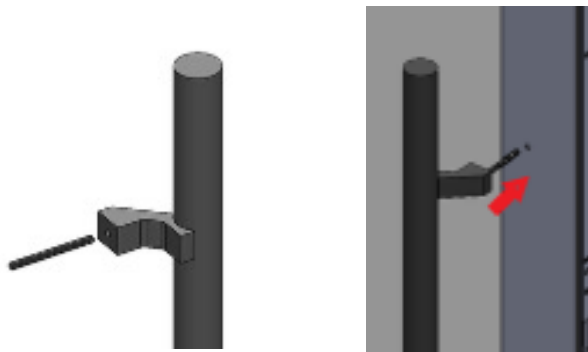
PULL HANDLE INSTALL

1 SET SCREW



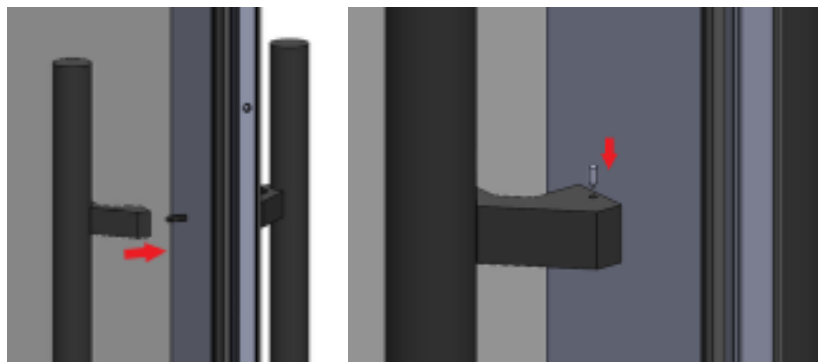
Remove the screw from the threaded bolt.

2 EXTERIOR HANDLE



Attached the threaded rod to the exterior handle. Add the pull handle with the threaded rod to the exterior side of the panel with the threaded rod going through the hole in the stile.

3 INTERIOR HANDLE



Attach the interior handle to the threaded rod and add the set screws and tighten it from the top and bottom.

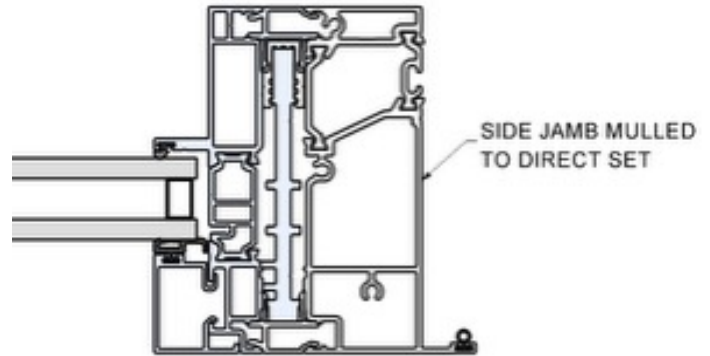
NOTE: DO NOT USE THE PULL HANDLE TO LIFT THE PANEL.

Pivot Door Installation

SIDELIGHT MULLING

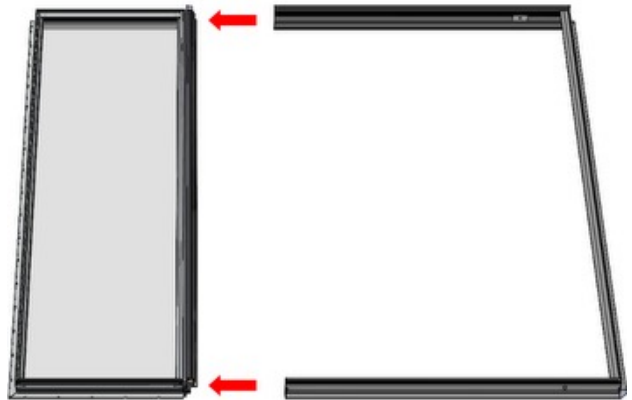
1 PARTIAL FACTORY ASSEMBLY

- To make the assembly easy, the side jamb of the pivot door will be attached (mulled) to the sidelight.
- The mullion assembly will include the structural reinforcement.



2 SINGLE SIDELIGHT – FRAME ASSEMBLY

- Please refer to the KD Frame Assembly Instructions at the beginning of this guide (steps 1-8) to understand the Frame corner assembly process.
- Assemble the remaining three side of the pivot door frame following steps 1-8 at the beginning of this guide.
- With the three sides assembled, the door head and sill can be attached to the jamb side lite assembly.
- Be sure to follow the sealing details at the beginning of this guide (steps 1-8).



3 DOUBLE SIDELIGHT – FRAME ASSEMBLY

- Please refer to the KD Frame Assembly Instructions at the beginning of this guide (steps 1-8) to understand the Frame corner assembly process.
- Attach the head jamb to the side jambs following steps 1-8 at the beginning of this guide.
- Attach the sill following steps 1-8 at the beginning of this guide.

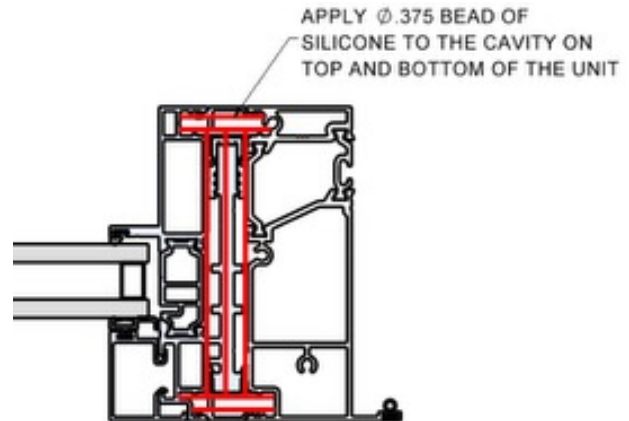


Pivot Door Installation

SIDELIGHT MULLING (continued)

4 SEALING THE MULLION CAVITY

- The head and sill ends of the mullion need to be sealed to prevent water intrusion.
- Apply a generous amount of silicone using a 3/8" bead, filling all voids of the mullion connection at the head and sill.



5 SEALING THE NAILING FIN JOINT

- If the frames are equipped with nailing fins, the gap between the head nailing fins will need to be sealed.
- Using the provided 3" x 3" self-adhering flashing tape, evenly cover the joint between the nail fins folding the tape 1/2" on to the frame. Press the tape firmly against the exterior wall of the fin and remove any gaps or air pockets.
- Fold the tape over the back of the nailing fin.



6 DRIP CAP APPLICATION

- A continuous aluminum drip cap will be provided as part of the field mulling kit. To install, apply a continuous 3/8" bead of silicone using the corner of nail fin to jamb as a guide.
- Center the drip cap at the head of the frames. Push the barb legs of the extrusion into the accessory channel of the frame. Using a wood block and a hammer, gently tap the drip cap into the place.
- Once the frame is assembled, please follow the Pivot Door Panel installation process.

