



PELLA TRADITIONAL TRIM INSTALLATION INSTRUCTION

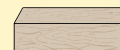
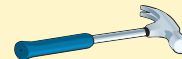
TOOLS REQUIRED:

- Pella® SmartFlash™ foil backed butyl window and door flashing tape or equivalent



TOOLS REQUIRED:

- Hammer or Rubber Mallet
- Block of Wood



Pella Traditional Trim is an aluminum trim option that is intended to be used only as window trim. It is not a seal against air or water infiltration nor can it be used for installation of a Pella Clad unit. Your Pella Clad unit must be installed in typical wood frame wall construction in a wall system designed to manage water, using standard installation fins as described in the appropriate installation instruction. Pella Traditional Trim must be installed prior to the installation of the building's siding or exterior wall cladding.

1 PELLA TRADITIONAL TRIM INSTALLATION:

- A. **Raise the assembled frame to position it** into place on the exterior of the frame.



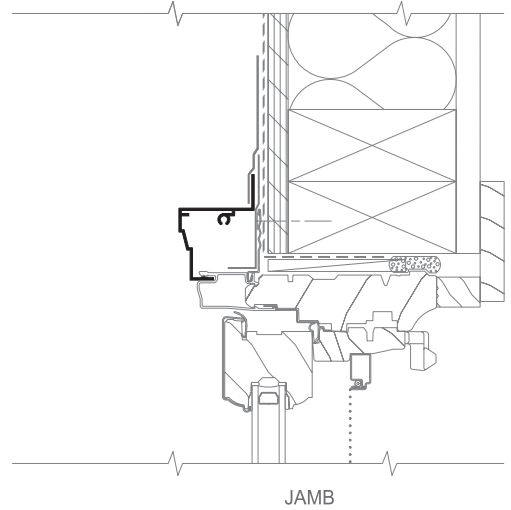
- B. **Secure trim in place** using a block of wood and a mallet.



- C. **Install siding** or exterior wall cladding.

1 PELLA TRADITIONAL TRIM INSTALLATION (CONTINUED):

D. **Apply side flashing tape.** Cut two pieces of flashing tape 4" longer than the jamb trim length. Apply one piece 1/2" onto the trim and onto the water resistive barrier on each side. The tape should extend 2" above and 2" below the jamb trim. Press the tape down firmly.



E. **Apply top flashing tape.** Cut a piece of flashing tape 2" long enough to go across the head trim and extend 1" past each side flashing tape. Apply the tape 1/2" onto the trim and onto the water resistive barrier above the trim. Press the tape down firmly.

