

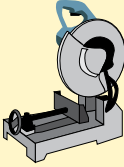




# PELLA TRADITIONAL TRIM - ASSEMBLY INSTRUCTIONS

## TOOLS REQUIRED:

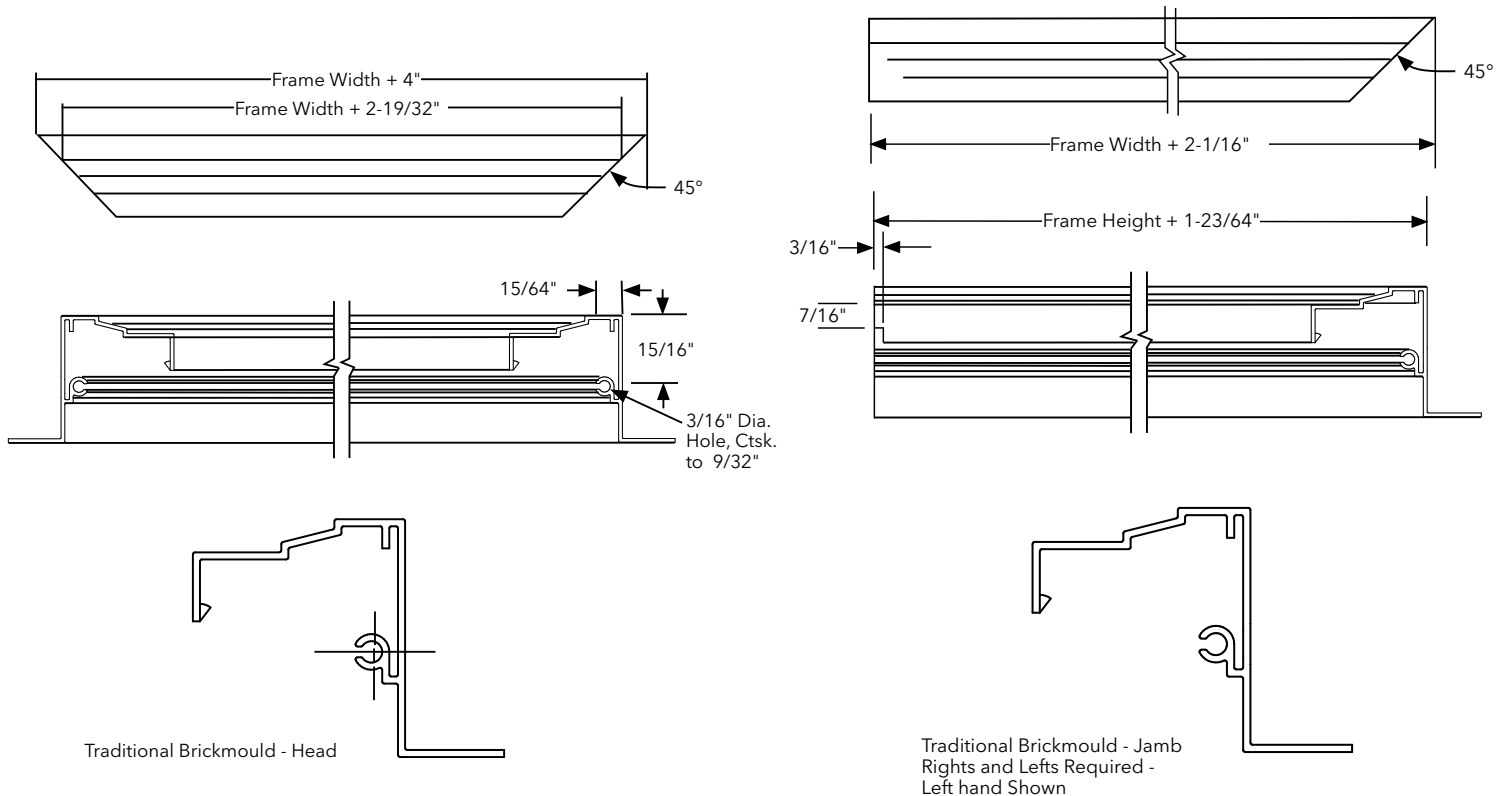
- Tape measure 
- Powered driver with bits 
- Metal cutting saw 

Pella Traditional Trim is an aluminum trim option intended to be used only as window trim. It is not a seal against air or water infiltration nor can it be used for installation of a Pella clad unit. Your Pella clad unit must be installed in typical wood frame wall construction in a wall system designed to manage water, using standard installation fins as described in the appropriate installation instructions. The Pella Traditional Trim must be installed prior to the installation of the building's siding or exterior wall cladding.

**These instructions for Pella Traditional trim cover two styles; Brickmould or Flat Trim which in 96" lengths and need to be cut, mitered, notched, and have holes drilled. For Brickmould use Step 1 and for Flat Trim use Step 2.**

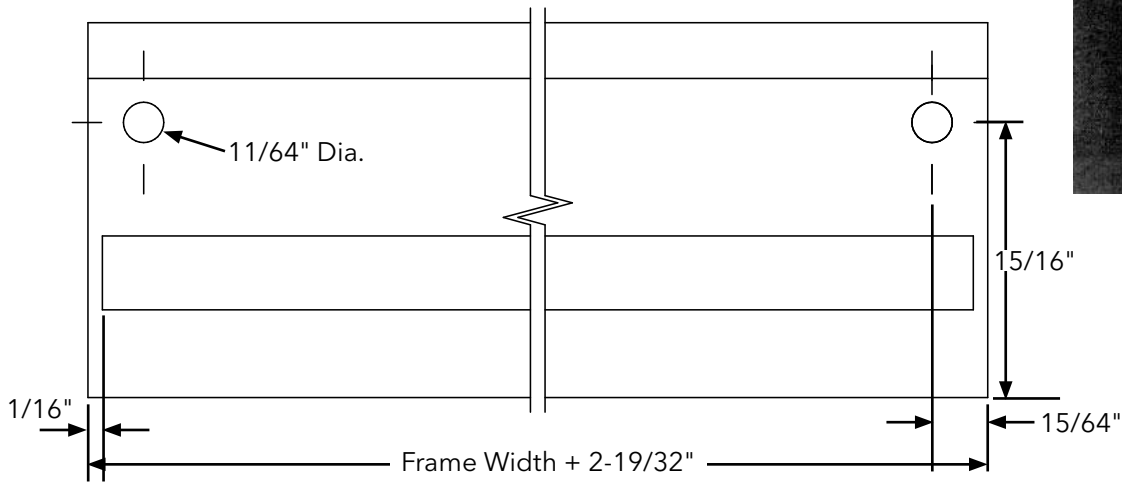
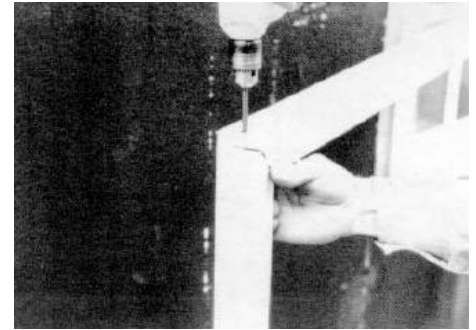
## 1 BRICKMOULD TRIM ASSEMBLY:

A. Cut to length, miter, notch and drill holes as shown.

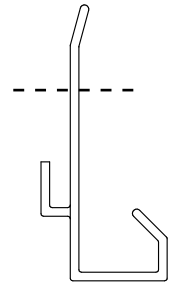


# 1 BRICKMOULD TRIM ASSEMBLY (CONTINUED):

B. Using #8 x 1-1/4" F.H. Stainless Steel screws, attach the jamb pieces to the head piece and the sill nose to the jamb pieces.

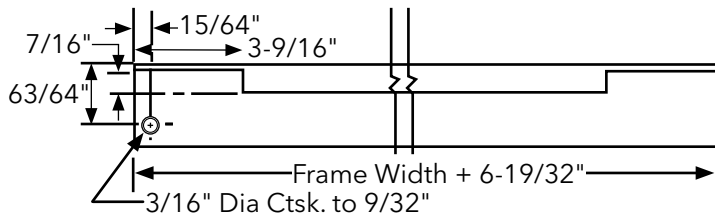


Traditional Brickmould - Sill Nose

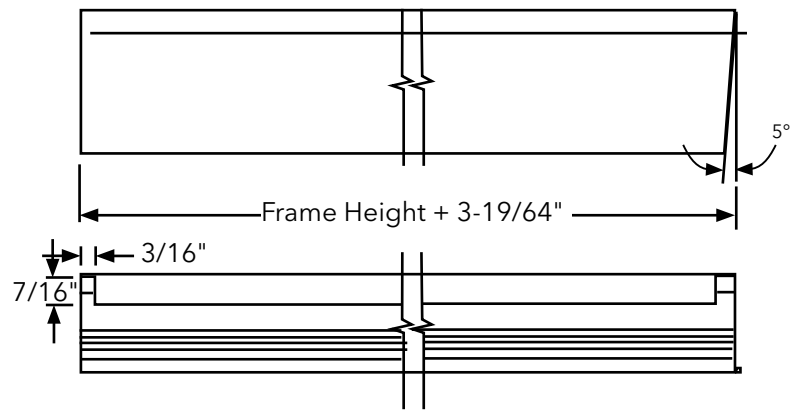
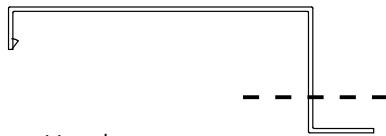


# 2 FLAT TRIM ASSEMBLY:

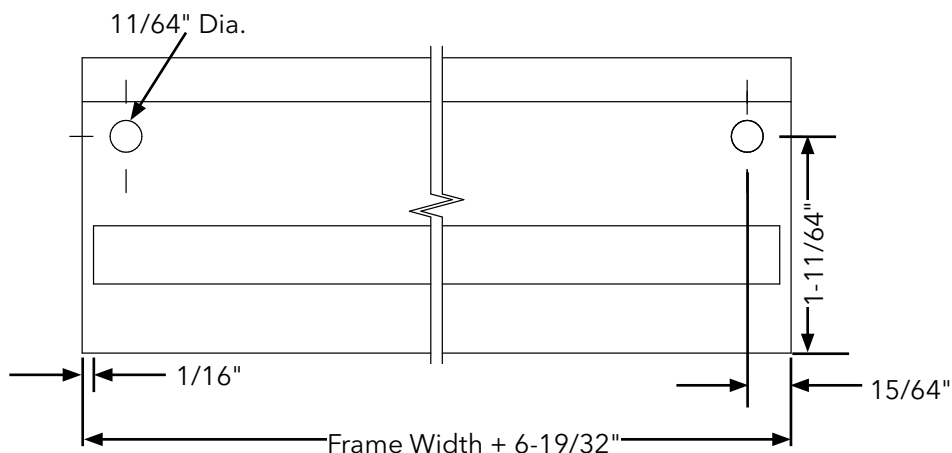
A. Cut to length, miter notch and drill holes as shown.



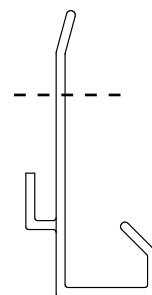
Traditional Flat Trim - Head



Traditional Flat Trim - Jamb  
Right and Lefts Required - Left Hand Shown



Traditional Flat Trim - Sill Nose



## 2 FLAT TRIM ASSEMBLY (CONTINUED):

- B. Using #8 x 1-1/4" F.H. Stainless Steel screws, attach the jamb pieces to the head piece and the sill nose to the jamb pieces.

