

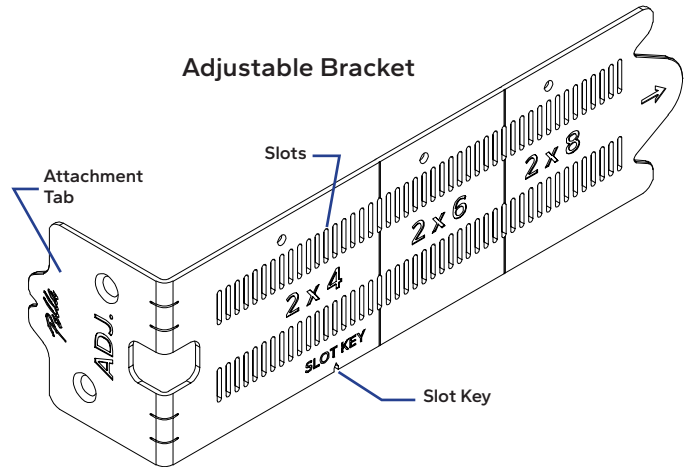


Pella® Steady Set™ Adjustable Flip and Click Bracket Instructions

TOOLS REQUIRED:

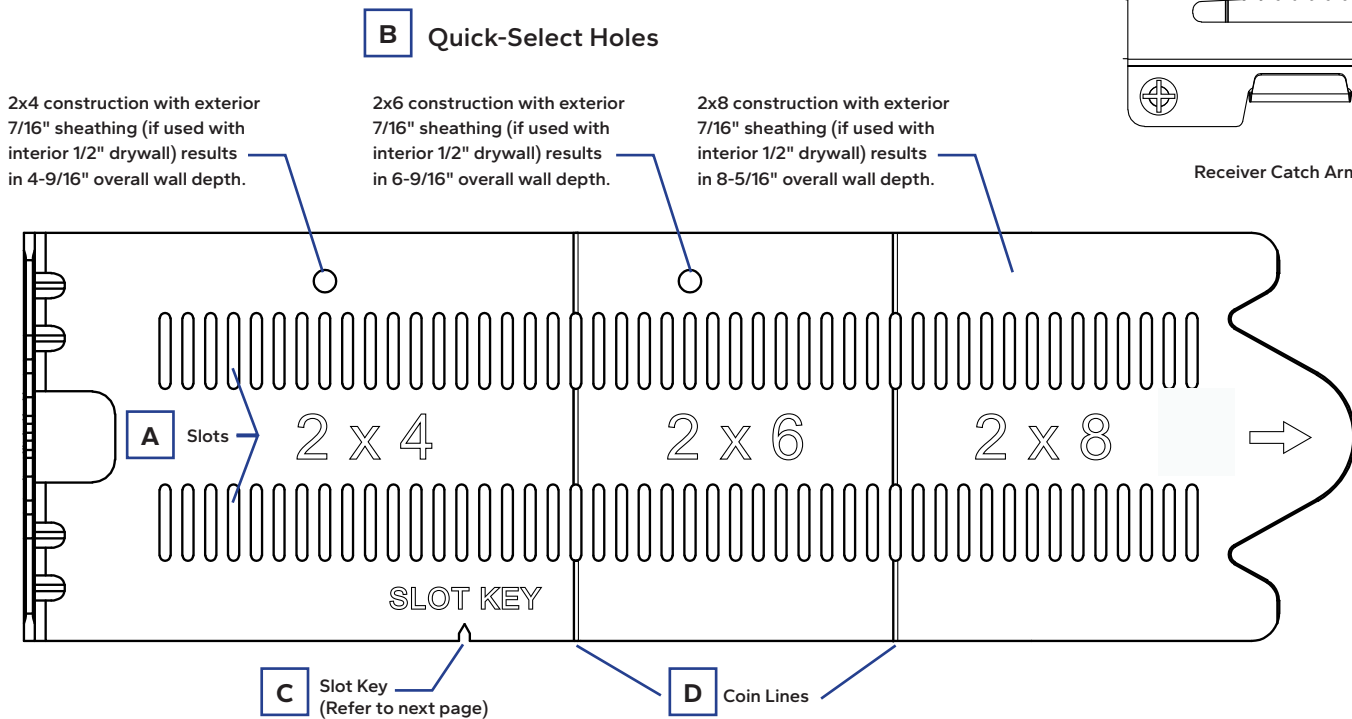
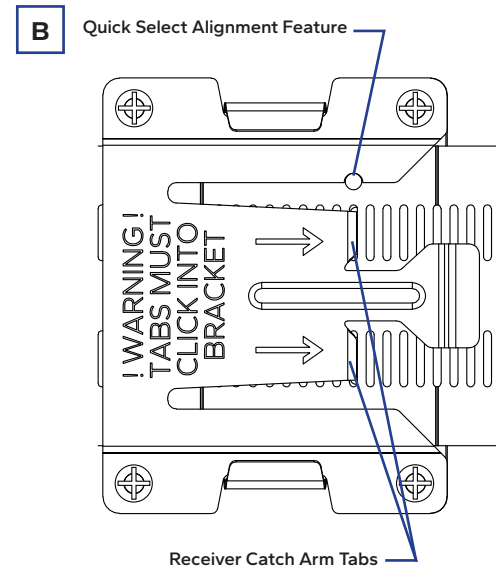
- Marker
- Framing square or level
- Flat head screwdriver

Pella's Steady Set Interior Installation method is designed to install windows from the interior of the structure. The Flip and Click L-Brackets are designed to insert and click into each of the receivers pre-attached on the window frame, locate the window at the necessary projection within the wall assembly, and anchor the window to the wall structure. There are brackets designed for 2x4 and 2x6 wall construction with 7/16" exterior sheathing. The adjustable brackets are designed for varying wall constructions ranging from 3-1/2" to 8-3/4".



ADJUSTABLE BRACKET DIAGRAM

- A. The adjustable bracket contains 46 pairs of slots spaced at 1/8" increments.** The slots will engage the bracket receiver catch arm tabs. Select or mark the appropriate slot (refer to the instructions on the following page) necessary for the project application.
- B. The three (3) holes in the bracket align with slots** that are for 2x4, 2x6, and 2x8 applications with exterior 7/16" sheathing and interior 1/2" drywall (drywall thickness applicable if ordered with factory applied jamb extensions). The hole aligns with a notch in the receiver base, for a quick-select option for traditional or more typical wall construction depths.



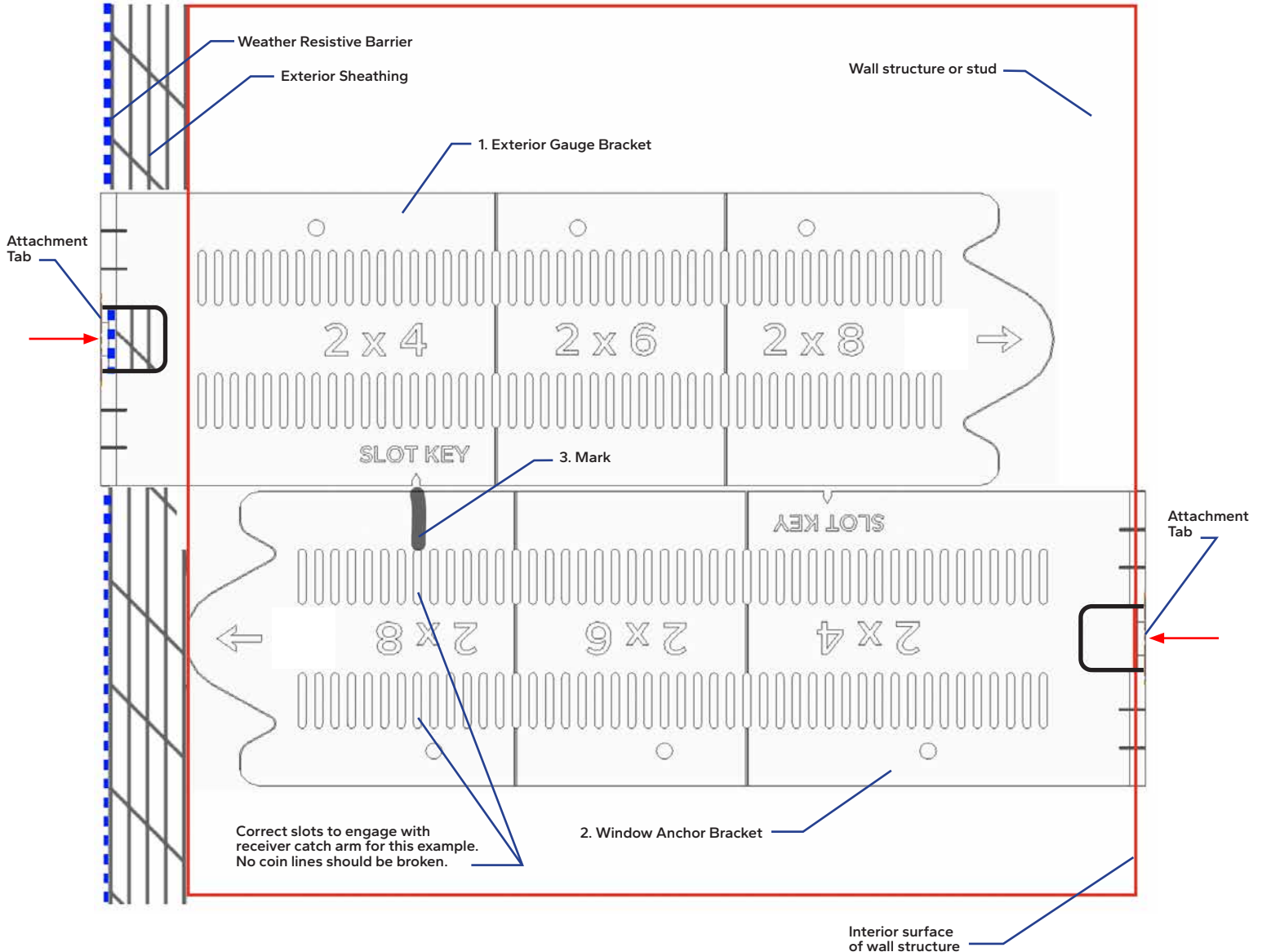
- C. The Slot Key allows the installer to use a bracket as a gauge device** to find the appropriate slot to mark on the brackets to be used for window attachment and anchoring (refer to the instructions on the following page).
- D. The two (2) coin lines allow for the bracket to be shortened for narrower wall depths.** Bend to break the bracket at the first coin line to the right of the slot (for the above bracket orientation) if required.



PELLA® STEADY SET™ – ADJUSTABLE FLIP AND CLICK BRACKET INSTRUCTIONS (CONTINUED)

HOW TO SELECT THE APPROPRIATE SLOT TO CLICK INTO RECEIVER

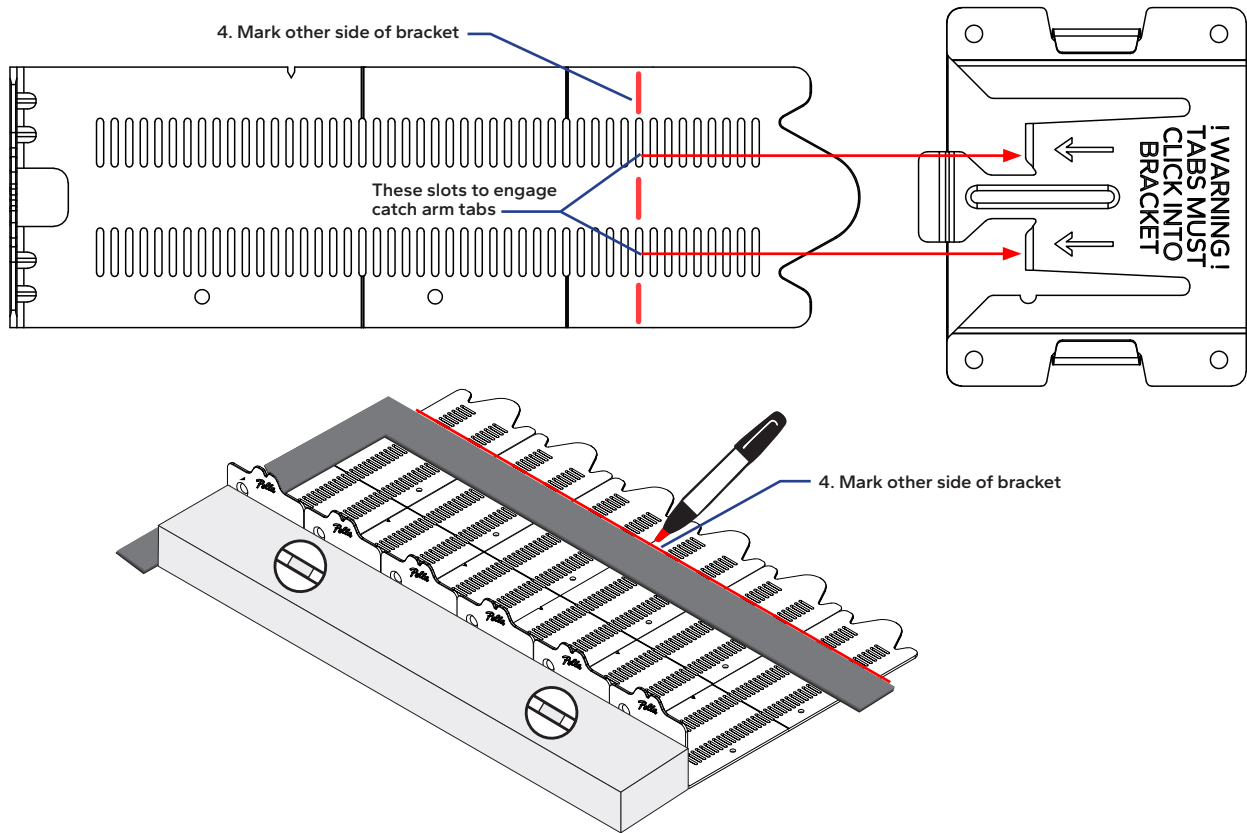
1. **Hold one (1) bracket**, which will be used as a gauge bracket, with the attachment tab held tight to the exterior of the wall. This should be the exterior plane of the wall that the flashing fin will be flashed and integrated with (typically the weather resistive barrier).
2. **Place another bracket**, which will be the window anchor bracket inserted later into the receiver for installation of the window, flipped 180 degrees and directly below the first bracket, with the attachment tab held tight to the interior of the wall structure. This is the interior plane of the wall that the adjustable bracket will be anchored to (typically the interior surface of the wall studs).
3. **While ensuring both tabs are held tight to each side of the wall**, mark the lower window anchor bracket slots that align with the Slot Key on the upper gauge bracket. **The marked slots on the lower bracket will be the the slots that should engage the receiver's catch arm.**





PELLA® STEADY SET™ – ADJUSTABLE FLIP AND CLICK BRACKET INSTRUCTIONS (CONTINUED)

4. **Transpose the mark to the other side of the bracket**, and mark the additional window anchor brackets necessary to complete one window install. This will allow the mark to be visible while inserting into the receiver and aligning with the receiver catch arm tabs. **TIP:** Align all bracket tabs and use a straight edge (level or framing square) to mark multiple brackets at once.



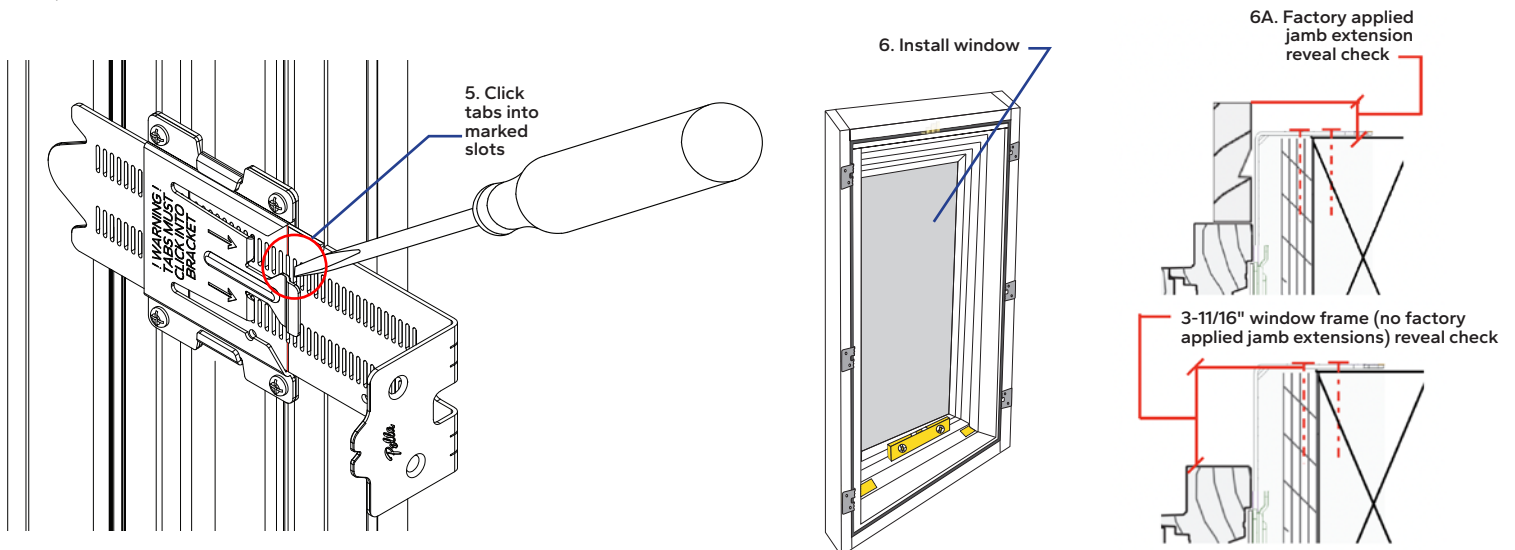
5. **Engage each bracket with the corresponding receiver catch arm tabs.**

TIP: Use a flat head screwdriver slide under the receiver catch arm and slightly twist. This helps to hold the receiver catch arm up, while selecting the appropriate slots. Take care to not over-bend or lift the catch arm tab farther than necessary, or it will not click down to properly engage the bracket slots.

6. **Install the window.** Refer to the Quick Start Guide on the glass or the installation booklet for Steady Set window installation instructions.

A) Check for the correct interior reveal (it should match the expected drywall thickness if factory jamb extended, or measure from inside of window frame to inside of wall structure).

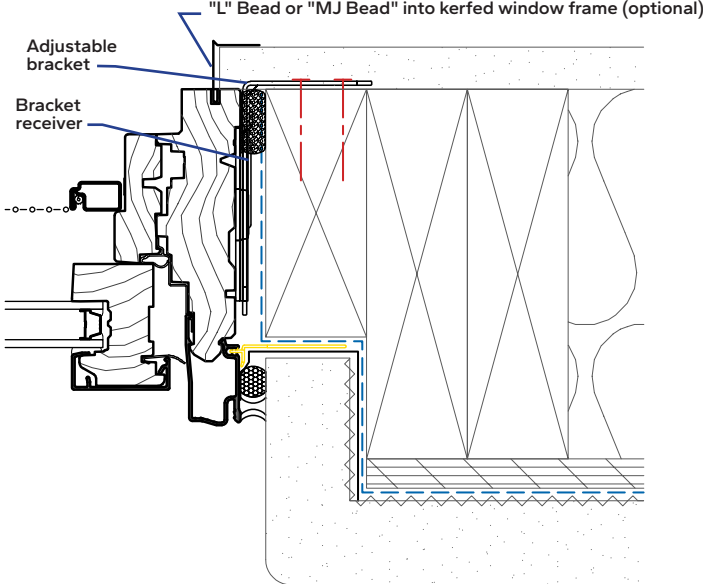
B) Ensure the exterior flashing fin is correctly able to be integrated with the weather barrier.



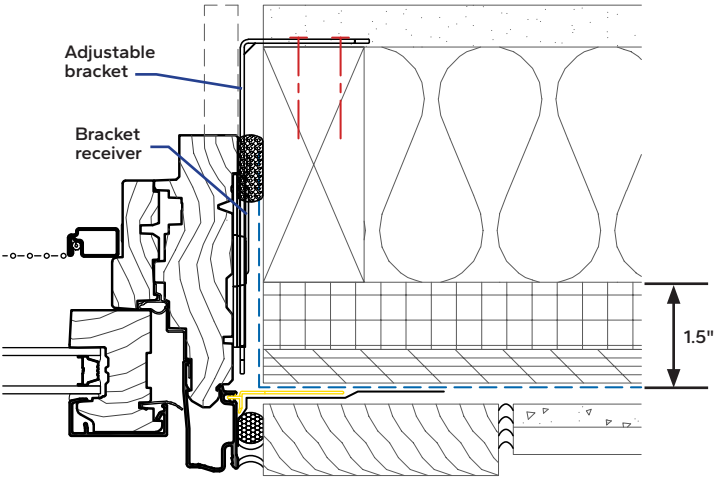
7. **If the marked slot results in the desired window location within the wall system**, mark the remainder of the window anchor brackets necessary and continue with additional window installations. If not, adjust the catch arm tab to the appropriate slot, and re-mark additional brackets as necessary.

Example Installation Details

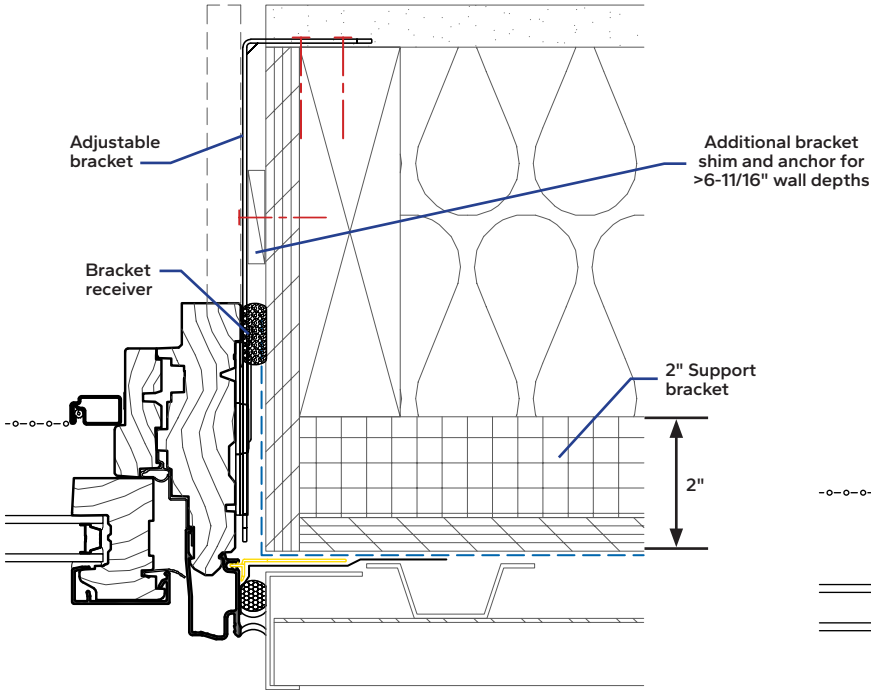
2x4 Recessed Buck within 2x6 Wall Structure



2x4 with Zip R6 Insulated Sheathing



2x6 with Zip R9 and Zip 7/16" Sheathing Returned into Opening



Wood Buck in Masonry Construction

