

**INSTALLATION INSTRUCTION - INSTRUCCIONES DE INSTALACIÓN**  
**SLOPED SILL ADAPTER and HEAD EXPANDER**  
**FOR SINGLE-HUNG, FIXED AND SLIDING WINDOWS**

**TOOLS AND SUPPLIES REQUIRED:**

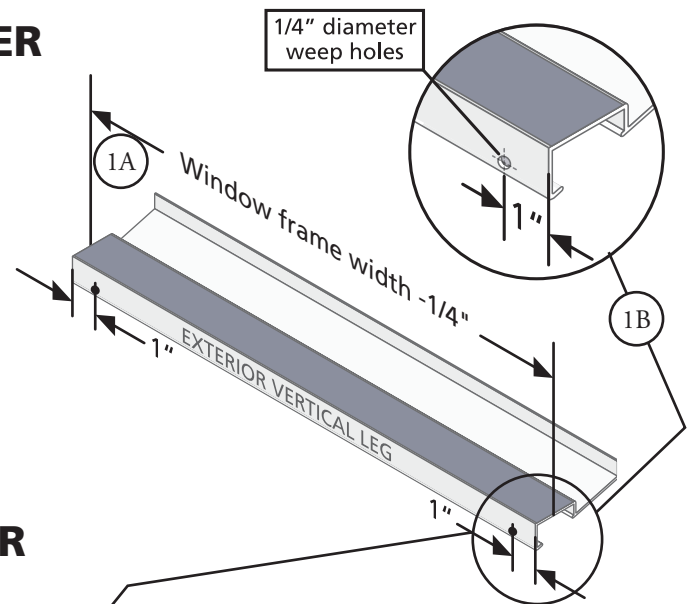
- Tape Measure
- 1/16" and 1/4" drill bit
- Drill
- Hack Saw
- #6 x 1/2" sheet metal screws (2)



## SLOPED SILL ADAPTER:

### 1 PREPARE THE SLOPED SILL ADAPTER

- Measure the length of the sloped sill adapter.**  
Ensure it measures 1/4" less than the window frame width. If the part length is too long, use a hack saw to cut the sill adapter to the correct length.
- Drill 1/4" diameter weep holes 1" from each end at the bottom of the exterior vertical leg of the sloped sill adapter.**

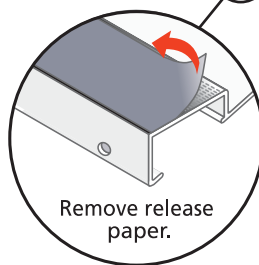


### 2 INSTALL THE SLOPED SILL ADAPTER

- Prepare the window.** Ensure the sill of the window is clean and dry, then lay the window interior side down on a smooth clean surface.

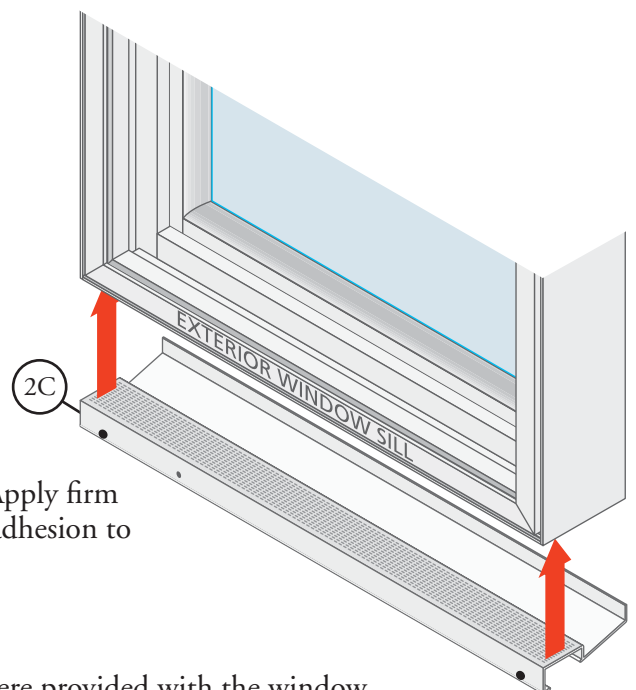
- Remove the release paper** from the adhesive area of the sloped sill adapter.

*Note: DO NOT allow the adhesive strip to contact the window frame until the adapter is in the correct position.*



- Position the sloped sill adapter** on the sill of the window, centered between the jambs.

- Press the sloped sill adapter onto the sill of the window.** Apply firm pressure to the adapter at the tape location to ensure proper adhesion to the window frame.

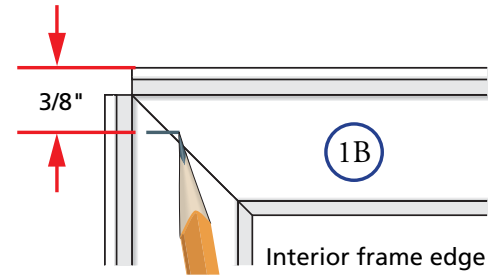


- Install the window** using the installation instructions that were provided with the window.

# HEAD EXPANDER:

## 1 PREPARE THE HEAD EXPANDER

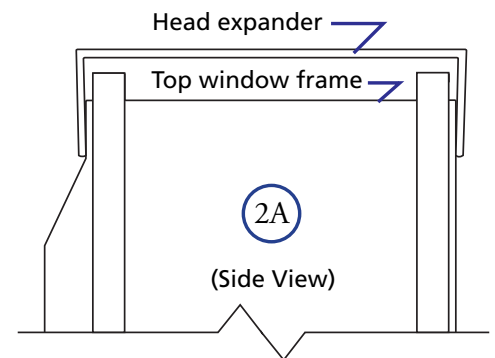
- A. **Measure the length of the head expander.** Ensure it is the same width as the window frame. If the part is too long, use a hacksaw to cut the head expander to the correct length.
- B. **Make a pencil mark  $3/8$ "** from the top of the window on the room side edge of each jamb.



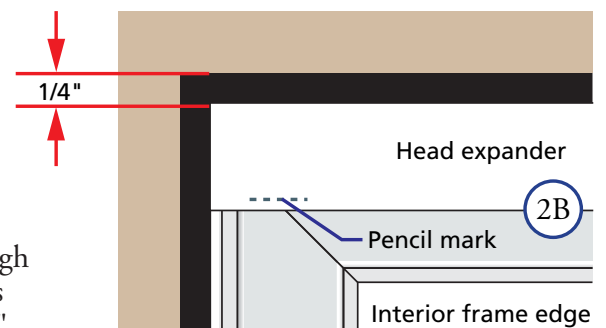
## 2 INSTALL THE HEAD EXPANDER

- A. **Install the head expander on the top of the window frame.** Slide the expander down onto the head as far as it will go.
- B. **Test fit the window** into the opening. Slide the head expander up until the top of the head expander is within  $1/4$ " of the top of the existing opening. Ensure the pencil marks are not visible. If the pencil mark is visible, the expander is extended too far.

*Note: If the expander extends past the pencil mark it may be necessary to shim the original sill or to order a larger window.*



- C. **Secure the head expander** by drilling two  $1/16$ " pilot holes through the room side leg of the head expander into the frame. These holes are to be 2" from each end of the head expander. Insert a #6 x  $1/2$ " sheet metal screw into each hole.



- D. **Install the window** using the installation instructions provided with the window.